

PRODUCT CATALOGUE · TP 100, 165 & 175



MOBILE, SIMPLE & INNOVATIVE

Reliable machines designed
for demanding users





RELIABLE WOOD CHIPPING
PERFECT RESULTS

WE CAME FROM THE WOODS

Our history began in 1980 with the manufacture of wood chippers for forest clearing and chip production. Our TP wood chippers are the product of our professional approach to wood chip quality and development.

TP forestry wood chippers are famous worldwide. Denmark is a flat country where trees are planted in straight rows, but this does not prevent us from having a presence in a market that needs quality products that will stand the test of time for many years.

100% DANISH

TP wood chippers are rotary disc chippers. We are experts in this technology but continue to push our limits and continue to develop our products. Our products are 100% Danish Designed and all our manufacturing takes place in Denmark. Assembly and installation all takes place at our own factory. Our ownership is Danish.



FOCUSING ON QUALITY AND DEVELOPMENT

The high-technological production quality of our products is obvious. We use optical fibre lasers, bending machines and welding robots. We do our own CNC processing and powder coating. We use a special two powder coat paint treatment, which has the C4 class corrosion certification. We buy quality components from Danish subcontractors, including Danfoss, SKF and Linak.



3-YEAR WARRANTY

With a full 3-year warranty, we can fully vouch for the quality of our machines. Our TP WARRANTY covers all of the components, including engine, hydraulic components, gears etc. The only thing that is not covered by the warranty is painting and standard wearing parts such as knives.



**Particularly useful
in confined spaces**

TP 100 MOBILE

EFFICIENT GREEN CLEANER

TP 100 MOBILE is ideal for thinning out bushes and chipping branches and trees up to 100 mm in diameter in gardens, municipalities, cemeteries, housing societies, etc.

Owing to the vertical in-feed funnel, the TP 100 MOBILE is a compact machine that does not take up much space. Width is only 74 cm.

The construction also results in a strong in-feed without the use of feed rollers.

FEATURES

- Robust drum woodchipper
- Funnel 55° from level
- Two reversible blades and one reversible countersteel
- E-Start
- Petrol engine, tank capacity 20 l



100 mm



20 HP



8-20 mm



314 kg



Foot brake stabilization



2 reversible knives. 1 reversible counter knife in wear-resistant steel



Width: 74 cm. Weight: 314 kg



2-cylinder air-cooled HONDA petrol engine with electronic ignition

Compact flexibility for green keeping



TP 165 MOBILE

PETROL POWER – FOR GREENER EMISSION

TP 165 MOBILE 7" (Petrol) light-weight, easy-to-handle, and manoeuvre wood-chipper. Ideal for landscaping and hire tasks. The twin hydraulic rollers result in a strong and aggressive in-feed. The functions of the no-stress system, TP PILOT, include hour counter and control of start and stop of the feed rollers.



175 mm



24 HP



12 mm



680 kg



Manual coupling



Kohler Pro / HONDA petrol engine

FEATURES

- Two aggressive in-feed rollers (variable speed)
- Roller opening 175x191 mm (7")
- Wide funnel 920 mm
- Fixed spout standard – Vario spout (option)
- TP Pilot – no stress control
- Sub 750 kg
- Clutch and E-Start
- Easy-Service (1 tool, 2 knives, 3 minutes)
- Variable roller speed

Best in Class sub 750 kg



TP 175 MOBILE V

“SIX PACK” DIESEL POWER

The TP 175 Mobile diesel is the only 7” sub 750 kg on the market to chip log diameter up to 175 mm. High capacity combined with low weight make the woodchipper ideal for various jobs.

The TP PILOT+ no stress control upgrade and TP EASY CONTROL reverse function make your working day even more efficient. TP VARIO SPOUT, a manually height-adjustable ejector spout with five operating positions adds flexibility during the job, transportation and storing.



TP PILOT+ with TP Starter – Automatic clutch system coupling/uncoupling belts



TP VARIO SPOUT. Adjustable height with 5 out-put positions



High torque–4 cyl. Kohler or 3 cyl. Kubota



TP Easy Control with Reset – Reverse – Go Function

FEATURES

- Two aggressive in-feed rollers (variable speed)
- Roller opening 175x191 mm (7") / Wide funnel 920 mm
- Exhaust fumes through spout
- Fixed spout standard – Vario spout (option)
- TP Easy Control – reverse function
- TP Pilot+ with Range Control and information centre
- Sub 750 kg
- TP Starter – automatic clutch system
- Easy-Service (1 tool, 2 knives, 3 minutes)



175 mm



24 HP



4-12 mm



749 kg



TP 175 MOBILE P

PETROL POWER – GREENER EMISSION

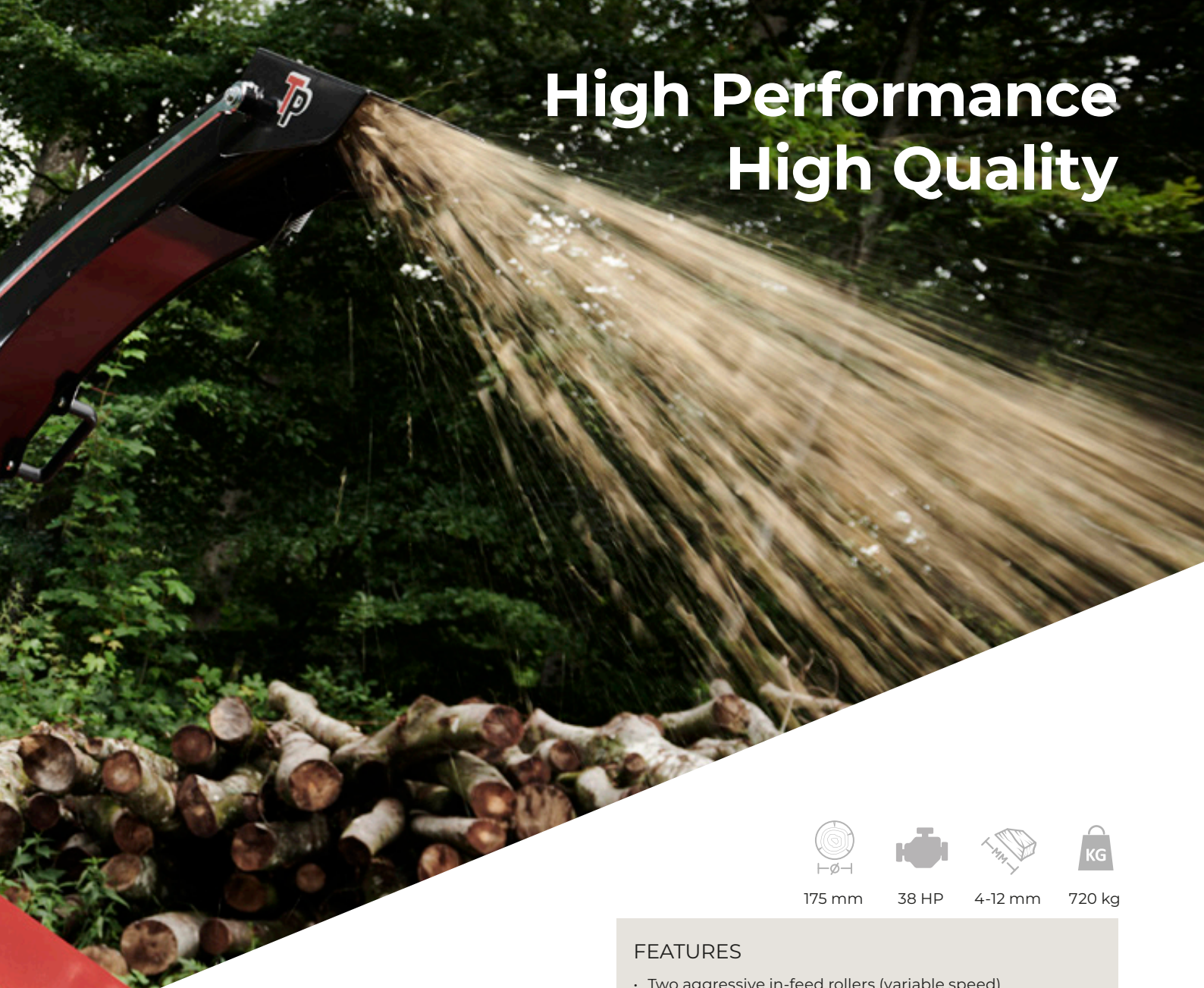
Petrol variant of the TP 175 Mobile 7" family that all offers the operator the optimum and efficient working and daily service conditions.

The TP OPTICUT knife system (two displaced knives) results in less vibrations and higher capacity as the knives are engaging the material continuously.

The ideal tool for the landscaper, arborist and gardener.

Stage V engine with electronic integration.

High Performance High Quality



175 mm



38 HP



4-12 mm



720 kg

FEATURES

- Two aggressive in-feed rollers (variable speed)
- Roller opening 175x191 mm (7") / Wide funnel 920 mm
- Fixed spout standard – Vario spout option
- TP Easy Control – reverse function
- TP Pilot+ with Range control and information center
- Sub 750 kg
- TP Starter – automatic clutch system
- Easy-Service (1 tool – 2 knives – 3 minutes)



TP E-STOP is standard for operator safety



Displaced blades (2 pcs.) constantly engaging material



Powerful Kohler EFI engine

TP 175 MOBILE ZE

100% ELECTRIC – NO FUMES – LESS NOISE

Only 7" and 100% Zero emission disc chipper on the market. The environmental footprint of the TP 175 ZE is minimal. The 65 volts LMC electric engine of the woodchipper comes with a torque of up to 100 Nm and has plenty of power to save.

The 195-325 amp capacity of the Lithium-ion battery pack ensures approx. 3-5 hours of operation with mixed material.

CO₂ COMPARISON

	TP 175 MOBILE ZE	TP 175 MOBILE P	TP 175 MOBILE TRACK
1 hour	0.9 kg	26 kg	9.6 kg
100 hours (consumption)	275 kg (1250 kW)	3305 kg (1056 liters)	1756 kg (493 liters)

FEATURES

- Up to 5 hours (mixed material)
- Less noise, no fumes
- Charging from 0% - 100% ~ 7 hours (230V-16A)
- Low daily maintenance / costs
- Two aggressive in-feed rollers (variable speed)
- Roller opening 175x191mm (7") / Wide funnel 920 mm
- TP Pilot+ with Range control and information centre
- Easy-Service (1 tool, 2 knives, 3 minutes)
- LMC motor: Eco (70Nm) Standard (85Nm) and Boost (100 Nm)
- Weight for 195-260 amp <750kg*
Weight for 325 amp 792kg



175 mm



85-100 Nm



4-12 mm



<750 kg*



Integrated charger: 230V 16A 65V and cable



City and Eco-friendly LMC engine. Reduced noise level.



195 amp (3 hours) 260 amp (4 hours) 325 amp (5 hours)
Lithium battery (LiNiMnCoO₂ 65V) provides up to 3,4,5 hours of operation



Zero emission for
greener work



TP 175 TRACK

FEATURES

- Scanreco Remote control for operator safety
- Electric winch with drawing power of 2722 kg. / Tow bar 1000 kg. (options)
- Exhaust fumes through spout
- Best ground clearance on the market 200 mm / belts move in/out
- Roller opening 175x191mm (7") / Wide funnel 920 mm
- Easy-Service (1 tool – 2 knives – 3 minutes)

SIX PACK DIESEL POWER

TP 175 TRACK (7") with Scanreco Remote Control as a standard for operator safety and gas handle for high-speed tracking is designed for jobs where you cannot bring your car and a wheeled woodchipper.

The track is operated with a user-friendly control panel, from which both speed and track width can be controlled.

Electric winch for climbing steep grounds and tow bar for bringing your trailer to the material are options that will make your green work easier.



High torque Kubota engine



TP winch for climbing steep grounds.
Best Ground clearance on market:
200mm Track width: 1150-1300mm.
Reinforced hose protection



175 mm



24 HP



4-12 mm



1150 kg

Track for all-round use on uneven ground



100% ELECTRIC – NO FUMES – LESS NOISE

Only 7" and 100% Zero emission disc chipper on the market. The environmental footprint of the TP 175 TRACK ZE is minimal. The 65 volts LMC electric engine of the woodchipper comes with a torque of up to 100 Nm and has plenty of power to save.

The 325 amp capacity of the Lithium-ion battery pack ensures approx. 5 hours of operation with mixed material.

TP 175 TRACK ZE

FEATURES

- Up to 5 hours (mixed material)
- Less noise, no fumes
- Charging from 0% - 100% ~ 7 hours (230V-16A)
- Low daily maintenance / costs
- Two aggressive in-feed rollers (variable speed)
- Roller opening 175x191mm (7") / Wide funnel 920 mm
- TP Pilot+ with Range control and information centre
- Easy-Service (1 tool, 2 knives, 3 minutes)
- LMC motor: Eco (70Nm) Standard (85Nm) and Boost (100 Nm)



Safety and comfort with remote control panel



325 amp (5 hours).
Lithium battery (LiNiMnCoO₂ 65V) provides up to 5 hours of operation



175 mm



85-100 Nm



4-12 mm



1150 kg



TechsHEET

SAFETY AND SERVICE



TP E-STOP

OPTIMUM SAFETY FOR THE OPERATOR

TP E-STOP is the safety equipment consisting of two or four emergency stop switches located on top of the funnel, and on the sides of the funnel (the latter for some models). When one of the four emergency stops is activated, the in-feed rollers stop rotating. The emergency stop button must be reset before the rollers re-activate.

- TP E-STOP and additional optional safety kit consisting of either 2 or 4 E-STOP switches (located on the top and on the side of the funnel)
- By activation feed rollers stop rotating
- Ideal for rental/for unskilled employees

ORIGINAL WEAR PARTS – FOR SAFETY'S SAKE

TP Woodchippers are built to deal with tough materials, but wear parts don't last forever. We always recommend that you use original wear- and spare parts. They should be replaced according to our information and guidelines.

By doing so, you achieve better wood-chip quality and better fuel consumption. At the same time, you optimise reliability and extend the lifetime of the woodchipper. We even continue to supply parts for TP woodchipper models that have been in operation for over 20 years!



HOMOLOGATION/APPROVALS

The hot-dip galvanized trailer and chassis are supplied from ALKO. Trailer includes overrun brake. The woodchippers are delivered with a Certificate of Conformity to show that they are fully homologated and compliant with the European Directive 2007/46/EC. All TP woodchippers comply with all existing safety standards (EN 13525)



TP SERVICE BOX

TO KEEP YOU RUNNING SMOOTHLY

A TP SERVICE BOX contains all critical wear parts that are appropriate for each TP woodchipper. For example, knives, counter knives, scrapers, hydraulic filter and of course nuts and bolts.

With the box close at hand, you are always guaranteed optimum operation – even when you are out in the grounds, far from stores and workshops.

Optional for all TP woodchippers.

FEATURES FOR TP 165 - TP 175



GENERAL FEATURES

TP 165/175 WHEELED AND TRACKED VARIANTS

- Stage V Compliant
- EC vehicle Type-approval Certificate
- Overrun braked trailer (hot-dip-galvanized) from AL-KO
- High capacity (up to 4-10 m³/hour)
- Safety first – TP-E-Stop



TP PILOT+

PROBLEM-FREE OPERATION (NEW GENERATION)

- No stress control
- TP Auto Reverse function
- Rotor rotations and working hour control function
- TP E-Stop activated (TP 175 V, TP 175 P and TP 175 ZE)



TP STARTER™

PROLONGS ENGINE LIFE-TIME

- Automatic clutch system coupling/uncoupling belts
- Easy machine start-up/shut-down

(TP 175 V, TP 175 P and TP 175 Track)



TP OPTICUT

DISPLACED BLADES (BLADE SYSTEM)

- Displaced blades (2 pcs.) constantly engaging material
- Less vibrations / steadier strain
- Optimized and low fuel consumption
- Uniform chip quality



TP TWIN DISC™

DOUBLE THE DISCS – DOUBLE THE STRENGTH

- Light weight with heavy weight ranking
- Unique and solid construction inspired by the bees
- Strong out-blow



TP VARIO SPOUT™

ADJUSTABLE HEIGHT FOR FLEXIBLE OUT-PUT

- 5 out-put positions (max. height 244 cm)
- 270 degree rotation
- Low storage/transport position (from 175 cm)



STRONG ROLLERS

INFEED ROLLERS MADE OF HARDOX STEEL

- Two infeed rollers
- Roller opening: 175x191 mm (horizontal)
- Hydraulic adjustable infeed speed (chipsizes 4-12 mm)
- One strong spring



TP EASY CONTROL

RESET – REVERSE – GO FUNCTION

- Quick and easy electronic re-start after activation of safety bar
- Placed on both sides of the funnel
- Reset for optional safety

(TP 175 V, TP 175 P and TP 175 ZE)



EASY & SAFE SERVICE

SERVICE FRIENDLY LIKE NO OTHER

- 1 tool – 2 knives – 3 minutes (rotor lock eases the job)
- Easy access for daily maintenance and lubrication
- No need for special tools
- Engine and machine components fully protected



EMISSION

CLEAN WORKING ENVIRONMENT

- Exhaust through spout
- Unique concept
- No smoke to the user

For TP 175 only



HYDRAULIC SYSTEM

GREATER EFFECT AND OPERATIONAL RELIABILITY

- Integrated hydraulic system with own pump, tank, and filter
- Ensures correct pressure and oil level
- Minimizes power consumption



WARRANTY

3 YEAR WARRANTY

- Extended for essential components
- Wear parts not included

COMPARE MODELS



	TP 100 MOBILE	TP 165 MOBILE	TP 175 MOBILE V
Max. wood diameter	100 mm	175 mm	175 mm
Roller opening	150 x 275 mm	175 x 191 mm	175 x 191 mm
Engine make	HONDA	Kohler Pro HONDA	Kohler LDW 1404 Kubota D1305-E4B
Engine power HP/kW	20 HP / 14 kW	24 HP / 17 kW	24 HP / 18,5 kW
Number of cylinders	2	2	4 / 3
Torque	40 Nm	52 Nm	80 Nm
Control unit	E-Start	TP PILOT+	TP STARTER / TP PILOT+
Fuel	Petrol	Petrol	Diesel
Tank size	20 litres	25 litres	20 litres
Fuel consumption	3 l/h	5 l/h	3 l/h
Capacity/hour	3 m ³	4 m ³	10 m ³
Woodchip size	8-20 mm	12 mm	4-12 mm
Adjustable woodchip size	No	Yes	Yes
Woodchip standard	-	G30/G50*	G30/G50*
Feed rollers	1	2	2
Roller position	Horizontal	Horizontal	Horizontal
Chipper type	Drum chipper	Disc chipper	Disc chipper
In-feed angle	Parallel to direction of travel	Parallel to direction of travel	Parallel to direction of travel
Chipping angle	55°	90°	90°
TP E-STOP™	Yes	Yes	Yes
TP EASY CONTROL™	No	No	Yes
TP OPTICUT	No	Yes	Yes
Number of knives/counterknives	2/1	2/2	2/2
Disc diameter/weight	410 mm / 48 kg	599 mm / 69 kg	599 mm / 69 kg
Noise level, in acc. with directive 2000/14/EC	124 dB	124 dB	124 dB
Funnel height (above ground)	1551 mm	654 mm	654 mm
Funnel width (inside)	690 mm	920 mm	920 mm
TP VARIO SPOUT	No	Optional	Optional
Weight	300-314 kg	680 kg	749 kg
Width (operation, max.)	36 mm	1416 mm	1416 mm
Height (operation, max.)	1734 mm	1750 mm (2440 mm)	1750 mm (2440 mm)
Length (operation)	2335 mm	3515 mm (4013 mm)	3515 mm (4013 mm)

*Requires a fitted TP CHIP KIT (optional).

To learn more about TP CHIP KIT and G standards, go to www.tpchipper.com



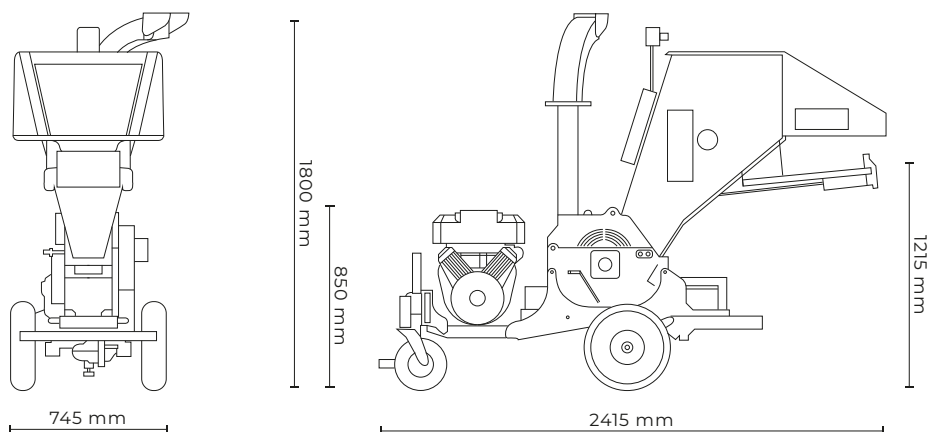
TP 175 MOBILE P	TP 175 MOBILE ZE	TP 175 TRACK	TP 175 TRACK ZE
175 mm	175 mm	175 mm	175 mm
175 x 191 mm	175 x 191 mm	175 x 191 mm	175 x 191 mm
Kohler EFI 980	LMC med LI-ION Battery	Kubota D1305-E4B	LMC med LI-ION Battery
38 HP / 27 kW	-	24 HP / 18,5 kW	-
2	-	3	-
79 Nm	70-100 Nm	80 Nm	70-100 Nm
TP STARTER / TP PILOT	TP PILOT+	TP STARTER / TP PILOT+	TP PILOT+
Petrol	Battery	Diesel	Battery
20 litres	195-325 Amp	20 litres	325 Amp
6 l/h	-	3 l/h	-
8 m ³	8 m ³	10 m ³	8 m ³
4-12 mm	4-12 mm	4-12 mm	4-12 mm
Yes	Yes	Yes	Yes
G30/G50*	G30/G50*	G30/G50*	G30/G50*
2	2	2	2
Horizontal	Horizontal	Horizontal	Horizontal
Disc chipper	Disc chipper	Disc chipper	Disc chipper
Parallel to direction of travel	Parallel to direction of travel	Parallel to direction of travel	Parallel to direction of travel
90°	90°	90°	90°
Yes	Yes	Yes	Yes
Yes	Yes	No	Yes
Yes	Yes	Yes	Yes
2/2	2/2	2/2	2/2
599 mm / 69 kg	599 mm / 69 kg	599 mm / 69 kg	599 mm / 69 kg
124 dB	124 dB	124 dB	124 dB
654 mm	654 mm	679 mm	679 mm
920 mm	920 mm	920 mm	920 mm
Optional	Optional	Optional	Optional
721 kg	< 750 kg - 792 kg	1150 kg	1150 kg
1416 mm	1416 mm	1150 mm (1300 mm)	1150 mm (1300 mm)
1750 mm (2440 mm)	1750 mm (2440 mm)	1900 mm (2440 mm)	1900 mm (2440 mm)
3515 mm (4013 mm)	3515 mm (4013 mm)	2571 mm (3123 mm)	2571 mm (3123 mm)

*Requires a fitted TP CHIP KIT (optional).

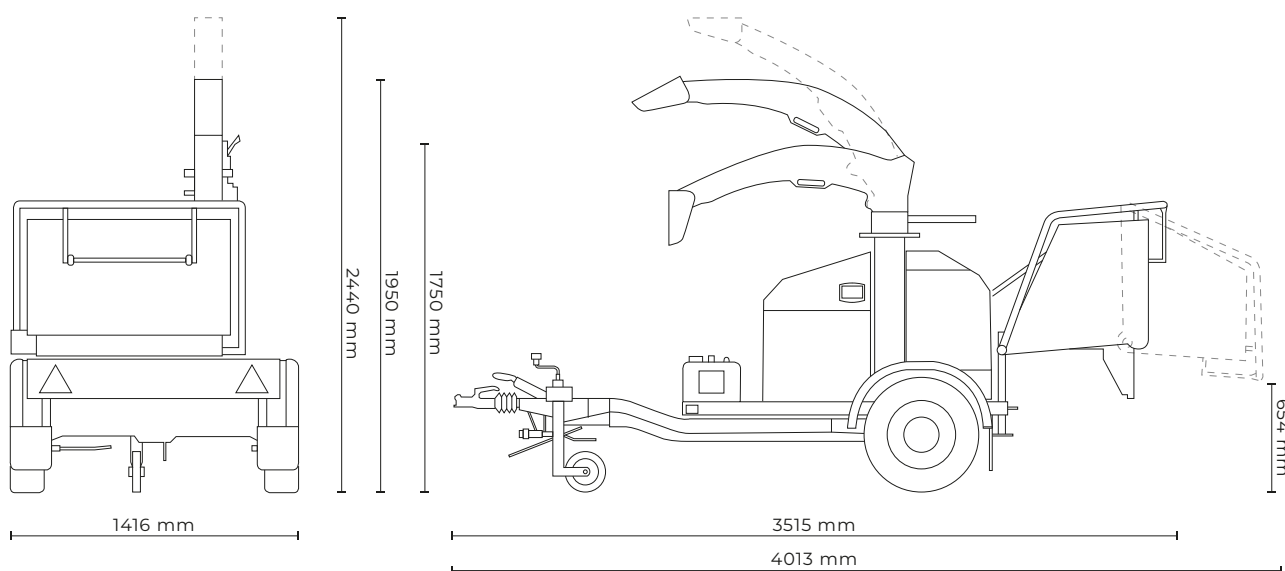
To learn more about TP CHIP KIT and G standards, go to www.tpchipper.com

TECHNICAL DRAWINGS

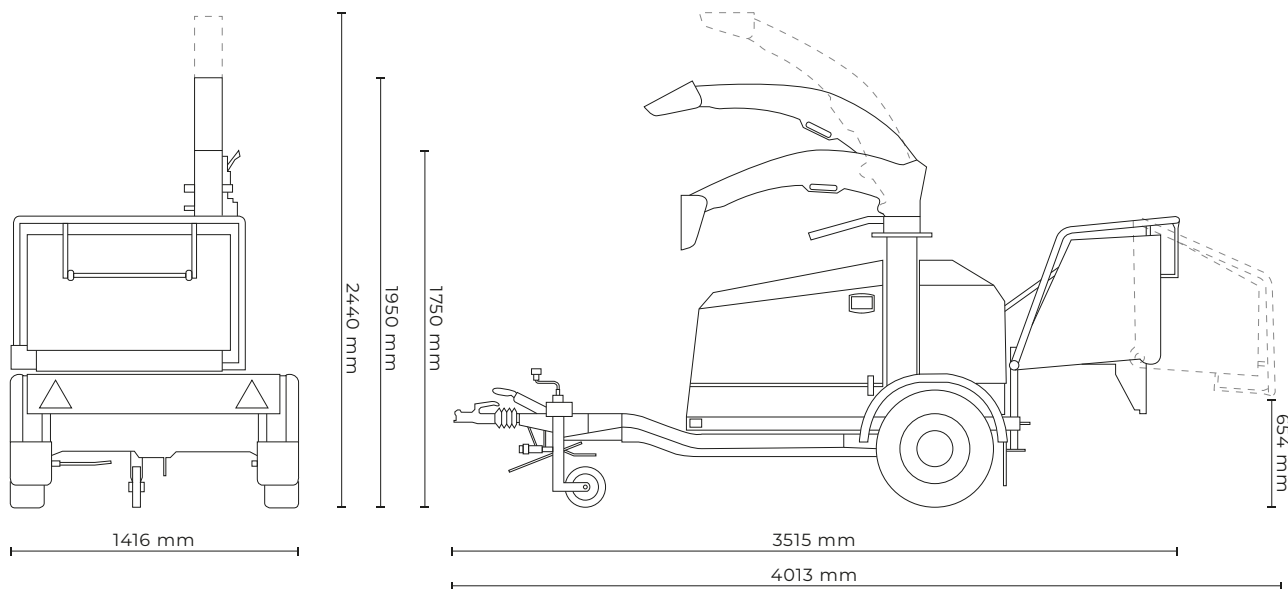
TP 100 MOBILE



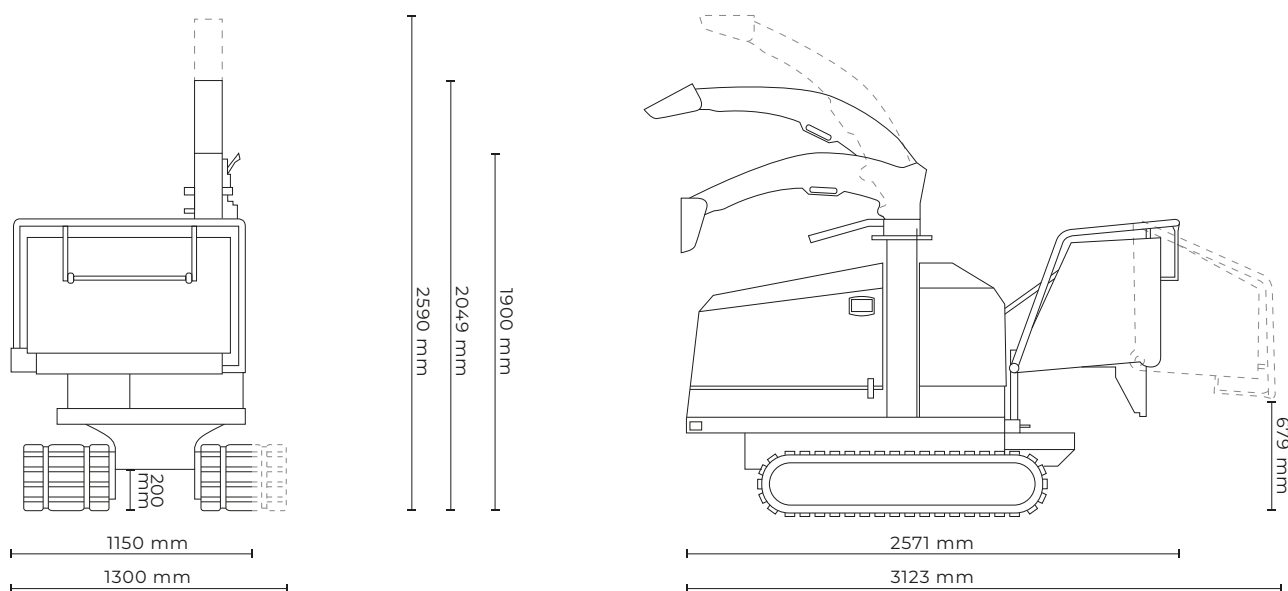
TP 165 MOBILE



TP 175 MOBILE • TP 175 MOBILE ZE



TP 175 TRACK • TP 175 TRACK ZE





LINDDANA A/S

Linddana A/S
Ølholm Bygade 70
7160 Tørring, Denmark

Tel.: +45 75 80 52 00
tp@linddana.com
www.linddana.com

TELEPHONE AND OPENING HOURS (CET)

Monday - Thursday 08:00 - 16:00
Friday 08:00 - 15:30

SPARE PARTS

Monday - Thursday 07:30 - 15:00
Friday 07:30 - 14:00

WOOD CHIPPERS SINCE 1980

Linddana has designed, manufactured and marketed TP Wood Chippers since 1980. Today, this Danish company is one of the world leaders in its field. Linddana supplies a strong selection of functional and reliable wood chippers for landscaping and biomass production.

TECHNOLOGY AND PEOPLE

Linddana's strong international position is founded on extensive technical expertise and a commitment to high quality, both in the selection of materials and in manufacturing processes. By combining skilled workmanship and using the latest manufacturing technology, we maintain the highest quality standards.



Dealer