



World-class turf maintenance equipment

OPERATING INSTRUCTIONS

TWIN PLAY and SINGLE PLAY

MACHINE REFERENCE

Twin Play TWP/6
Single Play .. SP/6

SERIAL NUMBER

.....

CN CODE

8432 29 10

SISIS SINGLE PLAY WITH FLEXICOMB



SISIS, Ashbourne Road, Kirk Langley, Derbyshire, DE6 4NJ, England.

Tel: +44 (0) 1332 824 777 | Fax: +44 (0) 1332 824 525 | Email: info@sisis.com | www.sisis.com

A division of Howardson Ltd - a proudly British company
Company reg no 641526 - Vat No GB 345 9918 12

EC DECLARATION OF CONFORMITY

We the undersigned

sisis

SISIS EQUIPMENT (Macclesfield) LIMITED

Certify that the attachment frame

Make SISIS

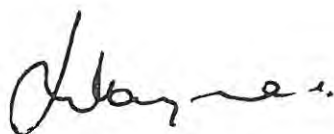
Type Twin Play

Series 6

Conforms to EC Directives
and amendments 2006/42/EC

Standard BS7370

This certificate applies only to NEW equipment supplied
by SISIS or our authorised dealer



J.W. Hargreaves
Director

Certificate Number
CEFS868

EC DECLARATION OF CONFORMITY

We the undersigned

sisis

SISIS EQUIPMENT (Macclesfield) LIMITED

Certify that the attachment frame

Make SISIS

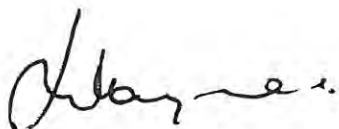
Type Single Play

Series 6

Conforms to EC Directives
and amendments 2006/42/EC

Standard BS7370

This certificate applies only to NEW equipment supplied
by SISIS or our authorised dealer



J.W. Hargreaves
Director

Certificate Number
CECN84322910

We want you to obtain the best results from this machine. If, after reading the following instructions you have any problems, please contact SISIS or your local SISIS Territory Manager or SISIS Dealer.

These instruction notes provide an introduction to your SISIS Twin/Single Play. They have been prepared to give guidance in the initial procedure for operation and it is anticipated that operators will develop their own technique as they gain experience with this versatile machine.

Arranged for mounting on a tractor 3-point linkage, the Twin Play offers fast renovation for turf or hard play sports surface areas.

A multiplicity of implements, attached to the main mounting frame, are each independently adjustable to suit the desired ground contact requirements. The work heads, apart from being individually adjustable, are fully interchangeable and can therefore be arranged in whichever sequence is considered best suited for the particular conditions and the desired end result. For use on a range of surfaces from hard play porous areas through remedial treatment on heavy play sports turf areas for football and hockey, to the finer turf grass surfaces where visual improvement in appearance is the prime requirement.

ATTACHMENT & OPERATION figure 1

The mounting frame has been designed for use on tractors fitted with category 1 hydraulic linkage. It is essential that the tractor stabiliser bars are fitted and that an adjustable screwed type top link is used.

Align the tractor with the Twin Play, fit the hydraulic lift arms (fitting the left hand side arm first) and secure with the retaining pins. Fit the tractor top link and, after securing the pins, adjust the length until the top of the mounting frame is parallel with the ground.

Raise the Twin Play on the tractor hydraulics and, standing behind the machine, check that the top of the mounting frame is horizontal with the ground - adjusting the side arm levelling screw as necessary. (Always check that the tractor rear wheel tyres have equal inflation pressures). If the chain type stabilisers are fitted to the tractor, adjust these to eliminate any excessive side movement of the Twin Play.

The implements are independently adjustable in the vertical plane and, in cases where one implement is required, the second is simply raised clear of the work surface.

To adjust the height of the second implement, lower the Twin Play to the ground. Remove the securing bolts and nuts, items 6 and 8; lift the main frame to the required height and select the nearest holes in the attachment bars, item 2, which match the main frame. Refit bolts and nuts and secure. Fine adjustment to the rear implement can be done using the top link to tilt the rear of the frame. This must be done with care as the main frame should operate as near horizontal as possible.

Always conduct a few short runs on the actual site to determine the implement settings best suited for the surface conditions. On hard play areas it is an advantage to use the depth stop on the tractor linkage control quadrant which will ensure consistent implement pressure on adjoining runs.

Best operating speeds will vary according to surface conditions, but as a guide, COMMENCE at between 3-4mph (5-6.5km.hr). Always operate in straight line runs and always lift the Twin Play clear of the ground before turning the tractor.

MAINTENANCE AND LUBRICATION

DAILY

walk around visual check to ensure implements and tines are not worn or deformed. rectify any damaged components.

if the Trulute is being used, oil all the pivot bushes.

lightly oil all the depth adjusting screws

WEEKLY

check that all securing bolts are tight

ZIG ZAG BRUSH

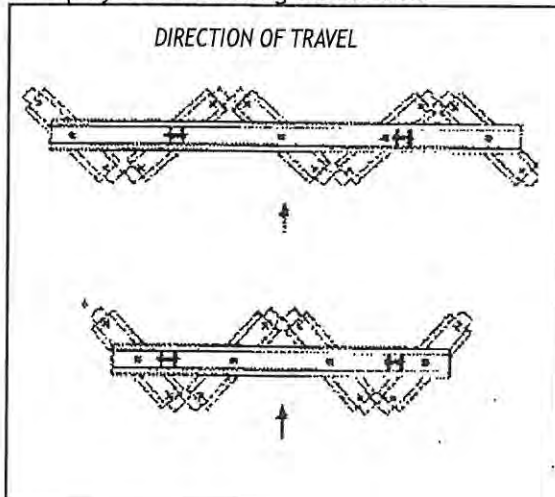
This 6ft (183cm) or 8ft (244cm) width brushing unit consists of 4 or 5, 2ft (61cm) long brush sections mounted on a main frame so that each brush is operating at an angle to the forward motion of the towing vehicle. This type of brushing has been found to improve the movement of top dressing

material down to the base of the grass sward, with very few passes. It is also extremely beneficial for 'working in' sand on artificial grass surfaces. In combination with other SISIS attachments, it will effectively assist in the maintenance of hard porous pitches and running tracks.

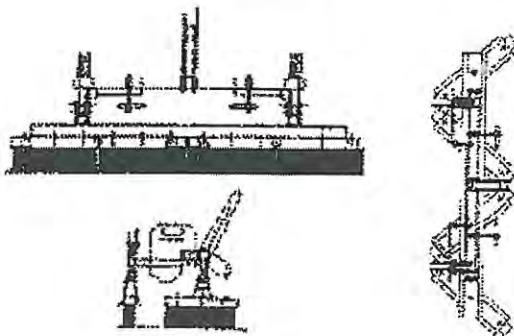
The Zig Zag brush can be used with the Quadraplay or Twin/Single Play as a single unit or in combination with other brushes. For best results it is recommended that at least one single brush unit should be mounted behind the Zig Zag Brush.

FITTING THE ZIG ZAG BRUSH TO THE FRAME

Lift the Twin Play frame on the tractor linkage. Remove the 4 bolts and nuts (items 3 and 4). Lower the frame onto the brush assembly and replace the bolts and nuts through the 2 jacks (Quadraplay) mounting blocks on the Twin Play. Adjust the height for suitable operation on grass, hard play and artificial grass surface.



**DOUBLE IMPLEMENT FRAME
TWIN PLAY FITTED WITH 6ft ZIG ZAG
BRUSH and 6ft BRUSH GENERAL LAYOUT
ASSEMBLY**



REPLACING BRUSHES

Lift the Zig Zag brush on the tractor hydraulics. Remove the 3 nuts and bolts fixing the brush to the frame. Fit the new brushes in place with the 3 units and bolts supplied. Adjust the height of the brush assembly to suit other implements fitted to the frame.

Replacing all the brushes together will prevent uneven wear or 'striping' of the surface.

Brushes, part no. 1520, are available direct from SISIS.

SAFETY HINTS

ALWAYS

read the operating instructions carefully and understand the controls before commencing work.

be extra careful when using petrol or diesel fuel. **DANGER**, no smoking or naked lights

use safety guards and make sure they are correctly in position. they are supplied for your safety

visually check machines, before starting work, for damage or wear to working parts such as blades or tines

watch out for children or pedestrians and always look behind before starting to reverse

switch off the power before making adjustments or repairs and never lift or carry a machine whilst any parts are moving

NEVER

allow any unauthorised persons to handle machines in any way at any time

BE SAFETY CONSCIOUS ALWAYS

SISIS CONTACT TELEPHONE NUMBERS

Sales	01625 503030
Purchasing	01625 505992
Accounts	01625 505995
Fax all departments	01625 427426
Email all departments	info@sisis.com
Website	www.sisis.com



PARTS LIST & DRAWINGS

TWIN PLAY and SINGLE PLAY

MACHINE REFERENCE

Twin Play TWP/6
Single Play .. SP/6

SERIAL NUMBER

.....

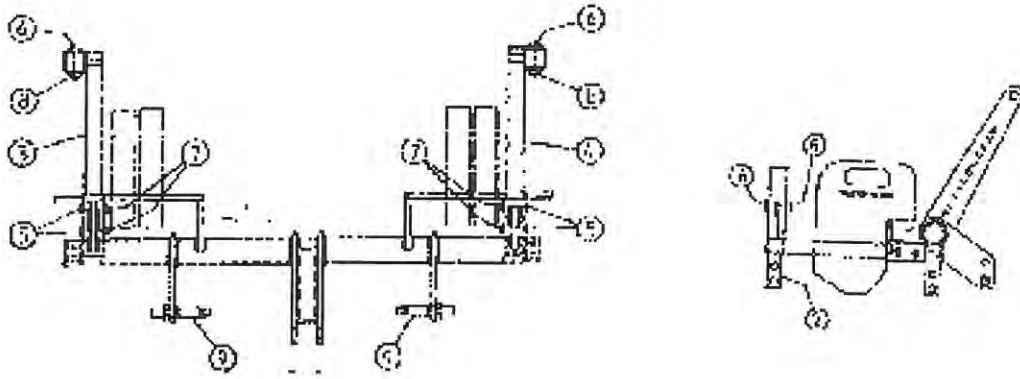
CN CODE

8432 29 10

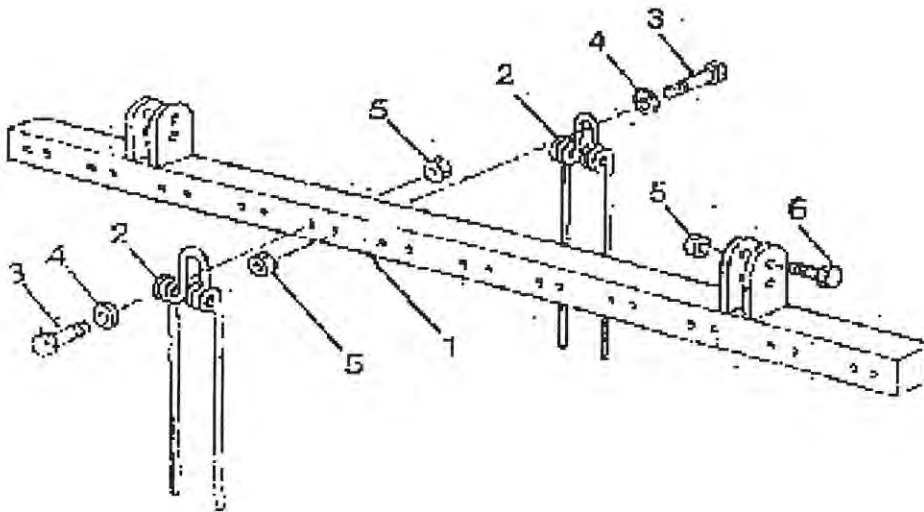
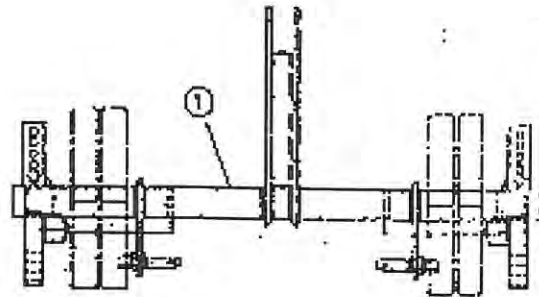
SALES/SPARES 01625 503030

Website www.sisis.com

FIGURE 1



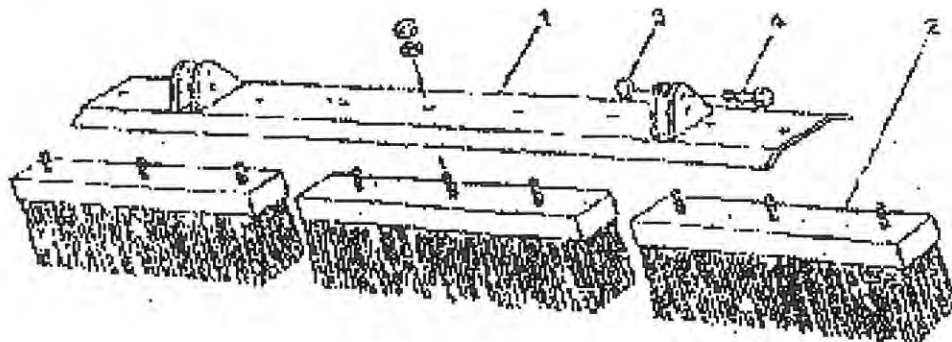
item	part	description	qty
1	32146	implement attached frame	1
2	32163	implement attachment bar	2
3	32197	LH height adjustment arm	1
4	32198	RH height adjustment arm	1
5	1/1130	bolt	4
6	1/1578	bolt	2
7	1/1223	nyloc nut	4
8	1/1231	nyloc nut	2
9	2327	lower link pins	2



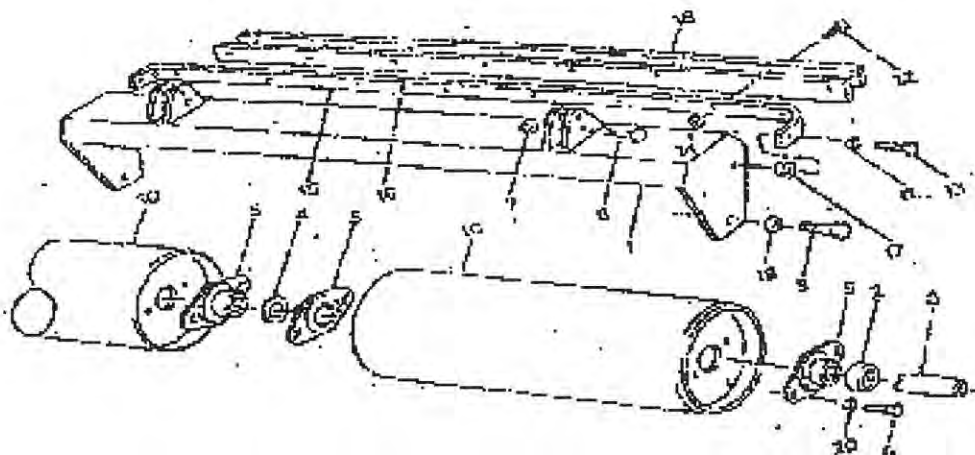
item	part	description	6ft qty	8ft qty	item	part	description	qty	qty
1	30976	rake bar	1	///	4	1/1080	HP lain washer	24	32
1	30985	rake bar	///	1	5	1/1231	nyloc nut	28	31
2	7853	BBS tine	24	32	6	1/1176	bolt	4	4
3	1956	bolt	24	32					
			6ft	8ft					

BRUSH ASSEMBLY

item	part	description	6ft qty	8ft qty	item	part	description	6ft qty	8ft qty
1	30978	brush bar	1	///	3	1/1231	nyloc nut	4	4
1	30984	brush bar	///	1	4	1/1176	bolt	4	4
2	1520	brush	3	4					



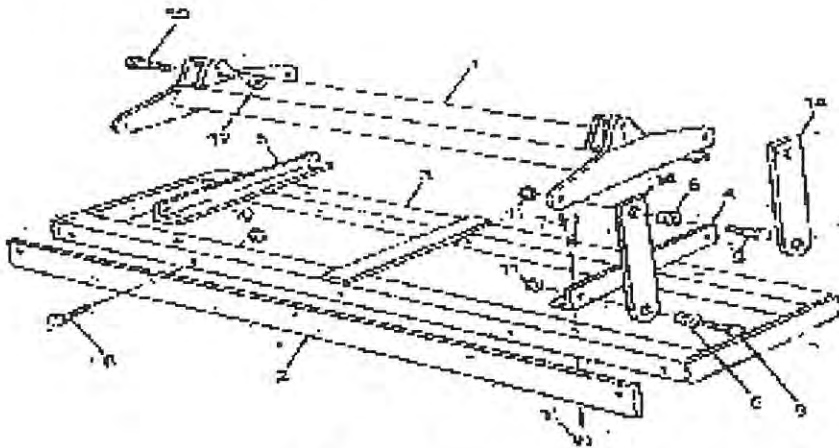
ROLLER ASSEMBLY



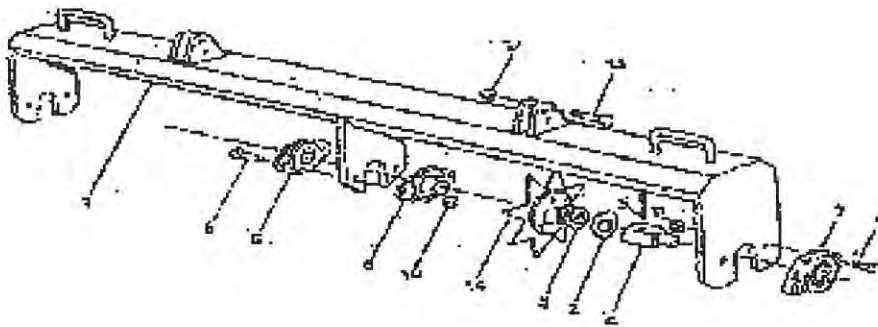
item	part	description	6ft qty	8ft qty	item	part	description	6ft qty	8ft qty
1	30977	roller frame	1	///	11	1/1065	flat spring washer	2	2
1	30987	roller frame	///	1	12	1/1106	bolt	8	10
2	6428	spacer	2	2	13	1/1155	setscrew	2	2
3	6421	shaft	///	1	14	1/1220	nyloc nut	8	10
3	6544	shaft	///	1	15	7966	scraper frame	///	///
4	8234	LP plain washer	1	1	15	2731	scraper frame	1	///
5	8235	ball bearing	///	///	15	31003	scraper frame	///	1
6	20077	ball bearing	4	4	16	3856	rubber scraper	1	///
7	1/1231	btbic byt	8	8	17	6056	spacer	2	2
8	1/1176	bolt	4	4	18	31002	spacer clamp	1	///
9	1/1633	setscrew	2	2	18	31013	spacer clamp	///	1
10	1/6542	drum assembly	2	///	19	1/1635	spring washer	8	8
10	1/6419	drum assembly	///	2					

TRULUTE ASSEMBLY

item	part	description	6ft	8ft	item	part	description	6ft	8ft
			qty	qty				qty	qty
1	30975	sub frame	1	1	8	1/1118	setcrew	10	14
2	6541	blade	2	///	9	1/1155	setscrew	6	12
2	5202	blade	///	2	10	1/1223	nyloc nut	10	14
3	6545	Trulute frame	1	///	11	1/1223	nyloc nut	14	20
3	6426	Trulute frame	///	1	12	1/123	nyloc nut	4	4
4	6546	pivot bracket RH	1	///	13	1/1176	bolt	4	4
5	6547	pivot bracket LH	1	///	14	6425	parallel link arm	4	4
6	6650	ferrule	8	8		1/1157	setcrew	4	///
7	1952	setscrew	4	///		1/1729	bolt	4	4



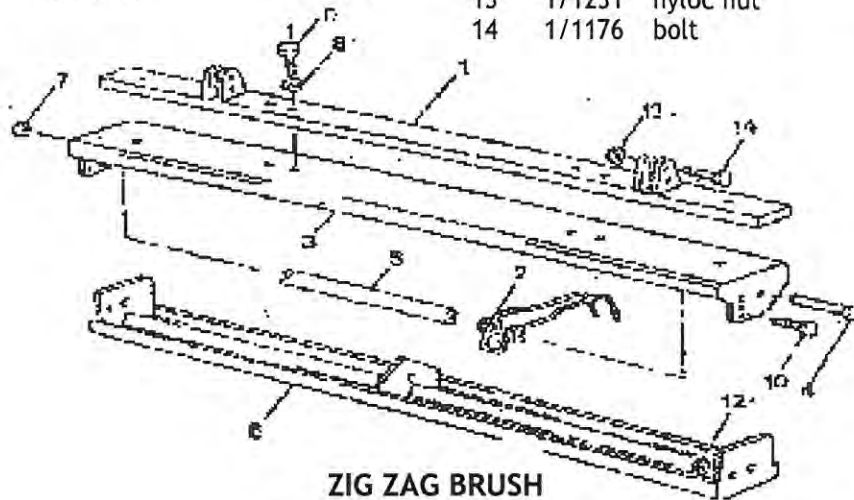
SLITTER ASSEMBLY



item	part	description	6ft	8ft	item	part	description	6ft	8ft
			qty	qty				qty	qty
1	30974	slitter frame	1	///	7	8298	bearing	2	2
1	30986	slitter frame	///	1	8	1/1104	setscrew	2	2
2	3051	square bore washer	2	2	9	1/1121	bolt	4	4
3	7904	slitter spacer spring	24	32	10	1/1220	nyloc nut	2	2
4	30474	slitter shaft	2	///	11	1/1223	nyloc nut	4	4
4	30478	slitter shaft	///	2	12	1/1231	nyloc nut	4	4
5	1047	split pin	2	2	13	1/1176	bolt	4	4
6	8032	bearing	2	2	14	30470	slitter disc assembly	26	34
			6ft	8ft					

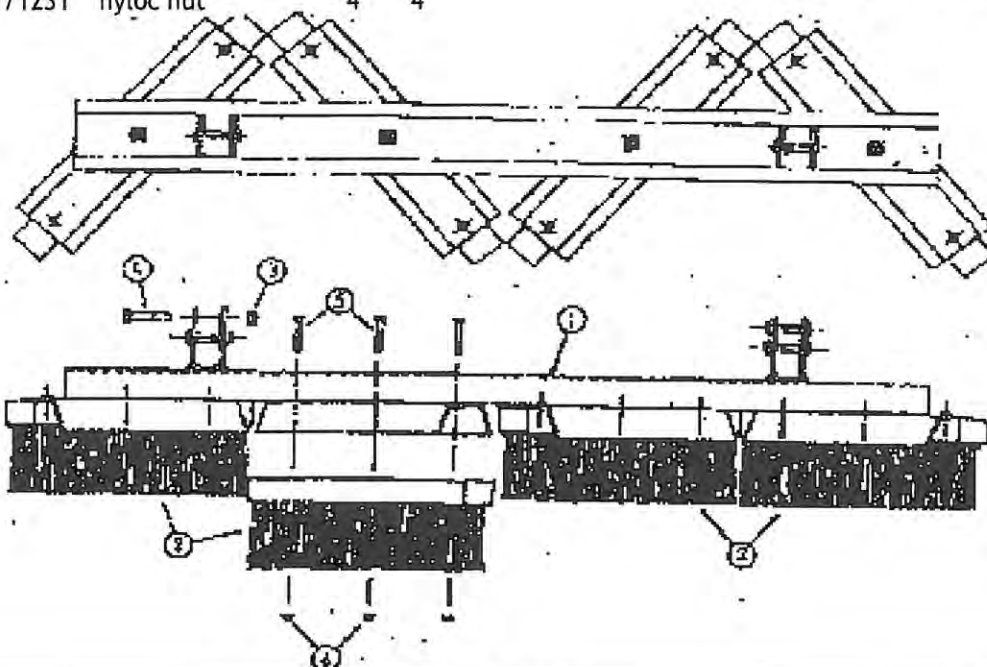
RAKE ASSEMBLY

item	part	description	6ft qty	8ft qty	item	part	description	6ft qty	8ft qty
1	30973	rake support	1	///	6	3868	rake bottom frame assembly	///	2
1	30983	rake support	///	1	6	6551	rake bottom frame assembly	1	///
2	2149	tilth rake wires	24	32	7	1227	half nut	1	2
2	3544	intermediate coiled tine	38	48	8	1/1063	flat spring washer	6	12
3	1/3541	rake top frame	///	2	9	1/1065	flat spring washer	1	2
3	1/6548	rake top frame	1	///	10	1/1117	setscrew	2	4
4	3542	tube stay rod	///	2	11	1/1124	setscrew	6	8
4	6549	tube stay rod	1	///	12	1/1223	nyloc nut	2	12
5	3543	tine tube	///	2	13	1/1231	nyloc nut	4	4
5	6550	tine tube	1	///	14	1/1176	bolt	4	4



ZIG ZAG BRUSH

item	part	description	6ft qty	8ft qty	item	part	description	6ft qty	8ft qty
1	32208	brush frame	1	///	4	1/1176	bolt	4	4
1	32608	brush frame	///	1			setscrew) supplied with brush	
2	1520	brush	4	5			nut), brush	
3	1/1231	nyloc nut	4	4					



FLEXICOMB

item	part	description	qty	item	part	description	qty
1	1/1065	washer	60	14	22043	setscrew	2
2	1/1072	washer	4	16	33941	decals	1
3	1/1116	bolt	4	18	37145	brush assembly	60
4	1/1152	setscrew	60	19	37150	brush rake frame	1
5	1/1220	nut	4	20	37152	decals	2
6	1/1231	nut	4	21	37153	decals	2
8	1917	split pin	2	22	37154	jack screw bracket	2
9	1947	grease nipple	2	23	37155	jack screw	2
10	1956	bolt	4	24	8803	flanged bush	2
12	20452	washer	4				
13	20802	spring washer	2				

