



World-class turf maintenance equipment

OPERATING INSTRUCTIONS

QUADRAPLAY 6ft and 8ft models

MACHINE REFERENCE

QPY/6

QPY/8

SERIAL NUMBER

.....

CN CODE

8432 29 10



SISIS, Ashbourne Road, Kirk Langley, Derbyshire, DE6 4NJ, England.

Tel: +44 (0) 1332 824 777 | Fax: +44 (0) 1332 824 525 | Email: info@sisis.com | www.sisis.com

A division of Howardson Ltd. - a proudly British company
Company reg no 641526 - Vat No GB 345 9918 12

EC DECLARATION OF CONFORMITY

We the undersigned
SISIS EQUIPMENT (Macclesfield) LIMITED

Certify that the Attachment frame

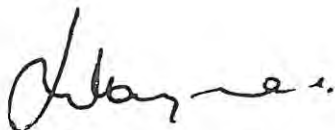
Make SISIS

Type Quadraplay

Series 6/8

Conforms to EC Directives
and amendments 2006/42/EC

**This certificate applies only to NEW equipment supplied
by SISIS or our authorised dealer**



J.W. Hargreaves
Director

Certificate Number
CEFS758

We want you to obtain the best performance from this machine. If you have any difficulty in carrying out the following instructions, please contact us or your local SISIS Territory Manager or SISIS Dealer.

These instruction notes provide an introduction to your SISIS Quadraplay. They have been prepared to give guidance in the initial procedure for operation and it is anticipated that operators will develop their own technique as they gain experience with this versatile machine which is capable of very high utilisation.

Arranged for mounting on a tractor 3-point linkage the Quadraplay, available in either 6ft (183cm) or 8ft (244cm) versions, offers the fastest possible renovation or turf or hard play sports surface areas.

A multiplicity of implements, attached to the main mounting frame, are each independently adjustable to suit the desired ground contact requirements. The work heads, apart from being individually adjustable, are fully interchangeable and can therefore be arranged in whichever sequence is considered best suited for the particular conditions and the desired end result. For use on a range of surfaces from hard play porous areas through remedial treatment on heavy play sports turf areas for football and hockey to the finer turf grass surfaces where visual improvement in appearance is the prime requirement.

The robust main frame incorporates a carrying platform enabling a line marker, marking material, seed etc to be carried to the work site.

SETTING UP

Generally machines are despatched without the implement being assembled.

It should be noted that the screw adjustment carrier brackets have 6 mounting holes while the side frames have only 4 holes. By using either the top or bottom 4 holes the brackets can therefore be individually set to suit the particular implement and to compensate for wear.

As examples - some users, when treating grass areas, will mount the spiker slit and grooming rake in the lower bracket holes while the roller and brush are bolted through the top 4 holes.

When used for hard play areas the choice may be to raise the Trulute by mounting with the lower 4 holes and leaving the rake, roller and brush units in their top 4 holes to provide maximum downward adjustment facility.

When the roller follows the Trulute as shown in the diagram, leave 3 side frame holes clear between the brackets to allow full Trulute operational movement.

ATTACHMENT AND OPERATION

The mounting frame has been designed for use on tractors fitted with category 1 hydraulic linkage. It is essential that tractor stabiliser bars are fitted and that an adjustable screwed type top link is used.

Align the tractor with the Quadraplay' fit the hydraulic lift arms (fitting the left hand side arm first) and secure with the retaining pins.

Fit the tractor top link and, after securing the pins, adjust the length until the top of the mounting frame is parallel with the ground.

Raise the Quadraplay on the tractor hydraulics and, standing behind the machine, check that the top of the mounting frame is horizontal with the ground - adjusting the side arm levelling screw as necessary. (Always check that the tractor rear wheel tyres have equal inflation pressures). If chain type stabilisers are fitted to the tractor adjust these to eliminate any excessive side movement of the Quadraplay.

The implements are independently adjustable in the vertical plane and, in cases where, say, only 3 implements are required, the 4th is simply raised clear of the work surface. A simple depth adjusting screw located at the ends of each implement, controls ground contact and allows infinitely variable depth control for each working head.

Always conduct a few short runs on the actual site to determine the implement settings best suited for the surface conditions. On hard play areas it is an advantage to use the depth stop on the tractor linkage control quadrant which will ensure consistent implement pressure on adjoining runs.

Best operating speeds will vary according to surface conditions but, as a guide, COMMENCE at

between 3 and 4 mph (5 - 6.5km/hour). Always operate in straight line runs and always lift the Quadraplay clear of the ground before turning the tractor.

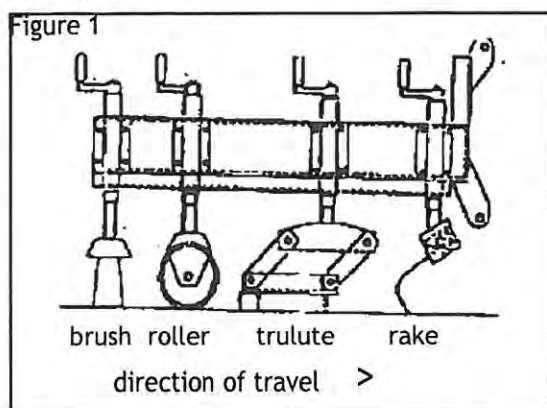


Figure 1 shows a typical arrangement for the renovation of hard surface areas.

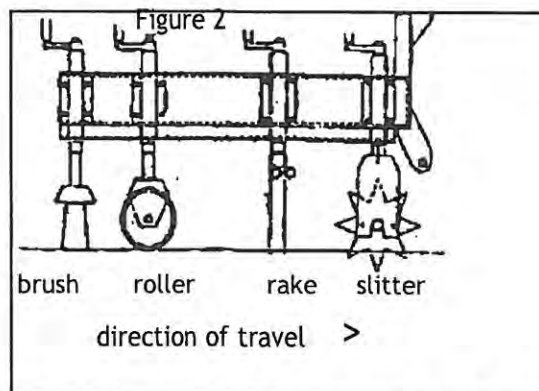
The leading item is the wire tine rake which breaks up the hard compacted surface. Apart from the vertical adjustment, the wire tine head has 3 setting positions for the ground contact angle of inclination. This allows the operator a very wide choice of settings to suit the individual work area conditions.

A Trulute follows and this comprises a lower angle iron frame with the sharp edges in ground contact. The frame is supported on a parallel linkage which, while allowing freedom of vertical movement ensures that the sharp lower edges are always true in relation to the main tractor mounting frame. In operation the leading edge of the Trulute carries in front of it a bow wave of the material loosen by the front rake and, when any ground surface depression is encountered within the working width of the Trulute, materials released under the angle iron edge to effectively fill the depression. The rear angle smooths the surface ready for the next implement.

The particular arrangement in figure 1 then shows a Roller. The depth screws are adjustable to achieve the pressure required for the desired degree of finish to the new flat surface. For some sports surfaces, end users prefer a rolled finish and, in these cases, any following implement is simply adjusted by the vertical screws until it is clear of ground contact.

A full width Brush follows and, if need be, this can adjust to provide the lightest possible contact for a final cosmetic appearance.

For the grooming of turf play areas between matches (such as football pitches), the Quadraplay can be arranged as a truly one-pass surface restorer. An arrangement for this purpose is shown in figure 2.



Leading the 4 implement is a rotating Spiker Slitter head with thin pointed spikes which penetrate the smeared surface compaction area without disturbing it.

This is followed by 2 banks of heavy duty tines which can be adjusted vertically to provide the degree of disruption severity needed for the particular area. The 2 banks of staggered tines allow for a considerable levelling effect of surface debris caused by heavy play in wet conditions.

A roller follows to firm and finally level the renovated surface while the next implement, the brush, produces the final finish to the playing surface.

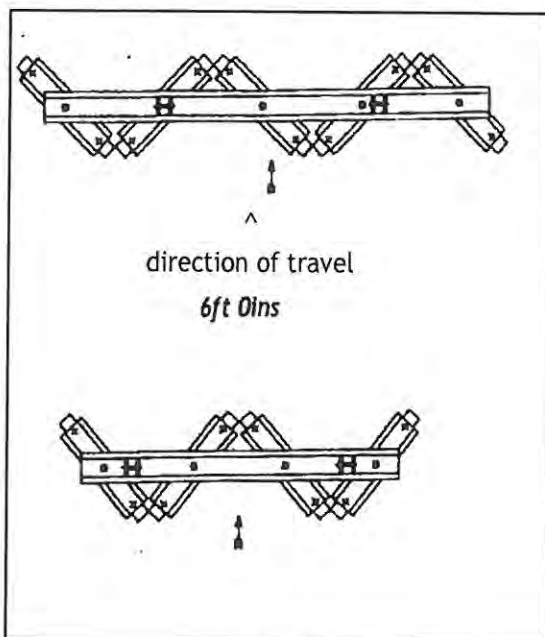
QUADRPLAY SYSTEM FOR RACE TRACKS



Many race tracks, including greyhound tracks use the SISIS Quadraplay to maintain the surface. The system comprises rake, lute and grader. Each implement can be lifted out of use if required.

ZIG ZAG BRUSH

This 6ft (183cm) or 8ft (244cm) width brushing unit consists of 4, or 5, 2ft (61cm) long brush sections mounted on a main frame so that each brush is operating at an angle to the forward motion of the towing vehicle. This type of brushing has been found to improve the movement of top dressing material down to the base of the grass sward, with very few passes. It is also extremely beneficial for 'working in' sand on artificial grass surfaces. In combination with other SISIS attachments, it will effectively assist in the maintenance of hard porous pitches and running tracks.



FITTING ZIG ZAG BRUSH TO FRAME

Lift the Quadraplay frame on the tractor linkage. Remove the 4 bolts and nuts (items 3 and 4). Lower the frame onto the brush assembly and replace the bolts and nuts through the 2 jacks.

Adjust the height for suitable operation on grass, hard play and artificial grass surfaces.

REPLACING THE BRUSHES

Lift the Zig Zag brush on the tractor hydraulics. Remove the 3 nuts and bolts fixing the brush to the frame. Fit the new brushes in place with the 3 units and bolts supplied. Adjust the height

of the brush assembly to suit other implements fitted to the frame.

Replacing all the brushes together will prevent uneven wear or 'striping' of the surface.

**BRUSHES, PART NUMBER 1520,
ARE AVAILABLE DIRECT
FROM THE MANUFACTURER**

MAINTENANCE AND LUBRICATION

DAILY walk round visual check to ensure implements and tines are not worn or deformed.
Rectify any damaged components

if the Trulute is being used, oil all the pivot bushes

lightly oil all the depth adjusting screws

WEEKLY check that all securing bolts are tight

oil/grease jacks

SAFETY HINTS

ALWAYS read the operating instructions carefully and understand the controls before commencing work

be extra careful when using petrol or diesel fuel. danger no smoking or naked lights

use safety guards and make sure they are correctly in position. they are supplied for your protection

before starting work visually check machines for damage or wear to working parts such as blades or tines

watch out for children or pedestrians and always look behind before starting to reverse

NEVER allow any unauthorised person to handle machines in any way at any time



PARTS LIST & DRAWINGS

QUADRAPLAY

6ft and 8ft models

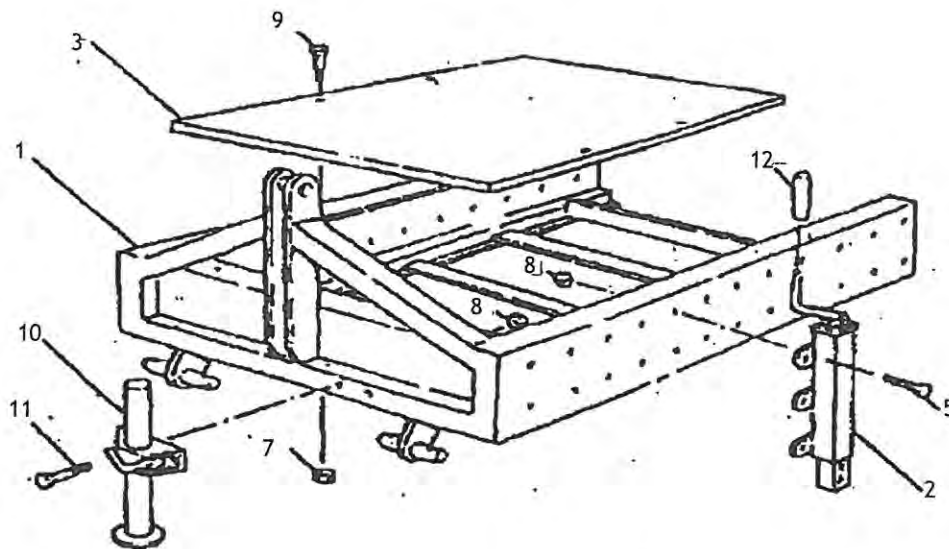
MACHINE REFERENCE	QPY/6 QPY/8
SERIAL NUMBER
CN CODE	8432 29 10

SALES/SPARES 01625 503030
Website www.sisis.com

MAIN FRAME ASSEMBLY

when ordering spares ALWAYS quote model size and part number

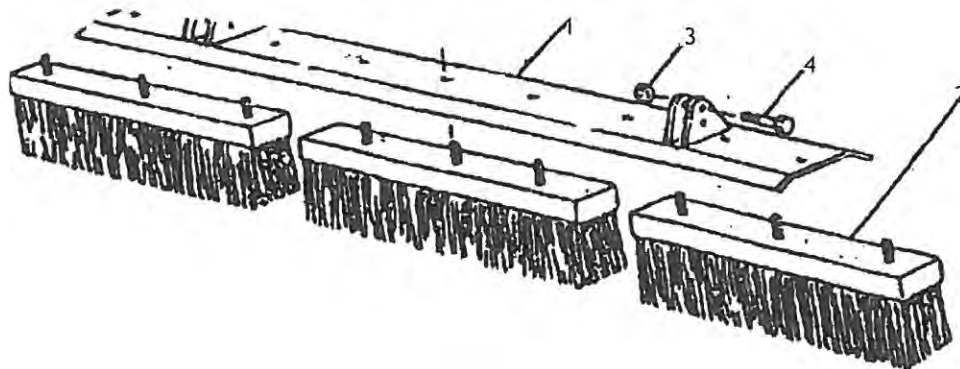
item	part	description	6ft qty	8ft qty	item	part	description	6ft qty	8ft qty
1	30972	main frame assembly	1	1	11	1/1166	bolt	2	2
2	30971	parking jack	8	8	12	1358	plastic hand grip	8	8
3	30981	platform	1	1		1947	grease nipple	16	16
4	30988	transfer	1	1		1/1122	setscrew	8	///
5	1952	setscrew	32	32		1/12222	half nut	8	8
7	1/1220	nyloc nut	4	4		8617	top link	1	1
8	1/1228	nyloc nut	34	34		8326	spring linch pin	11	11
9	20253	coach bolt	4	4					
10	20232	drop leg assembly	1	1					



BRUSH ASSEMBLY

when ordering spares ALWAYS quote model size and part number

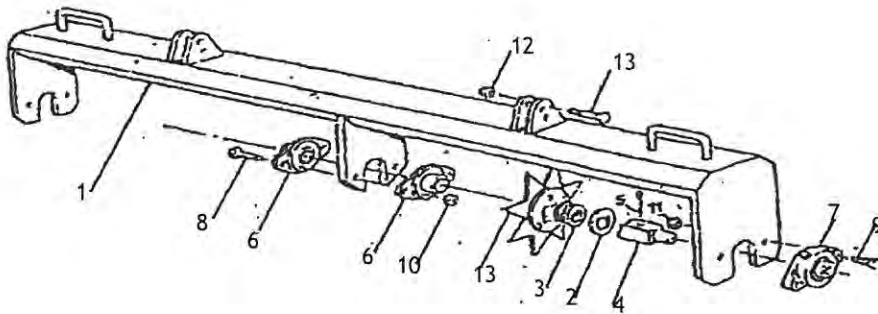
item	part	description	6ft qty	8ft qty	item	part	description	6ft qty	8ft qty
1	30978	brush frame	1	///	3	1/1231	nyloc nut	4	4
1	30984	brush frame	///	1	4	1/1176	bolt	4	4
2	1520	brush	3	4					



SLITTER ASSEMBLY

when ordering spares ALWAYS quote model size and part number

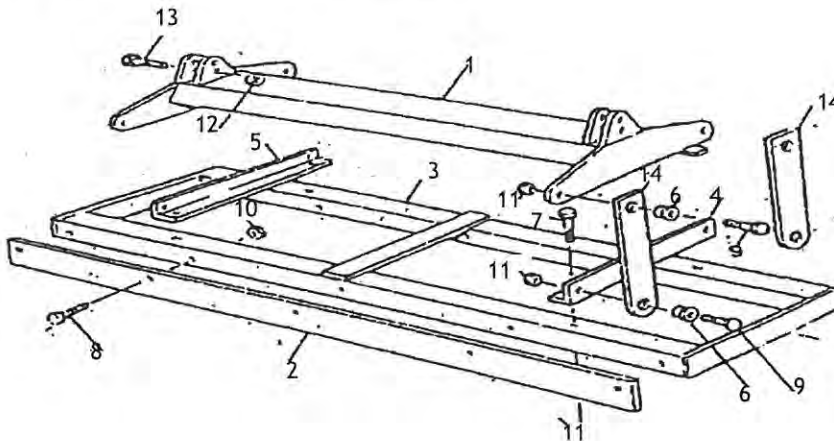
item	part	description	6ft		8ft		item	part	description	6ft		8ft	
			qty	qty	qty	qty				qty	qty		
1	30974	slitter frame	1	////	7	8298	bearing	2	2				
1	30986	slitter frame	////	1	8	1/1104	bolt	2	2				
2	3051	square bore washer	2	2	9	1/1121	bolt	4	4				
3	7904	slitter spacer spring	24	32	10	1/1120	nyloc nut	2	2				
4	30474	slitter shaft	2	////	11	1/1223	nyloc nut	4	4				
4	30478	slitter shaft	////	2	12	1/1231	nylo cnut	4	4				
5	1047	split pin	2	2	13	1/1176	bolt	4	4				
6	8032	bore bearing BPFL	2	2	13	30470	slitter disc assembly	26	34				



TRULUTE ASSEMBLY

when ordering spares ALWAYS quote model size and part number

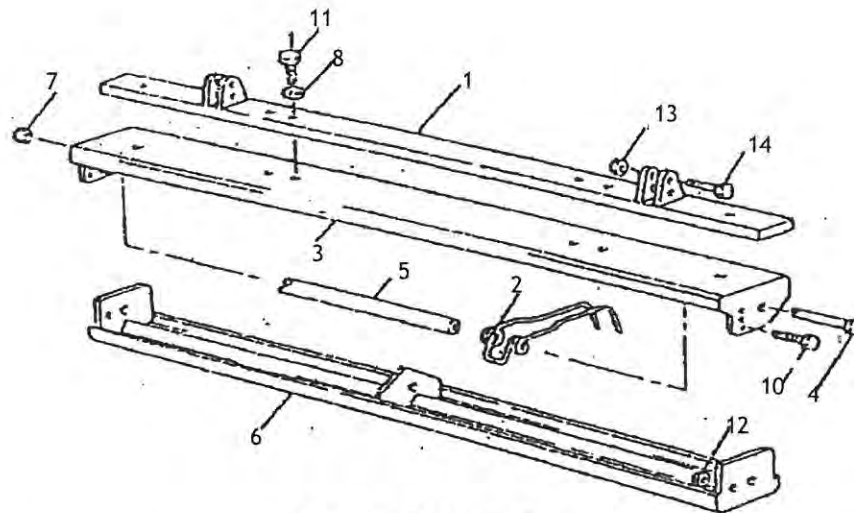
item	part	description	6ft		8ft		item	part	description	6ft		8ft	
			qty	qty	qty	qty				qty	qty		
1	30975	sub frame	1	1	8	1/1118	setscrew	10	14				
2	6541	blade	2	////	9	1/1155	setscrew	6	12				
2	5202	blade	////	2	10	1/1223	nyloc nut	10	14				
3	6545	frame	1	////	11	1/1228	nyloc nut	14	20				
3	6426	frame	////	1	12	1/1231	nyloc nut	4	43				
4	6546	pivot bracket RH	1	////	13	1/1176	bolt	4	4				
5	6547	pivot bracket LH	1	////	14	6425	parallel link arm	4	4				
6	6650	ferrule	8	8									
7	1952	setscrew	4	////									



RAKE ASSEMBLY

when ordering spares ALWAYS quote model size and part number

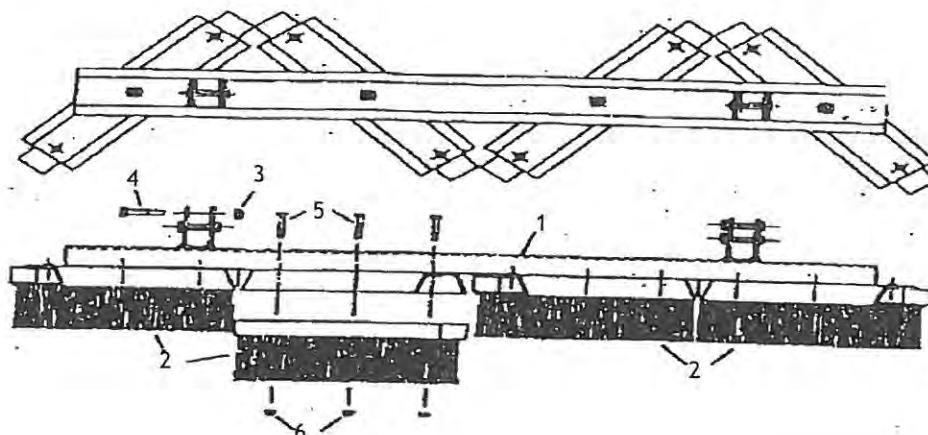
item	part	description	6ft qty	8ft qty	item	part	description	6ft qty	8ft qty
1	30973	rake support	1	////	6	3868	rake bottom frame assy	////	2
1	30983	rake support	////	1	7	1227	half nut	1	2
2	2149	tilth rake tine	24	32	8	1/1063	flat spring washer	6	12
2	3544	intermediate coiled tine	38	48	9	1/1065	flat spring washer	1	2
3	1/6548	rake top frame	1	////	10	1/1117	setscrew	2	4
3	1/3541	rake top frame	////	1	11	1/1124	setscrew	6	8
4	6549	tube stay rod	1	////	12	1/1223	nyloc nut	2	12
4	3542	tube stay rod	////	1	13	1/1231	nyloc nut	4	4
5	3543	tine tbe	1	2	14	1/1176	bolt	4	4
6	6551	rake bottom frame assy	1	////					



ZIG ZAG ASSEMBLY

when ordering spares ALWAYS quote model size and part number

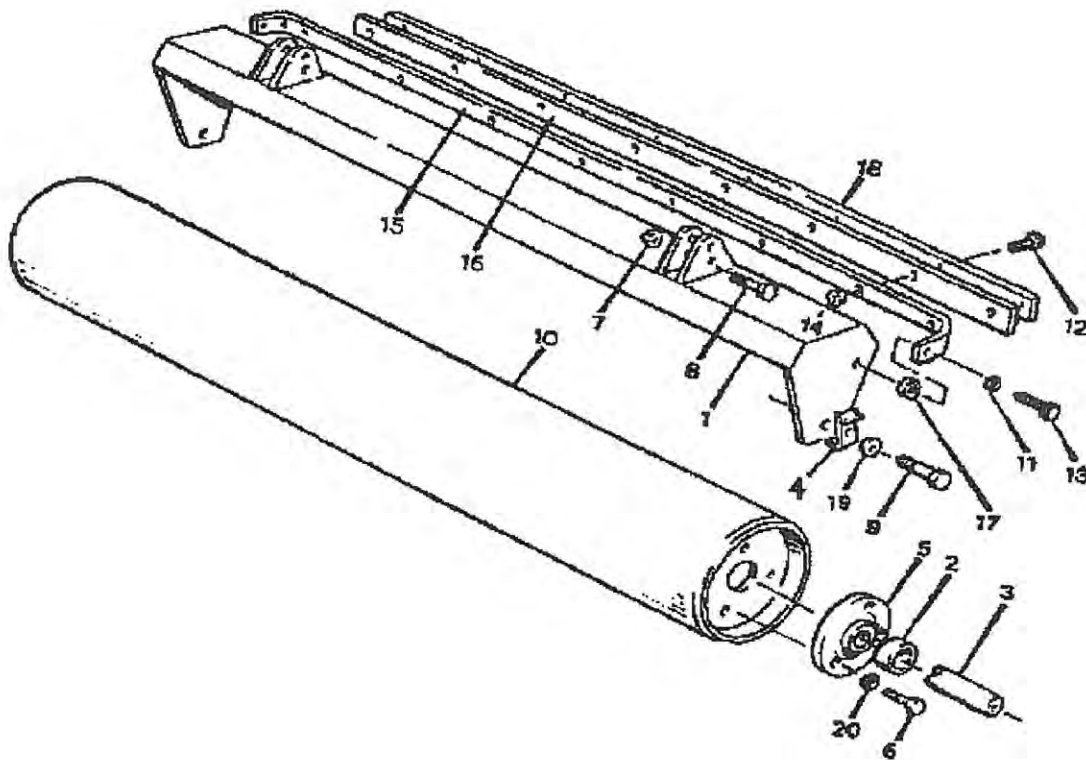
item	part	description	6ft qty	8ft qty	item	part	description	6ft qty	8ft qty
1	32608	brush frame	////	1	4	1/1176	bolt	4	4
1	32208	brush frame	1	////	5		setscrew) supplied with		
2	1520	brush	4	5	6		nyloc nut) brush		
3	1/1231	nyloc nut	4	4					



ROLLER ASSEMBLY

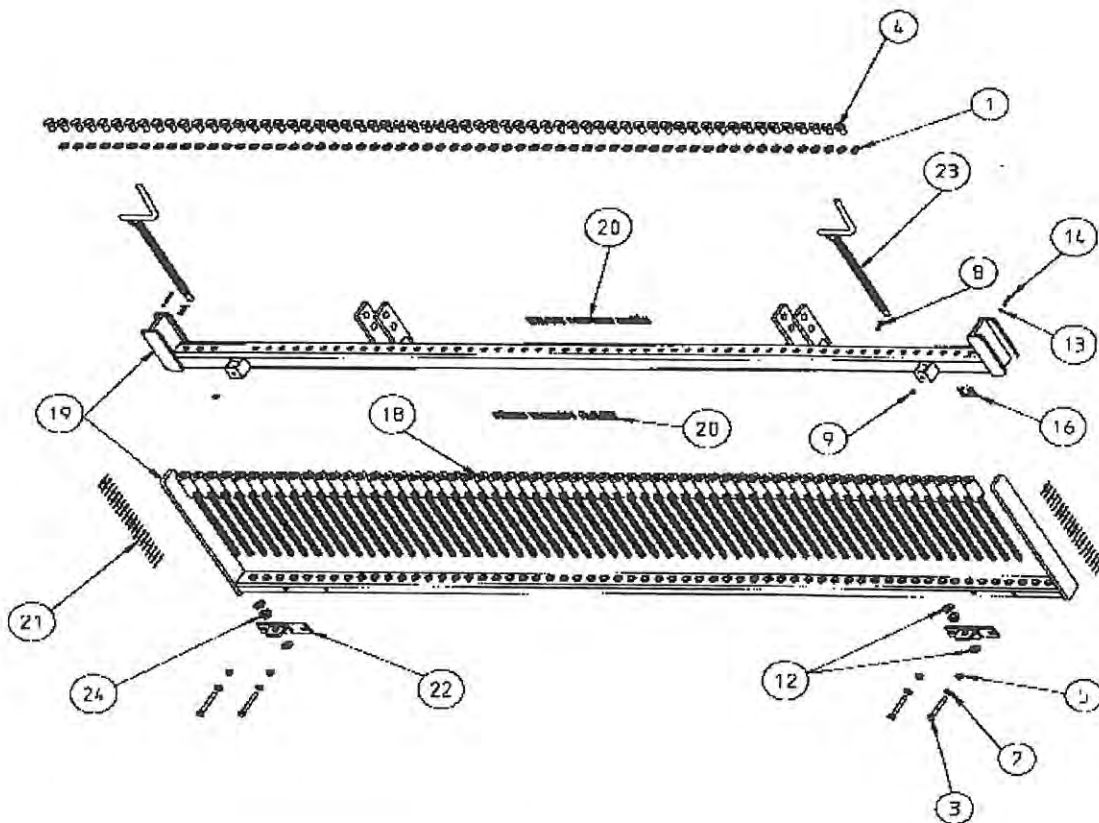
when ordering spares ALWAYS quote model size and part number

item	part	description	6ft 8ft		item	part	description	qty	qty
			qty	qty					
1	30977	roller frame	1	///	11	1/1065	flat spring washer	2	2
1	30987	roller frame	///	1	12	1/1106	bolt	8	10
2	6428	spacer	2	2	13	1/1220	nyloc nut	8	10
3	6544	roller shaft	1	///	15	2731	scraper frame	1	///
3	6421	roller shaft	///	1	15	31003	scraper frame	///	1
4	33068	tab washer	2	2	16	3856	rubber scraper	1	///
5	21768	bearing	2	2	16	6433	rubber scraper	///	1
6	1/1118	setscrew	6	6	17	6056	spacer	2	2
7	1/1231	nyloc nut	4	4	18	31002	scraper clamp	1	///
8	1/1176	bolt	4	4	18	31013	scraper clamp	///	1
9	1/1633	setscrew	2	2	19	1/1635	flat spring washer	2	2
10	36129	roller drum assembly	1	///	20	1/1063	flat spring washer	6	6
10	36130	roller drum assembly	///	1					



FLEXICOMB

item	part	description	qty	item	part	description	qty
1	1/1065	washer	60	14	22043	setscrew	2
2	1/1072	washer	4	16	33941	decal	1
3	1/1116	bolt	4	18	37145	brush assembly	60
4	1/1152	setscrew	60	19	37150	brush rake frame	1
5	1/1220	nut	4	20	37152	decal	2
6	1/1231	nut	4	21	37153	decal	2
8	1917	split pin	2	22	37154	jack screw bracket	2
9	1947	grease nipple	2	23	37155	jack screw	2
10	1956	bolt	4	24	8803	flanged bush	2
12	20452	washer	4				
13	20802	spring washer	2				



GRADER PLATE

