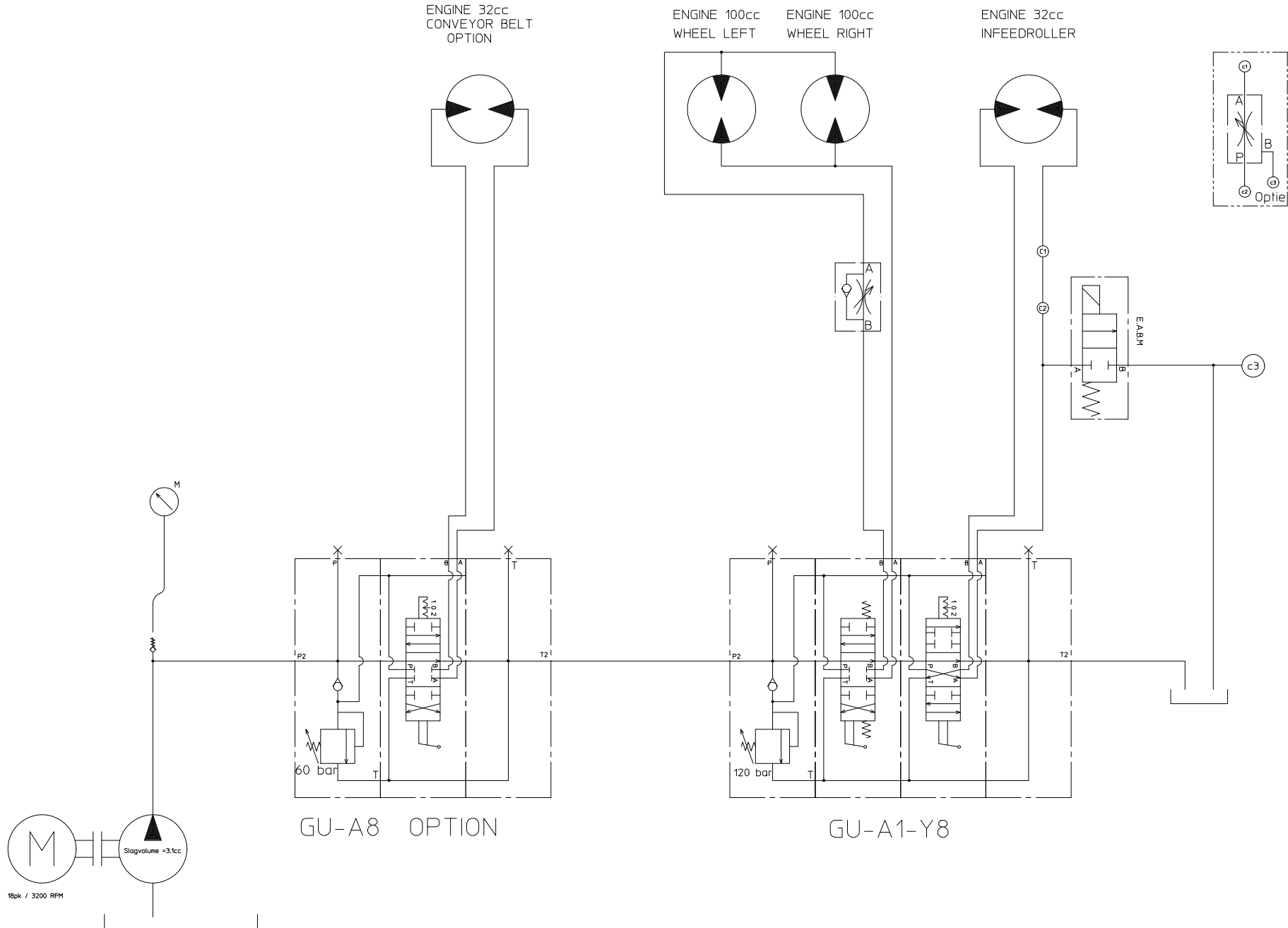


ELIET SP2000 -- GENERAL					
NO	MMA 01 070 100	REV	2	DATE	

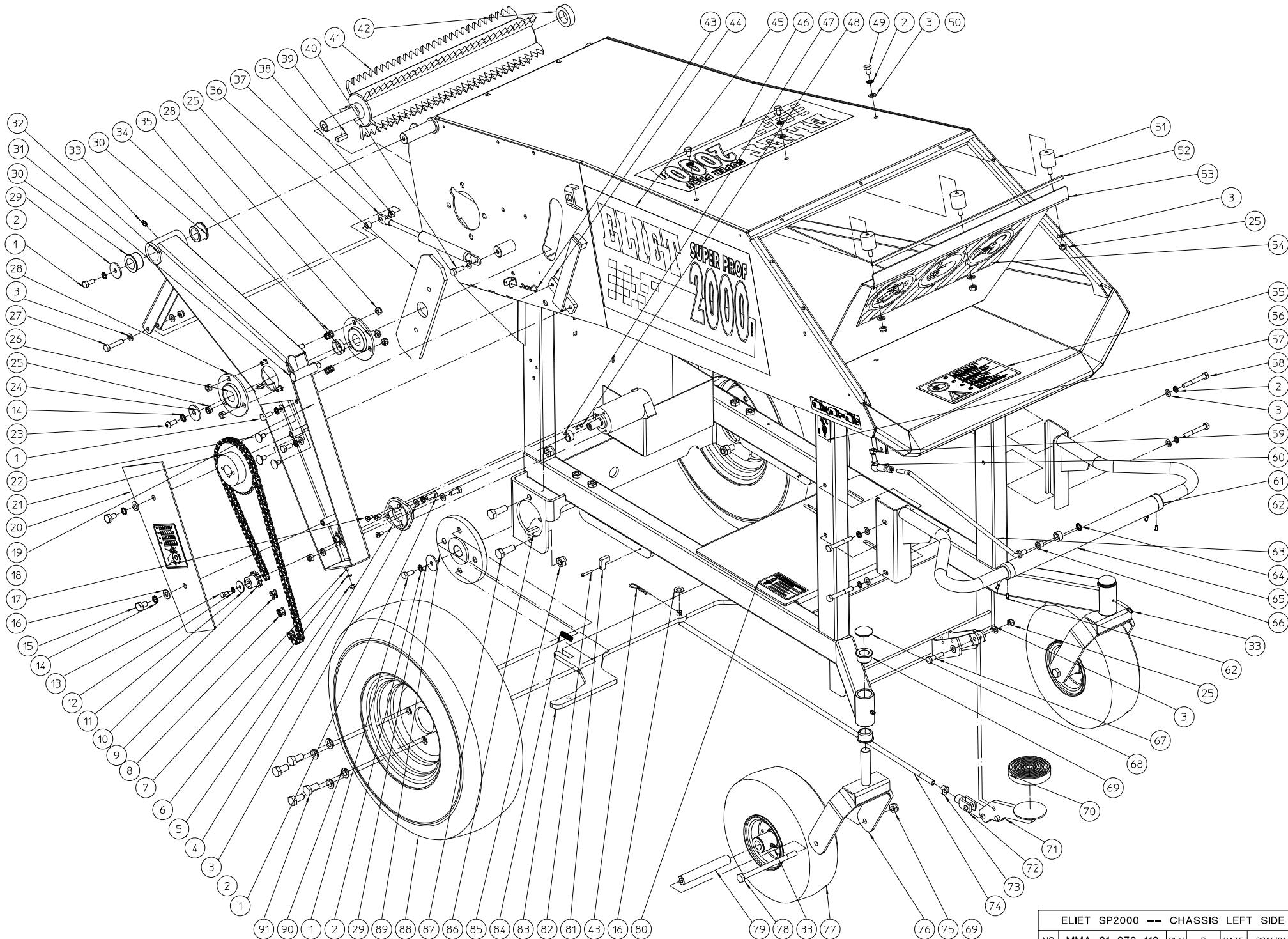
#	Order nr	article description	quantity
0	BH 900 070 010	hydraulic scheme	0
110	MMA 01 070 110	machine left side	1
120	MMA 01 070 120	machine right side	1
130	MMA 01 070 130	rotor	1
140	MMA 01 070 140	hydraulic system	1
150	MMA 01 070 150	electrical system	1



HYDRAULIC DRAW SUPER PROF 2000

NO	BH 900 070 010	REV	1	DATE	2006/11/23
----	----------------	-----	---	------	------------

#	Order nr	article description	quantity
0	BH 900 070 010	hydraulic scheme	0

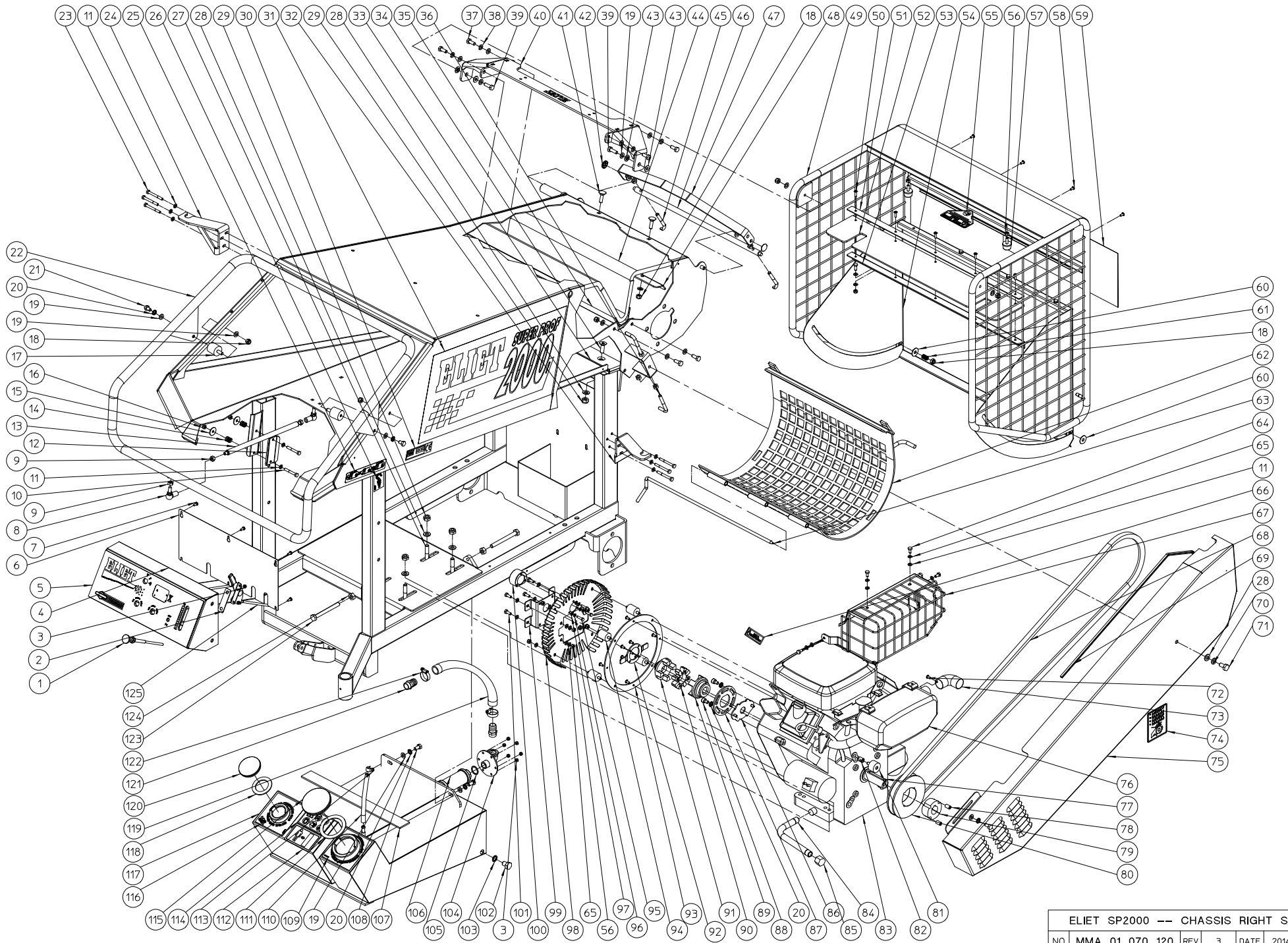


ELIET SP2000 --- CHASSIS LEFT SIDE

NO	MMA 01 070 110	REV	2	DATE	2014/01/28
----	----------------	-----	---	------	------------

#	Order nr	article description	quantity
1	BS 512 000 820	bolt m8x20 din 933	7
2	BS 534 000 800	lock washer m8 din 6798a	13
3	BS 531 000 800	washer m8 din 125	21
4	BH 330 600 000	flange hydraulic engine	1
5	BS 502 000 600	self locking nut m6 din 985	3
6	BS 531 000 600	washer m6 din 125	3
7	BS 551 100 646	eye bolt m6x70 din 444	1
8	BA 151 200 000	connecting chain link simplex 3/8"x7/32"	1
9	BA 151 400 000	connecting chain link simplex (1/2) 3/8"x7/32"	1
10	BA 161 011 163	sprocket simplex 3/8"x7/32" 11t	1
11	BS 532 006 253	washer m6x25x1.5	1
12	BS 534 000 600	lock washer m6 din 6798a	1
13	BS 512 000 612	bolt m6x12 din 933	1
14	BS 534 001 000	lock washer m10 din 6798a	3
15	BS 512 001 016	bolt m10x16 din 933	2
16	BS 531 001 000	washer m10 din 125	3
17	BS 044 600 810	screw m6x14 iso7046	3
18	BQ 505 010 130	safety sticker 100x80 (belt transmission)	1
19	BA 101 104 020	chain simplex 3/8"x7/32" 104l	1
20	MPA 01 070 040	chain protection	1
21	BA 161 040 251	sprocket simplex 3/8"x7/32" 40t	1
22	BS 554 100 816	bolt m8x16 din 603	6
23	BS 522 500 820	screw m8x20 iso 7380	1
24	BS 532 010 356	washer m10x35x3	1
25	BS 502 000 800	self locking nut m8 din 985	12
26	BL 512 505 203	bearing as 205	2
27	BS 512 000 840	bolt m8x40 din 933	1
28	BL 711 502 500	flanges pf 205	2
29	BS 532 008 356	washer m8x35x3	3
30	BR 112 262 110	nylon bushing with collar (26/35.5/40x21/2)	2
31	BO 100 010 100	pull-lock with wing handle 10mm	0
32	MPA 01 070 120	arm feed roller	1
33	BY 100 106 100	grease fitting m6 din 71412	5
34	BV 911 000 010	spring 14x2x16	2
35	MPA 01 070 440	spacer ring	1
36	BR 910 000 040	nylon cover sp2000	1
37	BV 521 010 001	gas struts 500n x 100mm	1
38	MPA 01 070 420	bushing	2
39	BB 341 080 826	key 8x8x26 din 6880	1
40	BS 512 000 825	bolt m8x25 din 933	1
41	MPA 01 070 030	in feed roller	1
42	BR 111 291 310	nylon bushing (28.5/44x13)	1
43	BB 040 102 040	hairpin cotter 2mm din 11024	2
44	MPA 01 070 250	arm retainer	1
45	BQ 501 070 020	sticker eliet sp 2000 640x280	1
46	BQ 501 070 010	sticker eliet sp 2000 470x220	1
47	MPA 01 070 430	spacer ring	1
48	BB 351 050 516	key 5x5x16 din 6885a	1
49	BS 512 000 812	bolt m8x12 din 933	3
50	MPA 01 070 010	chassis	1
51	BR 600 130 301	antivibration blocks 30x30b m8x16	3
52	BR 000 910 530	rubber u-moulding 530mm	1

53	MPA 01 070 170	anti projection shield	1
54	BQ 505 010 100	safety sticker 465x200 (shield)	1
55	BQ 505 010 110	safety sticker 190x125 (in feed)	1
56	BQ 501 060 081	sticker in feed roller control sp2000 ( I )	1
57	BQ 501 060 090	sticker hook attachment	1
58	BS 511 000 844	bolt m8x60 din 931	4
59	BS 501 000 800	nut m8 din 934	2
60	BA 230 010 800	ball joint m8	1
61	BR 910 000 010	nylon bushing with collar (25/30/34x30/15)	2
62	BB 221 104 100	pop plug alu 3.9x10 din 7337 a	4
63	MPA 01 070 380	link rod traction control	1
64	BB 011 000 080	starlock 8mm	1
65	MPA 01 070 060	push bracket	1
66	BR 112 081 300	nylon bushing with collar (8/11/16x13/2)	1
67	BS 511 000 835	bolt m8x35 din 931	1
68	BB 011 000 200	starlock 20mm	2
69	BR 112 201 910	nylon bushing with collar (20.5/30/35x19/2.5)	6
70	BR 900 000 110	rubber socks dia 90x18mm	1
71	MPA 01 070 130	brake pedal	1
72	BS 556 001 000	fork m10x20 din 71752	1
73	BS 501 001 000	nut m10 din 934	1
74	MPA 01 070 190	brake rod	1
75	BS 502 001 000	self locking nut m10 din 985	2
76	MPA 01 070 140	front wheel fork	2
77	BW 029 020 100	front wheel 4.00-4	2
78	BS 511 001 055	bolt m10x150 din 931	2
79	MPA 01 070 390	front wheel axle	2
80	BQ 505 010 040	safety sticker 60x100 (spark plug)	1
81	BR 910 000 050	nylon touch block	2
82	BB 221 004 250	pop plug steel 3.9x25 din 7337 a	2
83	MPA 01 070 200	brake	1
84	BV 907 000 020	spring 10x1x60	2
85	BS 502 001 200	self locking nut m12 din 985	4
86	BB 351 080 732	key 8x7x32 din 6885a	2
87	BS 512 001 235	bolt m12x35 din 933	4
88	BW 054 060 000	rear wheel 6,00-9 6pr	2
89	BA 281 504 501	hub rear wheel m12x1.5	2
90	BS 535 301 210	lock cup washer m12 din 74361	8
91	BS 512 301 225	bolt m12x1.5x25 din 961	8



ELIET SP2000 -- CHASSIS RIGHT SIDE

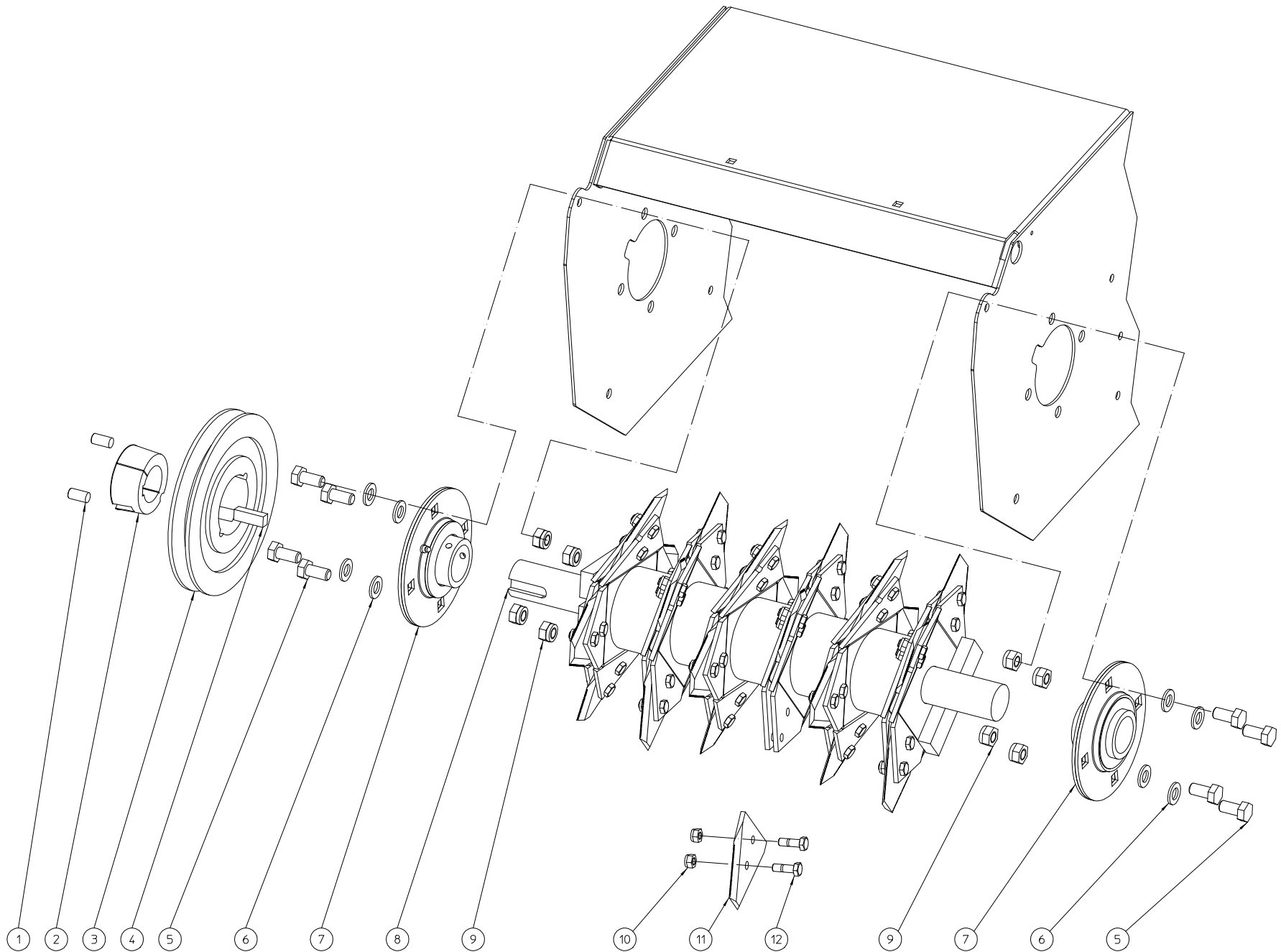
NO	MMA 01 070 120	REV	3	DATE	2014/02/05
----	----------------	-----	---	------	------------



#	Order nr	article description	quantity
1	BK 181 151 060	choke control	1
2	MPA 01 070 280	spacer	1
3	BS 502 000 500	self locking nut m5 din 985	8
4	MPA 01 072 070	control panel	1
5	BQ 501 060 030	sticker dashboard	1
6	MPA 01 070 050	dashboard cover	1
7	BS 549 014 813	screw Ø4.8x13 din 7981	6
8	BA 230 010 800	ball joint m8	2
9	BS 501 000 800	nut m8 din 934	9
10	BS 511 000 641	bolt m6x45 din 931	2
11	BS 531 000 600	washer m6 din 125	38
12	MPA 01 070 310	control brake	1
13	MPA 01 070 370	link rod	1
14	BV 911 000 010	spring 14x2x16	2
15	BS 532 006 253	washer m6x25x1.5	2
16	BS 502 000 600	self locking nut m6 din 985	16
17	BR 600 130 301	antivibration blocks 30x30b m8x16	2
18	BS 502 000 800	self locking nut m8 din 985	12
19	BS 531 000 800	washer m8 din 125	25
20	BS 534 000 800	lock washer m8 din 6798a	7
21	BS 512 000 812	bolt m8x12 din 933	2
22	MPA 01 070 150	control handle bar in feed roller	1
23	BS 511 000 643	bolt m6x55 din 931	6
24	MPA 01 072 020	stabilisation rear protection right	1
25	BQ 501 060 080	sticker in feed roller control sp2000 ( r )	1
26	BQ 501 060 090	sticker hook attachment	1
27	MPA 01 070 230	engine fixing plate	1
28	BS 531 001 000	washer m10 din 125	11
29	BS 502 001 000	self locking nut m10 din 985	8
30	BQ 505 010 010	identity sticker ce 120x30	1
31	BQ 501 070 020	sticker eliet sp 2000 640x280	1
32	MPA 01 072 030	stabilisation rear protection left	1
33	MPA 01 070 180	fixation profile	1
34	BS 022 101 030	bolt m8x18 din 7991 10,9	4
35	MPA 01 070 320	u - support rubber	1
36	MPA 01 010 180	belt catcher	2
37	BS 512 000 820	bolt m8x20 din 933	8
38	BS 533 000 800	lock washer m8 din 127b	4
39	BS 512 000 825	bolt m8x25 din 933	2
40	MPA 01 072 010	stabilisation rear protection	1
41	BS 554 100 830	bolt m8x30 din 603	2
42	BB 011 000 090	starlock 9mm	2
43	BR 112 080 300	nylon bushing with collar (8.2/10.9/18x3.5/1.5)	4
44	BR 900 001 110	rubber silencer plate	1
45	MPA 01 070 400	hook for rapid fastener	2
46	MPA 01 070 220	axle closing grating	1
47	MPA 01 070 020	handle locking grid	1
48	MPA 01 070 330	support rubber	1
49	MPA 01 072 060	rear safety guard	1
50	BB 221 105 160	pop plug alu 4.8x16 din 7337 a	5
51	MPA 01 070 710	mounting piece rubber	1
52	BR 900 001 320	rubber anti projection flap	1

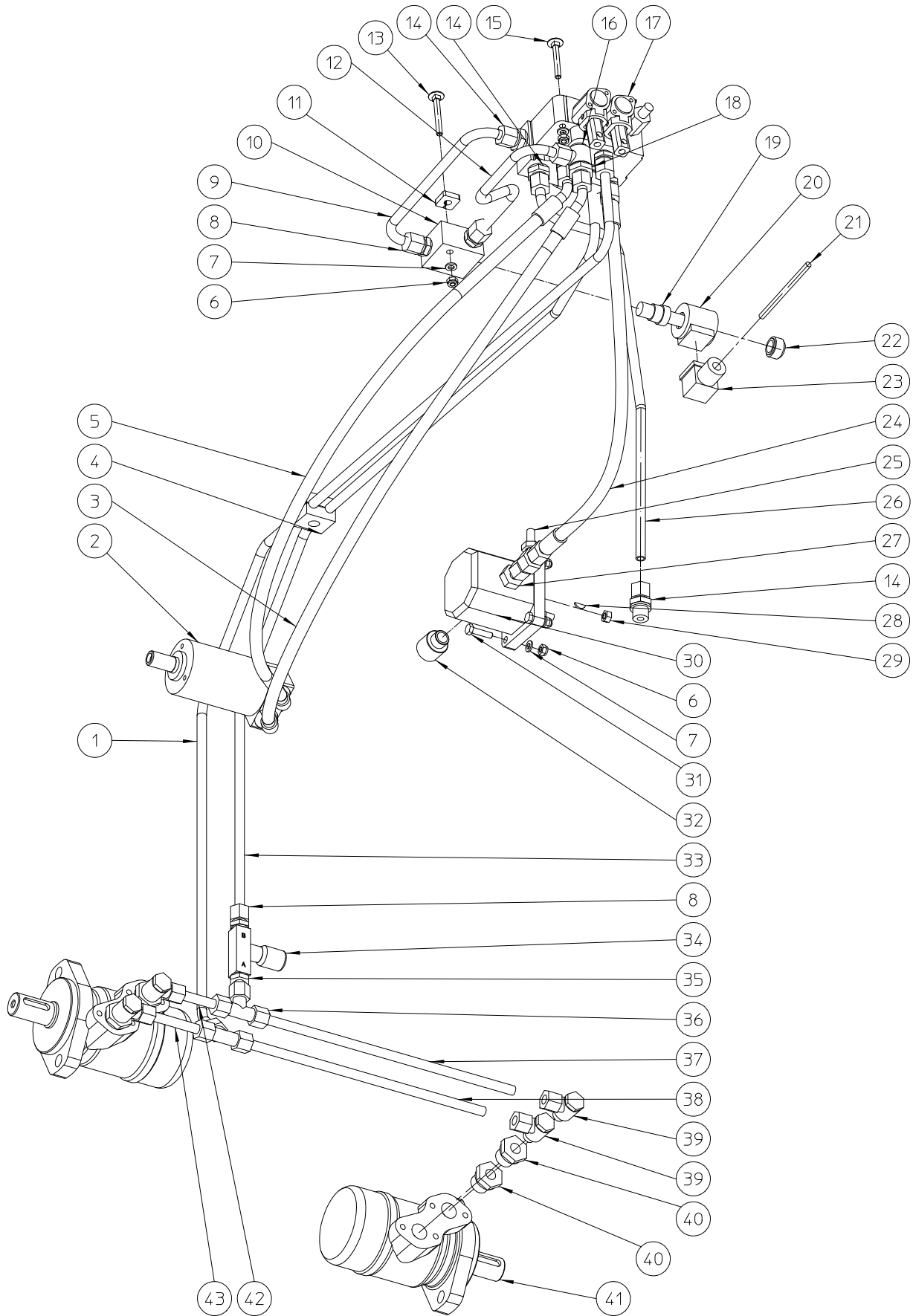
53	MPA 01 070 700	mounting piece rubber	1
54	MPA 01 070 090	anti projection shield	1
55	BQ 505 010 070	safety sticker 100x80 (hand cuts)	1
56	BS 501 000 600	nut m6 din 934	6
57	BR 600 425 170	antivibration blocks 25x17b m6x18	2
58	BB 221 105 100	pop plug alu 4.8x10 din 7337 a	4
59	BQ 501 070 010	sticker eliet sp 2000 470x220	1
60	BS 532 008 253	washer m8x25x1.5	4
61	BV 907 000 010	spring 12x1.5x16	2
62	MPA 01 070 325	calibrating grating ?25mm	1
63	MPA 01 070 210	axle grating	1
64	BS 512 000 612	bolt m6x12 din 933	4
65	BS 533 000 600	lock washer m6 din 127b	8
66	BQ 505 010 030	sticker max 3200 rpm 90x25	1
67	BM 261 300 100	muffler guard	1
68	BA 522 823 600	belt spbx 2360 mitsuboshi sp2000	1
69	BR 000 911 120	rubber u-moulding 1120mm	1
70	BS 533 001 000	lock washer m10 din 127b	1
71	BS 512 001 020	bolt m10x20 din 933	1
72	BB 221 005 100	pop plug steel 4.8x10 din 7337 a	9
73	BT 122 172 828	copper elbow 28mm	1
74	BQ 505 010 130	safety sticker 100x80 (belt transmission)	1
75	MPA 01 072 050	belt protection	1
76	BM 261 300 200	muffler	1
77	BB 342 060 657	key 6.35x6.35x57 din 6880	1
78	BB 501 310 160	set screw 3/8"x5/8"	2
79	BB 501 231 600	taper lock tl 1610-1"	1
80	BA 563 712 501	pulley spb 125 for taper lock tl1610	1
81	BR 600 130 201	antivibration blocks 30x20b m8x20	1
82	BS 747 600 812	threaded bushing type 300	1
83	BM 201 318 001	b&s vanguard twin 18 hp	1
84	BM 261 300 400	draining pipe	1
85	BT 174 150 600	terminal nut 3/8"	1
86	MPA 01 070 690	centring coupling	1
87	MPA 01 070 680	connecting disk for elastic coupling	1
88	BS 521 100 812	screw m8x12 din 912	2
89	BA 201 232 000	elastic coupling alu flange (engine side)	1
90	BA 201 240 000	elastic coupling rubber flector	1
91	BA 201 220 101	elastic coupling alu flange (pump side)	1
92	MPA 01 070 270	rotation speed reference	1
93	MPA 01 070 670	engine housing reinforcement	1
94	BR 600 125 301	antivibration blocks 25x30a m6x10	4
95	BS 512 000 520	bolt m5x20 din 933	3
96	BS 533 000 500	lock washer m5 din 127b	3
97	BS 531 000 500	washer m5 din 125	3
98	MPA 01 070 661	support bracket hydro-pump	1
99	MPA 01 070 650	support bracket pump	1
100	BR 910 000 060	sensor adapter	1
101	BS 512 000 616	bolt m6x16 din 933	8
102	BS 512 001 216	bolt m12x16 din 933	2
103	BH 809 012 100	seal 12mm	2
104	MPA 01 070 240	hydraulic oil filter adapter	1

105	BH 805 021 150	copper seal 21x26x1.5	1
106	BH 280 108 000	hydraulic filter 1/2"	1
107	BR 900 001 240	rubber spacer	1
108	BS 512 000 816	bolt m8x16 din 933	3
109	BQ 501 060 040	sticker fuel tank	1
110	BR 200 207 018	petrol hose	1
111	BH 720 301 060	rubber seal for tank d60	1
112	BQ 505 010 150	safety sticker 60x100 (distance)	1
113	BT 670 109 110	hose clamp 9x11mm	1
114	BQ 505 010 050	safety sticker 60x100 (pictogram)	1
115	BH 720 101 060	cap for tank b60	1
116	BQ 501 060 050	sticker hydraulic oil tank	1
117	MPA 01 070 110	fuel - hydraulic oil tank	1
118	BH 720 301 040	rubber seal for tank d40	1
119	BR 200 219 038	sucking hose 19x380mm	1
120	BH 720 101 040	cap for tank b40	1
121	BT 136 260 820	insert connector for hose 20x1/2	2
122	BT 670 117 290	hose clamp 17x29mm	2
123	BS 512 001 050	bolt m10x100 din 933	2
124	BS 501 001 000	nut m10 din 934	2
125	BM 260 692 541	throttle control	1



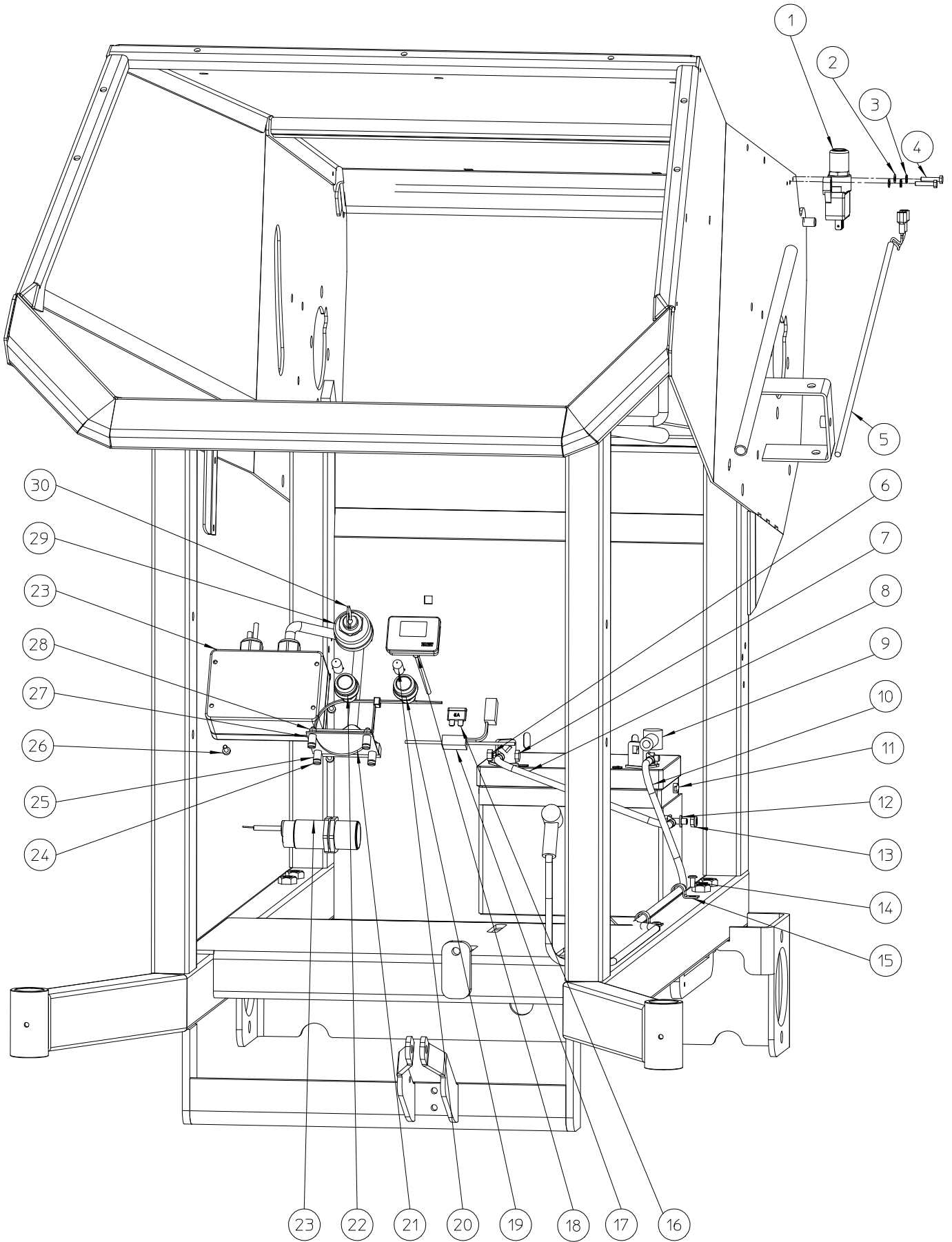
ELIET SP2000 -- ROTOR						
NO	MMA 01 070 130	REV	1	DATE	2006/06/15	

#	Order nr	article description	quantity
1	BB 501 311 220	set screw 7/16"x7/8"	2
2	BB 501 154 000	taper lock tl 2012-40	1
3	BA 563 719 001	pulley spb 190 tl2012	1
4	BB 341 121 035	key 12x10x35 din 6880	1
5	BS 512 001 225	bolt m12x25 din 933	8
6	BS 531 001 200	washer m12 din 125	8
7	BL 801 604 001	kit bearing ucpf 208 complete	2
8	MPA 01 070 820	bladeshaft	1
9	BS 502 001 200	self locking nut m12 din 985	8
10	BS 502 000 811	self locking nut m8x1 gr.10 din 985	0
11	BU 401 300 202	set of knives (24) incl. bolts and nuts	1
12	BS 011 300 827	bolt m8x1x27 gr.10 din 960	0



ELIET SP2000 -- HYDRAULIC SYSTEM					
NO	MMA 01 070 140	REV	2	DATE	2014/01/30

#	Order nr	article description	quantity
1	MPA 01 070 460	hydraulic pipe (reverse drive)	1
2	BH 331 203 210	hydraulic engine epmm 32cc	1
3	BH 551 040 890	flexible hydraulic hose 1/4"x895	1
4	BH 711 020 100	pipe clamp b-10mm	2
5	BH 551 040 870	flexible hydraulic hose 1/4"x870	1
6	BS 502 000 600	self locking nut m6 din 985	7
7	BS 531 000 600	washer m6 din 125	7
8	BH 509 211 004	male stud coupling 10lx1/4"	7
9	MPA 01 070 490	hydraulic pipe (electromagnetic valve return)	1
10	BH 410 001 100	electro magnetic valve 1/4"	1
11	MPA 01 070 350	spacer	1
12	MPA 01 070 470	hydraulic pipe (elec. magnetic valve input)	1
13	BS 554 100 642	bolt m6x50 din 603	1
14	BH 509 211 006	male stud coupling 10lx3/8"	5
15	BS 554 100 641	bolt m6x45 din 603	2
16	BH 513 011 004	banjo with inner hexagon 10lx1/4"	1
17	BH 400 006 000	hydraulic valve bm 20/2 1/4" a1 y8	1
18	BH 509 221 017	male stud coupling 10lxm18x1	1
19	BH 410 001 200	electro magnetic valve slide 1/4"	1
20	BH 410 001 300	solenoid 12v dc	1
21	BE 092 021 701	liyy wire 1mm	1
22	BN 760 120 220	electro magnetic valve nut 1/4	1
23	BH 410 001 400	connector	1
24	BH 551 040 440	flexible hydraulic hose 1/4"x445	1
25	BH 563 000 100	manometer coupler 10lxm16x2	1
26	MPA 01 070 480	hydraulic pipe (pump return)	1
27	BH 512 631 006	standpipe adaptor 10sx3/8"	1
28	BB 321 020 512	key 2x5x12.65 din 6888	1
29	BS 501 000 700	nut m7 din 934	1
30	BH 210 103 200	hydraulic pump 3.2cc	1
31	BS 512 000 625	bolt m6x25 din 933	4
32	BT 134 280 608	messaging 3/8x1/2	1
33	MPA 01 070 450	hydraulic pipe (forward drive)	1
34	BH 430 110 400	flow control valve 1/4"	1
35	BH 512 611 004	standpipe adaptor 10lx1/4"	1
36	BH 510 011 000	equal tee 10l	2
37	MPA 01 070 530	hydraulic pipe 10x317	1
38	MPA 01 070 520	hydraulic pipe 10x301	1
39	BH 513 111 004	banjo 10lx1/4"	4
40	BH 514 100 804	reduction stud (m-f) 1/2"-1/4"	4
41	BH 331 410 000	hydraulic engine epm n 100cc	2
42	MPA 01 070 500	hydraulic pipe 10x71	1
43	MPA 01 070 510	hydraulic pipe 10x87	1



ELIET SP2000 -- ELECTRIC SYSTEM

NO	MMA 01 070 150	REV	2	DATE	2014/01/24
----	----------------	-----	---	------	------------



#	Order nr	article description	quantity
1	BE 120 030 020	safety switch	1
2	BS 531 000 400	washer m4 din 125	2
3	BS 534 000 400	lock washer m4 din 6798a	2
4	BS 512 000 420	bolt m4x20 din 933	2
5	BE 092 021 851	cable contact security	1
6	BS 501 000 600	nut m6 din 934	2
7	BS 512 000 620	bolt m6x20 din 933	2
8	BE 090 180 331	black wire 16mm	1
9	BR 701 010 150	terminal cover	2
10	BE 090 281 031	red wire 16mm	1
11	BE 240 120 300	battery 12v 30ah	1
12	BS 531 000 600	washer m6 din 125	1
13	BS 502 000 600	self locking nut m6 din 985	1
14	BB 221 005 100	pop plug steel 4.8x10 din 7337 a	2
15	BE 043 200 100	cable clamp	2
16	BE 100 700 500	midi-blade fuse 5a	1
17	BE 100 020 300	blade fuse holder fha 1c	1
18	BE 412 730 400	maintenance meter	1
19	BE 530 040 120	green light	1
20	BE 510 110 120	lamp 12v 2w	2
21	BE 043 010 280	wrap tie 280x4.5	1
22	BE 530 030 120	red light	1
23	BE 700 010 000	abm power control	1
24	BS 541 000 420	screw m4x20 din 84	4
25	BR 111 041 000	nylon bushing (4.2/8x10)	4
26	BS 541 000 410	screw m4x10 din 84	4
27	BE 700 011 000	connecting terminal print	1
28	BS 502 000 400	self locking nut m4 din 985	4
29	BM 260 692 318	ignition switch	1
30	BM 260 691 959	ignition key	1