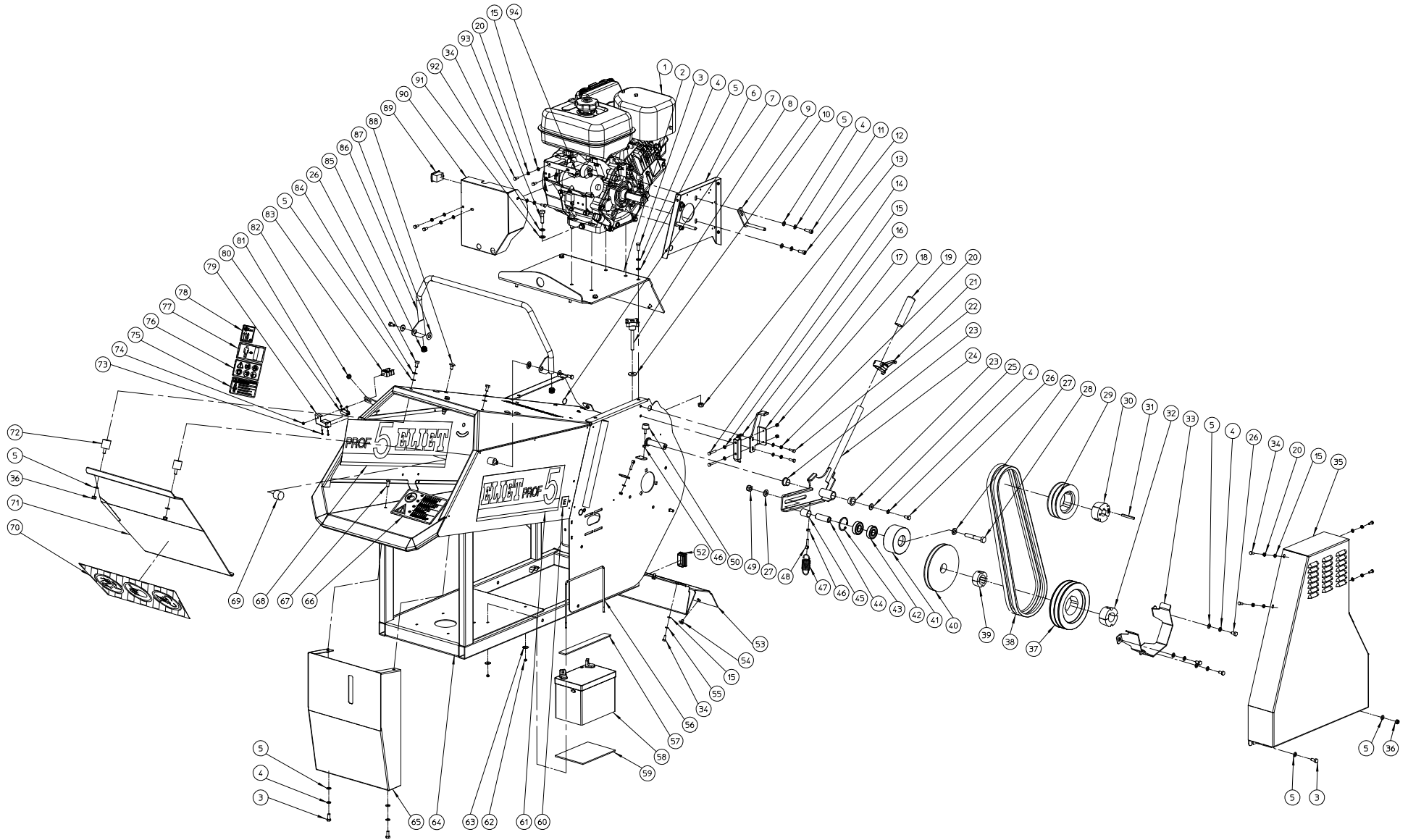


PROF5 REMORQUE-- GENERAL					
NO	MMA 01 052 100	REV	4	DATE	2016/04/07

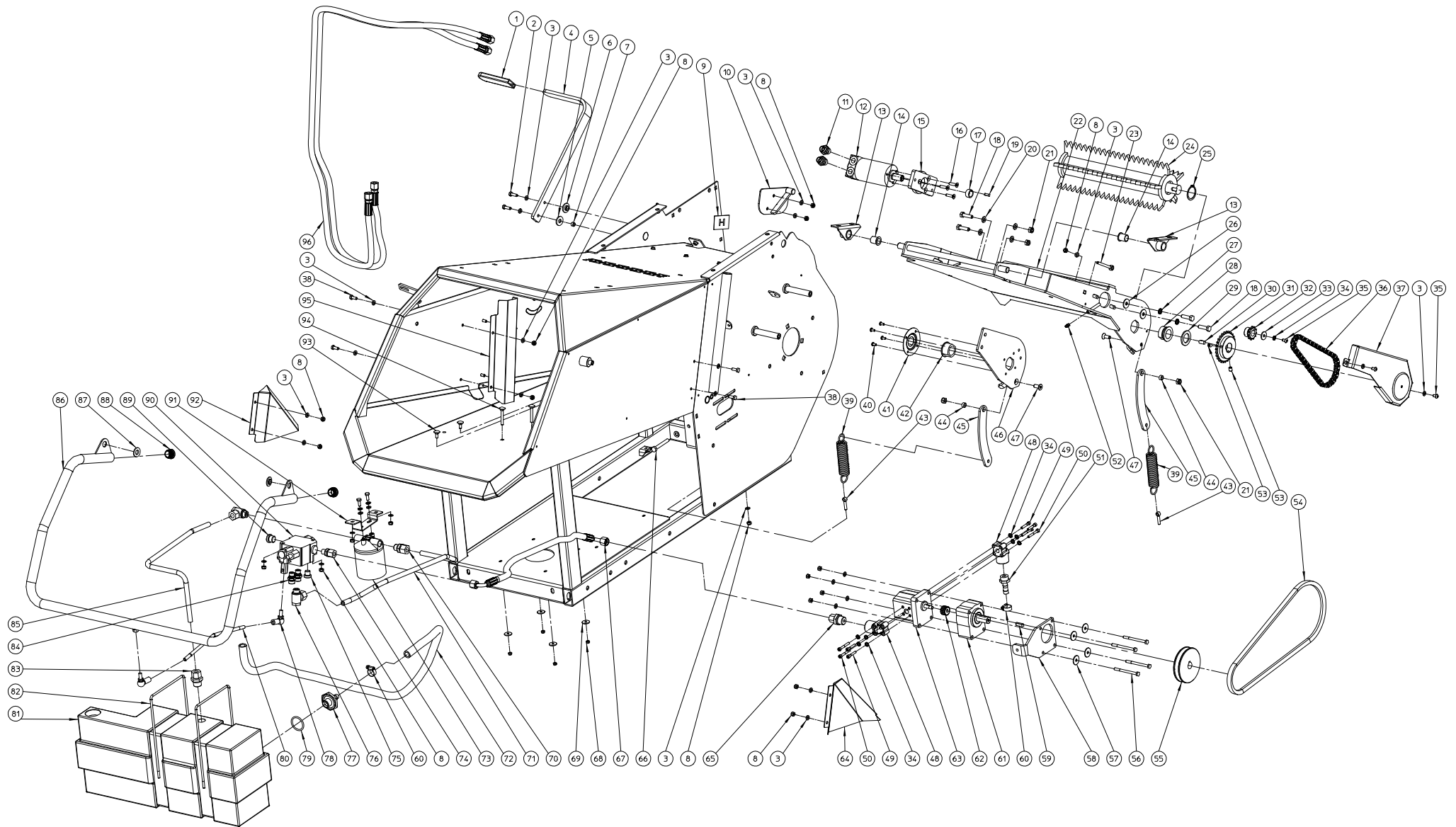
#	Order nr	article description	quantity
10	MMA 01 052 110	standard	1
20	MMA 01 052 120	hydraulic system	1
30	MMA 01 052 130	discharge pipe	1
50	MMA 01 052 150	frame trailer	1
90	MMA 01 051 190	abm hydro	1



PROF5 REMORQUE-- CHASSIS				
NO	MMA 01 052 110	REV	4	DATE

#	Order nr	article description	quantity
1	BM 204 114 000	engine subaru ex 42	1
2	MPA 01 052 240	support plate engine	1
3	BS 512 000 820	bolt m8x20 din 933	11
4	BS 533 000 800	lock washer m8 din 127b	18
5	BS 531 000 800	washer m8 din 125	34
6	MPA 01 052 350	support cap belt	1
7	BS 554 100 820	bolt m8x20 din 603	4
8	BN 630 510 480	lob knob Ø60mm - m10x80	1
9	MPA 01 052 330	belt guide	2
10	BS 532 010 305	washer m10x30x2.5	1
11	BS 521 140 825	screw unf 5/16x1" din 912	2
12	BS 521 140 822	screw unf 5/16x7/8" din 912	2
13	BS 502 001 000	self locking nut m10 din 985	1
14	BS 512 000 635	bolt m6x35 din 933	2
15	BS 531 000 600	washer m6 din 125	18
16	BO 360 504 180	draw-bolt 90°	1
17	MPA 01 052 310	support locking rod tightener	1
18	BS 502 000 600	self locking nut m6 din 985	3
19	BN 230 100 707	grip	1
20	BS 534 000 600	lock washer m6 din 6798a	11
21	BN 332 500 410	control handle	1
22	BS 512 000 620	bolt m6x20 din 933	2
23	BR 112 201 500	nylon bushing with collar (20/24/30x15/2)	2
24	MPA 01 052 250	lever tightener	1
25	BS 532 008 223	washer m8x22x1.5	3
26	BS 512 000 816	bolt m8x16 din 933	9
27	BS 531 001 200	washer m12 din 125	2
28	BS 511 001 248		1
29	BA 563 712 520	pulley spb 125 tl2012	1
30	BB 501 251 600	taper lock tl 2012-1"	1
31	BB 342 060 657	key 6.35x6.35x57 din 6880	1
32	BB 501 153 500	taper lock tl 2012-35	1
33	MPA 01 052 230	belt guide	1
34	BS 512 000 616	bolt m6x16 din 933	13
35	MPA 01 052 220	belt cap	1
36	BS 502 000 800	self locking nut m8 din 985	13
37	BA 563 717 020	pulley spb ii 170 tl 2012	1
38	BA 527 614 733	belt 5l 580	2
39	BB 501 133 500	taper lock tl 1610-35	1
40	BA 562 717 001	pulley spa 170 tl1610	1
41	MPA 01 052 340	pulley tightener	1
42	BL 002 004 703	bearing 6204 zz	2
43	BB 002 000 470	retaining ring 32 din 472	1
44	MPA 01 052 570		1
45	MPA 01 052 610		1
46	BS 501 000 600	nut m6 din 934	2
47	BV 905 000 030	spring 2.5x28x74	1
48	BS 551 000 630	eye bolt m6x30 din 444	2
49	BS 502 001 200	self locking nut m12 din 985	1
50	BR 600 425 170	antivibration blocks 25x17b m6x18	1
52	BR 021 150 300	cap 50x30	2
53	MPA 01 051 530	deflector rotor	1

54	BS 522 100 812	screw m8x12 din 7991	2
55	BS 533 000 600	lock washer m6 din 127b	4
56	MPA 01 052 320	axe battery support	1
57	BR 900 001 550	rubber protection belt battery snowbob	1
58	BE 240 120 300	battery 12v 30ah	1
59	BR 900 001 540	rubber protection battery snowbob	1
60	BQ 501 050 150	sticker electric start 40 x 45	2
61	BQ 501 050 120	sticker 550x170 right	1
62	BS 502 000 500	self locking nut m5 din 985	2
63	BS 532 005 202	washer m5x20x1.5	2
64	MPA 01 052 290	chassis	1
65	MPA 01 052 620		1
66	BQ 505 010 110	safety sticker 190x125 (in feed)	1
67	BS 522 500 820	screw m8x20 iso 7380	2
68	BQ 501 050 110	sticker 550x170 left	1
69	BR 600 230 250	antivibration blocks 25x25b m6x14	1
70	BQ 505 010 100	safety sticker 465x200 (shield)	1
71	MPA 01 051 090	protection	1
72	BR 600 130 301	antivibration blocks 30x30b m8x16	3
73	BS 522 500 316	screw m3x16 iso 7380	2
74	BS 501 000 500	nut m5 din 934	1
75	BQ 505 010 040	safety sticker 60x100 (spark plug)	1
76	BQ 505 010 050	safety sticker 60x100 (pictogram)	1
77	BQ 505 010 150	safety sticker 60x100 (distance)	1
78	BQ 505 112 116	sticker sound level 116 db	1
79	MPA 01 010 200	cover for safety switch	1
80	BE 120 010 503	safety switch	1
81	BS 502 000 300	self locking nut m3 din 985	2
82	BR 000 208 030	rubber grommets 8/3	1
83	BT 654 001 901	clam 19mm	1
84	BS 534 000 800	lock washer m8 din 6798a	3
85	BR 020 501 190	round tube plug gl19	2
86	MPA 01 051 065	safety bracket	1
87	BR 112 120 410	nylon bushing with collar (12/15/25x4/2)	2
88	BS 554 100 816	bolt m8x16 din 603	4
89	BE 412 430 000	maintenance meter	1
90	MPA 01 052 520	protectionplate engine	1
91	BS 531 001 000	washer m10 din 125	4
92	BS 533 001 000	lock washer m10 din 127b	4
93	BS 511 001 040	bolt m10x40 din 931	4
94	MPA 01 052 530	support protectionplate engine	1

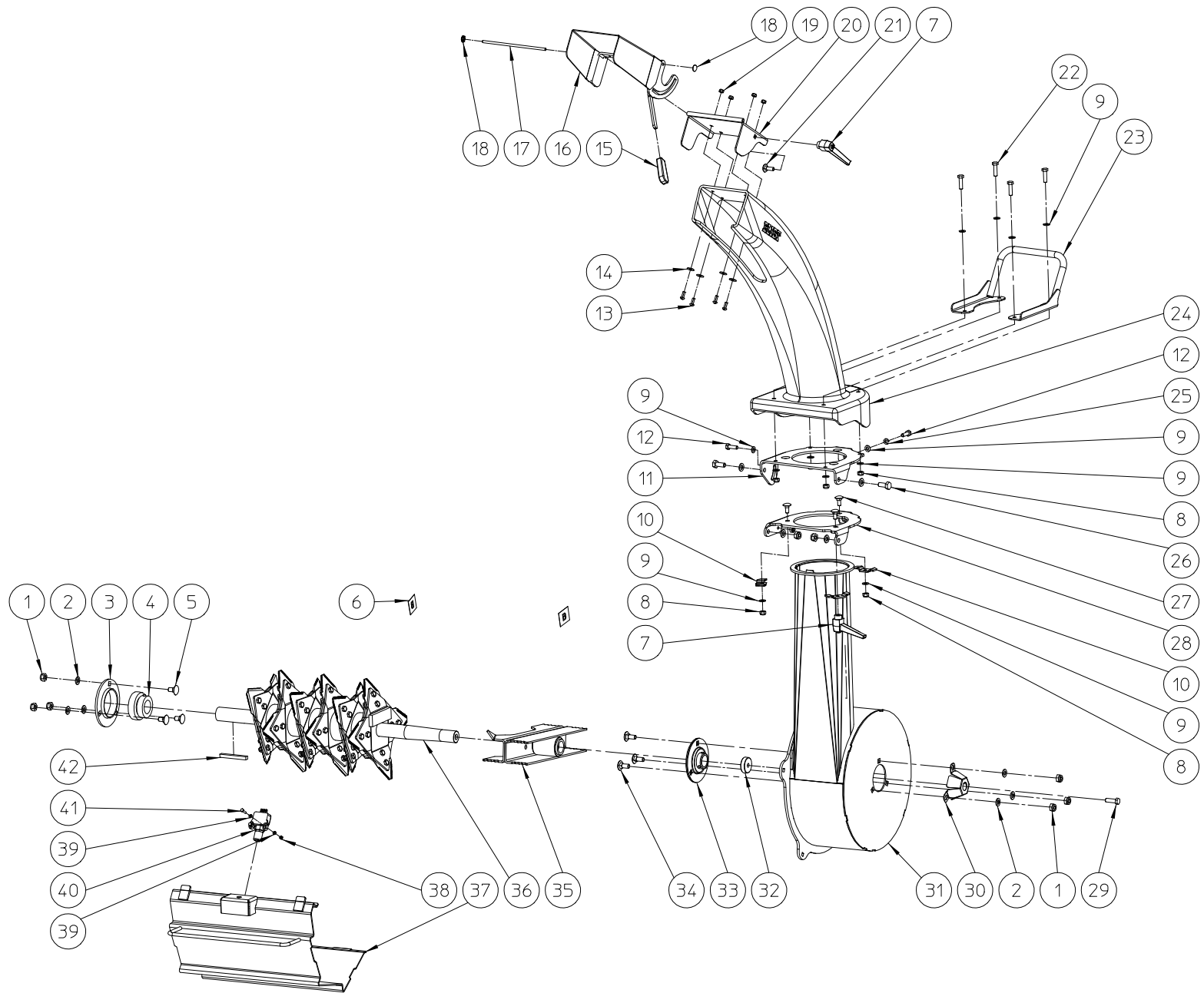


PROF5 REMORQUE -- HYDRO						
NO	MMA 01 052 120	REV	1	DATE	2014/07/08	

#	Order nr	article description	quantity
1	BN 230 101 209	rubber plate	1
2	BS 512 000 620	bolt m6x20 din 933	2
3	BS 531 000 600	washer m6 din 125	35
4	MPA 01 051 285	lift handle pinch roll	1
5	BR 111 100 200	nylon bushing (10.5/21x2.5)	1
6	BR 112 100 600	nylon bushing with collar (10/13.5/25x6/2.5)	1
7	MPA 01 050 310	bushing	1
8	BS 502 000 600	self locking nut m6 din 985	21
9	BQ 501 050 140	sticker hydro 40 x 45	2
10	MPA 01 051 235	hinge lift handle	1
11	BH 509 251 006	male stud coupling 10lx3/8" bo	2
12	BH 331 205 010	hydraulic engine epmm 50cc	1
13	MPA 01 050 270	hinge hydraulic kit	2
14	BR 112 152 100	nylon bushing with collar (15.4/18/23x21/1)	2
15	MPA 01 051 265	support hydraulic engine	1
16	BS 522 100 625	screw m6x25 din 7991	3
17	MPA 01 070 430	spacer ring	1
18	BS 512 000 830	bolt m8x30 din 933	4
19	BB 341 050 516	key 5x5x16 din 6880	1
20	BS 531 000 800	washer m8 din 125	5
21	BS 502 000 800	self locking nut m8 din 985	4
22	MPA 01 051 215	hinged plate pinch roll	1
23	BS 551 100 646	eye bolt m6x70 din 444	1
24	MPA 01 051 225	pinch roll	1
25	BB 001 000 320	retaining ring 32 din 471	1
26	BS 532 008 254	washer m8x25x2	2
27	BS 534 000 800	lock washer m8 din 6798a	2
28	BR 112 262 112	nylon bushing with collar (26/35.5/40x21/2)	1
29	MPA 01 050 220	spacer ring	1
30	BB 341 080 715	key 8x7x15 din 6880	1
31	BA 161 027 000	sprocket simplex 3/8"x7/32" 27t	1
32	BA 161 011 162	sprocket simplex 3/8"x7/32" 11t	1
33	BS 532 006 224	washer m6x22x2	1
34	BS 534 000 600	lock washer m6 din 6798a	11
35	BS 522 500 610	screw m6x10 iso 7380	3
36	BA 101 056 010	chain simplex 3/8"x7/32" 56l	1
37	MPA 01 051 300	chain protection	1
38	BS 512 000 616	bolt m6x16 din 933	10
39	BV 919 000 020	spring	2
40	BB 221 105 100	pop plug alu 4.8x10 din 7337 a	4
41	MPA 01 050 240	protection plate for nylon bearing	1
42	BR 112 262 111	nylon bushing with collar (26/35.5/40x21/2)	1
43	BS 551 000 630	eye bolt m6x30 din 444	2
44	MPA 01 051 551	spacer	2
45	MPA 01 051 790	reinforcement spring	2
46	MPA 01 051 240	sideplate	1
47	BS 522 100 820	screw m8x20 din 7991	2
48	BH 281 001 201	pump coupling	2
49	BS 521 100 530	screw m5x30 din 912	4
50	BS 521 100 540	screw m5x40 din 912	4
51	BT 136 260 813	hose insert 1/2"x13mm	1
52	BY 100 106 100	grease fitting m6 din 71412	1

53	BS 023 000 810	set screw m8x10 din 916	2
54	BA 521 210 300	belt xpa 1030	1
55	BA 565 709 003	pulley spa 90x18x6	1
56	BS 511 000 647	bolt m6x75 din 931	4
57	BS 532 006 253	washer m6x25x1.5	4
58	MPA 01 052 380	plate belt tensioner	1
59	BB 351 060 625	key 6x6x25 din 6885a	1
60	BT 670 113 200	hose clamp 13x20mm	2
61	BH 281 101 180	pump support	1
62	BH 281 202 021	gear wheel z14 25x22 din5482 gr 2/2	1
63	BH 210 402 500	hydraulic pump 1p s2.5 1.6cc	1
64	MPA 01 051 295	right protection	1
65	BH 509 211 008	male stud coupling 10lx1/2"	1
66	BS 512 000 844	bolt m8x60 din 933	1
67	BH 551 050 700	flexible hydraulic hose 5/16"x700	1
68	BS 502 000 500	self locking nut m5 din 985	4
69	BS 532 005 202	washer m5x20x1.5	4
70	BH 509 211 206	male stud coupling 12lx3/8"	1
71	MPA 01 052 400	tube return	1
72	BR 200 213 095	hydraulic pipe 13x19x950mm	1
73	BH 280 306 060	filter 3/8 bsp	1
74	BH 509 211 004	male stud coupling 10lx1/4"	1
75	BH 518 500 400	blanking plug 1/4"	1
76	BH 513 111 206	banjo 12lx3/8"	2
77	MPA 01 051 575	end piece	1
78	BA 230 010 800	ball joint m8	2
79	BH 812 345 350	o-ring 34,52 x 3,53 mm viton	1
80	MPA 01 052 360	operating rod distribution block	1
81	BY 717 204 013	tank 13l	1
82	MPA 01 052 500	bracket fuel tank	2
83	BH 509 211 208	male stud coupling 12lx1/2"	1
84	BH 509 251 004	male stud coupling 10lx1/4" bo	2
85	MPA 01 052 410	tube return	1
86	MPA 01 052 490	safety handle	1
87	BR 112 120 410	nylon bushing with collar (12/15/25x4/2)	2
88	BR 020 501 250	tube cap Ø 25mm	2
89	BH 518 500 600	blanking plug 3/8"	1
90	BH 400 001 000	hydraulic valve bm 20/1 1/4" a1	1
91	MPA 01 052 390	fixation filter	1
92	MPA 01 051 290	left protection	1
93	BS 554 100 616	bolt m6x16 din 603	2
94	BS 554 100 641	bolt m6x45 din 603	2
95	MPA 01 051 245	protectionplate hydraulic lines	1
96	BH 551 051 680	flexible hydraulic hose 5/16"x1680	2

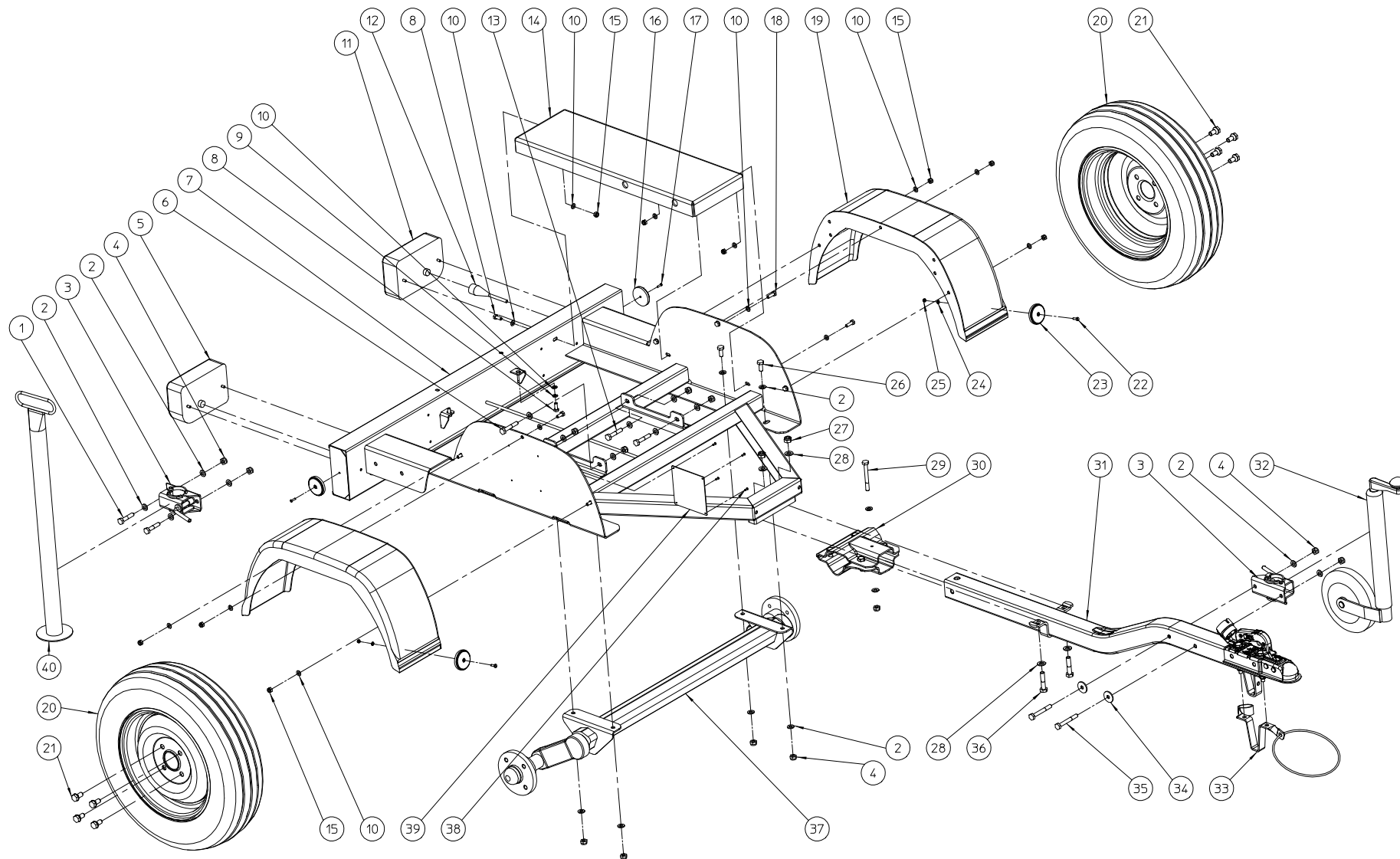




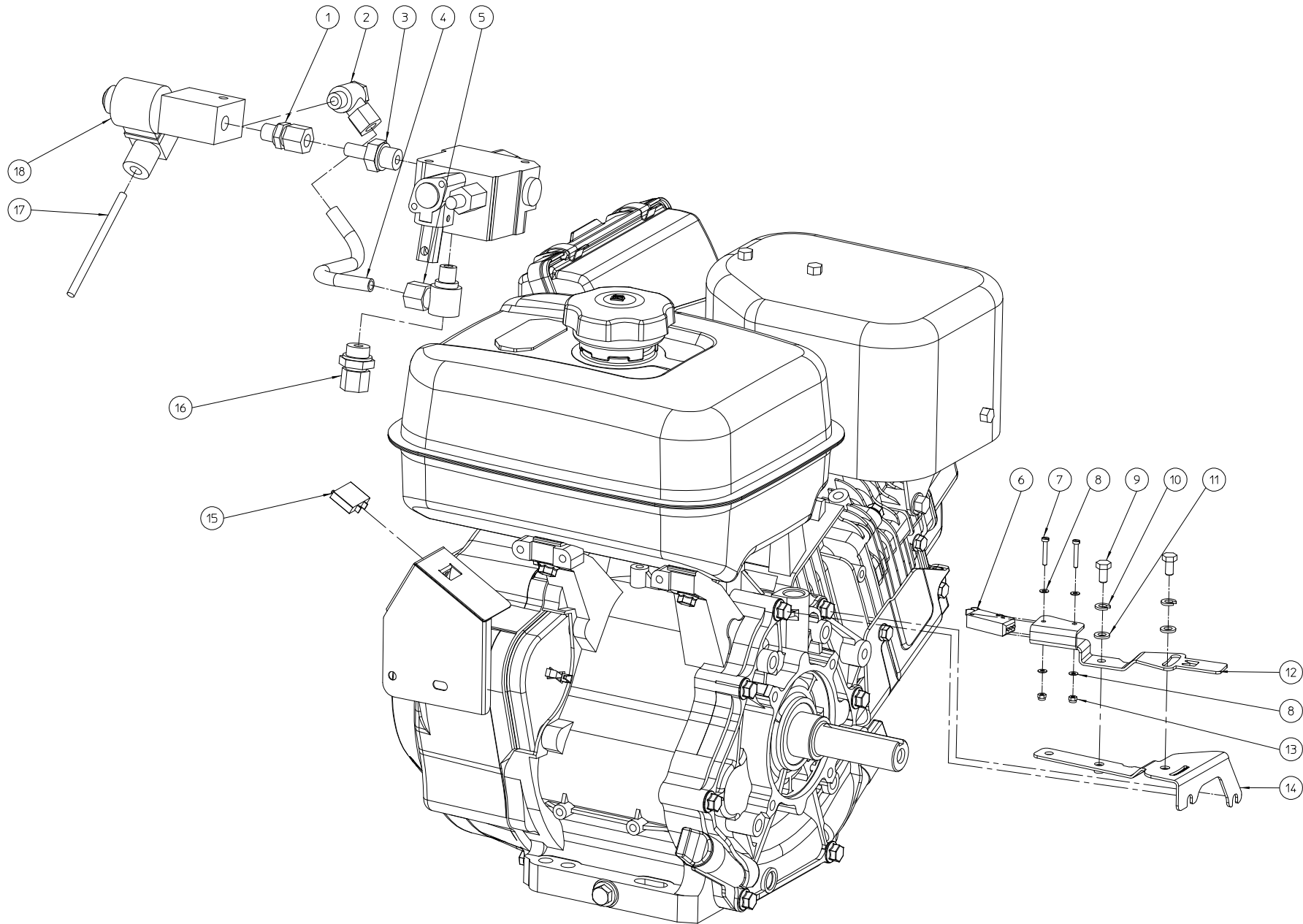
PROF5 REMORQUE--- TRLO

NO	MMA 01 052 130	REV	2	DATE	2016/02/10
----	----------------	-----	---	------	------------

#	Order nr	article description	quantity
1	BS 502 001 000	self locking nut m10 din 985	8
2	BS 531 001 000	washer m10 din 125	10
3	BL 711 503 500		1
4	BL 543 507 205		1
5	BS 554 101 020	bolt m10x20 din603	3
6	BQ 501 050 170	sticker blower 40 x 47	2
7	BN 530 108 800	clamp levers	2
8	BS 502 000 800	self locking nut m8 din 985	7
9	BS 531 000 800	washer m8 din 125	12
10	MPA 01 052 760		3
11	MPA 01 052 730		1
12	BS 512 000 825	bolt m8x25 din 933	2
13	BS 522 500 616	screw m6x16 iso 7380	4
14	BS 532 006 183	washer m6x18x1.5	4
15	BN 230 100 202	plastic handgripp 15x5x6 pvc	1
16	MPA 01 052 650		1
17	MPA 01 052 670		1
18	BB 011 000 080	starlock 8mm	2
19	BS 502 000 600	self locking nut m6 din 985	4
20	MPA 01 052 660		1
21	BS 554 100 825	bolt m8x25 din 603	1
22	BS 512 000 830	bolt m8x30 din 933	4
23	MPA 01 073 280	handle ejection	1
24	BR 930 070 010	discharge tunnel	1
25	BS 533 000 800	lock washer m8 din 127b	1
26	BS 512 001 025	bolt m10x25 din 933	2
27	BS 554 100 820	bolt m8x20 din 603	3
28	MPA 01 052 740		1
29	BS 011 081 030		1
30	MPA 01 051 455	protection	1
31	MPA 01 052 750		1
32	MPA 01 052 040	disc ring	1
33	BL 801 503 001	kit bearing aspf 206 complete	1
34	BS 554 101 025	bolt m8x60 din603	3
35	MPA 01 051 440	propeller	1
36	MPA 01 051 450	rotor option	1
37	MPA 01 052 430	closing plate	1
38	BS 502 000 400	self locking nut m4 din 985	2
39	BS 531 000 400	washer m4 din 125	4
40	BE 120 030 020	safety switch	1
41	BS 512 000 420	bolt m4x20 din 933	2
42	BB 341 100 875	key 10x8x75 din 6880	1



#	Order nr	article description	quantity
1	BS 511 001 042	bolt m10x50 din 931	2
2	BS 531 001 000	washer m10 din 125	24
3	BY 728 010 100	clamp support wheel	2
4	BS 502 001 000	self locking nut m10 din 985	13
5	BY 707 120 502		1
6	BS 511 001 044	bolt m10x60 din 931	1
7	MPA 01 052 460	trailer	1
8	BS 512 000 820	bolt m8x20 din 933	9
9	BS 533 000 800	lock washer m8 din 127b	2
10	BS 531 000 800	washer m8 din 125	20
11	BY 707 120 501		1
12	BY 707 120 503		1
13	BS 511 001 043	bolt m10x55 din931	3
14	MPA 01 052 510	exhaust pipe subaru	1
15	BS 502 000 800	self locking nut m8 din 985	9
16	BY 708 122 010		2
17	BB 221 104 160	pop plug alu 3.9x16 din 7337 a	2
18	BS 512 000 825	bolt m8x25 din 933	2
19	BY 722 400 400		2
20	BW 054 055 000		2
21	BS 512 301 220	bolt m12x1.5x20 din 961	8
22	BS 541 000 516	screw m5x16 din 84	2
23	BY 708 112 010	round reflector white d60	2
24	BS 531 000 500	washer m5 din 125	2
25	BS 502 000 500	self locking nut m5 din 985	2
26	BS 512 001 025	bolt m10x25 din 933	4
27	BS 502 001 200	self locking nut m12 din 985	2
28	BS 531 001 200	washer m12 din 125	4
29	BS 511 001 049	bolt m10x90 din 931	1
30	BY 709 601 100		1
31	BY 709 601 000		1
32	BY 727 000 100	support wheel	1
33	BY 709 600 200	safety cable	1
34	BS 532 010 356	washer m10x35x3	2
35	BS 511 001 048	bolt m10x80 din 931	2
36	BS 511 001 243	bolt m12x55 din 931	2
37	BY 726 020 070		1
38	BB 221 103 100	pop plug alu 3x10 din 7337 a	4
39	MPA 01 052 680		1
40	BY 709 600 602		1



ELIET PROF V-- ABM HYDRO					
NO	MMA 01 051 190	REV	2	DATE	2014/01/24

#	Order nr	article description	quantity
1	BH 509 211 004	male stud coupling 10lx1/4"	1
2	BH 513 111 004	banjo 10lx1/4"	1
3	BH 512 631 006	standpipe adaptor 10sx3/8"	1
4	MPA 01 051 370	pipe ev zr	1
5	BH 513 011 004	banjo with inner hexagon 10lx1/4"	1
6	BE 120 010 500	safety switch	0
7	BS 541 000 320	screw m3x20 din 84	2
8	BS 531 000 300	washer m3 din 125	4
9	BS 512 000 612	bolt m6x12 din 933	2
10	BS 533 000 600	lock washer m6 din 127b	2
11	BS 531 000 600	washer m6 din 125	2
12	MPA 01 051 355	contact support abm subaru	1
13	BS 502 000 300	self locking nut m3 din 985	2
14	MPA 01 051 375	support abm	1
15	BE 160 015 000	supressor module	1
16	BH 509 221 017	male stud coupling 10lxm18x1	1
17	BE 092 021 701	liyy wire 1mm	1
18	BH 410 001 000	solenoid valve 2/2 nc 1/4"	1