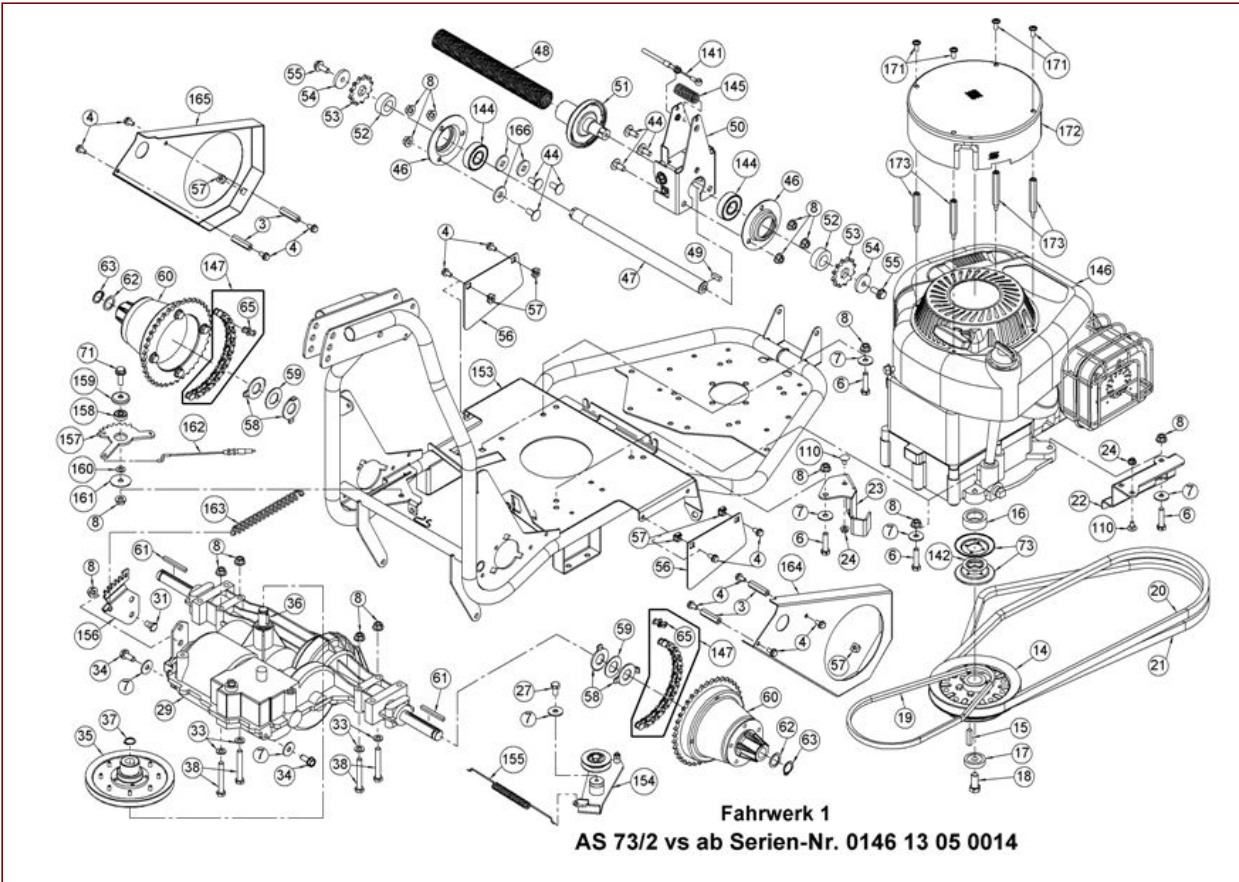


AS 73 4T B&S and AS 73/2 vs from serial No. 014608070001 – ET documentation – Chassis Fig. 1

Pos	Art-Nr.	E-Nr.	Menge	Beschreibung	Modell	Info
3	G00007052	E07876	4	Connection nut (2 Stk.)		
4	G00009016	E04631	12	Hexagon screw with serration (5 Stk.)		
6	G07838044	E05609	4	Hexagon screw (5 Stk.)		
7	G07880006	E03957	7	Disc (20 Stk.)		
8	G00007042	E06037	16	Selflocking nut with serrated bearing (3		
9	G00510010	E07871	3	Angle bracket		
10	G00009102	E07898	3	Inch screw		
11	G00510007	E07870	1	Ventilation grid		
12	G07880004	E03914	3	Disc (20 Stk.)		
13	G07890025	E06093	3	Flanged self-tapping screw (2 Stk.)		
14	G06725052	E08088	1	Engine hub total		
15	G07865010	E06713	1	Feather key		
16	G00024033	E08081	1	Engine sleeve		
17	G00010106	E07879	1	Drive pulley		
18	G00009066	E06716	1	Inch screw (2 Stk.)		
19	G07857023	E06890	1	V-belt		
20	G07857035	E08304	1	High performance V-belt		
21	G07857033	E08228	1	High performance V-belt		
22	G06725038	E07737	1	Belt holder		
23	G06720012	E07691	1	Counter support		
24	G00007041	E05975	2	Selflocking nut with serrated bearing (3		
27	G07838026	E03932	1	Hexagon screw (10 Stk.)		
29	G06730001	E07878	1	Shift transmission		
31	G00009041	E05728	1	Collar screw		
33	G07809004	E01905	4	Disc (20 Stk.)		
34	G07890015	E06032	2	Flanged self-tapping screw (2 Stk.)		
35	G06730009	E08315	1	Belt pulley transmission total		
36	G07866004	E06682	1	Curved washer (3 Stk.)		
37	G07822008	E04351	1	Circlip for shaft (20 Stk.)		
38	G07837005	E03142	4	Hexagon screw (4 Stk.)		
44	G07827004	E04379	6	Mushroom head square neck bolt (5 Stk.)		
46	G06725312	E08237	2	Bearing plate		
47	G06725302	E08245	1	Clutch shaft		
48	G00026032	E08247	1	Concertina hose		
49	G07865019	E07723	1	Feather key (4 Stk.)		
50	G06725314	E08272	1	Lever total		
51	G06725305	E08240	1	Clutch total		
52	G06725316	E08248	2	Chain pinion support ring		
53	G06725013	E07687	2	Pinion 12 teeth		
54	G00010133	E12385	2	Disc		
55	G00009108	E08177	2	Hexagon screw with serration (3 Stk.)		
56	G06726004	E07715	2	Side protector		
57	G00007055	E08289	6	Box nut (5 Stk.)		
58	G06721003	E07700	4	Thrust washer		
59	G00010105	E07873	2	Thrust washer		
60	G06721005	E08319	2	Wheel hub total		
61	G07865015	E07267	2	Feather key (2 Stk.)		
62	G07847046	E07725	2	Shim (3 Stk.)		
63	G07822013	E07726	2	Circlip for shaft (4 Stk.)		
65	G06525035	E06425	2	Chain joint		
71	G00009085	E06761	1	Hexagon screw		
73	G06725051	E08082	2	Belt pulley half dw 62,5		
110	G07827003	E04262	2	Mushroom head square neck bolt (5 Stk.)		
141	G00020118	E08253	1	Differential cable		
142	G07847045	E07224	1	Shim (5 Stk.)		
144	G07830019	E04737	2	Deep groove ball bearing		
145	G00001084	E08246	1	Pressure spring		
146	G00501027	E10306	1	Engine B&S with oil pressure switch		

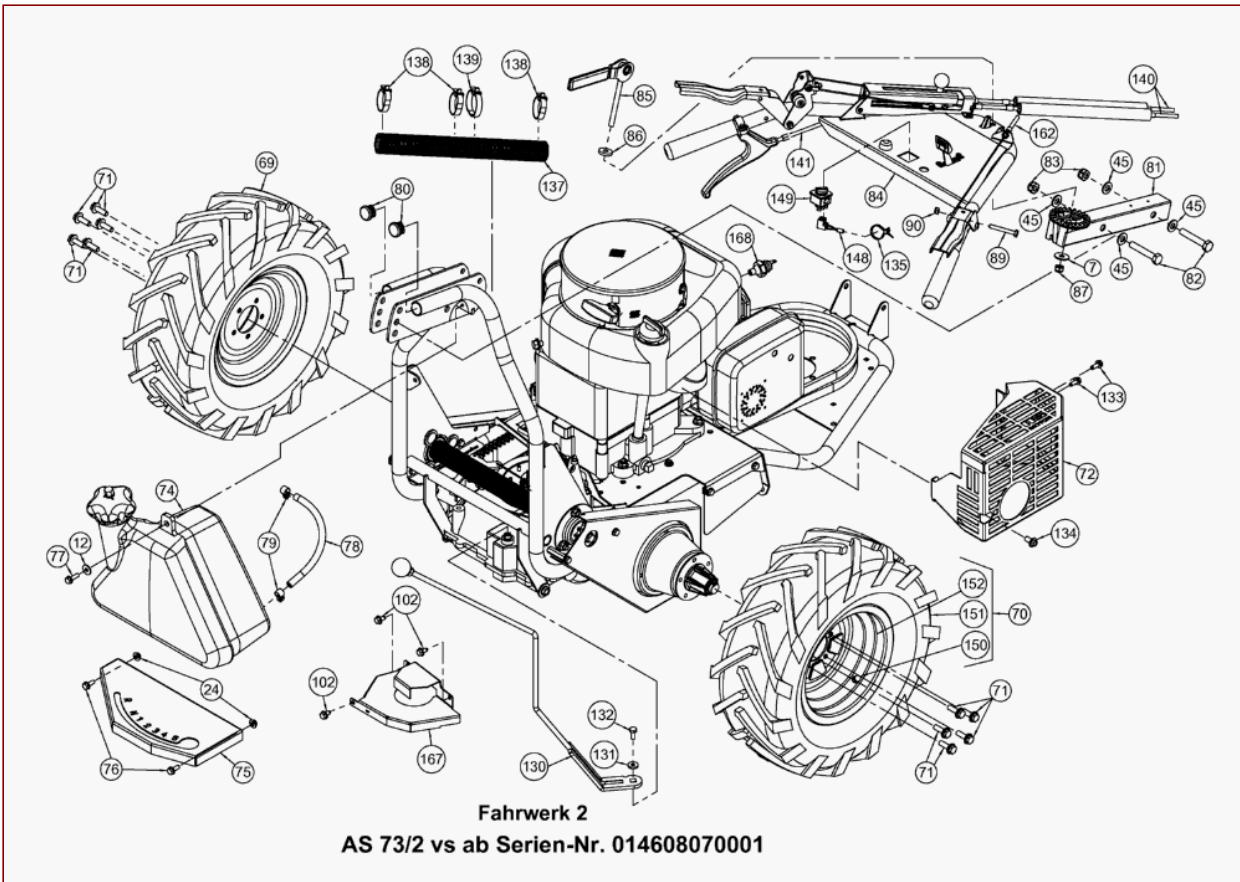
147	G06580018	E10819	2	Chain 59 links with lock		
153	G06720034	E10768	1	Engine mount total		
154	G06725056	E10824	1	Tensioning roller carrier		
155	G00002065	E10773	1	Draw spring		
156	G06730016	E10770	1	Brake lever plate		
157	G06730017	E10771	1	Deflection lever		
158	G07830031	E07211	1	Deep groove ball bearing		
159	G06822031	E08449	1	Bearing washer		
160	G07856010	E04337	1	Disc spring (5 Stk.)		
161	G00010109	E08394	1	Mudguard washer (5 Stk.)		
162	G00020148	E10760	1	Drive cable		
163	G00002064	E10772	1	Draw spring		
164	G06726026	E10776	1	Chain protection right		
165	G06726025	E10775	1	Chain protection left		
166	G07810007	E10774	3	Disc (3 Stk.)		



AS 73 4T B&S and AS 73/2 vs from serial No. 014608070001 – ET documentation – Chassis Fig. 1 from serial No. 014613050014

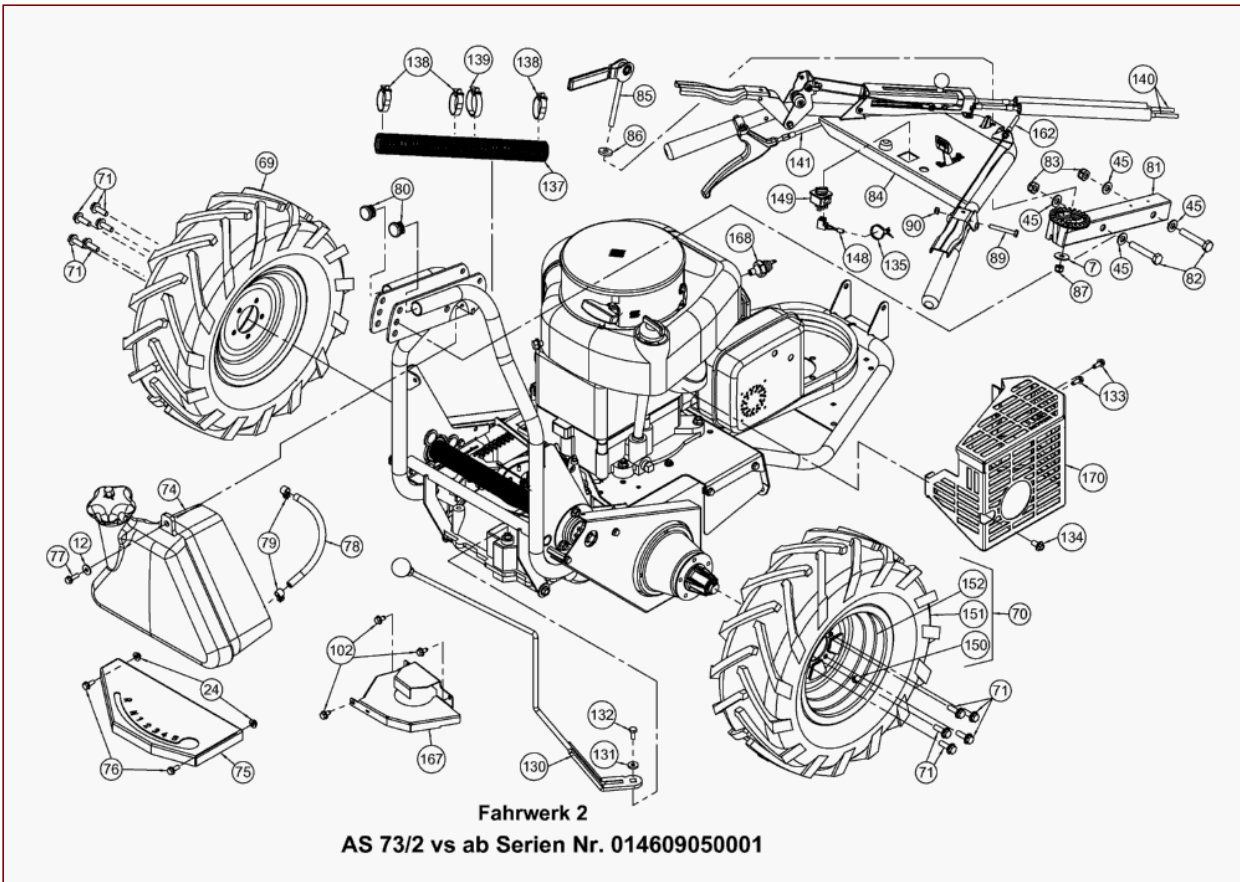
Pos	Art-Nr.	E-Nr.	Menge	Beschreibung	Modell	Info
3	G00007052	E07876	4	Connection nut (2 Stk.)		
4	G00009016	E04631	10	Hexagon screw with serration (5 Stk.)		
6	G07838044	E05609	4	Hexagon screw (5 Stk.)		
7	G07880006	E03957	7	Disc (20 Stk.)		
8	G00007042	E06037	16	Selflocking nut with serrated bearing (3		
14	G06725052	E08088	1	Engine hub total		
15	G07865010	E06713	1	Feather key		
16	G00024033	E08081	1	Engine sleeve		
17	G00010106	E07879	1	Drive pulley		
18	G00009066	E06716	1	Inch screw (2 Stk.)		
19	G07857023	E06890	1	V-belt		
20	G07857035	E08304	1	High performance V-belt		
21	G07857033	E08228	1	High performance V-belt		
22	G06725038	E07737	1	Belt holder		
23	G06720012	E07691	1	Counter support		
24	G00007041	E05975	2	Selflocking nut with serrated bearing (3		
27	G07838026	E03932	1	Hexagon screw (10 Stk.)		
29	G06730001	E07878	1	Shift transmission		
31	G00009041	E05728	1	Collar screw		
33	G07809004	E01905	4	Disc (20 Stk.)		
34	G07890015	E06032	2	Flanged self-tapping screw (2 Stk.)		
35	G06730009	E08315	1	Belt pulley transmission total		
36	G07866004	E06682	1	Curved washer (3 Stk.)		
37	G07822008	E04351	1	Circlip for shaft (20 Stk.)		
38	G07837005	E03142	4	Hexagon screw (4 Stk.)		
44	G07827004	E04379	6	Mushroom head square neck bolt (5 Stk.)		
46	G06725312	E08237	2	Bearing plate		
47	G06725302	E08245	1	Clutch shaft		
48	G00026032	E08247	1	Concertina hose		
49	G07865019	E07723	1	Feather key (4 Stk.)		
50	G06725314	E08272	1	Lever total		
51	G06725305	E08240	1	Clutch total		
52	G06725316	E08248	2	Chain pinion support ring		
53	G06725013	E07687	2	Pinion 12 teeth		
54	G00010133	E12385	2	Disc		
55	G00009108	E08177	2	Hexagon screw with serration (3 Stk.)		
56	G06726004	E07715	2	Side protector		
57	G00007055	E08289	6	Box nut (5 Stk.)		
58	G06721003	E07700	4	Thrust washer		
59	G00010105	E07873	2	Thrust washer		
60	G06721005	E08319	2	Wheel hub total		
61	G07865015	E07267	2	Feather key (2 Stk.)		
62	G07847046	E07725	2	Shim (3 Stk.)		
63	G07822013	E07726	2	Circlip for shaft (4 Stk.)		
65	G06525035	E06425	2	Chain joint		
71	G00009085	E06761	1	Hexagon screw		
73	G06725051	E08082	2	Belt pulley half dw 62,5		
110	G07827003	E04262	2	Mushroom head square neck bolt (5 Stk.)		
141	G00020118	E08253	1	Differential cable		
142	G07847045	E07224	1	Shim (5 Stk.)		
144	G07830019	E04737	2	Deep groove ball bearing		
145	G00001084	E08246	1	Pressure spring		
146	G00501027	E10306	1	Engine B&S with oil pressure switch		
147	G06580018	E10819	2	Chain 59 links with lock		
153	G06720034	E10768	1	Engine mount total		
154	G06725056	E10824	1	Tensioning roller carrier		
155	G00002065	E10773	1	Draw spring		

156	G06730016	E10770	1	Brake lever plate		
157	G06730017	E10771	1	Deflection lever		
158	G07830031	E07211	1	Deep groove ball bearing		
159	G06822031	E08449	1	Bearing washer		
160	G07856010	E04337	1	Disc spring (5 Stk.)		
161	G00010109	E08394	1	Mudguard washer (5 Stk.)		
162	G00020148	E10760	1	Drive cable		
163	G00002064	E10772	1	Draw spring		
164	G06726026	E10776	1	Chain protection right		
165	G06726025	E10775	1	Chain protection left		
166	G07810007	E10774	3	Disc (3 Stk.)		
171	G00009159	E11673	4	Dome head screw with Torx (10 Stk.)		
172	G06726029	E13043	1	Ventilation grid		
173	G06726032	E13053	4	Stay pin		



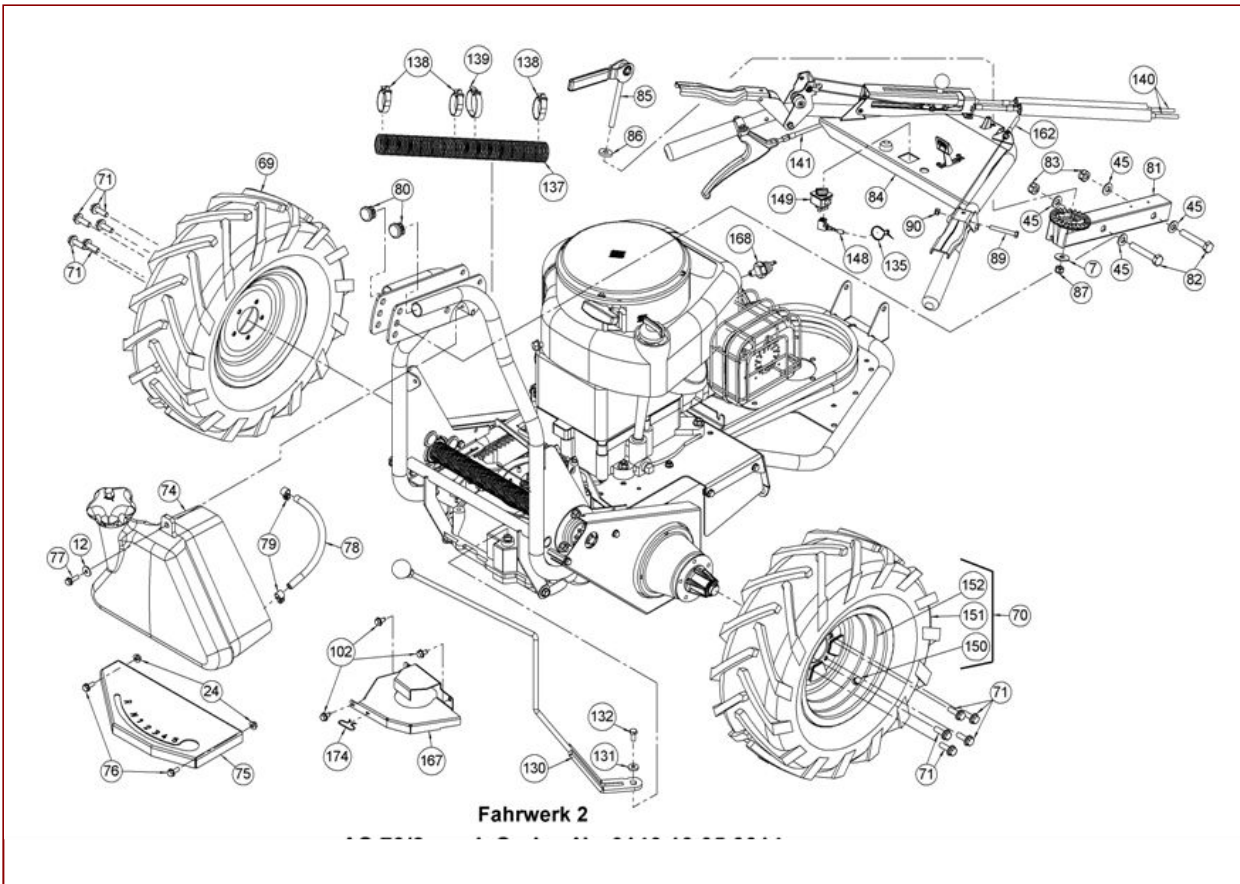
AS 73 4T B&S and AS 73/2 vs from serial No. 014608070001 – ET documentation – Chassis Fig. 2

Pos	Art-Nr.	E-Nr.	Menge	Beschreibung	Modell	Info
7	G07880006	E03957	1	Disc (20 Stk.)		
12	G07880004	E03914	1	Disc (20 Stk.)		
24	G00007041	E05975	2	Selflocking nut with serrated bearing (3		
45	G07809008	E03668	4	Disc (5 Stk.)		
69	G06521011	E06458	1	Wide tyre left 16X6.50-8		
70	G06521010	E06457	1	Wide tyre right 16X6.50-8		
71	G00009085	E06761	10	Hexagon screw		
72	G06726020	E08089	1	Replaced by E10962		
72	G06726027	E10962	1	Exhaust pipe guard		
74	G06580008	E06490	1	Fuel tank total with cap		
75	G06730015	E08026	1	Gear change indicator		
76	G00009094	E07247	2	Locking screw (2 Stk.)		
77	G00009074	E06365	1	Self-tapping screw (2 Stk.)		
78	G06906002	E11525	1	Fuel hose 1405 long		
79	G00034011	E03626	2	Hose clamp		
80	G00029009	E06141	2	Lamella plugs (2 Stk.)		
81	G06522001	E06729	1	Intermediate strut total		
82	G07837003	E01958	2	Hexagon screw (2 Stk.)		
83	G07846005	E01968	2	Self-locking hex nut (10 Stk.)		
84	G06722034	E08325	1	Handlebar total		
85	G07322010	E10119	1	Eccentric lever with eyebolt		
86	G07861006	E07940	1	Disc		
87	G07846001	E01912	1	Self-locking hex nut (10 Stk.)		
89	G07837068	E07643	1	Hexagon screw (2 Stk.)		
90	G07918001	E07269	1	Self-locking hex nut (6 Stk.)		
102	G07890025	E06093	3	Flanged self-tapping screw (2 Stk.)		
130	G06730010	E08027	1	Shift rod total		
131	G07861005	E07877	1	Disc (2 Stk.)		
132	G00009061	E06679	1	Inch screw (5 Stk.)		
133	G00009106	E08095	2	Inch screw (2 Stk.)		
134	G00009107	E08096	1	Inch screw		
135	G00026006	E07956	1	Cable tape (4 Stk.)		
137	G00026030	E07952	1	Concertina hose		
138	G00026004	E04391	3	Cable tape (2 Stk.)		
139	G00026003	E03782	1	Cable tape (2 Stk.)		
140	G00020100	E07800	1	Blade drive cable		
141	G00020118	E08253	1	Differential cable		
148	G06727010	E10617	1	Switch cable for cut-out valve		
149	G06727001	E07939	1	Selector switch		
150	G06521014	E06570	2	Tube for wide wheels		
151	G06550012	E07684	2	Cover for wide tyre		
152	G06550014	E08029	2	Rim for wide tyre		
162	G00020148	E10760	1	Drive cable		
167	G06726311	E10777	1	Cover rear		
168	G00550004	E06744	1	Oil pressure switch		



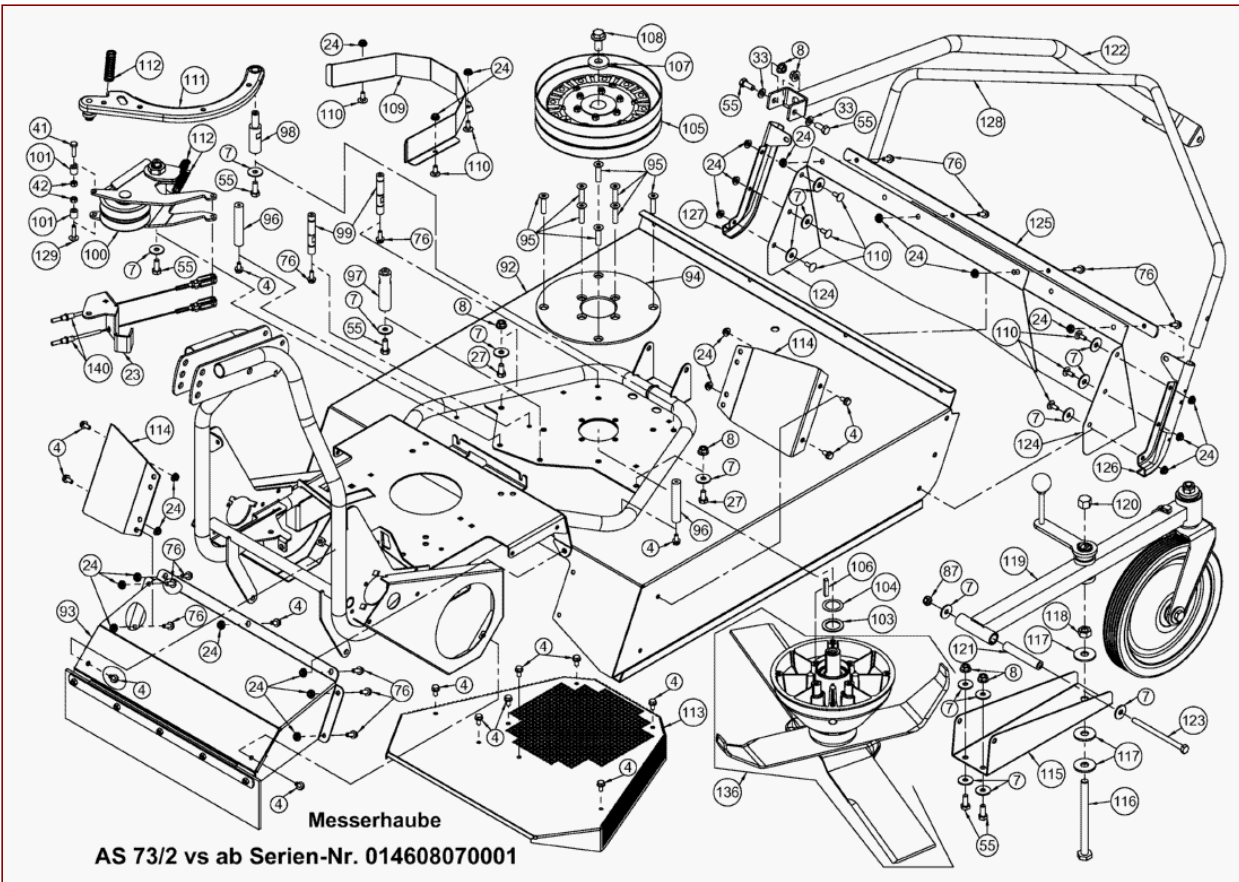
AS 73 4T B&S and AS 73/2 vs from serial No. 014608070001 – ET documentation – Chassis Fig. 2 from serial No. 014609050001

Pos	Art-Nr.	E-Nr.	Menge	Beschreibung	Modell	Info
7	G07880006	E03957	1	Disc (20 Stk.)		
12	G07880004	E03914	1	Disc (20 Stk.)		
24	G00007041	E05975	2	Selflocking nut with serrated bearing (3		
45	G07809008	E03668	4	Disc (5 Stk.)		
69	G06521011	E06458	1	Wide tyre left 16X6.50-8		
70	G06521010	E06457	1	Wide tyre right 16X6.50-8		
71	G00009085	E06761	10	Hexagon screw		
74	G06580008	E06490	1	Fuel tank total with cap		
75	G06730015	E08026	1	Gear change indicator		
76	G00009094	E07247	2	Locking screw (2 Stk.)		
77	G00009074	E06365	1	Self-tapping screw (2 Stk.)		
78	G06906002	E11525	1	Fuel hose 1405 long		
79	G00034011	E03626	2	Hose clamp		
80	G00029009	E06141	2	Lamella plugs (2 Stk.)		
81	G06522001	E06729	1	Intermediate strut total		
82	G07837003	E01958	2	Hexagon screw (2 Stk.)		
83	G07846005	E01968	2	Self-locking hex nut (10 Stk.)		
84	G06722034	E08325	1	Handlebar total		
85	G07322010	E10119	1	Eccentric lever with eyebolt		
86	G07861006	E07940	1	Disc		
87	G07846001	E01912	1	Self-locking hex nut (10 Stk.)		
89	G07837068	E07643	2	Hexagon screw (2 Stk.)		
90	G07918001	E07269	1	Self-locking hex nut (6 Stk.)		
102	G07890025	E06093	3	Flanged self-tapping screw (2 Stk.)		
130	G06730010	E08027	1	Shift rod total		
131	G07861005	E07877	1	Disc (2 Stk.)		
132	G00009061	E06679	1	Inch screw (5 Stk.)		
133	G00009106	E08095	2	Inch screw (2 Stk.)		
134	G00009107	E08096	1	Inch screw		
135	G00026006	E07956	1	Cable tape (4 Stk.)		
137	G00026030	E07952	1	Concertina hose		
138	G00026004	E04391	3	Cable tape (2 Stk.)		
139	G00026003	E03782	1	Cable tape (2 Stk.)		
140	G00020100	E07800	1	Blade drive cable		
141	G00020118	E08253	1	Differential cable		
148	G06727010	E10617	1	Switch cable for cut-out valve		
149	G06727001	E07939	1	Selector switch		
150	G06521014	E06570	2	Tube for wide wheels		
151	G06550012	E07684	2	Cover for wide tyre		
152	G06550014	E08029	2	Rim for wide tyre		
162	G00020148	E10760	1	Drive cable		
167	G06726311	E10777	1	Cover rear		
168	G00550004	E06744	1	Oil pressure switch		
170	G06726027	E10962	1	Exhaust pipe guard		



AS 73 4T B&S and AS 73/2 vs from serial No. 014608070001 – ET documentation – Chassis Fig. 2 from serial No. 014613050014

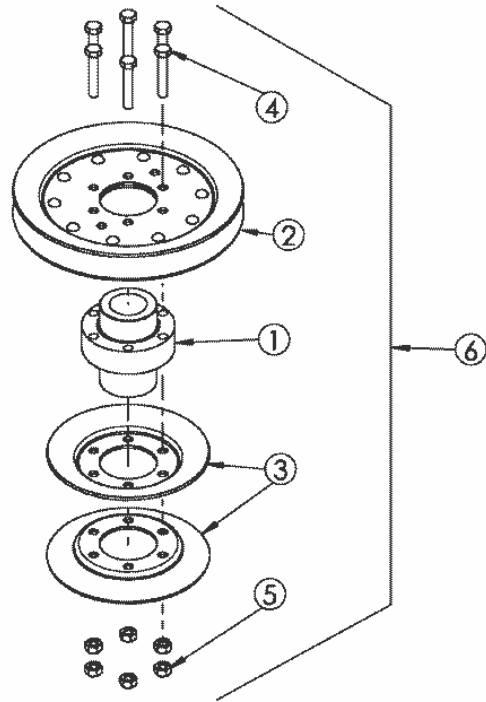
Pos	Art-Nr.	E-Nr.	Menge	Beschreibung	Modell	Info
7	G07880006	E03957	1	Disc (20 Stk.)		
12	G07880004	E03914	1	Disc (20 Stk.)		
24	G00007041	E05975	2	Selflocking nut with serrated bearing (3		
45	G07809008	E03668	4	Disc (5 Stk.)		
69	G06521011	E06458	1	Wide tyre left 16X6.50-8		
70	G06521010	E06457	1	Wide tyre right 16X6.50-8		
71	G00009085	E06761	10	Hexagon screw		
74	G06580008	E06490	1	Fuel tank total with cap		
75	G06730015	E08026	1	Gear change indicator		
76	G00009094	E07247	2	Locking screw (2 Stk.)		
77	G00009074	E06365	1	Self-tapping screw (2 Stk.)		
78	G06906002	E11525	1	Fuel hose 1405 long		
79	G00034011	E03626	2	Hose clamp		
80	G00029009	E06141	2	Lamella plugs (2 Stk.)		
81	G06522001	E06729	1	Intermediate strut total		
82	G07837003	E01958	2	Hexagon screw (2 Stk.)		
83	G07846005	E01968	1	Self-locking hex nut (10 Stk.)		
84	G06722034	E08325	1	Handlebar total		
85	G07322010	E10119	1	Eccentric lever with eyebolt		
86	G07861006	E07940	1	Disc		
87	G07846001	E01912	1	Self-locking hex nut (10 Stk.)		
89	G07837068	E07643	1	Hexagon screw (2 Stk.)		
90	G07918001	E07269	1	Self-locking hex nut (6 Stk.)		
102	G07890025	E06093	3	Flanged self-tapping screw (2 Stk.)		
130	G06730010	E08027	1	Shift rod total		
131	G07861005	E07877	1	Disc (2 Stk.)		
132	G00009061	E06679	1	Inch screw (5 Stk.)		
135	G00026006	E07956	1	Cable tape (4 Stk.)		
137	G00026030	E07952	1	Concertina hose		
138	G00026004	E04391	3	Cable tape (2 Stk.)		
139	G00026003	E03782	1	Cable tape (2 Stk.)		
140	G00020100	E07800	2	Blade drive cable		
141	G00020118	E08253	1	Differential cable		
148	G06727010	E10617	1	Switch cable for cut-out valve		
149	G06727001	E07939	1	Selector switch		
150	G06521014	E06570	2	Tube for wide wheels		
151	G06550012	E07684	2	Cover for wide tyre		
152	G06550014	E08029	2	Rim for wide tyre		
162	G00020148	E10760	1	Drive cable		
167	G06726311	E10777	1	Cover rear		
168	G00550004	E06744	1	Oil pressure switch		
174	G00005028	E04903	1	Cable holder		



AS 73 4T B&S and AS 73/2 vs from serial No. 014608070001 – ET documentation – Blade cover

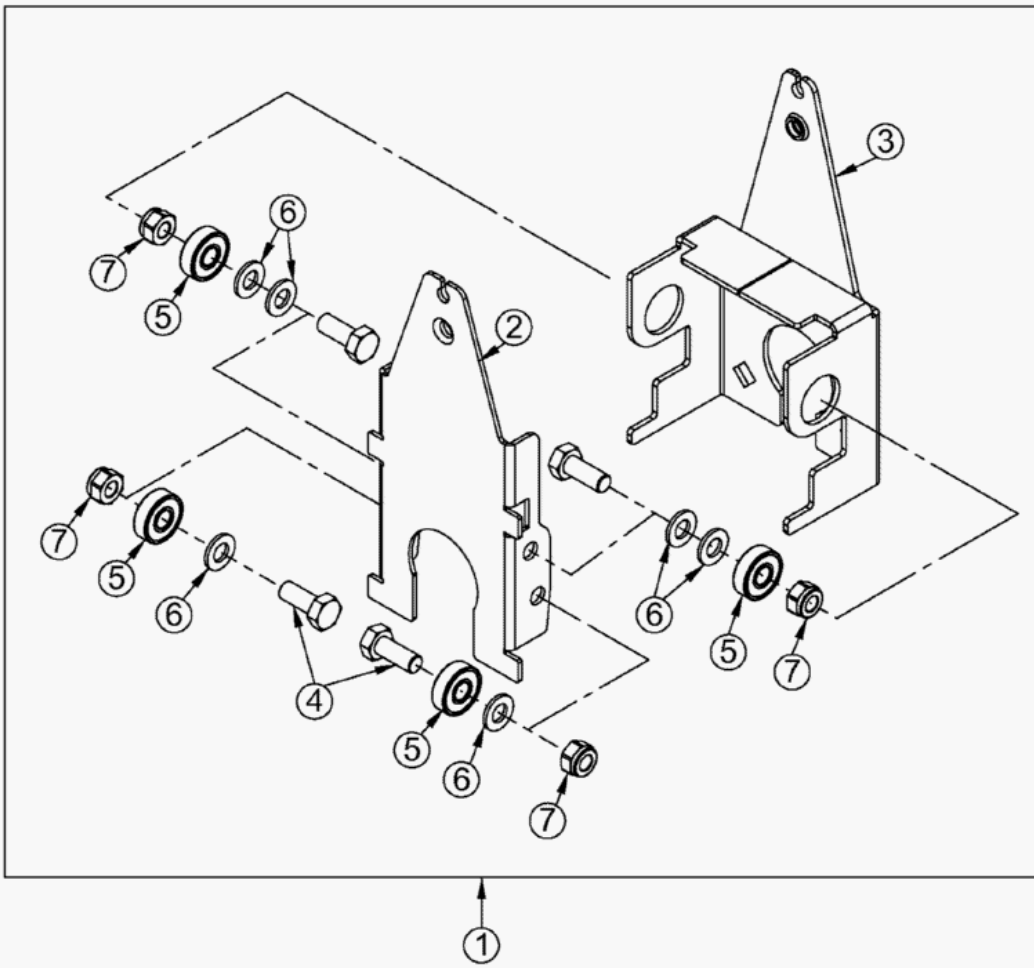
Pos	Art-Nr.	E-Nr.	Menge	Beschreibung	Modell	Info
4	G00009016	E04631	15	Hexagon screw with serration (5 Stk.)		
7	G07880006	E03957	17	Disc (20 Stk.)		
8	G00007042	E06037	6	Selflocking nut with serrated bearing (3		
23	G06720012	E07691	1	Counter support		
24	G00007041	E05975	24	Selflocking nut with serrated bearing (3		
27	G07838026	E03932	2	Hexagon screw (10 Stk.)		
33	G07809004	E01905	2	Disc (20 Stk.)		
41	G07838019	E03886	1	Hexagon screw (10 Stk.)		
42	G07906002	E06667	2	Self-locking hex nut (10 Stk.)		
55	G00009108	E08177	7	Hexagon screw with serration (3 Stk.)		
76	G00009094	E07247	12	Locking screw (2 Stk.)		
87	G07846001	E01912	1	Self-locking hex nut (10 Stk.)		
92	G06720018	E07887	1	Blade hood		
93	G06720303	E08257	1	Ejector plate total		s. Single components exploding views of proper machine.
94	G06720016	E07731	1	Hood disc		
95	G00009100	E07874	8	Countersunk screw with inside Torx (3 St		
96	G06525312	E06653	2	Belt support		
97	G06720014	E07693	1	Tension lever bearing		
98	G06734005	E07716	1	Brake lever bearing		
99	G06720013	E07692	2	Spring bolt		
100	G06725018	E08327	1	Belt tensioner total		
101	G00024007	E06034	2	Spacer sleeve		
103	G07847015	E03928	1	Supporting disc		
104	G07847040	E06304	1	Shim (3 Stk.)		
105	G06725016	E07698	1	Double pulley total		
106	G07865011	E06649	1	Feather key		
107	G07861004	E07213	1	Disc		
108	G00009097	E07718	1	Locking screw		
109	G06725039	E07738	1	Belt plate		
110	G07827003	E04262	9	Mushroom head square neck bolt (5 Stk.)		
111	G06734006	E08316	1	Brake lever total		
112	G00002056	E07867	2	Draw spring		
113	G06726014	E07890	1	Belt covering		
114	G06720021	E08076	2	Hood hard facing		
115	G06720015	E07888	1	Bar stiffener		
116	G07838069	E07720	1	Hexagon screw		
117	G07880008	E04407	3	Disc (10 Stk.)		
118	G07839015	E03921	1	Hex nut (4 Stk.)		
119	G06780013	E08321	1	Wheel strut total + DU bushes		
120	G07854004	E07880	1	Hexagon cap nut		
121	G06722007	E07704	1	Bar bolt		
122	G06722009	E07706	1	Upper strut total		
123	G07837058	E06886	1	Hexagon screw (2 Stk.)		
124	G06726003	E07257	2	Protection skirt (2 Stk.)		
125	G06726005	E07740	1	Protection skirt holder		
126	G06726002	E07744	1	Protection bar holder right		
127	G06726001	E07743	1	Protection bar holder left		
128	G06726010	E07742	1	Protection bar		
129	G07827002	E03524	1	Mushroom head square neck bolt (5 Stk.)		
136	G06723008	E08328	1	Blade bearing with blade		

140	G00020100	E07800	1	Blade drive cable		
-----	-----------	--------	---	-------------------	--	--



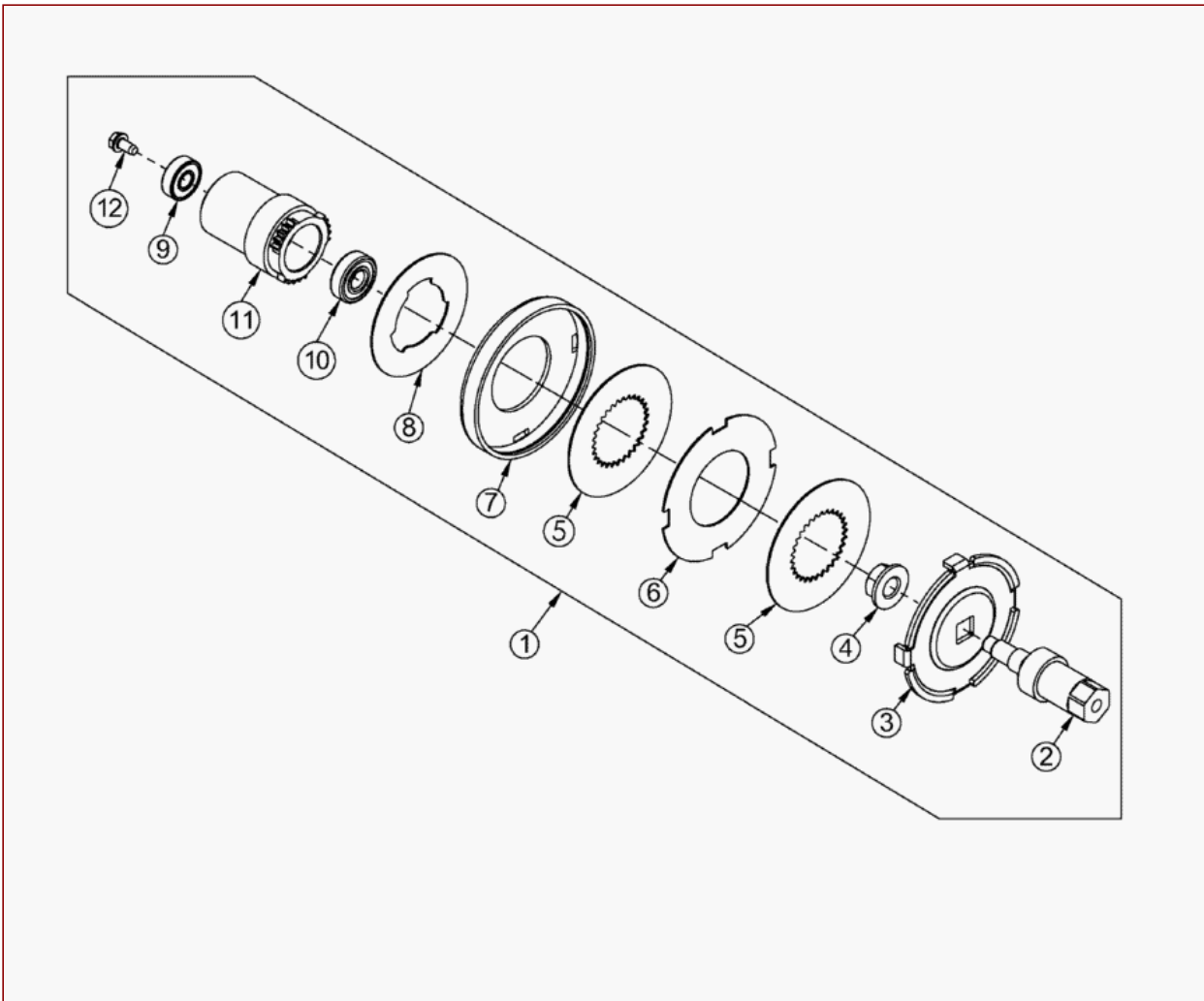
AS 73/2 vs from serial No. 014602101000 – ET documentation – Engine hub full st.

Pos	Art-Nr.	E-Nr.	Menge	Beschreibung	Modell	Info
1	G06725050	E08060	1	Engine hub		
2	G06725045	E08058	1	Belt pulley dw 145		
3	G06725048	E08059	2	Belt pulley half dw 95		
4	G07837024	E04058	6	Hexagon screw (10 Stk.)		
5	G07906002	E06667	6	Self-locking hex nut (10 Stk.)		
6	G06725052	E08088	1	Engine hub total		



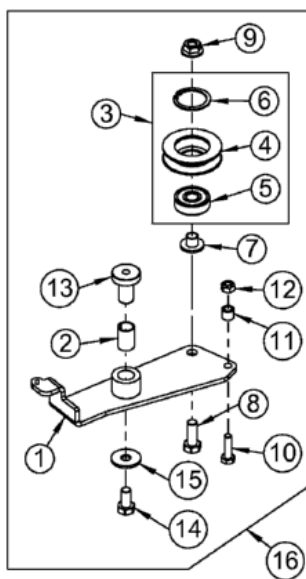
AS 65/2T cat from serial No. 019908020001 – ET documentation – Lever full st.

Pos	Art-Nr.	E-Nr.	Menge	Beschreibung	Modell	Info
1	G06725314	E08272	1	Lever total		
2	G06725304	E08238	1	Lever		
3	G06725303	E08239	1	Lever holder		
4	G07838028	E03938	4	Hexagon screw (10 Stk.)		
5	G07830031	E07211	4	Deep groove ball bearing		
6	G07809004	E01905	6	Disc (20 Stk.)		
7	G07846001	E01912	4	Self-locking hex nut (10 Stk.)		



AS 65/2T cat from serial No. 019908020001 – ET documentation – Clutch full st.

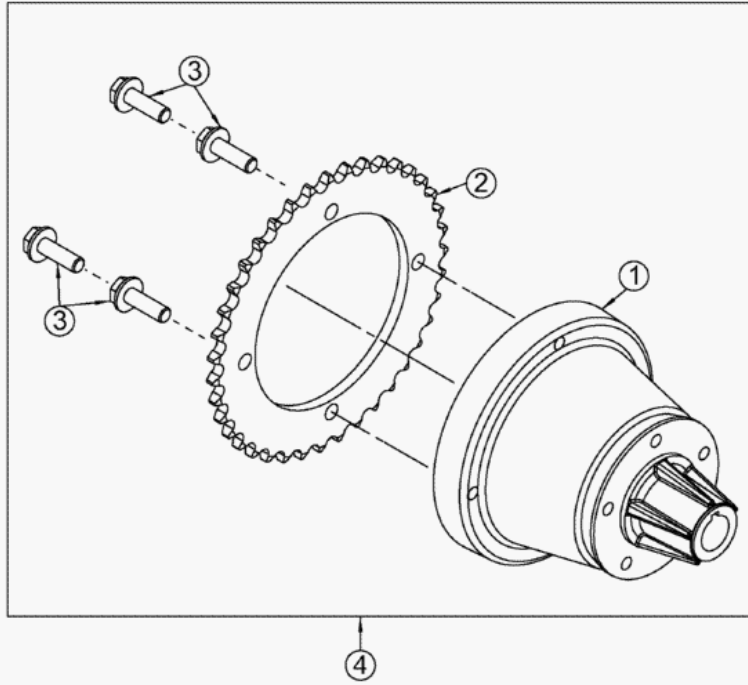
Pos	Art-Nr.	E-Nr.	Menge	Beschreibung	Modell	Info
1	G06725305	E08240	1	Clutch total		
2	G06725306	E08244	1	Pinion flange		
3	G04325096	E05410	1	Pressure plate		
4	G00007054	E08241	1	Selflocking nut with serrated bearing		
5	G04325093	E05408	2	Inner lamella		
6	G04325094	E05409	1	Outer lamellas		
7	G04325091	E05407	1	Clutch basket		
8	G06725317	E08242	1	Supporting disc		
9	G07830031	E07211	1	Deep groove ball bearing		
10	G07830014	E04345	1	Deep groove ball bearing		
11	G06725315	E08243	1	Clutch flange		
12	G07890003	E04576	1	Flanged self-tapping screw (3 Stk.)		



Spannrollenträger vollst.

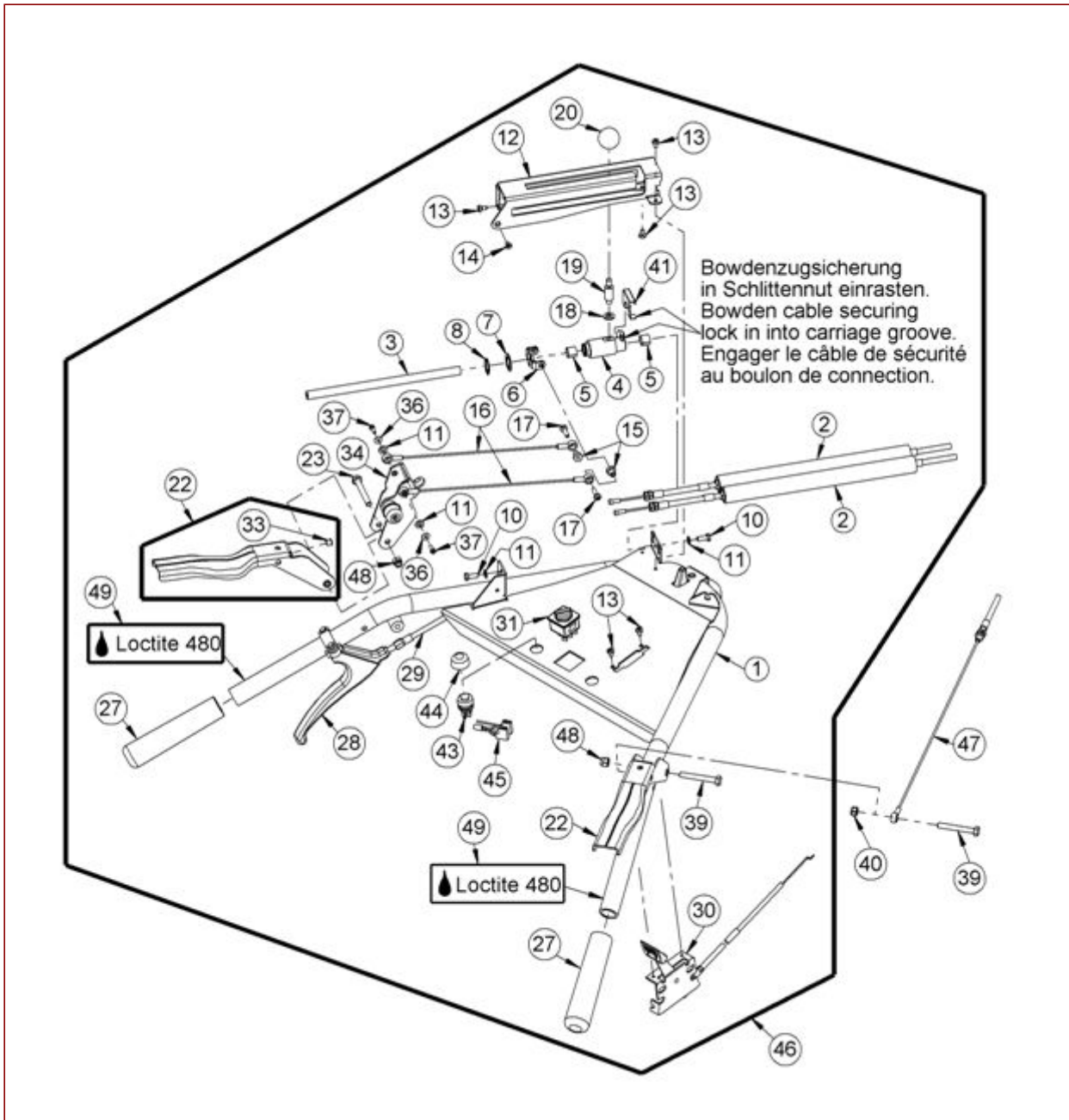
AS 65/2T cat from serial No. 019908020001 – ET documentation – Tension roller mounting full st.

Pos	Art-Nr.	E-Nr.	Menge	Beschreibung	Modell	Info
1	G06725055	E10769	1	Tensioning roller carrier complete		
2	G00028027	E06473	1	DU bush		
3	G06525063	E07208	1	Tension pulley with ball bearing		
4	G06525056	E07891	1	Tension pulley		
5	G07830025	E06524	1	Deep groove ball bearing		
6	G07823016	E07209	1	Circlip for drilled hole (2 Stk.)		
7	G06525057	E07176	1	Tensioning roller sleeve		
8	G07838047	E05320	1	Hexagon screw (10 Stk.)		
9	G00007042	E06037	1	Selflocking nut with serrated bearing (3		
10	G07838019	E03886	1	Hexagon screw (10 Stk.)		
11	G00110013	E03699	1	Spacer sleeve (5 Stk.)		
12	G07906002	E06667	1	Self-locking hex nut (10 Stk.)		
13	G06525054	E07158	1	Tension lever bearing		
14	G07838026	E03932	1	Hexagon screw (10 Stk.)		
15	G07880006	E03957	1	Disc (20 Stk.)		
16	G06725056	E10824	1	Tensioning roller carrier		



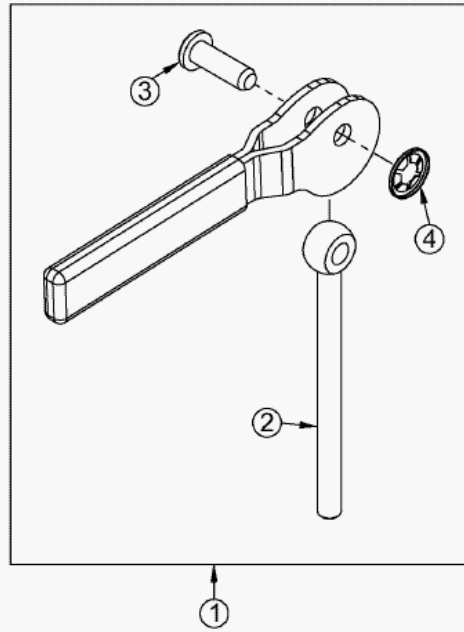
AS 65/2T cat from serial No. 019908020001 – ET documentation – Wheel hub full st.

Pos	Art-Nr.	E-Nr.	Menge	Beschreibung	Modell	Info
1	G06721002	E07266	1	Wheel hub		
2	G06725012	E07686	1	Pinion 39 teeth		
3	G00009085	E06761	4	Hexagon screw		
4	G06721005	E08319	1	Wheel hub total		



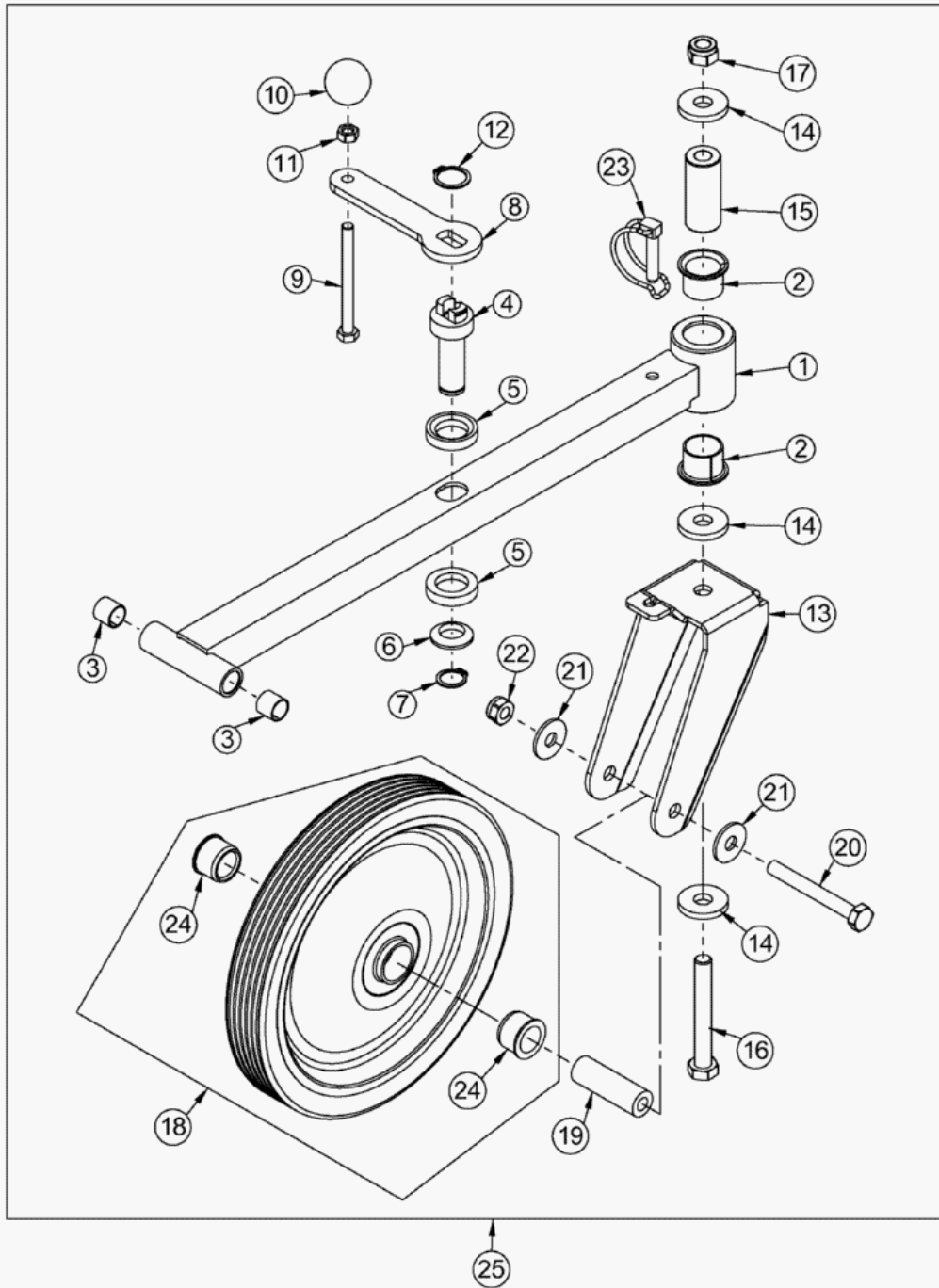
AS 73 4T B&S and AS 73/2 vs from serial No. 014608070001 – ET documentation – Handlebar complete

Pos	Art-Nr.	E-Nr.	Menge	Beschreibung	Modell	Info
1	G06722020	E07925	1	Handlebar		
2	G00020100	E07800	2	Blade drive cable		
3	G06722026	E07930	1	Guide rod		
4	G06722024	E07931	1	Slider		
5	G00028008	E06538	2	DU bush		
6	G06722025	E07929	1	Slide plate		
7	G07847009	E03112	1	Shim (10 Stk.)		
8	G07822007	E04326	1	Circlip for shaft (20 Stk.)		
10	G07838004	E01930	2	Hexagon screw (10 Stk.)		
11	G07809003	E01181	4	Disc (20 Stk.)		
12	G06722027	E07933	1	Gear change cover		
13	G07890028	E06594	5	Self-tapping screw (5 Stk.)		
14	G07890030	E07945	1	Self-tapping screw (4 Stk.)		
15	G00024031	E07928	2	Bowden cable sleeve		
16	G00020102	E07922	2	Gear change cable		
17	G07878011	E05900	2	Raised cross-head screw (5 Stk.)		
18	G07809006	E01940	1	Disc (10 Stk.)		
19	G00009103	E07932	1	Threaded pin		
20	G07917002	E07927	1	Spherical button		
22	G06780010	E08306	2	Hand lever with rubber buffer		
23	G07838059	E06632	1	Hexagon screw		
27	G00008114	E08305	2	Handlebar grip (2 Stk.)		
28	G00017025	E06563	1	Actuating lever without safety catch		
29	G00020118	E08253	1	Differential cable		
30	G06722016	E07544	1	Accelerator lever with throttle cable		
31	G06727001	E07939	1	Selector switch		
33	G00008086	E05973	2	Rubber buffer (2 Stk.)		
34	G06722031	E08028	1	Notch lever		
36	G07880009	E07936	2	Disc (5 Stk.)		
37	G07878017	E07937	2	Raised cross-head screw (5 Stk.)		
39	G07837068	E07643	2	Hexagon screw (2 Stk.)		
40	G07918001	E07269	1	Self-locking hex nut (6 Stk.)		
41	G06722035	E08211	1	Bowden cable safety		
43	G00017026	E06702	1	Pushbutton		
44	G00008100	E06739	1	Round sealing cap		
45	G06727010	E10617	1	Switch cable for cut-out valve		
46	G06722034	E08325	1	Handlebar total		
47	G00020148	E10760	1	Drive cable		
48	G07846008	E03829	2	Self-locking hex nut (10 Stk.)		
49	G00041061	G00041061	1	Loctite 480 (100Gr.)		



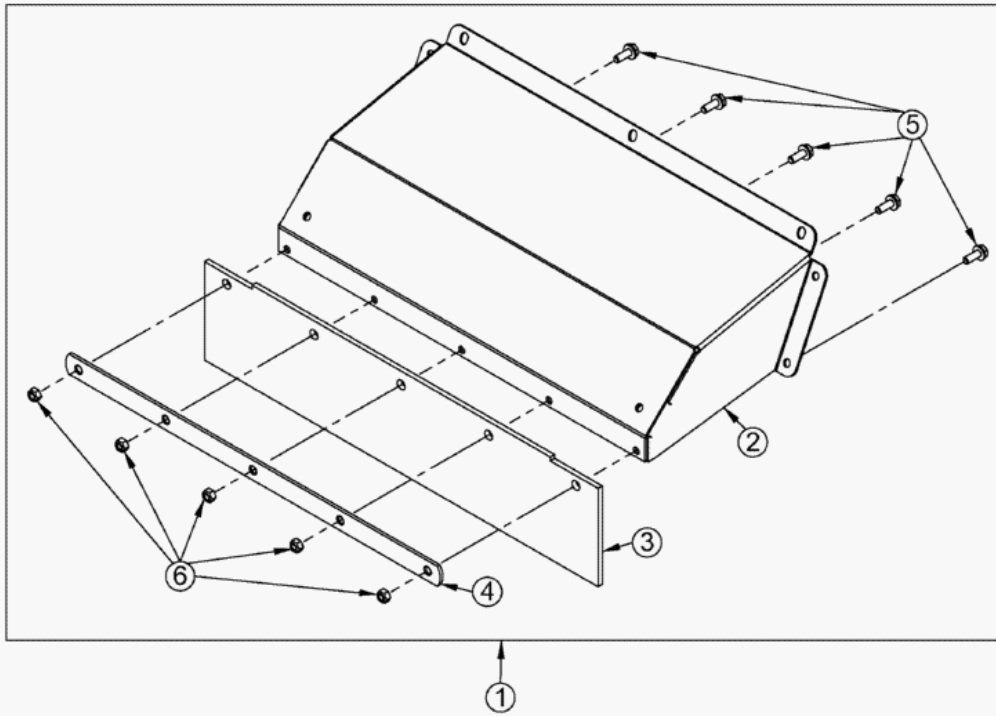
AS 65/2T cat from serial No. 019908020001 – ET documentation – Connection rod tension lever full st.

Pos	Art-Nr.	E-Nr.	Menge	Beschreibung	Modell	Info
1	G07322010	E10119	1	Eccentric lever with eyebolt		
2	G07820004	E10120	1	Eye bolt		
3	G07886001	E04476	1	Bolt with head		
4	G00027001	E04567	1	Shaft locking clip		



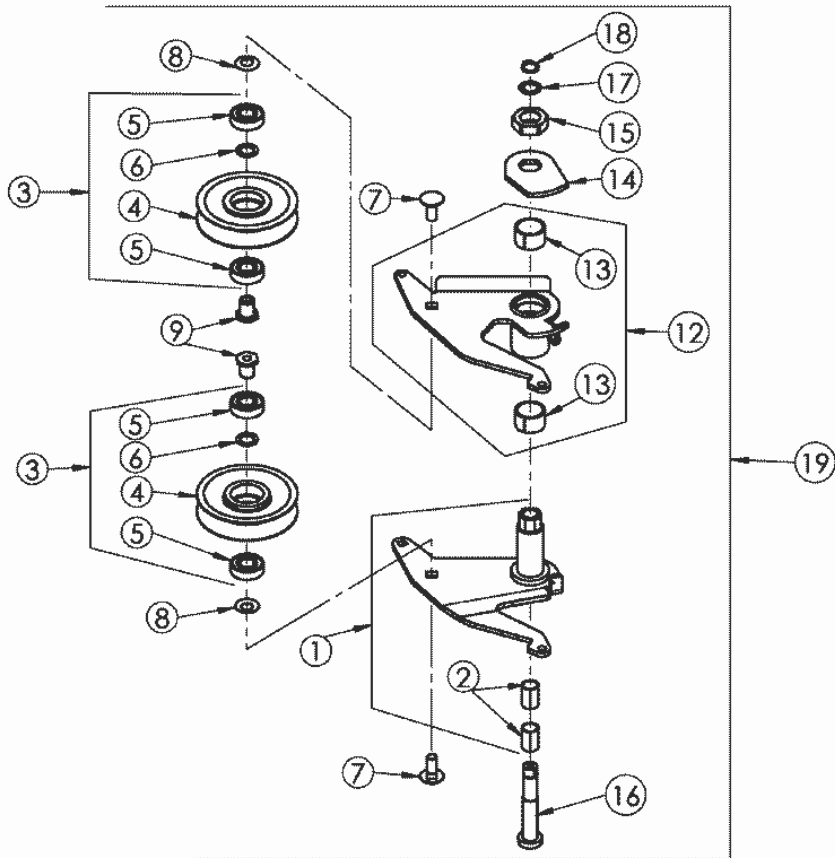
AS 65/2T cat from serial No. 019908020001 – ET documentation – Wheel strut full st.

Pos	Art-Nr.	E-Nr.	Menge	Beschreibung	Modell	Info
1	G06722002	E07701	1	Wheel strut total		
2	G00028030	E07204	2	DU flanged bush		
3	G00028003	E03108	2	DU bush		
4	G06722006	E07703	1	Wheel adjustment nut		
5	G07909002	E07730	2	Conical seat		
6	G06722005	E07702	1	Spherical washer		
7	G07822003	E02935	1	Circlip for shaft (10 Stk.)		
8	G06520332	E07186	1	Crank		
9	G07837049	E06873	1	Hexagon screw (2 Stk.)		
10	G07917001	E07245	1	Spherical button		
11	G07839003	E01906	1	Hex nut (10 Stk.)		
12	G07822014	E07729	1	Circlip for shaft (5 Stk.)		
13	G06722008	E07705	1	Wheel fork		
14	G07861004	E07213	3	Disc		
15	G06522323	E07173	1	Wheel fork bolt		
16	G07837065	E07226	1	Hexagon screw		
17	G07846006	E01972	1	Self-locking hex nut (2 Stk.)		
18	G06521305	E07241	1	Front wheel		
19	G06521302	E06511	1	Hub tube		
20	G07837055	E06661	1	Hexagon screw		
21	G07880001	E01980	2	Disc (10 Stk.)		
22	G07846005	E01968	1	Self-locking hex nut (10 Stk.)		
23	G00027015	E07881	1	Tube linchpin		
24	G06322157	E04057	2	Collar bush		
25	G06780013	E08321	1	Wheel strut total + DU bushes		



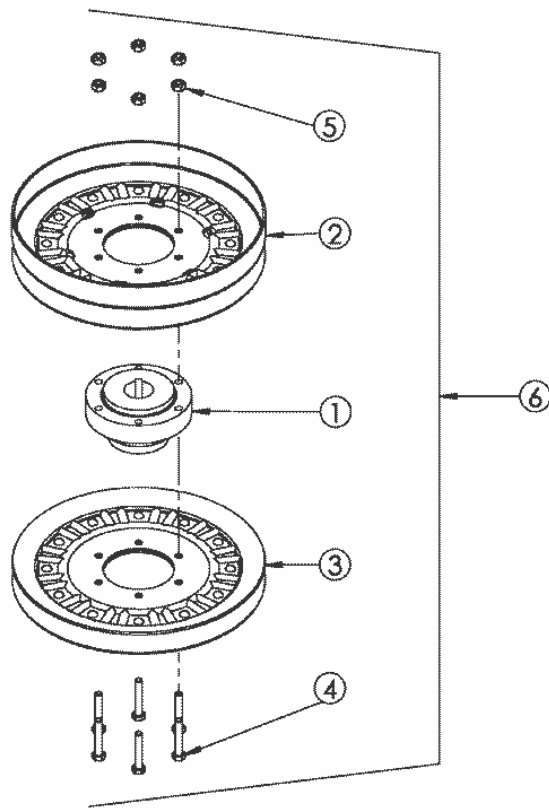
AS 65/2T cat from serial No. 019908020001 – ET documentation – Ejector chute full st.

Pos	Art-Nr.	E-Nr.	Menge	Beschreibung	Modell	Info
1	G06720303	E08257	1	Ejector plate total		
2	G06720017	E07889	1	Ejector plate		
3	G00008113	E08258	1	Self-aligning rubber		
4	G06726006	E07741	1	Self-aligning rubber holder		
5	G00009094	E07247	5	Locking screw (2 Stk.)		
6	G07906002	E06667	5	Self-locking hex nut (10 Stk.)		



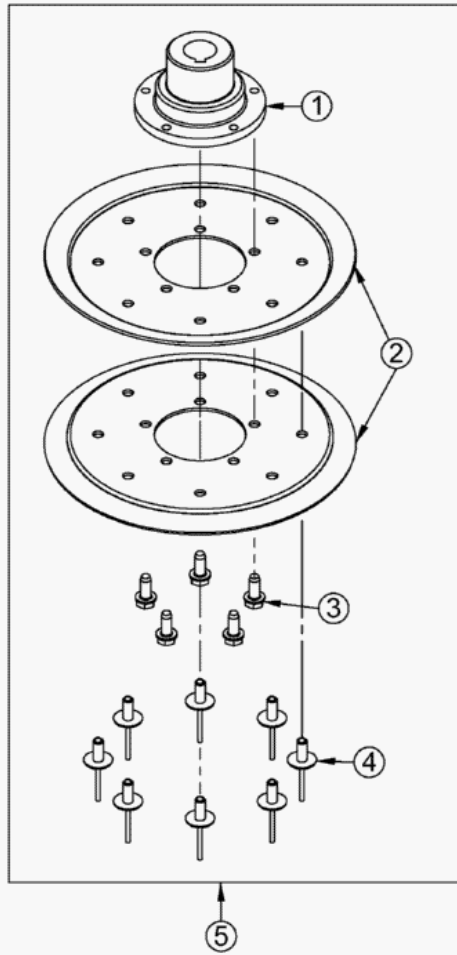
AS 73/2 vs from serial No. 014602101000 – ET documentation – Belt pulley AS 73 complete

Pos	Art-Nr.	E-Nr.	Menge	Beschreibung	Modell	Info
1	G06725057	E07710	1	Belt tensioner bottom + DU bushes		
2	G00028027	E06473	2	DU bush		
3	G06725043	E07942	2	Tension pulley with ball bearing		
4	G06725011	E07265	2	Tension pulley		
5	G07830035	E07934	4	Deep groove ball bearing		
6	G07847010	E03113	2	Shim (10 Stk.)		
7	G07827004	E04379	2	Mushroom head square neck bolt (5 Stk.)		
8	G07856011	E05856	2	Disc spring (3 Stk.)		
9	G06725027	E07712	2	Sleeve		
12	G06725053	E07711	1	Belt tensioner top + DU bushes		
13	G00028001	E02919	2	DU bush (2 Stk.)		
14	G06725028	E07713	1	Eccentric lever		
15	G07818008	E07875	1	Hex nut		
16	G06725029	E07714	1	Tension lever bearing		
17	G07847042	E06722	1	Shim (5 Stk.)		
18	G07822005	E03229	1	Circlip for shaft (10 Stk.)		
19	G06725018	E08327	1	Belt tensioner total		



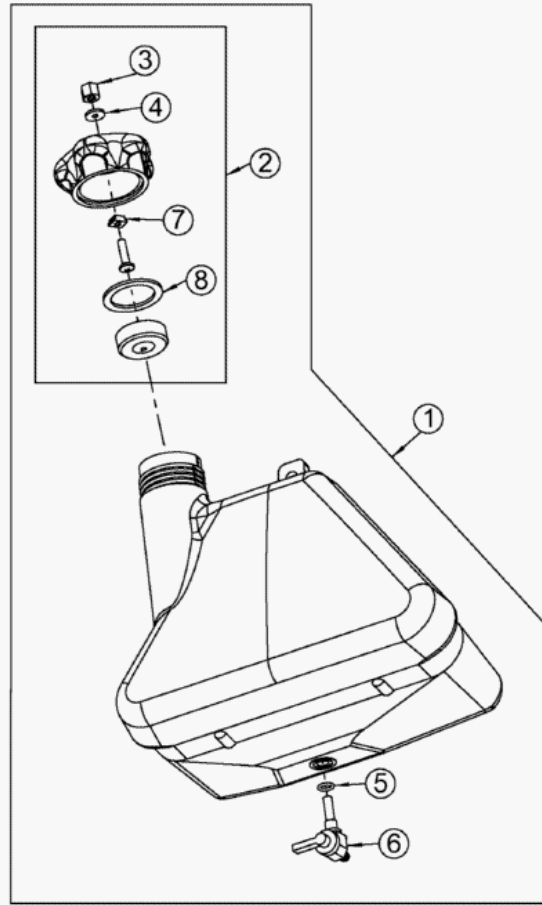
AS 73/2 vs from serial No. 014602101000 – ET documentation – Twin belt pulley full st.

Pos	Art-Nr.	E-Nr.	Menge	Beschreibung	Modell	Info
1	G06725004	E07531	1	Belt pulley hub		
2	G06725005	E07264	1	Belt pulley drum total		
3	G06725015	E07263	1	Belt pulley dw 200		
4	G07837024	E04058	6	Hexagon screw (10 Stk.)		
5	G07906002	E06667	6	Self-locking hex nut (10 Stk.)		
6	G06725016	E07698	1	Double pulley total		



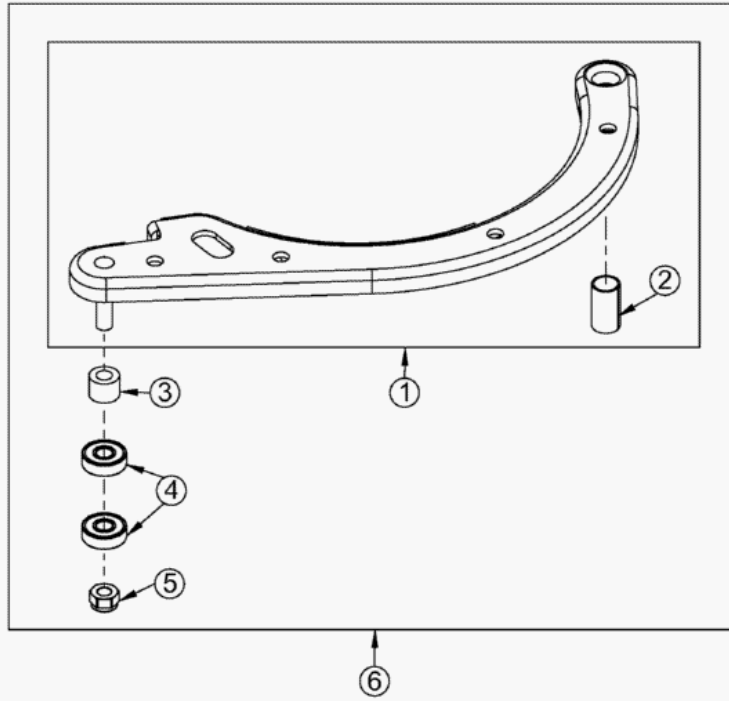
AS 65/2T cat from serial No. 019908020001 – ET documentation – Belt pulley transmission full st.

Pos	Art-Nr.	E-Nr.	Menge	Beschreibung	Modell	Info
1	G06730002	E07688	1	Belt pulley hub transmission		
2	G06725014	E07708	2	Belt pulley half		
3	G07890004	E05828	5	Flanged self-tapping screw (3 Stk.)		
4	G00012020	E06750	8	Blind rivet (3 Stk.)		
5	G06730009	E08315	1	Belt pulley transmission total		



AS 65/4TH DS from serial No. 019807404001 – ET documentation – Fuel tank complete with lid

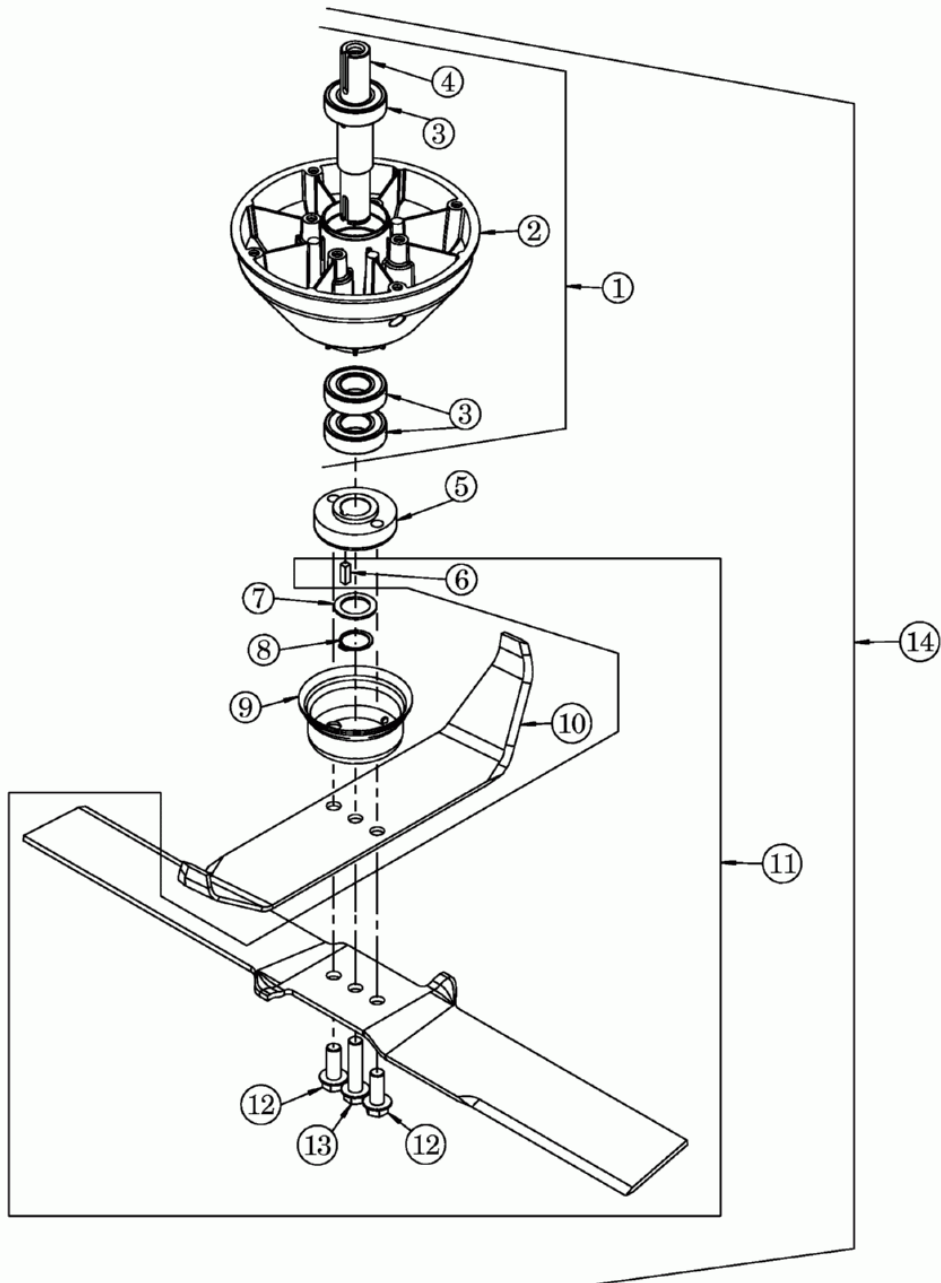
Pos	Art-Nr.	E-Nr.	Menge	Beschreibung	Modell	Info
1	G06580008	E06490	1	Fuel tank total with cap		
2	G06306007	E04783	1	Tank cap total		
3	G00007033	E05247	1	Hexagon cap nut		
4	G00019051	E05246	1	Sealing disc (5 Stk.)		
5	G00006032	E02412	1	O-ring (2 Stk.)		
6	G00022013	E06701	1	Fuel valve		
7	G00007047	E06934	1	Punch and press-in nut		
8	G00019053	E04782	1	Seal (3 Stk.)		



AS 65/2T cat from serial No. 019908020001 – ET documentation – Brake lever full st.

Pos	Art-Nr.	E-Nr.	Menge	Beschreibung	Modell	Info
1	G06734001	E07699	1	Brake lever with lining and DU bush		
2	G00028022	E06364	1	DU bush		
3	G00024029	E07722	1	Sleeve		
4	G07830031	E07211	2	Deep groove ball bearing		
5	G07846001	E01912	1	Self-locking hex nut (10 Stk.)		
6	G06734006	E08316	1	Brake lever total		

AS 73/2 vs a b Fertigungs-Nr. 14603303001



AS 73/2 vs from serial No. 014602101000 – ET documentation – Blade bearing with blades from serial No.14603303001

Pos	Art-Nr.	E-Nr.	Menge	Beschreibung	Modell	Info
1	G06723005	E07261	1	Blade bearing with shaft, bearing + 1 x		
2	G06723004	E07260	1	Blade baring		
3	G07830026	E04436	3	Deep groove ball bearing		
4	G06723003	E07258	1	Blade shaft 1 + 1 x E07718		
5	G06723007	E07707	1	Cutter disc		
6	G07865021	E08293	1	Feather key		
7	G07847015	E03928	1	Supporting disc		
8	G07822001	E02116	1	Circlip for shaft (5 Stk.)		
9	G06723006	E07262	1	Winding protection cover		
10	G06823005	E08405	1	Mulching blade 434		
11	G06780009	E08364	1	Replaced by E12284		
	 G06780015	E12284	1	Blade AS73 with bolts		
12	G00009097	E07718	2	Locking screw		
13	G00009111	E08291	1	Locking screw		
14	G06723008	E08328	1	Blade bearing with blade		



Pos.Nr.	ET-Nr.	Benennung
1	E12752	Aufkleber - Set AS 65; 73 und 84

AS 65/2T from serial No. 014902303001 – ET documentation – Instruction plate - set

Pos	Art-Nr.	E-Nr.	Menge	Beschreibung	Modell	Info
1	G06780017	E12752	1	Instruction plate-set AS 65, 73 und 84		