



Count on it.

Parts Catalog

**53cm Heavy-Duty
Recycler[®]/Rear Bagger Lawn Mower**

Model No. 22291—Serial No. 40000000 and Up



Ordering Replacement Parts

To order replacement parts, please supply the part number, the quantity, and the description of each part desired.

Understanding Reference Numbers

Each identified part in an illustration has a reference number. The reference number for a part also appears in the parts list, along with other information about the part.

This catalog uses two special reference number formats, one to indicate parts in a service assembly and another to indicate the quantity of a given part in an illustration.

Service Assembly Reference Numbers

Parts in service assemblies have reference numbers in the form a:b. The a represents the reference number of the entire service assembly and the b represents a sequential number unique to each part within the service assembly.

For example, a wheel assembly might be identified by reference number 6, the tire by 6:1, the valve by 6:2, and the wheel by 6:3. When you order the assembly identified by reference number 6, you receive all parts identified by reference numbers 6:1, 6:2, and 6:3. However, you may also order any part individually. Reference numbers of this type appear in illustration and in parts lists.

Reference Numbers Indicating Quantity

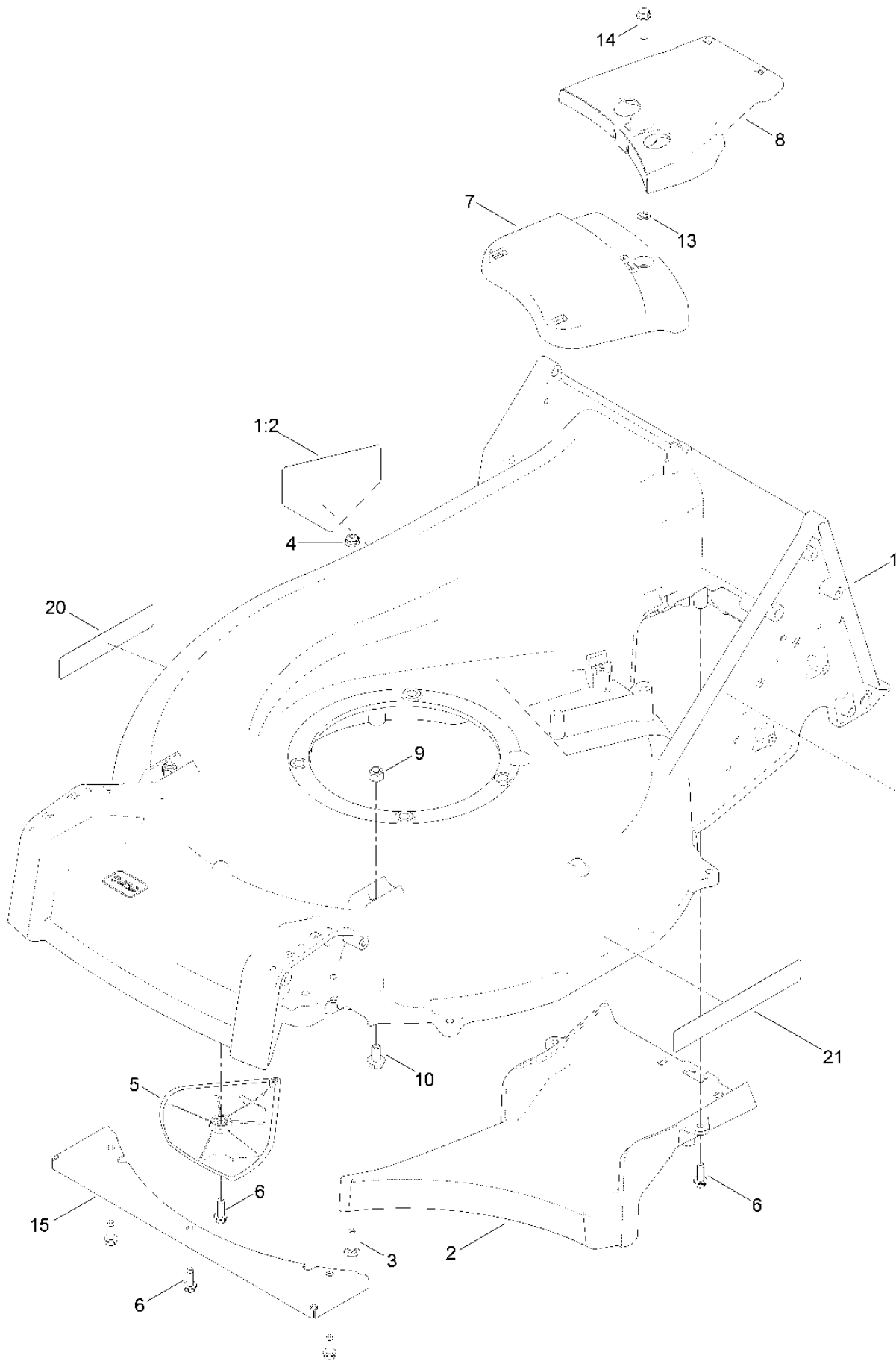
In an illustration, if a reference number indicates more than one part, the reference number has the form nX y. The n represents the quantity of the part, the X is the multiplication symbol, and the y represents the reference number.

For example, in an illustration, the reference number 2X 37 means that two of the parts identified by reference number 37 are indicated.

Contents

Housing Assembly	4
Grass Bag Assembly	6
Engine Assembly	8
Height-of-Cut and Wheel Assembly	10
Transmission and Rear Wheel Assembly	12
Handle Assembly	14
Attachments and Accessories	16

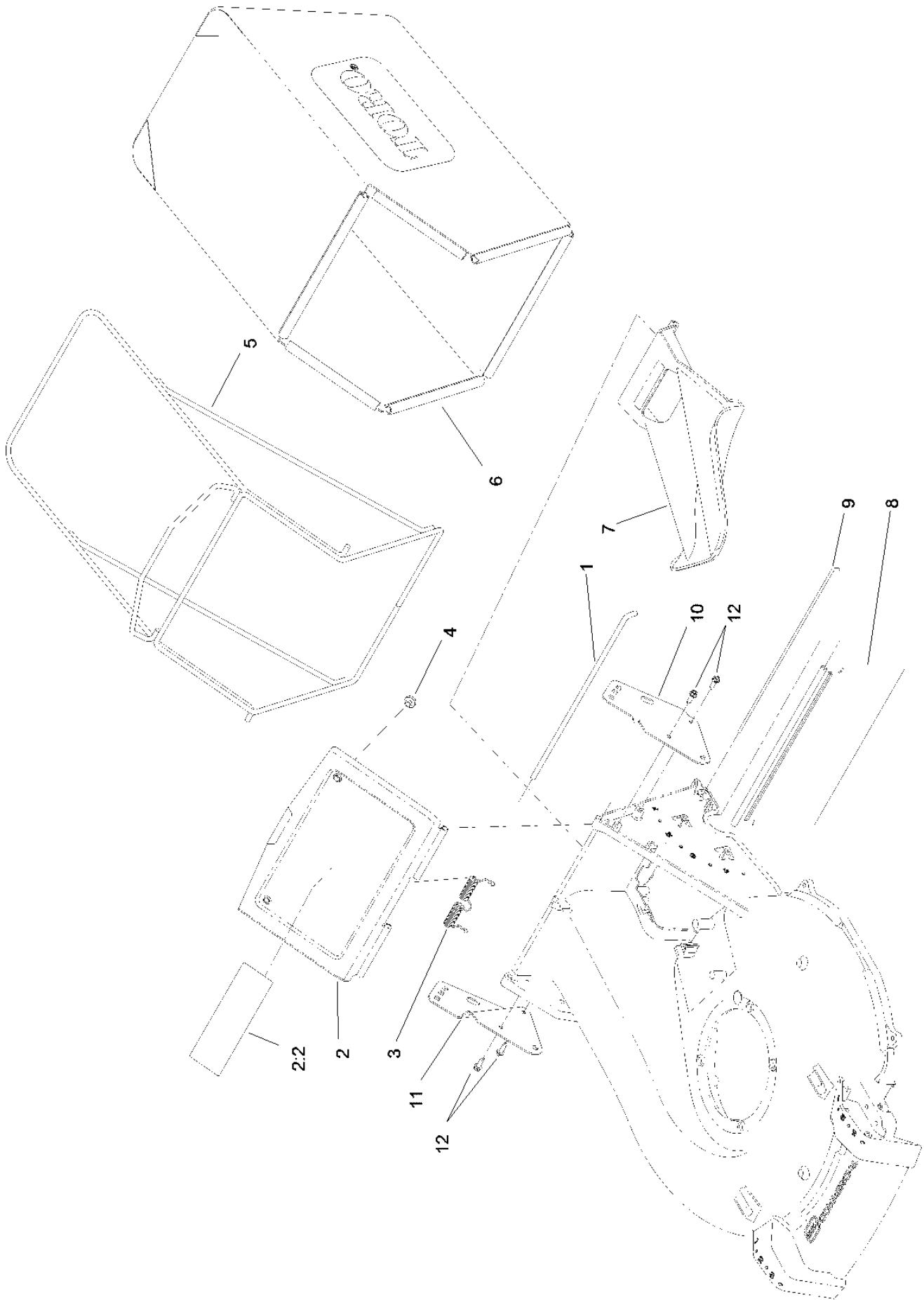
Housing Assembly



Housing Assembly (continued)

<i>Ref.</i>	<i>Part Number</i>	<i>Qty.</i>	<i>Description</i>	<i>Ref.</i>	<i>Part Number</i>	<i>Qty.</i>	<i>Description</i>
1	136-5897	1	Housing ASM	8	125-8380	1	Cover-Belt, Rear
1:2	112-8760	1	Decal-Danger	9	3296-29	2	Nut-Lock, NI
2	125-1002-01	1	Floor-Chute	10	3234-7	2	Screw-HHF
3	3229-2	1	Screw-CARR	13	106-8737	1	Nut-Retainer
4	104-7201	1	Nut-Flange, NI	14	32144-86	1	Screw-HWHTF
5	125-5041	2	Kicker	15	125-8435-03	1	Guard-Toe, Front
6	49-2040	7	Screw-HWHTF	20	125-8420	1	Decal
7	125-5038	1	Cover-Belt, Front	21	119-2368	1	Decal-Recycler

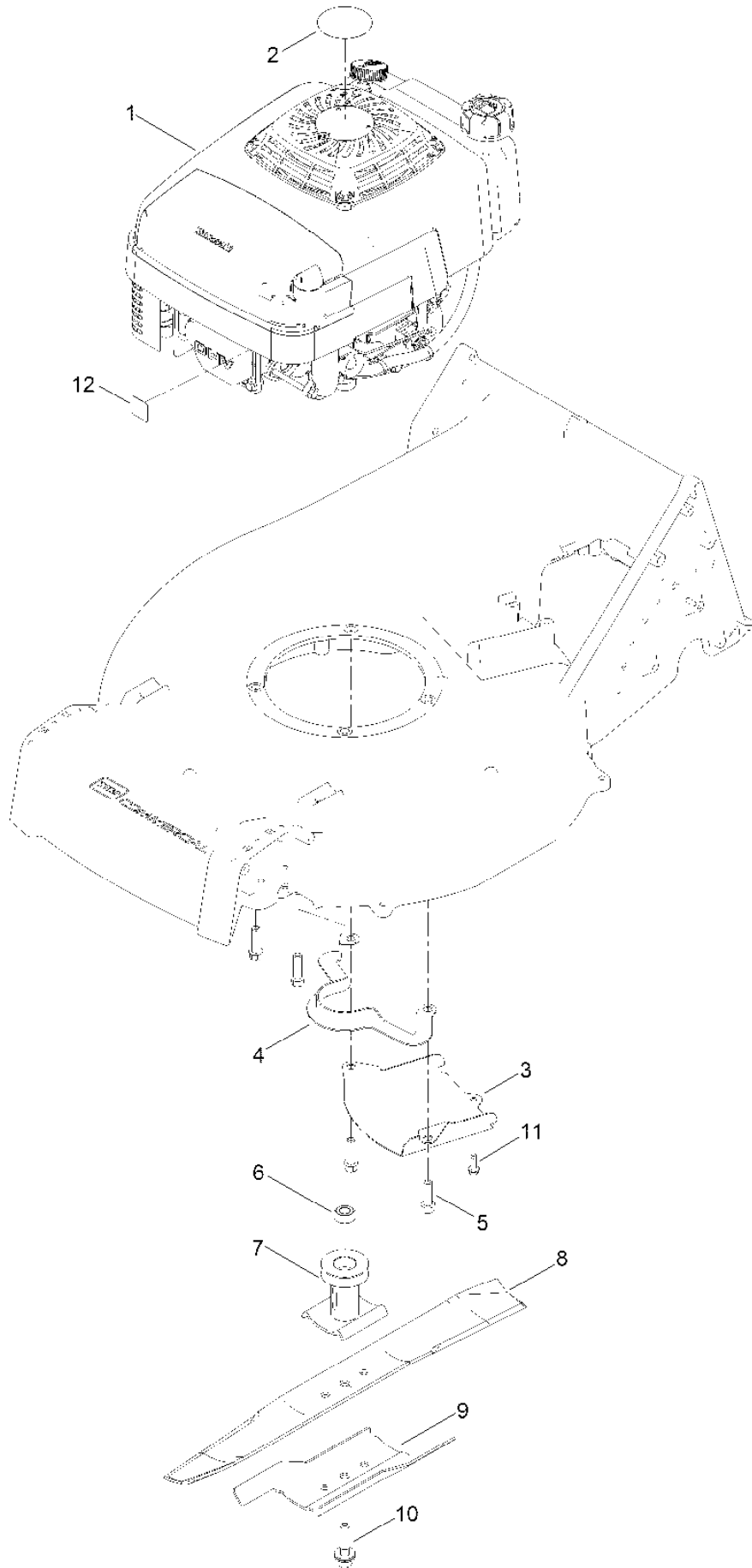
Grass Bag Assembly



Grass Bag Assembly (continued)

<i>Ref.</i>	<i>Part Number</i>	<i>Qty.</i>	<i>Description</i>	<i>Ref.</i>	<i>Part Number</i>	<i>Qty.</i>	<i>Description</i>
1	125-1017	1	Rod-Door, Bag	7	125-1008	1	Plug-Mulch
2	125-8402	1	Bag Door ASM	8	125-1007	1	Shield-Trailing
2:2	116-7583	1	Decal-Warning	9	125-8413	1	Rod-Shield, Trailing
3	125-1019	1	Spring-Torsion	10	133-8193-03	1	Bracket-Mount, Handle (LH)
4	1-513658	2	Bumper	11	133-8194-03	1	Bracket-Mount, Handle (RH)
5	121-1399-03	1	Frame-Bag	12	32144-70	4	Screw-HWHTF
6	125-1030	1	Bag-Grass				

Engine Assembly



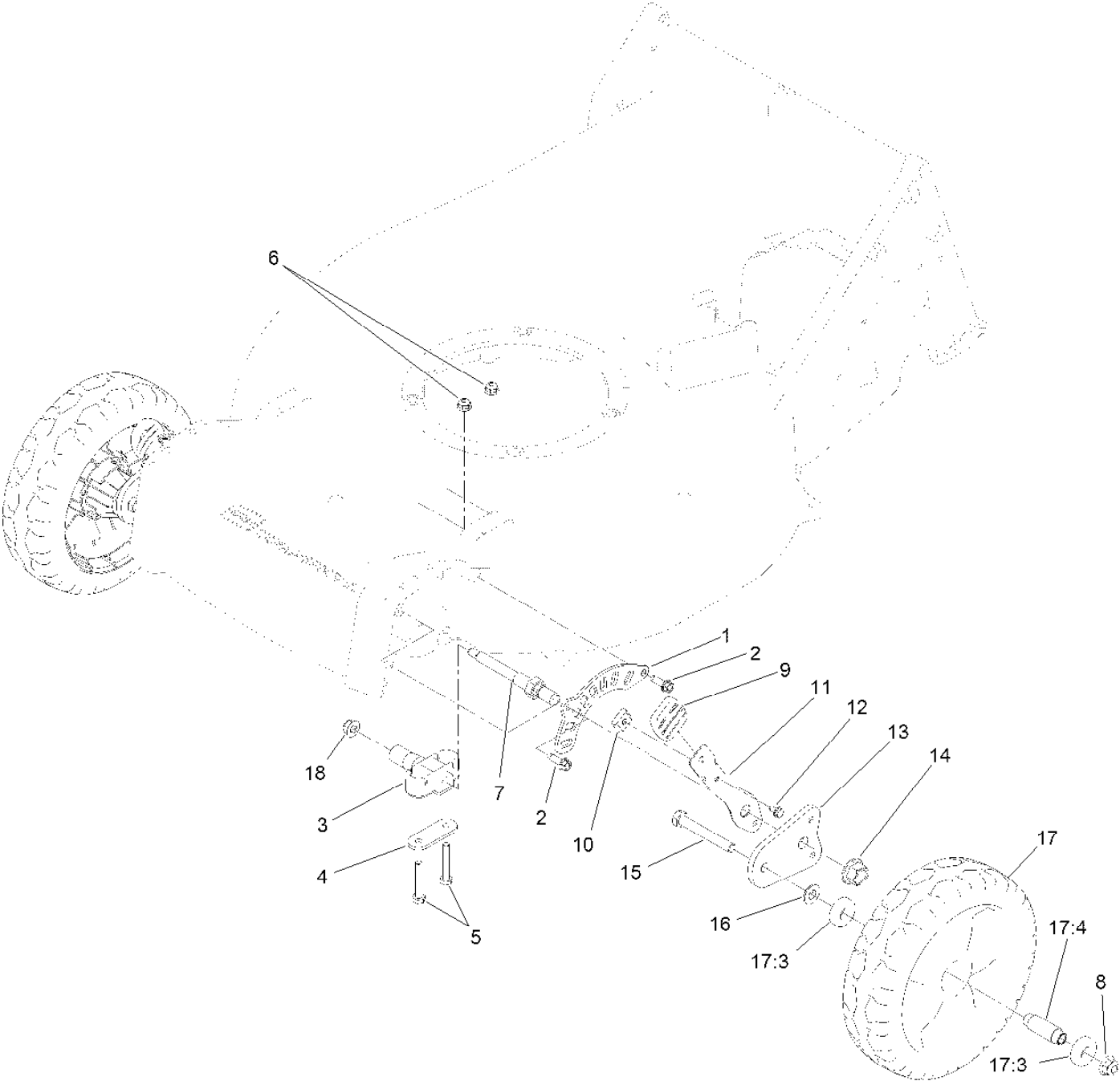
Engine Assembly (continued)

<i>Ref.</i>	<i>Part Number</i>	<i>Qty.</i>	<i>Description</i>	<i>Ref.</i>	<i>Part Number</i>	<i>Qty.</i>	<i>Description</i>
1		1	Engine-Kawasaki, Fj180V ■	7	106-3987	1	Driver-Blade
			●	8	108-3762-03	1	Blade-Recycling
2	110-0520	1	Decal	9	125-1069-03	1	Accelerator-Blade
3	125-1005-03	1	Shield-Grass	10	125-2466	1	Bolt-Blade
4	108-8110-03	1	Guide-Belt	11	49-2040	1	Screw-HWHTF
5	95-1727	4	Screw-Taptite	12	125-8403	1	Decal-Primer
6	125-8432	1	Spacer-Driver, Blade				

● Not serviced separately

■ Obtain parts from www.kawpowerepc.com

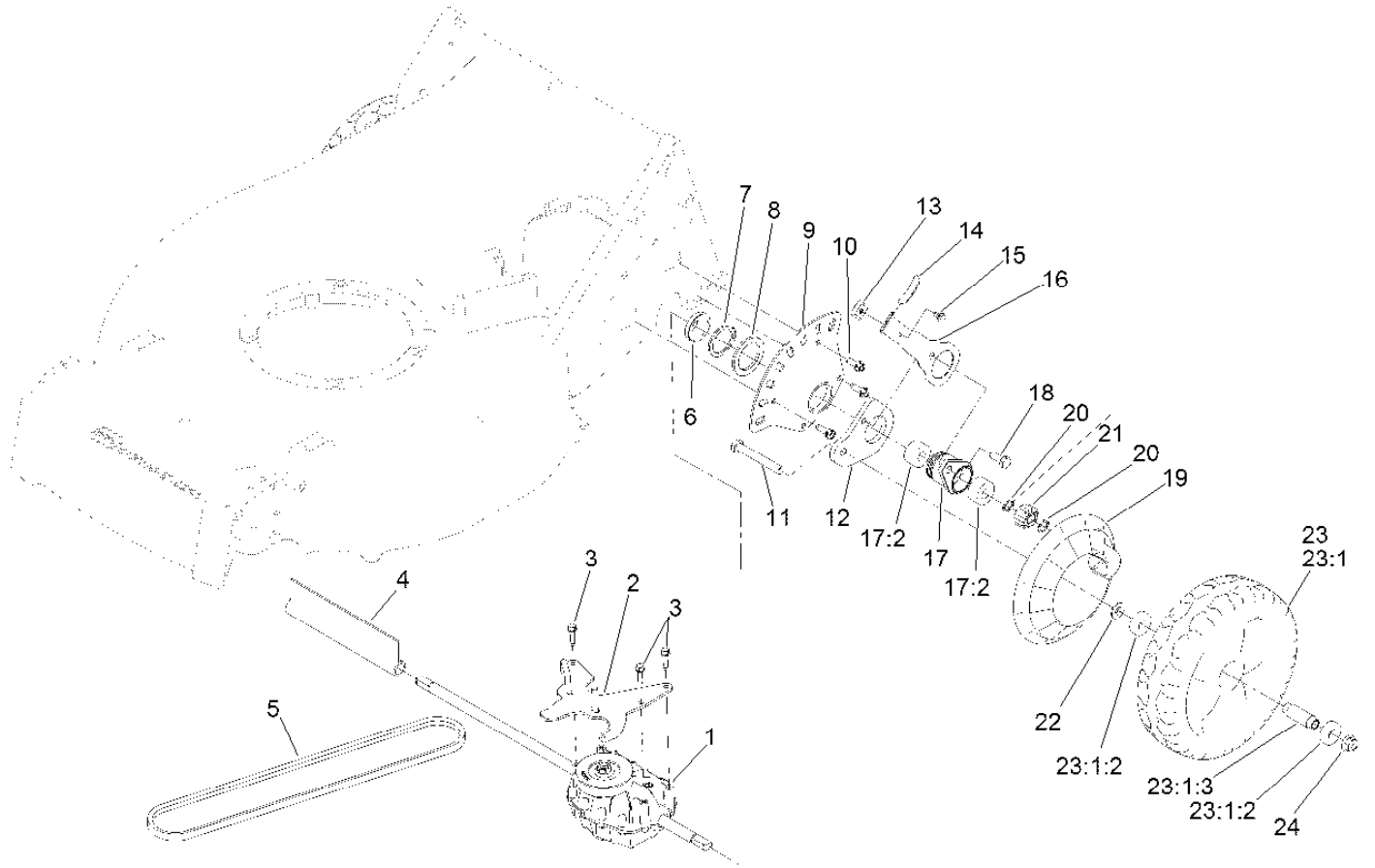
Height-of-Cut and Wheel Assembly



Height-of-Cut and Wheel Assembly (continued)

<i>Ref.</i>	<i>Part Number</i>	<i>Qty.</i>	<i>Description</i>	<i>Ref.</i>	<i>Part Number</i>	<i>Qty.</i>	<i>Description</i>
1	121-1439	2	Plate-HOC, Front	11	121-1431-03	2	Arm-Spring
2	49-2040	4	Screw-HWHTF	12	104-2065	2	Screw-HWH
3	136-5871	2	Bushing-Axle, Front HOC	13	130-6420	2	Arm-Pivot, Front
4	130-6434	2	Retainer-Bushing, Axle	14	99-5107	2	Nut-Lock
5	321-37	4	Screw-HH	15	323-13	2	Screw-HH
6	104-7201	4	Nut-Flange, NI	16	74-1671	2	Spacer-Cover, Wheel
7	133-2644	2	Axle-Front HOC	17	125-1080	2	Wheel
8	104-8301	2	Nut-Flange, NI	17:3	133-2603	2	Bearing-Ball
9	125-1093	2	Knob-Lever, HOC	17:4	125-1077	1	Spacer
10	131-5377	2	Key-Arm, Spring	18	104-8300	2	Nut-Flange, NI

Transmission and Rear Wheel Assembly

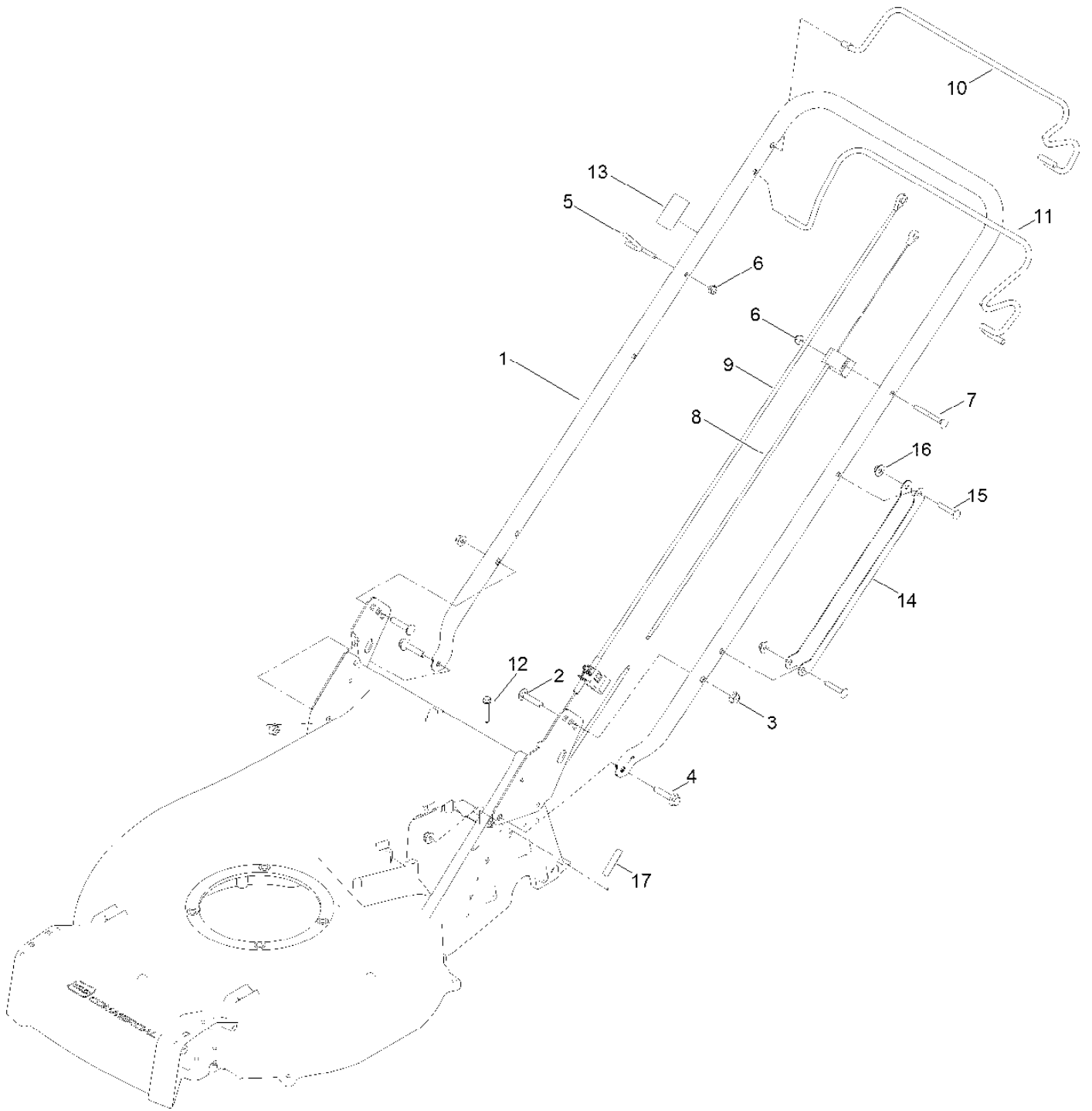


Transmission and Rear Wheel Assembly (continued)

<i>Ref.</i>	<i>Part Number</i>	<i>Qty.</i>	<i>Description</i>	<i>Ref.</i>	<i>Part Number</i>	<i>Qty.</i>	<i>Description</i>
1	125-1020	1	Transmission	15	104-2065	2	Screw-HWH
2	125-8430-03	1	Guide-Belt	16	121-1448-03	2	Arm-Spring, Rear
3	27-0220	3	Screw-Special	17	136-5894	2	Bearing Retainer ASM
4	130-9681	1	Cover-Shaft, Transmission	17:2	133-2606	2	Bearing-Ball, Custom
5	125-8395	1	Belt-V	18	133-2668	2	Screw-HH
6	127-6848	2	Cover-Bearing	19	133-2635	2	Cover-Wheel
7	32151-10	2	Ring-Retaining	20	32151-61	4	Ring-Retaining
8	98-1452	2	Washer-Thrust	21	131-5399	2	Gear-Pinion, 15T
9	130-6422	2	Plate-HOC, Rear	22	74-1671	2	Spacer-Cover, Wheel
10	49-2040	6	Screw-HWHTF	23	133-2640	2	9-Inch Wheel ASM
11	323-13	2	Screw-HH	23:1		1	Wheel ●
12	133-2641	2	Arm-Pivot, Rear	23:1:2	133-2603	2	Bearing-Ball
13	131-5377	2	Key-Arm, Spring	23:1:3	125-1077	1	Spacer
14	125-1093	2	Knob-Lever, HOC	24	104-8301	2	Nut-Flange, NI

● Not serviced separately

Handle Assembly



Handle Assembly (continued)

<i>Ref.</i>	<i>Part Number</i>	<i>Qty.</i>	<i>Description</i>	<i>Ref.</i>	<i>Part Number</i>	<i>Qty.</i>	<i>Description</i>
1	125-1015-03	1	Handle	10	125-8437-03	1	Bail-Traction
2	3230-4	2	Screw-CARR	11	125-8436-03	1	Bail-Brake
3	104-8300	4	Nut-Flange, NI	12	94-2691	1	Screw-HWH
4	115-1794	2	Screw-HHF	13	125-8404	1	Decal-Primer
5	114-2775	1	Guide-Rope	14	127-6897-03	1	Guard-Cable, Handle
6	104-7201	2	Nut-Flange, NI	15	108-0988	2	Screw-CARR
7	92-2270	1	Screw-Handle	16	114-3778	2	Nut-Lock, NI
8	125-8371	1	Cable-Brake	17	131-0822	1	Decal
9	125-8372	1	Cable-Traction				

Attachments and Accessories

For 22291 53cm Heavy-Duty Recycler/Rear Bagger Lawn Mower

Product Name	Model/Part
Cup-Anti Scalp.....	125-8440
Engine Guard Kit	130-9700
Deck Side Guard Kit	130-9701
Rear Discharge Kit.....	130-9734

Notes:

Notes:

Notes:



Count on it.