



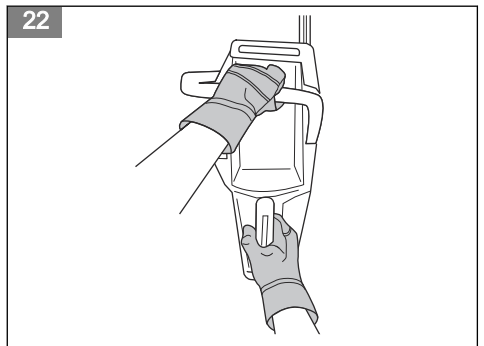
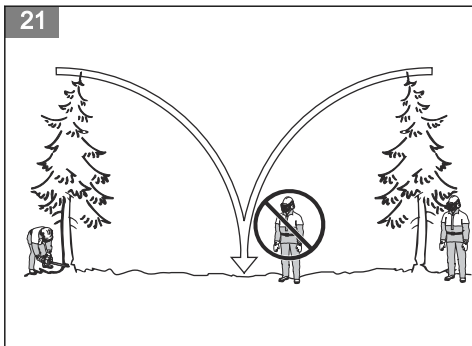
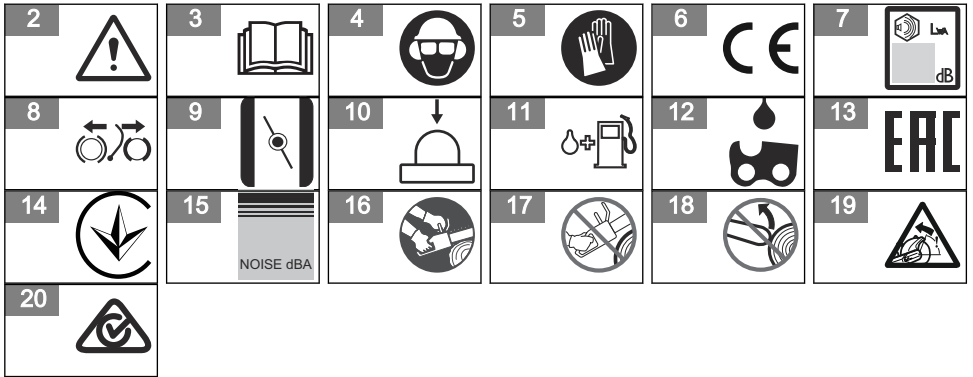
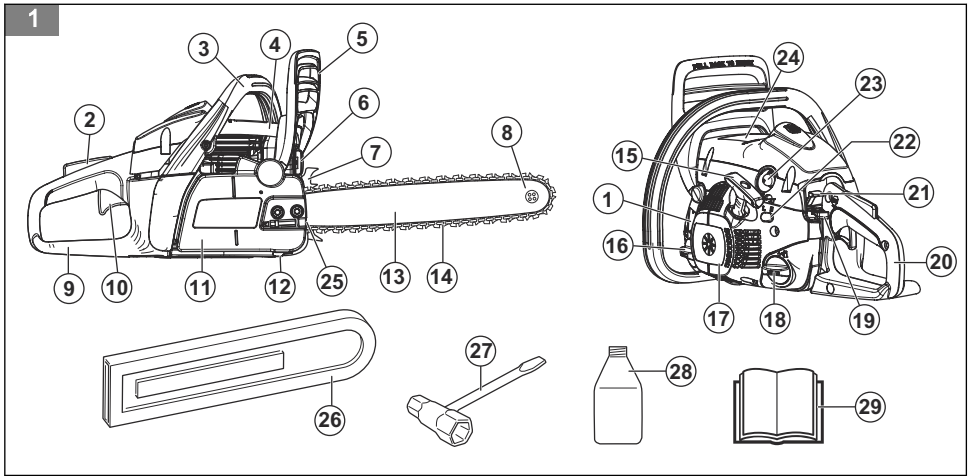
# Husqvarna®



## 120 Mark II



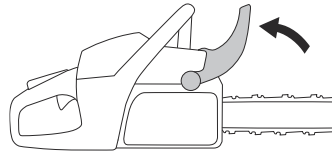
EN	Operator's manual	11-24
BG	Ръководство за експлоатация	25-40
BS	Korisnički priručnik	41-54
CS	Návod k použití	55-68
DA	Brugsanvisning	69-82
DE	Bedienungsanweisung	83-97
EL	Οδηγίες χρήσης	98-113
ES	Manual de usuario	114-128
ET	Kasutusjuhend	129-142
FI	Käyttöohje	143-155
FR	Manuel d'utilisation	156-170
HR	Priručnik za korištenje	171-184
HU	Használati utasítás	185-198
IT	Manuale dell'operatore	199-213
LT	Operatoriaus vadovas	214-227
LV	Lietošanas pamācība	228-241
NL	Gebbruiksaanwijzing	242-256
NO	Bruksanvisning	257-269
PL	Instrukcja obsługi	270-284
PT	Manual do utilizador	285-299
RO	Instrucțiuni de utilizare	300-314
RU	Руководство по эксплуатации	315-330
SK	Návod na obsluhu	331-344
SL	Navodila za uporabo	345-358
SR	Priručnik za rukovaoca	359-372
SV	Bruksanvisning	373-386
TR	Kullanım kılavuzu	387-400
UK	Посібник користувача	401-415
JA	取扱説明書	416-429
KO	사용자 설명서	430-442



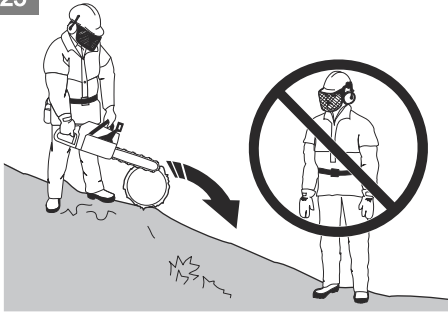
23



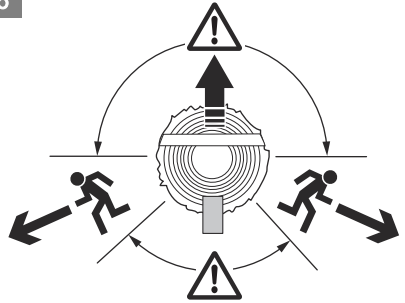
24



25



26



27



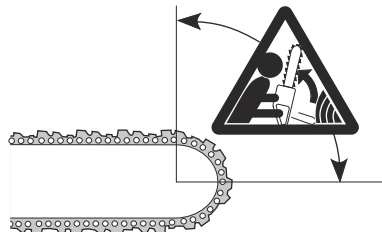
28

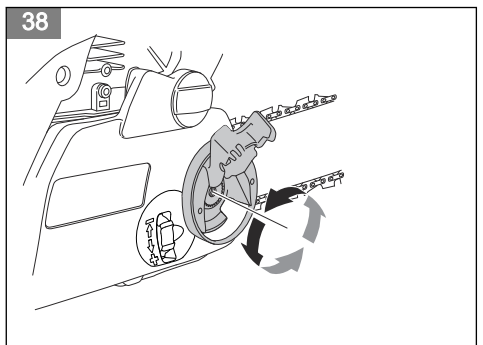
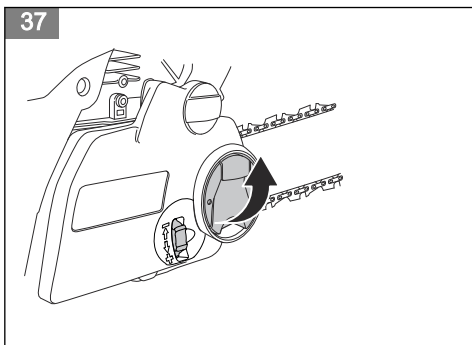
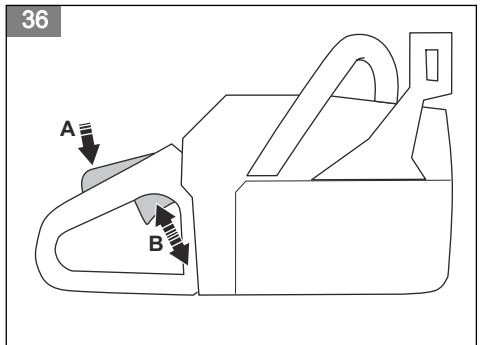
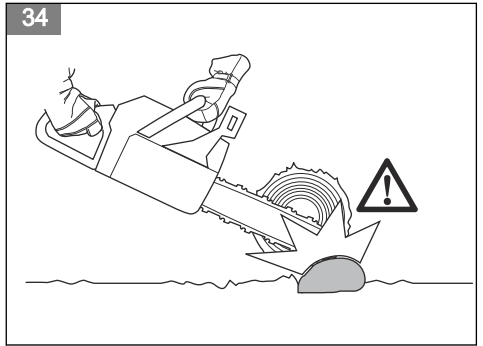
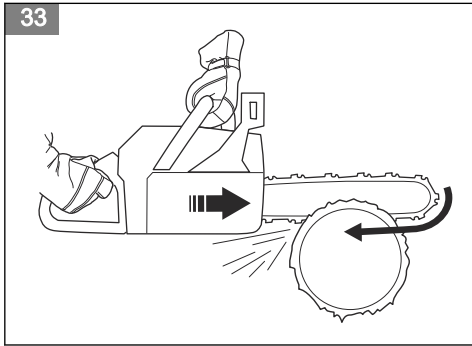
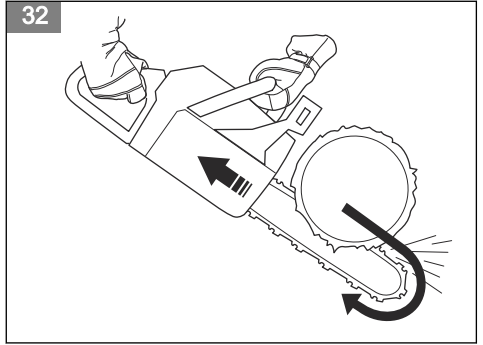
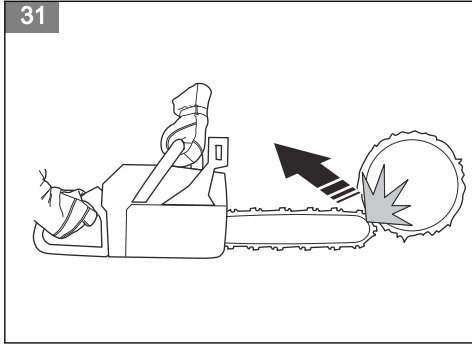


29

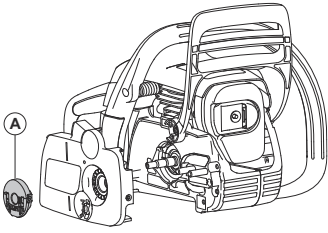


30

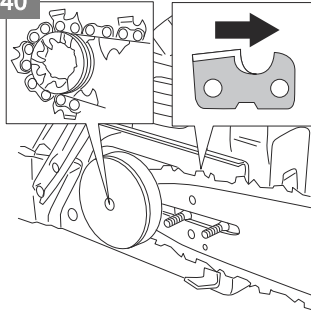




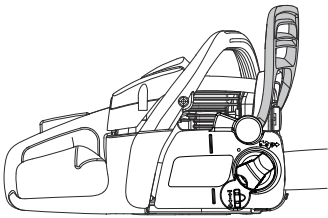
39



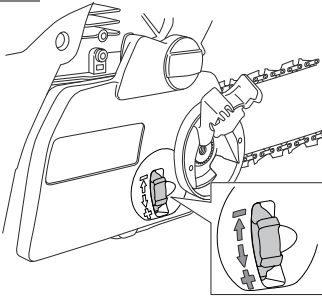
40



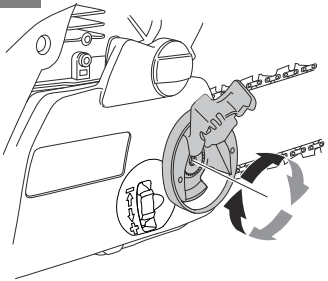
41



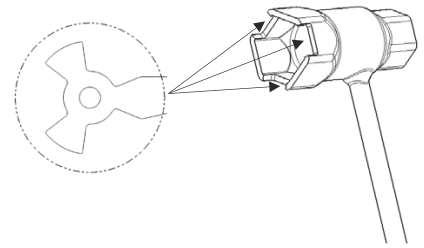
42



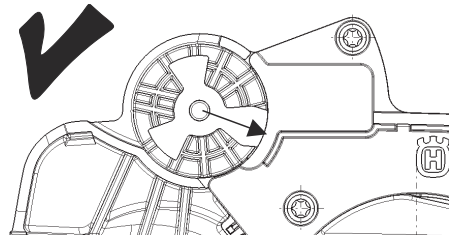
43



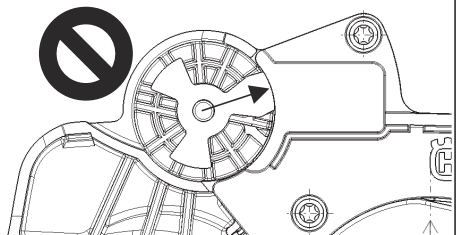
44

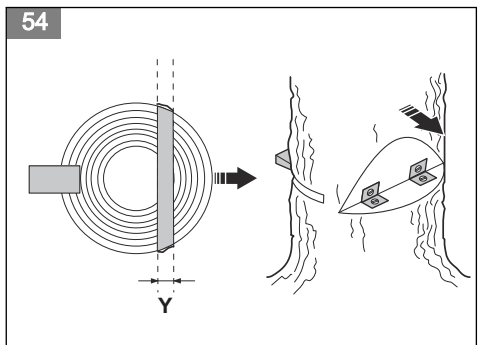
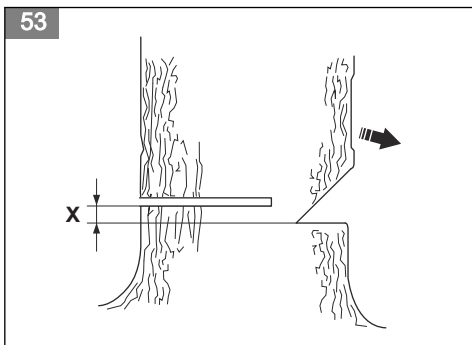
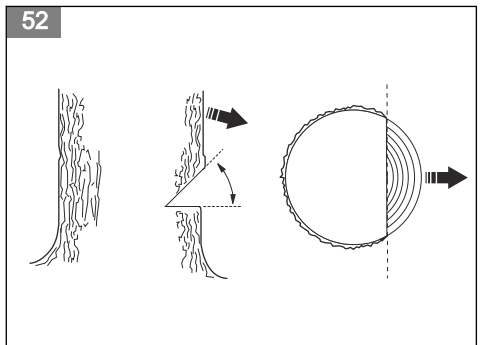
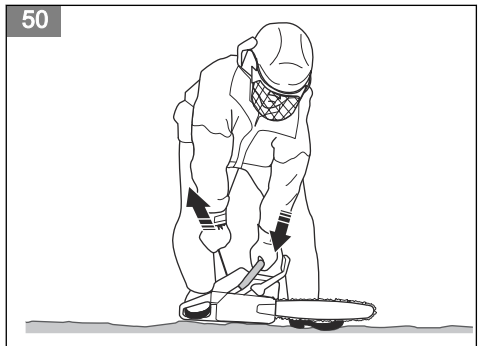
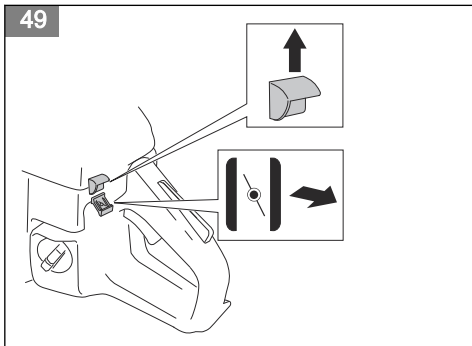
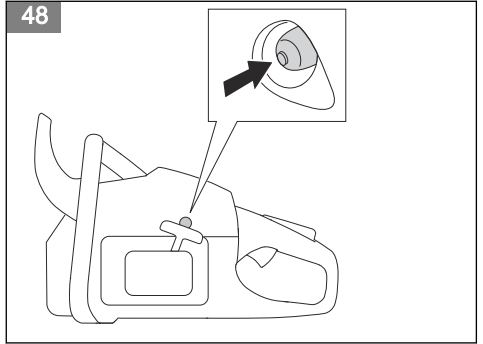
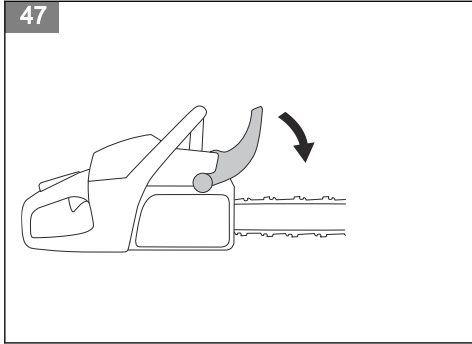


45

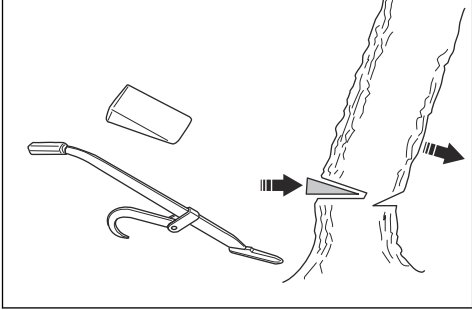


46

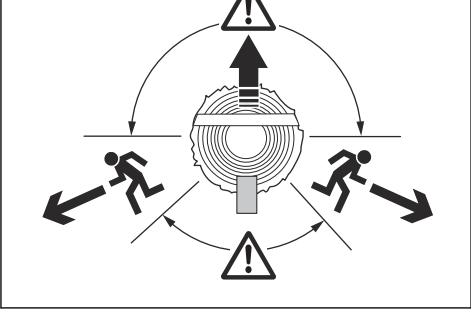




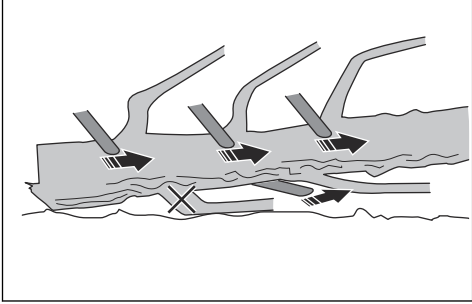
55



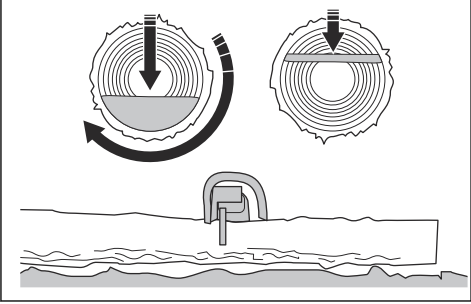
56



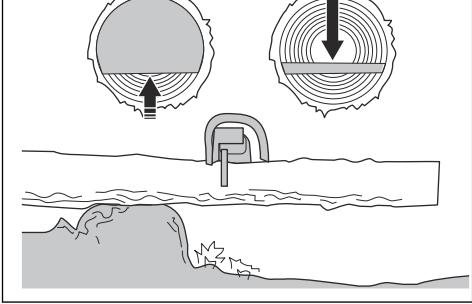
57



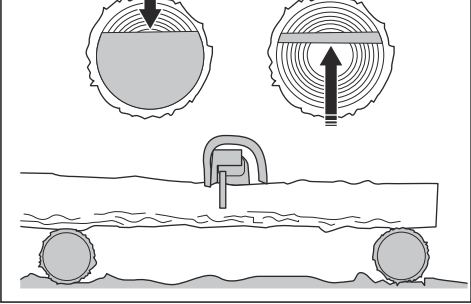
58



59



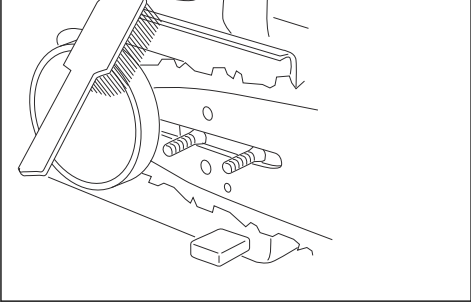
60

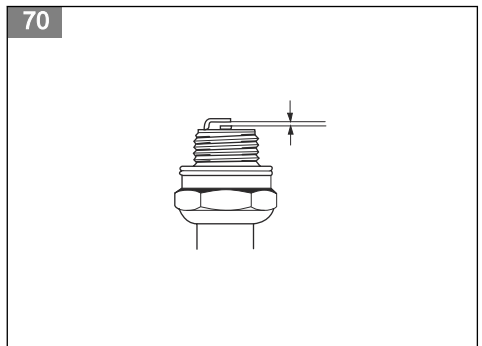
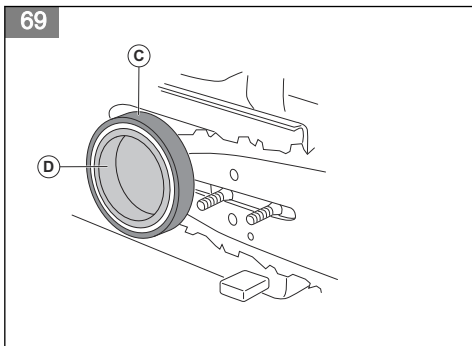
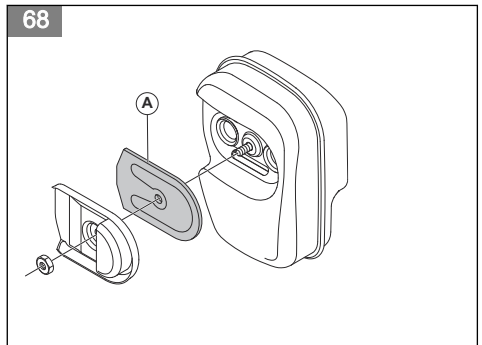
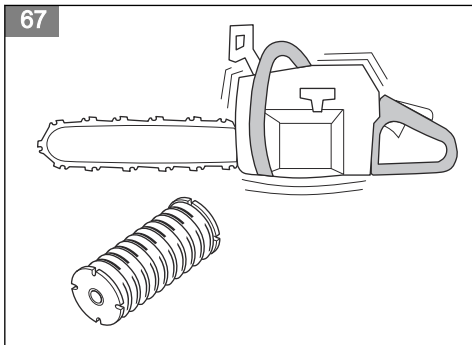
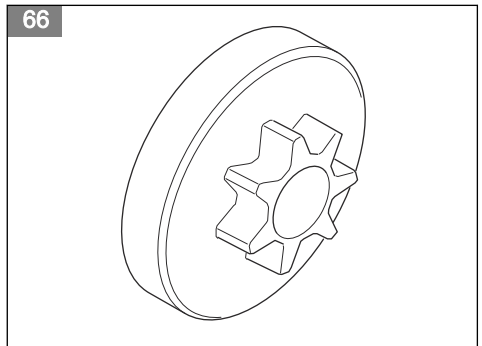
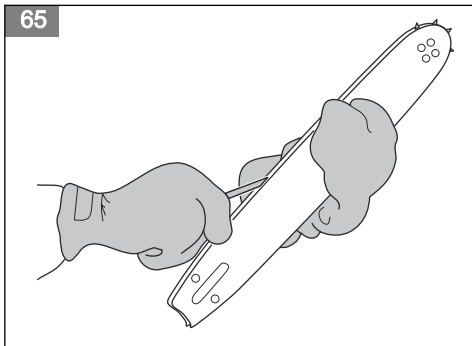
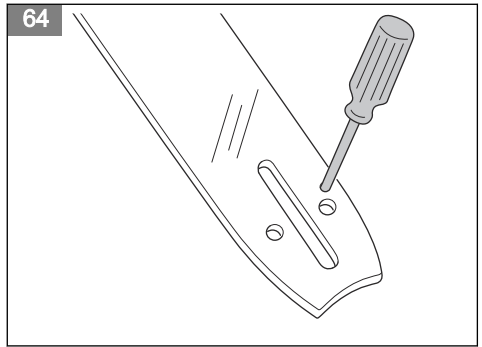
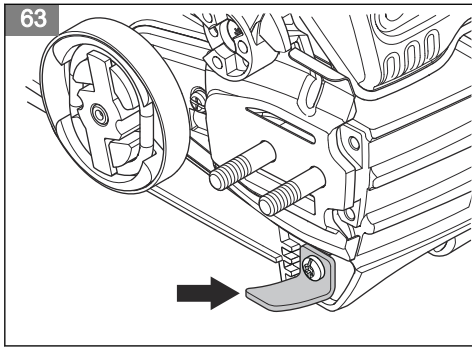


61



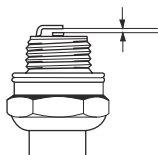
62



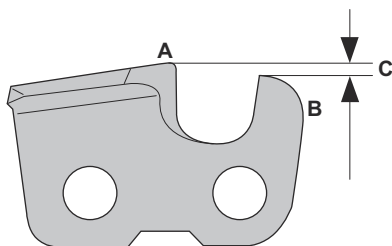




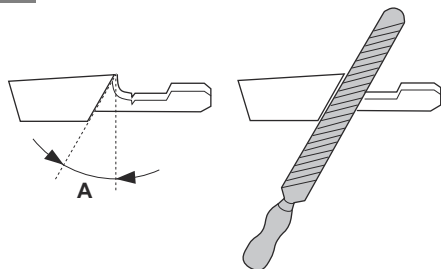
71



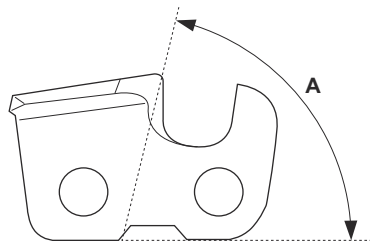
72



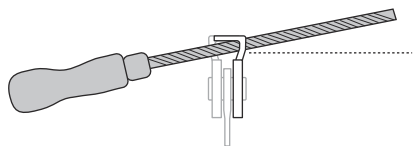
73



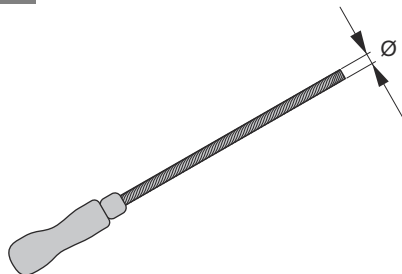
74



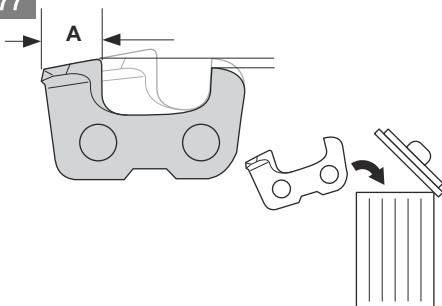
75



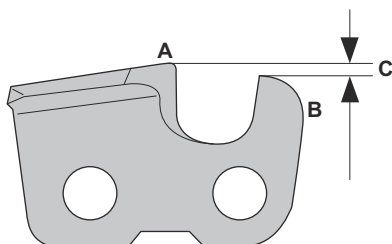
76

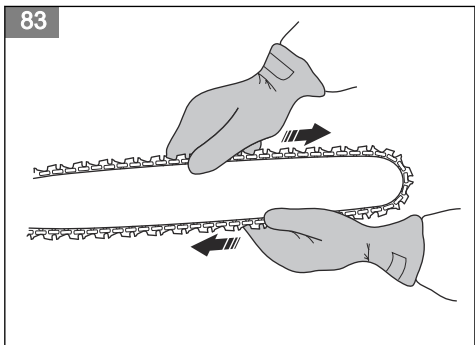
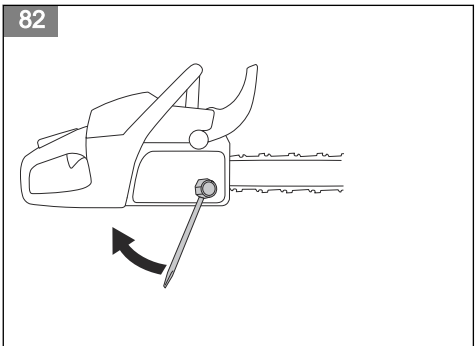
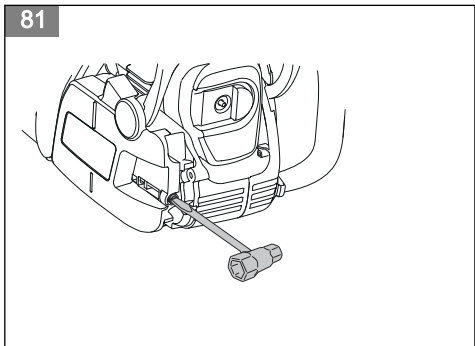
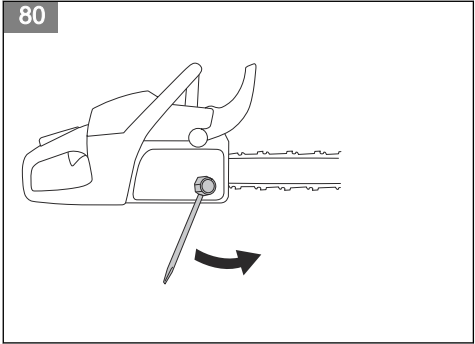
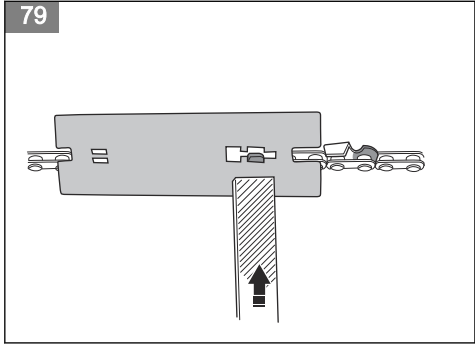


77



78





---

## Contents

---

INTRODUCTION.....	11	TRANSPORTATION.....	21
SAFETY.....	12	STORAGE.....	21
ASSEMBLY.....	15	TECHNICAL DATA.....	22
OPERATION.....	16	ACCESSORIES.....	23
MAINTENANCE.....	19	CONTENTS OF THE EC DECLARATION OF CONFORMITY.....	24

---

## INTRODUCTION

---

### Operator's manual

The initial language of this operator's manual is English. Operator's manuals in other languages are translations from English.

### Overview

(Fig. 1 )

1. Product and serial number plate
2. Trigger lockout
3. Front handle
4. Cylinder cover
5. Chain brake and front hand guard
6. Muffler
7. Spiked bumper
8. Bar nose sprocket
9. Right hand guard
10. Trigger
11. Sprocket cover
12. Chain catcher
13. Guide bar
14. Saw chain
15. Starter handle
16. Chain oil tank
17. Starter
18. Fuel tank
19. Choke control
20. Rear handle
21. Stop switch
22. Idle adjustment screw
23. Primer bulb
24. Information and warning decal
25. Chain tensioning screw
26. Guide-bar cover
27. Combination tool
28. Two-stroke oil
29. Operator's manual (EPA)

### Symbols on the product

- (Fig. 2 ) Warning
- (Fig. 3 ) Read this manual
- Use approved head protection, hearing protection and eye protection
- (Fig. 4 ) Use approved protective gloves
- The product agrees with the applicable EC Directives
- (Fig. 6 ) Sound power level
- (Fig. 7 ) Chain brake, not engaged (left). Chain brake, engaged (right)
- (Fig. 8 ) Choke control
- (Fig. 10 ) Primer bulb
- (Fig. 11 ) Refuelling
- (Fig. 12 ) Chain oil fill
- This product agrees with the applicable EAC directives
- (Fig. 13 ) This product agrees with the applicable Ukraine directives
- (Fig. 14 ) Noise level
- (Fig. 15 ) Hold the product properly with both hands
- (Fig. 16 ) Do not use with one hand
- (Fig. 17 ) Avoid contact with nose of guide bar
- (Fig. 18 ) Beware of kickback
- (Fig. 19 )

This product agrees with the applicable Australia and New Zealand electromagnetic compatibility directives.  
(Fig. 20)

**Note:** Other symbols/decals on the product refer to certification requirements for other commercial areas.

## Product liability

As referred to in the product liability laws, we are not liable for damages that our product causes if:

- the product is incorrectly repaired.
- the product is repaired with parts that are not from the manufacturer or not approved by the manufacturer.
- the product has an accessory that is not from the manufacturer or not approved by the manufacturer.
- the product is not repaired at an approved service center or by an approved authority.

---

# SAFETY

---

## Safety definitions

The definitions below give the level of severity for each signal word.



**WARNING:** Injury to persons.



**CAUTION:** Damage to the product.

**Note:** This information makes the product easier to use.

## General safety instructions

- Use the product correctly. Injury or death is a possible result of incorrect use. Only use the product for the tasks found in this manual. Do not use the product for other tasks.
- Read, understand and obey the instructions in this manual. Obey the safety symbols and the safety instructions. If the operator does not obey the instructions and the symbols, injury, damage or death is a possible result.
- Do not discard this manual. Use the instructions to assemble, to operate and to keep your product in good condition. Use the instructions for correct installation of attachments and accessories. Only use approved attachments and accessories.
- Do not use a damaged product. Obey the maintenance schedule. Only do the maintenance work that you find an instruction about in this manual. An approved service center must do all other maintenance work.
- This manual cannot include all situations that can occur when you use the product. Be careful and use your common sense. Do not operate the product or do maintenance to the product if you are not sure about the situation. Speak to a product expert, your dealer, service agent or approved service center for information.
- Disconnect the spark plug cable before you assemble the product, put the product into storage or do maintenance.
- Do not use the product if it is changed from its initial specification. Do not change a part of the product without approval from the manufacturer. Only use parts that are approved by the manufacturer. Injury or death is a possible result of incorrect maintenance.
- Do not breathe in the fumes from the engine. Breathing in the engine's exhaust fumes, chain oil mist and sawdust for a long period can cause a health risk.
- Do not start the product indoors or near flammable material. The exhaust fumes are hot and can contain a spark which can start a fire. Without sufficient airflow, injury or death can result from asphyxiation or carbon monoxide.
- This product makes an electromagnetic field during operation. The electromagnetic field can cause damage to medical implants. Speak to your physician and medical implant manufacturer before you operate the product.
- Do not let a child operate the product.
- Do not let a person, without knowledge of the instructions, operate the product.
- Always monitor a person, with decreased physical capacity or mental capacity, that uses the product. A responsible adult must be there at all times.
- Lock the product in an area that children and not approved persons cannot access.
- The product can eject objects and cause injuries. Obey the safety instructions to decrease the risk of injury or death.
- Do not go away from the product when the engine is on. Stop the engine and make sure that the chain does not turn.
- The operator of the product is responsible if an accident occurs.
- Make sure that parts are not damaged before you use the product.
- Refer to national or local laws. They can prevent or decrease the operation of the product in some conditions.

## Safety instructions for operation

- Continuous or regular operation of the product can cause "white finger" or equivalent medical problems from vibrations. Examine the condition of your hands and fingers if you operate the product continuously or regularly. If your hands or fingers have discoloration, have pain, tingle, or are numb, stop work and speak to a physician immediately.
- Make sure the product is fully assembled before you use it.
- The product can cause objects to eject, which can cause damage to the eyes. Always use approved eye protection when you operate the product.
- Be careful, a child can come near the product without your knowledge during operation.
- Do not operate the product if there are persons in the work area. Stop the product if a person goes into the work area.

(Fig. 21)

- Make sure that you are always in control of the product.
- The product must be operated with two hands. Do not operate the product with one hand. Serious injury to the operator, workers, bystanders, or a combination of these persons may result from operation with only one hand.
- Hold the front handle with your left hand and the rear handle with your right hand. Hold the product on the right side of your body.

(Fig. 22)

- Do not operate the product when you are fatigued, ill or under the influence of alcohol or other drugs.
- Do not use the product if you cannot receive aid if an accident occurs. Make others aware that you will operate the product before you start the product.
- Do not turn with the product before you make sure that no persons or animals are in the safety area.
- Remove all unwanted materials from the work area before you start. If the chain hits an object, the object can eject and cause injury or damage. Unwanted material can wind around the chain and cause damage.
- Do not use the product in bad weather, such as fog, rain, strong winds, risk of lightning or other weather conditions. Dangerous conditions, such as slippery surfaces, can occur because of bad weather.
- Make sure that you can move freely and work in a stable position.
- Make sure that you cannot fall when you use the product. Do not tilt when you operate the product.
- Always hold the product with your two hands. Hold the front handle with your left hand and the rear handle with your right hand. Hold the product on the right side of your body.
- If the choke control is in the choke position when the engine starts, the chain starts to turn.
- Stop the engine before you move the product.

- Do not put down the product with the engine on.
- Before you remove the unwanted materials from the product, stop the engine. Let the chain stop before you or an aid remove the cut material.
- Do not operate this product in a tree. Operation of the product while up in a tree may result in personal injury.

(Fig. 23)

- The chain brake must be engaged when the product is started to decrease the risk that the saw chain touches you during start.

(Fig. 24)

- Avoid kickback, skating, bouncing and dropping, which can result in serious injury.
- Obey all safety rules to help avoid kickback and other forces which can result in serious injury.
- Adjust the saw chain tension regularly to make sure that the saw chain does not slack. A slack saw chain may jump off and cause serious injury or death.
- Do not fell trees using an incorrect procedure. This can cause injury to persons, hit a utility line or cause damage to property.
- The operator should remain on the uphill side of the terrain as the tree is likely to roll or slide downhill after it is felled.

(Fig. 25)

- Plan and clear an escape path before cuts are started. The escape path should extend back and diagonally to the rear of the expected line of fall.

(Fig. 26)

- Always stop the engine before you move the product between the trees.
- Make sure you firmly plant your feet on the ground and distribute your weight evenly.

(Fig. 27)

- Always keep proper footing and operate the product only when standing on fixed, secure and level surface. Slippery or unstable surfaces such as ladders may cause a loss of balance or control.

(Fig. 28)

### Kickbacks, skating, bouncing and dropping

Different forces can have an effect on the safe control of the product.

- **Skating** is when the guide bar glides or moves quickly across the wood.
- **Bouncing** is when the guide bar lifts off the wood and touches it again and again.
- **Dropping** is when the product drops down after the cut is made. This can cause the moving chain to touch a part of the body or other objects, causing injury or damage.
- **Kickback** is when the end of the guide bar touches objects and moves rearward, up or suddenly forward. Kickback also occurs when the wood closes

in and pinches the saw chain during the cut. Loss of control can result if the product touches an object in wood.

(Fig. 29)

- **Rotational Kickback** can occur when the moving chain touches an object at the top of the guide bar. This can cause the chain to bury into the object and cause the chain to stop immediately. The result is a very fast, reverse reaction that moves the guide bar up and rearward in the direction of the operator.

(Fig. 30)

(Fig. 31)

- **Pinch-Kickback** can occur when the saw chain suddenly stops during the cut. The wood closes in and pinches the moving saw chain along the top of the guide bar. The sudden stop of the chain reverses the chain force and causes the product to move in the opposite direction of the turn of the chain. The product moves rearward in the direction of the operator.

(Fig. 32)

- **Full-In** can occur when the saw chain suddenly stops when the moving chain touches an object in the wood along the bottom of the guide bar. The sudden stop pulls the product forward and away from the operator, which can easily cause the loss of control of the product by the operator.

(Fig. 33)

Make sure that you understand the different forces and how to prevent them before you operate the product.

## To prevent kickbacks, skating, bouncing and dropping

- While the engine runs, make sure to hold the product tightly. Keep your right hand on the rear handle and the left hand on the front handle. Tightly hold with thumbs and fingers around the handles. Do not let go.
- Keep control of the product during the cut and after the wood falls to the ground. Do not let the weight of the product drop down after the cut is made.(Fig. 34)
- Make sure that the area in which you are cutting is free from blockage. Do not let the nose of the guide bar touch a log, branch or other blockages while you operate the product.
- Cut at high engine speeds.
- Do not overreach or cut above shoulder height.(Fig. 35)
- Obey the manufacturer's sharpening and maintenance instructions for the saw chain.
- Only use replacement guide bars and saw chains specified by the manufacturer.
- The risk of kickback is increased if the depth gauge setting is too large.

## Personal protective equipment

- Always use the correct personal protective equipment when you operate the product. The personal protective equipment does not erase the risk of injury. The personal protective equipment decreases the grade of injury if an accident occurs.
- Generally, clothes should be close-fitting without restricting your freedom of movement.
- Use an approved protective helmet.
- Always use approved ear protection while you operate the product. Noise for a long period can cause hearing loss.
- Use protective glasses or a face visor to reduce the risk of injury from thrown objects. The product is capable of throwing objects, such as wood chips, small pieces of wood, etc., at great force. This can result in serious injury, especially to the eyes.
- Use gloves with chainsaw protection.
- Use trousers with chainsaw protection.
- Use boots with chainsaw protection, steel toe-cap and non-slip sole.
- Make sure that you have a first aid kit near.
- Sparks can come from the muffler, the guide bar and saw chain or other sources. Always have fire extinguishing tools and a shovel available to help prevent forest fires.

## Protective devices on the product

- Make sure that you regularly do the maintenance to the product.
  - The life of the product increases.
  - The risk of accidents decreases.

Let an approved dealer or an approved service center regularly examine the product to do adjustments or repairs.

- Do not use a product with damaged protective equipment. If the product is damaged, speak to an approved service center.

## Stop switch

Start the engine. Make sure that the engine stops when you move the stop switch to the stop position.

## To examine the throttle trigger lockout

1. Make sure that the trigger (B) is locked at idle when you release the trigger lockout (A).(Fig. 36)
2. Push the trigger lockout (A) and make sure that it goes back to its initial position when you release it.
3. Push the trigger (B) and make sure that it goes back to its initial position when you release it.
4. Start the engine, and then apply full speed.
5. Release the trigger and examine if the saw chain stops.
6. If the saw chain turns with an idle engine, examine the idle adjustment screw of the carburetor.

## Guard

The guard prevents objects from being ejected in the direction of the operator. The guard also prevents accidental touch between the operator and the saw chain.

- Make sure that the guard is permitted for operation in combination with the product.
- Do not use the product without the guard.
- Make sure that the guard is not damaged. Replace the guard if it is worn or has cracks.

## Fuel safety

- Do not start the product if there is fuel or engine oil on the product. Remove the unwanted fuel/oil and let the product dry. Remove unwanted fuel from the product.
- If you spill fuel on your clothing, change clothing immediately.
- Do not get fuel on your body, it can cause injury. If you get fuel on your body, use a soap and water to remove the fuel.
- Do not start the engine if you spill oil or fuel on the product or on your body.
- Do not start the product if the engine has a leak. Examine the engine for leaks regularly.
- Be careful with fuel. Fuel is flammable and the fumes are explosive and can cause injuries or death.
- Do not breathe in the fuel fumes, it can cause injury. Make sure that there is a sufficient airflow.
- Do not smoke near the fuel or the engine.
- Do not put warm objects near the fuel or the engine.
- Do not add the fuel when the engine is on.
- Make sure that the engine is cool before you refuel.
- Before you refuel, open the fuel tank cap slowly and release the pressure carefully.
- Do not add fuel to the engine in an indoor area. Not sufficient airflow can cause injury or death because of asphyxiation or carbon monoxide.
- Tighten the fuel tank cap carefully or a fire can occur.
- Move the product at a minimum of 3 m (10 ft) from the position where you filled the tank before a start.
- Do not put too much fuel in the fuel tank.
- Make sure that a leak cannot occur when you move the product or fuel container.
- Do not put the product or a fuel container where there is an open flame, spark or pilot light. Make sure that the storage area does not contain an open flame.

- Only use approved containers when you move the fuel or put the fuel into storage.
- Empty the fuel tank before long-term storage. Obey the local law on where to dispose fuel.
- Clean the product before long-term storage.
- Remove the spark plug cable before you put the product into storage to make sure that the engine does not start accidentally.

## Safety instructions for maintenance

- Disconnect the spark plug before doing maintenance on the product, not including carburetor adjustments.
- Have all product servicing done by an approved dealer, not including the tasks in *MAINTENANCE on page 19*.
- Make sure the saw chain stops moving when the throttle trigger is released.
- Keep the handles dry, clean, and free from oil or fuel mixture.
- Keep caps and fasteners correctly tightened.
- Replacement components that are not approved or the removal of safety devices can cause damage to the product. This can also cause possible injury to the operator or bystanders. Only use accessories and replacement parts as recommended. Do not change your product.
- Keep the saw chain sharp and clean for safe and high performance.
- Obey the instructions for lubricating and changing accessories.
- Examine the product for damaged parts. Before more use of the product, make sure the damaged guard or part operates correctly. Examine for broken or incorrectly aligned parts, and parts that do not move freely. Examine for other conditions that can have an effect on the operation of the product. Make sure the product is correctly installed. A guard or other damaged part must be repaired or replaced by an approved dealer unless written in the operator's manual.
- When not in operation, keep the product in a dry, high or locked area away from children.
- During transportation or storage of the product, use a guide bar cover or case to move the product.
- Do not use waste oil. Waste oil can be dangerous to you and can cause damage to the product and environment.

---

# ASSEMBLY

---



**WARNING:** Read and understand the safety chapter before you assemble the product.

---

## To assemble the guide bar and saw chain

1. Move the front hand guard in the direction of the front handle to disengage the chain brake.
2. Fold the knob out to open position. (Fig. 37 )
3. Turn the knob counterclockwise to loosen the bar cover.(Fig. 38 )
4. Remove the knob (A) and the sprocket cover. Remove the transportation guard, if installed. (Fig. 39 )
5. Put the guide bar over the bar bolts. Steer the guide bar to its most rear position. Put the chain over the drive sprocket and engage it in the groove on the guide bar. Start on the top edge of the guide bar. (Fig. 40 )
6. Make sure that the edges of the cutting links are turned forward on the top edge of the guide bar.
7. Assemble the sprocket cover and steer the chain adjuster pin to the hole in the guide bar. Make sure that the drive links of the chain fit correctly on the drive sprocket. Also make sure that the saw chain is correctly engaged in the groove in the guide bar. (Fig. 41 )
8. Tighten the saw chain by turning the wheel down (+). Tighten the chain until it does not sag from below of the guide bar. (Fig. 42 )
9. The saw chain is correctly tightened as it does not sag from below the guide bar, but you can turn it easily by hand.

10. Hold up the guide bar tip and turn the knob clockwise to tighten it. (Fig. 43 )

- Examine the chain tension frequently after you assemble a new saw chain and until the saw chain has been run-in.
- Examine the chain tension regularly. Correct chain tension results in good cutting performance and a long life.

## To reset the chain brake

If the clutch cover is removed accidentally while the chain brake is locked, the chain brake must be unlocked so the clutch cover can be assembled without binding to the clutch drum.



**CAUTION:** The chain brake spring is under tension. Use care when resetting the chain brake.

**Note:** Do not hold the brake band while attempting to reset it.

1. Align the notches on the bar tool so that they fit over the brake rotating link.(Fig. 44 )
2. To reset the brake, rotate the link clockwise until it stops. The front link will be in its downward rotated position when the chain brake is unlocked.(Fig. 45 ) (Fig. 46 )

## OPERATION



**WARNING:** Read and understand the safety chapter before you operate the product.

### To use fuel



**CAUTION:** This product has a two-cycle engine. Use a mixture of gasoline and two-cycle engine oil. Make sure to use the correct quantity of oil in the mixture. Incorrect ratio of gasoline and oil can cause damage to the engine.

### Fuel mixture ratio

The fuel mixture ratio for the gasoline and two-cycle engine oil is 50:1 (2%)

Gasoline	Two-cycle engine oil
1 U.S. Gal.	77 ml (2.6 oz)
1 UK Gal.	95 ml (3.2 oz)
5 l	100 ml (3.4 oz)

### To make the fuel mixture

1. Determine the correct quantity of gasoline and engine oil (mixture ratio 50:1). Do not make more than 30 days quantity of fuel mixture. See *To use fuel on page 16*.
2. Add half of the gasoline quantity to a clean fuel container with an antispill valve.



**CAUTION:** Do not use gasoline with more than 10% ethanol concentration (E10). This can cause damage to the product.



**CAUTION:** Do not use gasoline with an octane number less than 90 RON (87 AKI). This can cause damage to the product.

**Note:** Use gasoline with a higher octane number if you frequently use the product at continuously high engine speed.



3. Add the full quantity of the two-cycle engine oil to the fuel container.



**CAUTION:** Always use air-cooled two-cycled engine oil of high quality. Other oils can cause damage to the product.

---

4. Shake the fuel mixture to mix the contents.
5. Add the remaining gasoline quantity to the fuel container.
6. Shake the fuel mixture to mix the contents.
7. Fill the fuel tank of the product with the fuel mixture. See *To use fuel on page 16*.

### To fill the fuel tank

1. Make sure that the fuel mixture is correct and that the fuel mixture is in a fuel container with an antispill valve.
2. If fuel is on the container, remove the unwanted fuel and let the container dry.
3. Make sure that the area near the fuel tank cap is clean.
4. Remove the fuel tank cap.
5. Shake the fuel container before you add the fuel mixture to the fuel tank.
6. Put back the fuel tank cap.

### To lubricate the saw chain

The product has an automatic lubrication system. The saw chain oil tank and the fuel tank are designed so that the fuel runs out before the saw chain oil. This safety feature requires that the correct chain oil is used and that the instructions are obeyed.

1. Use vegetable-based saw chain oil or a standard chain oil.
2. Make sure that the area near the cap of the saw chain oil tank is clean.
3. Remove the cap of the saw chain oil tank.
4. Fill the saw chain oil tank with the recommended saw chain oil.
5. Put back the cap of the saw chain oil tank.

### To start and stop

#### Before you start the engine

- Examine the product for missing, damaged, loose or worn parts.
- Examine the nuts, screws and bolts.
- Examine the air filter.
- Examine the trigger lockout and the trigger for correct operation.
- Examine the stop switch for correct operation.
- Examine the product for fuel leaks.
- Examine the saw chain sharpness and tension.

### To start a cold engine

1. Move the front hand guard forward to engage the chain brake. (Fig. 47 )
2. Push the primer bulb 6 times. (Fig. 48 )
3. Move the choke control to the full choke position. (Fig. 49 )
4. Hold the body of the product on the ground with your left hand. Put your right foot in the rear handle to make the chainsaw stable. Pull the starter rope handle slowly until you feel some resistance. Then pull the starter rope handle with force 5 times. (Fig. 50 )

---

**Note:** Do not pull the trigger while you start the engine.

---

5. Move the choke control to the no choke position.
6. Pull the starter rope handle until the engine starts. Wait 60 seconds after a start before you pull the trigger.



**CAUTION:** Do not pull the starter rope until it stops. Do not let go of the starter rope when it is fully extended. Release the starter rope slowly. Obey these instructions to prevent damage to the engine.

---

7. Pull the front hand guard in the direction of the front handle to disengage the chain brake.
8. Hold the rear handle with your right hand and the front handle with your left hand.
9. Use the product.

### To start a warm engine

1. Move the front hand guard forward to engage the chain brake.
2. Push the primer bulb 6 times.
3. Move the choke control to the full choke position.
4. Move the choke control to the no choke position.
5. Hold the body of the product on the ground with your left hand. Put your right foot in the rear handle to make the chainsaw stable.. Pull the starter rope handle slowly until you feel some resistance. Then pull the starter rope handle with force until the engine starts. (Fig. 51 )

---

**Note:** Do not pull the trigger while you start the engine.

---



**CAUTION:** Do not pull the starter rope until it stops. Do not let go of the starter rope when it is fully extended. Release the starter rope slowly. Obey these instructions to prevent damage to the engine.

---

- Pull the front hand guard in the direction to the front handle to disengage the chain brake.
- Hold the rear handle with your right hand and the front handle with your left hand.
- Use the product.

### To start the engine when the fuel is too hot

If the product does not start, the fuel can be too hot.

**Note:** Always use new fuel and decrease the operation time during warm weather.

- Put the product in a cool area away from open sunlight.
- Let the product cool down for 20 minutes at minimum.
- Press the primer bulb again and again for 10-15 seconds.
- Obey the procedure to start a cold engine. See *To start a cold engine on page 17.*

### To stop the engine

- Push the stop switch to stop the engine.

**Note:** The stop switch automatically goes back to its initial position.

### To use a spike bumper

A spike bumper prevents kickbacks and holds the wood as you cut. The spike bumper is a pivot between the engine body and the guide bar.

- Put the lower end of the spike bumper at the correct hinge width.
- Press, with your left hand, against the front handle while you lift the rear handle with your right hand.
- Saw until you get the correct hinge width.

**Note:** The hinge must have an equal thickness.

- Saw more than half of the diameter and then put the felling wedge into the saw cut.

### To fell a tree

- Remove dirt, stones, loose bark, nails, staples and wire from the tree.
- Make a notch 1/3 the diameter of the tree, perpendicular to the direction of the fall.(Fig. 52 )
- Make the lower horizontal notch cut. This will prevent either the saw chain or the guide bar from being pinched when the second notch is made.

- Make the felling back cut (X) at least 50 mm (2 in) higher than the horizontal notching cut. Keep the felling back cut parallel to the horizontal notching cut so enough wood is left to act as a hinge. Do not cut through the hinge. The hinge wood keeps the tree from twisting and falling in the wrong direction.(Fig. 53 )(Fig. 54 )
- As the felling back cut nears the hinge, the tree starts to fall. Make sure that the tree can fall in the correct direction and not rock rearward and pinch the saw chain. Stop the cut before the felling back cut is complete to prevent this. Use wedges of wood, plastic or aluminium to open the cut and let the tree fall along the necessary line of fall.(Fig. 55 )
- When the tree begins to fall, remove the product from the cut, stop the engine, put the product down, then use the retreat path planned. Be alert for overhead limbs falling and watch your footing.(Fig. 56 )

### To limb a tree

- Use larger limbs to hold the log off the ground.
- Remove small limbs in one cut.(Fig. 57 )
- Cut branches that have tension from the bottom to the top to prevent pinching the saw chain or the guide bar.

### To buck a log



**CAUTION:** Do not let the saw chain touch the ground.

- If the log is supported along its entire length, cut from the top of the log (known as overbucking).(Fig. 58 )
- If the log is supported on one end, cut 1/3 the diameter from the underside of the log (known as underbucking) .(Fig. 59 )
- If the log is supported on both ends, cut 1/3 the diameter from the top. Complete the cut by underbucking the lower 2/3 of the log to meet the first cut.(Fig. 60 )
- If you buck a log on a slope, always stand on the uphill side of the log. Cut through the log while you maintain complete control of the product, then release the cutting pressure near the end of the cut while firmly gripping the rear handle and front handle.(Fig. 61 )

---

# MAINTENANCE

---



**WARNING:** Read and understand the safety chapter before you clean, repair or do maintenance on the product.

---

## Maintenance schedule

Make sure that you obey the maintenance schedule. The intervals are calculated from daily use of the product. The intervals are different if you do not use the product each day. Only do the maintenance work that is found in this manual. Speak to an approved service center about other maintenance work not found in this manual.

## Daily maintenance

- Clean the external surfaces.
- Make sure that the lockout and trigger work correctly.
- Clean the chain brake and make sure that it works correctly.

(Fig. 62 )

- Examine the chain catcher for damage. Replace the chain catcher if it is damaged.

(Fig. 63 )

- Turn the guide bar daily for more even wear.
- Make sure that the lubrication hole in the guide bar is not clogged.

(Fig. 64 )

- Clean the guide bar groove.

(Fig. 65 )

- Make sure that the guide bar and saw chain get sufficient oil.
- Examine the saw chain:
  - for cracks in the rivets and links.
  - for abnormally worn rivets and links.
  - for correct tension.

If necessary, replace the saw chain.

- Sharpen the saw chain. See *To sharpen the saw chain on page 20*.
- Examine the drive sprocket for excessive wear and replace if necessary.

(Fig. 66 )

- Clean the air intake of the starter unit.
- Make sure that the nuts and screws are tight.
- Make sure that the stop switch works correctly.
- Examine the engine, tank and fuel lines for fuel leaks.
- Make sure that the saw chain does not rotate when the engine is idling.

## Weekly maintenance

- Make sure that the cooling system works correctly.
- Make sure that the starter, starter cord and return spring work correctly.
- Make sure that the vibration damping elements are not damaged.

(Fig. 67 )

- File off any burrs from the edges of the guide bar.
- Clean or replace the spark arrester screen on the muffler.

(Fig. 68 )

- Clean the external surfaces of the carburetor and its adjacent areas.
- Clean the air filter. Install a new air filter if it is damaged or too dirty to be fully cleaned. See *To clean the air filter on page 20* for more information.

## Monthly maintenance

- Examine the brake band on the chain brake for wear. Replace when the brake band thickness is less than 0.6 mm (0.024 in) at the most worn point.

(Fig. 69 )

- Examine the clutch center, clutch drum and clutch spring for wear.
- Clean the spark plug. Make sure that the electrode gap is correct.

(Fig. 70 )

- Clean the external surfaces of the carburetor and its adjacent areas.
- Examine the fuel filter and the fuel hose. Replace if necessary.
- Empty the fuel tank.
- Empty the oil tank.
- Examine all cables and connections.

## Yearly maintenance

- Examine the spark plug.
- Clean the external surfaces of the carburetor and its adjacent areas.
- Clean the cooling system.
- Examine the spark arrester screen.
- Examine the fuel filter.
- Examine the fuel hose for damage.
- Examine all cables and connections.

## Intermittent maintenance

- Have an approved service center repair or replace the muffler after 50 hours of operation.
- Do maintenance on the spark plug when:
  - the power level in the engine is low.

- it is hard to start the engine.
- the engine does not work correctly at idle speed.
- Do a check of the saw chain lubrication each time you refuel. See *To do a check of the saw chain lubrication on page 21*.

## To adjust the idle speed

Make sure that the air filter is clean and the air filter cover is attached before you adjust the idle speed.

1. Turn the idle adjustment screw, which is identified with a "T" mark, clockwise until the saw chain starts to turn.
2. Turn the idle adjustment screw, which is identified with a "T" mark, counterclockwise until the saw chain stops.
3. The idle speed must be below the speed when the saw chain starts to turn. The idle speed is correct when the engine operates smoothly in all positions.

## To clean the spark arrester screen

1. Use a wire brush to clean the spark arrester screen.

## To do maintenance on the spark plug



**CAUTION:** Use the recommended spark plug. Make sure that the replacement is the same as the manufacturer supplied part. An incorrect spark plug can cause damage to the product.

1. If the product is hard to start or operate, examine the spark plug for unwanted materials. To decrease the risk of unwanted material on the spark plug electrodes:
  - a) make sure that the idle speed is correctly adjusted.
  - b) make sure that the fuel mixture is correct.
  - c) make sure that the air filter is clean.
2. Clean the spark plug if it is dirty. Make sure that the electrode gap is correct.(Fig. 71 )
3. Replace the spark plug when it is necessary.

## To clean the air filter

1. Remove the air filter cover and remove the air filter.
2. Clean the air filter with warm soap water. Make sure that the air filter is dry before you install it.
3. Replace the air filter if it is too dirty to fully clean it. Always replace a damaged air filter.

## To sharpen the saw chain

### The cutter

The cutting part of the saw chain is called the cutter and consists of a cutting tooth (A) and the depth gauge (B). The cutters cutting depth is determined by the difference in height between the two, the depth gauge setting (C).

(Fig. 72 )

When you sharpen a cutting tooth there are four important factors to remember:

- Filing angle.

(Fig. 73 )

- Cutting angle.

(Fig. 74 )

- File position.

(Fig. 75 )

- Round file diameter.

(Fig. 76 )

## To sharpen the cutting teeth

Use a round file and a file gauge to sharpen the cutting teeth. See *Saw chain filing and saw chain combinations on page 23* for information on the recommended dimension of the file and gauge for the saw chain installed on your product.

1. Make sure that the saw chain is correctly tensioned. A slack chain will move sideways, making it more difficult to sharpen correctly.
2. File all teeth on one side first. File the cutting teeth from the inside face and reduce the pressure on the return stroke.
3. Turn the product over and file the teeth on the other side.
4. File all the teeth to the same length. When the length of the cutting teeth is reduced to 4 mm (5/32") the saw chain is worn out and must be replaced.(Fig. 77 )

## To adjust the depth gauge setting

Sharpen the cutting teeth before you adjust the depth gauge setting. See *To sharpen the cutting teeth on page 20*. When you sharpen the cutting tooth (A), the depth gauge setting (C) will decrease. To maintain optimal cutting performance, the depth gauge (B) has to be filed down to achieve the recommended depth gauge setting. See *Saw chain filing and saw chain combinations on page 23* to find the correct depth gauge setting for your particular chain.  
(Fig. 78 )  
(Fig. 79 )

**Note:** This recommendation assumes that the length of the cutting teeth is not reduced excessively.

Use a flat file and depth gauge tool to adjust the depth gauge.

1. Put the depth gauge tool above the saw chain. Detailed information regarding how to use the depth gauge tool will be found on the package of the depth gauge tool.
2. Use the flat file to file off the tip of the depth gauge that protrudes through the depth gauge tool. The

depth gauge setting is correct when you no longer feel resistance as you draw the file along the depth gauge tool.

## To tension the saw chain

---

**Note:** Check the tension of a new saw chain frequently during its running-in period.

---

1. Loosen the guide bar nuts that hold the sprocket cover. Use the combination wrench. (Fig. 80 )
2. Tighten the guide bar nuts by hand as tight as you can.
3. Lift the top of the guide bar and extend the saw chain by tightening the chain tensioning screw. Use the combination wrench. Tighten the saw chain until it does not hang down from the bottom of the guide bar. (Fig. 81 )
4. Tighten the guide bar nuts using the combination wrench and lift the tip of the guide bar at the same time. (Fig. 82 )
5. Make sure that you can pull the saw chain round freely by hand and that it does not sag.(Fig. 83 )

## To lubricate the cutting equipment

### To do a check of the saw chain lubrication

Do a check of the chain saw lubrication each time you refuel.

1. Start the product and let it run at 3/4 speed. Point the nose of the guide bar at a light color surface almost 20 cm (8 in) away.
2. After 1 minute of running, a line of oil shows on the light surface.
3. If you cannot see the line of oil after 1 minute, clean the oil channel in the guide bar. Clean the groove in the edge of the guide bar. Make sure the guide bar nose sprocket turns freely and that there are no blockages in the lubrication hole. Clean and lubricate the tip sprocket.
4. Start the product and let it run at 3/4 speed. Point the nose of the bar at a light color surface almost 20 cm (8 in) away.
5. After 1 minute of running, a line of oil shows on the light surface.
6. If you cannot see the line of oil after 1 minute, speak to your approved dealer.

---

## TRANSPORTATION

---

- Empty the fuel and chain oil tanks before transportation. Discard used fluids correctly.
- Put the guide bar cover on the cutting attachment during transportation. This prevents persons from touching the sharp saw chain by accident. A saw chain not in operation can cause injury to you or other persons that touch a sharp saw chain.
- Remove the spark plug cap from the spark plug and engage the chain brake before transportation.
- Make sure the product cannot move during transportation.

---

## STORAGE

---

- Always put the product away safely when not in operation. Leakages and fumes from the product can touch sparks, naked flames from electrical equipment, electrical mowers, relays/switches, boilers and more.
- Always save fuel in an approved container.
- Empty the fuel and chain oil tanks when the product is in storage for longer periods of time. Discard used fluids correctly.
- During storage, put the guide bar cover on the guide bar. This prevents persons from accidentally touching the sharp saw chain. A saw chain not in operation can cause serious injury to you or persons who touch a sharp saw chain.
- Remove the spark plug cap from the spark plug and engage the chain brake before storage.

## TECHNICAL DATA

	unit	120 Mark II (P02138HV)
<b>Engine specifications</b>		
Cylinder displacement	cm <sup>3</sup>	38
Spark plug		Champion RCJ7Y
Electrode gap	mm (in)	0.5 (0.02)
Fuel tank volume	cm <sup>3</sup>	300
Idle speed	min <sup>-1</sup>	2800-3200
Power output at 9000 min <sup>-1</sup>	kW	1.4
Emission durability period	h	50
<b>Noise and vibration data</b>		
Equivalent vibration levels, a <sub>hveq</sub> front handle <sup>1</sup>	m/s <sup>2</sup>	4.5
Equivalent vibration levels, a <sub>hveq</sub> rear handle <sup>2</sup>	m/s <sup>2</sup>	6.0
Sound power level, guaranteed (L <sub>WA</sub> ) <sup>3</sup>	dB(A)	116
Sound power level, measured <sup>4</sup>	dB(A)	110
Sound pressure level at operator's ear <sup>5</sup>	dB(A)	95
<b>Product dimensions</b>		
Weight (excluding cutting equipment)	kg	4,9
Oil tank volume	cm <sup>3</sup>	200
<b>Fuel and lubrication system</b>		
Oil pump capacity at 9000 min <sup>-1</sup>	ml/min	7
Oil tank volume	cm <sup>3</sup>	200
Type of oil pump		Automatic
<b>Saw chain and guide bar</b>		
Standard guide bar length	cm (in)	35-40 (14-16)
Recommended bar lengths	cm (in)	35-45 (14-18)
Usable cutting length	cm (in)	34-39 (13.5 -15.5)

<sup>1</sup> Equivalent vibration level, according to ISO 22867, is calculated as the time-weighted energy total for vibration levels under various working conditions. Reported data for equivalent vibration level has a typical statistical dispersion (standard deviation) of 1 m/s<sup>2</sup>.

<sup>2</sup> Equivalent vibration level, according to ISO 22867, is calculated as the time-weighted energy total for vibration levels under various working conditions. Reported data for equivalent vibration level has a typical statistical dispersion (standard deviation) of 1 m/s<sup>2</sup>.

<sup>3</sup> Noise emissions in the environment measured as sound power (L<sub>WA</sub>).

<sup>4</sup> Noise emissions in the environment measured as sound power (L<sub>WA</sub>).

<sup>5</sup> Equivalent sound pressure level is calculated as the time-weighted energy total for different sound pressure levels under various working conditions. Typical statistical dispersion for equivalent sound pressure level is a standard deviation of 1 dB(A).

	unit	120 Mark II (P02138HV)
Maximum saw chain speed	m/s	22.3
Saw chain pitch	mm (in)	8,3 (0.325) 9,52 (3/8)
Thickness of drive links (gauge)	mm (in)	1.3 (0.05)
Type of drive sprocket		Spur
Number of drive sprocket teeth		6 (drive sprocket 3/8) 7 (drive sprocket 0,325)

## ACCESSORIES

### Guide bar and saw chain combinations

The cutting attachments below are approved for the product.

Guide bar				Saw chain	
Length, cm (in)	Pitch, mm (in)	Gauge, mm (in)	Max. nose radius	Type	Drive link count
33 (13)	8,25 (0,325)	1,3 (0,050)	10T	Husqvarna H30	56
38 (15)	8,25 (0,325)				64
35 (14)	9,52 (3/8)		7T	Husqvarna H37	52
40 (16)	9,52 (3/8)				56
45 (18)	9,52 (3/8)				62

### Saw chain filing and saw chain combinations

Saw chain					
Chain type	Round file size	Side plate angle	Top plate angle	File guide angle	Depth gauge setting
H30	3/16 in. / 4,8 mm	60°	30°	10°	0,025 in. / 0,65 mm
H37	5/32 in. / 4,0 mm	60°	30°	0°	0,025 in. / 0,65 mm

---

# CONTENTS OF THE EC DECLARATION OF CONFORMITY

---

We, Husqvarna AB, SE 561 82 Huskvarna, SWEDEN, declare under our sole responsibility that the represented product:

<b>Description</b>	<b>Gasoline chainsaw</b>
Brand	Husqvarna
Platform / Type / Model	Platform P02138HV, representing model 120 Mark II
Batch	Serial number dating 2018 and onwards

complies fully with the following EU directives and regulations:

<b>Directive/Regulation</b>	<b>Description</b>
2006/42/EC	"relating to machinery"
2014/30/EU	"relating to electromagnetic compatibility"
2000/14/EC	"relating to outdoor noise"

Harmonized standards and/or technical specifications applied are as follows: EN ISO 12100, EN ISO 11681-1, CISPR 12, ISO 14982

In accordance with directive 2000/14/EC, Annex V, the declared sound values are stated in the technical data section of this manual and in the signed EC Declaration of Conformity.

TÜV Rheinland LGA Products GmbH, Notified Body for Machinery (notified under 0197), Tillystraße 2 - 90431 Nürnberg, Germany, carried out an EC type examination in accordance with 2006/42/EC, article 12, point 3b.

The type examination certificate, in accordance with Annex IX, as provided in the signed Declaration of Conformity, is applicable to all manufacturing locations and Countries of Origin, as stated on the product.

This chainsaw conforms to the example that underwent EC type examination.



---

## Содержание

---

ВЪВЕДЕНИЕ.....	25	ТРАНСПОРТИРАНЕ.....	37
БЕЗОПАСНОСТ.....	26	СЪХРАНЕНИЕ.....	37
МОНТАЖ.....	30	ТЕХНИЧЕСКИ ХАРАКТЕРИСТИКИ.....	37
РАБОТА.....	31	ПРИНАДЛЕЖНОСТИ.....	39
ТЕХНИЧЕСКО ОБСЛУЖВАНЕ.....	34	СЪДЪРЖАНИЕ НА ДЕКЛАРАЦИЯТА ЗА СЪОТВЕТСТВИЕ НА ЕС.....	39

---

## ВЪВЕДЕНИЕ

---

### Инструкция за експлоатация

Оригиналната версия на настоящата инструкция за експлоатация е на английски език. Инструкциите за

експлоатация на други езици са преведени от английски.

### Преглед

(Фиг. 1 )

1. Табелка с името на продукта и серийния номер
2. Блокировка на спусъка на газта
3. Предна дръжка
4. Капак на цилиндъра
5. Верижна спирачка и аварияен лост
6. Ауспух
7. Буферен шип
8. Звездочка на шината
9. Предпазител за дясната ръка
10. Спусък на газта
11. Капак на венеца
12. Уловител на веригата
13. Водеща шина
14. Верига за моторен трион
15. Дръжка на стартера
16. Резервоар за верижно масло
17. Стартер
18. Резервоар за гориво
19. Смукач
20. Задна дръжка
21. Превключвател за спиране
22. Регулиращ винт за обороти на празен ход
23. Подкачваща помпа
24. Информационна и предупредителна лепенка
25. Винт за натягане на веригата
26. Капак на водещата шина
27. Комбиниран инструмент
28. Масло за двутактов двигател
29. Инструкция за експлоатация (ЕРА)

### Символи върху машината

(Фиг. 2 ) Предупреждение

- (Фиг. 3) Прочетете това ръководство
- Носете одобрени защитни средства за глава, антифони и защитни средства за очите
- (Фиг. 4)
- (Фиг. 5) Използвайте одобрени защитни ръкавици
- Продуктът е в съответствие с приложимите директива на ЕО
- (Фиг. 6)
- (Фиг. 7) Сила на звука
- Верижна спирачка, незадействана (вляво). Верижна спирачка, задействана (вдясно)
- (Фиг. 8)
- (Фиг. 9) Смукач
- (Фиг. 10) Подкачваща помпа
- (Фиг. 11) Презареждане с гориво
- (Фиг. 12) Наливане на верижно масло
- Продуктът е в съответствие с приложимите директиви на ЕАС
- Продуктът е в съответствие с приложимите директиви на Украйна
- (Фиг. 14)
- (Фиг. 15) Ниво на шума
- (Фиг. 16) Дръжте продукта правилно с две ръце
- (Фиг. 17) Не използвайте с една ръка
- Избягвайте контакт с върха на водещата шина
- (Фиг. 18)
- (Фиг. 19) Пазете се от обратен удар
- Продуктът е в съответствие с приложимите директиви на Австралия и
- (Фиг. 20)

Нова Зеландия относно  
електромагнитната съвместимост.

**Забележка:** Останалите символи/стикери на продукта се отнасят до изисквания по отношение на сертификати за други търговски зони.

## Отговорност за вреди, причинени от стоки

Както е посочено в законите за отговорност за вреди, причинени от стоки, ние не носим отговорност за щети, причинени от нашия продукт, ако:

- продуктът е неправилно ремонтиран.
- продуктът е ремонтиран с части, които не са от производителя или не са одобрени от производителя.
- продуктът има принадлежност, която не е от производителя или не е одобрена от производителя.
- продуктът не е ремонтиран в одобрен сервизен център или от одобрен орган.

# БЕЗОПАСНОСТ

## Дефиниции за безопасност

Дефинициите по-долу предоставят нивото на сериозност за всяка една предупредителна дума.



**ПРЕДУПРЕЖДЕНИЕ:** Нараняване на лица.



**ВНИМАНИЕ:** Повреда на продукта.

**Забележка:** Тази информация прави продукта по-лесен за използване.

## Общи инструкции за безопасност

- Използвайте правилно продукта. Неправилната употреба може да доведе до нараняване или смърт. Използвайте продукта само за задачите, описани в настоящето ръководство. Не използвайте продукта за други задачи.
- Прочетете, разберете и спазвайте инструкциите в това ръководство. Спазвайте символите за безопасност и инструкциите за безопасност. Ако операторът не спазва инструкциите и символите, резултатът може да е нараняване, повреда или смърт.
- Не изхвърляйте това ръководство. Следвайте инструкциите за монтиране, използване и поддръжка на продукта в добро състояние. Следвайте инструкциите за правилен монтаж на приспособленията и принадлежностите. Използвайте само одобрени приспособления и принадлежности.
- Не използвайте повреден продукт. Спазвайте графика за техническо обслужване. Извършвайте само дейностите по техническо обслужване, за които ще намерите инструкция в това ръководство. Всички други дейности по техническото обслужване трябва да бъдат извършени от одобрен сервизен център.
- Това ръководство не може да включва всички ситуации, които биха могли да възникнат при използване на продукта. Бъдете внимателни и действайте разумно. Не работете с продукта и не извършвайте техническо обслужване, ако не сте сигурни относно ситуацията. За да получите информация, говорете с експерт по продукта, Вашия дистрибутор, сервиз или с одобрен сервизен център.
- Разкачете проводника на запалителната свещ преди сглобяване, складиране или техническо обслужване на продукта.
- Не използвайте продукта, ако е променен спрямо първоначалните му спецификации. Не сменяйте някоя част на продукта без одобрение от производителя. Използвайте само части, които са одобрени от производителя. Неправилното техническо обслужване е възможно да доведе до нараняване или смърт.
- Не вдъшвайте изпарения от двигателя. Продължителното вдъшване на отработени газове от двигателя, изпарения от верижното масло и прах от дървените стърготини може да е опасно за здравето.
- Не стартирайте продукта на закрито или близо до запалими материали. Отработените газове са горещи и биха могли да съдържат искри, които да предизвикат пожар. Недостатъчният въздушен поток може да доведе до нараняване или смърт поради задушаване или въглероден окис.
- Този продукт създава електромагнитно поле по време на работа. Електромагнитното поле може да предизвика повреда на медицински импланти. Говорете с Вашия лекар или с производителя на медицинския имплант, преди да започнете работа с продукта.
- Не позволявайте на деца да работят с продукта.
- Не позволявайте на лица, които не са запознати с инструкциите, да работят с продукта.
- Винаги наблюдавайте лица с намален физически или умствен капацитет, които използват продукта. През цялото време трябва да присъства отговорен възрастен.

- Съхранявайте продукта под ключ на място, недостъпно за деца и неупълномощени лица.
- Възможно е от продукта да изхвърчат предмети и да причинят наранявания. Спазвайте инструкциите за безопасност, за да намалите опасността от нараняване или смърт.
- Не се отдалечавайте от продукта, когато двигателят работи. Спрете двигателя и се уверете, че веригата не се върти.
- Операторът на продукта е отговорен при възникването на инцидент.
- Уверете се, че частите не са повредени, преди да използвате продукта.
- Направете справка с националните или местните закони. Те биха могли да предотвратят или ограничат работата на продукта при определени условия.
- Не използвайте продукта, ако няма възможност да получите помощ при възникването на инцидент. Преди да стартирате продукта, уведовете другите, че ще работите.
- Не се обръщайте, докато държите продукта, преди да се уверите, че в безопасната зона няма други хора или животни.
- Отстранете всички нежелани материали от работната зона, преди да започнете работа. Ако веригата се удари в предмет, той може да изхвърчи и да доведе до нараняване или повреда. Нежеланите материали могат да се увият около веригата и да доведат до повреда.
- Не използвайте продукта при лошо време, например при мъгла, дъжд, силни ветрове, опасност от светкавици или други метеорологични условия. При лошо време може да възникнат опасни условия от рода на хлъзгави повърхности.

## Инструкции за безопасност по време на работа

- Продължителната или честата работа с продукта може да доведе до вибрационна болест или подобни медицински проблеми, причинени от вибрации. Ако работите продължително или често с продукта, проверявайте състоянието на ръцете и пръстите си. Ако ръцете или пръстите ви се обезцветяват, имате болка, изтръпване или свхащане, спрете работа и незабавно се консултирайте с лекар.
- Уверете се, че продуктът е напълно сглобен, преди да го използвате.
- Възможно е изхвърчане на предмети от продукта, което може да доведе до увреждане на очите. Винаги използвайте одобрени защитни средства за очите, когато работите с продукта.
- Бъдете внимателни – без да знаете, някое дете може да се доближи до продукта, докато той работи.
- Не работете с продукта, ако има хора в работната зона. Спрете продукта, ако в работната зона влезе човек.
- Уверете се, че винаги имате контрол над продукта.
- При работа с продукта трябва да го държите с две ръце. Не дръжте продукта с една ръка по време на работа. Държането на продукта само с една ръка по време на работа може да доведе до сериозно нараняване на оператора, работниците, странични лица или на всички тях.
- Хванете предната дръжка с лявата ръка, а задната ръкохватка – с дясната ръка. Дръжте продукта отдалечно на тялото си.
- Уверете се, че можете да се движите свободно и да работите в стабилна позиция.
- Уверете се, че няма да паднете, когато използвате продукта. Не накланяйте при работа с продукта.
- Винаги дръжте продукта с двете си ръце. Хванете предната дръжка с лявата ръка, а задната ръкохватка – с дясната ръка. Дръжте продукта отдалечно на тялото си.
- Ако смукачът е в положение "задействан смукач", когато запалите двигателя, веригата започва да се върти.
- Спрете двигателя, преди да местите продукта.
- Не оставяйте продукта на земята, когато двигателят работи.
- Спрете двигателя, преди да отстраните нежелани материали от продукта. Изчакайте веригата да спре, преди Вие или Ваш помощник да отстраните изрязания материал.
- Не работете с продукта, покачени на дърво. Работата с продукта, докато сте на дървото, може да доведе до телесна повреда.

(Фиг. 21)

- Уверете се, че винаги имате контрол над продукта.
- При работа с продукта трябва да го държите с две ръце. Не дръжте продукта с една ръка по време на работа. Държането на продукта само с една ръка по време на работа може да доведе до сериозно нараняване на оператора, работниците, странични лица или на всички тях.
- Хванете предната дръжка с лявата ръка, а задната ръкохватка – с дясната ръка. Дръжте продукта отдалечно на тялото си.

(Фиг. 22)

- Не работете с продукта, когато сте уморени, болни или под въздействието на алкохол или други опии.

(Фиг. 23)

- За да се намали опасността от контакт с веригата за моторния трион при стартиране, верижната спирачка трябва да бъде включена при стартиране на продукта.

(Фиг. 24)

- Избягвайте откат, приплъзване, подскачане и изпускане, които могат да доведат до сериозно нараняване.
- Спазвайте всички правила за безопасност, за да избегне опасността от откат, приплъзване, подскачане и изпускане, които могат да доведат до сериозно нараняване.
- Редовно регулирайте натягането на веригата на моторния трион, за да не се отпусне. Отпуснатата верига за моторен трион може да се откачи и да предизвика сериозно нараняване или смърт.

- Не поваляйте дървета по неправилен начин. Това може да предизвика нараняване и да причини повреди на комунални линии или имуществени щети.
- Операторът трябва да стои от горната страна на терена, тъй като е по-вероятно, след като бъде повалено, дървото да се изтърколи или плъзне надолу по склона.

(Фиг. 25 )

- Преди рязане планирайте и разчистете път за отдръпване. Пътят за отдръпване трябва да се простира назад и диагонално към задната част на очакваната траектория на падане.

(Фиг. 26 )

- Винаги спирайте двигателя, преди да местите продукта между дърветата.
- Уверете се, че сте стъпили здраво и балансирано, с равномерно разпределено тегло.

(Фиг. 27 )

- Винаги стъпвайте стабилно и работете с продукта само когато стоите на неподвижна, стабилна и равна повърхност. Хлъзгавите или нестабилни повърхности, като например стълби, могат да предизвикат загуба на баланс или контрол.

(Фиг. 28 )

### Откат, приплъзване, подскачане и пропадане

Различни сили може да въздействат на безопасната работа с продукта.

- **Приплъзване** е, когато водещата шина се пързала или се движи бързо по повърхността на дървото.
- **Подскачане** е, когато водещата шина отскача и се допира постоянно до повърхността на дървото.
- **Пропадане** е, когато продуктът падне надолу след среза. Вследствие на това е възможно веригата да докосне някоя част на тялото или друг предмет и да причини нараняване или повреди.
- **Откат** е, когато краят на водещата шина се допре до предмети и се движи назад, нагоре или внезапно напред. Откат може да възникне и когато дървесината се затвори по време на рязане, приклепвайки веригата на за моторен трион. Има възможност от загуба на контрол над продукта при контакт с предмет в дървесината.

(Фиг. 29 )

- **Въртелив откат** може да възникне, когато движещата се верига се допре до предмет в горния край на водещата шина. В този случай веригата може да се забие в предмета и веднага да спре. В резултат се получава светкавична обратна реакция, която отхвърля

водещата шина нагоре и назад по посока на оператора.

(Фиг. 30 )

(Фиг. 31 )

- **Откат при прищипване** може да възникне при внезапно спиране на веригата за моторен трион по време на рязане. Дървесината се затваря и прищипва движещата се верига за моторен трион по горната част на водещата шина. При внезапното спиране се получава противоположно въздействие върху силата на веригата, поради което продуктът се задвижва в обратна посока спрямо въртенето на веригата. Продуктът се връща назад към оператора.

(Фиг. 32 )

- **Придръпване** може да възникне, когато движещата се верига за моторен трион в долната част на водещата шина се допре до чуждо тяло и трионът спре внезапно. При внезапното спиране продукта се отдалечава от оператора в посока напред и надолу, което лесно може да доведе до загуба на контрол на продукта от страна на оператора.

(Фиг. 33 )

Преди работа с продукта се уверете, че сте добре запознати с различните сили и начините за предотвратяване на появата им.

### Предотвратяване на откат, приплъзване, подскачане и пропадане

- Докато двигателят работи, дръжте продукта здраво. Дръжте дясната си ръка върху задната ръкохватка, а лявата – на предната дръжка. Палците и останалите пръсти трябва здраво да обхващат дръжките. Не отслабвайте захвата.
- Контролирайте продукта както по време на среза, така и след като дървеният материал падне на земята. Не оставяйте тежестта на продукта да го притегли надолу след среза.(Фиг. 34 )
- Уверете се, че в зоната за рязане няма препятствия. При работа с продукта не позволявайте върхът на водещата шина да бъде в контакт с дънери, клони или други препятствия.
- Режете при високи обороти на двигателя.
- Не се пресягайте прекомерно и не режете над височината на раменния пояс.(Фиг. 35 )
- Спазвайте инструкциите на производителя за заточване и поддръжка на веригата за моторен трион.
- Използвайте само посочените от производителя резервни вериги за моторен трион и водещи шини.
- Рискът от откат нараства, ако мащабът на дълбочината се увеличи прекомерно.

## Лични предпазни средства

- Винаги използвайте правилните лични предпазни средства, когато работите с продукта. Личните предпазни средства не елиминират опасността от нараняване. Личните предпазни средства намаляват степента на нараняване при възникването на инцидент.
- Облеклото като цяло следва да е прилепнало до тялото, без това да ограничава движенията.
- Използвайте одобрена защитна каска.
- Винаги използвайте одобрени антифони, когато работите с продукта. Продължителният шум може да доведе до загуба на слуха.
- Използвайте защитни очила или лицева маска, за да намалите опасността от нараняване от изхвърлени предмети. Продуктът може да изхвърля предмети като стърготини, малки късчета дървесина и др. с голяма сила. Това може да доведе до сериозни наранявания, особено на очите.
- Използвайте ръкавици за защита от верижен трион.
- Използвайте панталони за защита от верижен трион.
- Използвайте ботуши с метални бомбета и противоплъзгащи подметки за защита от верижен трион.
- Уверете се, че близо до Вас има комплект за първа помощ.
- От ауслуха, шината, веригата за моторен трион или други източници може да изскочат искри. Винаги дръжте наблизо пожарогасително оборудване и лопата за предотвратяване на горски пожари.

## Устройствa за безопасност на продукта

- Уверете се, че редовно извършват техническо обслужване на продукта.
  - Срокът на експлоатация на продукта се увеличава.
  - Рискът от злополука намалява.

Позволете на одобрен дилър или одобрен сервизен център да извършва редовна проверка на продукта за корекции или ремонтни дейности.

- Не използвайте продукт с повредени предпазни средства. Ако продуктът е повреден, се консултирайте с одобрен сервизен център.

## Превключвател за спиране

Стартирайте двигателя. Уверете се, че двигателят спира, когато преместите превключвателя за спиране в стоп позиция.

## Проверка на блокировката на регулатора на газта

1. Когато освободите блокировката на спусъка (А) проверете дали регулаторът на газта (В) е заключен на празен ход. (Фиг. 36 )

2. Натиснете блокировката на спусъка на газта (А) и се уверете, че се връща в първоначалната позиция, когато я освободите.
3. Натиснете спусъка на газта (В) и се уверете, че се връща в първоначалната позиция, когато го освободите.
4. Включете двигателя и задайте пълни обороти.
5. Освободете спусъка и проверете дали веригата за моторен трион спира.
6. Ако веригата за моторен трион се движи при позиция на празен ход, проверете регулиращия винт на скоростта на празен ход на карбуратора.

## Предпазител

Предпазителят предотвратява изхвърлянето на предмети по посока на оператора. Предпазителят предотвратява и от неволно докосване между оператора и веригата за моторния трион.

- Уверете се, че предпазителят е разрешен за употреба с този продукт.
- Не използвайте продукта без предпазителя.
- Уверете се, че предпазителят не е повреден. Заменете предпазителя, ако е износен или напукан.

## Безопасност при работа с гориво

- Не включвайте продукта, ако върху него има гориво или моторно масло. Отстранете нежеланото гориво/масло и оставете продукта да изсъхне. Отстранете нежеланото гориво от продукта.
- Ако разлеете гориво по дрехите си, сменете ги незабавно.
- Внимавайте да не попадне гориво върху тялото Ви, това може да доведе до телесни увреждания. Ако гориво попадне върху тялото Ви, използвайте сапун и вода, за да го отстраните.
- Не стартирайте двигателя, ако разлеете масло или гориво върху продукта или тялото си.
- Не стартирайте продукта, ако от двигателя има теч. Проверявайте редовно двигателя за течове.
- Внимавайте с горивото. Горивото е запалимо, изпаренията са взривоопасни и могат да причинят телесни увреждания или смърт.
- Не виждайте горивните изпарения, това може да доведе до телесни увреждания. Уверете се, че има достатъчен въздушен поток.
- Не пушете близо до горивото или двигателя.
- Не поставяйте топли предмети близо до горивото или двигателя.
- Не добавяйте гориво, когато двигателят работи.
- Уверете се, че двигателят е изстинал преди зареждане с гориво.
- Преди зареждане с гориво отворете бавно капачката на резервоара за гориво и освободете внимателно налягането.

- Не добавяйте гориво към двигателя на закрито. Недостатъчният въздушен поток може да доведе до нараняване или смърт поради задушаване или въглероден окис.
- Затегнете внимателно капачката на резервоара за гориво или може да възникне пожар.
- Преди да включите двигателя, преместете продукта на най-малко 3 m (10 ft) от мястото, където сте заредили резервоара.
- Не препълвайте резервоара за гориво.
- Уверете се, че няма течове, когато местите продукта или резервоара за гориво.
- Не поставяйте продукта или резервоара за гориво на място, където има открит огън, искри или постоянна малка горелка. Уверете се, че в зоната за съхранение няма открит огън.
- При преместване или съхранение на гориво използвайте само одобрени за целта контейнери.
- Изпразнете резервоара за гориво преди дългосрочно съхранение. Спазвайте местните закони за това къде да изхвърляте горивото.
- Почистете продукта преди дългосрочно съхранение.
- Отстранете проводника на запалителната свещ, преди да оставите продукта за съхранение, за да се уверите, че двигателят няма случайно да се включи.
- Поддържайте дръжките сухи, чисти и незацапани от масло или горивна смес.
- Грижете се капачките и фиксаторите да са затегнати както трябва.
- Използването на неодобрени резервни части и отстраняването на приспособленията за безопасност е възможно да доведе до повреда на продукта. Възможно е също да възникне нараняване на оператора или странични лица. Използвайте принадлежности и резервни части само според препоръките. Не нанасяйте промени по продукта.
- За безопасна и висока производителност поддържайте веригата за моторен трион добре заточена и чиста.
- Следвайте инструкциите за смазване и смяна на принадлежностите.
- Проверете продукта за повредени части. Преди повторно използване на продукта уверете се, че повреденият предпазител или друга част работят нормално. Проверете за счупени или неправилно прилягащи части, както и за части, които не се движат свободно. Проверете и за други проблеми, които може да се отразят на работата с продукта. Уверете се, че продуктът е правилно монтиран. Предпазителят или друга повредена част трябва да бъдат поправени или сменени от одобрен дистрибутор, освен ако не е указано друго в инструкцията за експлоатация.
- Когато продуктът не е в употреба, съхранявайте го на сухо място, нависоко или под ключ, далече от деца.
- При пренасяне или складиране на продукта поставете капак на водещата шина или калъф за пренасяне.
- Не използвайте отработено масло. Отработеното масло може да е опасно за здравето Ви, да повреди продукта и да навреди на околната среда.

## Инструкции за безопасност при техническо обслужване

- Разкачете запалителната свещ преди техническото обслужване на продукта – това не важи за настройки на карбуратора.
- Ремоните трябва да се извършват само от одобрен дистрибутор, това не включва задачите в *ТЕХНИЧЕСКО ОБСЛУЖВАНЕ* на страница 34.
- Уверете се, че когато отпуснете регулатора на газта, веригата за моторен трион спира да се движи.

---

## МОНТАЖ

---



**ПРЕДУПРЕЖДЕНИЕ:** Прочетете и разберете главата с инструкции за безопасност, преди да монтирате продукта.

### Монтиране на водещата шина и веригата за моторен трион

1. Преместете аварийния лост по посока към предната дръжка, за да изключите верижната спиратка.
2. Сгънете регулатора навън до отворено положение. (Фиг. 37 )
3. Завъртете регулатора обратно на часовниковата стрелка, за да разхлабите капака на шината.(Фиг. 38 )
4. Отстранете регулатора (А) и капака на венеца. Отстранете защитата при транспортиране, ако е инсталирана. (Фиг. 39 )
5. Поставете водещата шина над болтовете на шината. Придвигнете водещата шина до най-задната ѝ позиция. Поставете веригата за моторен трион над задвижващия венец и я вкарвайте в жлеба на водещата шина. Започнете от горния край на водещата шина. (Фиг. 40 )
6. Уверете се, че ръбовете на режещите звена по горния край на направляващата шина сочат напред.

7. Монтирайте капака на венеца и придвижете регулиращата ос на веригата върху отвора на водещата шина. Уверете се, че кулисите предавки на веригата пасват правилно на задвижващия венец. Проверете също дали веригата за моторен трион е правилно поставена в жлеба на водещата шина. (Фиг. 41 )
8. Стегнете веригата за моторния триона, като въртите колелото надолу (+). Затягайте веригата до момента, когато тя не провисва от долната страна на шината. (Фиг. 42 )
9. Веригата е правилно затегната, когато не виси под водещата шина, но лесно се върти с ръка.
10. Дръжте върха на направляващата шина нагоре и въртете регулатора по посока на часовниковата стрелка, за да затегнете. (Фиг. 43 )
  - След като монтирате нова верига за моторен трион и докато я използвате, проверявайте често натягането на веригата.
  - Редовно проверявайте натягането на веригата. Правилното натягане на веригата води до добра ефективност на рязане и дълъг живот на продукта.

## Освобождаване на верижната спирачка

Ако капакът на съединителя е свален случайно, когато верижната спирачка е задействана,

верижната спирачка трябва да бъде освободена, така че капакът на съединителя да може да бъде поставен, без да се зацепи с барабана на съединителя.



**ВНИМАНИЕ:** Пружината на верижната спирачка е под напрежение. Бъдете внимателни, когато освобождавате верижната спирачка.

**Забележка:** Докато се опитвате да освободите спирачката, не дръжте спирачната лента.

1. Центрирайте изрезите на инструмента за шина така, че да пасват върху въртящата връзка на спирачката. (Фиг. 44 )
2. За да нулирате спирачката, завъртете връзката по часовниковата стрелка, докато спре. Когато верижната спирачка е освободена, предната връзка е в долно завъртяно положение. (Фиг. 45 ) (Фиг. 46 )

## РАБОТА



**ПРЕДУПРЕЖДЕНИЕ:** Прочетете и разберете раздела с инструкции за безопасност преди работа с продукта.

Бензин	Масло за двутактови двигатели
5 l	100 ml (3,4 oz)

## Използване на гориво



**ВНИМАНИЕ:** Този продукт разполага с двутактов двигател. Използвайте смес от бензин и моторно масло за двутактови двигатели. Не забравяйте да използвате правилното количество от масло в сместа. Грешното съотношение между бензин и масло може да доведе до повреда на двигателя.

## Приготвяне на горивната смес

1. Определете правилните количества бензин и моторно масло (съотношение в сместа 50:1). Не правете повече от 30-дневно количество от горивна смес. Вижте *Използване на гориво на страница 31*.
2. Прехвърлете половината от бензиновата смес в чист резервоар за гориво с клапан против разливане.

## Съотношение на горивната смес

Съотношението между бензина и масло за двутактови двигатели в горивната смес е 50:1 (2%)

Бензин	Масло за двутактови двигатели
1 американски галон	77 ml (2,6 oz)
1 имперски галон	95 ml (3,2 oz)



**ВНИМАНИЕ:** Не използвайте бензин с повече от 10% концентрация на етанол (Е10). Това може да повреди продукта.



**ВНИМАНИЕ:** Не използвайте бензин с октаново число по-малко от 90 RON (87 AKI). Това може да повреди продукта.

---

**Забележка:** Използвайте бензин с по-високо октаново число, ако често използвате продукта при постоянно високи обороти на двигателя.

---

3. Добавете цялото количество масло за двутактови двигатели в резервоара за гориво.



**ВНИМАНИЕ:** Винаги използвайте висококачествено масло за двутактови двигатели с въздушно охлаждане. Използването на други видове масло може да повреди продукта.

4. Разклатете горивната смес, за да смесите съдържанието.
5. Добавете останалото количество бензин в резервоара за гориво.
6. Разклатете горивната смес, за да смесите съдържанието.
7. Напълнете резервоара на продукта с горивната смес. Вижте *Използване на гориво на страница 31*.

### Пълнене на резервоара за гориво

1. Уверете се, че горивната смес е правилно приготвена, както и че се намира в резервоар за гориво с клапан против разливане.
2. Ако върху резервоара е попаднало гориво, почистете нежеланото гориво и оставете резервоара да изсъхне.
3. Уверете се, че зоната близо до капачката на резервоара за гориво е чиста.
4. Отстранете капачката на резервоара за гориво.
5. Разклатете резервоара за гориво, преди да добавите горивната смес към резервоара за гориво.
6. Поставете отново капачката на резервоара за гориво.

### Смазване на веригата за моторен трион

Продуктът разполага с автоматична смазочна система. Резервоарът за верижно масло и резервоарът за гориво са проектирани така, че горивото свършва преди маслото. Тази функция за безопасност изисква употреба на подходящо верижно масло и спазване на инструкциите.

1. Използвайте растително или стандартно верижно масло.
2. Уверете се, че зоната близо до капачката на резервоара за верижно масло е чиста.
3. Отстранете капачката на резервоара за верижно масло.
4. Напълнете резервоара за верижно масло с препоръчаното верижно масло.
5. Поставете отново капачката на резервоара за верижно масло.

## За стартиране и спиране

### Преди включване на двигателя

- Проверете продукта за липсващи, повредени, разхлабени или износени части.
- Проверете гайките, винтовете и болтовете.
- Проверете въздушния филтър.
- Проверете блокировката на спусъка на газта и самият спусък за правилна работа.
- Проверете превключвателя за спиране за правилна работа.
- Проверете продукта за теч на гориво.
- Проверете остротата и натягането на веригата за моторен триона.

### Включване при студен двигател

1. Придвигнете аварийния лост напред, за да задействате верижната спирачка. (Фиг. 47 )
2. Натиснете подкачващата помпа 6 пъти. (Фиг. 48 )
3. Придвигнете смукача в положение "задействан смукач". (Фиг. 49 )
4. Дръжте корпуса на продукта на земята с лявата си ръка. Поставете десния си крак в задната ръкохватка, за да стабилизирате верижния трион. Издърпайте бавно дръжката на въжето на стартера, докато усетите известно съпротивление. След това дръпнете силно дръжката на стартерното въже 5 пъти. (Фиг. 50 )

---

**Забележка:** Не натискайте спусъка на газта, докато включвате двигателя.

5. Преместете смукача на положение "незадействан смукач".
6. Издърпайте дръжката на въжето за стартиране, докато двигателят запали. След включването изчакайте 60 секунди, преди да натиснете спусъка на газта.



**ВНИМАНИЕ:** Не дърпайте въжето за стартиране, докато не спре. Не пускайте въжето за стартиране, когато е разтегнато докрай. Освободете бавно въжето на стартера. Спазвайте тези инструкции, за да предотвратите повреда на двигателя.

7. Дръпнете аварийния лост към предната дръжка, за да изключите верижната спирачка.
8. Хванете задната ръкохватка с дясната ръка, а предната дръжка – с лявата ръка.
9. Използване на продукта.

### Включване при топъл двигател

1. Придвигнете аварийния лост напред, за да задействате верижната спирачка.
2. Натиснете подкачващата помпа 6 пъти.



3. Придвигнете смукача в положение "задействан смукач".
4. Преместете смукача на положение "незадействан смукач".
5. Дръжте корпуса на продукта на земята с лявата си ръка. Поставете десния си крак в задната ръкохватка, за да стабилизирате верижния трион. Издърпайте бавно дръжката на въжето на стартера, докато усетите известно съпротивление. Дръпнете силно дръжката на стартерното въже, докато двигателят запали. (Фиг. 51)

**Забележка:** Не натискайте спусъка на газта, докато включвате двигателя.



**ВНИМАНИЕ:** Не дърпайте въжето за стартиране, докато не спре. Не пускайте въжето за стартиране, когато е разтегнато докрай. Освободете бавно въжето на стартера. Спазвайте тези инструкции, за да предотвратите повреда на двигателя.

6. Дръпнете аварийния лост към предната дръжка, за да изключите верижната спирачка.
7. Хванете задната ръкохватка с дясната ръка, а предната дръжка – с лявата ръка.
8. Използване на продукта.

### Включване на двигателя при прекомерно загрято гориво

Когато продуктът не се включва, е възможно горивото да е твърде загрято.

**Забележка:** Винаги използвайте неупотребявано гориво, а при топло време намалете продължителността на работа.

1. Поставете продукта на хладно място, далече от пряка слънчева светлина.
2. Оставете продукта за поне 20 минути, за да се охлади.
3. Натиснете подкачващата помпа няколко пъти в продължение на 10 – 15 секунди.
4. Следвайте процедурата за включване при студен двигател. Вижте *Включване при студен двигател на страница 32*.

### За да спрете двигателя

- Натиснете превключвателя за спиране, за да спрете двигателя.

**Забележка:** Превключвателят за спиране автоматично се връща в първоначалното положение.

## Използване на буферен шип

Буферният шип предпазва от откат и придържа продукта към дървото по време на рязане. Буферният шип е опорна точка, разположена между тялото на двигателя и водещата шина.

1. Нагласете долния край на буферния шип на правилната ширина на пантата на среза.
2. Натиснете предната дръжка с лявата ръка, повдигайки същевременно задната ръкохватка с дясната ръка.
3. Режете, докато се получи правилната ширина на пантата на среза.

**Забележка:** Двете страни на пантата трябва да са еднакво дълбоки.

4. Режете повече от половината на диаметъра и след това поставете клина за поваляне.

## Поваляне на дърво

1. Отстранете мръсотия, камъни, отделена кора, гвоздеи, скоби и проводници от дървото.
2. Прорежете около 1/3 от диаметъра на дървото, перпендикулярно на посоката на поваляне. (Фиг. 52)
3. Направете долния хоризонтален срез. Това предотвратява заклещване на веригата на моторния трион или водещата шина по време на втория срез.
4. Направете обратния повалящ срез (X) най-малко 50 mm (2 in) по-високо от хоризонталния срез. Обратният повалящ срез трябва да се направи успоредно на хоризонталния срез, така че да остава достатъчна част от дървото като панта. Не прорязвайте през пантата. Функцията на пантата е да предотврати завъртането и падането на дървото в неправилна посока. (Фиг. 53) (Фиг. 54)
5. Когато обратният повалящ срез достигне близо до пантата, дървото започва да пада. Уверете се, че дървото може да падне в правилната посока и че няма да се заклати в обратна посока и да приклепти веригата за моторен трион. За да предотвратите това, спрете преди напълно да завършите обратния повалящ срез. Използвайте дървени, пластмасови или алуминиеви клинове за разширяване на среза и поваляне на дървото в предвидената посока. (Фиг. 55)
6. Когато дървото започне да пада, извадете машината от разреза, спрете двигателя, оставете продукта и се оттеглете по предвидената пътека. Внимавайте за падащи клони и гледайте къде стъпвате. (Фиг. 56)

## Кастрене на клони

1. Оставете по-големите клони, за да поддържат дървото над земята.

2. Малките клони се отстраняват с един срез.(Фиг. 57 )
3. Режете от долу нагоре клоните, които са под напрежение, за да избегнете приклещване на веригата на триона или водещата шина.

## Разтрूपване на дървото



**ВНИМАНИЕ:** Не позволявайте на веригата за моторен трион да докосва земята.

- Ако дървото се поддържа над земята по цялата му дължина, започнете да режете от горната част надолу (т.нар. надразтрूपване).(Фиг. 58 )

- При опорна точка само в единия край на дървото прорежете 1/3 от диаметъра на дървото, започвайки от долната част нагоре (т.нар. подразтрूपване).(Фиг. 59 )
- При опорни точки в двата края на дървото прорежете 1/3 от диаметъра, започвайки отгоре надолу. Завършете среза, като прорежете останалите 2/3 от дървото от долу нагоре, докато достигнете първоначалния срез.(Фиг. 60 )
- Когато разтрूपвате на склон, винаги стойте в горната част на терена над дървото. Режете през ствола, като запазвате пълен контрол върху продукта, към края на среза освободете натиска на рязане, като държите здраво задната ръкохватка и предната дръжка.(Фиг. 61 )

## ТЕХНИЧЕСКО ОБСЛУЖВАНЕ



**ПРЕДУПРЕЖДЕНИЕ:** Прочетете и разберете раздела с инструкции за безопасност преди почистване, ремонтване или техническо обслужване на продукта.

- пукнатини в нитовете и звената.
- ненормално износени нитове и звена.
- правилно натягане.

Подменете веригата за моторен трион, ако е необходимо.

- Заточете веригата за моторен триона. Вижте *Заточване на веригата за моторен трион на страница 36*.
- Проверете задвижващия венец за прекомерно износване и го подменете, ако се налага.

(Фиг. 66 )

- Почистете смукателния въздухопровод на стартерния блок.
- Уверете се, че всички гайки и винтове са затегнати.
- Уверете се, че изключателят работи нормално.
- Проверете за течове на гориво от двигателя, резервоара или горивопроводите.
- Уверете се, че веригата за моторен трион не се върти, когато двигателят работи на празен ход.

### Седмично техническо обслужване

- Уверете се, че системата за охлаждане работи нормално.
- Уверете се, че стартерът, шнурът му и възвратната пружина работят правилно.
- Уверете се, че антивибрационните елементи не са повредени.

(Фиг. 67 )

- Изпилете всички неравности по ръбовете на водещата шина.
- Почистете или сменете искрогасителния екран на ауспуха.

(Фиг. 68 )

- Почистете външните повърхности на карбуратора и зоните около него.
- Почистете въздушния филтър. Ако е повреден или прекалено мръсен, поставете нов въздушен

### График за техническо обслужване

Уверете се, че спазвате графика за техническо обслужване. Интервалите са изчислени в зависимост от ежедневната употреба на продукта. Интервалите са различни, ако не използвате продукта всеки ден. Извършвайте само дейностите по техническо обслужване, описани в това ръководство за експлоатация. Говорете с одобрен сервизен център относно други дейности по техническо обслужване, които не са описани в това ръководство.

### Всекидневно обслужване

- Почистете външните повърхности.
- Уверете се, че спусъкът на газта и блокировката му работят правилно.
- Почистете верижната спирачка и проверете дали работи правилно.

(Фиг. 62 )

- Проверете уловителя на веригата за повреда. Сменете уловителя на веригата, ако е повреден.

(Фиг. 63 )

- Обръщайте водещата шина всеки ден, така че да се износва по-равномерно.
- Уверете се, че отворът за смазване във водещата шина не е задръстен.

(Фиг. 64 )

- Почистете жлеба на водещата шина.

(Фиг. 65 )

- Уверете се, че водещата шина и веригата за моторен трион са достатъчно добре смазани.
- Проверете веригата за моторен трион за:

филтър. Вижте *Почистване на въздушния филтър на страница 35* за допълнителна информация.

## Месечно техническо обслужване

- Проверете за износване на спирачната лента на верижната спирачка. Сменете спирачната лента, когато дебелината ѝ в най-износената точка е по-малка от 0,6 mm (0,024 in).

(Фиг. 69 )

- Проверете за износване центъра на съединителя, барабана и пружината му.
- Почистете запалителната свещ. Уверете се, че разстоянието между електродите е правилно.

(Фиг. 70 )

- Почистете външните повърхности на карбуратора и зоните около него.
- Проверете горивния филтър и маркуча за гориво. При необходимост подменете.
- Изпразнете резервоара за гориво.
- Изпразнете резервоара за масло.
- Проверете всички кабели и връзки.

## Ежегодно обслужване

- Проверете запалителната свещ.
- Почистете външните повърхности на карбуратора и зоните около него.
- Почистете системата за охлаждане.
- Проверете искрогасителната мрежа.
- Проверете горивния филтър.
- Проверете маркуча за горивото за повреда.
- Проверете всички кабели и връзки.

## Периодично обслужване

- Ремонтът или смяната на ауспуха след 50 часа работа трябва да се извършат от одобрен сервизен център.
- Техническо обслужване на запалителната свещ е необходимо, когато:
  - двигателят работи с понижена мощност.
  - двигателят се включва трудно.
  - двигателят не работи правилно на обороти на празния ход.
- Проверявайте смазването на веригата на триона при всяко зареждане с гориво. Вижте [#unique\\_113/unique\\_113\\_Connect\\_42](#).

## Регулиране на оборотите на празния ход

Уверете се, че въздушният филтър е чист и капакът на въздушния филтър е закрепен, преди да регулирате оборотите на празния ход.

1. Завъртете регулиращия винт, означен със знака "T", по часовниковата стрелка, докато веригата на триона започне да се върти.
2. Завъртете регулиращия винт, означен със знака "T", обратно на часовниковата стрелка, докато веригата на триона спре да се върти.
3. Оборотите на празния ход трябва да бъдат пониски от оборотите, при които веригата на триона започва да се върти. Оборотите на празния ход са правилни, когато двигателят работи плавно във всяко положение.

## Почистване на искрогасителния екран

1. Използвайте телена четка за почистване на искрогасителния екран.

## Техническо обслужване на запалителната свещ



**ВНИМАНИЕ:** Използвайте препоръчаната запалителна свещ. Уверете се, че резервната част е същата като предоставената от производителя част. Използването на запалителна свещ от неправилен тип може да повреди продукта.

1. Ако не можете лесно да включите или да работите с продукта, проверете запалителната свещ за нежелани материали. За да намалите опасността от нежелани материали върху електродите на запалителната свещ:
  - a) уверете се, че оборотите на празния ход са правилно регулирани.
  - b) уверете се, че горивната смес е правилна.
  - c) уверете се, че въздушният филтър е чист.
2. Почистете запалителната свещ, ако е замърсена. Уверете се, че разстоянието между електродите е правилно. (Фиг. 71 )
3. Подменете запалителната свещ, когато е необходимо.

## Почистване на въздушния филтър

1. Свалете капака на въздушния филтър и самия въздушен филтър.
2. Почистете въздушния филтър с топла сапунена вода. Уверете се, че въздушният филтър е сух, преди да го монтирате.
3. Сменете въздушния филтър, ако е прекалено замърсен за пълно почистване. Винаги заменяйте повреден въздушен филтър.

## Заточване на веригата за моторен трион

### Резец

Режещата част на веригата за моторен трион се нарича резец и се състои от режещ зъб (А) и мащаб на дълбочина (В). Дълбочината на рязане на резците се определя от разликата във височината между двете, настройката за мащаб на дълбочина (С).

(Фиг. 72 )

Когато заточвате даден режещ зъб, трябва да имате предвид четири важни фактора:

- Ъгъл на заточване.

(Фиг. 73 )

- Ъгъл на рязане.

(Фиг. 74 )

- Положение на пилата.

(Фиг. 75 )

- Диаметър на кръглата пила.

(Фиг. 76 )

### Заточване на режещите зъби

За заточване на режещите зъби използвайте кръгла пила и шаблон за чапразене. Вижте *Заточване и комбинации от вериги за моторен трион на страница 39* за информация относно препоръчителните размери на пилата и шаблона за веригата на вашия продукт.

1. Уверете се, че веригата за моторен трион е правилно натегната. Ако верига е провиснала, тя е странично нестабилна, което затруднява правилното наточване.</fc>
2. Първо, заточете всички зъби от една страна. Пилете режещите зъби от вътрешната страна и намалявайте натиска при връщане на пилата в обратна посока.
3. Завъртете продукта и изпилете зъбите от другата страна.
4. Изпилете всички зъби до същата дължина. Когато дължината на режещите зъби се намали до 4 mm (5/32"), веригата за моторния трион е износена и трябва да се смени.(Фиг. 77 )

### Регулиране на мащаба на дълбочината

Заточете режещите зъби, преди да регулирате настройката за мащаб на дълбочина. Вижте *Заточване на режещите зъби на страница 36*. Когато заточвате режещия зъб (А), настройката за мащаб на дълбочина (С) намалява. За да поддържате оптимална ефективност на рязане, мащабът на дълбочина (В) трябва да се изпиле до препоръчаната настройка за мащаб на дълбочината. Вижте *Заточване и комбинации от*

*вериги за моторен трион на страница 39*, за да откриете правилната настройка за мащаб на дълбочина за Вашата верига.

(Фиг. 78 )

(Фиг. 79 )

---

**Забележка:** Тази препоръка предполага, че дължината на режещите зъби не е прекалено намалена.</el "Listitem"></fc>

---

Използвайте плоска пила и инструмент за измерване на дълбочина, за да настроите мащаба на дълбочината.

1. Поставете инструмента за измерване на дълбочината над веригата за моторен трион. Подробна информация за начина на използване на инструмента за измерване на дълбочина може да се намери върху опаковката му.
2. Използвайте плоската пила, за да изпилите излишъка от стърчащата част на ръба на ограничителя на подаване. Хлабината на ограничителя на подаване е правилна когато вече не усещате никакво съпротивление докато прекарвате пилата върху калибровката.

### Натягане на веригата за моторен трион

---

**Забележка:** Проверявайте често натягането на нова верига за моторен трион по време на периода на разработване.

---

1. Разхлабете гайките на водещата шина, които държат капака на венеца. Използвайте комбинирания гаечен ключ. (Фиг. 80 )
2. Затегнете гайките с ръка, колкото можете по-силно.
3. Повдигнете върха на водещата шина и обтегнете веригата за моторен трион чрез винта за натягане на веригата. Използвайте комбинирания гаечен ключ. Затегнете веригата на моторния трион, докато спре да виси от долната страна на водещата шина. (Фиг. 81 )
4. Затегнете гайките на водещата шина с помощта на комбинирания гаечен ключ и същевременно повдигнете върха на водещата шина. (Фиг. 82 )
5. Уверете се, че веригата за моторен трион лесно се издърпва с ръка и че не провисва.(Фиг. 83 )

### Смазване на режещото оборудване

#### Проверка на смазването на веригата

Проверявайте смазването на верижния трион при всяко зареждане с гориво.

1. Включете продукта и го оставете да работи на 3/4 от скоростта. Насочете върха на водещата шина към светло оцветена повърхност, намираща се на около 20 cm (8 in).
2. След работа в продължение на 1 минута върху светлата повърхност се появява линия от масло.

3. Ако тази линия не се появи след изтичането на 1 минута, почистете канала на маслото във водещата шина. Почистете жлеба в края на водещата шина. Уверете се, че звездчката на водещата шина се върти свободно и че смазочното отворище не е задръстено. Почистете и смажете звездчката.
4. Включете продукта и го оставете да работи на 3/4 от скоростта. Насочете върха на шината към светло оцветена повърхност, намираща се на около 20 cm (8 in).
5. След работа в продължение на 1 минута върху светлата повърхност се появява линия от масло.
6. Ако тази линия не се появи след изтичането на 1 минута, свържете се с Вашия одобрен дистрибутор.

## ТРАНСПОРТИРАНЕ

- Изпразнете резервоарите за гориво и верижно масло преди транспортиране. Изхвърлете отработените течности по правилния начин.
- При транспортиране поставете капака на водещата шина върху режещото оборудване. Това предотвратява случайното докосване на лицата до острата верига за моторен триона. Дори и когато трионът не работи, острата верига за моторен трион може да нарани Вас или други лица при докосване.
- Свалете лулата на запалителната свещ от свещта и включете верижната спирачка преди транспортиране.
- Уверете се, че по време на транспортиране продуктът ще бъде неподвижен.

## СЪХРАНЕНИЕ

- Винаги съхранявайте продукта на сигурно място, когато не го използвате. Течове или изпарения от продукта могат да влязат в контакт с искри, открит огън от електрическо оборудване, електрически косачки, релета/превключватели, бойлери и др.
- Винаги съхранявайте горивото в одобрен за целта резервоар.
- Изпразнете резервоарите за гориво и верижно масло, когато продуктът ще бъде складиран за по-дълъг период от време. Изхвърлете отработените течности по правилния начин.
- При съхранение поставете капака на водещата шина върху нея. Това предотвратява случайното докосване на трети лица до острата верига за моторен трион. Дори и когато трионът не работи, острата верига за моторен трион може сериозно да нарани Вас или други лица при докосване.
- Свалете лулата на запалителната свещ от свещта и включете верижната спирачка преди съхранение.

## ТЕХНИЧЕСКИ ХАРАКТЕРИСТИКИ

	единица	120 Mark II (P02138HV)
<b>Спецификации на двигателя</b>		
Обем на цилиндъра	cm <sup>3</sup>	38
Запалителна свещ		Champion RCJ7Y
Разстояние между електродите	mm (in)	0,5 (0,02)
Обем на резервоара за гориво	cm <sup>3</sup>	300
Обороти на празен ход	min <sup>-1</sup>	2800 – 3200
Изходна мощност при 9000 min <sup>-1</sup>	kW	1,4
Период на продължителност на емисиите	h	50
<b>Данни за шум и вибрации</b>		

	единица	120 Mark II (P02138HV)
Еквивалентни нива на вибрации, $h_{veq}$ на предна дръжка <sup>6</sup>	m/s <sup>2</sup>	4,5
Еквивалентни нива на вибрации, $h_{veq}$ на задна ръкохватка <sup>7</sup>	m/s <sup>2</sup>	6,0
Ниво на звуковата мощност, гарантирано ( $L_{WA}$ ) <sup>8</sup>	dB(A)	116
Ниво на звуковата мощност, измерено <sup>9</sup>	dB(A)	110
Ниво на звуковото налягане при ухото на оператора <sup>10</sup>	dB(A)	95
<b>Размери на продукта</b>		
Тегло (без режещо оборудване)	kg	4,9
Обем на резервоара за масло	cm <sup>3</sup>	200
<b>Горивна и смазочна система</b>		
Вместимост на маслената помпа при 9000 min <sup>-1</sup>	ml/min	7
Обем на резервоара за масло	cm <sup>3</sup>	200
Тип на маслената помпа		Автоматична
<b>Верига за моторен трион и водеща шина</b>		
Стандартна дължина на водещата шина	cm (in)	35-40 (14-16)
Препоръчвани дължини на листа	cm (in)	35 – 45 (14 – 18)
Полезна дължина на рязане	cm (in)	34 – 39 (13,5 – 15,5)
Максимални обороти на веригата за моторен триона	m/s	22,3
Верижна стъпка на триона	mm (in)	8,3 (0.325) 9,52 (3/8)
Дебелина на кулисните предавки (калибровка)	mm (in)	1,3 (0,05)
Тип на задвижващия венец		Заварен
Брой на зъбците на задвижващия венец		6 (задвижващия венец 3/8) 7 (задвижващия венец 0,325)

<sup>6</sup> Еквивалентното ниво на вибрациите според стандарта ISO 22867 се определя като времесьобразена сума на енергия за нивата на вибрациите при различни условия на работа. Отчетените данни за еквивалентното ниво на вибрациите имат типична статистическа дисперсия (стандартно отклонение) от 1 m/s<sup>2</sup>.

<sup>7</sup> Еквивалентното ниво на вибрациите според стандарта ISO 22867 се определя като времесьобразена сума на енергия за нивата на вибрациите при различни условия на работа. Отчетените данни за еквивалентното ниво на вибрациите имат типична статистическа дисперсия (стандартно отклонение) от 1 m/s<sup>2</sup>.

<sup>8</sup> Шумови емисии в околната среда, измерени като звукова мощност ( $L_{WA}$ ).

<sup>9</sup> Шумови емисии в околната среда, измерени като звукова мощност ( $L_{WA}$ ).

<sup>10</sup> Еквивалентното ниво на звуковото налягане се измерва като времесьобразена сума на енергията на различни нива на звуковото налягане при различни условия на работа. Типичната статистическа дисперсия за еквивалентно ниво на звуковото налягане е със стандартно отклонение от 1 dB(A).

## ПРИНАДЛЕЖНОСТИ

### Комбинации от водещи шини и вериги за моторен трион

Режещото оборудване по-долу е одобрено за продукта.

Водеща шина				Верига за моторен трион	
Дължина, cm (in)	Стъпка, mm (in)	Калибровка, mm (in)	Максимален радиус на върха	Тип	Брой на кулиските предавки
33 (13)	8,25 (0 325)	1,3 (0 050)	10T	Husqvarna H30	56
38 (15)	8,25 (0 325)				64
35 (14)	9,52 (3/8)		7T	Husqvarna H37	52
40 (16)	9,52 (3/8)				56
45 (18)	9,52 (3/8)				62

### Заточване и комбинации от вериги за моторен трион

Верига за моторен трион					
Тип на веригата	Размер на кръглата пила	Ъгъл на страничната пластина	Ъгъл на горната пластина	Ъгъл на пилодържателя	Настройка на мащаба на дълбочината
H30	3/16 in/4,8 mm	60°	30°	10°	0,025 in/0,65 mm
H37	5/32 in/4,0 mm	60°	30°	0°	0,025 in/0,65 mm

## СЪДЪРЖАНИЕ НА ДЕКЛАРАЦИЯТА ЗА СЪОТВЕТСТВИЕ НА ЕС

Ние, Husqvarna AB, SE 561 82 Huskvarna, ШВЕЦИЯ, декларираме на своя собствена отговорност, че представеният продукт:

отговаря напълно на следните директиви и регламенти на ЕС:

Описание	Бензинов верижен трион
Марка	Husqvarna
Платформа/вид/модел	Платформа P02138HV, представяща модел 120 Mark II
Партида	Сериен номер, датиращ от 2018 г. и след това

Директива/регламент	Описание
2006/42/EO	"относно машините"
2014/30/EC	"относно електромагнитната съвместимост"
2000/14/EO	"относно шумовите емисии в околната среда"

Приложените хармонизирани стандарти и/или технически спецификации са следните: EN ISO 12100, EN ISO 11681-1, CISPR 12, ISO 14982

В съответствие с Директива 2000/14/ЕО, приложение V, декларираните стойности на звука са посочени в раздела с технически характеристики на настоящето ръководство и в подписаната Декларация за съответствие на ЕО.

TÜV Rheinland LGA Products GmbH, нотифициран орган за машинно оборудване (нотифициран под номер 0197), Tillystraße 2 – 90431 Nürnberg, Германия, е извършила ЕО типово изследване в съответствие с 2006/42/ЕО, член 12, точка 3b.

Сертификатът за типово изследване съгласно приложение IX, както е предвиден в подписаната Декларация за съответствие, се прилага за всички места на производство и държави на произход, както е посочено на продукта.

Доставеният верижен трион съответства на екземпляра, преминал през ЕО типово изследване.



---

## Sadržaj

---

UVOD.....	41	TRANSPORT.....	51
SIGURNOST.....	42	SKLADIŠTENJE.....	51
SASTAVLJANJE.....	46	TEHNIČKI PODACI.....	52
RAD.....	46	PRIBOR.....	53
ODRŽAVANJE.....	49	SADRŽAJ DEKLARACIJE EC O USKLAĐENOSTI.....	54

---

## UVOD

---

### Priručnik za rad

Inicijalni jezik priručnika za rad je engleski. Priručnici za rad na drugim jezicima su prijevodi s engleskog.

### Pregled

(Sl. 1 )

1. Proizvod i pločica sa serijskim brojem
2. Blokada prekidača
3. Prednja ručka
4. Poklopac cilindra
5. Kočnica lanca i prednji štitić za ruke
6. Auspuh
7. Šiljasti odbojnik
8. Zupčanik vodilice
9. Desni štitić za ruke
10. prekidač
11. Poklopac lančanika
12. Hvatač lanca
13. Vodilica
14. Lanac pile
15. Ručka konopa za paljenje
16. Spremnika za ulje za lanac
17. Starter
18. Rezervoar za gorivo
19. Ručica za čok
20. Zadnja drška
21. Prekidač za zaustavljanje
22. Zavrtanj za podešavanje rada u praznom hodu
23. Pumpica
24. Informacije i naljepnica s upozorenjem
25. Vijak za zatezanje lanca
26. Poklopac vodilice
27. Kombinirani alat
28. Ulje za dvotaktni motore
29. Priručniku za upotrebu (EPA)

### Simboli na proizvodu

- (Sl. 2 ) Upozorenje
- (Sl. 3 ) Pročitajte ovaj priručnik

- (Sl. 4 ) Koristite odobrenu zaštitu za glavu, sluh i oči
- (Sl. 5 ) Koristite odobrene zaštitne rukavice
- Proizvod je usklađen s važećim direktivama EZ.
- (Sl. 6 )
- (Sl. 7 ) Nivo jačine zvuka
- Kočnica lanca, nije uključena (lijevo).  
Kočnica lanca, uključena (desno).
- (Sl. 8 )
- (Sl. 9 ) Ručica za čok
- (Sl. 10 ) Pumpica
- (Sl. 11 ) Ponovno punjenje goriva
- (Sl. 12 ) Nadolijevanje ulja za lanac
- Ovaj proizvod je usklađen s važećim EAC direktivama
- (Sl. 13 )
- Ovaj proizvod je usklađen s važećim direktivama Ukrajine.
- (Sl. 14 )
- (Sl. 15 ) Nivo buke
- (Sl. 16 ) Držite proizvod propisno s obje ruke
- (Sl. 17 ) Nemojte ga koristiti s jenom rukom
- (Sl. 18 ) Izbjegavajte kontakt s vrhom vodilice
- (Sl. 19 ) Budite oprezni zbog povratnog trzaja
- Ovaj proizvod je usklađen s važećim direktivama o elektromagnetnoj kompatibilnosti za područje Australije i Novog Zelanda.
- (Sl. 20 )

---

**Napomena:** Drugi simboli/naljepnice na proizvodu odnose se na zahtjeve certifikacije za druga komercijalna područja.

---

## Odgovornost za proizvod

Kao što je navedeno u zakonima o odgovornosti za proizvod, mi nismo odgovorni za oštećenja koja uzrokuju naš proizvod ako:

- je proizvod pogrešno popravljen.
- je proizvod popravljen koristeći dijelove koji nisu od proizvođača ili koji nisu odobreni od strane proizvođača.

- proizvod ima dodatnu opremu koju nije napravio proizvođač ili koju proizvođač ne odobrava.
- proizvod nije popravljen u nekom od odobrenih servisa ili od strane odobrenog tijela.

---

## SIGURNOST

---

### Definicija sigurnosti

Definicije u nastavku daju stepen ozbiljnosti za svaku signalnu riječ.



**UPOZORENJE:** Ozljede kod osoba.



**OPREZ:** Oštećenje na proizvodu.

**Napomena:** Ove informacije čine proizvod lakšim za korištenje.

### Opća sigurnosna uputstva

- Koristite proizvod na pravilan način. Povreda ili smrt je moguć ishod nepravilnog korištenja. Proizvod koristite samo za poslove koji su navedeni u ovom priručniku. Nemojte koristiti proizvod za druge poslove.
- Pročitajte i proučite upute u ovom priručniku i pridržavajte ih se. Poštujte sigurnosne simbole i sigurnosna uputstva. Ako operater ne poštuje uputstva i simbole, povreda, oštećenje ili smrt su mogući ishodi.
- Nemojte bacati ovaj priručnik. Koristite uputstva da sastavite, rukujete i održavate svoj proizvod u dobrom stanju. Koristite uputstva da biste pravilno ugradili priključke i dodatke. Koristite samo odobrene priključke i dodatke.
- Nemojte koristiti oštećen proizvod. Poštujte raspored održavanja. Obavljajte samo one radove na održavanju za koje pronađete uputstva u ovom priručniku. Sve druge radove na održavanju mora obavljati ovlašten servisni centar.
- Ovaj priručnik ne može uključivati sve situacije koje se mogu desiti kada koristite proizvod. Budite oprezni i koristite svoj zdrav razum. Nemojte rukovati proizvodom ili obavljati radove na održavanju proizvoda ako niste sigurni u vezi situacije. Za informacije se obratite stručnjaku za proizvod, svom trgovcu, servisnom zastupniku ili ovlaštenom servisnom centru.

- Isključite kabl svjeće prije nego što sastavite proizvod, odložite proizvod na skladište ili prije radova na održavanju.
- Nemojte koristiti proizvod ako je promijenjen od svoje inicijalne specifikacije. Nemojte mijenjati dio proizvoda bez odobrenja od proizvođača. Koristite samo dijelove koji su odobreni od strane proizvođača. Povreda ili smrt je moguć ishod nepravilnog održavanja.
- Nemojte udisati pare iz motora. Udisanje izduvnih plinova iz motora, izmaglice ulja za lanac i piljevine tokom dužeg perioda može biti opasno po zdravlje.
- Nemojte pokretati proizvod u zatvorenom prostoru ili u blizini zapaljivih materijala. Ispušne pare su vruće i u njima može biti iskri koje mogu izazvati požar. Ako nema dovoljno protoka zraka, to za posljedicu može imati povredu ili smrt uslijed gušenja ili ugljen monoksida.
- Ovaj proizvod stvara elektromagnetno polje tokom rada. Elektromagnetno polje može izazvati oštećenje na medicinskim implantatima. Porazgovarajte s ljekarom i proizvođačem medicinskog implantata prije rada s proizvodom.
- Nemojte dopustiti da dijete rukuje proizvodom.
- Nemojte dopustiti osobi bez znanja o uputstvima da rukuje proizvodom.
- Uvijek nadgledajte osobu sa smanjenim fizičkim kapacitetom ili mentalnim sposobnostima kada koristi proizvod. Odgovorna osoba mora biti prisutna cijelo vrijeme.
- Zaključajte proizvod u području koje nije pristupačno djeci i ovlaštenim osobama.
- Proizvod može izbaciti predmete i izazvati povrede. Poštujte sigurnosna uputstva da biste smanjili opasnost od povrede ili smrti.
- Nemojte napuštati proizvod dok je motor uključen. Zaustavite motor i pazite da se lanac ne okreće.
- Rukovalac proizvodom je odgovoran ako dođe do nezgode.
- Prije korištenja proizvoda, uvjerite se da dijelovi nisu oštećeni.
- Pogledajte državne ili lokalne zakone. Oni mogu spriječiti ili smanjiti rad proizvoda u nekim uslovima.

## Sigurnosna uputstva za rad

- Neprekidnim i redovnim korištenjem ovog proizvoda mogu nastati "bijeli prsti" ili slični zdravstveni problemi uzrokovani vibracijama. Ukoliko neprekidno ili redovno koristite ovaj proizvod pregledajte stanje šaka i prstiju. Ukoliko na šakama ili prstima primjetite bijedilo, osjetite bolove, trnce ili trnjenje, prestanite raditi i odmah se obratite ljekaru.
- Uvjerite se da je proizvod u potpunosti sastavljen prije korištenja istog.
- Proizvod može uzrokovati izbacivanje predmeta, što može izazvati povrede očiju. Uvijek koristite odobrenu zaštitu za oči kada rukujete proizvodom.
- Budite oprezni, dijete može doći u blizinu proizvoda bez vašeg znanja tokom rada.
- Nemojte rukovati proizvodom ako se u radnom području nalaze osobe. Zaustavite proizvod ako osoba uđe u radno područje.

### (Sl. 21 )

- Uvjerite se da uvijek imate kontrolu nad proizvodom.
- Proizvodom se mora rukovati s dvije ruke. Nemojte rukovati proizvodom samo jednom rukom. Može doći do teških povreda operatora, radnika, posmatrača ili svih zajedno ako se rad obavlja samo jednom rukom.
- Držite prednju ručicu svojom lijevom rukom, a stražnju ručicu držite svojom desnom rukom. Proizvod držite s desne strane svog tijela.

### (Sl. 22 )

- Nemojte koristiti proizvod kada ste umorni, bolesni ili pod utjecajem alkohola ili drugih droga/lijekova.
- Nemojte koristiti proizvod ako ne možete primiti pomoć u slučaju da se dogodi nezgoda. Prije nego što pokrenete proizvod, upozorite ostale da ćete ga koristiti.
- Nemojte se okretati s proizvodom prije nego što se uvjerite da nema osoba ili životinja u sigurnosnom području.
- Uklonite sve neželjene materijale iz radnog područja prije nego počnete s radom. Ako lanac udari u neki predmet, taj predmet se može izbaciti iz proizvoda i izazvati povredu ili oštećenje. Neželjeni materijal se može okretati oko lanca i izazvati oštećenje.
- Nemojte koristiti proizvod pod lošim vremenskim uslovima kao što su magla, kiša, jak vjetar, opasnosti od groma ili drugi vremenski uslovi. Opasni uslovi, kao što je klizava površina, mogu se pojaviti uslijed lošeg vremena.
- Provjerite možete li se slobodno kretati u stabilnom položaju.
- Uvjerite se da ne možete pasti kada koristiti proizvod. Nemojte se naginjati kada rukujete proizvodom.
- Uvijek držite proizvod s dvije ruke. Držite prednju ručicu svojom lijevom rukom, a stražnju ručicu držite svojom desnom rukom. Proizvod držite s desne strane svog tijela.

- Ako je ručica za čok u položaju za gušenje kada se motor pokrene, lanac se počinje okretati.
- Zaustavite motor prije nego što pomjerite proizvod.
- Nemojte spuštati proizvod s uključenim motorom.
- Prije nego što uklonite neželjene materijale iz proizvoda, zaustavite motor. Sačekajte da se lanac zaustavi prije nego vi ili vaš pomoćnik uklonite isječeni materijal.
- Nemojte koristiti ovaj proizvod na stablu. Korištenje proizvoda dok ste na u stablu može uzrokovati fizičke povrede.

### (Sl. 23 )

- Kada pokrećete proizvod, morate aktivirati kočnicu lanca kako bi se smanjila opasnost da vas lanac dodirne prilikom pokretanja.

### (Sl. 24 )

- Spriječite povratni trzaj, klizanje, odbijanje i ispadanje, koji mogu uzrokovati teške povrede.
- Poštujte sva sigurnosna uputstva kako biste spriječili povratni trzaj i ostale sile koje mogu izazvati teške povrede.
- Redovno podešavajte zategnutost lanca pile kako biste bili sigurni da se lanac ne olabavi. Olabavljen lanac može odskočiti i izazvati teške povrede ili smrt.
- Nemojte obarati stabla koristeći nepravilan postupak. To može izazvati povredu kod osoba, udariti u neki od mrežnih vodova ili izazvati štetu na imovini.
- Rukovalac treba ostati na strani terena uzbrdo jer će se drvo vjerovatno otkotrljati ili kliznuti nizbrdo nakon obaranja.

### (Sl. 25 )

- Planirajte i očistite putanju za bijeg prije početka sječenja. Putanja za bijeg treba se prostirati dijagonalno iza očekivane linije pada.

### (Sl. 26 )

- Uvijek zaustavite motor prije nego što pomjerite proizvod između stabala.
- Vodite računa da čvrsto postavite stopala na tlo i ravnomjerno rasporedite svoju težinu.

### (Sl. 27 )

- Uvijek zauzmite stabilan stav nogama i rukujte proizvodom samo kada stojite na čvrstoj, sigurnoj i ravnoj površini. Klizave ili nestabilne površine, kao što su ljestve, mogu dovesti do gubitka ravnoteže ili kontrole.

### (Sl. 28 )

## Povratni trzaji, klizanje, odskakanje i ispadanje

Razne sile mogu utjecati na sigurnu kontrolu nad proizvodom.

- **Klizanje** se dešava kada vodilica klizi ili se kreće brzo preko drveta.
- **Odsakanje** se dešava kada se vodilica podigne s drveta i dodiruje ga opet i iznova.

- **Ispadanje** se dešava kada proizvod ispadne nakon što se napravi rez. To može izazvati pokrete lanca tako da on dodirne dio tijela ili druge predmete, uzrokujući tako povredu ili oštećenje.
- **Povratni trzaj** se dešava kada kraj vodilice dodiruje predmete i kada se kreće prema nazad, prema gore ili naglo prema naprijed. Povratni trzaj se također javlja kada se drvo zaklopi i stisne lanac pile tokom sječenja. Gubitak kontrole se može desiti ako proizvod dodirne neki predmet u drvetu.

(Sl. 29 )

- **Zaokretni povratni trzaj** se može desiti kada lanac u pokretu dotakne neki predmet na vrhu vodilice. To može izazvati da se lanac ukopa u predmet i da uzrokuje trenutno zaustavljanje lanca. Ishod je vrlo brza, povratna reakcija koja pomjera vodilicu prema gore i prema nazad u smjeru rukovaoca.

(Sl. 30 )

(Sl. 31 )

- **Uklješteni povratni trzaj** se može javiti kada se lanac pile iznenada zaustavi rokom sječenja. Drvo se zaklapa i stišće lanac pile u pokretu uzduž vrha vodilice. Naglo zaustavljanje lanca obrće silu lanca i uzrokuje da se proizvod kreće u smjeru suprotnom od okretanja lanca. Proizvod se kreće prema nazad u smjeru rukovaoca.

(Sl. 32 )

- **Uvlačenje** se može javiti ako se lanac pile naglo zaustavi kada lanac u pokretu dodirne neki predmet u drvetu duž dna vodilice. Naglo zaustavljanje povlači proizvod prema naprijed i dalje od rukovaoca, što lako može izazvati gubitak kontrole nad proizvodom od strane rukovaoca.

(Sl. 33 )

Uvjerite se da razumijete razne sile i na koji način iste možete spriječiti prije nego što počete rukovati proizvodom.

## Da biste spriječili povratne trzaje, klizanje, odskakanje i ispadanje

- Dok motor radi, uvjerite se da čvrstu držite proizvod. Svoju desnu ruku držite na stražnjoj ručki, a lijevu ruku na prednjoj ručki. Palčevima i prstima čvrsto držite oko ručki. Ne puštajte.
- Zadržite kontrolu nad proizvodom tokom sječenja i nakon što stablo padne na tlo. Nemojte dopustiti da zbog težine proizvod ispadne nakon obavljenog sječenja. (Sl. 34 )
- Uvjerite se da je područje u kojem vršite sječu oslobođeno od prepreka. Nemojte dopustiti da vrh vodilice dodiruje trupac, granu ili druge prepreke dok rukujete proizvodom.
- Sječu vršite pri velikim brzinama motora.
- Nemojte prebacivati ili rezati iznad visine ramena. (Sl. 35 )

- Poštujte uputstva proizvođača za oštrenje i održavanje lanca pile.
- Koristiti samo zamjenske vodilice i lance pile koje je specificirao proizvođač.
- Opasnost od povratnog trzaja se povećava ako je mjerac dubine postavljen preširoko.

## Lična zaštitna oprema

- Uvijek koristite pravilnu opremu za ličnu zaštitu kada rukujete proizvodom. Oprema za ličnu zaštitu ne eliminiše opasnost od povrede. Oprema za ličnu zaštitu smanjuje stepen povrede ako se nezgoda desi.
- Općenito, odjeća treba biti uz tijelo, a da pritom omogućava slobodu pokreta.
- Koristite odobrenu zaštitnu kacigu.
- Uvijek koristite odobrenu zaštitu za uši dok rukujete proizvodom. Buka tokom dužeg perioda može izazvati gubitak sluha.
- Koristite zaštitne naočale ili vizir za cijelo lice kako biste smanjili opasnost od povrede od odbačenih predmeta. Proizvod može velikom brzinom odbaciti predmete, kao što su piljevina drveta, komadići drveta itd. To može uzrokovati teške povrede, posebno očiju.
- Koristite rukavice sa zaštitom za motornu pilu.
- Koristite hlače sa zaštitom od motorne pile.
- Koristite čizme sa zaštitom od motorne pile, s čeličnom oblogom na nožnim prstima i protukliznim đonovima.
- Osigurajte da u blizini imate pribor prve pomoći.
- Varnice mogu doći iz prigušivača, vodilice i lanca ili iz drugih izvora. Sredstva za gašenje požara i lopata uvijek trebaju biti u blizini kako biste spriječili šumski požar.

## Zaštitni uređaji na proizvodu.

- Uvjerite se da redovno obavljate održavanje proizvoda.
  - Životni vijek proizvoda se time povećava.
  - Opasnost od nezgoda se smanjuje.

Dopustite ovlaštenom trgovcu ili ovlaštenom servisnom centru da redovno ispituju proizvod kako bi obavili prilagođavanja ili popravke.

- Nemojte koristiti proizvod koristeći oštećenu zaštitnu opremu. Ako je proizvod oštećen, obratite se ovlaštenom servisnom centru.

## Prekidač za zaustavljanje

Pokrenite motor. Provjerite da li se motor zaustavlja kada prekidač za zaustavljanje pomjerite u položaj za zaustavljanje.

## Pregled blokade ručice gasa

1. Vodite računa da ručica (B) bude zaključana u stanju mirovanja kada oslobodite isključivanje ručice (A). (Sl. 36 )

2. Pritisnite za isključivanje prekidača (A) i uvjerite se da se on vraća u svoj početni položaj kada ga oslobodite.
  3. Pritisnite okidač (A) i uvjerite se da se on vraća u svoj početni položaj kada ga oslobodite.
  4. Pokrenite motor i potom primijenite punu brzinu.
  5. Oslobodite okidač i ispitajte da li se lanac pile zaustavlja.
  6. Ako se lanac pile okreće kod motora u stanju mirovanja, provjerite podešenost vijka za stanje mirovanja na karburatoru.
- Pomjerite proizvod minimalno 3 m (10 stopa) od položaja gdje ste punili spremnik za gorivo prije pokretanja proizvoda.
  - Nemojte stavljati previše goriva u spremnik za gorivo.
  - Uvjerite se da ne može doći do curenja kada pomjerite proizvod ili spremnika za gorivo.
  - Nemojte stavljati proizvod ili spremnik za gorivo gdje postoji otvoreni plamen, iskra ili plinski plamen. Uvjerite se da područje za skladištenje ne sadrži otvoreni plamen.
  - Koristite samo odobrene spremnika kada pomjerate gorivo ili stavljate gorivo u skladište.
  - Ispraznite spremnik za gorivo prije dugotrajnog skladištenja. Poštujte lokalni zakon o tome gdje odlagati gorivo.
  - Očistite proizvod prije dugotrajnog skladištenja.
  - Skinite kabl svjećice prije nego što stavite proizvod u skladište kako biste bili sigurni da se motor neće pokrenuti slučajno.

## Štitnik

Štitnik sprječava izbacivanje predmeta u smjeru rukovaoca. Štitnik sprječava slučajan kontakt između rukovaoca i motorne pile.

- Uvjerite se da je štitnik dopušten za rad u kombinaciji s proizvodom.
- Nemojte koristiti proizvod bez datog štitnika.
- Uvjerite se da štitnik nije oštećen. Zamijenite štitnik ako je istrošen ili ako ima pukotina.

## Sigurnosne mjere pri rukovanju sa gorivom

- Nemojte pokretati proizvod ako u proizvodu ima goriva ili motornog ulja na proizvodu. Odstranite neželjeno gorivo/ulje i dopustite da se proizvod osuši. Odstranite neželjeno gorivo s proizvoda.
- Ako prolijete gorivo po odjeći, odmah presvucite odjeću.
- Nemojte dopustiti da gorivo dospije na tijelo, to može izazvati povredu. Ako gorivo dospije na odjeću, koristite sapun i vodu da odstranite gorivo.
- Nemojte pokretati motor ako prolijete ulje ili gorivo po proizvodu ili po svom tijelu.
- Nemojte pokretati proizvod ako se na motoru javlja curenje. Redovno provjeravajte motor na curenje.
- Budite oprezni s gorivom. Gorivo je zapaljivo i pare su eksplozivne i mogu izazvati povrede ili smrt.
- Nemojte udisati pare od goriva, to može izazvati povredu. Uvjerite se da ima dovoljno protoka zraka.
- Nemojte pušiti u blizini goriva ili motora.
- Nemojte stavljati tople predmete u blizini goriva ili motora.
- Nemojte dodavati gorivo kada je motor uključen.
- Uvjerite se da je motor hladan prije nego dopunite gorivo.
- Prije dopunjavanja gorivom, otvorite poklopac rezervoara za gorivo i pažljivo oslobodite pritisak.
- Nemojte dodavati gorivo u motor u zatvorenom prostoru. Nedovoljni protok zraka može izazvati povredu ili smrt zbog nedostatka kisika ili ugljičnog monoksida.
- Pažljivo pričvrstite poklopac spremnika za gorivo ili bi moglo doći do požara.
- Isključite svjećicu prije obavljanja radova na održavanju proizvoda, ne uključujući podešavanja karburatora.
- Neka sve radove na servisiranju proizvoda obavi ovlaštenu trgovac, ne uključujući poslove u *ODRŽAVANJE na strani 49*.
- Vodite računa da se lanac pile zaustavlja kada se otpusti ručica.
- Drške treba da su suhe, čiste, bez ulja ili mješavine goriva.
- Poklopci i steznici treba da budu propisno pričvršćeni.
- Zamjenske komponente koje nisu odobrene ili uklanjanje sigurnosnih uređaja može uzrokovati štetu na proizvodu. To također može uzrokovati povredu za rukovaoca ili posmatrača. Koristite samo onaj pribor i zamjenske dijelove koji su preporučeni. Nemojte mijenjati proizvod.
- Lanac pile održavajte naoštrenim i čistim za sigurne i visoke performanse.
- Poštujte uputstva za podmazivanje i zamjenu dodatne opreme.
- Provjerite da li na proizvodu ima oštećenih dijelova. Prije višekratne upotrebe proizvoda uvjerite se da oštećeni štitnik ili dio radi ispravno. Pregledajte da li ima pokvarenih ili neispravno poravnatih dijelova, te da li ima dijelova koji se ne kreću slobodno. Pregledajte da li ima drugih stanja koji mogu imati utjecaj na rad proizvoda. Uvjerite se da je proizvod pravilno instaliran. Štitnik ili drugi oštećeni dio mora popravit ili zamijeniti ovlaštenu trgovac osim u slučaju da je napisano u priručniku za rad.
- Kada nije u upotrebi, držite proizvod na suhom, podignut na visokom mjestu i u zaključanoj prostoriji, dalje od dohvata djece.

## Sigurnosna uputstva za održavanje

- Tokom transporta ili skladištenja proizvoda, koristite poklopac vodilice ili kućište da premjestite proizvod.

- Nemojte koristiti izgoreno ulje. Izgoreno ulje može biti opasno po vas i može uzrokovati štetu na proizvodu i okruženju.

## SASTAVLJANJE



**UPOZORENJE:** Pročitajte i proučite poglavlje za sigurnosna uputstva prije nego što sastavite proizvod.

### Da biste sastavili vodilicu i lanac pile

1. Pomjerite prednji štitnik za ruke u smjeru prednje ručke kako biste otpustili kočnicu lanca.
2. Izvucite dugme prema vani u položaj otvoreno. (Sl. 37 )
3. Okrenite dugme u smjeru suprotnom smjeru kretanja kazaljke na satu da olabavite poklopac vodilice. (Sl. 38 )
4. Uklonite dugme (A) i poklopac lančanika. Ako je postavljen štitnik za transport, uklonite ga. (Sl. 39 )
5. Stavite vodilicu preko mjesta za vijke. Vodilicu podesite u njen krajnji položaj. Postavite lanac pile preko pogonskog lančanika i učvrstite ga u utor na vodilici. Počnite na gornjem rubu vodilice. (Sl. 40 )
6. Proverite da li su rubovi na člancima za rezanje okrenuti prema naprijed na gornjem rubu vodilice.
7. Sastavite poklopac lančanika i namjestite klin podešivača lanca u rupu u vodilici. Vodite računa da se pogonski članci lanca pile uklapaju pravilno na pogonski lančanik. Takođe se uvjerite da je lanac pile ispravno pričvršćen u utor u vodilici. (Sl. 41 )
8. Pritegnite lanac pile okrećući zupčanik prema dolje (+). Pritežite lanac dok ne bude visio s donje strane vodilice. (Sl. 42 )
9. Lanac je pravilno zategnut kada ne visi ispod vodilice, ali da ga možete lako okretati rukom.

10. Držite vrh vodilice i okrećite dugme u smjeru kretanja kazaljke na satu da ga pritegnete. (Sl. 43 )

- Često provjeravajte zategnutost lanca nakon što sastavite novi lanac pile i dok se lanac pile ne pokrene.
- Redovno provjeravajte zategnutost lanca. Popravite rezultate zategnutosti lanca prema dobrim performansama rezanja i za dugi vijek trajanja.

### Ponovno postavljanje kočnice lanca

Ako je poklopac kvačila slučajno uklonjen dok je zaključana kočnica lanca, kočnica lanca se mora otključati tako da se poklopac kvačila može postaviti bez vezivanja za doboš kvačila.



**OPREZ:** opruga kočnice lanca je pod pritiskom. Budite oprezni pri resetiranju kočnice lanca.

**Napomena:** Nemojte držati traku kočnice dok je pokušavate vratiti u početni položaj.

1. Poravnajte ureze na šipki alata tako da se poklapaju preko rotirajuće veze kočnice. (Sl. 44 )
2. Da biste kočnicu vratili u početni položaj, okrećite vezu u smjeru kazaljke na satu dok se ne zaustavi. Prednja veza će biti u donjem rotirajućem položaju kada je kočnica lanca otključana. (Sl. 45 )(Sl. 46 )

## RAD



**UPOZORENJE:** Pročitajte i proučite poglavlje za sigurnosna uputstva prije početka rada s proizvodom.

### Korištenje goriva



**OPREZ:** Ovaj proizvod ima dvotaktni motor. Koristite mješavinu benzina i ulja za dvotaktni motor. Uvjerite se da koristite tačnu količinu ulja u smjesi. Netačan odnos benzina i ulja može izazvati oštećenje na motoru.

### Odnos mješavine goriva

Odnos mješavine goriva za benzin i ulje za dvotaktni motor je 50:1 (2%)

Benzin	Ulje za dvotaktni motor
1 SAD galon	77 ml (2,6 unci)
1 UK galon	95 ml (3,2 unce)
5 l	100 ml (3,4 unce)

### Za pravljenje mješavine goriva

1. Odredite tačnu količinu benzina i motornog ulja (odnos smjese 50:1) Nemojte praviti količinu

mješavine goriva za više od 30 dana. Pogledajte *Korištenje goriva na strani 46*.

2. Dodajte polovinu količine benzina u čisti spremnik goriva s ventilom protiv proljevanja.



**OPREZ:** Nemojte koristiti benzin s više od 10% koncentracije etanola (E10). To može izazvati oštećenje na proizvodu.



**OPREZ:** Nemojte koristiti benzin s brojem oktana koji je manji od 90 RON (87 AKI). To može izazvati oštećenje na proizvodu.

**Napomena:** Koristite benzin s većim brojem oktana ako često koristite proizvod pri stalnoj velikoj brzini.

3. Dodajte cijelu količinu ulja za dvotaktni motor u spremnik za gorivo.



**OPREZ:** Uvijek koristite zrakom ohlađeno ulje za dvotaktni motor visoke kvalitete. Druga ulja mogu izazvati oštećenje na proizvodu.

4. Protresite mješavinu goriva kako biste izmiješali sadržaj.
5. Dodajte preostalu količinu benzina u spremnik za gorivo.
6. Protresite mješavinu goriva kako biste izmiješali sadržaj.
7. Napunite spremnik za gorivo proizvoda mješavinom goriva. Pogledajte *Korištenje goriva na strani 46*.

## Da biste napunili spremnik za gorivo

1. Uvjerite se da je mješavina goriva ispravna i da je mješavina goriva u spremniku za gorivo s ventilom protiv prolijevanja.
2. Ako se gorivo nalazi na spremniku, uklonite neželjeno gorivo i ostavite da se spremnik osuši.
3. Uvjerite se da je područje koje se nalazi u blizini spremnika za gorivo čisto.
4. Uklonite poklopac rezervoara za gorivo
5. Protresite spremnik za gorivo prije nego što dodate mješavinu goriva u spremnik za gorivo.
6. Vratite poklopac spremnika za gorivo.

## Da biste podmazali lanac pile

Proizvod ima sistem automatskog podmazivanja. Rezervoar za ulje za lanac pile i rezervoar za gorivo su projektovani tako da gorivo iscure prije ulja za lanac pile. Za ovaj sigurnosni element potrebno je koristiti ispravno ulje za lanac te poštivanje uputstava.

1. Koristite ulje za lanac pile na bazi povrća ili standardno ulje za lanac.
2. Uvjerite se je područje u blizini poklopca spremnika za ulje za lanac pile čisto.

3. Uklonite poklopac spremnika za ulje za lanac pile.
4. Napunite spremnik za ulje za lanac pile preporučenim uljem za lanac pile.
5. Vratite poklopac spremnika za ulje za lanac pile.

## Pokretanje i zaustavljanje

### Prije nego što pokrenete motor

- Provjerite proizvod po pitanju nedostajućih, oštećenih, labavih ili pohabanih dijelova.
- Provjerite podloške, vijke i navrtke.
- Provjerite filter za zrak.
- Provjerite blokadu okidača i okidač radi ispravnog rada.
- Provjerite prekidač za zaustavljanje radi ispravnog rada.
- Pregledajte ima li curenja goriva na proizvodu.
- Provjerite naoštrenost i zategnutost lanca pile.

### Pokretanje hladnog motora

1. Pomjerite prednji štitnik za ruku prema naprijed da aktivirate kočnicu lanca. (Sl. 47)
2. Pritisnite pumpicu 6 puta. (Sl. 48)
3. Pomjerite kontrolu sauga u položaj za prigušenje do kraja. (Sl. 49)
4. Kućiče proizvoda držite na tlu lijevom rukom. Desnom nogom stanite u stražnji rukohvat da stabilizirate motornu pilu. Povucite ručku konopa za paljenje dok ne osjetite otpor. Zatim 5 puta jako povucite ručku konopa za paljenje. (Sl. 50)

**Napomena:** Nemojte povlačiti okidač prilikom pokretanja motora.

5. Pomjerite kontrolu sauga u položaj bez prigušenja (no choke).
6. Povlačite ručicu konopa za paljenje dok se motor ne pokrene. Sačekajte 60 sekundi nakon pokretanja prije nego što povučete okidač.



**OPREZ:** Nemojte povlačiti konop za paljenje dok se ne zaustavi. Ne puštajte konop za paljenje kada je izvučen do kraja. Polako otpustite konop za paljenje. Poštujte ova uputstva kako biste spriječili oštećenja na motoru.

7. Pomjerite prednji štitnik za ruke prema nazad u smjeru prednje ručke kako biste otpustili kočnicu lanca.
8. Držite stražnju ručicu desnom rukom, a prednju ručicu lijevom.
9. Koristite proizvod.

### Da biste pokrenuli zagrijan motor.

1. Pomjerite prednji štitnik za ruku prema naprijed da aktivirate kočnicu lanca.

2. Pritisnite pumpicu 6 puta.
3. Pomjerite kontrolu sauga u položaj za prigušenje do kraja.
4. Pomjerite kontrolu sauga u položaj bez prigušenja (no choke).
5. Kućiste proizvoda držite na tlu lijevom rukom. Desnom nogom stanite u stražnji rukohvat da stabilizirate motornu pilu. Povucite ručku konopa za paljenje dok ne osjetite otpor. Zatim povlačite ručicu konopa za paljenje jako dok se motor ne pokrene. (Sl. 51 )

**Napomena:** Nemojte povlačiti okidač prilikom pokretanja motora.



**OPREZ:** Nemojte povlačiti konop za paljenje dok se ne zaustavi. Ne puštajte konop za paljenje kada je izvučen do kraja. Polako otpustite konop za paljenje. Poštujte ova uputstva kako biste spriječili oštećenja na motoru.

6. Povucite prednji štitnik za ruke u smjeru prednje ručke kako biste otpustili kočnicu rukom.
7. Držite stražnju ručicu desnom rukom, a prednju ručicu lijevom.
8. Koristite proizvod.

## Da biste pokrenuli motor kada je gorivo pregrijano

Ako ne možete pokrenuti proizvod, moguće je da je gorivo pregrijano.

**Napomena:** Uvijek koristite novo gorivo i smanjite vrijeme rada tokom toplog vremena.

1. Odložite proizvod u hladno područje dalje od direktne sunčeve svjetlosti.
2. Ostavite proizvod da se ohladi minimalno 20 minuta.
3. Ponovo pritisnite pumpicu nekoliko puta tokom 10-15 sekundi.
4. Poštujte postupak za pokretanje hladnog motora. Pogledajte *Pokretanje hladnog motora na strani 47*.

## Zaustavljanje motora

- Pritisnite prekidač za zaustavljanje da zaustavite motor.

**Napomena:** Prekidač za zaustavljanje se automatski vraća u svoj početni položaj.

## Da biste koristili šiljasti odbojnik

Šiljasti odbojnik sprječava povratne trzaje i drži drvo kako ga režete. Šiljasti odbojnik je centralna tačka između tijela motora i vodilice.

1. Stavite donji kraj šiljastog odbojnika na ispravnu širinu zgloba.
2. Pritisnite, svojom lijevom rukom, na prednju ručku dok držite stražnju ručku pomoću svoje desne ruke.
3. Pilajte dok ne dobijete ispravnu širinu zgloba.

**Napomena:** Zglob mora imati jednaku debljinu.

4. Pilajte više od pola prečnika i zatim stavite klin za obaranje u napravljeni rez.

## Da biste oborili stablo

1. Uklonite nečistoće, kamenje, labavu koru, eksere, spajalice i žicu iz stabla.
2. Napravite urez od 1/3 prečnika stabla, okomito na smjer pada. (Sl. 52 )
3. Napravite donji horizontalni urez. Ovim će se spriječiti ukliještenje lanca pile ili vodilice kada se napravi drugi urez.
4. Napravite rez za obaranje unazad (X) minimalno 50 mm (2 inča) više od horizontalnog ureza. Neka rez za obaranje unazad bude paralelan s horizontalnim urezom tako da dovoljno drveta ostane da djeuje kao šarnir. Nemojte rezati kroz zglob. Šarnir drveta čuva sprječava uvrtnje i padanje stabla u pogrešnom smjeru. (Sl. 53 )(Sl. 54 )
5. Kako se rez za obaranje unazad približava zglobu, stablo počinje padati. Uvjerite se da stablo može pasti u ispravnom smjeru i da se ne zaljulja prema nazad i uklješti lanac pile. Zaustavite rezanje prije nego što završite rez za pad unazad kako biste to spriječili. Koristite drvene, plastične ili aluminijske klinove da otvorite rez i omogućite da stablo padne duže potrebne linije pada. (Sl. 55 )
6. Kada drvo počne padati, uklonite proizvod iz reza, zaustavite motor, spustite proizvod a zatim koristite planiranu putanju za povratak. Vodite računa od granama koje padaju iznad glave i pazite kuda hodate. (Sl. 56 )

## Da biste tesali grane sa stabla

1. Koristite veće grane da pridržavaju trupac odignut od tla.
2. Uklonite male grane jednim rezom. (Sl. 57 )
3. Odsijecite grane koje su zategnute od dna prema vrhu kako biste time spriječili ukliještenje lanca pile ili vodilice.

## Rezanje trupac na klade



**OPREZ:** Nemojte dopustiti da lanac pile dodirne tlo.

- Ako trupac ima potporu cijelom dužinom, režite s gornje strane trupca (poznato kao tesanje od vrha ka dnu). (Sl. 58 )



- Ako trupac ima potporu na jednom kraju, režite 1/3 prečnika s donje strane trupca (poznato kao tesanje od dna ka vrhu).(Sl. 59 )
- Ako trupac ima potporu na oba kraja, režite 1/3 prečnika s gornje strane. Dvorište rezanje tesanjem ispod 2/3 trupca da se spoji s prvim rezom.(Sl. 60 )
- Ako trupac tešete na kosini, uvijek stanite na strani koje je okrenuta uzbrdo od trupca. Režite kroz deblo dok održavate potpunu kontrolu nad proizvodom, a zatim pri kraju rezanja popustite pritisak rezanja dok čvrsto držite stražnji rukohvat i prednju ručku.(Sl. 61 )

## ODRŽAVANJE



**UPOZORENJE:** Pročitajte i proučite poglavlje za sigurnosna uputstva prije čišćenja, popravljajnja ili održavanja proizvoda.

### Plan održavanja

Uvjerite se da se pridržavate rasporeda održavanja. Intervali se računaju prema dnevnoj upotrebi proizvoda. Intervali se razlikuju ako ne koristite proizvod svaki dan. Obavljajte samo one radove na održavanju koje pronađete u ovom priručniku. Obratite se ovlaštenom servisnom centru u vezi drugih radova na održavanju koje ne možete pronaći u ovom priručniku.

### Svakodnevno održavanje

- Očistite vanjske površine.
- Vodite računa da blokada prekidača i prekidač rade ispravno.
- Očistite kočnicu lanca i vodite računa da radi ispravno.

(Sl. 62 )

- Provjerite hvatač lanca radi oštećenja. Zamijenite hvatač lanca ako je oštećen.

(Sl. 63 )

- Okrenite vodilicu svakog dana radi ravnomjernijeg trošenja.
- Uvjerite se da rupica za podmazivanje u vodilici nije začepljena.

(Sl. 64 )

- Očistite utor vodilice.

(Sl. 65 )

- Uvjerite se da vodilica i lanac pile dobivaju dovoljno ulja.
- Provjerite lanac pile:
  - radi pukotina na zakovicama i vezama
  - radi nepravilnog trošenja zakovica i veza
  - radi ispravne zategnutosti.

Ako je potrebno, zamijenite lanac pile.

- Naoštrite lanac pile. Pogledajte *Da biste naoštrili lanac pile na strani 50.*
- Provjerite pogonski zupčanik radi previše trošenja i zamijenite ga po potrebi.

(Sl. 66 )

- Očistite usisnik zraka jedinice za pokretanje.

- Uvjerite se da su navrtke i vijci pričvršćeni.
- Uvjerite se da prekidač za zaustavljanje ispravno radi.
- Provjerite motor, spremnik i vodove za gorivo radi curenja goriva.
- Vodite računa da se lanac pile ne okreće kada je motor podešen na rad u praznom hodu.

### Sedmično održavanje

- Uvjerite se da sistem hlađenja radi ispravno.
- Vodite računa da starter, konop za paljenje i povratna opruga rade ispravno.
- Vodite računa da elementi za ublažavanje vibracija nisu oštećeni.

(Sl. 67 )

- Odstranite sve brazde s rubova vodilice.
- Očistite ili zamijenite mrežicu za odvođenje iskre na prigušivaču.

(Sl. 68 )

- Očistite vanjske površine karburatora i područja u njegovoj blizini.
- Očistite filter zraka. Postavite novi filter zraka ukoliko je postojeći oštećen ili prevše zaprljan da bi se mogao očistiti. Pogledajte *Čišćenje zračnog filtera na strani 50* za više informacija.

### Mjesečno održavanje

- Provjerite oblogu kočnice na kočnici lanca radi trošenja. Zamijenite kada je debljina obloge kočnice manja od 0,6 mm (0,024 inča) na tački koja je najviše istrošena.

(Sl. 69 )

- Provjerite centar kvačila, korpu kvačila i oprugu kvačila radi trošenja.
- Očistite svjećicu. Vodite računa da zazor elektrode bude ispravan.

(Sl. 70 )

- Očistite vanjske površine karburatora i područja u njegovoj blizini.
- Provjerite filter za gorivo i crijevo za gorivo. Zamijenite svjećicu po potrebi.
- Ispraznite spremnik za gorivo.
- Ispraznite spremnik za ulje.
- Ispitajte sve kablove i spojeve.

## Godišnje održavanje

- Provjerite svječicu.
- Očistite vanjske površine karburatora i područja u njegovoj blizini.
- Očistite sistem za hlađenje.
- Provjerite zaslon odvodnika iskri.
- Provjerite filter za gorivo.
- Provjerite crijevo goriva radi oštećenja.
- Ispitajte sve kablove i spojeve.

## Povremeno održavanje

- Neka ovlaštenu servisnu centar vrši popravku ili zamjenu prigušivača nakon 50 sati rada.
- Radove održavanja na svjećici uradite kada:
  - je nivo napona u motoru nizak
  - je teško pokrenuti motor
  - motor ne radi ispravno pri brzini u praznom hodu.
- Provjerite podmazanost lanca pile svaki put kada punite gorivo. Pogledajte *Da biste provjerili podmazivanje lanca pile na strani 51*.

## Da biste podesili brzinu u praznom hodu

Uvjerite se da je filter za zrak čist i da je poklopac filtera za zrak pričvršćen prije nego što podesite brzinu u praznom hodu.

1. Okrenite vijak za podešavanje, koji je identificiran oznakom "T", u smjeru kazaljke na satu dok se lanac pile ne počne okretati.
2. Okrenite vijak za podešavanje, koji je identificiran oznakom "T", u smjeru suprotnom od smjera kazaljke na satu dok se lanac pile ne zaustavi.
3. Brzina u praznom hodu mora biti manja od brzine pri kojoj se lanac pile počinje okretati. Brzina u praznom hodu je pravilno namještena kada motor glatko radi u svakom položaju.

## Čišćenje mrežice odvodnika iskri

1. Koristite žičanu četku da očistite mrežicu odvodnika iskri.

## Da biste obavili radove održavanja na svjećici



**OPREZ:** Koristite preporučene svjećice. Uvjerite se da zamijenjeni dio bude isti kao i dio kojeg je osigurao proizvođač. Nepravilna svjećica može izazvati oštećenje na proizvodu.

1. Ako je proizvod teško pokrenuti ili ne radi glatko, provjerite svječicu zbog neželjenih materijala. Da biste smanjili opasnost od neželjenih materijala na elektrodama svjećice:

- a) uvjerite se da je brzina u praznom hodu ispravno podešena,
  - b) uvjerite se da je mješavina goriva ispravna,
  - c) uvjerite se da je filter za zrak čist.
2. Očistite svječicu ako je prijava. Vodite računa da zazor elektrode bude ispravan. (Sl. 71 )
  3. Zamijenite svječicu kad je to potrebno.

## Čišćenje zračnog filtera

1. Uklonite poklopac filtera za zrak i uklonite filter za zrak.
2. Očistite filter za zrak toplom sapunjavom vodom. Uvjerite se da je filter za zrak suh prije nego ga postavite.
3. Zamijenite filter zraka ako je previše prijav kako biste ga potpuno očistili. Uvijek zamijenite oštećeni filter za zrak.

## Da biste naoštrili lanac pile

### Rezač

Rezni dio lanca pile se naziva rezač i sastoji se od reznih zuba (A) i mjerača dubine rezanja (B). Dubina rezanja rezača se određuje pomoću razlike u visini između tu dvoje, postavka mjerača dubine (C).

(Sl. 72 )

Kada naoštrite rezne zube treba zapamtiti četiri važne stavke:

- Ugao oštrenja.

(Sl. 73 )

- Ugao rezanja.

(Sl. 74 )

- Položaj za oštrenje.

(Sl. 75 )

- Prečnik okrugle turpije.

(Sl. 76 )

### Da biste naoštrili zubac za rezanje

Koristite okruglu turpiju i mjerač turpije da naoštrite zubac za rezanje. Pogledajte *Oštrenje lanca pile i kombinacije lanca pile na strani 53* za informacije o preporučenim dimenzijama turpije i mjerača za lanac pile koji je ugrađen na vašem proizvodu.

1. Vodite računa da lanac pile bude pravilno zategnut. Labav lanac će se pomicati i otežavati pravilno oštrenje.
2. Prvo naoštrite zupce s jedne strane. Naoštrite rezne zube s unutrašnje strane i pustite pritisak na povratni udar.
3. Okrenite proizvod i naoštrite zupce s jedne strane.

4. Naoštrite sve zupce na istu dužinu. Kada se dužina reznih zubaca skрати na 4mm (5/32"), lanac pile je istrošen i mora se zamijeniti. (Sl. 77)

### Da biste prilagodili postavke mjerča dubine

Naoštrite rezne zupce prije nego što podesite mjerča dubine. Pogledajte *Da biste naoštrili zubac za rezanje na strani 50*. Kada oštrite rezne zube (A), postavka mjerča dubine (C) će se smanjiti. Da bi se održalo optimalan rad rezanja, mjerča dubine (B) treba skratiti kako bi se postigla preporučena postavka dubine. Pogledajte *Oštrenje lanca pile i kombinacije lanca pile na strani 53* kako biste pronašli ispravnu postavku mjerča dubine za svoj lanac. (Sl. 78 ) (Sl. 79 )

**Napomena:** Ova preporuka je zasnovana na pretpostavci da dužina reznih zuba nije previše skraćena.

Koristite ravnu turpiju i alat mjerča dubine da podesite mjerča dubine.

1. Stavite alat mjerča dubine iznad lanca pile. Detaljne informacije o načinu korištenja alata mjerča dubine možete pronaći na pakovanju alata mjerča dubine.
2. Koristite ravnu turpiju da skinete vrhu mjerča dubine koji se proteže kroz alat mjerča dubine. Mjerča dubine je ispravno postavljen kada više ne osjećate otpor prilikom povlačenja turpije preko alata mjerča dubine.

### Da biste zategnuli lanac pile

**Napomena:** Često provjeravajte zategnutost novog lanca pile tokom perioda početnog korištenja.

1. Olabavite matice vodilice koje drže poklopac lančanika. Koristite kombinovani ključ. (Sl. 80 )
2. Pritegnite rukom maticu vodilice, što više možete.
3. Podignite vrh vodilice i produžite lanac pile tako što ćete pritegnuti vijak za zatezanje lanca. Koristite kombinovani ključ. Pritegnite lanac pile dok ne prestane visiti s dna vodilice. (Sl. 81 )
4. Pritegnite matice vodilice pomoću kombiniranog ključa i podignite vrh vodilice u isto vrijeme. (Sl. 82 )
5. Vodite računa da možete rukom slobodno povući lanac pile i da on ne visi. (Sl. 83 )

## Da biste podmazali opremu za rezanje

### Da biste provjerili podmazivanje lanca pile

Provjerite podmazivanje lanca pile svaki put kada punitel gorivo.

1. Pokrenite proizvod i pustite da radi pri 3/4 brzine. Usmjerite vrh vodilice prema površini sa svjetlom bojom, odmaknuto skoro 20 cm (8 inča).
2. Nakon 1 minute rada, linija ulja pokazuje na svjetlu površinu.
3. Ako ne možete vidjeti liniju ulja nakon 1 minute, očistite uljni kanal u vodilici. Očistite utor u rubu vodilice. Uvjerite se da se vrh lančanika vodilice slobodno okreće i da nema blokada u rupici za podmazivanje. Očistite i podmažite vrh lančanika.
4. Pokrenite proizvod i pustite da radi pri 3/4 brzine. Usmjerite vrh vodilice prema površini sa svjetlom bojom, odmaknuto skoro 20 cm (8 inča).
5. Nakon 1 minute rada, linija ulja pokazuje na svjetlu površinu.
6. Ako ne možete vidjeti liniju ulja nakon 1 minute, obratite se ovlaštenom trgovcu.

## TRANSPORT

- Ispraznite gorivo i spremnike ulja za lanac prije transporta. Na pravilan način odložite korištene tečnosti.
- Stavite poklopac vodilice na dodatak za rezanje tokom transporta. To sprječava osobe da slučajno dodiruju oštri lanac pile. Lanac pile koji nije u funkciji može vam ili drugim osobama koje dodiruju oštri lanac pile uzrokovati povredu.
- Uklonite kapicu svjećeice sa svjećeice i zategnite kočnicu lanca prije transporta.
- Uvjerite se da se proizvod ne može pomjerati tokom transporta.

## SKLADIŠTENJE

- Uvijek proizvod odložite na sigurno kada nije u upotrebi. Curenja i pare iz proizvoda mogu doći u kontakt sa svjećicama, otvorenim plamenom iz električne opreme, električnih kosilica, releja/ prekidača, kotlova i još mnogo toga.
- Gorivo uvijek držite u odobrenom spremniku.
- Ispraznite gorivo i spremnik za ulje za lanac kada je proizvod uskladišten tokom dužeg vremena. Na pravilan način odložite korištene tečnosti.
- Tokom skladištenja, stavite poklopac vodilice na vodilicu. To sprječava osobe da slučajno dodiruju oštri lanac pile. Lanac pile koji nije u funkciji može vam ili drugim osobama koje dodiruju oštri lanac pile uzrokovati povredu.
- Uklonite kapicu svjećeice sa svjećeice i zategnite kočnicu lanca prije skladištenja.

## TEHNIČKI PODACI

	jedinica	120 Mark II (P02138HV)
<b>Specifikacije motora</b>		
Pomicanje cilindra	cm <sup>3</sup>	38
Svjećica		Champion RCJ7Y
Razmak između elektroda	mm (inč)	0,5 (0,02)
Zapremina spremnika za gorivo	cm <sup>3</sup>	300
Brzina u praznom hodu	min <sup>-1</sup>	2800-3200
Izlazna snaga pri 9000 min <sup>-1</sup>	kW	1,4
Period trajanja emisije	h	50
<b>Podaci o buci i vibracijama</b>		
Ekvivalentni nivoi vibracija, hveq prednja ručka <sup>11</sup>	m/s <sup>2</sup>	4,5
Ekvivalentni nivoi vibracija, hveq stražnja ručka <sup>12</sup>	m/s <sup>2</sup>	6,0
Nivo jačine zvuka, garantovani (L <sub>WA</sub> ) <sup>13</sup>	dB(A)	116
Nivo jačine zvuka, izmjereni <sup>14</sup>	dB(A)	110
Nivo zvučnog pritiska u uhu rukovaoca <sup>15</sup>	dB(A)	95
<b>Dimenzije proizvoda</b>		
Težina (bez opreme za rezanje)	kg	4,9
Zapremina spremnika za ulje	cm <sup>3</sup>	200
<b>Sistem napajanja gorivom i podmazivanje</b>		
Kapacitet uljne pumpe pri 9000 min <sup>-1</sup>	ml/min	7
Zapremina spremnika za ulje	cm <sup>3</sup>	200
Tip uljne pumpe		Automatski
<b>Lanac pile i vodilica</b>		
Standardna dužina vodilice	cm (inč)	35-40 (14-16)
Preporučena dužina nosača	cm (inč)	35-45 (14-18)
Korisna dužina rezanja	cm (inč)	34 – 39 (13,5 – 15,5)

<sup>11</sup> Prema standardu ISO 22867, ekvivalentni nivo vibracije se izračunava kao vremenski mjeren zbir energija za razine vibracije u različitim uvjetima rada. Prijavljeni podaci ekvivalentnih nivoa vibracije posjeduju tipičnu statičku disperziju (standardno odstupanje) od 1 m/s<sup>2</sup>.

<sup>12</sup> Prema standardu ISO 22867, ekvivalentni nivo vibracije se izračunava kao vremenski mjeren zbir energija za razine vibracije u različitim uvjetima rada. Prijavljeni podaci ekvivalentnih nivoa vibracije posjeduju tipičnu statičku disperziju (standardno odstupanje) od 1 m/s<sup>2</sup>.

<sup>13</sup> Emisije buke u okruženju mjerene su kao jačina zvuka (L<sub>WA</sub>).

<sup>14</sup> Emisije buke u okruženju mjerene su kao jačina zvuka (L<sub>WA</sub>).

<sup>15</sup> Ekvivalentna vrijednost nivoa zvučnog pritiska izračunava se kao ukupna vrijednost energije iskazane prema vremenu za različite vrijednosti zvučnog pritiska pod različitim uvjetima rada. Tipična statistička disperzija za ekvivalentni nivo pritiska buke je standardna devijacija od 1 dB (A).

	<b>jedinica</b>	<b>120 Mark II (P02138HV)</b>
Maksimalna brzina lanca pile	m/s	22,3
Korak lanca pile	mm (inč)	8,3 (0.325) 9,52 (3/8)
Debljina pogonskih veza (mjera)	mm (inč)	1,3 (0,05)
Vrta pogonskog zupčanika		Podupirač
Broj zubaca pogonskog zupčanika		6 (pogonskog zupčanika 3/8) 7 (pogonskog zupčanika 0,325)

## PRIBOR

### Kombinacije vodilice i lanca pile

Pribor za rezanje ispod je odobren za korištenje na ovom proizvodu.

Vodilica				Lanac pile	
Dužina, cm (in)	Korak, mm (in)	Mjerač, mm (in)	Maks. prečnik vrha	Tip	Broj pogonske veze
33 (13)	8,25 (0.325)	1,3 (0.050)	10T	Husqvarna H30	56
38 (15)	8,25 (0.325)				64
35 (14)	9,52 (3/8)		7T	Husqvarna H37	52
40 (16)	9,52 (3/8)				56
45 (18)	9,52 (3/8)				62

### Oštrenje lanca pile i kombinacije lanca pile

Lanac pile					
Tip lanca	Veličina okrugle turpije	Ugao bočne ploče	Ugao gornje ploče	Ugao vodiča turpije	Postavke mjerača dubine
H30	3/16 inča / 4,8 mm	60°	30°	10°	0,025 in / 0,65 mm
H37	5/32 in / 4,0 mm	60°	30°	0°	0,025 in / 0,65 mm

---

## SADRŽAJ DEKLARACIJE EC O USKLAĐENOSTI

---

Mi, Husqvarna AB, SE 561 82 Huskvarna, ŠVEDSKA, izjavljujemo pod punom odgovornošću da predstavljani proizvod:

Opis	Benzinska motorna pila
Brend	Husqvarna
Platforma / tip / model	Platforma P02138HV, predstavlja model 120 Mark II
Serijski broj	Serijski broj s datumom od 2018 i nadalje

u potpunosti su u skladu sa sljedećim EU direktivama i propisima:

Direktiva/propis	Opis
2006/42/EC	"o mašinama"
2014/30/EU	"o elektromagnetnoj kompatibilnosti"
2000/14/EC	"o spoljnoj buci"

Harmonizirani standardi i/ili tehničke specifikacije koje su primijenjene su kako slijedi: EN ISO 12100, EN ISO 11681-1, CISPR 12, ISO 14982

U skladu s direktivom 2000/14/EC, Aneks V, deklarirane vrijednosti zvuka su navedene u odjeljku za tehničke podatke ovog priručnika i u potpisanoj Deklaraciji EC o usklađenosti.

TÜV Rheinland LGA Products GmbH, Notifikacijsko tijelo za mašine (notificirano pod 0197), Tillystraße 2 - 90431 Nürnberg, Njemačka, izvodi EC tip ispitivanja u skladu sa 2006/42/EC, član 12, tačka 3b.

Certifikat za tip ispitivanja, u skladu s aneksom IX, kao što je navedeno u potpisanoj Deklaraciji o usklađenosti, primjenjuje se na svim lokacijama proizvođača i u zemljama porijekla, kao što je navedeno na proizvodu.

Ova motorna pila je u skladu s primjerkom na kojem je izvršeno tip EC ispitivanja.

---

## Obsah

---

ÚVOD.....	55	PŘEPRAVA.....	65
BEZPEČNOST.....	56	SKLADOVÁNÍ.....	65
SESTAVENÍ.....	60	TECHNICKÉ ÚDAJE.....	65
PROVOZ.....	60	PŘÍSLUŠENSTVÍ.....	67
ÚDRŽBA.....	63	OBSAH PROHLÁŠENÍ O SHODĚ EU.....	67

---

## ÚVOD

---

### Návod k používání

Návod k obsluze byl původně napsán v angličtině. Návodky k obsluze v ostatních jazycích jsou překlady z angličtiny.

### Přehled

(Obr. 1 )

1. Štítek s výrobním číslem
2. Pojistka spínače
3. Přední rukojeť
4. Kryt válce
5. Brzda řetězu a chránič levé ruky
6. Tlumič výfuku
7. Zubová opěrka
8. Vodicí kolečko na špičce lišty
9. Chránič pravé ruky
10. Spínač
11. Kryt řetězového kolečka
12. Zachycovač řetězu
13. Vodicí lišta
14. Pilový řetěz
15. Startovací madlo
16. Nádrž oleje na mazání řetězu
17. Startér
18. Palivová nádrž
19. Ovládání sytiče
20. Zadní rukojeť
21. Stop spínač (vypínač zapalování)
22. Šroub seřízení volnoběžných otáček
23. Palivová pumpička
24. Informační a výstražný štítek
25. Šroub napínače řetězu
26. Kryt vodicí lišty
27. Kombinovaný nástroj
28. Olej pro dvoudobé motory
29. Návod k používání (EPA)

### Symboly na výrobku

(Obr. 2 ) Varování

(Obr. 3 ) Přečtěte si tento návod

(Obr. 4 ) Použijte schválenou ochranu hlavy, ochranu sluchu a ochranu očí.

(Obr. 5 ) Použijte schválené ochranné rukavice

(Obr. 6 ) Výrobek odpovídá příslušným směrnicím ES

(Obr. 7 ) Hladina akustického výkonu

(Obr. 8 ) Brzda řetězu, neaktivovaná (vlevo). Brzda řetězu, aktivovaná (vpravo)

(Obr. 9 ) Ovládání sytiče

(Obr. 10 ) Palivová pumpička

(Obr. 11 ) Otvor pro doplnění paliva

(Obr. 12 ) Plnění oleje na mazání řetězu

(Obr. 13 ) Tento výrobek odpovídá příslušným směrnicím EAC.

(Obr. 14 ) Tento výrobek odpovídá příslušným směrnicím platným na Ukrajině.

(Obr. 15 ) Hladina hluku

(Obr. 16 ) Výrobek držte pevně oběma rukama.

(Obr. 17 ) Nepoužívejte výrobek jednou rukou.

(Obr. 18 ) Vyvarujte se kontaktu se špičkou vodicí lišty.

(Obr. 19 ) Dávejte pozor na zpětný vrh.

(Obr. 20 ) Tento výrobek odpovídá směrnicí o elektromagnetické kompatibilitě platné v Austrálii a na Novém Zélandu.

**Povšimněte si:** Další symboly/štítky na produktu se týkají certifikačních požadavků pro další komerční oblasti.

## Odovědnost za výrobek

Jak uvádí zákon o odpovědnosti za výrobek, neneseme odpovědnost za žádnou škodu způsobenou našim výrobkem, pokud:

- byl produkt nesprávně opraven,
- byl produkt opraven pomocí součástí od jiného výrobce nebo součástí, které nejsou výrobcem schváleny,
- má produkt příslušenství od jiného výrobce nebo příslušenství, které není výrobcem schváleno,
- produkt nebyl opraven ve schváleném servisním středisku nebo schváleným odborníkem.

# BEZPEČNOST

## Definice týkající se bezpečnosti

Níže uvedené definice uvádí úroveň vážnosti jednotlivých signálních slov.



**VÝSTRAHA:** Zranění osob.



**VAROVÁNÍ:** Poškození výrobku.

**Povšimněte si:** Díky těmto informacím je používání výrobku snazší.

## Obecné bezpečnostní pokyny

- Používejte výrobek správně. Nesprávné používání může mít za následek zranění nebo smrt. Výrobek používejte pouze k činnostem uvedeným v tomto návodu. K jiným činnostem výrobek nepoužívejte.
- Přečtěte si pokyny v návodu a řiďte se jimi. Řiďte se bezpečnostními symboly a pokyny. Pokud se obsluha nebude řídit pokyny a symboly, může dojít ke zranění, poškození nebo smrti.
- Tento návod nevyhazujte. Použijte pokyny k sestavení, k používání a udržování výrobku v dobrém stavu. Použijte pokyny k správné montáži nástavců a příslušenství. Používejte pouze schválené nástavce a příslušenství.
- Nepoužívejte poškozený výrobek. Dodržujte plán údržby. Provádějte pouze údržbu, ke které najdete pokyny v tomto návodu. Veškerou údržbu musí provádět schválené servisní středisko.
- Tento návod nemůže obsahovat všechny situace, ke kterým při používání výrobku dochází. Buďte opatrní a používejte zdravý rozum. Výrobek nepoužívejte a neprovádějte údržbu, když si nejste jistí danou situací. Poradte se s odborníkem, prodejcem, servisním pracovníkem nebo schváleným servisním střediskem.
- Před montáží, uskladněním nebo údržbou výrobku odpojte kabel zapalovací svíčky.
- Pokud se změni původní specifikace výrobku, nepoužívejte ho. Bez schválení výrobcem neměňte

žádné součásti výrobku. Používejte výhradně součásti schválené výrobcem. Nesprávná údržba může mít za následek zranění nebo smrt.

- Nevdechujte výpary motoru. Vdechování výfukových plynů motoru, olejové mlhy a pilin po dlouhou dobu představuje zdravotní riziko.
- Nestartujte výrobek uvnitř budovy ani v blízkosti hořlavých materiálů. Výfukové plyny jsou horké a mohou obsahovat jiskry, které by mohly zažehnout požár. Bez dostatečného proudění vzduchu může dojít k udušení oxidem uhelnatým.
- Tento výrobek vytváří během provozu elektromagnetické pole. Elektromagnetické pole může poškodit implantované lékařské přístroje. Před použitím výrobku se poraďte s lékařem a výrobcem implantovaných lékařských přístrojů.
- Zamezte používání výrobku dětmi.
- Zamezte používání výrobku osobami, které naznaží pokyny.
- Vždy sledujte osoby s fyzickým nebo mentálním postižením při práci s výrobkem. Vždy musí být přítomna zodpovědná dospělá osoba.
- Výrobek zamykejte na místě, kam nemají přístup děti a nežádoucí osoby.
- Produkt může způsobit vymrštění předmětů a následné poranění. Dodržujte bezpečnostní předpisy pro snížení rizika zranění a smrti.
- Neodcházejte od výrobku, když je spuštěný motor. Vypněte motor a přesvědčte se, že se řetěz neotáčí.
- Za případnou nehodu nese zodpovědnost obsluha výrobku.
- Před použitím se přesvědčte, že nejsou poškozeny součásti.
- Podrobnosti naleznete v mezinárodních a místních zákonech. Za určitých podmínek mohou použití výrobku zakazovat nebo omezovat.

## Bezpečnostní pokyny pro provoz

- Souvislý nebo pravidelný provoz tohoto výrobku může způsobit onemocnění rukou, tzv. bílé prsty, nebo podobné zdravotní problémy způsobené vibracemi. Pokud používáte výrobek souvisle nebo pravidelně, kontrolujte stav rukou a prstů. Pokud ruce nebo prsty zblednou, bolí, cítíte mravenčení nebo jsou znečitlivěné, ukončete práce a promluvte si co nejdříve s lékařem.



- Před použitím zkontrolujte, že je výrobek zcela smontovaný.
- Produkt může způsobit vymrštění předmětů a následně poranění očí. Při práci s výrobkem vždy používejte schválenou ochranu očí.
- Dejte pozor, během práce se k vám může přiblížit dítě, aniž byste o tom věděli.
- Pokud se v pracovní oblasti vyskytují osoby, nepracujte. Když do pracovní oblasti vstoupí jiná osoba, výrobek vypněte.

(Obr. 21)

- Přesvědčte se, že máte výrobek stále pod kontrolou.
- Výrobek je nutné držet oběma rukama. Nepoužívejte výrobek jednou rukou. Při držení stroje pouze jednou rukou hrozí obsluze, pracovníkům, osobám v okolí či kombinaci těchto osob vážné zranění.
- Držte přední rukojeť levou rukou a zadní rukojeť pravou rukou. Výrobek držte po své pravé straně.

(Obr. 22)

- Nikdy výrobek nepoužívejte, jste-li unavení, nemocní nebo pod vlivem léků, alkoholu nebo drog.
- Pokud by vám v případě nehody neměl kdo pomoci, výrobek nepoužívejte. Než začnete výrobek používat, informujte o tom ostatní.
- Než se s výrobkem otočíte, přesvědčte se, že se v bezpečnostní oblasti nevyskytují žádné osoby ani zvířata.
- Než výrobek spustíte, odstraňte z pracovní oblasti případné nechtěné materiály. Pokud řetěz zasáhne nějaký předmět, může dojít k vymrštění předmětu a zranění nebo škodě. Nechtěný materiál se může namotat na řetěz a způsobit škodu.
- Výrobek nepoužívejte za špatného počasí, například za mlhy, deště, silného větru, nebezpečí blesku nebo jiného nepříznivého počasí. Špatné počasí může způsobit nebezpečné podmínky, například kluzký povrch.
- Přesvědčte se, že se můžete volně pohybovat a pracovat ve stabilní poloze.
- Ujistěte se, že při používání výrobku nemůžete spadnout. Při používání výrobku se nenaklánějte.
- Výrobek vždy držte oběma rukama. Držte přední rukojeť levou rukou a zadní rukojeť pravou rukou. Výrobek držte po své pravé straně.
- Pokud je po spuštění motoru ovládná sytiče v poloze sycení, řetěz se začne otáčet.
- Než výrobek začnete přesouvat, zastavte motor.
- Neodkládejte výrobek, když je spuštěný motor.
- Než se pokusíte odstranit nechtěný materiál z výrobku, vypněte motor. Než vy nebo pomocník začnete odstraňovat nechtěný materiál, nechte zastavit řetěz.
- Nepoužívejte tento výrobek na stromě. Při práci s výrobkem na stromě hrozí nebezpečí zranění osob.

(Obr. 23)

- Před nastartováním výrobku je nutné aktivovat brzdou řetězu, protože se tak snižuje riziko kontaktu s řetězem pily během startování.

(Obr. 24)

- Eliminujte zpětný vrh, klouzání, odskakování a pád. Toto chování pily může vést k vážnému zranění.
- Dodržujte veškeré bezpečnostní pokyny, aby se zabránilo zpětnému vrhu a jiným silám, které mohou způsobit vážnému zranění.
- Pravidelně seřizujte napnutí řetězu pily, aby bylo zajištěno, že se neuvolní z vodící lišty. Nedostatečně napnutý řetěz pily může vyskočit a způsobit vážné zranění nebo usmrcení.
- Nekácejte stromy pomocí nesprávného postupu. Mohlo by dojít k zranění osob, poškození elektrického vedení nebo majetku.
- Uživatel by se měl zdržovat na vyšší straně terénu, jelikož má strom po pokácení většinou tendenci skutálet se nebo posunout směrem dolů.

(Obr. 25)

- Před provedením řezu si naplánujte a vyklidte únikovou cestu. Únikovou cestu je třeba rozšířit směrem dozadu a šikmo k zadní části očekávané linie pádu.

(Obr. 26)

- Než výrobek začnete přenášet mezi stromy, vždy vypněte motor.
- Udržujte pevné postavení nohou na zemi a rovnoměrně rozložte svoji váhu.

(Obr. 27)

- Vždy udržujte správný postoj a pracujte s výrobkem pouze tehdy, když stojíte na pevném, bezpečném a rovném povrchu. Kluzké nebo nestabilní povrchy, například žebříky, mohou způsobit ztrátu rovnováhy nebo kontroly.

(Obr. 28)

## Zpětný vrh, klouzání, odskakování a pád

Na bezpečnou obsluhu výrobku mohou působit různé síly.

- **Klouzání** je, když se vodící lišta klouže nebo rychle pohybuje napříč dřevem.
- **Odsakování** je, když se lišta opakovaně zvedne ze dřeva a poté na dřeva spadne.
- **Pád** je, když výrobek spadne dolů po provedení řezu. To může vést k zasažení částí těla nebo dalších předmětů řetězem a k zranění nebo jiným škodám.
- **Zpětný vrh** je, když se špička vodící lišty dotkne nějakého předmětu a začne se pohybovat dozadu, nahoru nebo prudce dopředu. K zpětnému vrhu může také dojít, když během řezání dřeva sevře řetěz pily. Pokud výrobek přijde do styku s nějakým předmětem ve dřevu, může dojít ke ztrátě kontroly.

(Obr. 29)

- **Rotací zpětný vrh** vzniká, když se běžící řetěz dostane do styku s nějakým předmětem na horním konci vodící lišty. To může způsobit zařazení do předmětu a okamžité zastavení řetězu. Výsledkem je velmi rychlá opačná reakce, kdy se vodící lišta pohybuje nahoru a dozadu směrem k obsluze.

(Obr. 30 )

(Obr. 31 )

- **Zpětný vrh přiskřípnutím** vzniká, když se řetěz pily během řezu náhle zastaví. Dřevo se uzavře a přiskřípne pohybuje se řetěz pily podél horní části vodící lišty. Náhlé zastavení řetězu obrátí sílu řetězu a způsobí pohyb výrobku v opačném směru k otáčení řetězu. Výrobek se pohybuje dozadu směrem k obsluze.

(Obr. 32 )

- **Vtažení** vzniká, když přijde pohybuje se řetěz do styku s nějakým předmětem ve dřevu podél dolní části vodící lišty. V důsledku se řetěz pily náhle zastaví. Při náhlém zastavení dojde k vtažení výrobku směrem dopředu a od obsluhy, což může snadno vést k ztrátě kontroly nad výrobkem.

(Obr. 33 )

Před použitím výrobku se ujistěte, zda správně rozumíte různým silám a víte, jak je eliminovat.

## Jak zabránit zpětnému vrhu, klouzání, odskakování a pádu

- Když motor běží, držte pevně výrobek. Držte pravou rukou zadní rukojeť a levou rukou přední rukojeť. Pevně uchopte rukojeť palcem a prsty. Nenechte rukojeť vypadnout.
- Udržujte kontrolu nad výrobkem během řezu, a když dřevo spadne na zem. Nedovolte, aby hmotnost výrobku způsobila jeho pád po dokončení řezu.(Obr. 34 )
- Zkontrolujte, zda nejsou v prostoru, v němž řezáte, přítomny překážky. Při obsluze výrobku nedovolte, aby špička vodící lišty přišla do styku s kmenem, větvemi nebo jinými překážkami.
- Řezajte při vysokých otáčkách motoru.
- Nenatahujte se příliš ani neřežte výše, než jsou vaše ramena.(Obr. 35 )
- Dodržujte pokyny výrobce týkající se ostření a údržby řetězu pily.
- Používejte výhradně náhradní lišty a pilové řetězy předepsané výrobcem.
- Nebezpečí zpětného odrazu se zvyšuje, jestliže je výška omezovacích zubů příliš velká.

## Osobní ochranné prostředky

- Při práci s výrobkem vždy používejte správné osobní ochranné prostředky. Osobní ochranné prostředky neodstraňují nebezpečí zranění. Osobní ochranné prostředky snižují úroveň zranění v případě nehody.

- Obecně by měl být oděv přiléhavý, aniž by omezoval volnost pohybu.
- Používejte schválenou ochrannou přilbu.
- Při práci s výrobkem vždy používejte schválenou ochranu sluchu. Dlouhodobé působení hluku může způsobit ztrátu sluchu.
- Používejte ochranné brýle nebo ochranný štít na obličej, abyste snížili nebezpečí zranění odletujícími předměty. Výrobek je schopen velkou silou vymrštít různé předměty, jako např. dřevěné štěpky, malé kousky dřeva atd. To může způsobit vážné zranění, především oči.
- Používejte ochranné rukavice pro práci s motorovou pilou.
- Používejte ochranné kalhoty pro práci s motorovou pilou.
- Používejte ochrannou obuv pro práci s motorovou pilou s ocelovou špičkou a nekouzavou podrážkou.
- Přesvědčte se, že máte v dosahu k dispozici lékárníčku.
- Jiskry mohou vylétávat z tlumiče výfuku, od lišty a řetězu pily nebo z jiných zdrojů. Vždy mějte při sobě hasicí prostředky a lopatku, aby se zabránilo lesním požárům.

## Ochranná zařízení na produktu

- Zajistěte pravidelnou údržbu výrobku.
  - Prodlouží se tím jeho životnost.
  - Sniží se nebezpečí nehody.

U schváleného prodejce nebo ve schváleném servisním středisku nechte výrobek pravidelně kontrolovat, seřídit nebo případně opravit.

- Nepoužívejte výrobek s poškozenými ochrannými prostředky. V případě poškození výrobku se obraťte na schválené servisní středisko.

## Stop spínač (vypínač zapalování)

Nastartujte motor. Zkontrolujte, zda se motor zastaví při přesunutí vypínače zapalování do polohy zastavení.

## Kontrola pojistky spínače plynu

1. Při uvolnění pojistky spínače (A) se přesvědčte, že je spínač (B) zablokovaný ve volnoběžných otáčkách. (Obr. 36 )
2. Stiskněte pojistku spínače (A) a zkontrolujte, zda se po uvolnění vrátí do své výchozí polohy.
3. Stiskněte spínač (B) a zkontrolujte, zda se po uvolnění vrátí do své výchozí polohy.
4. Nastartujte motor a uveďte jej na plné otáčky.
5. Uvolněte spínač a zkontrolujte, jestli se pilový řetěz zastaví.
6. Pokud se pilový řetěz otáčí při volnoběžných otáčkách motoru, zkontrolujte stavění šroub karburátoru.

## Kryt

Kryt brání odmrštění předmětů směrem k obsluze. Kryt také brání náhodnému kontaktu obsluhy s řetězem pily.

- Zkontrolujte, že je povoleno používat kryt v kombinaci s výrobkem.
- Nepoužívejte výrobek bez krytu.
- Zkontrolujte, zda není kryt poškozený. Vyměňte kryt, pokud je opotřeбенý nebo jsou na něm praskliny.

## Bezpečnost při manipulaci s palivem

- Pokud je na výrobku palivo nebo olej, nespouštějte ho. Nechtěně palivo/olej z výrobku odstraňte a nechte výrobek uschnout. Nechtěně palivo z výrobku odstraňte.
- Pokud si palivem polijete oblečení, okamžitě se převlékněte.
- Zabraňte styku paliva s tělem, může způsobit zranění. Pokud se palivo na vaše tělo dostane, omyjte se vodou a mýdlem.
- Pokud polijete výrobek nebo sebe olejem nebo palivem, nespouštějte motor výrobku.
- Nepouštějte motor, pokud z něj něco uniká. Pravidelně kontrolujte, jestli z motoru nic neuniká.
- Při manipulaci s palivem buďte opatrní. Palivo je hořlavé a výpary jsou výbušné a mohou způsobit zranění nebo smrt.
- Nevdechujte palivové výpary, mohou způsobit zranění. Zajistěte dostatečný průtok vzduchu.
- V blízkosti paliva ani motoru nekuřte.
- Do blízkosti paliva ani motoru neumísťujte horké předměty.
- Když je spuštěný motor, nedoplňujte palivo.
- Než začnete doplňovat palivo, přesvědčte se, že je motor studený.
- Než doplníte palivo, pomalu otevřete uzávěr palivové nádrže a opatrně uvolněte tlak.
- Palivo do motoru nedoplňujte ve vnitřních prostorech. Nedostatečné proudění vzduchu může způsobit zranění nebo smrt udušením nebo otravou kyslíčnickem uhelnatým.
- Uzávěr palivové nádrže pečlivě dotáhněte, aby nedošlo k požáru.
- Než výrobek spustíte, přejděte s ním minimálně 3 m (10 stop) od místa, kde jste doplňovali palivo.
- Palivovou nádrž nepřepĺňte.
- Přesvědčte se, že při pohybu výrobku nebo nádoby na palivo nemůže dojít k úniku.
- Výrobek ani nádobu na palivo neumísťujte do míst s otevřeným ohněm, jiskrami nebo zapalovacím plamínkem. Přesvědčte se, že v oblasti uložení nevyskytuje otevřený plamen.

- Pro přenášení a skladování paliva používejte pouze schválené nádoby.
- Před dlouhodobým uskladněním vyprázdněte palivovou nádrž. Dodržujte místní zákony ohledně likvidace paliva.
- Před dlouhodobým uskladněním výrobek vyčistěte.
- Než výrobek uskladníte, odstraňte kabel zapalovací svíčky, aby motor nahodile nenastartoval.

## Bezpečnostní pokyny pro údržbu

- Před prováděním údržby výrobku, kromě seřízení karburátoru, odpojte zapalovací svíčku.
- Servis celého výrobku, kromě úkonů uvedených v části *ÚDRŽBA na strani 63*, musí provést schválený prodejce.
- Zkontrolujte, zda se řetěz pily po uvolnění páčky plynu zastaví.
- Rukojeti udržujte suché, čisté a beze stop oleje nebo palivové směsi.
- Uzávěry a upevňovací prvky musí být řádně dotažené.
- Při použití neschválených náhradních dílů nebo odstranění bezpečnostních zařízení může dojít k poškození výrobku. Může také dojít k možnému zranění obsluhy či osob v okolí. Používejte výhradně příslušenství a náhradní díly podle doporučení. Nemodifikujte výrobek.
- Udržujte pilový řetěz ostrý a čistý, aby byl zaručen bezpečný a vysoký výkon.
- Dodržujte pokyny ohledně mazání a výměny příslušenství.
- Zkontrolujte, zda nejsou díly výrobku poškozené. Před dalším použitím výrobku zkontrolujte, zda poškozený kryt nebo díl funguje správně. Zkontrolujte, zda nejsou přítomny prasklé nebo nesprávně zarovnané díly a díly, které se nepohybují volně. Provéřte další podmínky, které mohou ovlivnit provoz výrobku. Zkontrolujte, zda je výrobek správně smontovaný. Kryt nebo jiné poškozené díly musí opravit či vyměnit schválený prodejce, není-li uvedeno jinak v návodu k používání.
- Pokud není výrobek právě v provozu, uchovávejte jej na suchém, vysoko položeném nebo uzamčeném místě z dosahu dětí.
- Během přemísťování či skladování používejte na výrobek kryt vodící lišty nebo pouzdro.
- Nepoužívejte vyjetý olej. Vyjetý olej může být nebezpečný pro vás a životní prostředí a může poškodit výrobek.

# SESTAVENÍ



**VÝSTRAHA:** Než začnete montovat výrobek, přečtěte si pozorně kapitolu o bezpečnosti.

## Montáž vodící lišty a pilového řetězu

1. Zatažením ochranného krytu levé ruky směrem k přední rukojeti deaktivujete brzdu řetězu.
2. Vyklopte knoflík do otevřené polohy. (Obr. 37 )
3. Otočením knoflíku proti směru hodinových ručiček uvolněte kryt vodící lišty. (Obr. 38 )
4. Odmontujte knoflík (A) a sejměte kryt řetězového kolečka. Sundejte přepravní kryt, pokud je nainstalován. (Obr. 39 )
5. Vložte vodící lištu na šrouby lišty. Posuňte vodící lištu do nejzazší polohy. Umístěte pilový řetěz na hnací řetězové kolo a zaveďte jej do drážky ve vodící liště. Začněte na horní straně vodící lišty. (Obr. 40 )
6. Zkontrolujte, zda břity na řezacích člancích směřují na horním okraji vodící lišty dopředu.
7. Nasadte kryt řetězového kolečka a zasuňte tm napínače řetězu do otvoru ve vodící liště. Zkontrolujte, zda vodící články řetězu správně zapadají do hnacího řetězového kola. Dále zkontrolujte, zda je pilový řetěz řádně instalovaný v drážce vodící lišty. (Obr. 41 )
8. Napněte řetěz pily otočením kolečka dolů (+). Napínejte řetěz, dokud neodstraníte průvės na spodní straně lišty. (Obr. 42 )
9. Řetěz pily je správně napnutý, když není prověšený pod vodící lištou, ale lze jím snadno pohybovat rukou.

10. Podržte špičku vodící lišty nahoře a upevněte ji otáčením knoflíku ve směru hodinových ručiček. (Obr. 43 )

- Po montáži nového pilového řetězu často kontrolujte napnutí řetězu, dokud nebude zaběhnutý.
- Pravidelně kontrolujte napětí řetězu. Správné napnutí řetězu umožňuje dobrý řezný výkon a dlouhou životnost.

## Opětovné nastavení brzdy řetězu

Pokud dojde k náhodnému odstranění krytu spojky, když je brzda řetězu zablokovaná, je nutné brzdu spojky odblokovat, aby bylo možné kryt spojky namontovat a nedošlo při tom k ohnutí bubnu spojky.



**VAROVÁNÍ:** Pružina brzdy řetězu je pod tlakem. Při opětovném nastavování brzdy řetězu postupujte opatrně.

**Povšimněte si:** Při provádění opětovného nastavení brzdy nedržte pás brzdy.

1. Zarovnejte zářezy na nástroji na lištu s otočným spojovacím prvkem brzdy. (Obr. 44 )
2. Chcete-li opětovně nastavit brzdu, otáčejte spojovacím prvkem ve směru hodinových ručiček, dokud se nezastaví. Když je brzda řetězu odblokovaná, bude přední spojovací prvek otočený do dolní polohy. (Obr. 45 ) (Obr. 46 )

# PROVOZ



**VÝSTRAHA:** Než začnete s výrobkem pracovat, přečtěte si důkladně kapitolu o bezpečnosti.

## Používání paliva



**VAROVÁNÍ:** Tento výrobek má dvoutaktní motor. Používejte směs benzínu a motorového oleje. Zajistěte správné množství oleje ve směsi. Nesprávný poměr benzínu a oleje může způsobit poškození motoru.

## Poměr palivové směsi

Poměr palivové směsi benzínu a oleje pro dvoutaktní motory je 50 : 1 (2 %)

Benzín	Olej pro dvoutaktní motory
1 U.S. Gal.	77 ml (2,6 oz)
1 UK Gal.	95 ml (3,2 oz)
5 l	100 ml (3,4 oz)

## Výroba palivové směsi

1. Určete správné množství benzínu a motorového oleje (poměr směsi 50 : 1). Nevyrábějte víc palivové směsi, než kolik potřebujete na 30 dní. Viz *Používání paliva na strani 60*.
2. Nalijte polovinu množství benzínu do čistého kanystru na palivo s plnicím hrdlem s ochranou proti přeplnění.



**VAROVÁNÍ:** Nepoužívejte benzín s koncentrací etanolu vyšší než 10 % (E10). Můžete tím výrobek poškodit.



**VAROVÁNÍ:** Nepoužívejte benzín s oktanovým číslem nižším než 90 RON (87 AKI). Můžete tím výrobek poškodit.

**Povšimněte si:** Pokud výrobek používáte často s průběžně vyššími otáčkami motoru, používejte benzín s vyšším oktanovým číslem.

3. Nalijte do kanystru na palivo celé množství oleje pro dvoutaktní motory.



**VAROVÁNÍ:** Vždy používejte vysoce kvalitní olej pro vzduchem chlazené dvoutaktní motory. Jiné typy olejů mohou způsobit poškození výrobku.

4. Protřepáním směs promíchejte.
5. Nalijte zbývající množství benzínu do kanystru na palivo.
6. Protřepáním směs promíchejte.
7. Doplňte do palivové nádrže výrobku palivovou směs. Viz *Používání paliva na strani 60*.

## Doplňování paliva do palivové nádrže

1. Zkontrolujte, zda je palivová směs správná a zda je palivo v kanystru na palivo s plnicím hrdlem s ochranou proti přeplnění.
2. Pokud je nějaké palivo na kanystru, odstraňte ho a nechte kanystr uschnout.
3. Okolí uzávěru palivové nádrže musí být čisté.
4. Odšroubujte víčko palivové nádrže.
5. Než nalijete palivovou směs do palivové nádrže, protřepejte nádobu s palivem.
6. Našroubujte zpět víčko palivové nádrže.

## Mazání pilového řetězu

Výrobek je vybaven automatickým systémem mazání. Nádržka oleje pro mazání řetězu a nádržka s palivem jsou konstruovány tak, že palivo vytéká před olejem pro mazání řetězu. Tato bezpečnostní funkce vyžaduje používání správného oleje na mazání řetězu a dodržování pokynů.

1. Použijte rostlinný olej na mazání pilového řetězu nebo standardní olej na mazání řetězu.
2. Zkontrolujte, zda je oblast v blízkosti víčka nádrže oleje na mazání pilového řetězu čistá.
3. Odšroubujte víčko nádrže oleje na mazání pilového řetězu.
4. Doplňte do nádrže doporučený olej na mazání pilového řetězu.

5. Zašroubujte víčko nádrže oleje na mazání pilového řetězu.

## Zapnutí a vypnutí

### Před spuštěním motoru

- Zkontrolujte, jestli na výrobek nechybí součásti, nejsou povolené nebo opotřebované.
- Zkontrolujte matice, vruty a šrouby.
- Zkontrolujte vzduchový filtr.
- Zkontrolujte správnou funkci pojistky spínače a spínače.
- Zkontrolujte správnou funkci vypínače zapalování.
- Zkontrolujte, zda z výrobku neuniká palivo.
- Zkontrolujte ostrost a napnutí pilového řetězu.

### Spouštění studeného motoru

1. Posunutím ochranného krytu dopředu aktivujte brzdu řetězu. (Obr. 47 )
2. 6krát stiskněte palivovou pumpičku. (Obr. 48 )
3. Posuňte ovládání sytiče do polohy plného sytiče. (Obr. 49 )
4. Přitiskněte celý výrobek k zemi levou rukou. Vložte pravou nohu do zadní rukojeti, aby byla řetězová pila ve stabilní poloze. Lehce táhněte za rukojeť startéru, až pocítíte odpor. Potom 5x silou zatáhněte za rukojeť startovací šňůry. (Obr. 50 )

**Povšimněte si:** Při startování motoru nemačkejte spínač.

5. Posuňte ovládání sytiče do nulové polohy sytiče.
6. Táhněte za rukojeť lana startéru, až se motor spustí. Po nastartování počkejte 60 sekund a poté zmáčkněte spínač.



**VAROVÁNÍ:** Nevytahujte rukojeť startéru až na doraz. Když je lano startéru zcela vytažené, nepouštějte ho. Pouštějte lano startéru pomalu. Dodržujte tyto pokyny, aby se zabránilo poškození motoru.

7. Zatažením ochranného krytu směrem k přední rukojeti deaktivujete brzdu řetězu.
8. Držte zadní rukojeť v pravé ruce, přední rukojeť v levé.
9. Použijte výrobek.

### Spouštění teplého motoru

1. Posunutím ochranného krytu dopředu aktivujte brzdu řetězu.
2. 6krát stiskněte palivovou pumpičku.
3. Posuňte ovládání sytiče do polohy plného sytiče.
4. Posuňte ovládání sytiče do nulové polohy sytiče.
5. Přitiskněte celý výrobek k zemi levou rukou. Vložte pravou nohu do zadní rukojeti, aby byla řetězová pila ve stabilní poloze. Lehce táhněte za rukojeť startéru,

až pocítíte odpor. Potom zatáhněte za rukojeť startéru silou, než se motor spustí. (Obr. 51)

**Povšimněte si:** Při startování motoru nemačkejte spínač.



**VAROVÁNÍ:** Nevytahujte rukojeť startéru až na doraz. Když je lano startéru zcela vytažené, nepouštějte ho. Pouštějte lano startéru pomalu. Dodržujte tyto pokyny, aby se zabránilo poškození motoru.

6. Zatažením ochranného krytu směrem k přední rukojeti deaktivujete brzdu řetězu.
7. Držte zadní rukojeť v pravé ruce, přední rukojeť v levé.
8. Použijte výrobek.

## Spouštění motoru, když je palivo příliš horké

Pokud výrobek nespouští, může být palivo příliš horké.

**Povšimněte si:** Vždy používejte nové palivo a v teplém počasí zkrátte dobu provozu.

1. Umístěte výrobek na chladné místo chráněné před přímým slunečním světlem.
2. Nechejte výrobek vychladnout minimálně 20 minut.
3. Stiskněte opakovaně palivovou pumpičku po dobu 10 až 15 sekund.
4. Postupujte podle pokynů pro spouštění studeného motoru. Viz *Spouštění studeného motoru na strani 61*.

## Vypnutí motoru

- Stisknutím vypínače zapalování vypnete motor.

**Povšimněte si:** Vypínač se automaticky vrátí do původní polohy.

## Použití zubové opěrky

Zubová opěrka brání zpětnému vrhu a přidržuje pilu na dřevě během řezu. Zubová opěrka je otočným bodem mezi tělem motoru a vodící lištou.

1. Položte dolní část zubové opěrky ve správné šířce závěsu.
2. Zatlačte levou rukou proti přední rukojeti a současně zvedejte zadní rukojeť pravou rukou.
3. Řezajte, dokud nezískáte správnou šířku závěsu.

**Povšimněte si:** Závěs musí mít rovnoměrnou tloušťku.

4. Uřízněte více než polovinu průměru a poté vložte káceci klín do zářezu pily.

## Kácení stromů

1. Odstraňte nečistoty, kameny, volnou kůru, hřebíky, skoby a dráty ze stromu.
2. Vytvořte zářez do 1/3 průměru stromu, kolmo ke směru kácení.(Obr. 52)
3. Vytvořte dolní vodorovný zářez. Tím se zabrání sevření pilového řetězu nebo vodící lišty při vytváření druhého zářezu.
4. Provedte hlavní řez (X) alespoň 50 mm (2 palce) nad vodorovným zářezem. Provádějte hlavní řez rovnoběžně s vodorovným zářezem tak, aby mohla dostatečná část dřeva působit jako závěs. Neřežte dále, než je závěs. Závěs brání kroucení dřeva a pádu v nesprávném směru.(Obr. 53)(Obr. 54)
5. Jak se hlavní řez blíží závěsu, strom začne padat. Zkontrolujte, zda může strom padat ve správném směru a zda se nesváží dozadu a nesevě pilu. Aby se tomu zabránilo, přestaňte řezat před dokončením hlavního řezu. Pomocí dřevěných, plastových nebo hliníkových klínů otevřete řez a nechte strom spadnou v požadované linii pádu stromu.(Obr. 55)
6. Když začne strom padat, vyjměte výrobek z řezu, vypněte motor, položte výrobek a využijte naplánovanou únikovou cestu. Dávejte pozor na padající větve a sledujte, kam šlapete.(Obr. 56)

## Odvětvění stromu

1. Využijte větší větve k přidržování kmene nad zemí.
2. Malé větve odřízněte jedním řezem.(Obr. 57)
3. Větve pod napětím řežte odspodu nahoru, aby se zabránilo přiskřípnutí řetězu pily nebo vodící lišty.

## Řezání kmene na délku



**VAROVÁNÍ:** Řetězová pila nesmí přijít do styku se zemí.

- Pokud je kmen podepírán po celé délce, řežte z horní části kmenu (tzv. řezání shora).(Obr. 58)
- Pokud je kmen podepírán na jednom konci, vytvořte zářez 1/3 průměru ze spodní strany kmenu (tzv. řezání zdola).(Obr. 59)
- Pokud je kmen podepřen na dvou koncích, vytvořte zářez 1/3 průměru shora. Dokončete řez uříznutím dolních 2/3 průměru kmene směrem k prvnímu řezu.(Obr. 60)
- Pokud řežete kmen na délku na svahu, vždy stůjte nad kmenem. Při přeřezávání kmene udržujte úplnou kontrolu nad výrobkem, na konci řezu uvolněte řezací tlak, ale nadále udržujte pevný úchop zadní a přední rukojeti.(Obr. 61)



**VÝSTRAHA:** Než začnete výrobek čistit, opravovat nebo provádět údržbu, přečtěte si důkladně kapitolu o bezpečnosti.

## Schéma technické údržby

Vždy dodržujte plán údržby. Intervaly se vypočítávají z každodenního používání výrobku. Pokud výrobek nepoužíváte každý den, intervaly se liší. Provádějte pouze údržbu, kterou najdete v tomto návodu. Pokud chcete provést údržbu, která není v tomto návodu uvedena, obraťte se na schválené servisní středisko.

## Denní údržba

- Vyčistěte vnější povrchy.
- Zkontrolujte, zda pojistka a spínač fungují správně.
- Vyčistěte brzdu řetězu a zkontrolujte, zda funguje správně.

(Obr. 62 )

- Zkontrolujte, zda není poškozený zachycovač řetězu. Vyměňte poškozený zachycovač řetězu.

(Obr. 63 )

- Denně otáčejte vodící lištu, aby se opotřebovávala rovnoměrně.
- Zkontrolujte, zda není mazací otvor ve vodící liště ucpaný.

(Obr. 64 )

- Vyčistěte drážku vodící lišty.

(Obr. 65 )

- Zkontrolujte, zda jsou vodící lišta a pilový řetěz dostatečně promazané.
- Zkontrolujte pilový řetěz:
  - ohledně prasklin v nýtech a člancích,
  - ohledně nepravidelně opotřebovaných nýtů a článků,
  - ohledně správného napnutí.

V případě potřeby vyměňte pilový řetěz.

- Naostřete pilový řetěz. Viz *Ostření pilového řetězu na strani 64*.
- Zkontrolujte, zda není hnací řetězové kolečko příliš opotřebované a v případě potřeby jej vyměňte.

(Obr. 66 )

- Vyčistěte přívod vzduchu na jednotce startéru.
- Zkontrolujte, zda jsou matice a šrouby dotažené.
- Zkontrolujte, zda vypínač funguje správně.
- Zkontrolujte motor, nádrž a vedení paliva ohledně netěsností.
- Zkontrolujte, zda se pilový řetěz neotáčí při volnoběžných otáčkách motoru.

## <:fc 1>Týdenní údržba<:/fc>

- Zkontrolujte, zda chladicí systém funguje správně.
- Zkontrolujte, zda startér, startovací šňůra a vratná pružina fungují správně.
- Zkontrolujte, zda nejsou poškozené antivibrační prvky.

(Obr. 67 )

- Zbruste veškeré ořepky z hran vodící lišty.
- Vyčistěte nebo vyměňte sítko lapače jisker na tlumiči výfuku.

(Obr. 68 )

- Vyčistěte vnější povrch karburátoru a okolních ploch.
- Vyčistěte vzduchový filtr. Instalujte nový vzduchový filtr, pokud je poškozený nebo příliš znečištěný, že jej není možné vyčistit. Více informací naleznete v části *Čištění vzduchového filtru na strani 64*.

## Měsíční údržba

- Zkontrolujte pás brzdy na brzdě řetězu ohledně opotřebování. Vyměňte pás brzdy, pokud je tloušťka menší než 0,6 mm (0,024 palce) na nejvíce opotřebovaném místě.

(Obr. 69 )

- Zkontrolujte střed spojky, buben spojky a pružinu spojky ohledně opotřebování.
- Vyčistěte zapalovací svíčku. Zkontrolujte, zda je vzdálenost elektrod správná.

(Obr. 70 )

- Vyčistěte vnější povrch karburátoru a okolních ploch.
- Zkontrolujte stav palivového filtru a hadice přívodu paliva. V případě potřeby je vyměňte.
- Vyprázdněte palivovou nádrž.
- Vyprázdněte olejovou nádrž.
- Zkontrolujte všechny elektrické kabely a konektory.

## Roční údržba

- Zkontrolujte zapalovací svíčku.
- Vyčistěte vnější povrch karburátoru a okolních ploch.
- Vyčistěte chladicí systém.
- Zkontrolujte sítko lapače jisker.
- Zkontrolujte palivový filtr.
- Zkontrolujte, zda není poškozená palivová hadice.
- Zkontrolujte všechny elektrické kabely a konektory.

## Periodická údržba

- Ve schváleném servisním středisku nechejte po 50 hodinách provozu opravit nebo vyměnit tlumiči výfuku.
- Proveďte údržbu zapalovací svíčky, pokud:
  - je nízký výkon motoru,

- motor se špatně startuje,
  - motor nefunguje správně ve volnoběžných otáčkách.
- Při každém doplňování paliva zkontrolujte mazání pilového řetězu. Viz *Kontrola mazání pilového řetězu na strani 65*.

## Úprava volnoběžných otáček

Než nastavíte volnoběh, zkontrolujte čistotu vzduchového filtru a to, zda je nasazen kryt vzduchového filtru.

1. Otáčejte stavěcím šroubem označeným písmenem „T“ ve směru hodinových ručiček, dokud se pilový řetěz nezačne otáčet.
2. Otáčejte stavěcím šroubem označeným písmenem „T“ proti směru hodinových ručiček, dokud se pilový řetěz nepřestane otáčet.
3. Volnoběžné otáčky musí být nižší než otáčky, když se pilový řetěz začne pohybovat. Rychlost volnoběhu je správná tehdy, když má motor klidný chod v každé poloze.

## Čištění sítka lapače jisker

1. Vyčistěte sítko lapače jisker drátěným kartáčem.

## Údržba zapalovací svíčky



**VAROVÁNÍ:** Použijte doporučenou zapalovací svíčku. Ujistěte se, že je náhradní díl stejný, jako díl dodaný výrobcem. Nesprávná zapalovací svíčka může výrobek poškodit.

1. Pokud nelze výrobek snadno spustit či používat, zkontrolujte, zda se na zapalovací svíčke nenachází nechtěné materiály. Pro snížení nebezpečí přítomnosti nechtěných materiálů na elektrodách zapalovací svíčky:
  - a) zkontrolujte, zda jsou správně nastaveny volnoběžné otáčky;
  - b) zkontrolujte správnost palivové směsi;
  - c) zkontrolujte, zda je vzduchový filtr čistý.
2. Pokud je zapalovací svíčka znečištěná, vyčistěte ji. Zkontrolujte, zda je vzdálenost elektrod správná. (Obr. 71 )
3. V případě potřeby zapalovací svíčku vyměňte.

## Čištění vzduchového filtru

1. Odmontujte kryt vzduchového filtru a vzduchový filtr.
2. Vyčistěte filtr teplou mýdlovou vodou. Před montáží zkontrolujte, že je vzduchový filtr suchý.
3. Pokud je vzduchový filtr tak znečištěný, že jej nelze vyčistit, vyměňte ho. Poškozený vzduchový filtr vždy vyměňte.

## Ostření pilového řetězu

### Řezací článek

Řezná část řetězu pily se nazývá řezací článek a skládá se z řezacího zubu (A) a břitu omezovacího zubu (B). Hloubka řezu řezacího článku je vytvořena výškovým rozdílem mezi dvěma nastaveními omezovacího zubu (C).

(Obr. 72 )

Při broušení řezacího zubu musíte mít na paměti čtyři důležité faktory:

- Úhel broušení.

(Obr. 73 )

- Úhel břítu.

(Obr. 74 )

- Poloha pilníku.

(Obr. 75 )

- Průměr pilníku.

(Obr. 76 )

### Ostření řezacího zubu

Pomocí kulatého pilníku a vodítka pilníku naostřete řezací zuby. Informace o doporučeném rozměru pilníku a vodítka pilníku pro daný pilový řetěz instalovaný na vašem výrobku naleznete v části *Pilování řetězu pily a kombinace pilových řetězů na strani 67*.

1. Zkontrolujte, zda je pilový řetěz správně napnutý. Uvolněný řetěz se uhýbá do stran, což znesnadňuje jeho správné nabroušení.
2. Nejprve naostřete všechny zuby na jedné straně. Řezací zuby vždy ostřete zevnitř směrem ven a při zpětném tahu snižte tlak na pilník.
3. Otočte výrobek a naostřete zuby na druhé straně.
4. Nabruste všechny zuby na stejnou délku. Když je délka řezacích zubů menší než 4 mm (5/32"), řetěz pily je opotřebovaný a je nutno jej vyměnit. (Obr. 77 )

### Nastavení výšky omezovacího zubu

Před nastavením výšky omezovacích zubů naostřete řezací zuby. Viz *Ostření řezacího zubu na strani 64*. Při ostření řezacích zubů (A) zmenšujete vůli omezovacích zubů (C) (hloubku řezu). Abyste udrželi řezný výkon, musíte zbrousit omezovací zuby (B) na doporučenou výšku. Správné nastavení výšky omezovacích zubů pro váš řetěz naleznete v části *Pilování řetězu pily a kombinace pilových řetězů na strani 67*.

(Obr. 78 )

(Obr. 79 )

**Povšimněte si:** Toto doporučení předpokládá, že délka řezacích zubů není nadměrně zmenšena.

Pomocí plochého pilníku a měřky snižení omezovacích zubů upravte výšku omezovacích zubů.



1. Položte měrku snížení omezovacích zubů nad pilový řetěz. Informace o používání měrky snížení omezovacích zubů naleznete na obalu.
2. Pomocí plochého pilníku odpilujte nadměrně přesahující část bříty omezovacích zubů. Vůle omezovacích zubů je správná, když při protahování pilníku přes vodítko nebudete cítit žádný odpor.

## Napnutí pilového řetězu

**Povšimněte si:** Během zabíhání nového pilového řetězu často kontrolujte jeho napnutí.

1. Povolte matice vodící lišty, které přidržují kryt řetězového kolečka. Použijte kombinovaný klíč. (Obr. 80 )
2. Utáhněte co nejvíce rukou matice vodící lišty.
3. Zdvihněte horní část vodící lišty a napněte pilový řetěz utahováním šroubu napínače řetězu. Použijte kombinovaný klíč. Napínejte pilový řetěz, dokud neodstraníte průvės na dolní straně vodící lišty. (Obr. 81 )
4. Zdvihněte špičku vodící lišty a dotáhněte matice vodící lišty pomocí kombinovaného klíče. (Obr. 82 )
5. Zkontrolujte, zda lze volně táhnout pilovým řetězem po liště a zda není prověšený. (Obr. 83 )

## Mazání řezacího vybavení

### Kontrola mazání pilového řetězu

Při každém doplňování paliva zkontrolujte mazání řetězové pily.

1. Nastartujte výrobek a nechte jej běžet 3/4 rychlostí. Namiřte špičku vodící lišty na světlý povrch ze vzdálenosti přibližně 20 cm (8 palců).
2. Po 1 minutě se na světlém povrchu objeví olejová čára.
3. Pokud se po 1 minutě nevytvoří olejová čára, vyčistěte olejový kanálek ve vodící liště. Vyčistěte drážku na hraně vodící lišty. Zkontrolujte, zda se vodící kolečko na špičce lišty volně otáčí a zda není ucpaný mazací otvor. Vyčistěte a promažte vodící kolečko na špičce lišty.
4. Nastartujte výrobek a nechte jej běžet 3/4 rychlostí. Namiřte špičku vodící lišty na světlý povrch ze vzdálenosti přibližně 20 cm (8 palců).
5. Po 1 minutě se na světlém povrchu objeví olejová čára.
6. Pokud se po 1 minutě nevytvoří olejová čára, obraťte se na schváleného prodejce.

## PŘEPRAVA

- Před přepravou vyprázdněte palivovou nádrž a nádrž oleje na mazání řetězu. Použité kapaliny zlikvidujte řádným způsobem.
- Před přepravou nasuňte kryt vodící lišty na řezací vybavení. To zabrání nahodilému kontaktu osob s ostrým pilovým řetězem. Nepoužívaný pilový řetěz může způsobit zranění vám nebo jiným osobám, které s ním přijdou do styku.
- Před přepravou odpojte koncovku kabelu zapalovací svíčky a aktivujte brzdu řetězu.
- Zajistěte, aby se výrobek nemohl při přepravě pohybovat.

## SKLADOVÁNÍ

- Vždy, když nepoužíváte výrobek, uložte jej na bezpečné místo. Uniklé kapaliny a plyny mohou přijít do styku s jiskrami, otevřeným ohněm z elektrických zařízení, elektrických sekaček, relé/přepínačů, kotlů a jiných zařízení.
- Vždy skladujte palivo ve schváleném kanystru.
- Pokud má být výrobek uskladněn na dlouhou dobu, vyprázdněte palivovou nádrž a nádrž oleje na mazání řetězu. Použité kapaliny zlikvidujte řádným způsobem.
- Před uskladněním nasadte na vodící lištu kryt vodící lišty. To zabrání nahodilému kontaktu osob s ostrým pilovým řetězem. Nepoužívaný pilový řetěz může způsobit vážné zranění vám nebo jiným osobám, které s ním přijdou do styku.
- Před uskladněním odpojte koncovku kabelu zapalovací svíčky a aktivujte brzdu řetězu.

## TECHNICKÉ ÚDAJE

	jednotka	120 Mark II (P02138HV)
<b>Vlastnosti motoru</b>		
Zdvihový objem válce	cm <sup>3</sup>	38

	<b>jednotka</b>	<b>120 Mark II (P02138HV)</b>
Zapalovací svíčka		Champion RCJ7Y
Vzdálenost elektrod	mm (palce)	0,5 (0,02)
Objem palivové nádrže	cm <sup>3</sup>	300
Volnoběžné otáčky	min <sup>-1</sup>	2800–3200
Výstupní výkon při 9000 min <sup>-1</sup>	kW	1,4
Životnost vzhledem k tvorbě emisí	h	50
<b>Údaje o hluku a vibracích</b>		
Ekvivalentní hladiny vibrací, a <sub>hveq</sub> , přední rukojeť <sup>16</sup>	m/s <sup>2</sup>	4,5
Ekvivalentní hladiny vibrací, a <sub>hveq</sub> , zadní rukojeť <sup>17</sup>	m/s <sup>2</sup>	6,0
Hladina akustického výkonu, zaručená (L <sub>WA</sub> ) <sup>18</sup>	dB (A)	116
Hladina akustického výkonu, změřená <sup>19</sup>	dB (A)	110
Hladina akustického tlaku v úrovni uší obsluhy <sup>20</sup>	dB (A)	95
<b>Rozměry produktu</b>		
Hmotnost (bez sekacího ústrojí)	kg	4,9
Objem olejové nádrže	cm <sup>3</sup>	200
<b>Palivový a mazací systém</b>		
Kapacita olejového čerpadla při 9000 min <sup>-1</sup>	ml/min	7
Objem olejové nádrže	cm <sup>3</sup>	200
Typ olejového čerpadla		Automatická
<b>Pilový řetěz a vodící lišta</b>		
Standardní délka vodící lišty	cm (palce)	35–40 (14–16)
Doporučená délka vodící lišty	cm (palce)	35–45 (14–18)
Využitelná délka řezu	cm (palce)	34–39 (13,5–15,5)
Maximální rychlost pilového řetězu	m/s	22,3
Rozteč pilového řetězu	mm (palce)	8,3 (0.325)
		9,52 (3/8)
Tloušťka vodících článků (šířka)	mm (palce)	1,3 (0,05)

<sup>16</sup> Ekvivalentní hladiny vibrací, podle normy ISO 22867, se počítá jako časově vážená celková energie pro hladiny vibrací za různých pracovních podmínek. Uváděná data pro ekvivalentní hladinu vibrací mají typickou statistickou odchylku (standardní odchylku) 1 m/s<sup>2</sup>.

<sup>17</sup> Ekvivalentní hladina vibrací, podle normy ISO 22867, se počítá jako časově vážená celková energie pro hladiny vibrací za různých pracovních podmínek. Uváděná data pro ekvivalentní hladinu vibrací mají typickou statistickou odchylku (standardní odchylku) 1 m/s<sup>2</sup>.

<sup>18</sup> Emise hluku do okolí naměřené jako akustický výkon (L<sub>WA</sub>).

<sup>19</sup> Emise hluku do okolí naměřené jako akustický výkon (L<sub>WA</sub>).

<sup>20</sup> Ekvivalentní hladina akustického tlaku se počítá jako časově vážená celková energie pro různé hladiny akustického tlaku za různých pracovních podmínek. Typická statistická odchylka pro ekvivalentní hladinu akustického tlaku je standardní odchylka 1 dB(A).

	<b>jednotka</b>	<b>120 Mark II (P02138HV)</b>
Typ hnacího řetězového kola		Ozubené kolečko
Počet zubů hnacího řetězového kola		6 (řetězového kola 3/8) 7 (řetězového kola 0,325)

## PŘÍSLUŠENSTVÍ

### Kombinace vodící lišty a pilového řetězu

Níže uvedená řezací vybavení jsou schválena pro výrobek.

Vodící lišta				Pilový řetěz	
Délka, cm (palce)	Rozteč, mm (palce)	Výška omezovacích zubů, mm (palce)	Maximální poloměr špičky	Typ	Počet vodících článků
33 (13)	8,25 (0,325)	1,3 (0,050)	10T	Husqvarna H30	56
38 (15)	8,25 (0,325)				64
35 (14)	9,52 (3/8)		7T	Husqvarna H37	52
40 (16)	9,52 (3/8)				56
45 (18)	9,52 (3/8)				62

### Pilování řetězu pily a kombinace pilových řetězů

Pilový řetěz					
Typ řetězu	Velikost kulatého pilníku	Úhel bočního břítu	Úhel horního břítu	Úhel vodítka pilníku	Nastavení výšky omezovacího zubu
H30	4,8 mm / 3/16 palce	60°	30°	10°	0,65 mm / 0,025 palce
H37	4,0 mm / 5/32 palce	60°	30°	0°	0,65 mm / 0,025 palce

## OBSAH PROHLÁŠENÍ O SHODĚ EU

My, společnost Husqvarna AB, SE 561 82 Huskvarna, ŠVÉDSKO, zcela zodpovědně prohlašujeme, že příslušný výrobek:

Popis	Benzínová motorová pila
Značka	Husqvarna
Platforma / typ / model	Platforma P02138HV, příslušný model 120 Mark II
Šarže	Výrobní číslo od ro- ku 2018 a dále

je zcela ve shodě s následujícími směrnicemi a předpisy EU:

Směrnice/předpis	Popis
2006/42/ES	„o strojních zařízeních“
2014/30/EU	„o elektromagnetické kompatibilitě“
2000/14/EC	„o venkovním hluku“

Platí následující harmonizované normy a/nebo technické specifikace: EN ISO 12100, EN ISO 11681-1, CISPR 12, ISO 14982

Deklarované úrovně hluku jsou uvedeny v části s technickými údaji této příručky a podepsaném prohlášení o shodě EU ve shodě se směrnicí 2000/14/ES, příloha V.

Společnost TÜV Rheinland LGA Products GmbH, ohlašovací úřad pro zařízení (ohlášeno pod číslem 0197), Tillystraße 2 – 90431 Norimberk, Německo, provedla typovou zkoušku ES podle směrnice 2006/42/ES, článek 12, odstavec 3b.

Certifikát o typové zkoušce podle přílohy IX, který je poskytnut na podepsaném prohlášení o shodě, se vztahuje na všechny výrobní závody a země původu uvedené na produktu.

Tato motorová pila je shodná se vzorkem, který prošel typovou zkouškou ES.

---

## Indhold

---

INDLEDNING.....	69	TRANSPORT.....	79
SIKKERHED.....	70	OPBEVARING.....	79
MONTERING.....	74	TEKNISKE DATA.....	80
DRIFT.....	74	TILBEHØR.....	81
VEDLIGEHOLDELSE.....	77	INDHOLD I EF- OVERENSSTEMMELSESERKLÆRING.....	81

---

## INDLEDNING

---

### Brugervejledning

Det oprindelige sprog i denne brugervejledning er engelsk. Brugervejledninger på andre sprog er oversættelser fra engelsk.

### Oversigt

(Fig. 1 )

1. Produkt- og serienummerskilt
2. Udløserlås
3. Forreste håndtag
4. Cylinderdæksel
5. Kædebremse med kastbeskyttelse
6. Lyddæmper
7. Barkstøtte
8. Sværdspidsens kædehjul
9. Højrehåndsbeskyttelse
10. Udløser
11. Kædehjulsdæksel
12. Kædefanger
13. Sværd
14. Savkæde
15. Starthåndtag
16. Kædeolietank
17. Starter
18. Brændstofftank
19. Chokerhåndtag
20. Bageste håndtag
21. Stopkontakt
22. Justerskrue til tomgang
23. Spædepumpe
24. Informations- og advarselmærkat
25. Kædestrammerskrue
26. Sværdæksel
27. Kombinationsværktøj
28. Totaktolie
29. Brugsanvisning (EPA)

### Symboler på produktet

- (Fig. 2 ) Advarsel
- (Fig. 3 ) Læs denne vejledning
- Brug godkendt sikkerhedshjelm, høreværn og øjenværn
- (Fig. 4 )
- (Fig. 5 ) Brug godkendte beskyttelseshandsker
- Produktet er i overensstemmelse med gældende EF-direktiver
- (Fig. 6 )
- (Fig. 7 ) Lydeffektniveau
- Kædebremse, ikke aktiveret (venstre)
- (Fig. 8 ) Kædebremse, aktiveret (højre)
- (Fig. 9 ) Chokerhåndtag
- (Fig. 10 ) Spædepumpe
- (Fig. 11 ) Påfyldning af brændstof
- (Fig. 12 ) Påfyldning af kædeolie
- Produktet er i overensstemmelse med gældende EAC-direktiver
- (Fig. 13 )
- Produktet er i overensstemmelse med gældende ukrainske direktiver.
- (Fig. 14 )
- (Fig. 15 ) Støjniveau
- Hold godt fast i produktet med begge hænder
- (Fig. 16 )
- (Fig. 17 ) Brug det ikke med én hånd
- (Fig. 18 ) Undgå kontakt med spidsen af sværdet
- (Fig. 19 ) Pas på kast

Dette produkt er i overensstemmelse med gældende australske og newzealandske bestemmelser vedrørende elektromagnetisk kompatibilitet

(Fig. 20)

**Bemærk:** Andre symboler/mærkater på produktet henviser til certificeringskrav i andre handelsområder.

- produktet er forkert repareret
- produktet er repareret med dele, der ikke er fra producenten eller ikke er godkendt af producenten
- produktet har tilbehør, der ikke er fra producenten eller ikke er godkendt af producenten.
- produktet ikke er repareret på et godkendt servicecenter eller af en godkendt myndighed.

## Produktansvar

Som nævnt i produktansvarsbestemmelserne hæfter vi ikke for skader forårsaget af vores produkt, hvis:

# SIKKERHED

## Sikkerhedsdefinitioner

Definitionerne nedenfor angiver alvorligheden for hvert enkelt signalord.



**ADVARSEL:** Skade på personer.



**BEMÆRK:** Beskadigelse af produktet.

**Bemærk:** Disse oplysninger gør det lettere at bruge produktet.

## Generelle sikkerhedsinstruktioner

- Brug produktet korrekt. Forkert brug kan medføre personskader eller dødsfald. Brug kun produktet til de opgaver, der angives i denne vejledning. Brug ikke produktet til andre opgaver.
- Læs, forstå og overhold instruktionerne i denne vejledning. Overhold sikkerhedssymboler og sikkerhedsinstruktioner. Hvis operatøren ikke følger vejledningen og symbolerne, kan det medføre personskader, beskadigelse eller dødsfald.
- Smid ikke denne vejledning ud. Brug vejledningen til at samle, betjene og vedligeholde dit produkt. Brug vejledningen til korrekt montering af udstyr og tilbehør. Brug kun godkendt udstyr og tilbehør.
- Brug ikke et beskadiget produkt. Overhold vedligeholdelseskemaet. Udfør kun det vedligeholdelsesarbejde, du kan finde vejledning til i denne vejledning. Et godkendt servicecenter skal udføre alt andet vedligeholdelsesarbejde.
- Denne vejledning beskriver ikke alle situationer, der kan opstå, når du bruger produktet. Vær forsigtig og brug din sunde fornuft. Du må ikke bruge produktet eller foretage vedligeholdelse på produktet, hvis du ikke er sikker på, hvad du skal gøre. Snak med en produktexperts, forhandler, serviceværksted eller godkendt servicecenter for at få mere at vide.
- Fjern kablet fra tændrøret, før du samler produktet, sætter produktet til opbevaring eller foretager vedligeholdelse.
- Brug ikke produktet, hvis det er blevet ændret fra den oprindelige specifikation. Du må ikke ændre dele af produktet uden producentens godkendelse. Brug kun reservedele, der er godkendt af producenten. Forkert vedligeholdelse kan medføre personskader eller dødsfald.
- Indånd ikke dampe fra motoren. Indåndning af motorens udstødningsgas, kædeolietåge og savsmuld i en længere periode kan udgøre en sundhedsrisiko.
- Start ikke produktet indendørs eller i nærheden af brandfarligt materiale. Udstødningsgasserne er varme og kan indeholde gnister, der kan starte en brand. Uden tilstrækkelig luftstrømning kan kvælning og kulilte føre til dødsfald eller personskade.
- Dette produkt danner et elektromagnetisk felt under drift. Det elektromagnetiske felt kan beskadige medicinske implantater. Tal med din læge og producenten af det medicinske implantat, før du betjener produktet.
- Lad ikke børn betjene produktet.
- Lad ikke en person uden kendskab til vejledningen betjene produktet.
- Hold altid øje med personer med nedsat fysisk eller mental kapacitet, der bruger produktet. En voksen skal være til stede hele tiden.
- Lås produktet i områder, hvor børn og ikke-autoriserede personer ikke kan få adgang.
- Produktet kan slynge genstande ud og forårsage skader. Overhold sikkerhedsinstruktionerne for at mindske risikoen for personskader eller dødsfald.
- Du må ikke gå væk fra produktet, når motoren er tændt. Stop motoren, og sørg for, at kæden ikke kører rundt.
- Brugeren af produktet er ansvarlig, hvis der sker et uheld.
- Sørg for, at delene ikke er beskadigede, før du bruger produktet.
- Se nationale eller lokale love. Visse love kan forhindre eller mindske brugen af produktet under nogle forhold.

## Sikkerhedsinstruktioner for drift

- Vedvarende eller regelmæssig brug af produktet kan forårsage "hvide fingre" eller tilsvarende medicinske problemer på grund af vibrationer. Hold øje med dine hænder og fingre, hvis du betjener produktet vedvarende eller regelmæssigt. Hvis dine hænder eller fingre har misfarvning, gør ondt, snurrer eller er følelsesløse, skal du stoppe arbejdet og tale med en læge med det samme.
- Sørg for, at produktet er helt samlet, før du bruger det.
- Produktet kan forårsage, at genstande slynges ud, hvilket kan forårsage skader på øjnene. Anvend altid godkendt øjenværn ved betjening af produktet.
- Vær opmærksom på, at børn kan komme i nærheden af produktet, uden at du ved det, når du betjener produktet.
- Betjen ikke produktet, hvis der er personer i arbejdsområdet. Stop produktet, hvis en person går ind i arbejdsområdet.

(Fig. 21 )

- Sørg for, at du altid har kontrol over produktet.
- Produktet skal betjenes med to hænder. Brug ikke produktet med kun én hånd. Brugeren, kollegaer, tilskuere eller en kombination af disse kan komme alvorligt til skade ved betjening med én hånd.
- Hold det forreste håndtag med venstre hånd og det bageste håndtag med højre hånd. Hold produktet på højre side af kroppen.

(Fig. 22 )

- Brug aldrig produktet, hvis du er træt, syg eller påvirket af alkohol, narkotika eller medicin.
- Brug ikke produktet, hvis du ikke kan få hjælp i tilfælde af en ulykke. Sørg altid for, at andre ved, at du betjener produktet, før du starter det.
- Drej ikke med produktet, før du sikrer dig, at ingen mennesker eller dyr er i sikkerhedsområdet.
- Fjern alle uønskede materialer fra arbejdsområdet, før du går i gang. Hvis kæden rammer en genstand, kan genstanden blive slynget af sted og forårsage personskade eller skader. Uønsket materiale kan vikle sig rundt om kæden og forårsage skader.
- Brug ikke produktet i dårligt vejr, såsom tåge, regn, hård vind, risiko for lynnedslag eller andre vejrforhold. Farlige situationer, f.eks. glatte overflader, kan forekomme som følge af dårligt vejr.
- Sørg for, at du kan bevæge sig frit og arbejde i en stabil stilling
- Sørg for, at du ikke kan falde, når du bruger produktet. Stå ikke skråt, når du bruger produktet.
- Hold altid produktet med to hænder. Hold det forreste håndtag med venstre hånd og det bageste håndtag med højre hånd. Hold produktet på højre side af kroppen.
- Hvis chokerhåndtaget er i chokerpositionen, når motoren starter, begynder kæden at dreje.
- Stop motoren, før du flytter produktet.

- Sæt ikke produktet ned, mens motoren er tændt.
- Stands motoren, før du fjerner uønskede materialer fra produktet. Sørg for, at kæden er stoppet, før du eller en hjælper fjerner det afskærte materiale.
- Du må ikke bruge dette produkt oppe i et træ. Betjening af produktet oppe i et træ kan resultere i personskade.

(Fig. 23 )

- Kædebremsen skal være aktiveret, når produktet startes for at mindske risikoen for, at savkæden rammer dig under start.

(Fig. 24 )

- Undgå kast, skating, hoppen og fald, som kan medføre alvorlig personskade.
- Overhold alle sikkerhedsanvisninger for at undgå kast og andre hændelser, der kan medføre alvorlig personskade.
- Juster savkædens spænding regelmæssigt for at sikre, at savkæden ikke bliver slap. En slap savkæde kan hoppe af og forårsage alvorlig personskade eller dødsfald.
- Undlad at fælde træer med en forkert fremgangsmåde. Det kan resultere i personskade, at træet ramme en elledning eller forårsage skader på ejendom.
- Brugeren skal holde sig på terrænets opadvendte side, da træet sandsynligvis ruller eller glider nedad, når det fældes.

(Fig. 25 )

- Planlæg og ryd en flugtrute, inden du går i gang med at save. Flugtruten skal gå bagud og diagonalt bagud i forhold til den forventede faldlinje.

(Fig. 26 )

- Stands altid motoren, inden du flytter produktet fra et træ til det næste.
- Sørg for at have fødderne fast plantet på jorden, og fordel din vægt jævnt.

(Fig. 27 )

- Sørg altid for at have ordentligt fodfæste, og betjen kun produktet, når du står på et fast, sikkert og plant underlag. Glatte eller ustabile overflader, f.eks. stiger, kan medføre, at du mister balancen eller kontrollen.

(Fig. 28 )

### Kast, skating, hoppen og fald

Forskellige kræfter kan have indflydelse på sikker kontrol af produktet.

- **Skating** er, når sværdet glider eller bevæger sig hurtigt på tværs af træet.
- **Hoppen** er, når sværdet løfter sig fra træet og rammer det igen og igen.
- **Fald** er, når produktet falder ned, efter snittet er lavet. Det kan medføre, at den roterende kæde berører en del af kroppen eller andre genstande, hvilket resulterer i personskade eller beskadigelse.

- **Kast** er, når enden af sværdet rammer en genstand og rykker sig bagud, opad eller fremad med et ryk. Kast sker også, når træet lukker sig og klemmer savkæden under savningen. Tab af kontrol kan forekomme, hvis produktet rammer en genstand i træet.

(Fig. 29)

- **Hvirvlende kast** kan ske, når kæden i bevægelse rammer en genstand på spidsen af sværdet. Det får kæden til at grave sig ind i genstanden, hvilket får kæden til omgående at standse. Resultatet er en meget hurtig reaktion i modsat retning, som flytter sværdet op og bagud i retning af brugeren.

(Fig. 30)

(Fig. 31)

- **Klæmningskast** kan forekomme, når kæden pludselig stopper under savningen. Træet lukker sig og klemmer savkæden i bevægelse langs spidsen af sværdet. Den pludselige standsning af kæden vender kædekraften og får produktet til at bevæge sig i den modsatte retning af kædens drejning. Produktet bevæger sig bagud i retning af brugeren.

(Fig. 32)

- **Træk** kan forekomme, når savkæden pludselig stopper, når kæden i bevægelse rammer en genstand i træet langs bunden af sværdet. Det pludselige stop trækker produktet fremad og væk fra brugeren, hvilket nemt kan føre til, at brugeren mister herredømmet over produktet.

(Fig. 33)

Sørg for, at du forstår de forskellige kræfter, og hvordan du kan forebygge dem, inden du begynder at betjene produktet.

## Sådan undgås kast, skating, hoppen og fald

- Hold godt fast i produktet, når motoren kører. Sæt højre hånd på det bageste håndtag og venstre hånd på det forreste håndtag. Hold godt fast med tommelfingre og fingre omkring håndtagene. Slip ikke.
- Hold produktet under kontrol, mens der saves, og mens træet falder til jorden. Lad ikke vægten af produktet falde ned efter savningen.(Fig. 34)
- Sørg for, at det område, hvor du skal save, er fri for blokeringer. Lad ikke spidsen af sværdet røre stammer, grene eller andre blokeringer under betjening af produktet.
- Sav med høje motoromdrejninger.
- Stræk dig ikke under arbejdet, og sav ikke over skulderhøjde.(Fig. 35)
- Følg producentens file- og vedligeholdelsesanvisninger for savkæden.
- Brug kun sværd og savkæder ved udskiftning, som er godkendt af producenten.

- Hvis ryttermålet er for stort, øges savkædens risiko for kast.

## Personligt beskyttelsesudstyr

- Brug altid korrekt personligt beskyttelsesudstyr, når du bruger produktet. Personligt beskyttelsesudstyr fjerner ikke risikoen for skader. Personligt beskyttelsesudstyr mindsker eventuelle skader, hvis der sker et uheld.
- Beklædningen bør i øvrigt være tætsiddende, dog uden at hæmme din bevægelsesfrihed.
- Brug en godkendt beskyttelseshjelm.
- Brug altid godkendt høreværn, når du bruger produktet. Støj over længere perioder kan forårsage høretab.
- Brug sikkerhedsbriller eller ansigtssvævn for at reducere risikoen for skader, der skyldes genstande, der slynges ud. Produktet kan slynge genstande såsom savspåner, små træstykker osv. ud med stor kraft. Dette kan medføre alvorlig skade, især på øjnene.
- Brug handsker med kædesavsbeskyttelse.
- Brug bukser med kædesavsbeskyttelse.
- Brug støvler med kædesavsbeskyttelse, stål-næser og skridsikre såler.
- Sørg for, at du har en førstehjælpskasse i nærheden.
- Der kan komme gnister ud af lyd-dæmperen, sværdet, savkæden og andre kilder. Hav altid brandslukningsudstyr og en skovl ved hånden som hjælp til at forebygge skovbrande.

## Beskyttelsesanordninger på produktet

- Sørg for, at du regelmæssigt foretager vedligeholdelse af produktet.
  - Levetiden for produktet øges.
  - Risikoen for ulykker mindskes.

Lad en godkendt forhandler eller et godkendt servicecenter regelmæssigt undersøge produktet og udføre justeringer eller reparationer.

- Brug ikke et produkt, hvis beskyttelsesudstyret er beskadiget. Hvis produktet er beskadiget, skal du kontakte et godkendt servicecenter.

## Stopkontakt

Start motoren. Sørg for, at motoren stopper, når stopkontakten sættes i stopposition.

## Sådan undersøges gasreguleringslåsen

1. Sørg for, at udløseren (B) er låst i tomgang, når du slipper udløserlåsen (A).(Fig. 36)
2. Skub udløserlåsen (A) og sørg for, at den går tilbage til sin oprindelige position, når du slipper den.
3. Tryk på udløseren (B) og sørg for, at den går tilbage til sin oprindelige position, når du slipper den.
4. Start motoren og giv fuld gas.



5. Slip udløseren og undersøg, om savkæden standser.
6. Undersøg karburatorens tomgangsjusteringsskrue, hvis savkæden drejer, når motoren er i tomgang.

### Afskærmning

Afskærmningen forhindrer genstande i at blive kastet ud i retning af brugeren. Afskærmningen forhindrer også utilsigtet kontakt mellem brugeren og kæden.

- Sørg for, at afskærmningen er tilladt til brug i kombination med produktet.
- Undlad at bruge produktet uden skærmen.
- Sørg for, at afskærmningen er intakt. Udskift afskærmningen, hvis den er beskadiget eller har revner.

### Brændstofsikkerhed

- Start ikke produktet, hvis der er brændstof eller motorolie på produktet. Fjern uønsket brændstof/olie og lad produktet tørre. Fjern uønsket brændstof fra produktet.
- Hvis du får brændstof på dit tøj, skal du skifte tøj med det samme.
- Undgå at få brændstof på kroppen, da det kan forårsage personskader. Hvis du får brændstof på kroppen, skal du bruge sæbe og vand til at fjerne brændstoffet.
- Start ikke motoren, hvis du får olie eller brændstof på produktet eller på din krop.
- Start ikke produktet, hvis motoren lækker. Undersøg regelmæssigt motoren for lækager.
- Vær forsigtig med brændstof. Brændstof er letantændeligt og dampe er eksplosive og kan medføre personskader eller dødsfald.
- Undgå at indånde brændstofdampene, da det kan forårsage personskader. Sørg for, at der er tilstrækkelig luftstrøm.
- Ryg ikke i nærheden af brændstof eller motor.
- Anbring ikke varme genstande i nærheden af brændstof eller motor.
- Fyld ikke brændstof på, når motoren er tændt.
- Sørg for, at motoren er afkølet, inden du fylder brændstof på.
- Før du fylder brændstof på, skal du åbne brændstoftankens dæksel langsomt og forsigtigt udløse trykket.
- Fyld ikke brændstof på motoren i et indendørs område. Utilstrækkelig med luftstrøm kan forårsage personskader eller dødsfald på grund af kvælning eller kulilte.
- Spænd dækslet på brændstoftanken omhyggeligt, ellers kan der opstå brand.
- Flyt produktet minimum 3 m fra det sted, hvor du fyldte tanken, før du starter det.
- Fyld ikke for meget brændstof i brændstoftanken.

- Sørg for, at der ikke er lækager, når du flytter produktet eller brændstofdunken.
- Anbring ikke produktet eller en brændstofdunk på steder med åben ild, gnister eller tændflammer. Sørg for, at der ikke er åben ild i opbevaringsområdet.
- Brug kun godkendte tanke, når du flytter brændstoffet eller sætter det til opbevaring.
- Tøm brændstoftanken før langtidsopbevaring. Overhold lokal lovgivning om bortskaffelse af brændstof.
- Rengør produktet før langtidsopbevaring.
- Fjern kablet fra trædrøret inden opbevaring for at sikre, at motoren ikke starter utilsigtet.

### Sikkerhedsinstruktioner for vedligeholdelse

- Afmonter trædrøret, før der udføres vedligeholdelse på produktet, dog undtaget karburatorjusteringer.
- Alt servicearbejde skal udføres af en godkendt forhandler, dog undtaget opgaver i *VEDLIGEHODELSE på side 77*.
- Sørg for, at savkæden holder op med at bevæge sig, når gasreguleringen slippes.
- Hold håndtagene tørre, rene og fri for olie og brændstof.
- Sørg for, at hætter og fastgørelsesanordninger altid er korrekt spændt.
- Reservedele, der ikke er godkendt, samt fjernelse af sikkerhedsanordninger kan forårsage beskadigelse af produktet. Det kan også forårsage personskade hos brugeren eller andre personer i nærheden. Brug kun originalt tilbehør og reservedele som anbefalet. Undlad at ændre produktet.
- Hold savkæden skarp og ren, så du får sikker og høj ydeevne.
- Følg vejledningen for smøring og udskiftning af tilbehør.
- Undersøg produktet for beskadigede dele. Inden yderligere brug af produktet skal det sikres, at den beskadigede afskærmning eller del fungerer korrekt. Se efter, om der er dele, der er knækket, er ude af justering eller som ikke bevæger sig frit. Se efter andre forhold, der kan have betydning for betjeningen af produktet. Sørg for, at produktet er korrekt monteret. En afskærmning eller andre beskadigede dele skal repareres eller udskiftes af en autoriseret forhandler, medmindre andet fremgår af brugervejledningen.
- Når produktet ikke bruges, skal det opbevares et tørt, højt eller låst sted, som er utilgængeligt for børn.
- Brug en skede eller en kasse til sværdet under transport og opbevaring af produktet.
- Brug aldrig spildolie. Spildolie kan både være skadeligt for dig og ødelægge produktet og miljøet.

# MONTERING



**ADVARSEL:** Læs og forstå kapitlet om sikkerhed, før du monterer produktet.

## Sådan monteres sværdet og savkæden.

1. Flyt kastbeskyttelsen i retning af det forreste håndtag for at deaktivere kædebremsen.
2. Fold grebet ud til åben position. (Fig. 37 )
3. Drej grebet mod uret for at løsne sværdækslet.(Fig. 38 )
4. Fjern grebet (A) og kædehjulsdækslet. Fjern transportafskærmningen, hvis monteret. (Fig. 39 )
5. Sæt sværdet over sværdboltene. Styr sværdet ind i den bageste position. Placer kæden over drivhjulet og sæt den i indgreb i sporet på sværdet. Start på sværdets overside. (Fig. 40 )
6. Sørg for, at æggene på skæreleddene vender fremad på sværdets overside.
7. Montér kædehjulsdækslet, og indsæt kædejusteringstappen i hullet i sværdet. Sørg for, at kædens drivled sidder perfekt på drivhjulet. Sørg også for, at savkæden går korrekt i indgreb i sporet i sværdet. (Fig. 41 )
8. Stram savkæden ved at dreje hjulet ned (+). Stram savkæden, indtil den ikke længere hænger slapt ned på sværdets underside. (Fig. 42 )
9. Savkæden er strammet korrekt, når den ikke hænger slapt under sværdet, men således at den stadig let kan drejes med hånden.

10. Hold sværdspidsen op og drej knappen med uret for at stramme den. (Fig. 43 )

- Undersøg regelmæssigt kædespændingen efter montering af en ny savkæde og indtil kæden er blevet kørt til.
- Undersøg kædespændingen regelmæssigt. Korrekt kædespænding giver gode sveresultater og lang levetid.

## Sådan nulstilles kædebremsen

Hvis koblingsdækslet fjernes ved et uheld, mens kædebremsen er låst, skal bremsen låses op, så koblingsdækslet kan monteres uden at bindes til koblingstromlen.



**BEMÆRK:** Kædebremsefjederen er spændt. Vær forsigtig, når du nulstiller kædebremsen.

**Bemærk:** Du må ikke holde bremsebåndet under forsøget på at nulstille det.

1. Flugt hakkene på sværdværktøjet, så de passer over bremsens roterende led.(Fig. 44 )
2. For at nulstille bremsen skal du dreje leddet med uret, indtil det stopper. Det forreste led bliver i den nedadvendte, roterede position, når kædebremsen er låst op.(Fig. 45 )(Fig. 46 )

# DRIFT



**ADVARSEL:** Læs og forstå kapitlet om sikkerhed, før du betjener produktet.

## Sådan bruger du brændstof



**BEMÆRK:** Dette produkt har en totaktsmotor. Brug en blanding af benzin og totaktsmotorolie. Sørg for at anvende den korrekte mængde olie i blandingen. Forkert forhold mellem benzin og olie kan forårsage beskadigelse af motoren.

## Brændstofblandingsforhold

Brændstofblandingsforholdet for benzin og 2-taktsmotorolie er 50:1 (2 %)

Benzin	Totaktsmotorolie
1 US gal	77 ml (2,6 oz)
1 UK gal.	95 ml (3,2 oz)
5 l	100 ml (3,4 oz)

## Sådan laver du brændstofblandingen

1. Fastlæg den korrekte mængde benzin og motorolie (blandingsforhold 50:1). Lav ikke en brændstofblanding til mere end 30 dage. Se *Sådan bruger du brændstof på side 74*.
2. Hæld halvdelen af benzinen i en ren brændstofbeholder med en anti-spildventil.



**BEMÆRK:** Brug ikke benzin med en ethanolkoncentration på mere end 10 % (E10). Det kan forårsage skader på produktet.



**BEMÆRK:** Brug ikke benzin med et oktantal mindre end 90 RON (87 AKI). Det kan forårsage skader på produktet.

**Bemærk:** Brug aldrig benzin med højere oktantal, hvis du ofte bruger produktet ved et konstant højt motoromdrejningstal.

3. Hæld den fulde mængde 2-taktsmotorolie i brændstofbeholderen.



**BEMÆRK:** Brug altid luftkølet motorolie med dobbeltcyklus af høj kvalitet. Andre former for olie kan beskadige produktet.

4. Ryst brændstofblandingen for at blande indholdet.
5. Hæld resten af benzinen i brændstofbeholderen.
6. Ryst brændstofblandingen for at blande indholdet.
7. Fyld produktets brændstoftank op med brændstofblandingen. Se *Sådan bruger du brændstof på side 74*.

## Sådan fyldes brændstoftanken.

1. Sørg for, at brændstofblandingen er korrekt og at den er i en brændstofbeholder med en anti-spildventil.
2. Fjern det uønskede brændstof og lad beholderen tørre, hvis der er brændstof i beholderen.
3. Sørg for, at området i nærheden af brændstofdækslet er rent.
4. Fjern brændstoftankens dæksel.
5. Ryst brændstofdunken, før du fylder brændstofblandingen i brændstoftanken.
6. Sæt brændstoftanken dæksel på igen.

## Sådan smøres savkæden

Produktet har et automatisk smøresystem. Savkædeolietanken og brændstoftanken er dimensionerede, så brændstoffet slipper op før savkædeolien. Denne sikkerhedsforanstaltning kræver, at du anvender den korrekte kædeolie og overholder instruktionerne.

1. Brug vegetabilsk kædeolie eller en standardkædeolie.
2. Sørg for, at området omkring dækslet til savkædeolietanken er rent.
3. Tag dækslet af savkædeolietanken.
4. Fyld savkædeolietanken med den anbefalede savkædeolie.
5. Sæt dækslet på savkædeolietanken.

## Sådan starter og stopper du

### Før du starter motoren

- Undersøg produktet for manglende, beskadigede, løse eller slidte dele.
- Undersøg møtrikker, skruer og bolte.
- Undersøg luftfilteret.
- Undersøg, om udløserlåsen og udløseren fungerer korrekt.
- Undersøg, om stopkontakten fungerer korrekt.
- Undersøg produktet for brændstoftækager.
- Undersøg savkæden skarphed og spænding.

### Sådan starter du en kold motor

1. Flyt kastbeskyttelsen fremefter for at aktivere kædebremsen. (Fig. 47 )
2. Tryk på spædepumpen 6 gange (Fig. 48 )
3. Sæt chokerhåndtaget i positionen fuld choker. (Fig. 49 )
4. Hold hoveddelen af produktet på jorden med venstre hånd. Sæt højre fod ind i det bageste håndtag for at stabilisere motorsaven. Træk langsomt i startsnorens håndtag, indtil du mærker modstand. Træk derefter kraftigt i startsnorens håndtag 5 gange. (Fig. 50 )

**Bemærk:** Træk ikke i udløseren, mens du starter motoren.

5. Sæt chokerhåndtaget i positionen ingen choker.
6. Træk i håndtaget til startrebet, indtil motoren starter. Vent 60 sekunder efter start, før du trækker i udløseren.



**BEMÆRK:** Træk ikke i startrebet, indtil det stopper. Slip ikke startrebet, når det er trukket helt ud. Slip startsnoren langsomt. Følg disse instruktioner for at undgå beskadigelse af motoren.

7. Træk kastbeskyttelsen i retning af det forreste håndtag for at deaktivere kædebremsen.
8. Hold det bageste håndtag med højre hånd og det forreste håndtag med venstre hånd.
9. Brug produktet.

### Sådan starter du en varm motor

1. Flyt kastbeskyttelsen fremefter for at aktivere kædebremsen.
2. Tryk på spædepumpen 6 gange
3. Sæt chokerhåndtaget i positionen fuld choker.
4. Sæt chokerhåndtaget i positionen ingen choker.
5. Hold hoveddelen af produktet på jorden med venstre hånd. Sæt højre fod ind i det bageste håndtag for at stabilisere motorsaven. Træk langsomt i startsnorens håndtag, indtil du mærker modstand.

Træk derefter i håndtaget til startrebet, indtil motoren starter. (Fig. 51)

**Bemærk:** Træk ikke i udløseren, mens du starter motoren.



**BEMÆRK:** Træk ikke i startrebet, indtil det stopper. Slip ikke startrebet, når det er trukket helt ud. Slip startsnoren langsomt. Følg disse instruktioner for at undgå beskadigelse af motoren.

6. Træk kastbeskyttelsen i retning af det forreste håndtag for at deaktivere kædebremsen.
7. Hold det bageste håndtag med højre hånd og det forreste håndtag med venstre hånd.
8. Brug produktet.

### Sådan startes motoren, når brændstoffet er for varmt

Hvis produktet ikke starter, kan brændstoffet være for varmt.

**Bemærk:** Brug altid nyt brændstof, og brug produktet i mindre tid i varmt vejr.

1. Sæt produktet et køligt sted i skyggen.
2. Lad det køle af i mindst 20 minutter.
3. Tryk på brændstofpumpen igen og igen i 10-15 sekunder.
4. Følg proceduren for start af kold motor. Se *Sådan starter du en kold motor på side 75*.

### Sådan standses motoren

- Tryk på stopkontakten for at standse motoren.

**Bemærk:** Stopkontakten vender automatisk tilbage til dens oprindelige position.

### Sådan bruges en barkstøtte

En barkstøtte forhindrer kast og holder træet, mens der saves. Barkstøtten er et omdrejningspunkt mellem motorhuset og sværdet.

1. Sæt den nederste ende af barkstøtten ved den korrekte hængselbredde.
2. Tryk med venstre hånd mod det forreste håndtag, samtidig med at du løfter det bageste håndtag med højre hånd.
3. Sav, indtil du får den korrekte hængselbredde.

**Bemærk:** Hængslet skal have en ensartet tykkelse.

4. Sav mere end halvdelen af diameteren, og sæt derefter fældekielen i snittet.

### Sådan fælder man træer

1. Fjern snavs, sten, løs bark, søm, hæfteklammer og ledning fra træet.
2. Lav en indskæring 1/3 af træets diameter, som er vinkelret i forhold til den retning, træet vil falde i. (Fig. 52)
3. Lav det nederste vandrette indskæringsnit. Det forhindrer fastklemning af savkæden eller sværdet, når den anden indskæring laves.
4. Lav det bageste fældesnit (X) mindst 50 mm højere end det vandrette indskæringsnit. Hold det bageste fældesnit parallelt med det vandrette indskæringsnit, så der er tilstrækkeligt træ til at udgøre et hængsel. Skær ikke igennem hængslet. Hængslet forhindrer, at træet vrider sig og falder i den forkerte retning. (Fig. 53) (Fig. 54)
5. Efterhånden som det bageste fældesnit nærmer sig hængslet, begynder træet at falde. Sørg for, at træet falder i den rigtige retning og ikke vipper bagud og klemmer savkæden. Stop med at save, før det bageste fældesnit er komplet, for at undgå dette. Brug kiler af træ, plast eller aluminium til at åbne snittet, og lad træet falde langs den nødvendige faldlinje. (Fig. 55)
6. Når træet begynder at falde, skal du fjerne produktet fra snittet, stoppe motoren, sætte produktet ned og derefter anvende den planlagte retrætevej. Vær opmærksom på overhængende grene, der falder ned, og hold øje med dit fodfæste. (Fig. 56)

### Sådan afgrenes et træ

1. Brug de større grene til at holde stammen over jorden.
2. Fjern små grene med ét snit. (Fig. 57)
3. Skær grene, som har spænding fra bunden til toppen, af for at undgå klemning af savkæden eller sværdet.

### Sådan vendes en stamme



**BEMÆRK:** Lad ikke savkæden røre jorden.

- Sav fra toppen af stammen (kendt som oversavning), hvis stammen er understøttet i hele dens længde. (Fig. 58)
- Sav 1/3 af diameteren fra under stammen (kendt som undersavning), hvis stammen er understøttet i den ene ende. (Fig. 59)
- Sav 1/3 af diameteren fra toppen, hvis stammen er understøttet i begge ender. Afslut snittet ved at undersøge de nederste 2/3 af stammen for at ramme det første snit. (Fig. 60)
- Ved savning af en stamme på en skråning skal du altid stå på den opadvendte side af stammen. Skær gennem stammen, mens du bevarer kontrollen med

produktet. Reducer derefter skæretrykket nær enden af snittet, mens du holder godt fast i det bageste og forreste håndtag.(Fig. 61 )

## VEDLIGEHOVELDELSE



**ADVARSEL:** Læs og forstå sikkerhedskapitlet, før du rengør, reparerer eller udfører vedligeholdelse på produktet.

### Vedligeholdelsesskema

Sørg for, at du overholder vedligeholdelsesskemaet. Intervallerne er fastlagt baseret på daglig brug af produktet. Intervallerne er anderledes, hvis du ikke bruger produktet hver dag. Foretag kun vedligeholdelsesarbejde, som beskrevet i denne vejledning. Snak med et godkendt servicecenter vedrørende yderligere vedligeholdelsesarbejde, som ikke er beskrevet i denne vejledning.

### Dagligt eftersyn

- Rengør de udvendige overflader.
- Kontroller, at låsen og udløseren fungerer korrekt.
- Rens kædebremsen, og sørg for, at den fungerer korrekt.

(Fig. 62 )

- Undersøg kædefangeren for skader. Udskift kædefangeren, hvis den er beskadiget.

(Fig. 63 )

- Drej sværdet dagligt for at få mere ensartet slid på det.
- Sørg for, at smørehullet i sværdet ikke er tilstoppet.

(Fig. 64 )

- Rens sporet i sværdet.

(Fig. 65 )

- Sørg for, at sværdet og savkæden får nok olie.
- Undersøg savkæden:
  - For synlige revner i nitter og led.
  - For uregelmæssigt slidte nitter og led.
  - For korrekt spænding.

Udskift om nødvendigt savkæden.

- Skærp savkæden. Se *Sådan skærpes savkæden på side 78*.
- Undersøg drivhullet for overdreven slitage, og udskift efter behov.

(Fig. 66 )

- Rengør luftindtaget på starterenheden.
- Sørg for, at møtrikker og skruer er spændt.
- Sørg for, at stopknappen fungerer korrekt.
- Undersøg motoren, tanken og brændstoffledningerne for brændstofflækager.
- Sørg for, savkæden ikke drejer, mens motoren kører i tomgang.

### Ugentligt eftersyn

- Sørg for, at kølesystemet fungerer korrekt.
- Sørg for, at starteren, startsnoren og returfjederen fungerer korrekt.
- Sørg for, at vibrationsisolatorerne ikke er beskadigede.

(Fig. 67 )

- Fil eventuelle ujævnheder væk på æggen af sværdet.
- Rengør eller udskift gnistfangerskærmen på lyd-dæmperen.

(Fig. 68 )

- Rengør de udvendige overflader på karburatoren og dens tilstødende områder.
- Rens luftfilteret. Monter et nyt luftfilter, hvis det er beskadiget eller for snavset til at blive fuldstændigt rengjort. Se *Rengøring af luftfilteret på side 78* for flere oplysninger.

### Månedligt eftersyn

- Undersøg bremsebåndet på kædebremsen for slitage. Udskift bremsebåndet, når dets tykkelse er mindre end 0,6 mm på det mest slidte sted.

(Fig. 69 )

- Undersøg koblingscentrummet, koblingstromlen og koblingsfjederen for slitage.
- Rens tændrøret. Sørg for, at elektrodeafstanden er korrekt.

(Fig. 70 )

- Rengør de udvendige overflader på karburatoren og dens tilstødende områder.
- Undersøg brændstoffilteret og brændstofslangen. Udskift om nødvendigt.
- Tøm brændstoftanken.
- Tøm brændstoftanken.
- Undersøg alle kabler og tilslutninger.

### Årlig vedligeholdelse

- Undersøg tændrøret.
- Rengør de udvendige overflader på karburatoren og dens tilstødende områder.
- Rengør kølesystemet.
- Undersøg gnistfangerskærmen.
- Undersøg brændstoffilteret.
- Undersøg brændstofslangen for skader.
- Undersøg alle kabler og tilslutninger.

## Periodisk vedligeholdelse

- Få et godkendt serviceværksted til at reparere eller udskifte lyddæmperen efter 50 timers drift.
- Udfør vedligeholdelse på tændrøret i følgende tilfælde:
  - Motorens effektniveau er lavt.
  - Det er svært at starte motoren.
  - Motoren fungerer ikke korrekt i tomgangshastighed.
- Undersøg savkædesmøringen ved hver optankning. Se *Sådan kontrolleres savkædens smøring på side 79*.

## Sådan justerer du tomgangshastigheden

Sørg for, at luftfilteret er rent og at luftfilterdækslet er fastgjort, før du justerer tomgangshastigheden.

1. Drej tomgangsjusteringsskruen, som er mærket med et "T", med uret, indtil savkæden begynder at dreje.
2. Drej tomgangsjusteringsskruen, som er mærket med et "T", mod uret, indtil savkæden stopper.
3. Tomgangshastigheden skal være under den hastighed, hvor savkæden begynder at dreje. Tomgangshastigheden er korrekt, når motoren kører jævnt i alle positioner.

## Sådan rengøres gnistfangerskærmen

1. Brug en stålborste til at rengøre gnistfangerskærmen.

## Sådan foretager du vedligeholdelse på tændrøret



**BEMÆRK:** Brug det anbefalede tændrør. Sørg for, at reservedelen er den samme som den vare, der leveres af producenten. Et forkert tændrør kan medføre skader på produktet.

1. Undersøg tændrøret for uønskede materialer, hvis produktet er svært at starte eller betjene. Sådan mindsker du risikoen for uønsket materiale på tændrørets elektroder:
  - a) sørg for, at tomgangshastigheden er indstillet korrekt.
  - b) sørg for, at brændstofblandingen er korrekt.
  - c) sørg for, at luftfilteret er rent.

2. Rengør tændrøret, hvis det er snavset. Sørg for, at elektrodeafstanden er korrekt. (Fig. 71)

3. Udskift tændrøret, når det er nødvendigt.

## Rengøring af luftfilteret

1. Fjern luftfilterdækslet og luftfiltret.

2. Rens luftfilteret med varmt sæbevand. Sørg for, at luftfilteret er tørt, før du sætter det i igen.
3. Udskift luftfilteret, hvis det er for beskidt til at rengøres helt. Udskift altid et beskadiget luftfilter.

## Sådan skærpes savkæden

### Skæreled

Den savende del af savkæden kaldes skæreledet og består af en skæretand (A) og en rytter (B). Højdeafstanden mellem disse bestemmer skæredybden. Dybdemålerindstillingen (C).

(Fig. 72)

Når du skærper en skæretand, skal du huske fire vigtige faktorer:

- Filevinkel.

(Fig. 73)

- Skærevinkel.

(Fig. 74)

- Filestilling.

(Fig. 75)

- Rundfil diameter.

(Fig. 76)

## Sådan skærpes skæretænderne

Brug en rundfil og et ryttermål til at skærpe skæretænderne. Se *Savkædefiling og savkædekombinationer på side 81* for oplysninger om de anbefalede mål for filen og filemåleren til den savkæde, der er monteret på dit produkt.

1. Kontroller, at savkæden er korrekt spændt. En utilstrækkelig stramning medfører, at savkæden bliver ustabil i sideled, hvilket gør en korrekt filing svær.
2. Fil alle tænder på den ene side først. Fil skæretænderne fra den indvendige flade, og reducer trykket på returslaget.
3. Vend produktet, og fil tænderne på den anden side.
4. Fil på en sådan måde, at alle tænder bliver lige lange. Når der kun er 4 mm (5/32") tilbage af skæretandens længde, er savkæden slidt ned og skal smides væk. (Fig. 77)

## Sådan justeres dybdemålerindstillingen

Skærp skæretænderne, inden du justerer dybdemålerindstillingen. Se *Sådan skærpes skæretænderne på side 78*. Når du skærper skæretanden (A), mindskes dybdemålerindstillingen (C). For at bevare en optimal skærekapacitet skal dybdemålerindstillingen (B) sænkes til anbefalet niveau. Se *Savkædefiling og savkædekombinationer på side 81* for at finde den korrekte dybdemålerindstilling for din kæde.

(Fig. 78)

(Fig. 79)

---

**Bemærk:** Denne anbefaling forudsætter, at skæretændernes længde ikke er blevet fileet unormalt ned.

---

Brug en fladfil og et dybdemåleværktøj til at justere rytteren.

1. Placer dybdemåleværktøjet over savkæden. Du kan finde yderligere oplysninger om brug af slibeskalaen på pakken.
2. Læg fladfilen over den overskydende del af dybdemåleren, og fil overskuddet væk. Dybdemålerindstillingen er korrekt, når der ikke føles nogen modstand, når filen trækkes over slibeskalaen.

### Sådan strammes savkæden

---

**Bemærk:** Kontroller regelmæssigt en ny savkædes spænding i indkøringsperioden.

---

1. Løsn sværdmøtrikkerne, der holder kædehjulsdækslet. Brug ring- og gaffelnøglen. (Fig. 80 )
2. Spænd sværdmøtrikkerne med hånden, så hårdt du kan.
3. Løft toppen af sværdet og forlæng savkæden ved at spænde kædejusteringsskruen. Brug ring- og gaffelnøglen. Stram savkæden, indtil den ikke længere hænger ned under undersiden af sværdet. (Fig. 81 )

4. Spænd sværdmøtrikkerne med ring- og gaffelnøglen, samtidig med at toppen af sværdet løftes. (Fig. 82 )
5. Sørg for, at du kan trække savkæden frit rundt med hånden, og at den ikke hænger ned.(Fig. 83 )

### Sådan smøres skæredstyret

#### Sådan kontrolleres savkædens smøring

Lav en kontrol af savkædens smøring ved hver optankning.

1. Start produktet og lad det køre på 3/4 hastighed. Ret spidsen af sværdet mod en lys overflade i en afstand af ca. 20 cm.
2. Efter 1 minuts kørsel vil der være en streg af olie på den lyse overflade.
3. Hvis der ikke er en oliestreg efter 1 minut, skal oliekanalen i sværdet rengøres. Rengør sporet på sværdets æg. Sørg for, at sværdspidens kædehjul går let og at der ikke er forhindringer i smørehullet. Rengør og smør spidsens kædehjul.
4. Start produktet og lad det køre på 3/4 hastighed. Ret spidsen af sværdet mod en lys overflade i en afstand af ca. 20 cm.
5. Efter 1 minuts kørsel vil der være en streg af olie på den lyse overflade.
6. Tal med din autoriserede forhandler, hvis der ikke er en oliestreg efter 1 minut.

---

## TRANSPORT

---

- Tøm brændstof- og kædeolietanken inden transport. Bortskaf brugte væsker korrekt.
- Sæt sværddækslet over skæredstyret under transporten. Det forhindrer personer i at røre den skarpe savkæde ved et uheld. En savkæde, der ikke betjenes, kan forårsage personskade hos dig og andre, der kommer til at røre en skarp savkæde.
- Fjern tændrørshætten fra tændrøret og aktivér kædebremsen før transport.
- Sørg for, at produktet ikke kan bevæge sig under transporten.

---

## OPBEVARING

---

- Sæt altid produktet væk, når det ikke er i drift. Lækager og dampe fra produktet kan komme i kontakt med gnister, åben ild fra elektrisk udstyr, elektriske plæneklippere, relæer/afbrydere, kedler og meget mere.
- Opbevar altid brændstof i en godkendt beholder.
- Tøm brændstof- og kædeolietanken, når produktet skal opbevares i en længere periode. Bortskaf brugte væsker korrekt.
- Sæt sværddækslet over sværdet under opbevaring. Det forhindrer personer i at røre den skarpe savkæde ved et uheld. En savkæde, der ikke betjenes, kan forårsage alvorlig personskade hos dig og andre, der kommer til at røre en skarp savkæde.
- Fjern tændrørshætten fra tændrøret og aktivér kædebremsen før opbevaring.

## TEKNISKE DATA

	enhed	120 Mark II (P02138HV)
<b>Motorspecifikationer</b>		
Cylindervolumen	cm <sup>3</sup>	38
Tændrør		Champion RCJ7Y
Elektrodeafstand	mm (tommer)	0,5 (0,02)
Brændstoftankvolumen	cm <sup>3</sup>	300
Tomgangshastighed	min <sup>-1</sup>	2800-3200
Udgangseffekt ved 9000 min <sup>-1</sup>	kW	1,4
Emissionsholdbarhedstid	t	50
<b>Støj- og vibrationsoplysninger</b>		
Ækvivalente vibrationsniveauer, $a_{hveq}$ forreste håndtag <sup>21</sup>	m/s <sup>2</sup>	4,5
Ækvivalente vibrationsniveauer, $a_{hveq}$ bageste håndtag <sup>22</sup>	m/s <sup>2</sup>	6,0
Lydeffektniveau, garanteret ( $L_{WA}$ ) <sup>23</sup>	dB(A)	116
Lydeffektniveau, målt <sup>24</sup>	dB(A)	110
Lydtrykniveau ved brugerens øre <sup>25</sup>	dB(A)	95
<b>Produktmål</b>		
Vægt (uden skæreudstyr)	kg	4,9
Olietankvolumen	cm <sup>3</sup>	200
<b>Brændstof-/smøresystem</b>		
Oliepumpekapacitet ved 9000 min <sup>-1</sup>	ml/min	7
Olietankvolumen	cm <sup>3</sup>	200
Type af oliepumpe		Automatisk
<b>Savkæden og sværdet</b>		
Standardsværdlængde	cm (tommer)	35-40 (14-16)
Anbefalede sværdlængder	cm (tommer)	35-45 (14-18)
Anvendelig skærelængde	cm (tommer)	34-39 (13,5 -15,5)

<sup>21</sup> Ækvivalent vibrationsniveau i henhold til ISO 22867 beregnes som den tidsvægtede energisum for vibrationsniveauer ved forskellige driftstilstande. Rapporterede data for ækvivalent vibrationsniveau har en typisk statistisk spredning (standardafvigelse) på 1 m/s<sup>2</sup>.

<sup>22</sup> Ækvivalent vibrationsniveau i henhold til ISO 22867 beregnes som den tidsvægtede energisum for vibrationsniveauer ved forskellige driftstilstande. Rapporterede data for ækvivalent vibrationsniveau har en typisk statistisk spredning (standardafvigelse) på 1 m/s<sup>2</sup>.

<sup>23</sup> Støjemissioner til omgivelserne, målt som lydeffekt ( $L_{WA}$ ).

<sup>24</sup> Støjemissioner til omgivelserne, målt som lydeffekt ( $L_{WA}$ ).

<sup>25</sup> Ækvivalent lydtryksniveau beregnes som den tidsvægtede energisum for forskellige lydtryksniveauer under forskellige betjeningsforhold. Typisk statistisk spredning for et ækvivalent lydtryksniveau er en standardafvigelse på 1 dB(A).



	<b>enhed</b>	<b>120 Mark II (P02138HV)</b>
Maks. savkædehastighed	m/sek.	22,3
Savkædedeling	mm (tommer)	8,3 (0.325) 9,52 (3/8)
Tykkelse på drivled (rytter)	mm (tommer)	1,3 (0,05)
Drivkædehjulstype		Spur
Antal tænder på drivkædehjul		6 (drivkædehjul 3/8) 7 (drivkædehjul 0,325)

## TILBEHØR

### Kombinationer af sværd og savkæde

Skæreudstyret nedenfor er godkendt til produktet.

Sværd				Savkæde	
Længde, cm (tommer)	Deling, mm (tommer)	Rytter, mm (tommer)	Maks. antal tænder, næsehjul	Type	Længde, drivled (stk.)
33 (13)	8,25 (0,325)	1,3 (0,050)	10T	Husqvarna H30	56
38 (15)	8,25 (0,325)				64
35 (14)	9,52 (3/8)		7T	Husqvarna H37	52
40 (16)	9,52 (3/8)				56
45 (18)	9,52 (3/8)				62

### Savkædefiling og savkædekombinationer

Savkæde					
Kædetype	Rundfilstørrelse	Sidepladevinkel	Toppladevinkel	Filestyrvinkel	Rytterindstilling
H30	3/16" / 4,8 mm	60°	30°	10°	0,025" / 0,65 mm
H37	5/32" / 4,0 mm	60°	30°	0°	0,025" / 0,65 mm

## INDHOLD I EF-OVERENSSTEMMELSESERKLÆRING

Vi, Husqvarna AB, SE 561 82 Huskvarna, SVERIGE, erklærer under eget ansvar, at det repræsenterede produkt:

Beskrivelse	Benzinkædesav
Mærke	Husqvarna

Beskrivelse	Benzinkædesav
Platform / type / model	Platform P02138HV re-præsenterer 120 Mark II
Batch	Serienumre fra 2018 og fremefter

overholder følgende EU-direktiver og bestemmelser:

Direktiv/bestemmelser	Beskrivelse
2006/42/EF	"angående maskiner"
2014/30/EU	"angående elektromagnetisk kompatibilitet"
2000/14/EF	"vedrørende udendørs støj"

Harmoniserede standarder og/eller tekniske specifikationer anvendt er som følger: EN ISO 12100, EN ISO 11681-1, CISPR 12, ISO 14982

I overensstemmelse med direktiv 2000/14/EF, bilag V, er de erklærede lydverdier angivet i afsnittet om tekniske data i denne manual og i den underskrevne EF-overensstemmelseserklæring.

TÜV Rheinland LGA Products GmbH, bemyndiget organ for maskiner (bemyndiget i henhold til 0197), Tillystraße 2 - 90431 Nürnberg, Tyskland, udførte en EF-typegodkendelse i overensstemmelse med 2006/42/EF, artikel 12, pkt. 3b.

Typegodkendelsescertifikatet, i overensstemmelse med bilag IX, som findes i den underskrevne overensstemmelseserklæring, gælder for alle produktionssteder og oprindelseslande, som angivet på produktet.

Kædesaven er i overensstemmelse med det produkt, der er godkendt i henhold til EF-typegodkendelse.

---

# Inhalt

---

<b>EINLEITUNG</b> .....	<b>83</b>	<b>TRANSPORT</b> .....	<b>95</b>
<b>SICHERHEIT</b> .....	<b>84</b>	<b>LAGERUNG</b> .....	<b>95</b>
<b>MONTAGE</b> .....	<b>88</b>	<b>TECHNISCHE DATEN</b> .....	<b>95</b>
<b>BETRIEB</b> .....	<b>89</b>	<b>ZUBEHÖR</b> .....	<b>96</b>
<b>WARTUNG</b> .....	<b>92</b>	<b>INHALT DER EU-KONFORMITÄTSERKLÄRUNG</b> .....	<b>97</b>

---

## EINLEITUNG

---

### Bedienungsanleitung

Die Ausgangssprache dieser Betriebsanleitung ist Englisch. Bedienungsanleitungen in anderen Sprachen sind Übersetzungen aus dem Englischen.

### Übersicht

(Abb. 1 )

1. Produkt- und Seriennummernschild
2. Gashebelsperre
3. Vorderer Handgriff
4. Zylinderdeckel
5. Kettenbremse mit Handschutz
6. Schalldämpfer
7. Rindenstütze
8. Schienenlenkstern
9. Rechtshandschutz
10. Gashebel
11. Kettenradabdeckung
12. Kettenfänger
13. Führungsschiene
14. Sägekette
15. Starthandgriff
16. Kettenöltank
17. Anlasser
18. Kraftstofftank
19. Choke-Hebel
20. Hinterer Handgriff
21. Stoppschalter
22. Stellschraube für Leerlaufdrehzahl
23. Kraftstoffpumpe
24. Informations- und Warnschild
25. Schraube zur Einstellung der Ölpumpe
26. Abdeckung für Führungsschiene
27. Kombinationswerkzeug
28. Zweitaktöl
29. Bedienungsanleitung (EPA)

### Symbole auf dem Produkt

(Abb. 2 )    Warnung

(Abb. 3 )    Lesen Sie diese Bedienungsanleitung

(Abb. 4 )    Tragen Sie zugelassenen Kopfschutz,  
Gehörschutz und Schutzbrille

(Abb. 5 )    Tragen Sie zugelassene Schutzhandschuhe

(Abb. 6 )    Dieses Gerät entspricht den geltenden CE-  
Richtlinien

(Abb. 7 )    Schalleistungspegel

(Abb. 8 )    Kettenbremse, nicht aktiviert (links).  
Kettenbremse, aktiviert (rechts)

(Abb. 9 )    Choke-Hebel

(Abb. 10 )    Kraftstoffpumpe

(Abb. 11 )    Tanken

(Abb. 12 )    Befüllung mit Kettenöl

(Abb. 13 )    Dieses Gerät entspricht den geltenden EAC-  
Richtlinien

(Abb. 14 )    Dieses Gerät entspricht den geltenden  
Richtlinien der Ukraine

(Abb. 15 )    Geräuschpegel

(Abb. 16 )    Halten Sie das Gerät mit beiden Händen  
fest

(Abb. 17 )    Verwenden Sie es nicht mit einer Hand

(Abb. 18 )    Vermeiden Sie Kontakt mit der  
Führungsschiene

(Abb. 19 )    Achten Sie auf Rückstöße

(Abb. 20 )    Dieses Gerät entspricht den in Australien  
und Neuseeland geltenden Richtlinien zur  
elektromagnetischen Verträglichkeit.

---

**Hinweis:** Weitere Symbole/Aufkleber auf dem Gerät beziehen sich auf die Zertifizierungsanforderungen für andere kommerzielle Bereiche.

---

## Produkthaftung

Im Sinne der Produkthaftungsgesetze übernehmen wir keine Haftung für Schäden, die unser Gerät verursacht, wenn...

- das Gerät nicht ordnungsgemäß repariert wurde.

---

# SICHERHEIT

---

## Sicherheitsdefinitionen

Die nachstehenden Definitionen geben den Schweregrad für jedes Signalwort an.



**WARNUNG:** Personenschäden.



**ACHTUNG:** Schäden am Gerät.

---

**Hinweis:** Diese Informationen erleichtern die Verwendung des Geräts.

---

## Allgemeine Sicherheitshinweise

- Verwenden Sie das Gerät ordnungsgemäß. Eine falsche Verwendung kann zu schweren bis tödlichen Verletzungen führen. Verwenden Sie das Gerät nur für die in dieser Bedienungsanleitung aufgeführten Arbeiten. Verwenden Sie das Gerät nicht für andere Aufgaben.
- Lesen, verstehen und befolgen Sie die Anweisungen in dieser Bedienungsanleitung. Beachten Sie die Sicherheitssymbole und die Sicherheitshinweise. Die Nichtbeachtung der Anweisungen und Symbole kann zu Verletzungen oder zum Tod führen.
- Werfen Sie diese Bedienungsanleitung nicht weg. Befolgen Sie die Anweisungen für Zusammenbau und Betrieb, und halten Sie Ihr Gerät in gutem Zustand. Befolgen Sie die Anweisungen für die korrekte Installation von Anbaugeräten und Zubehörteilen. Verwenden Sie ausschließlich zugelassene Anbaugeräte und Zubehörteile.
- Verwenden Sie das Gerät nicht, wenn es beschädigt ist. Halten Sie sich an den Wartungsplan. Führen Sie nur diejenigen Wartungsarbeiten aus, die Sie in den Anweisungen in dieser Bedienungsanleitung finden. Alle sonstigen Wartungsarbeiten müssen von einem autorisierten Service Center durchgeführt werden.
- Diese Bedienungsanleitung kann nicht alle Situationen abdecken, die bei der Verwendung des Geräts auftreten können. Seien Sie immer vorsichtig, und arbeiten Sie mit gesundem Menschenverstand. Führen Sie keine Arbeiten mit oder Wartungen am Gerät durch, wenn Sie sich in einer Situation unsicher sind. Wenden Sie sich an einen Produktfachmann, Ihren Fachhändler, Ihre Servicewerkstatt oder ein autorisiertes Service Center für weitere Informationen.
- Ziehen Sie den Zündkerzenstecker ab, bevor Sie das Gerät zusammenbauen, einlagern oder warten.
- Verwenden Sie das Gerät nicht, wenn es nicht mehr der ursprünglichen Spezifikation entspricht. Ändern Sie kein Teil des Geräts ohne Genehmigung des Herstellers. Verwenden Sie nur Teile, die vom Hersteller zugelassen wurden. Eine falsche Wartung kann zu schweren bis tödlichen Verletzungen führen.
- Atmen Sie die Abgase des Motors nicht ein. Das Einatmen der Motorabgase, des Kettenölnebels und von Sägespänen über einen längeren Zeitraum kann ein gesundheitliches Risiko darstellen.
- Das Gerät darf nicht im Innenbereich oder in der Nähe von feuergefährlichen Stoffen gestartet werden. Die Abgase sind heiß und können Funken erzeugen, die einen Brand verursachen können. Wenn keine ausreichende Luftzirkulation gewährleistet ist, können Verletzungen oder Tod durch Ersticken oder Kohlenmonoxid verursacht werden.
- Dieses Gerät erzeugt beim Betrieb ein elektromagnetisches Feld. Das elektromagnetische Feld kann medizinische Implantate beschädigen. Sprechen Sie vor der Inbetriebnahme des Geräts mit Ihrem Arzt und dem Hersteller des medizinischen Implantats.
- Lassen Sie nicht zu, dass Kinder das Gerät verwenden.
- Erlauben Sie nicht, dass Personen ohne Kenntnis der Anweisungen das Gerät bedienen.
- Stellen Sie sicher, dass Personen mit verminderter physischer oder psychischer Leistungsfähigkeit dieses Gerät nicht unbeobachtet verwenden. Es muss immer ein verantwortlicher Erwachsener anwesend sein.
- Verschließen Sie das Gerät in einem Bereich, zu dem Kinder und nicht autorisierte Personen keinen Zugang haben.

- Das Gerät kann Objekte auswerfen und Verletzungen verursachen. Beachten Sie die Sicherheitshinweise, um das Risiko von Verletzungen oder Tod zu verringern.
- Entfernen Sie sich nicht vom Gerät, wenn der Motor eingeschaltet ist. Halten Sie den Motor an, und stellen Sie sicher, dass sich die Kette nicht dreht.
- Der Bediener des Geräts trägt bei einem Unfall die Verantwortung.
- Überprüfen Sie das Gerät vor dem Gebrauch auf schadhafte Teile.
- Halten Sie sich an nationale und lokale gesetzliche Bestimmungen. Diese können den Betrieb des Geräts unter bestimmten Bedingungen verhindern oder einschränken.
- auf Ihre Arbeiten aufmerksam, bevor Sie das Gerät starten.
- Schauen Sie sich immer nach Personen und Tieren im Sicherheitsbereich um, bevor Sie sich mit dem Gerät herumdrehen.
- Entfernen Sie alle unerwünschten Materialien aus dem Arbeitsbereich, bevor Sie beginnen. Wenn die Kette gegen ein Objekt stößt, kann dieses umhergeschleudert werden und Verletzungen oder Schäden verursachen. Unerwünschtes Material kann sich um die Kette wickeln und Schäden verursachen.
- Verwenden Sie das Gerät nicht bei schlechtem Wetter wie Nebel, Regen, starkem Wind, Gewittergefahr oder sonstigen Schlechtwetterbedingungen. Bei schlechtem Wetter könnten sich gefährliche Bedingungen einstellen, z. B. rutschige Bodenflächen.

## Sicherheitshinweise für den Betrieb

- Der kontinuierliche oder regelmäßige Betrieb des Geräts kann „Weißfingerkrankheit“ oder entsprechende gesundheitliche Probleme durch Vibrationen verursachen. Untersuchen Sie den Zustand Ihrer Hände und Finger, wenn Sie das Gerät dauerhaft oder in regelmäßigen Abständen bedienen. Wenn Ihre Hände oder Finger Verfärbungen aufweisen, diese sich taub anfühlen oder Sie Schmerzen oder Krabbeln spüren, unterbrechen Sie die Arbeit, und suchen Sie sofort einen Arzt auf.
- Stellen Sie sicher, dass das Gerät vollständig zusammengebaut ist, bevor Sie es verwenden.
- Das Gerät kann Objekte umherschleudern und Augenverletzungen verursachen. Tragen Sie immer einen zugelassenen Augenschutz, wenn Sie mit dem Gerät arbeiten.
- Achten Sie darauf, dass sich während der Arbeiten kein Kind unbemerkt dem Gerät nähert.
- Benutzen Sie das Gerät nicht, wenn sich Personen im Arbeitsbereich befinden. Halten Sie das Gerät an, wenn eine Person den Arbeitsbereich betritt.
- Stellen Sie sicher, dass Sie sich beim Arbeiten frei bewegen und stabil stehen können.
- Vermeiden Sie Situationen, in denen Sie fallen könnten, wenn Sie mit dem Gerät arbeiten. Neigen Sie sich nicht bei der Arbeit mit dem Gerät.
- Halten Sie das Gerät immer mit beiden Händen fest. Halten Sie den vorderen Handgriff mit der linken Hand und den hinteren Griff mit der rechten Hand. Halten Sie das Gerät auf der rechten Seite des Körpers.
- Wenn sich der Choke-Hebel beim Motorstart in der Choke-Stellung befindet, beginnt sich die Kette zu drehen.
- Stellen Sie den Motor ab, bevor Sie das Gerät transportieren.
- Legen Sie das Gerät auf keinen Fall ab, solange der Motor läuft.
- Stellen Sie den Motor ab, bevor Sie unerwünschte Materialien vom Gerät entfernen. Lassen Sie die Kette zum Stillstand kommen, bevor Sie oder ein Assistent das Schnittgut entfernen.
- Verwenden Sie dieses Gerät nicht auf einem Baum. Die Verwendung des Geräts auf einem Baum kann zu Verletzungen führen.

(Abb. 21 )

- Stellen Sie sicher, dass Sie immer die Kontrolle über das Gerät behalten.
- Das Gerät muss grundsätzlich mit beiden Händen betätigt werden. Arbeiten Sie nicht einhändig mit dem Gerät. Durch Betrieb mit nur einer Hand können schwere Verletzungen des Bedieners, anderer Arbeiter, umstehender Personen oder einer Kombination solcher Personen verursacht werden.
- Halten Sie den vorderen Handgriff mit der linken Hand und den hinteren Griff mit der rechten Hand. Halten Sie das Gerät auf der rechten Seite des Körpers.

(Abb. 22 )

- Arbeiten Sie nicht mit dem Gerät, wenn Sie müde oder krank sind oder unter Einfluss von Alkohol, Drogen oder Medikamenten stehen.
- Verwenden Sie das Gerät nicht, wenn Sie bei einem Unfall keine Hilfe holen können. Machen Sie Dritte

(Abb. 23 )

- Die Kettenbremse muss beim Start des Geräts aktiviert sein, um das Risiko zu minimieren, dass die Sägekette Sie beim Start berührt.

(Abb. 24 )

- Verhindern Sie Rückstöße, Schlittern, Prellen und Abfallen, da dies schwere Verletzungen zur Folge haben kann.
- Beachten Sie sämtliche Sicherheitsvorschriften, um Rückstöße und andere Krafteinwirkungen zu vermeiden, die schwere Verletzungen verursachen können.
- Stellen Sie die Kettenspannung regelmäßig ein, um sicherzustellen, dass die Sägekette nicht durchhängt. Eine unzureichend gespannte Sägekette kann abspringen und schwere oder sogar lebensgefährliche Verletzungen verursachen.

- Bäume dürfen nicht anhand einer falschen Vorgehensweise gefällt werden. Dies kann zu Verletzungen, Beschädigungen von Versorgungsleitungen oder Sachschäden führen.
- Der Bediener sollte sich auf der Bergseite des Geländes aufhalten, da der Baum nach dem Fällen wahrscheinlich bergab rollt oder rutscht.

(Abb. 25 )

- Planen Sie einen Fluchtweg, und entfernen Sie Hindernisse, bevor Schnitte gestartet werden. Der Fluchtweg sollte rückwärts und diagonal hinter der erwarteten Falllinie verlaufen.

(Abb. 26 )

- Stellen Sie immer den Motor ab, bevor Sie das Gerät zwischen Bäumen transportieren.
- Sorgen Sie dafür, dass beide Füße fest auf dem Boden stehen, und verteilen Sie Ihr Gewicht gleichmäßig.

(Abb. 27 )

- Achten Sie stets auf festen Stand, und betreiben Sie das Gerät nur, wenn Sie auf einer festen, sicheren und geraden Oberfläche stehen. Rutschige oder instabile Oberflächen wie Leitern können zum Verlust des Gleichgewichts oder der Kontrolle führen.

(Abb. 28 )

## Rückschläge, Schlittern, Pellen und Abfallen

Verschiedene Kräfte können eine sichere Kontrolle des Geräts beeinträchtigen.

- **Schlittern** tritt auf, wenn die Führungsschiene gleitet oder sich schnell über das Holz bewegt.
- **Pellen** tritt auf, wenn die Führungsschiene in kurzen Abständen immer wieder ruckartig vom Holz abhebt und sich darauf absenkt.
- **Abfallen** tritt auf, wenn das Gerät nach Ausführen des Schnitts absackt. Dies kann dazu führen, dass die umlaufende Sägekette ein Körperteil oder andere Gegenstände berührt, was Verletzungen oder Sachschäden verursachen kann.
- **Rückschlag** tritt auf, wenn die Spitze der Führungsschiene einen Gegenstand berührt und sich ruckartig nach hinten, oben oder vorn bewegt. Ein Rückschlag tritt auch auf, wenn das Holz die Sägekette im Schnitt einklemmt. Wenn das Gerät einen Gegenstand im Holz berührt, kann dies zu einem Verlust der Kontrolle über das Gerät führen.

(Abb. 29 )

- **Rotierender Rückschlag** kann auftreten, wenn die umlaufende Kette auf einen Gegenstand an der Oberseite der Führungsschiene trifft. Dies kann dazu führen, dass sich die Kette in den Gegenstand eingräbt und sofort zum Stillstand kommt. In einer sehr schnellen Gegenreaktion bewegt sich die Führungsschiene nach oben und hinten in Richtung des Bedieners.

(Abb. 30 )

(Abb. 31 )

- **Rückschlag durch Einklemmen** kann auftreten, wenn die Sägekette im Schnitt plötzlich zum Stillstand kommt. Das Holz klemmt die umlaufende Sägekette entlang der Oberkante der Führungsschiene ein. Der abrupte Kettenhalt bewirkt ein Umkehren der Kettenkraft und führt dazu, dass sich das Gerät in der entgegengesetzten Richtung der Kettendrehung bewegt. Das Gerät bewegt sich nach hinten in Richtung des Bedieners.

(Abb. 32 )

- **Einziehen** kann auftreten, wenn die Sägekette plötzlich zum Stillstand kommt, weil sie entlang der Unterseite der Führungsschiene einen Gegenstand im Holz berührt. Durch den abrupten Halt wird das Gerät nach vorn und vom Bediener weg gezogen, was leicht zu einem Verlust der Kontrolle über das Gerät führen kann.

(Abb. 33 )

Stellen Sie vor der Inbetriebnahme des Geräts sicher, dass Sie diese verschiedenen Kräfte verstehen und wissen, wie Sie ihr Auftreten verhindern können.

## So vermeiden Sie Rückschläge, Schlittern, Pellen und Abfallen

- Achten Sie bei laufendem Motor unbedingt darauf, das Gerät stets fest zu halten. Halten Sie die rechte Hand am hinteren Griff und die linke Hand am vorderen Handgriff. Ergreifen Sie die Griffe jeweils fest mit Daumen und Fingern. Lassen Sie sie während des Gerätebetriebs auf keinen Fall los.
- Sorgen Sie dafür, dass Sie sowohl während des Schnitts als auch nach Herunterfallen des abgesägten Holzstücks die Kontrolle über das Gerät behalten. Lassen Sie nicht zu, dass das Gerät nach dem Schnitt durch sein Gewicht ruckartig nach unten gezogen wird. (Abb. 34 )
- Stellen Sie sicher, dass der Bereich, in dem Sie schneiden, nicht blockiert ist. Achten Sie beim Arbeiten mit dem Gerät darauf, dass die Spitze der Führungsschiene keinen Baumstamm, Ast oder anderen blockierenden Gegenstand berührt.
- Schneiden Sie stets bei hoher Motordrehzahl.
- Lehnen Sie sich beim Sägen nicht zu weit vor, und führen Sie keine Schnitte oberhalb der Schulterhöhe aus. (Abb. 35 )
- Befolgen Sie die Herstelleranweisungen zum Schärfen und Warten der Sägekette.
- Verwenden Sie als Ersatzteile nur die vom Hersteller angegebenen Führungsschienen und Sägeketten.
- Ein zu großer Tiefenbegrenzerabstand erhöht die Rückschlagneigung der Sägekette.

## Persönliche Schutzausrüstung

- Verwenden Sie beim Arbeiten mit dem Gerät stets die geeignete persönliche Schutzausrüstung. Das

Tragen persönlicher Schutzausrüstung schließt das Risiko von Verletzungen nicht aus. Das Tragen persönlicher Schutzausrüstung verringert das Ausmaß der Verletzungen bei einem Unfall.

- Die übrige Arbeitskleidung sollte dicht anliegen, ohne die Bewegungsfreiheit zu begrenzen.
- Verwenden Sie einen zugelassenen Schutzhelm.
- Tragen Sie immer einen zugelassenen Gehörschutz beim Arbeiten mit dem Gerät. Lärmbelastung über einen längeren Zeitraum kann zu Hörschäden führen.
- Tragen Sie stets eine Schutzbrille oder einen Gesichtsschutz, um die von weggeschleuderten Gegenständen ausgehende Gefahr zu reduzieren. Das Gerät kann Gegenstände wie Sägespäne, Holzstückchen usw. mit großer Kraft wegschleudern. Schwere Verletzungen, besonders an den Augen, können die Folge sein.
- Tragen Sie Handschuhe mit Schnittschutz.
- Tragen Sie Hosen mit Schnittschutz.
- Tragen Sie Stiefel mit Schnittschutz, Stahlkappe und rutschfester Sohle.
- Sorgen Sie dafür, dass Sie einen Erste-Hilfe-Kasten griffbereit haben.
- Von Schalldämpfer, Führungsschiene und Sägekette oder anderen Quellen können Funken erzeugt werden. Halten Sie zur Verhinderung von Waldbränden immer Feuerlöschwerkzeuge und eine Schaufel bereit.

### **Schutzvorrichtungen am Gerät**

- Achten Sie darauf, das Gerät regelmäßig zu warten.
  - Dies erhöht die Lebensdauer des Geräts.
  - Die Gefahr von Unfällen sinkt.

Lassen Sie einen Vertragshändler oder ein autorisiertes Service Center das Gerät regelmäßig überprüfen, um Einstellungen oder Reparaturen vorzunehmen.

- Benutzen Sie kein Gerät mit defekten Schutzvorrichtungen. Wenn das Gerät beschädigt ist, wenden Sie sich an ein autorisiertes Service Center.

### **Stoppschalter**

Motor starten. Kontrollieren Sie, dass der Motor anhält, wenn Sie den Schalter auf die Stopp-Position stellen.

### **So überprüfen Sie die Gashebelsperre**

1. Stellen Sie sicher, dass der Gashebel (B) im Leerlauf arretiert ist, wenn Sie die Gashebelsperre (A) lösen.(Abb. 36 )
2. Drücken Sie die Gashebelsperre (A), und kontrollieren Sie, ob sie beim Loslassen in die Ausgangsstellung zurückkehrt.
3. Drücken Sie den Gashebel (B), und kontrollieren Sie, ob er beim Loslassen in die Ausgangsstellung zurückkehrt.

4. Starten Sie den Motor, und geben Sie Vollgas.
5. Lassen Sie den Gashebel los, und kontrollieren Sie, ob die Sägekette stehen bleibt.
6. Wenn sich die Kettensäge im Leerlauf des Motors dreht, überprüfen Sie die Stellschraube für den Leerlauf am Vergaser.

### **Schutz**

Die Schutzvorrichtung verhindert, dass der Anwender von umherfliegenden Gegenständen getroffen wird. Die Schutzvorrichtung verhindert auch ein unbeabsichtigtes Berühren zwischen dem Bediener und der Sägekette.

- Stellen Sie sicher, dass der Schutz für den Betrieb in Verbindung mit dem Gerät zugelassen ist.
- Verwenden Sie das Gerät auf keinen Fall ohne die Schutzvorrichtung.
- Vergewissern Sie sich, dass der Schutz nicht beschädigt ist. Ersetzen Sie den Schutz, wenn dieser verschlissen ist oder Risse aufweist.

### **Sicherer Umgang mit Kraftstoff**

- Starten Sie das Gerät nicht, wenn sich Kraftstoff oder Öl darauf befindet. Entfernen Sie den unerwünschten Kraftstoff bzw. das Öl, und lassen Sie das Gerät trocknen. Entfernen Sie unerwünschten Kraftstoff aus dem Gerät.
- Wechseln Sie sofort die Kleidung, wenn Sie Kraftstoff darauf verschüttet haben.
- Lassen Sie keinen Kraftstoff auf Ihren Körper gelangen, denn dies kann zu Verletzungen führen. Wenn Kraftstoff auf Ihre Haut gelangt, waschen Sie diesen mit Wasser und Seife ab.
- Starten Sie den Motor niemals, wenn Sie Öl oder Kraftstoff auf das Gerät oder auf Ihren Körper verschüttet haben.
- Starten Sie das Gerät nicht, wenn der Motor undicht ist. Überprüfen Sie den Motor regelmäßig auf Undichtigkeiten.
- Gehen Sie vorsichtig mit Kraftstoff um. Kraftstoff ist feuergefährlich, und die Dämpfe sind explosiv und können zu Verletzungen oder sogar zum Tod führen.
- Atmen Sie die Kraftstoffdämpfe nicht ein, denn sie sind gesundheitsschädigend. Achten Sie auf ausreichende Belüftung.
- Rauchen Sie nicht in der Nähe des Kraftstoffs oder des Motors.
- Stellen Sie keine heißen Gegenstände in der Nähe des Kraftstoffs oder Motors ab.
- Füllen Sie keinen Kraftstoff nach, während der Motor läuft.
- Vergewissern Sie sich, dass der Motor abgekühlt ist, bevor Sie Kraftstoff nachfüllen.
- Öffnen Sie vor dem Nachfüllen den Tankdeckel langsam, und lassen Sie den Druck vorsichtig entweichen.
- Füllen Sie keinen Kraftstoff in den Motor, wenn Sie sich in einem Innenraum befinden. Eine mangelhafte

Luftzirkulation kann zu schweren oder tödlichen Verletzungen durch Ersticken oder eine Kohlenmonoxidvergiftung führen.

- Drehen Sie den Tankdeckel sorgfältig zu, da ansonsten Brandgefahr besteht.
- Stellen Sie das Gerät vor dem Einschalten in einem Abstand von mindestens 3 m von der Stelle auf, wo Sie den Tank befüllt haben.
- Überfüllen Sie den Kraftstofftank nicht.
- Stellen Sie sicher, dass kein Kraftstoff austreten kann, wenn Sie das Gerät oder den Kraftstoffbehälter transportieren.
- Bringen Sie weder das Gerät noch einen Kraftstoffbehälter in Bereiche mit offenem Feuer, Funkenbildung oder Zündflammen. Stellen Sie sicher, dass sich im Lagerbereich keine offene Feuerquelle befindet.
- Verwenden Sie nur zugelassene Behälter, wenn Sie den Kraftstoff transportieren oder einlagern.
- Leeren Sie den Kraftstofftank, bevor Sie das Gerät für längere Zeit einlagern. Entsorgen Sie den Kraftstoff an Orten, die durch die lokalen gesetzlichen Bestimmungen dafür vorgesehen sind.
- Reinigen Sie das Gerät, bevor Sie es für längere Zeit einlagern.
- Ziehen Sie das Zündkerzenkabel ab, bevor Sie das Gerät einlagern, um sicherzustellen, dass der Motor nicht unbeabsichtigt starten kann.

## Sicherheitshinweise für die Wartung

- Ziehen Sie den Zündkerzenstecker ab, bevor Sie mit Wartungsarbeiten am Gerät beginnen, mit Ausnahme von Vergasereinstellungen.
- Lassen Sie mit Ausnahme der unter *WARTUNG auf Seite 92* aufgeführten Aufgaben alle Wartungsarbeiten von einem autorisierten Händler durchführen.
- Stellen Sie sicher, dass die Motorsäge stoppt, wenn der Gashebel losgelassen wird.
- Halten Sie die Griffe trocken, sauber und frei von Öl und Kraftstoffgemisch.

- Halten Sie alle Kappen und Befestigungselemente korrekt angezogen.
- Die Verwendung von nicht zugelassenen Ersatzteilen oder der Ausbau von Sicherheitseinrichtungen kann zu einer Beschädigung des Geräts führen. Außerdem besteht die Gefahr von Verletzungen des Bedieners oder umstehender Personen. Verwenden Sie nur empfohlene Zubehör- und Ersatzteile. Modifizieren Sie Ihr Gerät nicht.
- Um einen sicheren Betrieb mit hoher Leistung zu gewährleisten, halten Sie die Sägekette stets scharf und sauber.
- Befolgen Sie die Anweisungen für das Schmieren und Auswechseln von Zubehörteilen.
- Untersuchen Sie das Gerät auf beschädigte Teile. Vergewissern Sie sich vor Weiterverwendung des Geräts, dass der beschädigte Schutz oder das beschädigte Teil richtig funktioniert. Untersuchen Sie das Gerät auf defekte oder falsch ausgerichtete Teile sowie auf Teile, die sich nicht frei bewegen. Untersuchen Sie das Gerät auf andere Bedingungen, die den einwandfreien Betrieb beeinträchtigen könnten. Sorgen Sie dafür, dass das Gerät korrekt montiert ist. Sofern in der Bedienungsanleitung nicht anders angegeben, muss ein beschädigter Schutz oder ein anderes beschädigtes Teil von einem autorisierten Händler repariert oder ausgetauscht werden.
- Wenn es nicht in Betrieb ist, bewahren Sie das Gerät außerhalb der Reichweite von Kindern an einem trockenen, hochgelegenen oder abgeschlossenen Ort auf.
- Verwenden Sie bei Transport oder Lagerung des Geräts eine Abdeckung oder ein Gehäuse für die Führungsschiene.
- Verwenden Sie kein Altöl. Altöl stellt eine Gefahr für den Bediener dar und kann Schäden am Gerät und in der Umwelt verursachen.

---

## MONTAGE

---



**WARNUNG:** Lesen Sie vor der Montage des Geräts das Kapitel über Sicherheit, und machen Sie sich damit vertraut.

## So montieren Sie Führungsschiene und Kette

1. Ziehen Sie den Handschutz in Richtung des vorderen Handgriffs, um die Kettenbremse freizugeben.
2. Klappen Sie den Hebel auf, um ihn in die offene Stellung zu bringen. (Abb. 37 )
3. Durch Drehen des Hebels gegen den Uhrzeigersinn wird der Schienenschutz gelöst. (Abb. 38 )
4. Entfernen Sie den Hebel (A) und die Kettenradabdeckung. Entfernen Sie den Transportschutz, falls vorhanden. (Abb. 39 )
5. Platzieren Sie die Führungsschiene oberhalb der Schienenbolzen. Bringen Sie die Führungsschiene in ihre hinterste Stellung. Legen Sie die Kette über das Kettenantriebsrad, und passen Sie sie in die Nut in der Führungsschiene ein. Beginnen Sie an der Oberkante der Führungsschiene. (Abb. 40 )
6. Achten Sie darauf, dass die Schneiden der Sägezähne auf der Oberkante der Führungsschiene nach vorn gerichtet sind.



7. Bringen Sie die Abdeckung des Antriebskettenrads wieder an, und platzieren Sie den Stift der Ketteneinstellung in der Aussparung der Führungsschiene. Stellen Sie sicher, dass die Treibglieder der Kette korrekt in das Kettenantriebsrad passen. Stellen Sie auch sicher, dass die Sägekette korrekt in die Nut der Führungsschiene eingreift. (Abb. 41 )
8. Spannen Sie die Sägekette, indem Sie das Rad nach unten drehen (+). Spannen Sie die Kette, bis sie unter der Führungsschiene nicht mehr durchhängt. (Abb. 42 )
9. Die Sägekette ist richtig gespannt, wenn sie nicht unter der Führungsschiene durchhängt, aber dennoch leicht von Hand gedreht werden kann.
10. Halten Sie die Führungsschienenspitze nach oben und ziehen Sie sie durch Drehen des Hebels im Uhrzeigersinn fest. (Abb. 43 )
  - Überprüfen Sie die Kettenspannung nach der Montage einer neuen Sägekette häufig, bis sich die Sägekette eingelaufen hat.
  - Kontrollieren Sie die Kettenspannung in regelmäßigen Abständen. Eine korrekte Kettenspannung führt zu guter Schnittleistung und langer Lebensdauer.

## So setzen Sie die Kettenbremse zurück

Wenn der Kupplungsdeckel versehentlich entfernt wird, während die Kettenbremse verriegelt ist, muss die Kettenbremse gelöst werden, damit der Kupplungsdeckel wieder montiert werden kann, ohne an der Kupplungstrommel zu klemmen.



**ACHTUNG:** Die Kettenbremse steht unter Spannung. Setzen Sie die Kettenbremse vorsichtig zurück

**Hinweis:** Halten Sie beim Versuch, die Bremse zurückzusetzen, nicht das Bremsband fest.

1. Richten Sie die Kerben am Universalschlüssel aus, sodass diese über das Drehglied der Bremse passen. (Abb. 44 )
2. Zum Zurücksetzen der Bremse drehen Sie das Glied im Uhrzeigersinn bis zum Anschlag. Das vordere Glied wird sich nach dem Lösen der Kettenbremse in der nach unten gedrehten Position befinden. (Abb. 45 ) (Abb. 46 )

## BETRIEB



**WARNUNG:** Lesen Sie vor der Nutzung des Geräts das Kapitel über Sicherheit, und machen Sie sich damit vertraut.

### So verwenden Sie den Kraftstoff



**ACHTUNG:** Dieses Gerät hat einen Zweitaktmotor. Verwenden Sie eine Mischung aus Benzin und Zweitakt-Motoröl. Stellen Sie sicher, dass Sie die korrekte Menge an Öl für das Gemisch verwenden. Ein falsches Verhältnis von Benzin und Öl kann zu Schäden am Motor führen.

### Kraftstoffmischungsverhältnis

Das Mischungsverhältnis von Benzin und Zweitaktmotorenöl beträgt 50:1 (2 %).

Benzin	Öl für Zweitaktmotoren
1 US gal	77 ml
1 UK gal	95 ml
5 l	100 ml

### So stellen Sie die Kraftstoffmischung her

1. Bestimmen Sie die richtige Menge an Kraftstoff und Motoröl (Mischungsverhältnis 50:1). Bereiten Sie

keine größere Menge Gemisch zu, als Sie für 30 Tage benötigen. Siehe *So verwenden Sie den Kraftstoff auf Seite 89*.

2. Füllen Sie die halbe Benzinmenge in einen sauberen Kraftstoffbehälter ein, der mit einem Anti-Verschüttventil ausgestattet ist.



**ACHTUNG:** Verwenden Sie kein Benzin mit einer höheren Ethanolkonzentration als 10 % (E10). Dies kann das Gerät beschädigen.



**ACHTUNG:** Verwenden Sie kein Benzin mit einer geringeren Oktanzahl als 90 RON (87 AKI). Dies kann das Gerät beschädigen.

**Hinweis:** Verwenden Sie Benzin mit einer höheren Oktanzahl, wenn Sie das Gerät häufig und bei kontinuierlich hoher Motordrehzahl verwenden.

3. Füllen Sie die gesamte Menge des Zweitaktmotoröls in den Kraftstoffbehälter ein.



**ACHTUNG:** Verwenden Sie grundsätzlich ein hochwertiges Motoröl, das für luftgekühlte Zweitaktmotoren bestimmt ist. Andere Ölsorten können das Gerät beschädigen.

4. Schütteln Sie die Kraftstoffmischung, um die Anteile zu vermengen.
5. Fügen Sie dem Kraftstoffbehälter die restliche Benzinmenge hinzu.
6. Schütteln Sie die Kraftstoffmischung, um die Anteile zu vermengen.
7. Füllen Sie den Kraftstofftank des Geräts mit der Kraftstoffmischung. Siehe *So verwenden Sie den Kraftstoff auf Seite 89*.

### So füllen Sie den Kraftstofftank

1. Vergewissern Sie sich, dass Sie die korrekte Kraftstoffmischung in einem Kraftstoffbehälter mit Anti-Verschüttventil hergestellt haben.
2. Wenn sich Kraftstoff auf dem Behälter befindet, entfernen Sie diesen, und lassen Sie den Behälter trocknen.
3. Stellen Sie sicher, dass der Bereich um den Tankverschluss sauber ist.
4. Entfernen Sie den Kraftstofftankdeckel.
5. Schütteln Sie den Kraftstoffbehälter, bevor Sie die Kraftstoffmischung in den Kraftstofftank einfüllen.
6. Bringen Sie den Kraftstofftankdeckel wieder an.

### So schmieren Sie die Sägekette

Das Gerät verfügt über ein automatisches Schmiersystem. Kettenöl- und Kraftstofftank sind so dimensioniert, dass der Kraftstoff zur Neige geht, bevor das Sägekettenöl verbraucht ist. Diese Sicherheitsfunktion setzt voraus, dass das richtige Kettenöl verwendet wird und die Anweisungen befolgt werden.

1. Verwenden Sie ein pflanzliches Sägekettenöl oder ein gewöhnliches Kettenöl.
2. Vergewissern Sie sich, dass der Bereich um den Deckel des Kettenöltanks sauber ist.
3. Entfernen Sie den Deckel des Kettenöltanks.
4. Füllen Sie den Kettenöltank mit dem empfohlenen Kettenöl.
5. Bringen Sie den Deckel des Kettenöltanks wieder an.

## Starten und stoppen

### Vor dem Starten des Motors

- Untersuchen Sie das Gerät auf fehlende, beschädigte, lose oder abgenutzte Teile.
- Überprüfen Sie die Muttern, Schrauben und Bolzen.
- Überprüfen Sie den Luftfilter.
- Überprüfen Sie die Gashebelsperre und den Gashebel auf korrekte Funktion.
- Überprüfen Sie den Stoppschalter auf korrekte Funktion.
- Untersuchen Sie das Gerät auf austretenden Kraftstoff.

- Überprüfen Sie die Schärfe und Spannung der Sägekette.

### So starten Sie bei kaltem Motor

1. Bewegen Sie den Handschutz nach vorne, um die Kettenbremse zu aktivieren. (Abb. 47 )
2. Drücken Sie die Kraftstoffeinspritzpumpe 6 Mal. (Abb. 48 )
3. Bewegen Sie den Kaltstarthebel in die Position „Full Choke“ (Drosselkappe ganz geöffnet). (Abb. 49 )
4. Drücken Sie den Gerätekörper mit der linken Hand gegen den Boden. Stellen Sie Ihren rechten Fuß in den hinteren Griff, um die Motorsäge zu stabilisieren. Ziehen Sie langsam am Startseilhandgriff, bis Sie einen Widerstand spüren. Ziehen Sie dann fünfmal mit Kraft am Startseil. (Abb. 50 )

---

**Hinweis:** Betätigen Sie nicht den Gashebel, während Sie den Motor starten.

---

5. Bewegen Sie den Kaltstarthebel in die Position „No Choke“ (Drosselkappe geschlossen).
6. Ziehen Sie am Startseilgriff, bis der Motor anspringt. Warten Sie 60 Sekunden lang nach einem Start, bevor Sie den Gashebel betätigen.



**ACHTUNG:** Ziehen Sie das Startseil nicht bis zum Anschlag heraus. Lassen Sie das Startseil nicht los, wenn es vollständig ausgezogen ist. Lösen Sie das Startseil langsam. Diese Anweisungen müssen befolgt werden, um eine Beschädigung des Motors zu verhindern.

---

7. Ziehen Sie den Handschutz in Richtung des vorderen Handgriffs, um die Kettenbremse freizugeben.
8. Halten Sie den hinteren Griff mit der rechten Hand und den vorderen Handgriff mit der linken Hand.
9. Beginnen Sie mit dem Betrieb.

### So starten Sie einen warmen Motor

1. Bewegen Sie den Handschutz nach vorne, um die Kettenbremse zu aktivieren.
2. Drücken Sie die Kraftstoffeinspritzpumpe 6 Mal.
3. Bewegen Sie den Kaltstarthebel in die Position „Full Choke“ (Drosselkappe ganz geöffnet).
4. Bewegen Sie den Kaltstarthebel in die Position „No Choke“ (Drosselkappe geschlossen).
5. Drücken Sie den Gerätekörper mit der linken Hand gegen den Boden. Stellen Sie Ihren rechten Fuß in den hinteren Griff, um die Motorsäge zu stabilisieren. Ziehen Sie langsam am Startseilhandgriff, bis Sie einen Widerstand spüren. Ziehen Sie dann mit Kraft am Startseil, bis der Motor anspringt. (Abb. 51 )

---

**Hinweis:** Betätigen Sie nicht den Gashebel, während Sie den Motor starten.

---



**ACHTUNG:** Ziehen Sie das Startseil nicht bis zum Anschlag heraus. Lassen Sie das Startseil nicht los, wenn es vollständig ausgezogen ist. Lösen Sie das Startseil langsam. Diese Anweisungen müssen befolgt werden, um eine Beschädigung des Motors zu verhindern.

---

6. Ziehen Sie den Handschutz in Richtung des vorderen Handgriffs, um die Kettenbremse freizugeben.
7. Halten Sie den hinteren Griff mit der rechten Hand und den vorderen Handgriff mit der linken Hand.
8. Beginnen Sie mit dem Betrieb.

### So starten Sie den Motor, wenn der Kraftstoff zu heiß ist

Wenn das nicht Gerät startet, kann dies darauf zurückzuführen sein, dass der Kraftstoff zu heiß ist.

**Hinweis:** Verwenden Sie stets neuen Kraftstoff, und verringern Sie bei warmem Wetter die Betriebszeit.

---

1. Stellen Sie das Gerät an einem kühlen Ort ab, wo es keiner direkten Sonneneinstrahlung ausgesetzt ist.
2. Lassen Sie das Gerät mindestens 20 Minuten lang abkühlen.
3. Halten Sie die Kraftstoffpumpe wiederholt 10-15 Sekunden lang gedrückt.
4. Gehen Sie wie beim Starten eines kalten Motors vor. Siehe *So starten Sie bei kaltem Motor auf Seite 90*.

### So schalten Sie den Motor aus

- Drücken Sie den Stoppschalter, um den Motor auszustellen.
- 

**Hinweis:** Der Stoppschalter kehrt dann automatisch wieder in seine Ausgangsstellung zurück.

---

### So verwenden Sie eine Rindenstütze

Die Rindenstütze verhindert Rückschläge und hält das Holz beim Schneiden. Bei der Rindenstütze handelt es sich um ein Gelenk zwischen dem Motor und der Führungsschiene.

1. Platzieren Sie das untere Ende der Rindenstütze auf der richtigen Brechmaßbreite.
2. Während Sie den hinteren Griff mit der rechten Hand anheben, drücken Sie mit der linken Hand gegen den vorderen Handgriff.
3. Sägen Sie, bis Sie die richtige Brechmaßbreite hergestellt haben.

---

**Hinweis:** Das Brechmaß muss eine einheitliche Stärke besitzen.

---

4. Sägen Sie mehr als die Hälfte des Durchmessers, und setzen Sie dann den Fällkeil in den Sägeschnitt.

### So fällen Sie einen Baum

1. Entfernen Sie Schmutz, Steine, lose Rinde, Nägel, Klammern und Draht vom Baum.
2. Schneiden Sie eine Kerbe von 1/3 des Stammdurchmessers im rechten Winkel zur Fallrichtung.(Abb. 52 )
3. Stellen Sie den unteren horizontalen Kerbeschnitt her. Dies verhindert ein Einklemmen der Sägekette oder der Führungsschiene, wenn die zweite Kerbe geschnitten wird.
4. Stellen Sie den Fällschnitt (X) mindestens 50 mm höher als den horizontalen Kerbeschnitt her. Halten Sie den Fällschnitt parallel zum horizontalen Kerbeschnitt, damit ausreichend Holz für das Brechmaß verbleibt. Sägen Sie nicht durch das Brechmaß. Das Brechmaßholz verhindert, dass sich der Baumstamm verdreht und in die falsche Richtung fällt.(Abb. 53 )(Abb. 54 )
5. Der Baum beginnt zu fallen, wenn sich der Fällschnitt dem Brechmaß nähert. Stellen Sie sicher, dass der Baum in der richtigen Richtung fallen kann und nicht nach hinten schwankt und die Sägekette einklemmt. Um dies zu verhindern, beenden Sie den Fällschnitt, bevor er vollständig gesägt worden ist. Verwenden Sie Keile aus Holz, Kunststoff oder Aluminium, um den Sägeschnitt zu verbreitern und den Baum entlang der erforderlichen Linie fallen zu lassen.(Abb. 55 )
6. Wenn der Baum zu fallen beginnt, entfernen Sie das Gerät aus dem Schnitt. Stellen Sie den Motor ab, legen Sie das Gerät auf den Boden, und entfernen Sie sich auf dem vorgesehenen Fluchtweg. Achten Sie auf von oben herabfallende Äste, und achten Sie auf einen sicheren Stand.(Abb. 56 )

### So entasten Sie einen Baum

1. Verwenden Sie größere Äste, um den Baumstamm vom Boden fernzuhalten.
2. Entfernen Sie kleine Äste mit einem einzigen Schnitt. (Abb. 57 )
3. Schneiden Sie Äste, die unter Spannung stehen, von unten nach oben durch, um ein Einklemmen der Sägekette oder der Führungsschiene zu verhindern.

### So zersägen Sie einen Baumstamm



**ACHTUNG:** Achten Sie darauf, dass die Sägekette nicht den Boden berührt.

---

- Wenn der Stamm entlang seiner gesamten Länge abgestützt ist, zersägen Sie ihn von oben aus. (Abb. 58 )
- Wenn der Stamm an einem Ende abgestützt ist, durchsägen Sie 1/3 des Durchmessers von unterhalb des Stamms aus. (Abb. 59 )
- Wenn der Stamm an beiden Enden abgestützt ist, durchsägen Sie 1/3 des Durchmessers von oben aus. Durchsägen Sie die restlichen 2/3 des Durchmessers von unten aus, bis Sie auf den ersten Schnitt treffen. (Abb. 60 )
- Wenn Sie einen auf einem Hang liegenden Stamm zersägen, halten Sie sich stets bergauf vom Stamm auf. Durchsägen Sie den Stamm, während Sie die vollständige Kontrolle über das Gerät behalten. Geben Sie dann den Schnittdruck kurz vor dem Ende des Schnittes frei, während Sie den hinteren Griff und den vorderen Handgriff weiterhin fest halten. (Abb. 61 )

---

## WARTUNG

---



**WARNUNG:** Lesen Sie vor dem Reinigen, Reparieren oder Warten des Geräts das Kapitel über Sicherheit, und machen Sie sich damit vertraut.

### Wartungsplan

Achten Sie darauf, den Wartungsplan einzuhalten. Die Wartungsintervalle werden anhand der täglichen Nutzung des Gerätes berechnet. Wenn Sie nicht jeden Tag mit dem Gerät arbeiten, gelten andere Intervalle. Führen Sie nur diejenigen Wartungsarbeiten aus, die Sie in den Anweisungen in dieser Bedienungsanleitung finden. Wenden Sie sich bezüglich anderer Wartungsarbeiten, die in dieser Betriebsanleitung nicht aufgeführt sind, an ein autorisiertes Service Center.

### Tägliche Wartung

- Reinigen Sie die Außenflächen.
- Vergewissern Sie sich, dass die Sperre und der Gashebel ordnungsgemäß funktionieren.
- Reinigen Sie die Kettenbremse, und stellen Sie sicher, dass die Bremse ordnungsgemäß funktioniert.

(Abb. 62 )

- Untersuchen Sie den Kettenfänger auf Beschädigung. Ersetzen Sie den Kettenfänger bei Beschädigung.

(Abb. 63 )

- Drehen Sie die Führungsschiene täglich, um für gleichmäßigeren Verschleiß zu sorgen.
- Stellen Sie sicher, dass die Schmierbohrung in der Führungsschiene nicht verstopft ist.

(Abb. 64 )

- Reinigen Sie die Nut der Führungsschiene.

(Abb. 65 )

- Stellen Sie sicher, dass die Führungsschiene und die Sägekette ausreichend mit Öl versorgt werden.
- Untersuchen Sie die Sägekette auf:
  - Risse an Nieten und Gliedern.
  - Ungewöhnlich stark abgenutzte Nieten und Glieder.

- Korrekte Spannung.

Falls erforderlich, ersetzen Sie die Sägekette.

- Schärfen Sie die Sägekette. Siehe *So schärfen Sie die Sägekette auf Seite 93*.
- Kontrollieren Sie das Kettenantriebsrad auf übermäßigen Verschleiß und tauschen Sie es bei Bedarf aus.

(Abb. 66 )

- Reinigen Sie den Lufterlass der Startvorrichtung.
- Vergewissern Sie sich, dass alle Muttern und Schrauben fest angezogen sind.
- Vergewissern Sie sich, dass der Stoppschalter ordnungsgemäß funktioniert.
- Untersuchen Sie den Motor, den Kraftstofftank und die Kraftstoffleitungen auf Undichtigkeiten.
- Stellen Sie sicher, dass die Sägekette nicht rotiert, wenn der Motor im Leerlauf ist.

### Wöchentliche Wartung

- Vergewissern Sie sich, dass das Kühlsystem ordnungsgemäß funktioniert.
- Stellen Sie sicher, dass Startvorrichtung, Startseil und Rückstellfeder ordnungsgemäß funktionieren.
- Stellen Sie sicher, dass die Vibrationsdämpfer nicht beschädigt sind.

(Abb. 67 )

- Feilen Sie alle Grate an den Kanten der Führungsschiene plan.
- Reinigen Sie den Funkenschutz des Schalldämpfers, oder tauschen Sie ihn aus.

(Abb. 68 )

- Reinigen Sie die Außenflächen des Vergasers und die angrenzenden Bereiche.
- Reinigen Sie den Luftfilter. Montieren Sie einen neuen Luftfilter, wenn er beschädigt oder zu stark verschmutzt ist, sodass er nicht mehr vollständig gereinigt werden kann. Siehe *Reinigen des Luftfilters auf Seite 93* für weitere Informationen.

### Monatliche Wartung

- Kontrollieren Sie das Bremsband an der Kettenbremse auf Verschleiß. Wechseln Sie das

Bremsband aus, wenn seine Stärke an der am stärksten verschlissenen Stelle weniger als 0,6 mm beträgt.

(Abb. 69 )

- Kontrollieren Sie Kupplungszentrum, Kupplungstrommel und Kupplungsfeder auf Verschleiß.
- Reinigen Sie die Zündkerze. Stellen Sie sicher, dass der Elektrodenabstand korrekt ist.

(Abb. 70 )

- Reinigen Sie die Außenflächen des Vergasers und die angrenzenden Bereiche.
- Kontrollieren Sie den Kraftstofffilter und den Kraftstoffschlauch. Tauschen Sie sie bei Bedarf aus.
- Leeren Sie den Kraftstofftank.
- Leeren Sie den Öltank.
- Kontrollieren Sie alle Kabel und Anschlüsse.

## Jährliche Wartung

- Überprüfen Sie die Zündkerze.
- Reinigen Sie die Außenflächen des Vergasers und die angrenzenden Bereiche.
- Reinigen Sie das Kühlsystem.
- Überprüfen Sie den Funkenschutz.
- Überprüfen Sie den Kraftstofffilter.
- Untersuchen Sie den Kraftstoffschlauch auf Beschädigung.
- Kontrollieren Sie alle Kabel und Anschlüsse.

## Periodische Wartung

- Nach jeweils 50 Betriebsstunden muss der Schalldämpfer durch ein autorisiertes Service Center instandgesetzt bzw. ausgetauscht werden.
- Die Zündkerze muss gewartet werden, wenn:
  - Die Leistung des Motors zu niedrig ist.
  - Der Motor sich schwer starten lässt.
  - Der Motor nicht ordnungsgemäß im Leerlauf funktioniert.
- Kontrollieren Sie die Schmierung der Sägekette bei jedem Nachfüllen von Kraftstoff. Siehe *So prüfen Sie die Schmierung der Sägekette auf Seite 94.*

## So stellen Sie die Leerlaufdrehzahl ein

Stellen Sie sicher, dass der Luftfilter sauber ist und der Luftfilterdeckel befestigt wurde, bevor Sie die Leerlaufdrehzahl einstellen.

1. Drehen Sie die mit „T“ markierte Stellschraube für den Leerlauf im Uhrzeigersinn, bis sich die Sägekette zu drehen beginnt.
2. Drehen Sie die mit „T“ markierte Stellschraube für den Leerlauf entgegen dem Uhrzeigersinn, bis die Sägekette zum Stillstand kommt.
3. Die Leerlaufdrehzahl muss niedriger sein als die Geschwindigkeit, bei der sich die Sägekette zu drehen beginnt. Die Leerlaufdrehzahl ist richtig

eingestellt, wenn der Motor in allen Stellungen gleichmäßig läuft.

## So reinigen Sie den Funkenschutz

1. Reinigen Sie den Funkenschutz mit einer Drahtbürste.

## So warten Sie die Zündkerze



**ACHTUNG:** Verwenden Sie die empfohlene Zündkerze. Stellen Sie sicher, dass ein Ersatzteil mit dem vom Hersteller gelieferten Teil identisch ist. Eine falsche Zündkerze kann zu Schäden am Gerät führen.

1. Untersuchen Sie die Zündkerze auf unerwünschtes Material, wenn sich das Gerät nur schwer starten und betreiben lässt. So verringern Sie die Gefahr von unerwünschtem Material an den Elektroden der Zündkerze:
  - a) Vergewissern Sie sich, dass die Leerlaufdrehzahl richtig eingestellt ist.
  - b) Vergewissern Sie sich, dass das Kraftstoffgemisch korrekt ist.
  - c) Vergewissern Sie sich, dass der Luftfilter sauber ist.
2. Reinigen Sie die Zündkerze, wenn sie schmutzig ist. Stellen Sie sicher, dass der Elektrodenabstand korrekt ist.(Abb. 71 )
3. Tauschen Sie die Zündkerze bei Bedarf aus.

## Reinigen des Luftfilters

1. Nehmen Sie Luftfilterdeckel und Luftfilter ab.
2. Reinigen Sie den Luftfilter mit warmer Seifenlauge. Achten Sie darauf, dass der Luftfilter trocken ist, bevor Sie ihn wieder einbauen.
3. Tauschen Sie den Luftfilter aus, falls er für eine Reinigung zu stark verschmutzt ist. Tauschen Sie einen beschädigten Luftfilter unbedingt aus.

## So schärfen Sie die Sägekette

### Das Schneidwerkzeug

Das sägende Element einer Sägekette, das Schneidglied, besteht aus einem Schneidezahn (A) und einem Tiefenbegrenzer (B). Die Schnitttiefe ergibt sich aus der Tiefenbegrenzereinstellung (C), wobei es sich um den Höhenunterschied zwischen Schneidezahn und Tiefenbegrenzer handelt.

(Abb. 72 )

Beim Schärfen von Schneidezähnen sind vier Werte zu berücksichtigen.

- Schärfwinkel.

(Abb. 73 )

- Schnittwinkel.

(Abb. 74 )

- Schärposition.

(Abb. 75 )

- Durchmesser der Rundfeile.

(Abb. 76 )

## So schärfen Sie die Schneidezähne

Verwenden Sie eine Rundfeile und eine Feilenlehre zum Schärfen der Schneidezähne. Siehe *Kombinationen von Sägekettenfeile und Sägekette auf Seite 97* für weitere Informationen zu den empfohlenen Maßen von Feile und Feilenlehre für die an Ihrem Gerät montierte Sägekette.

1. Sorgen Sie dafür, dass die Kette ordnungsgemäß gespannt ist. Bei unzureichender Spannung ist die Sägekette in seitlicher Richtung instabil, was das korrekte Schärfen erschwert.
2. Schärfen Sie zuerst alle Zähne auf einer Seite. Schärfen Sie dann die Schneidezähne von der Innenseite aus, und verringern Sie den Druck bei der Rückholbewegung.
3. Drehen Sie das Gerät um, und schärfen Sie die Zähne auf der anderen Seite.
4. So schärfen, dass alle Zähne gleich lang sind. Wenn die Schneidezähne bis auf 4 mm Länge abgenutzt sind, ist die Sägekette unbrauchbar und muss ausgetauscht werden.(Abb. 77 )

## So justieren Sie die Tiefenbegrenzereinstellung

Schärfen Sie zuerst die Schneidezähne, bevor Sie den Tiefenbegrenzer justieren. Siehe *So schärfen Sie die Schneidezähne auf Seite 94*. Beim Schärfen des Schneidezahns wird die Tiefenbegrenzung (= Schnitttiefe) verringert. Um die maximale Schneidleistung beizubehalten, muss die Tiefenbegrenznase auf die empfohlene Höhe gesenkt werden. Siehe *Kombinationen von Sägekettenfeile und Sägekette auf Seite 97* zur Ermittlung der korrekten Tiefenbegrenzereinstellung für die Sägekette Ihrer Motorsäge.

(Abb. 78 )

(Abb. 79 )

---

**Hinweis:** Diese Empfehlung setzt voraus, dass die Länge der Schneidezähne nicht unnormal verkürzt worden ist.

---

Verwenden Sie eine Flachfeile und eine Schärfllehre zum Einstellen der Tiefenlehre.

1. Setzen Sie die Schärfllehre über die Sägekette. Informationen über die Verwendung der Schärfllehre sind auf der Verpackung angegeben.
2. Mit der Flachfeile den überschüssigen Teil der Tiefenbegrenznase abfeilen. Der

Tiefenbegrenzerabstand ist korrekt, wenn beim Feilen über die Lehre kein Widerstand mehr zu spüren ist.

## So spannen Sie die Sägekette

---

**Hinweis:** Überprüfen Sie die Spannung einer neuen Sägekette während der Einlaufzeit häufig.

---

1. Lösen Sie die Muttern der Führungsschiene, die die Kettenradabdeckung halten. Benutzen Sie dazu den Kombischlüssel. (Abb. 80 )
2. Ziehen Sie die Muttern der Führungsschiene dann so fest wie möglich von Hand an.
3. Heben Sie die Oberseite der Führungsschiene an, und dehnen Sie die Sägekette durch Drehen der Kettenspannschraube aus. Benutzen Sie dazu den Kombischlüssel. Spannen Sie die Sägekette, bis sie an der Unterseite der Führungsschiene nicht mehr durchhängt. (Abb. 81 )
4. Ziehen Sie die Muttern der Führungsschiene mit dem Kombischlüssel an, und heben Sie gleichzeitig die Führungsschienspitze an. (Abb. 82 )
5. Stellen Sie sicher, dass die Sägekette leicht von Hand gezogen werden kann und nicht durchhängt. (Abb. 83 )

## So schmieren Sie die Schneidaurüstung

### So prüfen Sie die Schmierung der Sägekette

Überprüfen Sie die Schmierung der Sägekette bei jedem Nachfüllen von Kraftstoff.

1. Starten Sie das Gerät, und lassen Sie es mit 3/4-Geschwindigkeit laufen. Richten Sie die Spitze der Führungsschiene auf eine hellfarbige Oberfläche in einem Abstand von etwa 20 cm.
2. Nach einer Laufzeit von 1 Minute erscheint eine Öllinie auf der hellen Oberfläche.
3. Wenn nach 1 Minute keine Öllinie sichtbar ist, reinigen Sie die Ölleitung in der Führungsschiene. Reinigen Sie die Nut in der Kante der Führungsschiene. Stellen Sie sicher, dass sich der Umlenkstern der Führungsschiene frei dreht und es keine Verstopfungen in der Schmierbohrung gibt. Reinigen und schmieren Sie den Umlenkstern.
4. Starten Sie das Gerät, und lassen Sie es mit 3/4-Geschwindigkeit laufen. Richten Sie die Spitze der Schiene auf eine hellfarbige Oberfläche in einem Abstand von etwa 20 cm.
5. Nach einer Laufzeit von 1 Minute erscheint eine Öllinie auf der hellen Oberfläche.
6. Wenn nach 1 Minute keine Öllinie sichtbar ist, wenden Sie sich an Ihren autorisierten Händler.

## TRANSPORT

- Leeren Sie Kraftstoff- und Kettenöltank vor einem Transport des Geräts. Entsorgen Sie die verbrauchten Flüssigkeiten vorschriftsmäßig.
- Bringen Sie während des Transports die Abdeckung der Führungsschiene an der Schneidausrüstung an. Dies verhindert, dass Personen die scharfe Sägekette versehentlich berühren. Auch eine nicht in Betrieb befindliche Sägekette kann Verletzungen verursachen, wenn Sie oder andere Personen die scharfe Sägekette berühren.
- Entfernen Sie die Zündkappe von der Zündkerze, und aktivieren Sie die Kettenbremse vor dem Transport.
- Sorgen Sie dafür, dass sich das Gerät während des Transports nicht bewegen kann.

## LAGERUNG

- Lagern Sie das Gerät grundsätzlich an einem sicheren Ort, wenn es nicht in Betrieb ist. Undichtigkeiten und Dämpfe, die aus dem Gerät entweichen, können mit Funken oder offenen Flammen in Kontakt kommen, die beispielsweise von Elektrogeräten, elektrischen Mähern, Relais/ Schaltern und Boilern erzeugt werden.
- Bewahren Sie Kraftstoff stets in einem zugelassenen Behälter auf.
- Leeren Sie den Kraftstoff- und Kettenöltank, wenn das Gerät über einen längeren Zeitraum hinweg eingelagert werden soll. Entsorgen Sie die verbrauchten Flüssigkeiten vorschriftsmäßig.
- Während der Lagerung muss die Abdeckung an der Führungsschiene angebracht sein. Dies verhindert, dass Personen die scharfe Sägekette versehentlich berühren. Auch eine nicht in Betrieb befindliche Sägekette kann Verletzungen verursachen, wenn Sie oder andere Personen die scharfe Sägekette berühren.
- Entfernen Sie die Zündkappe von der Zündkerze, und aktivieren Sie die Kettenbremse vor der Lagerung.

## TECHNISCHE DATEN

	Einheit	120 Mark II (P02138HV)
<b>Technische Daten des Motors</b>		
Hubraum	cm <sup>3</sup>	38
Zündkerze		Champion RCJ7Y
Elektrodenabstand	mm	0,5
Kraftstofftankinhalt	cm <sup>3</sup>	300
Leerlaufdrehzahl	min <sup>-1</sup>	2800-3200
Ausgangsleistung bei 9000 min <sup>-1</sup>	kW	1,4
Emissions-Dauerhaltbarkeitsperiode	h	50
<b>Lärm- und Vibrationsdaten</b>		
Äquivalente Vibrationspegel, a <sub>hveq</sub> , vorderer Griff <sup>26</sup>	m/s <sup>2</sup>	4,5
Äquivalente Vibrationspegel, a <sub>hveq</sub> , hinterer Griff <sup>27</sup>	m/s <sup>2</sup>	6,0

<sup>26</sup> Äquivalente Vibrationspegel, nach der ISO-Norm ISO 22867, werden berechnet als die zeitgewichtete energetische Summe der Vibrationspegel bei verschiedenen Betriebsarten. Berichten zufolge liegt der äquivalente Vibrationspegel normalerweise bei einer Ausbreitungsklasse (Standardabweichung) von 1 m/s<sup>2</sup>.

<sup>27</sup> Äquivalente Vibrationspegel, nach der ISO-Norm ISO 22867, werden berechnet als die zeitgewichtete energetische Summe der Vibrationspegel bei verschiedenen Betriebsarten. Berichten zufolge liegt der äquivalente Vibrationspegel normalerweise bei einer Ausbreitungsklasse (Standardabweichung) von 1 m/s<sup>2</sup>.

	Einheit	120 Mark II (P02138HV)
Schalleistungspegel, garantiert [L <sub>WA</sub> ] <sup>28</sup>	dB(A)	116
Gemessener Schalleistungspegel <sup>29</sup>	dB(A)	110
Schalldruckpegel am Ohr des Bedieners <sup>30</sup>	dB(A)	95
<b>Produktmaße</b>		
Gewicht (ohne Schneidusrüstung)	kg	4,9
Öltankinhalt	cm <sup>3</sup>	200
<b>Kraftstoff- und Schmiersystem</b>		
Fördermenge der Ölpumpe bei 9000 min <sup>-1</sup>	ml/min	7
Öltankinhalt	cm <sup>3</sup>	200
Ölpumpe, Typ		Automatisch
<b>Sägekette und Führungsschiene</b>		
Standardlänge der Führungsschiene	cm	35-40
Empfohlene Schienenlängen	cm	35-45 (14-18)
Effektive Schnittlänge	cm	34 – 39 (13,5 – 15,5)
Maximale Geschwindigkeit der Sägekette	m/s	22,3
Sägekettenteilung	mm	8,3 (0,325)
		9,52 (3/8)
Dicke der Treibglieder (Kettenstärke)	mm	1,3
Kettenantriebsrad-Ausführung		Stirnrad
Anzahl der Kettenantriebsradzähne		6 (Kettenantriebsradzähne 3/8)
		7 (Kettenantriebsradzähne 0,325)

---

## ZUBEHÖR

---

### Kombinationen von Führungsschiene und Sägekette

Die unten angegebene Schneidusrüstung ist für das Produkt zugelassen.

<sup>28</sup> Umweltbelastende Geräuschemissionen, gemessen als Schalleistung (L<sub>WA</sub>).

<sup>29</sup> Umweltbelastende Geräuschemissionen, gemessen als Schalleistung (L<sub>WA</sub>).

<sup>30</sup> Der äquivalente Schalldruckpegel wird berechnet als zeitgewichtete energetische Summe der Schalldruckpegel bei verschiedenen Betriebsarten. Die typische Ausbreitungsklasse für den äquivalenten Schalldruckpegel ist eine Standardabweichung von 1 dB(A).



Führungsschiene				Sägekette	
Länge, cm	Teilung, mm	Anzeige, mm	Max. Anzahl Zähne des Umlenksterns	Typ	Anzahl der Treibglieder
33	8,25	1,3	10T	Husqvarna H30	56
38	8,25				64
35	9,52		7T	Husqvarna H37	52
40	9,52				56
45	9,52				62

## Kombinationen von Sägekettenfeile und Sägekette

Sägekette					
Kettentyp	Rundfeilengröße	Seitenplattenwinkel	Winkel der oberen Platte	Feilenführungswinkel	Tiefenbegrenzeinstellung
H30	4,8 mm	60°	30°	10°	0,65 mm
H37	4,0 mm	60°	30°	0°	0,65 mm

## INHALT DER EU-KONFORMITÄTSERKLÄRUNG

Wir, Husqvarna AB, SE 561 82 Huskvarna, SCHWEDEN, erklären in alleiniger Verantwortung, dass das Gerät Folgendem genügt:

Beschreibung	Benzinmotorsäge
Marke	Husqvarna
Plattform/Typ/Modell	Plattform P02138HV, Modell 120 Mark II
Charge	Seriennummer ab Baujahr 2018

Es erfüllt die folgenden EU-Vorschriften und -Richtlinien:

Richtlinie/Verordnung	Beschreibung
2006/42/EG	„Über Maschinen“
2014/30/EG	EMV-Richtlinie
2000/14/EG	„über umweltbelastende Geräuschemissionen“

Harmonisierte Normen und/oder technische Spezifikationen gelten wie folgt: EN ISO 12100, EN ISO 11681-1, CISPR 12, ISO 14982

Die im Abschnitt „Technische Daten“ in dieser Bedienungsanleitung und in der signierten EU-Konformitätserklärung angegebenen Schallwerte entsprechen der EU-Richtlinie 2000/14/EG, Anhang V.

Der TÜV Rheinland LGA-Products GmbH, Angemeldete Prüfstelle für Maschinen (angemeldet unter 0197), Tillystraße 2, 90431 Nürnberg, Deutschland, hat eine EG-Typenprüfung gemäß 2006/42/EG, Artikel 12, Punkt 3b durchgeführt.

Das Typenprüfungszertifikat gemäß Anhang IX gilt, wie auf der unterzeichneten Konformitätserklärung angegeben, für alle Fertigungsstandorte und Ursprungsländer, wie auf dem Gerät angegeben.

Diese Motorsäge entspricht dem Geräteexemplar, das die EG-Typenprüfung durchlaufen hat.

---

## Περιεχόμενα

---

ΕΙΣΑΓΩΓΗ.....	98	ΜΕΤΑΦΟΡΑ.....	110
ΑΣΦΑΛΕΙΑ.....	99	ΦΥΛΑΞΗ.....	110
ΣΥΝΑΡΜΟΛΟΓΗΣΗ.....	103	ΤΕΧΝΙΚΑ ΣΤΟΙΧΕΙΑ.....	110
ΛΕΙΤΟΥΡΓΙΑ.....	104	ΑΞΕΣΟΥΑΡ.....	112
ΣΥΝΤΗΡΗΣΗ.....	107	ΠΕΡΙΕΧΟΜΕΝΑ ΤΗΣ ΔΗΛΩΣΗΣ ΣΥΜΜΟΡΦΩΣΗΣ ΕΚ.....	112

---

## ΕΙΣΑΓΩΓΗ

---

### Εγχειρίδιο χρήσης

Η αρχική γλώσσα του παρόντος εγχειριδίου χρήσης είναι τα Αγγλικά. Τα εγχειρίδια χρήσης σε άλλες γλώσσες είναι μεταφράσεις από τα Αγγλικά.

### Επισκόπηση

(Εικ. 1 )

1. Πινακίδα προϊόντος και αριθμού σειράς
2. Ασφάλεια σκανδάλης
3. Εμπρόσθια χειρολαβή
4. Κάλυμμα κυλίνδρου
5. Φρένο αλυσίδας και προφυλακτήρας μπροστινού χεριού
6. Εξάτμιση (σιγαστήρας)
7. Οδοντωτός προφυλακτήρας
8. Λάμα γραναζιού της μύτης της λάμας
9. Προφυλακτήρας δεξιού χεριού
10. Σκανδάλη
11. Κάλυμμα οδοντωτού τροχού
12. Συγκρατήτης αλυσίδας
13. Λάμα οδήγησης
14. Αλυσίδα πριονιού
15. Λαβή συστήματος εκκίνησης
16. Ντεπόζιτο λαδιού αλυσίδας
17. Μίζα
18. Ντεπόζιτο καυσίμου
19. Χειριστήριο τσοκ
20. Οπίσθια χειρολαβή
21. Διακόπτης διακοπής λειτουργίας
22. Βίδα ρύθμισης ρελαντί
23. Φούσκα πλήρωσης
24. Πληροφορίες και προειδοποιητικά σήματα
25. Βίδα τεντώματος αλυσίδας
26. Κάλυμμα λάμας
27. Πολυεργαλείο
28. Λάδι για δίχρονους κινητήρες
29. Εγχειρίδιο χρήσης (EPA)

### Σύμβολα στο προϊόν

- (Εικ. 2 ) Προειδοποίηση
- (Εικ. 3 ) Διαβάστε το παρόν εγχειρίδιο
- (Εικ. 4 ) Να χρησιμοποιείτε εγκεκριμένα προστατευτικά κεφαλής, ακοής και ματιών
- (Εικ. 5 ) Να χρησιμοποιείτε εγκεκριμένα προστατευτικά γάντια
- (Εικ. 6 ) Το προϊόν συμμορφώνεται με τις ισχύουσες οδηγίες της ΕΕ
- (Εικ. 7 ) Επίπεδο ισχύος ήχου
- (Εικ. 8 ) Φρένο αλυσίδας, μη ενεργοποιημένο (αριστερά). Φρένο αλυσίδας, ενεργοποιημένο (δεξιά)
- (Εικ. 9 ) Χειριστήριο τσοκ
- (Εικ. 10 ) Φούσκα πλήρωσης
- (Εικ. 11 ) Ανεφοδιασμός καυσίμου
- (Εικ. 12 ) Πλήρωση λαδιού αλυσίδας
- (Εικ. 13 ) Αυτό το προϊόν συμμορφώνεται με τις ισχύουσες οδηγίες EAC
- (Εικ. 14 ) Αυτό το προϊόν συμμορφώνεται με τις ισχύουσες οδηγίες για την Ουκρανία
- (Εικ. 15 ) Επίπεδο θορύβου
- (Εικ. 16 ) Να κρατάτε το προϊόν σωστά και με τα δύο χέρια
- (Εικ. 17 ) Μην το χρησιμοποιείτε με το ένα χέρι
- (Εικ. 18 ) Αποφύγετε την επαφή με τη μύτη της λάμας

(Εικ. 19) Προσοχή στο κλώσθημα

Αυτό το προϊόν συμφωνεί με τις ισχύουσες οδηγίες ηλεκτρομαγνητικής συμβατότητας

(Εικ. 20) για την Αυστραλία και τη Νέα Ζηλανδία.

**Περιεχόμενα** Άλλα σύμβολα/σήματα που υπάρχουν στο προϊόν αναφέρονται σε απαιτήσεις πιστοποίησης για άλλες εμπορικές περιοχές.

## Ευθύνη προϊόντος

Όπως αναφέρεται στη νομοθεσία περί ευθύνης για τα προϊόντα, δεν φέρουμε καμία ευθύνη για ζημιές που οφείλονται στο προϊόν μας εάν:

- Το προϊόν έχει επισκευαστεί λανθασμένα.
- Το προϊόν έχει επισκευαστεί με εξαρτήματα που δεν προέρχονται από τον κατασκευαστή ή που δεν έχουν εγκριθεί από τον κατασκευαστή.
- Το προϊόν διαθέτει ένα αξεσουάρ που δεν προέρχεται από τον κατασκευαστή ή που δεν έχει εγκριθεί από τον κατασκευαστή.
- Το προϊόν δεν έχει επισκευαστεί σε εγκεκριμένο κέντρο σέρβις ή από εγκεκριμένη αρχή.

# ΑΣΦΑΛΕΙΑ

## Ορισμοί για την ασφάλεια

Οι παρακάτω ορισμοί παρέχουν το βαθμό σοβαρότητας για κάθε προειδοποιητική λέξη.



**ΠΡΟΕΙΔΟΠΟΙΗΣΗ:** Τραυματισμός ατόμων.



**ΠΡΟΣΟΧΗ:** Ζημιά του προϊόντος.

**Περιεχόμενα** Αυτές οι πληροφορίες διευκολύνουν τη χρήση του προϊόντος.

## Γενικές οδηγίες ασφαλείας

- Χρησιμοποιήστε σωστά τα προϊόν. Λόγω της εσφαλμένης χρήσης μπορεί να προκληθεί τραυματισμός ή θάνατος. Χρησιμοποιήστε το προϊόν μόνο για τις εργασίες που αναφέρονται στο παρόν εγχειρίδιο. Μην χρησιμοποιείτε το προϊόν για άλλες εργασίες.
- Να διαβάσετε, να κατανοήσετε και να τηρείτε τις οδηγίες που παρέχονται σε αυτό το εγχειρίδιο. Τηρείτε τα σύμβολα ασφαλείας και τις οδηγίες ασφαλείας. Εάν ο χειριστής δεν τηρεί τις οδηγίες και τα σύμβολα, μπορεί να προκληθεί τραυματισμός, ζημιά ή θάνατος.
- Μην απορρίψετε αυτό το εγχειρίδιο. Χρησιμοποιήστε τις οδηγίες για τη συναρμολόγηση, τη χρήση και τη διατήρηση του προϊόντος σε καλή κατάσταση. Χρησιμοποιήστε τις οδηγίες για τη σωστή εγκατάσταση των εξαρτημάτων και των παρελκόμενων. Να χρησιμοποιείτε μόνο εγκεκριμένα εξαρτήματα και παρελκόμενα.
- Να μην χρησιμοποιείτε προϊόντα που παρουσιάζουν ζημιά. Να τηρείτε το πρόγραμμα συντήρησης. Να εκτελείτε μόνο τις εργασίες συντήρησης που αναφέρονται σε οδηγίες του παρόντος εγχειριδίου.

Όλες οι υπόλοιπες εργασίες συντήρησης πρέπει να εκτελούνται από ένα εγκεκριμένο κέντρο σέρβις.

- Το παρόν εγχειρίδιο δεν περιλαμβάνει όλες τις καταστάσεις που μπορεί να προκύψουν κατά τη χρήση του προϊόντος. Να είστε προσεκτικοί και να χρησιμοποιείτε την κοινή λογική. Να μην χρησιμοποιείτε το προϊόν και μην εκτελείτε συντήρηση σε αυτό, εάν δεν είστε σίγουροι για την κατάσταση. Απευθυνθείτε σε έναν ειδικό για το προϊόν, τον αντιπρόσωπό σας, τον αντιπρόσωπο σέρβις ή ένα εγκεκριμένο κέντρο σέρβις για πληροφορίες.
- Αποσυνδέστε το καλώδιο του μπουζί πριν από τη συναρμολόγηση του προϊόντος, την τοποθέτησή του στην περιοχή αποθήκευσης ή την εκτέλεση εργασιών συντήρησης.
- Μην χρησιμοποιείτε το προϊόν εάν τροποποιηθεί από τις αρχικές του προδιαγραφές. Μην αλλάξετε ένα εξάρτημα του προϊόντος χωρίς έγκριση από τον κατασκευαστή. Χρησιμοποιήστε μόνο εξαρτήματα που έχουν εγκριθεί από τον κατασκευαστή. Λόγω της εσφαλμένης συντήρησης μπορεί να προκληθεί τραυματισμός ή θάνατος.
- Μην αναπνέετε τα καυσάερα από τον κινητήρα. Η μακροπρόθεσμη εισπνοή αναθυμιάσεων της εξάτμισης του κινητήρα, μικροσταγονιδίων λαδιού από την αλυσίδα και σκόνης από πριονίδι μπορεί να είναι επικίνδυνη για την υγεία.
- Μην θέτετε το προϊόν σε λειτουργία σε εσωτερικό χώρο ή κοντά σε εύφλεκτα υλικά. Οι αναθυμιάσεις της εξάτμισης είναι καυτές και μπορεί να περιέχουν σπινθήρες που μπορεί να προκαλέσουν πυρκαγιά. Η ανεπαρκής ροή αέρα μπορεί να προκαλέσει τραυματισμό ή θάνατο λόγω ασφυξίας ή μονοξειδίου του άνθρακα.
- Αυτό το προϊόν δημιουργεί ηλεκτρομαγνητικό πεδίο κατά τη λειτουργία του. Το ηλεκτρομαγνητικό πεδίο μπορεί να προκαλέσει ζημιά στα ιατρικά εμφυτεύματα. Πρωτό χρησιμοποίηστε το προϊόν, συμβουλευθείτε το γιατρό σας ή τον κατασκευαστή του ιατρικού εμφυτεύματος.

- Μην επιτρέψετε σε παιδιά να χρησιμοποιήσουν το προϊόν.
- Μην επιτρέψετε σε άτομα που δεν έχουν διαβάσει τις οδηγίες να χρησιμοποιήσουν το προϊόν.
- Αν το προϊόν χρησιμοποιείται από ένα άτομο με μειωμένη σωματική ή διανοητική ικανότητα, θα πρέπει πάντα να το επιβλέψετε. Πρέπει να είναι παρών ένας υπεύθυνος ενήλικας ανά πάσα στιγμή.
- Ασφαλίστε το προϊόν σε σημείο στο οποίο δεν έχουν πρόσβαση παιδιά και μη εγκεκριμένα άτομα.
- Το προϊόν μπορεί να εκτινάξει αντικείμενα και να προκληθούν τραυματισμοί. Τηρείτε τις οδηγίες ασφαλείας για να μειώσετε τον κίνδυνο τραυματισμού ή θανάτου.
- Μην απομακρύνετε από το προϊόν όταν ο κινητήρας είναι σε λειτουργία. Σβήστε τον κινητήρα και βεβαιωθείτε ότι η αλυσίδα δεν περιστρέφεται.
- Ο χειριστής του προϊόντος είναι υπεύθυνος σε περίπτωση ατυχήματος.
- Βεβαιωθείτε ότι τα εξαρτήματα δεν έχουν υποστεί ζημιά πριν χρησιμοποιήσετε το προϊόν.
- Ανατρέξτε στην εθνική ή τοπική νομοθεσία. Μπορεί να εμποδίσει ή να μειώσει τη λειτουργία του προϊόντος σε ορισμένες περιπτώσεις.

## Οδηγίες ασφαλείας για τη λειτουργία

- Η συνεχής ή τακτική λειτουργία του προϊόντος μπορεί να προκαλέσει σύνδρομο Ρεϊνό ή αντίστοιχα προβλήματα υγείας λόγω των δονήσεων. Αν χρησιμοποιείτε το προϊόν συνεχώς ή τακτικά, να εξετάζετε συχνά την κατάσταση των χεριών και των δαχτύλων σας. Αν τα χέρια ή τα δαχτύλα σας έχουν αποχρωματιστεί ή αν παρατηρήσετε πόνο, σιμπίγματα ή μούδιασμα, σταματήστε τις εργασίες και απευθυνθείτε αμέσως σε έναν γιατρό.
- Βεβαιωθείτε ότι το προϊόν είναι πλήρως συναρμολογημένο πριν από τη χρήση του.
- Το προϊόν μπορεί να προκαλέσει την εκτίναξη αντικειμένων, τα οποία μπορούν να προκαλέσουν ζημιά στα μάτια. Να χρησιμοποιείτε πάντα εγκεκριμένη προστασία των ματιών κατά τη χρήση του προϊόντος.
- Να είστε προσεκτικοί! Ένα παιδί μπορεί να πλησιάσει στο προϊόν εν αγνοία σας κατά τη διάρκεια της λειτουργίας.
- Μην χρησιμοποιείτε το προϊόν εάν υπάρχουν άτομα στο χώρο εργασίας. Σταματήστε τη λειτουργία του προϊόντος εάν ένα άτομο μπει στο χώρο εργασίας.

(Εικ. 21)

- Βεβαιωθείτε ότι έχετε πάντα τον έλεγχο του προϊόντος.
- Πρέπει να χειρίζεστε το προϊόν και με τα δύο χέρια. Μην χειρίζεστε το προϊόν με το ένα χέρι. Ο χειρισμός με το ένα χέρι μπορεί να προκαλέσει σοβαρό τραυματισμό στο χειριστή ή/και σε άλλους παρευρισκόμενους.
- Κρατήστε την εμπρόσθια χειρολαβή με το αριστερό σας χέρι και την οπίσθια χειρολαβή με το δεξί σας

χέρι. Να κρατάτε το προϊόν στη δεξιά πλευρά του σώματός σας.

(Εικ. 22)

- Μην χρησιμοποιείτε ποτέ το προϊόν εάν είστε κουρασμένοι, άρρωστοι ή υπό την επήρεια αλκοόλ ή άλλων φαρμάκων.
- Να μην χρησιμοποιείτε το προϊόν εάν δεν μπορείτε να λάβετε βοήθεια σε περίπτωση ατυχήματος. Να ενημερώνετε πάντα τους γύρω σας πριν ξεκινήσετε να χρησιμοποιείτε το προϊόν.
- Μην γυρίζετε με το προϊόν πριν να βεβαιωθείτε ότι δεν υπάρχουν άτομα ή ζώα στην περιοχή ασφαλείας.
- Απομακρύνετε όλα τα ανεπιθύμητα υλικά από την περιοχή εργασίας πριν ξεκινήσετε. Εάν η αλυσίδα χτυπήσει κάποιο αντικείμενο, το αντικείμενο μπορεί να εκτιναχθεί και να προκληθεί τραυματισμός ή ζημιά. Γύρω από την αλυσίδα μπορεί να τυλιχθεί ανεπιθύμητο υλικό και να προκαλέσει ζημιά.
- Να μην χρησιμοποιείτε το προϊόν σε κακές καιρικές συνθήκες, όπως ομίχλη, βροχή, ισχυρούς ανέμους, κίνδυνο κεραυνού ή άλλες καιρικές συνθήκες. Μπορεί να προκύψουν επικίνδυνες συνθήκες, όπως ολισθηρές επιφάνειες, λόγω κακοκαιρίας.
- Φροντίστε να είστε σε θέση να μετακινήσετε ελεύθερα και να εργάζεστε σε σταθερή θέση.
- Βεβαιωθείτε ότι δεν μπορείτε να πέσετε όταν χρησιμοποιείτε το προϊόν. Μην γέρνετε όταν χρησιμοποιείτε το προϊόν.
- Κρατάτε πάντα το προϊόν και με τα δύο σας χέρια. Κρατήστε την εμπρόσθια χειρολαβή με το αριστερό σας χέρι και την οπίσθια χειρολαβή με το δεξί σας χέρι. Να κρατάτε το προϊόν στη δεξιά πλευρά του σώματός σας.
- Εάν το χειριστήριο τσοκ βρίσκεται στη θέση του τσοκ κατά την εκκίνηση του κινητήρα, η αλυσίδα αρχίζει να περιστρέφεται.
- Σβήστε τον κινητήρα πριν μετακινήσετε το προϊόν.
- Μην ακουμπάτε το προϊόν με τον κινητήρα σε λειτουργία.
- Σταματήστε τον κινητήρα πριν αφαιρέσετε τα ανεπιθύμητα υλικά από το προϊόν. Αφήστε την αλυσίδα να σταματήσει πριν απομακρύνετε το κομμένο υλικό, είτε εσείς είτε ο βοηθός σας.
- Μην χειρίζεστε αυτό το προϊόν επάνω σε δέντρο. Ο χειρισμός του προϊόντος πάνω σε δέντρο μπορεί να προκαλέσει τραυματισμό.

(Εικ. 23)

- Το φρένο της αλυσίδας πρέπει να είναι ενεργοποιημένο όταν εκκινείται το προϊόν, ώστε να μειώνεται ο κίνδυνος επαφής με την αλυσίδα του πριονιού κατά την εκκίνηση.

(Εικ. 24)

- Να αποφεύγετε τα κλωστήματα (πινάγματα), τις ολισθησείς, τις αναπηδήσεις και τις πτώσεις, καθώς μπορούν να οδηγήσουν σε σοβαρό τραυματισμό.
- Να τηρείτε όλες τις οδηγίες ασφαλείας, προς αποφυγή πιναγμάτων και άλλων δυνάμεων που μπορεί να οδηγήσουν σε σοβαρό τραυματισμό.

- Να ρυθμίζετε τακτικά το τέντωμα της αλυσίδας του πριονιού για να βεβαιώνετε ότι δεν έχει χαλαρώσει. Μια χαλαρή αλυσίδα πριονιού μπορεί να βγει από τη θέση της και να προκαλέσει σοβαρό ή θανατηφόρο τραυματισμό.
- Να μην κόβετε δέντρα χρησιμοποιώντας εσφαλμένη διαδικασία. Αυτό μπορεί να προκαλέσει τραυματισμό ατόμων, να χτυπήσει μια γραμμή παροχής ρεύματος ή να προκαλέσει ζημιά σε περιουσία.
- Ο χειριστής πρέπει να βρίσκεται προς την ανηφορική πλευρά του εδάφους, καθώς το δέντρο είναι πιθανό να κυλήσει ή να γλιστρήσει προς τα κάτω μετά την κοπή του.

(Εικ. 25)

- Πριν ξεκινήσετε τις κοπές, σχεδιάστε και ελευθερώστε έναν δρόμο διαφυγής. Η διαδρομή διαφυγής θα πρέπει να εκτείνεται πίσω και διαγώνια από την αναμενόμενη γραμμή της πτώσης.

(Εικ. 26)

- Να σβήνετε πάντα τον κινητήρα πριν μετακινήσετε το προϊόν μεταξύ των δέντρων.
- Να τοποθετήσετε σωστά τα πόδια σας στο έδαφος και να μοιράζετε ομοιόμορφα το βάρος.

(Εικ. 27)

- Να στέκεστε πάντα σταθερά και να χρησιμοποιείτε το αλυσοπριονίο μόνο όταν βρίσκεστε σε σταθερή, ασφαλή και επίπεδη επιφάνεια. Οι ολισθηρές ή μη σταθερές επιφάνειες, όπως οι σκάλες, μπορεί να προκαλέσουν απώλεια ισορροπίας ή ελέγχου.

(Εικ. 28)

## Κλωστήματα (τρίγωνα), ολισθήσεις, αναπηδήσεις και πτώσεις

Διάφορες δυνάμεις μπορεί να έχουν επιπτώσεις στον ασφαλή έλεγχο του προϊόντος.

- Η **ολισθηση** σημειώνεται όταν η λάμα γλιστρήσει ή κινηθεί γρήγορα κατά μήκος του ξύλου.
- Η **αναπήδηση** σημειώνεται όταν η λάμα ανασκώνει το ξύλο και το αγγίζει ξανά και ξανά.
- Η **πτώση** σημειώνεται όταν το προϊόν πέσει κάτω μετά την κοπή. Αυτό μπορεί να προκαλέσει την επαφή της κινούμενης αλυσίδας με ένα μέρος του σώματος ή άλλα αντικείμενα, προκαλώντας τραυματισμό ή ζημιά.
- Το **κλώστημα (τρίγωνα)** σημειώνεται όταν το άκρο της λάμας ακουμπήσει αντικείμενα και αρχίσει να μετακινείται προς τα πίσω, προς τα πάνω ή ξαφνικά προς τα εμπρός. Το κλώστημα (τρίγωνα) συμβαίνει επίσης όταν το ξύλο κλείσει και μαγκώσει την αλυσίδα πριονιού κατά την κοπή. Αν το προϊόν ακουμπήσει ένα αντικείμενο στο ξύλο, μπορεί να χάσετε τον έλεγχό του.

(Εικ. 29)

- **Κλώστημα (τρίγωνα) από περιστροφή** μπορεί να συμβεί όταν η αλυσίδα έρθει σε επαφή με κάποιο αντικείμενο στο επάνω άκρο της λάμας. Αυτό

μπορεί να προκαλέσει το σκάλωμα της αλυσίδας μέσα στο αντικείμενο, κάτι που προκαλεί το στιγμιαίο σταμάτημα της αλυσίδας. Το αποτέλεσμα είναι μια πολύ γρήγορη αντίστροφη αντίδραση η οποία μετακινεί τη λάμα προς τα πάνω και πίσω προς τον χειριστή.

(Εικ. 30)

(Εικ. 31)

- Το **κλώστημα (τρίγωνα) από πάσιμο** μπορεί να σημειωθεί όταν η αλυσίδα πριονιού σταματήσει ξαφνικά κατά την κοπή. Το ξύλο κλείνει και μαγκώνει την κινούμενη αλυσίδα του πριονιού κατά μήκος της επάνω πλευράς της λάμας. Η απότομη διακοπή της αλυσίδας αναστρέφει τη δύναμη της αλυσίδας και προκαλεί την μετακίνηση του προϊόντος προς την αντίθετη κατεύθυνση από εκείνη της περιστροφής της αλυσίδας. Το προϊόν μετακινείται προς τα πίσω, προς την κατεύθυνση του χειριστή.

(Εικ. 32)

- Το **τράβηγμα** μπορεί να σημειωθεί όταν η αλυσίδα του πριονιού σταματά ξαφνικά όταν η κινούμενη αλυσίδα ακουμπήσει ένα αντικείμενο μέσα στο ξύλο κατά μήκος της κάτω πλευράς της λάμας. Η απότομη διακοπή τραβάει το προϊόν προς τα εμπρός και μακριά από τον χειριστή, κάτι που μπορεί να προκαλέσει εύκολα την απώλεια ελέγχου από τον χειριστή.

(Εικ. 33)

Βεβαιωθείτε ότι έχετε κατανοήσει τις διαφορετικές δυνάμεις και πώς να τις αποτρέψετε πριν χρησιμοποιήσετε το προϊόν.

## Αποτροπή κλωστημάτων (τρίγωνα), ολισθήσεων, αναπηδήσεων και πτώσεων

- Φροντίστε να κρατάτε το προϊόν σφιχτά ενώ λειτουργεί ο κινητήρας. Βάλτε το δεξί σας χέρι στην οπίσθια χειρολαβή και το αριστερό σας χέρι στην εμπρόσθια χειρολαβή. Κρατήστε σφιχτά με τους αντίχειρες και τα δάχτυλα γύρω από τις χειρολαβές. Μην τις αφήνετε.
- Κρατήστε τον έλεγχο του προϊόντος κατά την κοπή και αφού το ξύλο πέσει στο έδαφος. Να μην αφήνετε το βάρος του προϊόντος να πέσει προς τα κάτω μετά την κοπή.(Εικ. 34)
- Βεβαιωθείτε ότι η περιοχή στην οποία κόβετε δεν έχει μπλοκαριστεί. Όταν χρησιμοποιείτε το προϊόν, μην αφήνετε το άκρο της λάμας να αγγίζει κορμούς, κλαδιά ή άλλα εμπόδια.
- Να κόβετε σε υψηλές στροφές ανά λεπτό (σ.α.λ) του κινητήρα.
- Μην τεντώνετε υπερβολικά και μην κόβετε σε ύψος πάνω από τον ώμο σας.(Εικ. 35)
- Να ακολουθείτε τις οδηγίες ακοσίματος και συντήρησης του κατασκευαστή για την αλυσίδα πριονιού.

- Να χρησιμοποιείτε μόνο ανταλλακτικές λάμες και αλυσίδες πριονιού που ορίζονται από τον κατασκευαστή.
- Αν η ρύθμιση του μετρητή βάθους είναι πολύ υψηλή, αυξάνεται ο κίνδυνος κλωστήματος.

### Προσωπικός εξοπλισμός προστασίας

- Να χρησιμοποιείτε πάντα σωστό προσωπικό εξοπλισμό προστασίας κατά τη χρήση του προϊόντος. Ο προσωπικός εξοπλισμός προστασίας δεν εξαλείφει τον κίνδυνο τραυματισμού. Ο προσωπικός εξοπλισμός προστασίας μειώνει το βαθμό τραυματισμού σε περίπτωση ατυχήματος.
- Γενικά, τα ρούχα θα πρέπει να είναι εφαρμοστά χωρίς να περιορίζουν την ελευθερία κινήσεων.
- Να χρησιμοποιείτε εγκεκριμένο κράνος προστασίας.
- Να χρησιμοποιείτε πάντα εγκεκριμένη προστασία αυτιών κατά τη χρήση του προϊόντος. Αν εκτεθείτε στον θόρυβο για μεγάλο χρονικό διάστημα, μπορεί να προκληθεί απώλεια ακοής.
- Να χρησιμοποιείτε πάντα προστατευτικά γυαλιά ή προστατευτικό γέισο προσώπου, για να μειώσετε τον κίνδυνο τραυματισμού από αντικείμενα που μπορεί να εκτοξευθούν. Το προϊόν είναι ικανό να εκτοξεύσει αντικείμενα, όπως ροκανίδια, μικρά κομμάτια ξύλου κ.λπ. με μεγάλη δύναμη. Αυτό μπορεί να προκαλέσει σοβαρό τραυματισμό, ιδιαίτερα στα μάτια.
- Να χρησιμοποιείτε γάντια προστασίας για χρήση με αλυσοπρίονο.
- Να χρησιμοποιείτε παντελόνι προστασίας για χρήση με αλυσοπρίονο.
- Να φοράτε μπότες για προστασία από αλυσοπρίονα με ενίσχυση στα δάχτυλα και αντιολισθητική σόλα.
- Βεβαιωθείτε ότι υπάρχει ένα κιτ πρώτων βοηθειών σε μικρή απόσταση.
- Η εξάτμιση (σιγαστήρας), η λάμα, η αλυσίδα του πριονιού ή και άλλες πηγές μπορεί να προκαλέσουν σπινθήρες. Για να εμποδίσετε την πρόκληση δασικών πυρκαγιών, πρέπει να έχετε πάντα διαθέσιμα εργαλεία πυρόσβεσης και ένα φτυάρι.

### Προστατευτικές διατάξεις στο προϊόν

- Βεβαιωθείτε ότι εκτελείτε τακτικά συντήρηση στο προϊόν.
  - Αυξάνεται η διάρκεια ζωής του προϊόντος.
  - Μειώνεται ο κίνδυνος ατυχημάτων.

Ένας εγκεκριμένος αντιπρόσωπος ή ένα εγκεκριμένο κέντρο σέρβις πρέπει να εξετάζει τακτικά το προϊόν για την εκτέλεση ρυθμίσεων ή επισκευών.

- Μην χρησιμοποιείτε προϊόντα με κατεστραμμένο εξοπλισμό προστασίας. Εάν το προϊόν έχει υποστεί ζημιά, απευθυνθείτε σε ένα εγκεκριμένο κέντρο σέρβις.

### Διακόπτης διακοπής λειτουργίας

Βάλτε μπροστά τον κινητήρα. Βεβαιωθείτε ότι ο κινητήρας σβήνει όταν μετακινείτε το διακόπτη λειτουργίας στη θέση διακοπής λειτουργίας.

### Για να ελέγξετε την ασφάλεια της σκανδάλης

1. Βεβαιωθείτε ότι η σκανδάλη (B) είναι ασφαλισμένη στο ρελαντί όταν αφήνετε την ασφάλεια σκανδάλης (A). (Εικ. 36 )
2. Πιέστε την ασφάλεια σκανδάλης (A) και βεβαιωθείτε ότι επιστρέφει στην αρχική της θέση όταν την αφήνετε.
3. Πιέστε την σκανδάλη (B) και βεβαιωθείτε ότι επιστρέφει στην αρχική της θέση όταν την αφήνετε.
4. Βάλτε μπροστά τον κινητήρα και κατόπιν ανοίξτε στη μέγιστη ταχύτητα.
5. Αφήστε την σκανδάλη και ελέγξτε εάν σταματά η αλυσίδα του πριονιού.
6. Εάν η αλυσίδα του πριονιού περιστρέφεται με τον κινητήρα στο ρελαντί, εξετάστε τη βίδα ρύθμισης ρελαντί του καρμπυρατέρ.

### Προφυλακτήρας

Ο προφυλακτήρας αποτρέπει την εκτίναξη αντικειμένων προς την κατεύθυνση του χειριστή. Ο προφυλακτήρας αποτρέπει επίσης την ακούσια του χειριστή με το αλυσοπρίονο.

- Βεβαιωθείτε ότι επιτρέπεται στον προφυλακτήρα η λειτουργία σε συνδυασμό με το προϊόν.
- Μην χρησιμοποιείτε το προϊόν χωρίς τον προφυλακτήρα.
- Βεβαιωθείτε ότι ο προφυλακτήρας δεν έχει υποστεί ζημιά. Αντικαταστήστε τον αν έχει φθαρεί ή καταστραφεί.

### Ασφάλεια καυσίμου

- Μην θέτετε το προϊόν σε λειτουργία, εάν υπάρχει καύσιμο ή λάδι κινητήρα στο προϊόν. Αφαιρέστε το ανεπιθύμητο καύσιμο/λάδι και αφήστε το προϊόν να στεγνώσει. Αφαιρέστε το ανεπιθύμητο καύσιμο από το προϊόν.
- Εάν χύσετε καύσιμο στα ρούχα σας, αλλάξτε τα αμέσως.
- Μην χύσετε καύσιμο στο σώμα σας, καθώς μπορεί να προκληθεί τραυματισμός. Εάν χύσετε καύσιμο στο σώμα σας, χρησιμοποιήστε σαπουνόνερο για να αφαιρέσετε το καύσιμο.
- Μην βάλτε μπροστά τον κινητήρα εάν χύσετε λάδι ή καύσιμο στο προϊόν ή στο σώμα σας.
- Μην θέσετε το προϊόν σε λειτουργία, εάν ο κινητήρας έχει διαρροή. Εξετάζετε τακτικά τον κινητήρα για διαρροές.
- Να είστε προσεκτικοί με το καύσιμο. Το καύσιμο είναι εύφλεκτο και οι αναθυμιάσεις είναι εκρηκτικές και μπορούν να προκαλέσουν τραυματισμό ή θάνατο.

- Μην εισπνεύσετε τις αναθυμιάσεις καυσίμου, καθώς μπορεί να προκληθεί τραυματισμός. Βεβαιωθείτε ότι υπάρχει επαρκής ροή αέρα.
- Μην καπνίζετε κοντά στο καύσιμο ή τον κινητήρα.
- Μην τοποθετείτε ζεστά αντικείμενα κοντά στο καύσιμο ή τον κινητήρα.
- Μην προσθέτετε καύσιμο όταν λειτουργεί ο κινητήρας.
- Βεβαιωθείτε ότι ο κινητήρας έχει κρυώσει πριν από τον ανεφοδιασμό.
- Πριν από τον ανεφοδιασμό, ανοίξτε αργά την τάπα του νετεπόζιτου καυσίμου και εκτονώστε προσεκτικά την πίεση.
- Μην προσθέτετε καύσιμο στον κινητήρα σε εσωτερικό χώρο. Η ανεπαρκής ροή αέρα μπορεί να προκαλέσει τραυματισμό ή θάνατο λόγω ασφυξίας ή μονοξειδίου του άνθρακα.
- Σφίξτε προσεκτικά την τάπα του νετεπόζιτου καυσίμου, διαφορετικά μπορεί να προκληθεί πυρκαγιά.
- Πριν από την εκκίνηση, μετακινήστε το προϊόν σε απόσταση τουλάχιστον 3 m (10 ft) από το σημείο όπου γεμίσατε το νετεπόζιτο.
- Μην προσθέτετε υπερβολική ποσότητα καυσίμου στο νετεπόζιτο καυσίμου.
- Βεβαιωθείτε ότι δεν μπορεί να προκληθεί διαρροή όταν μετακινείτε το προϊόν ή το δοχείο καυσίμου.
- Μην τοποθετείτε το προϊόν ή ένα δοχείο καυσίμου όπου υπάρχουν ακάλυπτες φλόγες, σπινθήρες ή φλόγιστρα. Βεβαιωθείτε ότι στην περιοχή αποθήκευσης δεν υπάρχουν ακάλυπτες φλόγες.
- Χρησιμοποιήστε μόνο εγκεκριμένα δοχεία όταν μετακινείτε το καύσιμο ή προσθέτετε το καύσιμο στην περιοχή αποθήκευσης.
- Αδειάζετε το νετεπόζιτο καυσίμου πριν από μακροχρόνια αποθήκευση. Τηρείτε την τοπική νομοθεσία σχετικά με την περιοχή απόρριψης καυσίμων.
- Καθαρίζετε το προϊόν πριν από μακροχρόνια αποθήκευση.
- Αφαιρέστε το καλώδιο του μπουζί πριν να τοποθετήσετε το προϊόν στην περιοχή αποθήκευσης, για να βεβαιωθείτε ότι ο κινητήρας δεν θα εκκινηθεί ακούσια.
- Αναθέστε όλες τις εργασίες συντήρησης των προϊόντων σε εγκεκριμένο αντιπρόσωπο, χωρίς να συμπεριλάβετε τις εργασίες του *ΣΥΝΤΗΡΗΣΗ στη σελίδα 107*.
- Βεβαιωθείτε ότι η αλυσίδα του πριονιού σταματά να κινείται μόλις απελευθερώνεται η σκανδάλη γκαζιού.
- Να διατηρείτε τις χειρολαβές στεγνές, καθαρές και χωρίς λάδια ή μίγμα καυσίμου.
- Να σφίγγετε σωστά τις τάπες και τις διατάξεις κλεισίματος.
- Τυχόν ανταλλακτικά εξαρτημάτων που δεν είναι εγκεκριμένα, ή η κατάργηση των συσκευιών ασφαλείας, μπορεί να προκαλέσουν ζημιά στο προϊόν. Αυτό μπορεί επίσης να προκαλέσει ενδεχόμενο τραυματισμό του χειριστή ή των παρευρισκομένων. Να χρησιμοποιείτε μόνο συνιστώμενα ανταλλακτικά και αξεσουάρ. Να μην πραγματοποιείτε μετατροπές στο προϊόν σας.
- Διατηρήστε την αλυσίδα του πριονιού ακοινισμένη και καθαρή για ασφαλή και υψηλή απόδοση.
- Να τηρείτε τις οδηγίες για τη λίπανση και την αλλαγή των αξεσουάρ.
- Ελέγξτε το προϊόν για κατεστραμμένα μέρη. Βεβαιωθείτε ότι ο κατεστραμμένος προφυλακτήρας ή το εξάρτημα λειτουργεί σωστά προτού συνεχίσετε να χρησιμοποιείτε το προϊόν. Ελέγξτε για σπασμένα ή λάθος ευθυγραμμισμένα μέρη, και για μέρη που δεν κινούνται ελεύθερα. Ελέγξτε για άλλες καταστάσεις που μπορεί να έχουν επιπτώσεις στη λειτουργία του προϊόντος. Βεβαιωθείτε ότι η αλυσίδα είναι σωστά εγκατεστημένη. Ο προφυλακτήρας ή άλλα κατεστραμμένα μέρη πρέπει να επισκευάζονται ή να αντικατασταθούν από εγκεκριμένο αντιπρόσωπο, εκτός και αν αναγράφεται στο εγχειρίδιο χρήσης.
- Όταν το προϊόν δεν βρίσκεται σε λειτουργία, κρατήστε το σε ξηρό μέρος, ψηλά ή κλειδωμένο, μακριά από τα παιδιά.
- Κατά τη μεταφορά ή την αποθήκευση του προϊόντος, χρησιμοποιήστε ένα κάλυμμα ή τη θήκη της λάμας για να μετακινήσετε το προϊόν.
- Να μην χρησιμοποιείτε απόβλητα λαδιού. Τα απόβλητα λαδιού μπορεί να είναι επικίνδυνα για εσάς και μπορεί να προκαλέσουν ζημιά στο προϊόν και το περιβάλλον.

## Οδηγίες ασφαλείας για τη συντήρηση

- Αποσυνδέστε το μπουζί πριν κάνετε συντήρηση του προϊόντος, χωρίς να συμπεριλάβετε τις ρυθμίσεις του καρμπυρατέρ.

---

## ΣΥΝΑΡΜΟΛΟΓΗΣΗ

---



**ΠΡΟΕΙΔΟΠΟΙΗΣΗ:** Προτού συναρμολογήσετε το προϊόν, διαβάστε και κατανοήστε το κεφάλαιο για την ασφάλεια.

### Συναρμολόγηση της λάμας και της αλυσίδας πριονιού

1. Μετακινήστε τον μπροστινό προφυλακτήρα προς την κατεύθυνση της εμπρόσθιας χειρολαβής για να ελευθερώσετε το φρένο αλυσίδας.

2. Διπλώστε τη λαβή προς τα έξω στην ανοικτή θέση. (Εικ. 37 )
3. Στρίψτε τη λαβή αριστερόστροφα για να ξεσφίξετε το κάλυμμα του συμπλέκτη.(Εικ. 38 )
4. Αφαιρέστε τη λαβή (Α) και τον οδοντωτό τροχό. Αφαιρέστε το προστατευτικό μεταφοράς, εάν υπάρχει. (Εικ. 39 )
5. Τοποθετήστε τη λάμα επάνω στα μπουζόνια της λάμας. Σπρώξτε τη λάμα τέρμα προς τα πίσω. Τοποθετήστε την αλυσίδα του πριονιού πάνω από τον οδοντωτό τροχό μετάδοσης κίνησης και τοποθετήστε τη μέσα στην εγκοπή της λάμας-οδηγού. Ξεκινήστε με το επάνω άκρο της λάμας οδήγησης. (Εικ. 40 )
6. Βεβαιωθείτε ότι τα άκρα των κρίκων κοπής είναι στραμμένα προς τα εμπρός στο επάνω άκρο της λάμας οδήγησης.
7. Τοποθετήστε το κάλυμμα του οδοντωτού τροχού και κατευθύνετε τον πείρο ρύθμισης αλυσίδας στην εγκοπή της λάμας. Βεβαιωθείτε ότι οι κρίκοι κίνησης της αλυσίδας είναι σωστά τοποθετημένοι στον οδοντωτό τροχό μετάδοσης κίνησης. Επίσης, βεβαιωθείτε ότι η αλυσίδα του πριονιού έχει τοποθετηθεί σωστά μέσα στην εγκοπή της λάμας-οδηγού. (Εικ. 41 )
8. Σφίξτε την αλυσίδα στρέφοντας τον τροχό προς τα κάτω (+). Σφίξτε την αλυσίδα ώστε να μην φτάνει χαμηλότερα από την κάτω πλευρά της λάμας-οδηγού. (Εικ. 42 )
9. Η αλυσίδα του πριονιού είναι σωστά σφιγμένη, καθώς δεν φτάνει χαμηλότερα από την κάτω πλευρά της λάμας, αλλά μπορείτε να την περιστρέψετε εύκολα με το χέρι.

10. Κρατήστε την άκρη της λάμας και γυρίστε τη λαβή δεξιόστροφα για να την σφίξετε. (Εικ. 43 )

- Να ελέγχετε συχνά το τέντωμα της αλυσίδας μετά από τη συναρμολόγηση μιας νέας αλυσίδας πριονιού και μέχρι να έχει λειτουργήσει.
- Να ελέγχετε τακτικά το τέντωμα της αλυσίδας. Το σωστό τέντωμα αλυσίδας οδηγεί σε καλή απόδοση κοπής και μεγάλη διάρκεια ζωής.

## Για να επαναφέρετε το φρένο αλυσίδας

Αν το κάλυμμα του συμπλέκτη αφαιρεθεί κατά λάθος ενώ το φρένο αλυσίδας είναι ασφαλισμένο, τότε το φρένο αλυσίδας πρέπει να απασφαλιστεί, ώστε το κάλυμμα του συμπλέκτη να μπορεί να συναρμολογηθεί χωρίς να κολλάει στην καμπίνα συμπλέκτη.



**ΠΡΟΣΟΧΗ:** Το ελατήριο του φρένου αλυσίδας είναι υπό τάση. Να προσέχετε ιδιαίτερα όταν κάνετε την επαναφορά.

**Περιεχόμενα** Μην κρατάτε τη στεφάνη φρένου ενώ προσπαθείτε να το επαναφέρετε.

1. Ευθυγραμμίστε τις εγκοπές στο εργαλείο λάμας, ώστε να ταιριάζουν με τον περιστρεφόμενο σύνδεσμο του φρένου.(Εικ. 44 )
2. Για να πραγματοποιήσετε επαναφορά του φρένου, περιστρέψτε το σύνδεσμο δεξιόστροφα μέχρι να σταματήσει. Ο εμπρός σύνδεσμος θα είναι στραμμένος προς τα κάτω όταν το φρένο αλυσίδας είναι απασφαλισμένο.(Εικ. 45 )(Εικ. 46 )

## ΛΕΙΤΟΥΡΓΙΑ



**ΠΡΟΕΙΔΟΠΟΙΗΣΗ:** Προτού χρησιμοποιήσετε το προϊόν, διαβάστε και κατανοήστε το κεφάλαιο για την ασφάλεια.

### Για να χρησιμοποιήσετε καύσιμο



**ΠΡΟΣΟΧΗ:** Αυτό το προϊόν έχει ένα δίχρονο κινητήρα. Χρησιμοποιήστε ένα μείγμα βενζίνης και λάδι δίχρονου κινητήρα. Βεβαιωθείτε ότι χρησιμοποιείτε τη σωστή ποσότητα λαδιού στο μείγμα. Τυχόν εσφαλμένη αναλογία βενζίνης και λαδιού μπορεί να προκαλέσει ζημιά στον κινητήρα.

### Αναλογία μίγματος καυσίμου

Η αναλογία μίγματος καυσίμου για τη βενζίνη και το λάδι για δίχρονο κινητήρα είναι 50:1 (2 %)

Βενζίνη	Λάδι δίχρονου κινητήρα
1 γαλόνι Η.Π.Α.	77 ml (2,6 oz)

Βενζίνη	Λάδι δίχρονου κινητήρα
1 γαλόνι Η.Β.	95 ml (3,2 oz)
5 l	100 ml (3,4 oz)

### Για να δημιουργήσετε το μείγμα καυσίμου

1. Προσδιορίστε τη σωστή ποσότητα βενζίνης και λαδιού κινητήρα (αναλογία μίγματος 50:1). Να μην δημιουργείτε ποσότητα μίγματος καυσίμου για περισσότερες από 30 ημέρες. Ανατρέξτε στην ενότητα *Για να χρησιμοποιήσετε καύσιμο στη σελίδα 104.*
2. Προσθέστε το μισό της ποσότητας βενζίνης σε ένα καθαρό δοχείο καυσίμου με μια βαλβίδα προστασίας από διαρροές.



**ΠΡΟΣΟΧΗ:** Μην χρησιμοποιείτε βενζίνη με συγκέντρωση αιθανόλης πάνω από 10% (E10). Μπορεί να προκληθεί ζημιά στο προϊόν.





**ΠΡΟΣΟΧΗ:** Μην χρησιμοποιείτε βενζίνη με αριθμό οκτανίων κάτω από 90 RON (87 AKI). Μπορεί να προκληθεί ζημιά στο προϊόν.

**Περιεχόμενα** Χρησιμοποιήστε βενζίνη με υψηλότερο αριθμό οκτανίων εάν χρησιμοποιείτε συχνά το προϊόν συνεχώς σε υψηλές στροφές ανά λεπτό (σ.α.λ.) του κινητήρα.

3. Συμπληρώστε την πλήρη ποσότητα λαδιού δίχρονου κινητήρα στο δοχείο καυσίμου.



**ΠΡΟΣΟΧΗ:** Να χρησιμοποιείτε πάντα υψηλής ποιότητας αερόψυκτο λάδι δίχρονου κινητήρα. Άλλα λάδια μπορεί να προκαλέσουν ζημιά στο προϊόν.

4. Ανακινήστε το μείγμα καυσίμου για να αναμίξετε τα περιεχόμενα.
5. Προσθέστε την υπόλοιπη ποσότητα βενζίνης στο δοχείο καυσίμου.
6. Ανακινήστε το μείγμα καυσίμου για να αναμίξετε τα περιεχόμενα.
7. Γεμίστε το ντεπόζιτο καυσίμου του προϊόντος με το μίγμα καυσίμου. Ανατρέξτε στην ενότητα *Για να χρησιμοποιήσετε καύσιμο στη σελίδα 104.*

## Γέμισμα ντεπόζιτου καυσίμου

1. Βεβαιωθείτε ότι το μίγμα καυσίμου είναι σωστό και ότι το μίγμα καυσίμου είναι σε ένα δοχείο καυσίμου με μια βαλβίδα προστασίας από διαρροές.
2. Εάν υπάρχει καύσιμο στο δοχείο, αφαιρέστε το ανεπιθύμητο καύσιμο και αφήστε το δοχείο να στεγνώσει.
3. Βεβαιωθείτε ότι η περιοχή κοντά στην τάπα του ντεπόζιτου καυσίμου είναι καθαρή.
4. Αφαιρέστε την τάπα ντεπόζιτου καυσίμου.
5. Ανακινήστε καλά το δοχείο καυσίμου πριν προσθέσετε το μείγμα καυσίμου στο ντεπόζιτο καυσίμου.
6. Επανατοποθετήστε την τάπα ντεπόζιτου καυσίμου.

## Λίπανση της αλυσίδας πριονιού

Το προϊόν διαθέτει αυτόματο σύστημα λίπανσης. Το ντεπόζιτο λαδιού της αλυσίδας πριονιού και το ντεπόζιτο καυσίμου έχουν σχεδιαστεί ώστε το καύσιμο να τελειώνει πριν από το λάδι της αλυσίδας πριονιού. Αυτό το χαρακτηριστικό ασφαλείας προϋποθέτει ότι χρησιμοποιείτε το σωστό λάδι αλυσίδας και ότι ακολουθείτε σωστά τις οδηγίες.

1. Να χρησιμοποιείτε φυτικής προέλευσης λάδι αλυσίδας πριονιού ή ένα τυπικό λάδι αλυσίδας.
2. Βεβαιωθείτε ότι η περιοχή κοντά στην τάπα του ντεπόζιτου λαδιού αλυσίδας πριονιού είναι καθαρή.
3. Αφαιρέστε την τάπα του ντεπόζιτου λαδιού της αλυσίδας πριονιού.

4. Γεμίστε το ντεπόζιτο λαδιού αλυσίδας πριονιού με το συνιστώμενο λάδι αλυσίδας πριονιού.
5. Επανατοποθετήστε την τάπα του ντεπόζιτου λαδιού αλυσίδας πριονιού.

## Για εκκίνηση και σταμάτημα

### Προτού εκκινήσετε τον κινητήρα

- Ελέγξτε το προϊόν για εξαρτήματα που λείπουν, έχουν υποστεί ζημιά, έχουν χαλαρώσει ή φθαρεί.
- Ελέγξτε τα παζιμάδια, τις βίδες και τα μπουλόνια.
- Ελέγξτε το φίλτρο αέρα.
- Ελέγξτε τη σωστή λειτουργία της ασφάλειας σκανδάλης και της σκανδάλης.
- Ελέγξτε αν λειτουργεί σωστά ο διακόπτης διακοπής λειτουργίας.
- Ελέγξτε το προϊόν για διαρροές καυσίμου.
- Ελέγξτε το ακόνισμα και την τάνυση της αλυσίδας πριονιού.

### Εκκίνηση με κρύο κινητήρα

1. Μετακινήστε τον προφυλακτήρα μπροστινού χεριού προς τα εμπρός, για να ενεργοποιήσετε το φρένο της αλυσίδας. (Εικ. 47 )
2. Πιέστε τη φούσκα πλήρωσης 6 φορές. (Εικ. 48 )
3. Μετακινήστε το χειριστήριο του τσοκ στη θέση "πλήρες τσοκ". (Εικ. 49 )
4. Κρατήστε το σώμα του προϊόντος στο έδαφος με το αριστερό σας χέρι. Τοποθετήστε το δεξιό σας πόδι στην οπίσθια χειρολαβή για να σταθεροποιηθεί το αλυσοπρίνο. Τραβήξτε αργά τη λαβή του κορδονιού της μίζας μέχρι να αισθανθείτε αντίσταση. Στη συνέχεια, τραβήξτε δυνατά τη λαβή του κορδονιού της μίζας 5 φορές. (Εικ. 50 )

**Περιεχόμενα** Μην τραβάτε την σκανδάλη ενώ προσπαθείτε να βάλετε μπροστά τον κινητήρα.

5. Μετακινήστε το χειριστήριο του τσοκ στη θέση no choke.
6. Τραβήξτε τη λαβή του κορδονιού της μίζας μέχρι να ξεκινήσει ο κινητήρας. Περιμένετε 60 δευτερόλεπτα μετά από την εκκίνηση, πριν τραβήξετε τη σκανδάλη.



**ΠΡΟΣΟΧΗ:** Μην τραβήξετε το κορδόνι της μίζας μέχρι να σβήσει. Μην αφήσετε το κορδόνι της μίζας όταν εκταθεί πλήρως. Αφήστε αργά το κορδόνι της μίζας. Να τηρείτε αυτές τις οδηγίες για να αποφύγετε την πρόκληση ζημιάς στον κινητήρα.

7. Μετακινήστε το μπροστινό προφυλακτήρα προς την κατεύθυνση της εμπρόσθιας χειρολαβής για να ελευθερώσετε το φρένο αλυσίδας.
8. Κρατήστε την οπίσθια χειρολαβή με το δεξιό σας χέρι και την εμπρόσθια χειρολαβή με το αριστερό σας χέρι.

9. Χρησιμοποιήστε το προϊόν.

## Για εκκίνηση με ζεστό κινητήρα

1. Μετακινήστε τον προφυλακτήρα μπροστινού χειριού προς τα εμπρός, για να ενεργοποιήσετε το φρένο της αλυσίδας.
2. Πιέστε τη φούσκα πλήρωσης 6 φορές.
3. Μετακινήστε το χειριστήριο του τσοκ στη θέση "πλήρης τσοκ".
4. Μετακινήστε το χειριστήριο του τσοκ στη θέση no choke.
5. Κρατήστε το σώμα του προϊόντος στο έδαφος με το αριστερό σας χέρι. Τοποθετήστε το δεξί σας πόδι στην οπίσθια χειρολαβή για να σταθεροποιηθεί το αλυσοπρίονο. Τραβήξτε αργά τη λαβή του κορδονιού της μίζας μέχρι να αισθανθείτε αντίσταση. Στη συνέχεια τραβήξτε δυνατά τη λαβή του κορδονιού της μίζας μέχρι να ξεκινήσει ο κινητήρας. (Εικ. 51 )

**Περιεχόμενα** Μην τραβάτε την σκανδάλη ενώ προσπαθείτε να βάλετε μπροστά τον κινητήρα.



**ΠΡΟΣΟΧΗ:** Μην τραβήξετε το κορδόνι της μίζας μέχρι να σβήσει. Μην αφήσετε το κορδόνι της μίζας όταν εκταθεί πλήρως. Αφήστε αργά το κορδόνι της μίζας. Να τηρείτε αυτές τις οδηγίες για να αποφύγετε την πρόκληση ζημιάς στον κινητήρα.

6. Μετακινήστε τον μπροστινό προφυλακτήρα προς την κατεύθυνση της εμπρόσθιας χειρολαβής για να ελευθερώσετε το φρένο αλυσίδας.
7. Κρατήστε την οπίσθια χειρολαβή με το δεξί σας χέρι και την εμπρόσθια χειρολαβή με το αριστερό σας χέρι.
8. Χρησιμοποιήστε το προϊόν.

## Εκκίνηση του κινητήρα όταν το καύσιμο είναι υπερβολικά ζεστό

Εάν το προϊόν δεν ξεκινάει, το καύσιμο μπορεί να είναι υπερβολικά ζεστό.

**Περιεχόμενα** Να χρησιμοποιείτε πάντα νέα καύσιμα και μειώνετε το χρόνο λειτουργίας όταν ο καιρός είναι ζεστός.

1. Τοποθετήστε το προϊόν σε δροσερό χώρο μακριά από την ηλιακή ακτινοβολία.
2. Αφήστε το προϊόν να κρυώσει για 20 λεπτά τουλάχιστον.
3. Πιέστε την φούσκα πλήρωσης ξανά και ξανά για 10-15 δευτερόλεπτα.
4. Ακολουθήστε τη διαδικασία εκκίνησης με κρύο κινητήρα. Ανατρέξτε στην ενότητα *Εκκίνηση με κρύο κινητήρα στη σελίδα 105*.

## Σβήσιμο του κινητήρα

- Πιέστε τον διακόπτη λειτουργίας για να σβήσετε τον κινητήρα.

**Περιεχόμενα** Ο διακόπτης διακοπής λειτουργίας επιστρέφει αυτόματα στην αρχική του θέση.

## Χρήση οδοντωτού προφυλακτήρα

Ο οδοντωτός προφυλακτήρας αποτρέπει τα κλωστήματα (πινάγματα) και συγκρατεί το ξύλο καθώς κόβετε. Ο οδοντωτός προφυλακτήρας είναι ένας περιστρεφόμενος άξονας μεταξύ του σώματος του κινητήρα και της λάμας.

1. Τοποθετήστε το κάτω άκρο του οδοντωτού προφυλακτήρα στο σωστό πλάτος άρθρωσης.
2. Πιέστε με το αριστερό σας χέρι, αντίθετα από την εμπρόσθια χειρολαβή ενώ ανασακώνετε την οπίσθια χειρολαβή με το δεξί σας χέρι.
3. Πριονίστε μέχρι να λάβετε το σωστό πλάτος άρθρωσης.

**Περιεχόμενα** Η άρθρωση πρέπει να έχει ίσο πάχος.

4. Πριονίστε περισσότερο από το μισό της διαμέτρου και στη συνέχεια τοποθετήστε τη σφήνα πτώσης στην εγκοπή του δισκοπρίονου.

## Υλοτόμηση δέντρου

1. Αφαιρέστε τυχόν ρύπους, πέτρες, χαλαρό φλοιό, καρφιά, συνδετήρες και καλώδια από το δέντρο.
2. Σχηματίστε μια εγκοπή στο 1/3 της διαμέτρου του δέντρου, κάθετα προς την κατεύθυνση της πτώσης. (Εικ. 52 )
3. Σχηματίστε την κατώτερη οριζόντια εγκοπή κοπής. Αυτό βοηθάει στην αποφυγή μαγκώματος της αλυσίδας του πριονιού ή της λάμας κατά το σχηματισμό της δεύτερης εγκοπής.
4. Σχηματίστε την κοπή οπίσθιας ρίψης (X) τουλάχιστον 50 mm (2 ίντσες) υψηλότερα από την οριζόντια εγκοπή κοπής. Κρατήστε την κοπή οπίσθιας ρίψης παράλληλη προς την οριζόντια εγκοπή κοπής, ώστε να απομείνει αρκετό ξύλο για να δημιουργηθεί άρθρωση. Μην κόβετε μέσα από την άρθρωση. Η άρθρωση στο ξύλο αποτρέπει το δέντρο από συστοφή και πτώση με εσφαλμένη φορά. (Εικ. 53 ) (Εικ. 54 )
5. Καθώς η κοπή οπίσθιας ρίψης πλησιάζει την άρθρωση, το δέντρο αρχίζει να πέφτει. Βεβαιωθείτε ότι το δέντρο μπορεί να πέσει προς τη σωστή κατεύθυνση αντί να κουνηθεί προς τα εμπρός και να μαγκώσει την αλυσίδα του πριονιού. Σταματήστε την κοπή πριν ολοκληρωθεί η κοπή οπίσθιας ρίψης ώστε να αποφευχθεί το ενδεχόμενο αυτό. Χρησιμοποιήστε ξύλινες, πλαστικές ή αλουμιένιες σφήνες για να ανοίξετε την κοπή και αφήστε το δέντρο να πέσει κατά μήκος της απαραίτητης γραμμής πτώσης. (Εικ. 55 )

6. Όταν το δέντρο αρχίζει να πέφτει, αφαιρέστε το προϊόν από την τομή, σβήστε τον κινητήρα, αφήστε κάτω το προϊόν και χρησιμοποιήστε την προγραμματισμένη διαδρομή απομάκρυνσης. Να είστε σε εγρήγορση για τυχόν κλαδιά που μπορεί να πέσουν πάνω σας και να προσέχετε πού πατάτε. (Εικ. 56 )

## Ξεκλάρισμα δέντρου

1. Χρησιμοποιήστε μεγαλύτερα κλαδιά για να συγκρατήσετε τον κορμό μακριά από το έδαφος.
2. Αφαιρέστε τα μικρά κλαδιά με ένα κόψιμο. (Εικ. 57 )
3. Κόψτε τα κλαδιά που έχουν τάση από τη βάση προς την κορυφή για να αποτρέψετε το μάγκωμα της αλυσίδας του πριονιού ή της λάμας.

## Τεμαχισμός κορμού



**ΠΡΟΣΟΧΗ:** Μην αφήνετε την αλυσίδα του πριονιού να έρθει σε επαφή με το έδαφος.

## ΣΥΝΤΗΡΗΣΗ



**ΠΡΟΕΙΔΟΠΟΙΗΣΗ:** Διαβάστε και κατανοήστε το κεφάλαιο για την ασφάλεια προτού εκτελέσετε εργασίες καθαρισμού, επισκευής ή συντήρησης στο προϊόν.

## Πρόγραμμα συντήρησης

Βεβαιωθείτε ότι μπορείτε να τηρείτε το πρόγραμμα συντήρησης. Τα διαστήματα υπολογίζονται με βάση την καθημερινή χρήση του προϊόντος. Τα διαστήματα είναι διαφορετικά εάν δεν χρησιμοποιείτε το προϊόν καθημερινά. Εκτελείτε μόνο τις εργασίες συντήρησης που αναφέρονται στο παρόν εγχειρίδιο. Απευθυνθείτε σε ένα εγκεκριμένο κέντρο σέρβις σχετικά με τις υπόλοιπες εργασίες συντήρησης που δεν αναφέρονται στο παρόν εγχειρίδιο.

## Καθημερινή συντήρηση

- Καθαρίστε τις εξωτερικές επιφάνειες.
- Βεβαιωθείτε ότι η ασφάλεια και η σκανδάλη λειτουργούν σωστά.
- Καθαρίστε το φρένο αλυσίδας και βεβαιωθείτε ότι λειτουργεί σωστά.

(Εικ. 62 )

- Εξετάστε τον συγκρατητή αλυσίδας για ζημιές. Αντικαταστήστε τον συγκρατητή αλυσίδας εάν έχει υποστεί ζημιά.

(Εικ. 63 )

- Να περιστρέψετε τη λάμα καθημερινά, ώστε να φθείρεται ομοιόμορφα.
- Βεβαιωθείτε ότι η οπή λίπανσης της λάμας δεν είναι φραγμένη.

- Αν ο κορμός στηρίζεται σε όλο το μήκος του, κόψτε από το επάνω μέρος του κορμού. (Εικ. 58 )
- Αν ο κορμός στηρίζεται στο ένα άκρο, κόψτε το 1/3 της διαμέτρου από το κάτω μέρος του κορμού. (Εικ. 59 )
- Αν ο κορμός στηρίζεται στα δύο άκρα, κόψτε το 1/3 της διαμέτρου από το επάνω μέρος. Ολοκληρώστε την κοπή κόβοντας τα 2/3 από το κάτω μέρος του κορμού για να αγγίξετε την πρώτη κοπή. (Εικ. 60 )
- Αν τεμαχίζετε έναν κορμό σε έδαφος με κλίση, να στέκεστε πάντα στην ψηλότερη πλευρά του κορμού. Κόψτε τον κορμό διατηρώντας τον πλήρη έλεγχο του προϊόντος και στη συνέχεια χαλαρώστε την πίεση κοπής κοντά στο άκρο της τομής κρατώντας σταθερά την πίσω και την μπροστινή λαβή. (Εικ. 61 )

(Εικ. 64 )

- Καθαρίστε την εγκοπή της λάμας.

(Εικ. 65 )

- Βεβαιωθείτε ότι πηγαίνει αρκετό λάδι στη λάμα και στην αλυσίδα πριονιού.
- Ελέγξτε την αλυσίδα πριονιού:
  - για ρωγμές στα πριτσίνια και τους συνδέσμους.
  - για ακανόνιστα φθαρμένα πριτσίνια και συνδέσμους.
  - για σωστή τάνυση.

Εάν είναι απαραίτητο, αντικαταστήστε την αλυσίδα του πριονιού.

- Ακονίστε την αλυσίδα πριονιού. Ανατρέξτε στην ενότητα *Ακόνισμα αλυσίδας πριονιού στη σελίδα 109*.
- Ελέγξτε τον οδοντωτό τροχό μετάδοσης κίνησης για υπερβολική φθορά και αντικαταστήστε τον, αν χρειάζεται.

(Εικ. 66 )

- Καθαρίστε την εισαγωγή αέρα στη μονάδα εκκίνησης.
- Βεβαιωθείτε ότι τα παζιμάδια και οι βίδες είναι σφιγμένα.
- Βεβαιωθείτε ότι ο διακόπτης διακοπής λειτουργίας δουλεύει σωστά.
- Ελέγξτε τον κινητήρα, το ντεπόζιτο και τους σωλήνες καυσίμου για διαρροές καυσίμου.
- Βεβαιωθείτε ότι η αλυσίδα του πριονιού δεν περιστρέφεται, όταν ο κινητήρας είναι στο ρελαντί.

## Εβδομαδιαία συντήρηση

- Βεβαιωθείτε ότι το σύστημα ψύξης δουλεύει σωστά.
- Βεβαιωθείτε ότι η μίζα, το κορδόνι της μίζας και το ελατήριο επιστροφής λειτουργούν σωστά.
- Βεβαιωθείτε ότι το σύστημα απόσβεσης κραδασμών δεν έχει υποστεί ζημία.

(Εικ. 67 )

- Λιμάρετε όλα τα ρινίσματα από τις άκρες της λάμας.
- Καθαρίστε ή αντικαταστήστε τη φλογοπαγίδα στην εξάτμιση (σιγαστήρα).

(Εικ. 68 )

- Καθαρίστε τις εξωτερικές επιφάνειες του καρμπυρατέρ και τις γειτονικές περιοχές.
- Καθαρίστε το φίλτρο αέρα. Τοποθετήστε ένα νέο φίλτρο αέρα, αν έχει υποστεί φθορά ή αν είναι πολύ λερωμένο για να καθαριστεί πλήρως. Βλ. *Καθαρίστε το φίλτρο αέρα στη σελίδα 108* για περαιτέρω πληροφορίες.

## Μηνιαία συντήρηση

- Ελέγξτε τη στεφάνη του φρένου στο φρένο της αλυσίδας για φθορές. Αντικαταστήστε όταν το πάχος της στεφάνης του φρένου είναι μικρότερο από 0,6 mm (0,024 ίντσες) στο σημείο με τη μεγαλύτερη φθορά.

(Εικ. 69 )

- Ελέγξτε το κέντρο του συμπλέκτη, την καμπάνα του συμπλέκτη και το ελατήριο του συμπλέκτη για φθορά.
- Καθαρίστε το μπουζί. Βεβαιωθείτε ότι το διάκενο ηλεκτροδίου είναι σωστό.

(Εικ. 70 )

- Καθαρίστε τις εξωτερικές επιφάνειες του καρμπυρατέρ και τις γειτονικές περιοχές.
- Ελέγξτε το φίλτρο καυσίμου και τον σωλήνα καυσίμου. Αντικαταστήστε, αν χρειάζεται.
- Αδειάστε το ντεπόζιτο καυσίμου.
- Αδειάστε το ντεπόζιτο λαδιού.
- Εξετάστε όλα τα καλώδια και τις συνδέσεις.

## Ετήσια συντήρηση

- Εξετάστε το μπουζί.
- Καθαρίστε τις εξωτερικές επιφάνειες του καρμπυρατέρ και τις γειτονικές περιοχές.
- Καθαρίστε το σύστημα ψύξης.
- Εξετάστε το πλέγμα της φλογοπαγίδας.
- Εξετάστε το φίλτρο καυσίμου.
- Εξετάστε το σωλήνα καυσίμου για ζημιές.
- Εξετάστε όλα τα καλώδια και τις συνδέσεις.

## Διακεκομμένη συντήρηση

- Αναθέστε την επισκευή ή την αντικατάσταση της εξάτμισης (σιγαστήρα) σε ένα εγκεκριμένο κέντρο σέρβις μετά από 50 ώρες λειτουργίας.

- Κάνετε συντήρηση στο μπουζί όταν:
  - το επίπεδο ισχύος στον κινητήρα είναι χαμηλό.
  - είναι δύσκολο να ξεκινήσει ο κινητήρας.
  - ο κινητήρας δεν λειτουργεί σωστά στο ρελαντί.
- Κάντε έναν έλεγχο στην λίπανση της αλυσίδας του πριονιού κάθε φορά που βάζετε καύσιμο. Ανατρέξτε στην ενότητα *Έλεγχος της λίπανσης της αλυσίδας του πριονιού στη σελίδα 110*.

## Για να ρυθμίσετε τις στροφές ανά λεπτό ρελαντί

Βεβαιωθείτε ότι το φίλτρο αέρα είναι καθαρό και ότι το κάλυμμα φίλτρου αέρα είναι προσαρτημένο, πριν από τη ρύθμιση των στροφών ανά λεπτό ρελαντί.

1. Περιστρέψτε δεξιόστροφα τη βίδα ρύθμισης ρελαντί, η οποία αναγνωρίζεται με ένα σημάδι "T", μέχρι η αλυσίδα πριονιού να αρχίσει να περιστρέφεται.
2. Περιστρέψτε αριστερόστροφα τη βίδα ρύθμισης ρελαντί, η οποία αναγνωρίζεται με ένα σημάδι "T", μέχρι η αλυσίδα πριονιού να σταματήσει.
3. Οι στροφές ανά λεπτό ρελαντί πρέπει να είναι λιγότερες από τις στροφές που παρατηρούνται τη στιγμή που η αλυσίδα πριονιού αρχίζει να γυρίζει. Οι στροφές ανά λεπτό ρελαντί είναι σωστές όταν ο κινητήρας λειτουργεί ομαλά σε όλες τις θέσεις.

## Για να καθαρίσετε τη σήτα ανάσχεσης σπινθήρων

1. Χρησιμοποιήστε συρματόβουρτσα για να καθαρίσετε το πλέγμα της φλογοπαγίδας.

## Εκτέλεση εργασιών συντήρησης στο μπουζί



**ΠΡΟΣΟΧΗ:** Χρησιμοποιήστε το συνιστώμενο μπουζί. Βεβαιωθείτε ότι το ανταλλακτικό είναι το ίδιο με το εξάρτημα που παρέχεται από τον κατασκευαστή. Ένα ακατάλληλο μπουζί μπορεί να προκαλέσει ζημιά στο προϊόν.

1. Εάν το προϊόν δεν εκκινείται εύκολα ή δεν λειτουργεί, εξετάστε το μπουζί για ανεπιθύμητα υλικά. Για να μειώσετε τον κίνδυνο ανεπιθύμητου υλικού στα ηλεκτρόδια του μπουζί:
  - a) Βεβαιωθείτε ότι οι στροφές ανά λεπτό ρελαντί έχουν ρυθμιστεί σωστά.
  - b) Βεβαιωθείτε ότι το μείγμα καυσίμου είναι σωστό.
  - c) Βεβαιωθείτε ότι το φίλτρο αέρα είναι καθαρό.
2. Καθαρίστε το μπουζί, εάν είναι βρώμικο. Βεβαιωθείτε ότι το διάκενο ηλεκτροδίου είναι σωστό. (Εικ. 71 )
3. Αντικαταστήστε το μπουζί όταν είναι απαραίτητο.

## Καθαρίστε το φίλτρο αέρα

1. Αφαιρέστε το κάλυμμα του φίλτρου αέρα και το φίλτρο αέρα.
2. Καθαρίστε το φίλτρο αέρα με ζεστό σαπουνόνερο. Βεβαιωθείτε ότι το φίλτρο αέρα είναι στεγνό πριν να το εγκαταστήσετε.
3. Αντικαταστήστε το φίλτρο αέρα εάν είναι πολύ βρόμικο για να καθαριστεί πλήρως. Πρέπει πάντα να αντικαθιστάτε το φίλτρο αέρα, εάν έχει υποστεί ζημιά.

## Ακόνισμα αλυσίδας πριονιού

### Το κοπτικό εργαλείο

Το τμήμα της αλυσίδας του πριονιού που εκτελεί την κοπή ονομάζεται κοπτικό εργαλείο και αποτελείται από ένα δόντι κοπής (A) και το μετρητή βάθους (B). Το βάθος κοπής του κοπτικού εργαλείου καθορίζεται από τη διαφορά ύψους μεταξύ των δύο (ρύθμιση μετρητή βάθους) (C).

(Εικ. 72)

Όταν ακονίζετε ένα δόντι κοπής, υπάρχουν τέσσερις σημαντικοί παράγοντες που πρέπει να θυμάστε:

- Γωνία ακονίσματος.

(Εικ. 73)

- Γωνία κοπής.

(Εικ. 74)

- Θέση λίμας.

(Εικ. 75)

- Διάμετρος στρογγυλής λίμας.

(Εικ. 76)

### Ακόνισμα κοπτικών δοντιών

Χρησιμοποιήστε μια στρογγυλή λίμα και έναν οδηγό ακονίσματος για να ακονίσετε τα δόντια κοπής. Βλ. *Ακόνισμα αλυσίδας πριονιού και συνδυασμοί αλυσίδας πριονιού στη σελίδα 112* για πληροφορίες σχετικά με την συνιστώμενη διάσταση της λίμας και του οδηγού για την αλυσίδα πριονιού που έχει εγκατασταθεί στο προϊόν σας.

1. Βεβαιωθείτε ότι η αλυσίδα πριονιού έχει τη σωστή τάνυση. Μια χαλαρή αλυσίδα θα μετακινηθεί πλαγίως και θα δυσχεράνει το σωστό ακόνισμα.
2. Λιμάρετε όλα τα δόντια στη μια πλευρά πρώτα. Λιμάρετε τα κοπτικά δόντια από την εσωτερική επιφάνεια και μειώστε την πίεση στη διαδρομική επαναφοράς.
3. Αναποδογυρίστε το προϊόν και λιμάρετε τα δόντια στην άλλη πλευρά.
4. Λιμάρετε όλα τα δόντια στο ίδιο μήκος. Όταν το μήκος των κοπτικών δοντιών μειωθεί σε 4 mm (5/32"), η αλυσίδα πριονιού έχει φθαρεί και θα πρέπει να αντικατασταθεί. (Εικ. 77)

## Προσαρμογή της ρύθμισης μετρητή βάθους

Ακονίστε τα κοπτικά δόντια πριν από την προσαρμογή της ρύθμισης μετρητή βάθους. Ανατρέξτε στην ενότητα *Ακόνισμα κοπτικών δοντιών στη σελίδα 109*. Όταν ακονίζετε το κοπτικό δόντι (A), η ρύθμιση του μετρητή βάθους (C) μειώνεται. Για να διατηρείται η βέλτιστη απόδοση κοπής, ο μετρητής βάθους (B) πρέπει να ακονίζεται, ώστε να επιτυγχάνεται η συνιστώμενη ρύθμιση μετρητή βάθους. Βλ. *Ακόνισμα αλυσίδας πριονιού και συνδυασμοί αλυσίδας πριονιού στη σελίδα 112* για να βρείτε τη σωστή ρύθμιση μετρητή βάθους για την αλυσίδα σας.

(Εικ. 78)

(Εικ. 79)

**Περιεχόμενα** Αυτή η σύσταση θεωρεί δεδομένο ότι το μήκος των κοπτικών δοντιών δεν μειώνεται υπερβολικά.

Χρησιμοποιήστε μια επίπεδη λίμα και ένα όργανο μέτρησης βάθους για τη ρύθμιση του μετρητή βάθους.

1. Τοποθετήστε το όργανο μέτρησης βάθους πάνω από την αλυσίδα του πριονιού. Μπορείτε να βρείτε λεπτομερείς πληροφορίες σχετικά με τον τρόπο χρήσης του οργάνου μέτρησης βάθους στη συσκευασία του οργάνου μέτρησης βάθους.
2. Χρησιμοποιήστε την επίπεδη λίμα για να λιμάρετε τη μύτη (άκρη) του μετρητή βάθους που προεξέχει από το όργανο μέτρησης βάθους. Η ρύθμιση του μετρητή βάθους είναι σωστή όταν δεν νιώθετε πλέον αντίσταση καθώς περνάτε τη λίμα κατά μήκος του οργάνου μέτρησης βάθους.

## Τέντωμα της αλυσίδας πριονιού

**Περιεχόμενα** Να ελέγχετε συχνά την τάνυση μιας νέας αλυσίδας πριονιού κατά τη διάρκεια της περιόδου στρωσίματος.

1. Χαλαρώστε τα παξιμάδια της λάμας που συγκρατούν το κάλυμμα του οδοντωτού τροχού. Χρησιμοποιήστε το συνδυαστικό κλειδί. (Εικ. 80)
2. Σφίξτε τα παξιμάδια της λάμας με το χέρι, όσο πιο καλά μπορείτε.
3. Σηκώστε το πάνω μέρος της λάμας και επεκτείνετε την αλυσίδα του πριονιού σφίγγοντας τη βίδα τεντώματος αλυσίδας. Χρησιμοποιήστε το συνδυαστικό κλειδί. Σφίξτε την αλυσίδα του πριονιού μέχρι να μην κρέμεται κάτω από την κάτω πλευρά της λάμας. (Εικ. 81)
4. Σφίξτε τα παξιμάδια της λάμας χρησιμοποιώντας το συνδυαστικό κλειδί και σηκώστε ταυτόχρονα το πάνω μέρος της λάμας. (Εικ. 82)
5. Βεβαιωθείτε ότι μπορείτε να γυρίσετε γύρω-γύρω την αλυσίδα του πριονιού ελεύθερα με το χέρι και ότι δεν κρέμεται. (Εικ. 83)

## Λίπανση του εξοπλισμού κοπής

### Έλεγχος της λίπανσης της αλυσίδας του πριονιού

Ελέγξτε τη λίπανση της αλυσίδας του πριονιού κάθε φορά που βάζετε καύσιμο.

1. Εκκινήστε το προϊόν και αφήστε το να λειτουργήσει στα 3/4 της ταχύτητας. Στρέψτε το άκρο της λάμας σε μια ανοιχτόχρωμη επιφάνεια σχεδόν 20 cm (8 in) μακριά.
2. Μετά από 1 λεπτό σε λειτουργία, μια γραμμή λαδιού εμφανίζεται στην ανοιχτόχρωμη επιφάνεια.
3. Εάν δεν μπορείτε να δείτε τη γραμμή του λαδιού μετά από 1 λεπτό, καθαρίστε το κανάλι λαδιού στη λάμα.

Καθαρίστε την εγκοπή στο άκρο της λάμας. Βεβαιωθείτε ότι το γρανάζι της μύτης της λάμας περιστρέφεται ελεύθερα και ότι δεν υπάρχουν εμπλοκές στην οπή λίπανσης. Καθαρίστε και λιπάνετε το γρανάζι της άκρης της λάμας.

4. Εκκινήστε το προϊόν και αφήστε το να λειτουργήσει στα 3/4 της ταχύτητας. Στρέψτε το άκρο της λάμας σε μια ανοιχτόχρωμη επιφάνεια σχεδόν 20 cm (8 in) μακριά.
5. Μετά από 1 λεπτό σε λειτουργία, μια γραμμή λαδιού εμφανίζεται στην ανοιχτόχρωμη επιφάνεια.
6. Εάν δεν μπορείτε να δείτε τη γραμμή λαδιού μετά από 1 λεπτό, απευθυνθείτε σε εγκεκριμένο αντιπρόσωπο.

## ΜΕΤΑΦΟΡΑ

- Αδειάστε το καύσιμο και το ντεπόζιτο λαδιού αλυσίδας πριν τη μεταφορά. Απορρίψτε σωστά τα χρησιμοποιημένα υγρά.
- Τοποθετήστε το κάλυμμα της λάμας στο παρελκόμενο κοπής κατά τη μεταφορά. Αυτό αποτρέπει την κατά λάθος επαφή ατόμων με την κοφτερή αλυσίδα του πριονιού. Ακόμα και εκτός λειτουργίας, η αλυσίδα του πριονιού μπορεί να

προκαλέσει τραυματισμό σε εσάς ή σε άλλα άτομα που θα αγγίξουν μια αιχμηρή αλυσίδα πριονιού.

- Αφαιρέστε το καπάκι του μπουζι από το μπουζι και συμπλέξτε το φρένο αλυσίδας πριν από τη μεταφορά.
- Βεβαιωθείτε ότι το προϊόν δεν μπορεί να μετακινηθεί κατά τη μεταφορά.

## ΦΥΛΑΞΗ

- Να τοποθετείτε πάντα το προϊόν μακριά και με ασφάλεια όταν δεν είναι σε λειτουργία. Οι διαρροές και οι αναθυμιάσεις από το προϊόν μπορεί να έρθουν σε επαφή με σπινθήρες, ακάλυπτες φλόγες του ηλεκτρικού εξοπλισμού, ηλεκτρικά χλοοκοπτικά, ρελέ/διακόπτες, λέβητες και περισσότερα.
- Να αποθηκεύετε πάντα τα καύσιμα σε ένα εγκεκριμένο δοχείο καυσίμου.
- Αδειάστε τα καύσιμα και το ντεπόζιτο λαδιού αλυσίδας όταν αποθηκεύετε το προϊόν για μεγάλο χρονικό διάστημα. Απορρίψτε σωστά τα χρησιμοποιημένα υγρά.

- Κατά τη διάρκεια της αποθήκευσης, τοποθετήστε το κάλυμμα της λάμα στη λάμα. Αυτό αποτρέπει την κατά λάθος επαφή με την κοφτερή αλυσίδα του πριονιού. Ακόμα και εκτός λειτουργίας, η αλυσίδα του πριονιού μπορεί να προκαλέσει σοβαρό τραυματισμό σε εσάς ή σε άτομα που θα αγγίξουν μια αιχμηρή αλυσίδα πριονιού.
- Αφαιρέστε το καπάκι του μπουζι από το μπουζι και συμπλέξτε το φρένο αλυσίδας πριν από την αποθήκευση.

## ΤΕΧΝΙΚΑ ΣΤΟΙΧΕΙΑ

	μονάδα	120 Mark II (P02138HV)
<b>Προδιαγραφές κινητήρα</b>		
Κυβισμός κυλίνδρου	cm <sup>3</sup>	38
Μπουζι		Champion RCJ7Y
Διάκενο ηλεκτροδίου	mm (ίντσες)	0,5 (0,02)
Όγκος ντεπόζιτου καυσίμου	cm <sup>3</sup>	300
Στροφές ανά λεπτό ρελαντί	min <sup>-1</sup>	2800-3200

	μονάδα	120 Mark II (P02138HV)
Ισχύς εξόδου στα 9000 min <sup>-1</sup>	kW	1,4
Περίοδος διατήρησης εκπομπών	h	50
<b>Δεδομένα θορύβου και κραδασμών</b>		
Αντίστοιχα επίπεδα κραδασμών, μπροστινή χειρολαβή a <sub>hveq</sub> <sup>31</sup>	m/s <sup>2</sup>	4,5
Αντίστοιχα επίπεδα κραδασμών, πίσω χειρολαβή a <sub>hveq</sub> <sup>32</sup>	m/s <sup>2</sup>	6,0
Στάθμη ηχητικής ισχύος, εγγυημένη (L <sub>WA</sub> ) <sup>33</sup>	dB(A)	116
Επίπεδο ηχητικής ισχύος, μετρούμενο <sup>34</sup>	dB(A)	110
Στάθμη πίεσης ήχου στο αυτί του χειριστή <sup>35</sup>	dB(A)	95
<b>Διαστάσεις προϊόντος</b>		
Βάρος (χωρίς εξοπλισμό κοπής)	kg	4,9
Όγκος ντεπόζιτου λαδιού	cm <sup>3</sup>	200
<b>Σύστημα καυσίμου και λίπανσης</b>		
Χωρητικότητα αντλίας λαδιού στα 9000 min <sup>-1</sup>	ml/min	7
Όγκος ντεπόζιτου λαδιού	cm <sup>3</sup>	200
Τύπος αντλίας λαδιού		Αυτόματο
<b>Αλυσίδα πριονιού και λάμα</b>		
Τυπικό μήκος λάμας	cm (ίντσες)	35-40 (14-16)
Συνιστώμενα μήκη λάμας	cm (ίντσες)	35-45 (14-18)
Χρήσιμο μήκος κοπής	cm (ίντσες)	34-39 (13,5 -15,5)
Μέγιστη ταχύτητα αλυσίδας πριονιού	m/s	22,3
Βήμα αλυσίδας πριονιού	mm (ίντσες)	8,3 (0.325)
		9,52 (3/8)
Πάχος των συνδέσμων συστήματος μετάδοσης κίνησης (μετρητής)	mm (ίντσες)	1,3 (0,05)
Τύπος του οδοντωτού τροχού μετάδοσης κίνησης		Κυλινδρικό γρανάζι

<sup>31</sup> Η ισοδύναμη στάθμη δονήσεων, σύμφωνα με το ISO 22867, υπολογίζεται ως το χρονικά σταθμισμένο σύνολο ενέργειας για τις στάθμες δονήσεων υπό διάφορες συνθήκες εργασίας. Τα καταγεγραμμένα στοιχεία για την ισοδύναμη στάθμη δονήσεων έχουν τυπική στατιστική διασπορά (τυπική απόκλιση) ίση με 1 m/s<sup>2</sup>.

<sup>32</sup> Η ισοδύναμη στάθμη δονήσεων, σύμφωνα με το ISO 22867, υπολογίζεται ως το χρονικά σταθμισμένο σύνολο ενέργειας για τις στάθμες δονήσεων υπό διάφορες συνθήκες εργασίας. Τα καταγεγραμμένα στοιχεία για την ισοδύναμη στάθμη δονήσεων έχουν τυπική στατιστική διασπορά (τυπική απόκλιση) ίση με 1 m/s<sup>2</sup>.

<sup>33</sup> Οι εκπομπές θορύβου στο περιβάλλον, οι οποίες μετρούνται ως ισχύς θορύβου (L<sub>WA</sub>).

<sup>34</sup> Οι εκπομπές θορύβου στο περιβάλλον, οι οποίες μετρούνται ως ισχύς θορύβου (L<sub>WA</sub>).

<sup>35</sup> Το αντίστοιχο επίπεδο ηχητικής πίεσης υπολογίζεται ως το χρονικά σταθμισμένο σύνολο ενέργειας για τα διαφορετικά επίπεδα ηχητικής πίεσης υπό διάφορες συνθήκες εργασίας. Η τυπική στατιστική διασπορά για το αντίστοιχο επίπεδο ηχητικής πίεσης είναι μία τυπική απόκλιση της τάξης του 1 dB (A).

	μονάδα	120 Mark II (P02138HV)
Αριθμός δοντιών οδοντωτού τροχού μετάδοσης κίνησης		6 (τροχού μετάδοσης κίνησης 3/8)  7 (τροχού μετάδοσης κίνησης 0,325)

## ΑΞΕΣΟΥΡΑ

### Συνδυασμοί λάμας οδήγησης και αλυσίδας πριονιού

Για το προϊόν έχουν εγκριθεί τα παρακάτω παρελκόμενα κοπής.

Λάμα οδήγησης				Αλυσίδα πριονιού	
Μήκος, cm (ίντσες)	Βήμα, mm (ίντσες)	Απόσταση, mm (ίντσες)	Μέγ. ακτίνα μύτης	Τύπος	Μέτρηση συνδέσμου συστήματος μετάδοσης κίνησης
33 (13)	8,25 (0.325)	1,3 (0.050)	10T	Husqvarna H30	56
38 (15)	8,25 (0.325)				64
35 (14)	9,52 (3/8)		7T	Husqvarna H37	52
40 (16)	9,52 (3/8)				56
45 (18)	9,52 (3/8)				62

### Ακόνισμα αλυσίδας πριονιού και συνδυασμοί αλυσίδας πριονιού

Αλυσίδα πριονιού					
Τύπος αλυσίδας	Μέγεθος στρογγυλής λάμας	Γωνία πλευρικού τμήματος	Κορυφή πλευρικού τμήματος	Γωνία λάμας	Ρύθμιση οδηγού βάθους κοπής
H30	3/16 ίν. / 4,8 mm	60°	30°	10°	0,025 ίν. / 0,65 mm
H37	5/32 ίν. / 4,0 mm	60°	30°	0°	0,025 ίν. / 0,65 mm

## ΠΕΡΙΕΧΟΜΕΝΑ ΤΗΣ ΔΗΛΩΣΗΣ ΣΥΜΜΟΡΦΩΣΗΣ ΕΚ

Εμείς, η Husqvarna AB, SE 561 82 Huskvarna, Σουηδία, δηλώνουμε με αποκλειστική μας ευθύνη ότι το απεικονιζόμενο προϊόν:



Περιγραφή	Αλυσοπρίονο βενζίνης
Μάρκα	Husqvarna
Πλατφόρμα / Τύπος / Μοντέλο	Πλατφόρμα P02138HV, για το μοντέλο 120 Mark II
Παρτίδα	Αριθμός σειράς 2018 και εφεξής

συμμορφώνεται πλήρως με τις ακόλουθες οδηγίες και τους κανονισμούς της ΕΕ:

Οδηγία/Κανονισμός	Περιγραφή
2006/42/ΕΚ	"σχετικά με τα μηχανήματα"
2014/30 /ΕΕ	"σχετικά με την ηλεκτρομαγνητική συμβατότητα"
2000/14/ΕΚ	"σχετικά με το θόρυβο σε εξωτερικούς χώρους"

Εφαρμοζόμενα εναρμονισμένα πρότυπα ή/και τεχνικές προδιαγραφές: EN ISO 12100, EN ISO 11681-1, CISPR 12, ISO 14982

Σύμφωνα με την οδηγία 2000/14/ΕΚ, Παράρτημα V, οι δηλωθείσες τιμές για τον ήχο αναφέρονται στο κεφάλαιο Τεχνικά στοιχεία αυτού του εγχειριδίου και στην υπογεγραμμένη Δήλωση συμμόρφωσης ΕΚ.

Η TÜV Rheinland LGA προϊόντα GmbH, κοινοποιημένος φορέας για τα μηχανήματα (κοινοποίηση 0197), Tillystraße 2 - 90431 Nürnberg, Γερμανία, πραγματοποιεί μια εξέταση τύπου ΕΚ σύμφωνα με 2006/42/ΕΚ, άρθρο 12, παράγραφος 3b.

Το πιστοποιητικό εξέτασης τύπου, σύμφωνα με το Παράρτημα ΙΧ, το οποίο προβλέπεται από την υπογεγραμμένη Δήλωση Συμμόρφωσης, ισχύει για όλες τις μονάδες παραγωγής και χώρες προέλευσης που αναφέρονται πάνω στο προϊόν.

Αυτό το αλυσοπρίονο συμμορφώνεται με το δείγμα που υποβλήθηκε σε εξέταση τύπου ΕΚ.

---

## Contenido

---

INTRODUCCIÓN.....	114	TRANSPORTE.....	125
SEGURIDAD.....	115	ALMACENAMIENTO.....	125
MONTAJE.....	119	DATOS TÉCNICOS.....	125
FUNCIONAMIENTO.....	120	ACCESORIOS.....	127
MANTENIMIENTO.....	122	CONTENIDO DE LA DECLARACIÓN DE CONFORMIDAD CE.....	127

---

## INTRODUCCIÓN

---

### Manual de usuario

El idioma original de este manual de instrucciones es el inglés. Los manuales de usuario en otros idiomas son traducciones del inglés.

### Revisar

(Fig. 1 )

1. Placa de identificación
2. Bloqueo del gatillo
3. Mango delantero
4. Cubierta del cilindro
5. Freno de cadena con protección contra reculadas
6. Silenciador
7. Apoyo de corteza
8. Piñón de la punta de la espada
9. Protección de la mano derecha
10. Gatillo
11. Cubierta del piñón
12. Captor de cadena
13. Espada
14. Cadena de sierra
15. Empuñadura de arranque
16. Depósito de aceite de cadena
17. Mecanismo de arranque
18. Depósito de combustible
19. Control del estrangulador
20. Mango trasero
21. Botón de parada
22. Tornillo de ajuste del ralenti
23. Bomba de combustible
24. Etiqueta adhesiva de información y advertencia
25. Tornillo para regular la bomba de aceite
26. Funda de la espada
27. Herramienta combinada
28. Aceite para motores de dos tiempos
29. Manual de usuario (EPA)

### Símbolos que aparecen en el producto

- (Fig. 2 ) Advertencia
- (Fig. 3 ) Lea este manual
- Utilice protección para la cabeza, protectores auriculares y protección auricular homologados
- (Fig. 4 )
- (Fig. 5 ) Utilice guantes protectores homologados
- El producto cumple con las directivas CE vigentes
- (Fig. 6 )
- (Fig. 7 ) Nivel de potencia acústica
- Freno de cadena, no activado (izquierda).  
Freno de cadena, activado (derecha)
- (Fig. 8 )
- (Fig. 9 ) Control del estrangulador
- (Fig. 10 ) Bomba de combustible
- (Fig. 11 ) Carga de combustible
- (Fig. 12 ) Rellenado de aceite para cadena
- El producto cumple con las directivas EAC vigentes
- (Fig. 13 )
- El producto cumple con las directivas ucranianas vigentes
- (Fig. 14 )
- (Fig. 15 ) Nivel de ruido
- Sujete el producto adecuadamente con las dos manos
- (Fig. 16 )
- (Fig. 17 ) No lo utilice con una sola mano
- (Fig. 18 ) Evite el contacto con la punta de la espada

(Fig. 19) Cuidado con los rebotes

El producto cumple con las directivas de compatibilidad electromagnética de

(Fig. 20) Australia y Nueva Zelanda vigentes.

**Nota:** Los demás símbolos/etiquetas que aparecen en el producto corresponden a requisitos de homologación específicos en otras zonas comerciales.

- El producto se ha reparado incorrectamente.
- El producto se ha reparado con piezas que no eran del fabricante o no autorizadas por el fabricante.
- El producto tiene un accesorio que no es del fabricante o no está autorizado por este.
- El producto no se ha reparado en un centro de servicio autorizado o por un organismo homologado.

## Responsabilidad sobre el producto

Como se estipula en las leyes de responsabilidad del producto, no nos hacemos responsables de los daños y perjuicios causados por nuestro producto si:

---

# SEGURIDAD

---

## Definiciones de seguridad

Las definiciones siguientes indican el nivel de gravedad para cada palabra de señalización de riesgo.



**ADVERTENCIA:** Lesiones a personas.



**PRECAUCIÓN:** Daños en el producto.

**Nota:** Esta información hace que el producto sea más fácil de usar.

## Instrucciones generales de seguridad

- Use el producto correctamente. Las lesiones o la muerte son un posible resultado de un uso incorrecto. Utilice el producto solo para las tareas indicadas en este manual. No utilice el producto para otras tareas.
  - Asegúrese de leer, comprender y respetar las instrucciones de este manual. Respete los símbolos de seguridad y las instrucciones de seguridad. Si el operador no respeta las instrucciones y los símbolos, pueden producirse lesiones, daños materiales o la muerte.
  - No se deshaga de este manual. Utilice las instrucciones para montar su producto, utilizarlo y mantenerlo en buen estado. Utilice las instrucciones para la correcta instalación de los complementos y accesorios. Utilice únicamente complementos y accesorios autorizados.
  - No utilice un producto dañado. Respete el programa de mantenimiento. Realice solamente el trabajo de mantenimiento indicado en las instrucciones de este manual. Todos los demás trabajos de mantenimiento debe hacerlos un centro de servicio autorizado.
- Este manual no puede incluir todas las situaciones que pueden producirse cuando utilice el producto. Proceda con cuidado y utilice el sentido común. No utilice el producto ni realice el mantenimiento del producto si no está seguro de cuál es la situación. Hable con un experto en el producto, su distribuidor, un taller de servicio o centro de servicio autorizado para obtener información.
  - Desconecte el cable de la bujía antes de montar el producto, almacenarlo o realizar tareas de mantenimiento.
  - No utilice el producto si se ha modificado respecto de sus especificaciones iniciales. No cambie una parte del producto sin la autorización del fabricante. Utilice únicamente las piezas que están autorizadas por el fabricante. Las lesiones o la muerte son un posible resultado de un mantenimiento incorrecto.
  - No inhale los vapores del motor. La inhalación prolongada de los gases de escape del motor, los vapores de aceite de cadena y el serrín puede poner en riesgo la salud.
  - Nunca arranque el producto en interiores ni cerca de material inflamable. Los gases de escape están calientes y pueden contener una chispa que puede iniciar un incendio. Una circulación de aire insuficiente puede causar lesiones o la muerte por asfixia o inhalación de monóxido de carbono.
  - Este producto genera un campo electromagnético durante el funcionamiento. El campo electromagnético puede provocar daños en implantes médicos. Consulte a su médico y al fabricante del implante médico antes de usar el producto.
  - No deje que un niño maneje el producto.
  - No permita que nadie maneje el producto sin conocer las instrucciones.
  - Si una persona con discapacidad física o mental usa el producto, asegúrese de supervisarla en todo momento. Debe haber presente en todo momento una persona mayor de edad responsable.

- Cierre con llave el producto en un área a la que no pueden acceder las personas no autorizadas ni los niños.
- El producto puede proyectar objetos con fuerza y causar lesiones. Respete las instrucciones de seguridad para reducir el riesgo de lesiones o muerte.
- No deje desatendido el producto con el motor encendido. Pare el motor y asegúrese de que la cadena no gira.
- El operador del producto es el responsable si se produce un accidente.
- Asegúrese de que las piezas no estén dañadas antes de utilizar el producto.
- Consulte las leyes nacionales o locales. Pueden prohibir o limitar el funcionamiento del producto en circunstancias determinadas.

## Instrucciones de seguridad para el funcionamiento

- El uso frecuente o continuo del producto puede provocar el síndrome del "dedo blanco" o problemas médicos similares debido a las vibraciones. Observe el estado de sus manos y dedos si usa el producto de forma frecuente o continua. Si sus manos o dedos presentan decoloración, dolor, hormigueo o entumecimiento, deje de trabajar y acuda a un médico de inmediato.
- Asegúrese de que el producto esté completamente montado antes de utilizarlo.
- El producto puede causar proyección de objetos, lo que puede provocar daños en los ojos. Use siempre una protección ocular homologada cuando utilice el producto.
- Tenga cuidado: mientras está trabajando, un niño puede acercarse al producto sin que usted se dé cuenta.
- No utilice el producto si hay otra persona en la zona de trabajo. Detenga el producto si alguien entra en la zona de trabajo.

(Fig. 21)

- Asegúrese de tener siempre el control del producto.
- El producto debe manejarse con las dos manos. No utilice el producto con una sola mano. Podrían ocasionarse daños graves al operador, los trabajadores, las personas presentes o cualquier otra persona si se usa con una sola mano.
- Sujete el mango delantero con la mano izquierda y el mango trasero con la mano derecha. Mantenga el producto en el lado derecho del cuerpo.

(Fig. 22)

- Nunca utilice el producto si está cansado o enfermo, o si se encuentra bajo los efectos del alcohol o drogas.
- No utilice el producto si no puede recibir ayuda en caso de accidente. Antes de empezar a usar el

producto, asegúrese de que todas las personas presentes lo sepan.

- No se gire con el producto sin asegurarse primero de que no hay personas ni animales en la zona de seguridad.
- Retire todos los materiales no deseados de la zona de trabajo antes de empezar. Si la cadena choca contra un objeto, el objeto puede salir despedido y provocar daños o lesiones. El material no deseado puede enrollarse en la cadena y provocar daños.
- No utilice el producto en condiciones climáticas desfavorables (como niebla, lluvia, viento fuerte, riesgo de rayos u otras condiciones climáticas peligrosas). Las condiciones climáticas desfavorables pueden provocar condiciones peligrosas (como superficies resbaladizas).
- Asegúrese de que puede moverse libremente y trabajar en una postura estable
- Asegúrese de que no corre riesgo de caerse mientras utiliza el producto. No se incline mientras utiliza el producto.
- Sujete siempre el producto con ambas manos. Sujete el mango delantero con la mano izquierda y el mango trasero con la mano derecha. Mantenga el producto en el lado derecho del cuerpo.
- Si el mando del estrangulador está en la posición de estrangulamiento cuando arranque el motor, la cadena comienza a girar.
- Pare el motor antes de mover el producto.
- No deje el producto en el suelo con el motor encendido.
- Antes de retirar los materiales no deseados del producto, detenga el motor. Deje que la cadena se detenga antes de que usted o un ayudante retire el material cortado.
- No arranque el producto estando en un árbol. Puede sufrir daños personales si utiliza el producto mientras está subido en un árbol.

(Fig. 23)

- El freno de cadena debe estar activado cuando el producto se pone en marcha para reducir el riesgo de que la cadena de sierra entre en contacto con el usuario durante el arranque.

(Fig. 24)

- Evite la reculada, patinaje, rebotes y caídas, ya que pueden provocar daños graves.
- Respete todas las normas de seguridad para evitar que el producto recule o genere otras fuerzas, lo cual podría provocar daños graves.
- Ajuste la tensión de la cadena de sierra con regularidad para asegurarse de que la cadena de sierra no esté floja. Una cadena de sierra poco tensa puede soltarse y causar daños graves, incluso mortales.
- No tale árboles con un procedimiento incorrecto. Puede provocar lesiones a personas, impactar una línea de servicios públicos o causar daños a la propiedad.

- El operador debe mantenerse siempre en el lado superior del terreno, ya que es probable que el árbol ruede o se deslice hacia abajo al talarlo.

(Fig. 25)

- Planifique y prepare una ruta de escape antes de comenzar a realizar los cortes. La vía de escape debe extenderse hacia atrás y en diagonal hasta la parte trasera de la línea de caída esperada.

(Fig. 26)

- Pare siempre el motor antes de mover el producto entre los árboles.
- Asegúrese de que pone firmemente los pies en el suelo y su peso descansa sobre ellos de forma equilibrada.

(Fig. 27)

- Mantenga en todo momento una posición correcta de los pies y manipule el producto únicamente cuando se encuentre en una superficie nivelada, sólida y segura. Las superficies resbaladizas o inestables, tales como las escaleras, pueden causar una pérdida de equilibrio o control.

(Fig. 28)

## Reculadas, patinaje, rebotes y caídas

Distintas fuerzas pueden tener un efecto sobre la seguridad del control del producto.

- El **patinaje** se produce cuando la espada se desliza o se mueve rápidamente por la madera.
- Un **rebote** se produce cuando la espada se levanta de la madera y la toca una y otra vez.
- Una **caída** se produce cuando el producto cae tras realizar el corte. Esto puede provocar que la cadena en movimiento entre en contacto con una parte del cuerpo u otros objetos, lo que podría provocar lesiones o daños.
- La **reculada** es cuando el extremo de la espada toca objetos y se mueve hacia atrás, hacia arriba o hacia adelante de manera repentina. La reculada también se produce cuando la madera se cierra haciendo que la cadena de sierra quede atascada durante el corte. Se puede perder el control del producto si este toca un objeto extraño en la madera.

(Fig. 29)

- La **reculada por rotación** se produce cuando la cadena en movimiento del extremo superior de la espada entra en contacto con un objeto. Esto puede hacer que la cadena se hincque en el objeto y se detenga inmediatamente, lo que provoca una rápida contrarreacción que impulsa la espada hacia arriba y hacia atrás en dirección al usuario.

(Fig. 30)

(Fig. 31)

- Una **reculada** puede producirse cuando la cadena de sierra se detiene repentinamente durante el corte. La madera encierra y atrapa la

cadena de sierra en movimiento de la parte superior de la espada. La cadena de sierra se detiene de forma repentina y hace que el producto se mueva en la dirección opuesta a la del giro de la cadena. El producto se mueve hacia atrás en la dirección del operador.

(Fig. 32)

- La **retención** tiene lugar cuando la cadena de sierra se detiene repentinamente si la cadena móvil entra en contacto con un objeto extraño en la madera a lo largo de la parte inferior de la espada. La parada repentina impulsa el producto hacia delante y en dirección contraria al usuario, que podría perder el control del producto.

(Fig. 33)

Debe entender las diferentes fuerzas y cómo evitarlas antes de usar el producto.

## Para evitar las reculadas, el patinaje, los rebotes y las caídas

- Cuando el motor está en funcionamiento, asegúrese de sujetar bien el producto. Agarre el mango trasero con la mano derecha y el mango delantero con la mano izquierda. Sujete firmemente los mangos con los pulgares y dedos. No los suelte.
- Mantenga el control del producto mientras se corta y después de que la madera caiga al suelo. No deje que el peso del producto caiga tras realizar el corte. (Fig. 34)
- Asegúrese de que el área en el que se realiza el corte no contiene obstrucciones. No deje que la punta de la espada entre en contacto con un tronco, una rama o cualquier otra obstrucción mientras está utilizando el producto.
- Realice el corte a altas velocidades del motor.
- No intente acceder a lugares demasiado altos y no corte a una altura superior a la de sus hombros. (Fig. 35)
- Siga las instrucciones de afilado y mantenimiento de la cadena de sierra facilitadas por el fabricante.
- Utilice únicamente las espadas y cadenas de sierra indicadas por el fabricante.
- Una profundidad de corte excesiva aumenta el riesgo de reculada.

## Equipo de protección personal

- Utilice siempre el equipo de protección personal adecuado cuando utilice el producto. El equipo de protección personal no elimina el riesgo de lesiones. El equipo de protección personal reduce la gravedad de las lesiones en caso de accidente.
- Utilice prendas ajustadas que no limiten su movilidad.
- Utilice un casco protector homologado.
- Utilice siempre protección auditiva homologada mientras utiliza el producto. La exposición al ruido durante un periodo de tiempo prolongado puede causar pérdida de audición.

- Utilice gafas protectoras o visera para reducir el riesgo de daños causados por objetos lanzados. El producto puede lanzar con gran fuerza objetos como virutas, trozos de madera pequeños, etc. Ello comporta riesgo de daños personales graves, especialmente en los ojos.
- Utilice guantes con protección de la motosierra.
- Utilice pantalones con protección para motosierra.
- Utilice botas con protección para motosierra, puntera de acero y suela antideslizante.
- Asegúrese de que tiene cerca un botiquín de primeros auxilios.
- Pueden producirse chispas en el silenciador, la espada y la cadena de sierra u otras fuentes. Tenga siempre a mano herramientas para extinguir incendios y una pala para evitar incendios forestales.
- Asegúrese de que se permite utilizar la protección junto con el producto.
- No utilice el producto sin protección.
- Asegúrese de que la protección no está dañada. Sustituya la protección si está desgastada o dañada.

## Seguridad en el uso del combustible

- No arranque el producto si está manchado con combustible o aceite del motor. Retire el combustible/aceite no deseado y deje secar el producto. Retire el combustible no deseado del producto.
- Si derrama combustible sobre la ropa, cámbiese inmediatamente.
- Evite el contacto con el combustible; puede provocarle lesiones. Si entra en contacto con el combustible, utilice jabón y agua para eliminar el combustible.
- No arranque el motor si derrama aceite o combustible sobre el producto o sobre su cuerpo.
- No arranque el motor si el producto tiene una fuga. Examine frecuentemente si hay fugas en el motor.
- Tenga cuidado con el combustible. El combustible es inflamable, sus vapores son explosivos y puede provocar lesiones o la muerte.
- No inhale los vapores de combustible, ya que pueden causar lesiones. Asegúrese de que hay ventilación suficiente.
- No fume cerca del combustible o el motor.
- No coloque objetos calientes cerca del combustible o el motor.
- No agregue el combustible con el motor encendido.
- Asegúrese de que el motor esté frío antes repostar.
- Antes de repostar, abra la tapa del depósito de combustible lentamente y deje salir el exceso de presión con cuidado.
- No añada combustible al motor en interiores. Una circulación de aire insuficiente puede causar lesiones o la muerte por asfixia o inhalación de monóxido de carbono.
- Apriete la tapa del depósito de combustible con cuidado o puede producirse un incendio.
- Antes de arrancarlo, lleve el producto a 3 m (10 pies) de distancia como mínimo del punto en el que llenó el depósito.
- No ponga demasiado combustible en el depósito de combustible.
- Asegúrese de que no pueda producirse una fuga al mover el producto o recipiente de combustible.
- No coloque el producto o un recipiente de combustible cerca de una llama descubierta, chispa o llama piloto. Asegúrese de que la zona de almacenamiento no contiene una llama descubierta.
- Utilice únicamente recipientes homologados para transportar o almacenar el combustible.
- Vacíe el depósito de combustible antes de almacenarlo por un tiempo prolongado. Respete la

## Dispositivos de seguridad en el producto

- Asegúrese de efectuar regularmente el mantenimiento del producto.
    - La vida útil del producto aumenta.
    - El riesgo de accidentes disminuye.
- Deje que un concesionario autorizado o un centro de servicio autorizado examine regularmente el producto para realizar ajustes o reparaciones.
- No utilice un producto con equipo de protección dañado. Si el producto está dañado, hable con un centro de servicio autorizado.

### Botón de parada

Arranque el motor. Asegúrese de que el motor se detiene al poner el botón de parada en la posición de parada.

### Para examinar el bloqueo del acelerador

1. Asegúrese de que el gatillo (B) esté bloqueado en ralentí cuando suelte el bloqueo del gatillo (A). (Fig. 36 )
2. Presione el bloqueo del gatillo (A) y asegúrese de que vuelve a su posición inicial al soltarlo.
3. Empuje el gatillo (B) y asegúrese de que vuelve a su posición inicial al soltarlo.
4. Arranque el motor y, a continuación, aplique la máxima velocidad.
5. Suelte el gatillo y examine si la cadena de sierra se detiene.
6. Si la cadena de sierra gira con un motor a ralentí, examine el tornillo de ajuste de ralentí del carburador.

### Protección

La protección impide que salgan despedidos objetos hacia el usuario. La protección también evita el contacto accidental entre el usuario y la cadena de sierra.

legislación local sobre lugares aptos para desechar combustible.

- Limpie el producto antes de almacenarlo por un tiempo prolongado.
- Desconecte el cable de la bujía antes de almacenar el producto para asegurarse de que el motor no arranque accidentalmente.

## Instrucciones de seguridad para el mantenimiento

- Desconecte la bujía antes de realizar tareas de mantenimiento en el producto, excepto cuando ajuste el carburador.
- Todas las tareas de mantenimiento del producto las debe realizar un concesionario autorizado, salvo las tareas de *MANTENIMIENTO en la página 122*.
- Asegúrese de que la cadena de sierra se detiene cuando se suelta el acelerador.
- Mantenga los mangos secos, limpios y sin aceite ni mezcla de combustible.
- Mantenga los tapones y fiadores bien apretados.
- Los componentes de recambio no homologados o la eliminación de los dispositivos de seguridad pueden causar daños en el producto. Esto puede provocar lesiones al usuario y a otras personas. Utilice únicamente accesorios y piezas de repuesto

originales, tal como se recomienda. No cambie el producto.

- Mantenga la cadena de sierra afilada y limpia para un uso seguro y de alto rendimiento.
- Respete las instrucciones correspondientes para la lubricación y el cambio de accesorios.
- Examine el producto por si hubiera piezas dañadas. Antes de usar más el producto, asegúrese de que la protección o pieza dañada funciona correctamente. Examine si hay piezas rotas o incorrectamente alineadas y piezas que no se mueven libremente. Examine otras condiciones que pueden afectar al funcionamiento del producto. Asegúrese de que la cadena está correctamente tensada. Una protección o pieza dañada debe repararse o sustituirse por un concesionario autorizado, a menos que se escriba lo contrario en el manual de instrucciones.
- Cuando no esté en funcionamiento, mantenga el producto en un lugar seco, alto o en una zona bloqueada alejada de niños.
- Durante el transporte o almacenamiento del producto, utilice una cubierta de espada o una caja para mover el producto.
- No utilice aceite residual. El aceite residual puede ser peligroso para usted y puede causar daños en el producto y el medio ambiente.

---

## MONTAJE

---



**ADVERTENCIA:** Asegúrese de leer y comprender el capítulo sobre seguridad antes de montar el producto.

### Para montar la espada y la cadena

1. Mueva la protección contra reculadas en la dirección del mango delantero para quitar el freno de cadena.
2. Coloque el mando en la posición abierta. (Fig. 37 )
3. Gire el mando hacia la izquierda para soltar la cubierta de la espada.(Fig. 38 )
4. Quite el mando (A) y la cubierta del piñón. Retire la protección de transporte si está instalada. (Fig. 39 )
5. Ponga la espada sobre los tornillos de espada. Dirija la espada a su posición más posterior. Coloque la cadena sobre el piñón de arrastre y acóplela en la ranura de la espada. Empiece con la parte superior de la espada. (Fig. 40 )
6. Asegúrese de que los bordes de los eslabones de corte están orientados hacia delante en la parte superior de la espada.
7. Monte la cubierta del piñón y ponga el vástago de tensado de cadena en el orificio de la espada. Asegúrese de que los eslabones de arrastre de la cadena encajan correctamente en el piñón de arrastre. Asimismo, asegúrese de que la cadena de

sierra está correctamente acoplada en la ranura de la espada. (Fig. 41 )

8. Tense la cadena de sierra girando la rueda hacia abajo (+). Tense la cadena de sierra hasta que deje de colgar por la parte inferior de la espada. (Fig. 42 )
9. La cadena de sierra está bien tensada si no cuelga en la parte inferior de la espada pero el usuario puede girarla fácilmente con la mano.
10. Sujete la punta de la espada y gire el mando hacia la derecha para tensar. (Fig. 43 )
  - Examine la tensión de la cadena con frecuencia tras montar una nueva cadena de sierra y hasta que se haya hecho el rodaje de la cadena de sierra.
  - Examine la tensión de la cadena regularmente. La tensión correcta se traduce en un buen rendimiento de corte y una larga vida útil.

### Para restablecer el freno de cadena

Si la cubierta del embrague se quita accidentalmente mientras el freno de la cadena está bloqueado, es preciso desbloquear el freno de cadena para que la cubierta del embrague se pueda montar sin atascarse en el tambor de embrague.



**PRECAUCIÓN:** El muelle del freno de cadena está bajo tensión. Tenga cuidado al restablecer el freno de la cadena.

**Nota:** No sujete la cinta de freno mientras intenta restablecerla.

1. Alinee las muescas en la herramienta de la espada de forma que encajen sobre el eslabón giratorio del freno.(Fig. 44 )

2. Para restablecer el freno, gire el eslabón hacia la derecha hasta el tope. El eslabón delantero estará en su posición girada hacia abajo cuando el freno de cadena esté desbloqueado.(Fig. 45 )(Fig. 46 )

## FUNCIONAMIENTO



**ADVERTENCIA:** Asegúrese de leer y comprender el capítulo sobre seguridad antes de utilizar el producto.

### Para usar combustible



**PRECAUCIÓN:** Este producto tiene un motor de dos tiempos. Utilice una mezcla de gasolina y aceite de motor de dos tiempos. Asegúrese de que utiliza la cantidad correcta de aceite en la mezcla. Una mezcla de gasolina y aceite en proporción incorrecta puede causar daños en el motor.

### Relación de mezcla de combustible

La relación de mezcla de combustible para la gasolina y aceite del motor de dos tiempos es de 50:1 (2 %).

Gasolina	Aceite de motor de dos tiempos
1 galón estadounidense	77 ml (2,6 oz)
1 galón británico	95 ml (3,2 oz)
5 l	100 ml (3,4 oz)

### Para hacer la mezcla de combustible

1. Determine la cantidad correcta de gasolina y aceite del motor (relación de mezcla de 50:1). No prepare cantidad de mezcla de combustible para más de 30 días. Consulte *Para usar combustible en la página 120*.
2. Agregue la cantidad de gasolina a un recipiente de combustible limpio con válvula antirreboso.



**PRECAUCIÓN:** No utilice gasolina con una concentración de etanol de más del 10 % (E10). Esto puede provocar daños en el producto.



**PRECAUCIÓN:** No utilice gasolina con un octanaje inferior a 90 octanos RON (87 AKI). Esto puede provocar daños en el producto.

**Nota:** Utilice gasolina con un mayor octanaje si utiliza con frecuencia el producto a un régimen del motor alto de manera continua.

3. Añada la cantidad total de aceite del motor de dos tiempos al recipiente de combustible.



**PRECAUCIÓN:** Utilice siempre aceite del motor de dos tiempos refrigerado por aire de alta calidad. Otros aceites pueden provocar daños en el producto.

4. Agite bien la mezcla de combustible para mezclar el contenido.
5. A continuación, añada el resto de la cantidad de gasolina al recipiente de combustible.
6. Agite bien la mezcla de combustible para mezclar el contenido.
7. Llene el depósito de combustible del producto con la mezcla de combustible. Consulte *Para usar combustible en la página 120*.

### Para llenar el depósito de combustible

1. Asegúrese de que la mezcla de combustible es correcta y que se encuentre en un recipiente de combustible con válvula antirreboso.
2. Si hay combustible en el recipiente, retire el combustible no deseado y deje secar el recipiente.
3. Asegúrese de que la zona cercana a la tapa del depósito de combustible está limpia.
4. Extraiga el tapón del depósito de combustible.
5. Sacuda el contenedor de combustible antes de agregar la mezcla de combustible al depósito de combustible.
6. Extraiga el tapón del depósito de combustible.

### Para lubricar la cadena de sierra

El producto cuenta con un sistema de lubricación automática. El depósito de aceite de cadena y el depósito de combustible están dimensionados para que se termine el combustible antes de terminarse el aceite de cadena. Esta función de seguridad requiere el uso del aceite para cadena adecuado y el cumplimiento de las instrucciones.

1. Utilice aceite para cadena de origen vegetal o un aceite para cadena estándar.
2. Asegúrese de que la zona cercana a la tapa del depósito de aceite de cadena esté limpia.



3. Retire la tapa del depósito de aceite para cadena de sierra.
4. Llene el depósito de aceite de la cadena de sierra con el aceite para cadena de sierra recomendado.
5. Vuelva a colocar la tapa del depósito de aceite de cadena ( ).

## Para arrancar y parar

### Antes de arrancar el motor

- Examine el producto para asegurarse de que no faltan piezas, ni están dañadas, sueltas o desgastadas.
- Inspeccione tuercas, tornillos y pernos.
- Examine el filtro de aire.
- Examine el bloqueo del gatillo y el gatillo para comprobar su correcto funcionamiento.
- Examine que el interruptor de parada funciona correctamente.
- Examine el producto por si hubiera fugas de combustible.
- Examine el afilado y la tensión de la cadena de sierra.

### Para arrancar el motor en frío

1. Mueva la protección contra reculadas hacia delante para acoplar el freno de cadena. (Fig. 47 )
2. Oprima la perilla de cebado 6 veces. (Fig. 48 )
3. Ponga el mando del estrangulador en la posición de estrangulamiento total. (Fig. 49 )
4. Sujete el cuerpo del producto contra el suelo con la mano izquierda. Coloque el pie derecho sobre el mango trasero para estabilizar la motosierra. Tire de la empuñadura de la cuerda de arranque lentamente hasta que note algo de resistencia. A continuación, tire de la empuñadura de la cuerda de arranque con fuerza 5 veces. (Fig. 50 )

**Nota:** No tire del gatillo mientras arranca el motor.

5. Ponga el mando del estrangulador en la posición de no estrangulamiento.
6. Tire de la empuñadura de la cuerda de arranque hasta que el motor arranque. Espere 60 segundos tras el arranque antes de tirar del gatillo.



**PRECAUCIÓN:** No tire de la cuerda de arranque hasta que se detenga. No suelte la cuerda de arranque cuando esté completamente extendida. Suelte la cuerda de arranque lentamente. Siga estas instrucciones para evitar daños en el motor.

7. Tire de la protección contra reculadas en la dirección del mango delantero para quitar el freno de cadena.
8. Sujete el mango trasero con la mano derecha y el mango delantero con la mano izquierda.

9. Use el producto.

### Para arrancar el motor en caliente

1. Mueva la protección contra reculadas hacia delante para acoplar el freno de cadena.
2. Oprima la perilla de cebado 6 veces.
3. Ponga el mando del estrangulador en la posición de estrangulamiento total.
4. Ponga el mando del estrangulador en la posición de no estrangulamiento.
5. Sujete el cuerpo del producto contra el suelo con la mano izquierda. Coloque el pie derecho sobre el mango trasero para estabilizar la motosierra. Tire de la empuñadura de la cuerda de arranque lentamente hasta que note algo de resistencia. Luego tire de la empuñadura de la cuerda de arranque con fuerza hasta que el motor arranque. (Fig. 51 )

**Nota:** No tire del gatillo mientras arranca el motor.



**PRECAUCIÓN:** No tire de la cuerda de arranque hasta que se detenga. No suelte la cuerda de arranque cuando esté completamente extendida. Suelte la cuerda de arranque lentamente. Siga estas instrucciones para evitar daños en el motor.

6. Tire de la protección contra reculadas en la dirección del mango delantero para quitar el freno de cadena.
7. Sujete el mango trasero con la mano derecha y el mango delantero con la mano izquierda.
8. Use el producto.

### Para arrancar el motor cuando el combustible está demasiado caliente

Si el producto no arranca, puede que el combustible esté muy caliente.

**Nota:** Utilice siempre combustible nuevo y reduzca el tiempo de funcionamiento cuando haga demasiado calor.

1. Coloque el producto en un área fresca alejada de la luz solar directa.
2. Deje que el producto se enfríe durante 20 minutos como mínimo.
3. Presione la perilla una y otra vez durante 10-15 segundos.
4. Siga el procedimiento para arrancar un motor frío. Consulte *Para arrancar el motor en frío en la página 121*.

### Para parar el motor

- Presione el botón de parada para detener el motor.

**Nota:** El interruptor de parada regresa automáticamente a su posición inicial.

## Para usar un apoyo de corteza

El apoyo de corteza impide las reculadas y sujeta la madera durante el corte. El apoyo de corteza es un pivote entre el cuerpo del motor y la espada.

1. Coloque el extremo inferior del apoyo de corteza en la anchura de bisagra correcta.
2. Presione, con la mano izquierda, el mango delantero mientras levanta el mango trasero con la mano derecha.
3. Utilice la sierra hasta llegar a la anchura de bisagra correcta.

**Nota:** La bisagra debe tener un grosor igual.

4. Corte con la sierra más de la mitad del diámetro y, a continuación, vuelva a colocar la cuña de derribo en el corte de sierra.

## Para talar un árbol

1. Retire la suciedad, las piedras, la corteza suelta, los clavos, las grapas y los alambres del árbol.
2. Realice una muesca de 1/3 del diámetro del tronco perpendicular a la dirección de la caída.(Fig. 52 )
3. Realice un corte de muesca horizontal inferior. Esto evitará pinzamientos en la cadena de sierra o la espada cuando se hace la segunda muesca.
4. Realice el corte de derribo (X) un mínimo de 50 mm (2 in) más alto que el corte de la muesca horizontal. Mantenga el corte de derribo paralelo al corte de muesca horizontal de manera que haya madera suficiente para que sirva de bisagra. No corte por la bisagra. La bisagra de madera evita que el árbol gire y caiga en la dirección incorrecta.(Fig. 53 )(Fig. 54 )
5. Cuando el corte de derribo se realiza cerca de la bisagra, el árbol comienza a caer. Asegúrese de que el árbol cae en la dirección correcta y no se

balancea hacia atrás y aplasta la cadena de sierra. Detenga el corte antes de realizar el corte de derribo para evitarlo. Utilice cuñas de madera, plástico o aluminio para abrir el corte y dejar caer el árbol a lo largo de la línea necesaria de caída.(Fig. 55 )

6. Cuando el árbol empiece a caer, retire el producto del corte, detenga el motor, coloque el producto en el suelo y salga por la vía de retirada prevista. Tenga cuidado con las ramas elevadas que caigan y preste atención a los pies.(Fig. 56 )

## Para desramar un árbol

1. Utilice ramas más largas para mantener el tronco alejado del suelo.
2. Retire las ramas pequeñas con un corte.(Fig. 57 )
3. Corte las ramas que tienen la tensión desde la parte inferior a la superior para evitar pinzamiento en la cadena de sierra o la espada.

## Para dividir un tronco



**PRECAUCIÓN:** No deje que la cadena de sierra entre en contacto con el suelo.

- Si el tronco está apoyado en toda su longitud, corte desde la parte superior del tronco (conocida como división superior).(Fig. 58 )
- Si el tronco está apoyado en un extremo, corte 1/3 del diámetro desde abajo del tronco (conocido como división inferior).(Fig. 59 )
- Si el tronco está apoyado en ambos extremos, corte 1/3 del diámetro desde la parte superior. El primer corte, mediante división inferior, debe cubrir los 2/3 inferiores del tronco.(Fig. 60 )
- Si divide un tronco en una pendiente, permanezca siempre en el lado superior del terreno. A la hora de cortar el tronco, debe tener un control absoluto del producto; luego, libere la presión de corte cerca del final del corte mientras sujeta firmemente el mango trasero y el mango delantero.(Fig. 61 )

# MANTENIMIENTO



**ADVERTENCIA:** Asegúrese de leer y comprender el capítulo sobre seguridad antes de limpiar, reparar o realizar tareas de mantenimiento en el producto.

## Programa de mantenimiento

Asegúrese de que se respete el programa de mantenimiento. Los intervalos se calculan a partir de uso diario del producto. Los intervalos son diferentes si no utiliza el producto cada día. Realice solamente el trabajo de mantenimiento indicado en este manual. Hable con un centro de servicio autorizado acerca de

otros trabajos de mantenimiento que no aparezcan en este manual.

## Mantenimiento diario

- Limpie las superficies externas.
- Asegúrese de que el bloqueo y el gatillo funcionan correctamente.
- Limpie el freno de cadena y compruebe que funcione correctamente.

(Fig. 62 )

- Examine el captor de cadena en busca de daños. Sustituya el captor de cadena si está dañado.

(Fig. 63 )

- Gire la espada cada día para que se desgaste de manera uniforme.
- Asegúrese de que el orificio de lubricación de la espada no esté obstruido.

(Fig. 64)

- Limpie la ranura de la espada.

(Fig. 65)

- Asegúrese de que la espada y la cadena de sierra tienen suficiente aceite.
- Examine la cadena de sierra:
  - Hay grietas visibles en los remaches y eslabones.
  - Hay remaches y eslabones irregularmente desgastados.
  - La tensión es la correcta.

Si es necesario, sustituya la cadena de sierra.

- Afíle la cadena de sierra. Consulte *Para afilar la cadena de sierra en la página 124*.
- Verifique que el piñón de arrastre no esté demasiado desgastado y cámbielo si es necesario.

(Fig. 66)

- Limpie la toma de aire de la unidad de arranque.
- Asegúrese de que las tuercas y los tornillos están bien apretados.
- Controle que el botón de parada funcione correctamente.
- Examine el motor, el depósito y los conductos de combustible en busca de fugas de combustible.
- Asegúrese de que la cadena de sierra no gira cuando el motor está al ralentí.

## Mantenimiento semanal

- Controle que el sistema refrigerante funcione correctamente.
- Asegúrese de que el motor de arranque, el cordón de arranque y el resorte de retorno funcionan correctamente.
- Compruebe que los aisladores de vibraciones no están dañados.

(Fig. 67)

- Lime las rebabas en los bordes de la espada.
- Limpie o cambie el apagachispas del silenciador.

(Fig. 68)

- Limpie las superficies externas del carburador y las zonas adyacentes.
- Limpie el filtro de aire. Para garantizar la máxima limpieza, instale un nuevo filtro de aire si está dañado o demasiado sucio. Consulte *Para limpiar el filtro de aire en la página 124* para obtener más información.

## Mantenimiento mensual

- Compruebe si está desgastada la cinta del freno de cadena. Sustituya cuando el grosor de la cinta de

freno sea inferior a 0,6 mm (0,024 in) en el punto más gastado.

(Fig. 69)

- Compruebe si están desgastados el centro, el tambor y el muelle de embrague.
- Limpie la bujía. Compruebe que la distancia entre los electrodos sea correcta.

(Fig. 70)

- Limpie las superficies externas del carburador y las zonas adyacentes.
- Revise el filtro y la manguera de combustible. Cámbielo si es necesario.
- Vacíe el depósito de combustible.
- Vacíe el depósito de aceite.
- Examine todos los cables y conexiones.

## Mantenimiento anual

- Examine la bujía.
- Limpie las superficies externas del carburador y las zonas adyacentes.
- Limpie el sistema de refrigeración.
- Examine el apagachispas.
- Examine el filtro de combustible.
- Examine la manguera de combustible en busca de daños.
- Examine todos los cables y conexiones.

## Mantenimiento intermitente

- Lleve el producto a un centro de servicio autorizado para reparar o sustituir el silenciador tras 50 horas de funcionamiento.
- Realice el mantenimiento de la bujía cuando:
  - El nivel de potencia del motor sea bajo.
  - Sea difícil arrancar el motor.
  - El motor no funcione correctamente al régimen de ralentí.
- Realice una comprobación de la lubricación de la cadena de sierra cada vez que reposte. Consulte *Para comprobar la lubricación de la cadena de sierra en la página 125*.

## Para ajustar el régimen de ralentí

Asegúrese de que el filtro de aire está limpio y la cubierta del filtro de aire está conectada antes de ajustar el régimen de ralentí.

1. Gire el tornillo de ajuste de ralentí, que se identifica con una marca de "T", hacia la derecha hasta que la cadena de sierra comience a girar.
2. Gire el tornillo de ajuste de ralentí, que se identifica con una marca de "T", hacia la izquierda hasta que la cadena de sierra se detenga.
3. El régimen de ralentí debe ser inferior a la velocidad cuando la cadena de sierra comienza a girar. El régimen de ralentí es correcto cuando el motor funciona con suavidad en todas las posiciones.

## Para limpiar el apagachispas

1. Utilice un cepillo de alambre para limpiar el apagachispas.

## Para realizar el mantenimiento de la bujía



**PRECAUCIÓN:** Utilice la bujía recomendada. Asegúrese de que el recambio es el mismo que la pieza suministrada por el fabricante. Una bujía incorrecta puede provocar daños en el producto.

1. Si el producto resulta difícil de arrancar o funcionar, examine la bujía en busca de materiales no deseados. Para reducir el riesgo de material no deseado en los electrodos de la bujía:
  - a) Asegúrese de que el régimen de ralentí esté bien ajustado.
  - b) Asegúrese de que la mezcla de combustible sea correcta.
  - c) Asegúrese de que el filtro de aire esté limpio.
2. Limpie la bujía si está sucia. Compruebe que la distancia entre los electrodos sea correcta.(Fig. 71 )
3. Sustituya la bujía cuando sea necesario.

## Para limpiar el filtro de aire

1. Saque la cubierta del filtro de aire y extraiga el filtro de aire.
2. Limpie el filtro de aire con agua jabonosa tibia. Asegúrese de que el filtro de aire esté seco antes de instalarlo.
3. Sustituya el filtro de aire si está demasiado sucio para poder limpiarlo completamente. Sustituya siempre el filtro de aire si se avería.

## Para afilar la cadena de sierra

### La cortadora

La parte cortante de una cadena de sierra se denomina cortadora, formada por un diente de corte (A) y un calibre de profundidad (B). La distancia en altura entre ellos determina la profundidad de corte (C).

(Fig. 72 )

Hay tres medidas que considerar para el afilado del diente de corte.

- Ángulo de afilado.

(Fig. 73 )

- Ángulo de corte.

(Fig. 74 )

- Posición de la lima.

(Fig. 75 )

- Diámetro de la lima redonda.

(Fig. 76 )

## Afilado de los dientes de corte

Utilice una lima redonda y un calibrador de afilado para afilar los dientes de corte. Consulte *Combinaciones de cadena de sierra y afilado de la cadena de sierra en la página 127* para obtener información sobre la dimensión recomendada de la lima y el calibrador de la cadena de sierra instalada en el producto.

1. Asegúrese de que la cadena de sierra está correctamente tensada. Con un tensado insuficiente, la cadena tiene inestabilidad lateral, lo cual dificulta el afilado correcto.
2. Afile primero todos los dientes de un lado. A continuación, use la lima en los dientes de corte de la cara interior y reduzca la presión del movimiento de retorno.
3. Gire el producto y afile los dientes del otro lado.
4. Afile todos los dientes a la misma longitud. Si solo quedan 4 mm (5/32") de la longitud de los dientes de corte, la cadena de sierra está desgastada y debe cambiarse.(Fig. 77 )

## Para ajustar el calibre de profundidad

Afile los dientes de corte antes de ajustar el calibre de profundidad. Consulte *Afilado de los dientes de corte en la página 124*. Al afilar el diente de corte (A), se reduce el calibre de profundidad (C). Para mantener una capacidad máxima de corte, hay que bajar el calibre de profundidad (B) al nivel recomendado. Consulte *Combinaciones de cadena de sierra y afilado de la cadena de sierra en la página 127* para conocer el ajuste del calibre de profundidad correcto de la cadena. (Fig. 78 ) (Fig. 79 )

**Nota:** Esta recomendación presupone que la longitud de los dientes de corte no se ha reducido anormalmente.

Utilice una lima plana y un calibrador de profundidad para ajustar el calibre de profundidad.

1. Ponga el calibrador de profundidad por encima de la cadena de sierra. En el envase del calibrador de profundidad hay instrucciones sobre su empleo.
2. Utilice la lima plana para limar el sobrante de la parte sobresaliente del talón de profundidad. La profundidad de corte es correcta cuando no se nota resistencia alguna al pasar la lima sobre el calibrador.

## Para tensar la cadena de sierra

**Nota:** Revise la tensión de una nueva cadena de sierra a menudo durante su periodo de rodaje.

1. Afloje las tuercas de la espada que fijan la cubierta del piñón. Utilice la llave combinada. (Fig. 80 )

2. Apriete las tuercas a mano, lo más fuerte que pueda.
3. Levante la parte superior de la espada y amplíe la cadena de sierra apretando el tornillo de tensado de cadena. Utilice la llave combinada. Tense la cadena de sierra hasta que deje de colgar por la parte inferior de la espada. (Fig. 81 )
4. Apriete las tuercas de la espada con la llave combinada y levante la puntera de la espada al mismo tiempo. (Fig. 82 )
5. Asegúrese de que puede tirar de la cadena de sierra con la mano con facilidad y que no cuelga. (Fig. 83 )

## Para lubricar el equipo de corte

### Para comprobar la lubricación de la cadena de sierra

Compruebe la lubricación de la cadena de sierra cada vez que se reposte.

1. Arranque el producto y déjelo funcionar a 3/4 de la velocidad. Dirija la punta de la espada hacia una

superficie de color claro situada a unos 20 cm (8 pulgadas) de distancia.

2. Después de 1 minuto de funcionamiento, una línea de aceite se muestra en la superficie de la luz.
3. Si no puede ver la línea de aceite después de 1 minuto, limpie el canal de aceite de la espada. Limpie la ranura del borde de la espada. Asegúrese de que el piñón de la punta de la espada gira libremente y que no hay obstrucciones en el orificio de lubricación. Limpie y lubrique el piñón de la punta.
4. Arranque el producto y déjelo funcionar a 3/4 de la velocidad. Dirija la punta de la espada hacia una superficie de color claro situada a casi 20 cm (8 pulg.) de distancia.
5. Después de 1 minuto de funcionamiento, una línea de aceite se muestra en la superficie de la luz.
6. Si no puede ver la línea de aceite después de 1 minuto, póngase en contacto con su concesionario autorizado.

---

## TRANSPORTE

---

- Limpie regularmente los depósitos de combustible y de aceite para cadena antes del transporte. Deseche los líquidos usados correctamente.
- Coloque la cubierta de la espada en el equipo de corte durante el transporte. Esto evita que las personas toquen la afilada cadena de sierra por accidente. Una cadena de sierra que no está en funcionamiento puede provocar lesiones al usuario o a otras personas que toquen la cadena de sierra afilada.
- Retire el sombrerete de bujía de la bujía y accione el freno de cadena antes del transporte.
- Asegúrese de que el producto no se mueva durante el transporte.

---

## ALMACENAMIENTO

---

- Cuando no esté en funcionamiento, guarde el producto de forma segura. Las fugas y los gases de escape del producto pueden entrar en contacto con chispas, llamas de equipos eléctricos, cortacéspedes eléctricos, relés/interruptores, calderas, etc.
- Guarde siempre el combustible en un recipiente homologado.
- Vacíe el depósito de combustible y de aceite para cadena cuando el producto se guarda durante largos periodos de tiempo. Deseche los líquidos usados correctamente.
- Durante el almacenamiento, ponga la cubierta de la espada. Así se evita que se toque accidentalmente la cadena de sierra afilada. Una cadena de sierra que no está en funcionamiento puede provocar lesiones graves al usuario o a quienes toquen la cadena de sierra afilada.
- Retire el sombrerete de bujía de la bujía y accione el freno de cadena antes del almacenamiento.

---

## DATOS TÉCNICOS

---

	unidad	120 Mark II (P02138HV)
<b>Especificaciones del motor</b>		
Cilindrada	cm <sup>3</sup>	38
Bujía		Champion RCJ7Y
Distancia entre los electrodos	mm (in)	0,5 (0,02)

	unidad	120 Mark II (P02138HV)
Volumen del depósito de combustible	cm <sup>3</sup>	300
Régimen de ralentí	min <sup>-1</sup>	2800-3200
Potencia de salida a 9000 min <sup>-1</sup>	kW	1,4
Período de durabilidad de emisiones	h	50
<b>Datos de vibración y ruido</b>		
Niveles de vibración equivalentes, a <sub>hveq</sub> , mango delantero <sup>36</sup>	m/s <sup>2</sup>	4,5
Niveles de vibración equivalentes, a <sub>hveq</sub> , mango trasero <sup>37</sup>	m/s <sup>2</sup>	6,0
Nivel de potencia acústica garantizado (L <sub>WA</sub> ) <sup>38</sup>	dB(A)	116
Nivel de potencia acústica medida <sup>39</sup>	dB(A)	110
Nivel de presión sonora en el oído del operador <sup>40</sup>	dB(A)	95
<b>Dimensiones del producto</b>		
Peso (sin equipo de corte)	kg	4,9
Volumen del depósito de aceite	cm <sup>3</sup>	200
<b>Sistema de combustible y lubricación</b>		
Capacidad de la bomba de aceite a 9000 min <sup>-1</sup>	ml/min	7
Volumen del depósito de aceite	cm <sup>3</sup>	200
Tipo de bomba de aceite		Detección
<b>Cadena de sierra y espada</b>		
Longitud de espada estándar	cm (in)	35-40 (14-16)
Longitudes de espada recomendadas	cm (in)	35-45 (14-18)
Longitud efectiva de corte	cm (in)	34-39 (13,5-15,5)
Velocidad máxima de la cadena de sierra	m/s	22,3
Paso de cadena de sierra	mm (in)	8,3 (0.325) 9,52 (3/8)
Grosor de los eslabones de arrastre (calibre)	mm (in)	1,3 (0,05)
Tipo de piñón de arrastre		Engranaje

<sup>36</sup> El nivel de vibración equivalente, según la norma ISO 22867, se calcula como la suma de energía, ponderada en el tiempo, de los niveles de vibración en diferentes condiciones de trabajo. Los datos referidos del nivel de vibración poseen una dispersión estadística habitual (desviación típica) de 1 m/s<sup>2</sup>.

<sup>37</sup> El nivel de vibración equivalente, según la norma ISO 22867, se calcula como la suma de energía, ponderada en el tiempo, de los niveles de vibración en diferentes condiciones de trabajo. Los datos referidos del nivel de vibración poseen una dispersión estadística habitual (desviación típica) de 1 m/s<sup>2</sup>.

<sup>38</sup> Emisiones sonoras en el entorno medidas como potencia acústica (L<sub>WA</sub>).

<sup>39</sup> Emisiones sonoras en el entorno medidas como potencia acústica (L<sub>WA</sub>).

<sup>40</sup> El nivel de presión sonora equivalente se calcula como la suma de energía, ponderada en el tiempo, de los niveles de presión sonora en diferentes condiciones de trabajo. La dispersión estadística habitual del nivel de presión sonora equivalente es la desviación típica de 1 dB (A).

	<b>unidad</b>	<b>120 Mark II (P02138HV)</b>
Número de dientes del piñón de arrastre		6 (piñón de arrastre 3/8)  7 (piñón de arrastre 0,325)

## ACCESORIOS

### Combinaciones de espada y cadena de sierra

Los siguientes accesorios de corte están homologados para el producto.

Espada				Cadena de sierra	
Longitud, cm (in)	Paso, mm (in)	Anchura de ranura, mm (in)	Máximo número de dientes, cabezal de rueda	Tipo	Longitud, eslabones de arrastre (unidad)
33 (13)	8,25 (0.325)	1,3 (0.050)	10T	Husqvarna H30	56
38 (15)	8,25 (0.325)				64
35 (14)	9,52 (3/8)		7T	Husqvarna H37	52
40 (16)	9,52 (3/8)				56
45 (18)	9,52 (3/8)				62

### Combinaciones de cadena de sierra y afilado de la cadena de sierra

Cadena de sierra					
Tipo de cadena	Tamaño de la lima redonda	Ángulo de la placa lateral	Ángulo de la placa superior	Ángulo de guía de afilado	Ajuste de la profundidad de corte
H30	3/16 in/4,8 mm	60 °	30°	10°	0,025 in/0,65 mm
H37	5/32 in/4,0 mm	60 °	30°	0°	0,025 in/0,65 mm

## CONTENIDO DE LA DECLARACIÓN DE CONFORMIDAD CE

Nosotros, Husqvarna AB, SE 561 82 Huskvarna, SUECIA, declaramos bajo nuestra exclusiva responsabilidad que el producto representado:

Descripción	Motosierra de gasolina
Marca	Husqvarna

Descripción	Motosierra de gasolina
Plataforma/tipo/modelo	La plataforma P02138HV, que representa el modelo 120 tipo II

<b>Descripción</b>	<b>Motosierra de gasolina</b>
Lote	Número de serie a partir del año 2018 y en adelante

Cumple las siguientes directivas y normas de la UE:

<b>Directiva/Norma</b>	<b>Descripción</b>
2006/42/CE	"relativa a las máquinas"
2014/30/UE	"relativa a la compatibilidad electromagnética"
2000/14/CE	"relativa al ruido en exteriores"

Las normas armonizadas o especificaciones técnicas aplicadas son las siguientes: EN ISO 12100, EN ISO 11681-1, CISPR 12, ISO 14982

De acuerdo con la directiva 2000/14/CE, Anexo V, los valores de sonido declarados se indican en el capítulo Datos técnicos de este manual y en la declaración de conformidad CE firmada.

TÜV Rheinland LGA Products GmbH, organismo notificado para la Directiva relativa a las máquinas (notificado bajo el código 0197), Tillystraße 2 - 90431 Nürnberg (Alemania), ha llevado a cabo un examen tipo CE conforme a la directiva 2006/42/CE, artículo 12, punto 3b.

El certificado de examen, conforme al Anexo IX y como se indica en la declaración de conformidad firmada, es aplicable a todas las plantas de fabricación y países de origen, tal y como se indica en el producto.

La presente motosierra es conforme con la muestra que se sometió al examen tipo CE.



---

## Sisukord

---

SISSEJUHATUS.....	129	TRANSPORTIMINE.....	139
OHUTUS.....	130	HOIUSTAMINE.....	139
KOKKUPANEK.....	133	TEHNILISED ANDMED.....	139
Kasutamine.....	134	ACCESSORIES (Lisavarustus).....	140
HOOLDUS.....	136	EL-I VASTAVUSDEKLARATSIOONI SISU.....	141

---

## SISSEJUHATUS

---

### Kasutusjuhend

Selle kasutusjuhendi originaal on koostatud inglise keeles. Teistes keeltes kasutusjuhendid on tõlgitud inglise keelest.

### Ülevaade

(Joon. 1 )

1. Silt tootenumbri ja seerianumbriga.
2. Gaasipäästiku lukusti
3. Esikäepide
4. Silindri kate
5. Ketipidur ja turvakäepide
6. Summuti
7. Kooretugi
8. Juhtplaadi nina veotähik
9. Parema käe kaitse
10. Gaasipäästik
11. Veotähiku kate
12. Ketipüüdja
13. Juhtplaat
14. Saekett
15. Käiviti käepide
16. Ketioili paak
17. Starter
18. Kütusepaak
19. Õhuklapp
20. Tagumine käepide
21. Seiskamislüliti
22. Tühikäigu reguleerimiskruvi
23. Kütusepump
24. Teavitamis- ja hoiatustähised.
25. Ketipingutuskrugi
26. Juhtplaadi kate
27. Kombitööriist
28. Kahetaktiõli
29. Kasutusjuhend (EPA)

### Sümbolid tootel

(Joon. 2 ) Hoiatus

(Joon. 3 ) Lugege läbi käesolev kasutusjuhend

Kandke heakskiidetud peakaitset,  
(Joon. 4 ) kõrvaklappe ja silmade kaitset

(Joon. 5 ) Kandke heakskiidetud kaitsekindaid

See seade vastab kehtivatele EÜ  
(Joon. 6 ) direktiividele.

(Joon. 7 ) Helitugevuse tase

Ketipidur, rakendamata (vasakul). Ketipidur,  
(Joon. 8 ) rakendatud (paremal).

(Joon. 9 ) Õhuklapp

(Joon. 10 ) Kütusepump

(Joon. 11 ) Kütuse lisamine

(Joon. 12 ) Ketioili lisamine

(Joon. 13 ) Toode vastab kehtivatele EAC direktiividele.

Toode vastab kehtivatele Ukraina  
(Joon. 14 ) direktiividele

(Joon. 15 ) Müratase

(Joon. 16 ) Hoidke toodet kindlalt mõlema käega

(Joon. 17 ) Ärge kasutage seadet ühe käega

(Joon. 18 ) Ärge puudutage juhtplaadi nina

(Joon. 19 ) Jälgi tagasilööki

Toode vastab Austraalia ja Uus-Meremaa  
elektromagnetilise ühilduvuse  
(Joon. 20 ) vastavusdirektiividele.

**Märkus:** Seadmel toodud ülejäänud sümbolid/tähised vastavad muude kommertsvaldkondade sertifitseerimisnõuetele.

## Tootevastutus

Tootevastutusseaduste alusel ei vastuta me tootest tingitud kahjustuste eest, kui:

- toodet on valesti parandatud;
- toote parandamisel on kasutatud osi, mis ei ole tootja poolt valmistatud või heaks kiidetud;
- tootel on kasutatud tarvikut, mis ei ole tootja poolt valmistatud või heaks kiidetud;
- toodet ei ole parandatud volitatud hoolduskeskuses või volitatud isiku poolt.

# OHUTUS

## Ohutuse määratlused

Järgnevad määratlused näitavad mürgusõnade raskusastet.



**HOIATUS:** Kehavigastused.



**ETTEVAATUST:** Toote kahjustus.

**Märkus:** See teave hõlbustab toote kasutamist.

## Üldised ohutuseeskirjad

- Kasutage toodet õigesti. Valesti kasutamise tagajärjeks võib olla kehavigastus või surm. Kasutage toodet ainult käesolevas kasutusjuhendis kirjeldatud tööde tegemiseks. Ärge kasutage toodet muude tööde tegemiseks.
- Lugege kasutusjuhend läbi, tehke juhendid endale arusaadavaks ja järgige neid. Järgige hoiatussümboleid ja ohutuseeskirju. Kui operaator ei järgi juhiseid, eeskirju ja sümboleid, võib selle tagajärjeks olla kahjustus, kehavigastus või surm.
- Hoidke see kasutusjuhend alles. Tarvitage kasutusjuhendit toote kokkupanemisel, kasutamisel ja heas töökorras hoidmisel. Tarvitage kasutusjuhendit tarvikute ja lisavarustuse õigeks paigaldamiseks. Kasutage ainult heakskiidetud tarvikuid ja lisavarustust.
- Ärge kasutage kahjustatud toodet. Järgige hoolduskeemi. Tehke ainult neid hooldustöid, mille juhised on toodud selles kasutusjuhendis. Kõik ülejäänud hooldustööd peab tegema volitatud hoolduskeskus.
- Selles kasutusjuhendis ei saa kirjeldada kõiki olukordi, mis võivad toote kasutamise käigus ette tulla. Olge ettevaatlik ja kasutage tervet mõistust. Ärge kasutage toodet ega tehke hooldustöid, kui te pole antud olukorras kindel. Vestelge lisateabe saamiseks toote asjatundja, edasimüüja, hooldustöökoja või volitatud hoolduskeskuse esindajaga.
- Enne toote kokkupanemist, hoiale asetamist või hooldustööde tegemist lahutage süüteküünlal juhe.

- Ärge kasutage toodet, kui selle algeid tehnilisi näitajaid on muudetud. Ärge muutke toote ühtegi osa ilma tootja heakskiiduta. Kasutage ainult tootja poolt heaks kiidetud osi. Vale hooldamise tagajärjeks võib olla kehavigastus või surm.
- Ärge hingake sisse mootori heitgaase. Mootori heitgaaside, pihustunud ketiõli ja saepuru pikaajaline sissehingamine võib olla tervisele ohtlik.
- Ärge käivitage toodet siseruumis ega tuleohtlike materjalide ligidal. Heitgaasid on tulised ja võivad sisaldada sädemeid, mis võivad põhjustada tulekahju. Ebapiisav õhuvahetus võib põhjustada lämbumisest või vingugaasimürgistusest tingitud kehavigastuse või surma.
- Toode tekitab töötades elektromagnetvälja. Elektromagnetväli võib kahjustada meditsiinilisi implantaate. Enne toote kasutamist pidage nõu oma arsti ja implantaadi valmistajaga.
- Ärge lubage lastel toodet käsitseda.
- Ärge lubage kasutusjuhistega mitte tutvunud isikul toodet käsitseda.
- Kui toodet kasutab piiratud füüsiliste või vaimsete võimete isik, peab ta olema kogu aeg järelevalve all. Vastutusvõimeline täiskasvanu peab kogu aeg kasutaja juures viibima.
- Kasutusel mitte olev toode lukustage kohta, kus lapsed ja volitamata isikud selle juurde ei pääse.
- Toode võib esemeid õhku paisata ja põhjustada kehavigastusi. Vigastus- ja surmaohtu vähendamiseks järgige ohutuseeskirju.
- Ärge lahkuge töötava mootoriga toote juurest. Seisake mootor ja veenduge, et kett oleks peatunud.
- Õnnetusjuhtumite eest toote kasutamisel vastutab toote operaator.
- Enne toote kasutamist veenduge, et kõik osad oleksid terved.
- Tutvuge riiklike või kohalike eeskirjadega. Need võivad toote kasutamist teatud asjaoludel piirata või selle keelata.

## Ohutusjuhised kasutamisel

- Continuous or regular operation of the product can cause "white finger" or equivalent medical problems from vibrations. Examine the condition of your hands and fingers if you operate the product continuously or regularly. If your hands or fingers have

discoloration, have pain, tingle, or are numb, stop work and speak to a physician immediately.

- Enne toote kasutamist veenduge, et see oleks täielikult kokku pandud.
- Toode võib esemeid õhku paisata ja see võib kahjustada silmi. Toote kasutamisel kandke alati heakskiidetud kaitseprille.
- Olge tähelepanelik, sest näiteks laps võib toote kasutamise ajal ootamatult teie lähedale tulla.
- Ärge kasutage toodet, kui tööpiirkonnas on inimesi. Peatage toode, kui tööpiirkonda siseneb inimene.

(Joon. 21 )

- Veenduge, et toode oleks alati teie kontrolli all.
- Toodet tuleb kasutada kahe käega hoides. Ärge kasutage toodet ühe käega hoides. Serious injury to the operator, workers, bystanders, or a combination of these persons may result from operation with only one hand.
- Hoidke eesmist käepidet vasaku käega ja tagumist käepidet parema käega. Hold the product on the right side of your body.

(Joon. 22 )

- Do not operate the product when you are fatigued, ill or under the influence of alcohol or other drugs.
- Ärge kasutage toodet, kui te ei saa võimaliku õnnetusjuhtumi korral kedagi appi kutsuda. Make others aware that you will operate the product before you start the product.
- Ärge pöörake end koos tootega enne, kui olete veendunud, et ohualas ei viibiks ühtegi inimest ega looma.
- Enne töö alustamist eemaldage tööpiirkonnast kõik sobimatud esemed. Kui kett pörkab vastu eset, võib ese õhku paiskuda ja põhjustada kehavigastuse või kahjustusi. Sobimatud esemed võivad keti külge takerduda ja põhjustada kahjustusi.
- Ärge kasutage toodet halva ilma (nt udu, vihma, tugev tuule, äikeseohu vms ilmaolude) korral. Halva ilmaga võivad tekkida ohtlikud tingimused (näiteks libedad pinnad).
- Veenduge et saaksite liikuda vabalt ja töötada stabiilses asendis.
- Kindlustage, et te ei saaks toote kasutamise ajal kukkuda. Ärge kallutage toote kasutamise ajal.
- Hoidke toodet alati kahe käega. Hoidke eesmist käepidet vasaku käega ja tagumist käepidet parema käega. Hold the product on the right side of your body.
- Kui õhuklapp on mootori käivitamisel täisgaasi asendis, hakkab kett pöörlema.
- Enne toote liigutamist seisake mootor.
- Ärge asetage töötava mootoriga toodet maha.
- Before you remove the unwanted materials from the product, stop the engine. Let the chain stop before you or an aid remove the cut material.

- Do not operate this product in a tree. Operation of the product while up in a tree may result in personal injury.

(Joon. 23 )

- The chain brake must be engaged when the product is started to decrease the risk that the saw chain touches you during start.

(Joon. 24 )

- Avoid kickback, skating, bouncing and dropping, which can result in serious injury.
- Obey all safety rules to help avoid kickback and other forces which can result in serious injury.
- Adjust the saw chain tension regularly to make sure that the saw chain does not slack. A slack saw chain may jump off and cause serious injury or death.
- Puid langetage selleks ettenähtud toimingute kohaselt. Muidu võite põhjustada kehavigastusi inimestele, kahjustada elektriliine või vara.
- The operator should remain on the uphill side of the terrain as the tree is likely to roll or slide downhill after it is felled.

(Joon. 25 )

- Enne lõikamise alustamist kavandage ja vabastage väljapääsutee. The escape path should extend back and diagonally to the rear of the expected line of fall.

(Joon. 26 )

- Enne tootega puude vahel liikumist seisake mootor.
- Make sure you firmly plant your feet on the ground and distribute your weight evenly.

(Joon. 27 )

- Always keep proper footing and operate the product only when standing on fixed, secure and level surface. Slippery or unstable surfaces such as ladders may cause a loss of balance or control.

(Joon. 28 )

## Tagasiviskumine, liugumine, pörkumine ja kukkumine

Toote ohutust võivad mõjutada erinevad tegurid.

•

- **Pörkumine** – juhtplaat pörkub puust eemale ja puudutab seda uuesti.
- **Kukkumine** – toode kukub pärast lõikamist maha. Selle tagajärjel võib liikuv kett puudutada mõnd kehaosa või muid esemeid ja põhjustada kehavigastusi või kahjustusi.
- **Tagasiviskumine** – juhtplaadi ots puudutab mõnd eset ja liigub äkitselt tagasi-, üles- või edasisuunas. Tagasiviskumise põhjustab ka olukord, kus puu pigistab saeketi lõikamise ajal kinni. Loss of control can result if the product touches an object in wood.

(Joon. 29 )

- **Pöörlemisest tingitud tagasiviskumine** võib tekkida, kui liikuv kett juhtplaadi otsas puutub vastu mõnda eset. Selle tagajärjel võib kett

esemesse lõikuda ja kohe seisma jääda. The result is a very fast, reverse reaction that moves the guide bar up and rearward in the direction of the operator.

(Joon. 30 )

(Joon. 31 )

- **Kinnikilumisest tingitud tagasiviskumine** võib tekkida, kui saekett äkitselt lõikamise ajal peatub. Juhtplaadi ülaservas liikuv saekett jääb puu sisse kinni. Keti äkiline peatumine tekitab vastujõu, mis põhjustab toote vastupidise liikumise keti liikumissuunale. The product moves rearward in the direction of the operator.

(Joon. 32 )

- **Sissetõmbamine** võib tekkida, kui liikuv kett juhtplaadi alumises servas puutub vastu puus olevat eset ja saekett seiskub järsult. The sudden stop pulls the product forward and away from the operator, which can easily cause the loss of control of the product by the operator.

(Joon. 33 )

Enne toote kasutamist viige end kindlasti kurssi erinevate jõudude ja nende vältimisega.

## Tagasiviskumise, liugumise, pörkimise ja kukkumise ärahoidmine

- Kui mootor töötab, hoidke toodet kindlalt. Hoidke parema käega tagumisest käepidemest ja vasakuga eesmisest käepidemest. Hoidke sõrmedega kõvasti käepidemest kinni. Ärge vabastage haaret.
- Juhtige toodet nii lõikamise ajal kui pärast puu langetamist. Ärge laske tootel pärast lõikamist raskuse mõjul langeda. (Joon. 34 )
- Veenduge, et lõikamisala oleks takistustest vaba. Do not let the nose of the guide bar touch a log, branch or other blockages while you operate the product.
- Rakendage lõikamisel suurt mootori pöörlemiskiirust.
- Do not overreach or cut above shoulder height. (Joon. 35 )
- Obey the manufacturer's sharpening and maintenance instructions for the saw chain.
- Kasutage asendamiseks ainult tootja soovitatud juhtplaate ja saekette.
- The risk of kickback is increased if the depth gauge setting is too large.

## Isiklik kaitsevarustus

- Toote kasutamise ajal kandke alati kohast isiklikku kaitsevarustust. Isiklik kaitsevarustus ei kõrvalda täielikult kehavigastuste ohtu. Isiklik kaitsevarustus vähendab õnnetuse korral kehavigastuse raskusastet.
- Generally, clothes should be close-fitting without restricting your freedom of movement.
- Kandke heakskiidetud kaitsekiivrit.

- Toote kasutamisel kandke alati heakskiidetud kõrvaklappe. Pikaajaline mürakeskkonnas viibimine võib põhjustada kuulmiskadu.
- Use protective glasses or a face visor to reduce the risk of injury from thrown objects. The product is capable of throwing objects, such as wood chips, small pieces of wood, etc., at great force. See võib tekitada tõsise vigastuse, eriti silmadele.
- Kandke kettsae kasutamiseks ettenähtud kaitsekindaid.
- Use trousers with chainsaw protection.
- Use boots with chainsaw protection, steel toe-cap and non-slip sole.
- Veenduge, et läheduses asuks esmaabikomplekt.
- Summutist, juhtplaadist, saeketist ja mujalt võivad paiskuda sädemed. Always have fire extinguishing tools and a shovel available to help prevent forest fires.

## Toote kaitseeadised

- Tehke regulaarselt toote ettenähtud hooldustöid.

- Toote kasutusiga pikeneb.
- Õnnetuste oht väheneb.

Laske toode edasimüüja juures või volitatud hoolduskeskuses regulaarselt läbi vaadata ja teha vajalikud reguleerimis- või parandustööd.

- Ärge kasutage toodet, kui kaitseeadised on kahjustatud. Kui toode saab kahjustada, pöörduge volitatud hoolduskeskusesse.

## Seiskamisüliti

Käivitage mootor. Veenduge, et seiskamisüliti seadmisel seiskamisasendisse mootor seiskuks.

## To examine the throttle trigger lockout

1. Make sure that the trigger (B) is locked at idle when you release the trigger lockout (A). (Joon. 36 )
2. Vajutage gaaspäästiku lukustit (A) ja veenduge, et vabastamisel liiguks see tagasi algasendisse.
3. Vajutage gaaspäästikut (A) ja veenduge, et vabastamisel liiguks see tagasi algasendisse.
4. Käivitage mootor ja rakendage täiskiirus.
5. Vabastage gaaspäästik ja kontrollige, kas saekett peatub.
6. Kui mootori tühikäigul saekett pöörleb, kontrollige karburaatori tühikäigu reguleerimiskruvi.

## Kaitse

Kaitse ei lase esemetel toote kasutaja suunas paiskuda. Samuti hoiab kaitse ära juhusliku kokkupuute toote kasutaja ja saeketi vahel.

- Kontrollige kindlasti, kas kaitset tohib tootega koos kasutada.
- Ärge kasutage toodet ilma kaitseta.

- Veenduge, et kaitse oleks kahjustamata. Kui kaitse on kulunud või kahjustatud, tuleb see välja vahetada.

## Ohutusnõuded kütuse käsitlemisel

- Ärge käivitage toodet, kui toote pinnale on sattunud kütust või mootoriõli. Eemaldage kütus/õli toote pinnalt ja laske tootel kuivada. Eemaldage kütus toote pinnalt.
- Kui kütus satub rõivastele, siis vahetage kohe riideid.
- Vältige kütuse sattumist nahale, see võib põhjustada kehavigastusi. Kui kütus satub nahale, puhastage piirkond seebi ja veega.
- Ärge käivitage mootorit, kui kütus või õli satub toote pinnale või teie nahale.
- Ärge käivitage toodet, kui mootor lekib. Kontrollige regulaarselt mootori lekkekindlust.
- Olge kütuse käsitlemisel ettevaatlik. Kütus on tuleohtlik ja kütuse aurud on plahvatusohtlikud ning võivad põhjustada kehavigastusi või surma.
- Ärge hingake sisse kütuseaure, see võib põhjustada kehavigastuse. Tagage piisav õhuvahetus.
- Ärge suitsetage kütuse ega mootori läheduses.
- Ärge asetage kuumi esemeid kütuse ega mootori lähedusse.
- Ärge tankige kütust, kui mootor töötab.
- Enne tankimise alustamist veenduge, et mootor oleks külm.
- Enne tankimise alustamist avage aeglaselt kütusepaagi kork ja laske survel alaneda.
- Ärge tankige mootorit siseruumis. Ebapiisav õhuvahetus võib põhjustada lämbumist või vingugaasimürgitusest tingitud kehavigastuse või surma.
- Keerake kütusepaagi kork hoolikalt kinni, et vältida tulekahju.
- Enne käivitamist viige toode vähemalt 3 m (10 jala) kaugusele kohast, kus toimus kütusepaagi täitmine.
- Ärge tankige paaki liiga palju kütust.
- Veenduge, et toote või kütusenõu liigutamisel ei tekiks leket.
- Ärge asetage toodet või kütusenõu kohta, kus on lahtine leek, sädemed või süütleek. Veenduge, et hoiukohas ei oleks lahtist leeki.
- Kütuse kandmiseks või hoidmiseks kasutage üksnes heakskiidetud mahuteid.
- Enne pikaajalise hoiule jätmist tühjendage kütusepaak. Järgige kütuse kasutusel kõrvaldamist reguleerivaid kohalikke eeskirju.

- Enne pikaajalise hoiule jätmist puhastage toode.
- Enne toote hoiule jätmist eemaldage süüteküünlaku juhe, et vältida mootori tahtmatu käivitamise võimalust.

## Ohutusjuhised hooldamisel

- Enne toote hooldamist (v.a karburaatori reguleerimise korral) lahutage seadmest süüteküünlaku juhe.
- Laske toodet hooldada üksnes volitatud edasimüüjal (v.a jaotises *HOOLDUS lk 136* kirjeldatud toimingute korral).
- Make sure the saw chain stops moving when the throttle trigger is released.
- Hoidke käepidemed kuivad ja puhtad õlist või kütusesegust.
- Veenduge, et korgid ja kinnitused oleksid korralikult kinnitatud.
- Heakskiitmata asenduosade kasutamine ja kaitseosade eemaldamine võib toodet kahjustada. See võib kahjustada ka kasutajat või kõrvalseisjaid. Kasutage ainult soovitatud asenduosasid ja tarvikuid. Ärge muutke toodet.
- Suure jõudluse ja ohutuse huvides teritage ja puhastage saeketti regulaarselt.
- Määrimise ja tarvikute vahetamise korral järgige juhendeid.
- Kontrollige, kas tootel ei esine kahjustunud osi. Enne toote kasutamist kontrollige kindlasti, kas kahjustud kaitse või osa töötab korralikult. Kontrollige, kas esineb osi, mis on vales asendis ega liigu. Kontrollige, kas esineb muid toote kasutamist mõjutavaid asjaolusid. Veenduge, et toode oleks õigesti paigaldatud. Kaitset või mõnda muud kahjustunud osa tohib parandada või asendada volitatud edasimüüja, juhul, kui kasutusjuhendis pole märgitud teisiti.
- Kui toodet ei kasutata, hoidke seda kuivas kõrges või lukustatud kohas, kus lapsed sellele juurde ei pääse.
- Toote transportimisel või hoiustamisel kasutage toote liigutamiseks juhtplaadi katet või kasti.
- Ärge kasutage läbitöötatud õli. Läbitöötatud õli võib olla ohtlik ning kahjustada toodet ja keskkonda.

---

## KOKKUPANEK

---



**HOIATUS:** Enne toote kokkupanekut lugege ohutuspeatükki ja tehke selles olev teave endale arusaadavaks.

### Juhtplaadi ja saeketi paigaldamine

1. Liigutage turvakäepide tagasi esikäepideme suunas, et vabastada ketipidur.
2. Klappige nupp välja avatud asendisse. (Joon. 37)

3. Plaadi kate vabastamiseks keerake nappu vastupäeva. (Joon. 38)
4. Eemaldage napp (A) ja veotähiku kate. Eemaldage transpordikaitse, kui see on paigaldatud. (Joon. 39)
5. Asetage juhtplaat juhtplaadi poltidele. Viige juhtplaat kõige tagumisse asendisse. Pange kett veotähiku kohale ja asetage see juhtplaadis olevasse soonde. Alustage juhtplaadi ülemisest servast. (Joon. 40)
6. Veenduge, et löikelülide ääred juhtplaadi ülemisel serval oleksid suunatud ettepoole.
7. Paigaldage veotähiku kate ja asetage ketipingutustift juhtplaadis olevasse auku. Veenduge, et keti veolülid asuksid veotähikul õigesti Samuti kontrollige kindlasti, kas saekett on korralikult juhtplaati soones. (Joon. 41)
8. Pingutage saeketti, keerates ratast allapoole (+). Pingutage saeketti nii, et see enam juhtplaadi alumisel küljel lõdvalt ei ripuks. (Joon. 42)
9. Saekett on õigesti pingutatud siis, kui see enam juhtplaadi alumisel küljel lõdvalt ei ripu, kuid seda saab hõpsalt käsi liigutada.
10. Hoidke juhtplaadi otsa üleval ja keerake selle pingutamiseks nappu päripäeva. (Joon. 43)

- Pärast uue saeketi paigaldamist ja sissetöötamist kontrollige keti pingsust regulaarselt.
- Kontrollige regulaarselt keti pingsust. Keti õige pingsus tagab head lõikeomadused ja pika kasutusea.

## To reset the chain brake

Kui sidurikate eemaldatakse kogemata sel ajal, kui ketipidur on rakendatud, tuleb ketipidur vabastada, et sidurikatte saaks paigaldada ilma siduritrumlit sidumata.



**ETTEVAATUST:** Ketipiduri vedru on pingel all. Olge ketipiduri lähtestamisel ettevaatlik.

**Märkus:** Do not hold the brake band while attempting to reset it.

1. Paigutage juhtplaadi instrumendi sooned nii, et need sobituvad piduri pöördlülil peale. (Joon. 44)
2. Piduri lähtestamiseks pöörake lüli päripäeva, kuni see jääb seisma. Kui ketipidur on vabastatud, on eesmine lüli all pööratud asendis. (Joon. 45) (Joon. 46)

## Kasutamine



**HOIATUS:** Enne toote kasutamist lugege ohutuspeatükki ja tehke selles olev teave endale arusaadavaks.

### Kütuse kasutamine



**ETTEVAATUST:** Tootel on kahetaktiline mootor. Kasutage bensiini ja kahetaktiliste mootorite mootoriõli segu. Jälgige, et õli kogus segus oleks õige. Vale bensiini ja õli suhe võib mootorit kahjustada.

### Kütusesegu suhe

Bensiini ja kahetaktilise mootori mootoriõli kütusesegu suhe on 50:1 (2%)

Bensiin	Kahetaktiliste mootorite mootoriõli
1 USA gallon	77 ml (2,6 untsi)
1 Briti gallon	95 ml (3,2 untsi)
5 l	100 ml (3,4 untsi)

### Kütusesegu valmistamine

1. Määrake kindlaks bensiini ja mootoriõli õige kogus (segusuhe 50:1). Ärge valmistage rohkem kütusesegu, kui kulub umbes 30 päeva jooksul. Vt jaotist *Kütuse kasutamine lk 134*.

2. Valage pool vajaminevast kütusekogusest puhtasse ülevoolukaitsega kütusenõusse.



**ETTEVAATUST:** Ärge kasutage bensiini, mille etanoolisisaldus (E10) on üle 10%. See võib toodet kahjustada.



**ETTEVAATUST:** Ärge kasutage bensiini, mille oktaaniarv on alla 90 RON (87 AKI). See võib toodet kahjustada.

**Märkus:** Kui toode töötab sageli püsivalt kõrge mootori kiirusega, kasutage suurema oktaaniarvuga bensiini.

3. Valage kütusenõusse kogu vajaminev kahetaktilise mootori mootoriõli kogus.



**ETTEVAATUST:** Kasutage kvaliteetset mootoriõli, mis on ette nähtud õhkjahutusega kahetaktiliste mootorite jaoks. Muud õlid võivad toodet kahjustada.

4. Loksutage kütusesegu, et koostisosad seguneksid.
5. Valage ülejäänud bensiinikogus kütusenõusse.
6. Loksutage kütusesegu, et koostisosad seguneksid.
7. Täitke toote kütusepaak kütuseseguga. Vt jaotist *Kütuse kasutamine lk 134*.

## Kütusepaagi täitmine

1. Veenduge, et kütusesegu oleks õige ja et see oleks ülevoolukaitsega kütusenõus.
2. Kui nõul on kütust, eemaldage ebavajalik kütus ja laske nõul kuivada.
3. Veenduge, et kütusepaagi korgi ümbrus oleks puhas.
4. Remove the fuel tank cap.
5. Enne kütusesegu lisamist kütusepaaki loksutage kütusenõud.
6. Pange kütusepaagi kork tagasi.

## Saeketi määrimine

Tootel on automaatne määrimissüsteem. The saw chain oil tank and the fuel tank are designed so that the fuel runs out before the saw chain oil. This safety feature requires that the correct chain oil is used and that the instructions are obeyed.

1. Kasutage taimse koostisega saeketiõli või tavalist saeketiõli.
2. Veenduge, et saeketiõli paagi korgi ümbrus oleks puhas.
3. Remove the cap of the saw chain oil tank.
4. Täitke saeketiõli paak soovitatud saeketiõliga.
5. Pange saeketiõli paagi kork tagasi.

## Käivitamine ja seiskamine

### Enne mootori käivitamist

- Veenduge, et tootel poleks puuduvaid, kahjustatud, lahtisi või kulunud osi.
- Kontrollige mutreid, kruvisid ja polte.
- Kontrollige õhufiltrit.
- Kontrollige, kas gaasipäästiku lukusti ja gaasipäästik töötavad korralikult.
- Kontrollige, kas seiskamisüliliit töötab korralikult.
- Kontrollige, kas tootel ei esine kütuseleket.
- Kontrollige saeketi teravust ja pingsust.

### Külma mootori käivitamine

1. Liigutage eesmist käekaitset edasi, et rakendada ketipidur. (Joon. 47 )
2. Vajutage kütuse etteandepumpa 6 korda. (Joon. 48 )
3. Viige õhuklapp õhuklapi täisasendisse. (Joon. 49 )
4. Suruge toote korpus vasaku käega vastu maad. Pange parem jalalaba kettsae asendi stabiliseerimiseks läbi tagumise käepideme. Tõmmake aeglaselt käivitusnööri käepidet, kuni tunnete vastupanu. Siis tõmmake käivitusnööri käepidet jõuga 5 korda. (Joon. 50 )

**Märkus:** Mootorit käivitades ärge vajutage gaasipäästikule.

5. Viige õhuklapp õhuklapi nullasendisse.

6. Tõmmake käivitusnööri käepidet, kuni mootor käivitub. Pärast käivitumist oodake 60 sekundit ja alles siis vajutage gaasipäästikule.



**ETTEVAATUST:** Ärge tõmmake käivitusnööri enne, kui see peatub. Ärge laske täiesti välja tõmmatud käivitusnööri käest lahti. Vabastage käivitusnõõr aeglaselt. Järgige neid juhiseid, et mootorit mitte kahjustada.

7. Tõmmake eesmist käekaitset esikäepideme suunas, et vabastada ketipidur.
8. Hoidke tagumist käepidet parema käega ja eesmist käepidet vasaku käega.
9. Kasutage toodet.

### Sooja mootori käivitamine

1. Liigutage eesmist käekaitset edasi, et rakendada ketipidur.
2. Vajutage kütuse etteandepumpa 6 korda.
3. Viige õhuklapp õhuklapi täisasendisse.
4. Viige õhuklapp õhuklapi nullasendisse.
5. Suruge toote korpus vasaku käega vastu maad. Pange parem jalalaba kettsae asendi stabiliseerimiseks läbi tagumise käepideme. Tõmmake aeglaselt käivitusnööri käepidet, kuni tunnete vastupanu. Tõmmake tugevalt käivitusnööri käepidet, kuni mootor käivitub. (Joon. 51 )

**Märkus:** Mootorit käivitades ärge vajutage gaasipäästikule.



**ETTEVAATUST:** Ärge tõmmake käivitusnööri enne, kui see peatub. Ärge laske täiesti välja tõmmatud käivitusnööri käest lahti. Vabastage käivitusnõõr aeglaselt. Järgige neid juhiseid, et mootorit mitte kahjustada.

6. Tõmmake eesmist käekaitset tagasi esikäepideme suunas, et vabastada ketipidur.
7. Hoidke tagumist käepidet parema käega ja eesmist käepidet vasaku käega.
8. Kasutage toodet.

### Mootori käivitamine ülekuumenenud kütusega

Kui toode ei käivitu, võib kütus olla ülekuumenenud.

**Märkus:** Kasutage värsket kütust ja vähendage soojade ilmade korral tööaega.

1. Asetage toode jahedasse kohta, mis on varjatud otsese päikesevalguse eest.
2. Laske tootel vähemalt 20 minutit jahtuda.
3. Vajutage kütusepumpa 10–15 sekundit.

4. Järgige külma mootori käivitamise juhiseid. Vt jaotist *Külma mootori käivitamine lk 135.*

## Mootori seiskamine

- Mootori seiskamiseks vajutage seiskamislülitit.

**Märkus:** Seiskamislülitit naaseb automaatselt algasendisse.

## Kooretõe kasutamine

Kooretugi takistab tagasiviskumist ja hoiab puud lõikamise ajal paigal. Kooretugi on mootori korpuse ja juhtplaadi vaheline pöördetugi.

1. Asetage kooretõe alumine ots selliselt, et saavutaksite õige liigendilaiuse.
2. Suruge vasaku käega esikäepidet ja tõstke parema käega tagumist käepidet.
3. Saagige, kuni liigend on saavutanud õige laiuse.

**Märkus:** Liigend peab olema ühtlase paksusega.

4. Lõigake läbi üle poole puu läbimõõdust ja asetage siis lõikeavasse langetuskiil.

## Puu langetamine

1. Eemaldage puult praht, kivid, lahtine puukoor, naelad, klambrid ja traat.
2. Make a notch 1/3 the diameter of the tree, perpendicular to the direction of the fall. (Joon. 52 )
3. Lõigake alumine horisontaalne sälgu osa. This will prevent either the saw chain or the guide bar from being pinched when the second notch is made.
4. Make the felling back cut (X) at least 50 mm (2 in) higher than the horizontal notching cut. Keep the felling back cut parallel to the horizontal notching cut so enough wood is left to act as a hinge. Ärge lõigake liigendit. The hinge wood keeps the tree from twisting and falling in the wrong direction. (Joon. 53 ) (Joon. 54 )
5. Langetava sisselõike ja liigendi vahelise kauguse vähenemisel hakkab puu langema. Veenduge, et

puu saaks langeda õiges suunas ega vajuks tagasi ja põhjustaks saeketi kinnikiilumise. Selle vältimiseks lõpetage saagimine enne langetava sisselõike lõpuleviimist. Use wedges of wood, plastic or aluminium to open the cut and let the tree fall along the necessary line of fall. (Joon. 55 )

6. When the tree begins to fall, remove the product from the cut, stop the engine, put the product down, then use the retreat path planned. Be alert for overhead limbs falling and watch your footing. (Joon. 56 )

## Puu laasimine

1. Suuremad oksad aitavad tüve maapinnast kõrgemal hoida.
2. Remove small limbs in one cut. (Joon. 57 )
3. Pingul oksad lõigake alt üles, et saekett ja juhtplaat kinni ei kiiluks.

## Palgi järkamine



**ETTEVAATUST:** Ärge laske saeketil puutuda maad.

- If the log is supported along its entire length, cut from the top of the log (known as overbucking). (Joon. 58 )
- If the log is supported on one end, cut 1/3 the diameter from the underside of the log (known as underbucking). (Joon. 59 )
- If the log is supported on both ends, cut 1/3 the diameter from the top. Complete the cut by underbucking the lower 2/3 of the log to meet the first cut. (Joon. 60 )
- If you buck a log on a slope, always stand on the uphill side of the log. Cut through the log while you maintain complete control of the product, then release the cutting pressure near the end of the cut while firmly gripping the rear handle and front handle. (Joon. 61 )

## HOOLDUS



**HOIATUS:** Enne toote puhastamist, remontimist või hooldamist lugege ohutuspeatükki ja tehke selles olev teave endale arusaadavaks.

## Hoolduskeem

Järgige kindlasti hoolduskeemi. Intervallide arvutamisel on aluseks võetud toote igapäevane kasutamine. Kui toodet ei kasutata igapäevaselt, on intervallid erinevad. Tehke ainult neid hooldustöid, mida on selles kasutusjuhendis kirjeldatud. Hooldustööde osas, mida

selles kasutusjuhendis kirjeldatud ei ole, pöörduge volitatud hoolduskeskuse poole.

## Igapäevane hooldus

- Puhastage välispinnad.
- Make sure that the lockout and trigger work correctly.
- Clean the chain brake and make sure that it works correctly. (Joon. 62 )
- Veenduge, et ketipüüdjal poleks kahjustusi. Replace the chain catcher if it is damaged.



(Joon. 63 )

- Turn the guide bar daily for more even wear.
- Make sure that the lubrication hole in the guide bar is not clogged.

(Joon. 64 )

- Clean the guide bar groove.

(Joon. 65 )

- Veenduge, et juhtplaat ja saekett saaksid piisavalt õli.
- Kontrollige, kas saeketi
  - neetides või lülides on silmaga nähtavaid pragusid;
  - for abnormally worn rivets and links.
  - pingsus on õige.

Vajaduse korral asendage saekett.

- Teritage saeketti. Vt jaotist *Saeketi teritamine lk 138*.
- Examine the drive sprocket for excessive wear and replace if necessary.

(Joon. 66 )

- Clean the air intake of the starter unit.
- Veenduge, et mutrid ja kruvid oleksid pingutatud.
- Veenduge, et seisamislüüti töötaks korralikult.
- Kontrollige, et mootorist, paagist ja kütusetorudest ei lekiks kütust.
- Make sure that the saw chain does not rotate when the engine is idling.

## Iganädalane hooldus

- Veenduge, et jahutussüsteem töötaks õigesti.
- Make sure that the starter, starter cord and return spring work correctly.
- Make sure that the vibration damping elements are not damaged.

(Joon. 67 )

- File off any burrs from the edges of the guide bar.
- Clean or replace the spark arrester screen on the muffler.

(Joon. 68 )

- Puhastage karburaatori ja selle ümbruse välispinnad.
- Puhastage õhufilter. Install a new air filter if it is damaged or too dirty to be fully cleaned. Lisateavet leiate jaotisest *Õhufiltri puhastamine lk 138*.

## Igakuine hooldus

- Kontrollige, kas ketipiduri lintpidur pole kulunud. Replace when the brake band thickness is less than 0.6 mm (0.024 in) at the most worn point.

(Joon. 69 )

- Examine the clutch center, clutch drum and clutch spring for wear.
- Puhastage süüteküünl. Make sure that the electrode gap is correct.

(Joon. 70 )

- Puhastage karburaatori ja selle ümbruse välispinnad.
- Kontrollige kütusefiltrit ja -voolikut. Vajaduse korral vahetage see välja.
- Tühjendage kütusepaak.
- Tühjendage õlipaak.
- Kontrollige kõiki juhtmeid ja ühendusi.

## Iga-aastane hooldus

- Kontrollige süüteküünalt.
- Puhastage karburaatori ja selle ümbruse välispinnad.
- Puhastage jahutussüsteemi.
- Kontrollige sädemepüüdurit.
- Kontrollige kütusefiltrit.
- Veenduge, et kütusevoolikul poleks kahjustusi.
- Kontrollige kõiki juhtmeid ja ühendusi.

## Hootine hooldamine

- Pärast 50 töötundi laske summuti volitatud hoolduskeskuses parandada või asendada.
- Hooldage süüteküünalt, kui
  - mootori võimsus on väike;
  - mootorit on keeruline käivitada;
  - mootor ei tööta tühikäigul õigesti.
- Kontrollige igal tankimisel keti määratust. Vt jaotist *Saeketi määratuse kontrollimine lk 138*.

## Tühikäigu pöörete arvu reguleerimine

Enne tühikäigu pöörete arvu reguleerimist veenduge, et õhufilter oleks puhas ja õhufiltri kate asuks oma kohal.

1. Keerake tühikäigu reguleerimiskruvi, mis kannab tähist „T“, päripäeva, kuni saekett hakkab pöörlema.
2. Keerake tühikäigu reguleerimiskruvi, mis kannab tähist „T“, vastupäeva, kuni saekett peatub.
3. Tühikäigu pöörete arv peab jääma allapoole saeketi pöörlema hakkamise kiirusest. Tühikäigu pöörete arv on õige siis, kui mootor töötab igas asendis ühtlaselt.

## To clean the spark arrester screen

1. Puhastage sädemepüüdur terasharjaga.

## Süüteküünla hooldamine



**ETTEVAATUST:** Kasutage soovitatud tüüpi süüteküünalt. Veenduge, et asendustoodete oleks sama mis tootja tarnitud osa. Vale süüteküünl võib toodet kahjustada.

1. Kui toote käivitamine või töötamine on raskendatud, kontrollige, kas süüteküünlal leidub võõraineid. Süüteküünla elektroodidele võõrainete kogunemise ohu vähendamiseks:

- a) veenduge, et tühikäigu pöörete arv oleks õigesti reguleeritud;
  - b) veenduge, et kütusesegu oleks õige;
  - c) veenduge, et õhufilter oleks puhas.
2. Puhastage määratud süüteküüna. Make sure that the electrode gap is correct. (Joon. 71 )
3. Vajaduse korral asendage süüteküüna.

## Õhufiltri puhastamine

1. Eemaldage õhufiltri kate ja õhufilter.
2. Puhastage õhufilter sooja seebiveega. Enne tagasi paigaldamist veenduge, et õhufilter oleks kuiv.
3. Kui õhufilter on puhastamiseks liiga määratud, asendage see. Kahjustatud õhufilter tuleb alati välja vahetada.

## Saeketi teritamine

### Lõikur

The cutting part of the saw chain is called the cutter and consists of a cutting tooth (A) and the depth gauge (B). The cutters cutting depth is determined by the difference in height between the two, the depth gauge setting (C).

(Joon. 72 )

When you sharpen a cutting tooth there are four important factors to remember:

- Filing angle.

(Joon. 73 )

- Cutting angle.

(Joon. 74 )

- File position.

(Joon. 75 )

- Round file diameter.

(Joon. 76 )

### Lõikehammaste teritamine

Use a round file and a file gauge to sharpen the cutting teeth. *Saeketi viilimine ja saeketi kombinatsioonid lk 141*

1. Make sure that the saw chain is correctly tensioned. Lõtva ketti on raske õigesti teritada.
2. File all teeth on one side first. File the cutting teeth from the inside face and reduce the pressure on the return stroke.
3. Turn the product over and file the teeth on the other side.
4. File all the teeth to the same length. When the length of the cutting teeth is reduced to 4 mm (5/32") the saw chain is worn out and must be replaced. (Joon. 77 )

## Lõikesügavuse piiriku reguleerimine

Enne lõikesügavuse piiriku reguleerimist teritage lõikehambad. Vt jaotist *Lõikehammaste teritamine lk 138*. Saehamba (A) teritamisel väheneb lõikesügavuse piiriku seadeväärtus (C). Parima lõikevõime saavutamiseks peab kontsa õigele kõrgusele viilima. Keti jaoks õige lõikesügavuse leidmiseks lugege jaotist *Saeketi viilimine ja saeketi kombinatsioonid lk 141*. (Joon. 78 ) (Joon. 79 )

---

**Märkus:** Seda soovitus saab rakendada siis, kui saehambad pole liiga madalaks viilitud.

---

Lõikesügavuse piirikut saate reguleerida lameviili ja teritusmalli abil.

1. Pange teritusmall saeketile. Teritusmalli kasutusjuhised on ka pakendil.
2. Teritusmallist välja ulatuva kontsa viilimiseks kasutage lameviili. Sügavusmoot on õige siis, kui teil viili lükkamisel üle teritusmalli ei teki takistust.

## Saeketi pingutamine

---

**Märkus:** Check the tension of a new saw chain frequently during its running-in period.

---

1. Keerake lahti juhtplaadi kinnitusmutrid, mis hoiavad paigal veotähiku katet. Kasutage lehtsilmusvõtit. (Joon. 80 )
2. Pingutage juhtplaadi kinnitusmutreid käsitsi nii kõvasti, kui võimalik.
3. Kergitage juhtplaadi otsa ja tõmmake saeketti, pingutades keti pingutuskruvi. Kasutage lehtsilmusvõtit. Tighten the saw chain until it does not hang down from the bottom of the guide bar. (Joon. 81 )
4. Tighten the guide bar nuts using the combination wrench and lift the tip of the guide bar at the same time. (Joon. 82 )
5. Make sure that you can pull the saw chain round freely by hand and that it does not sag. (Joon. 83 )

## Lõikeosa määrimine

### Saeketi määrituse kontrollimine

Kontrollige igal tankimisel saeketi määritust.

1. Käivitage toode ja laske sel töötada 3/4 kiirusel. Suunake juhtplaadi ots umbes 20 cm kaugusele mõnest heledast pinnast.
2. Pärast minutist töötamist on heledal pinnal õlitriip.
3. Kui õlitriipu pärast ühte minutit ei teki, puhastage juhtplaadi õlikanalit. Puhastage juhtplaadi servas olev soon. Veenduge, et juhtplaadi nina veotähik pöörleks vabalt ja et määrideava poleks ummistunud. Clean and lubricate the tip sprocket.

4. Käivitage toode ja laske sel töötada 3/4 kiirusel. Suunake juhtplaadi ots umbes 20 cm kaugusele mõnest heledast pinnast.
5. Pärast minutist töötamist on heledal pinnal õlitriip.
6. Kui õlitriipu pärast ühte minutit ei teki, pöörduge volitatud edasimüüja poole.

## TRANSPORTIMINE

- Enne transportimist tühjendage kütuse- ja ketiõlipaak. Kõrvaldage kasutatud vedelikud kasutuselt õigesti.
- Asetage juhtplaadi kate transportimise ajal lõikeosale. Nii saavad inimesed vältida tahtmatut kokkupuudet terava saeketiga. Mittetöötava terava saeketi puudutamine võib inimestele kehavigastusi põhjustada.
- Enne transportimist eemaldage süüteküünlalt süüteküünla kate ja rakendage ketipidur.
- Veenduge, et toode oleks transportimise ajal paigal.

## HOIUSTAMINE

- Kui tooted ei kasutata, hoiustage seda ohutus kohas. Toote lekked ja aurud võivad kokku puutuda elektriseadmetest, elektriniidukitest, releedest, lülitistest, boileritest jms pärit sädemete ja leekidega.
- Hoidke kütust selleks ettenähtud mahutis.
- Toote pikemaajalisel hoiustamisel tühjendage kütuse- ja ketiõlipaak. Kõrvaldage kasutatud vedelikud kasutuselt õigesti.
- Hoiustamise ajaks asetage juhtplaadile juhtplaadi kate. Nii saavad inimesed vältida tahtmatut kokkupuudet terava saeketiga. Mittetöötava terava saeketi puudutamine võib inimestele raskeid kehavigastusi põhjustada.
- Enne hoiustamist eemaldage süüteküünlalt süüteküünla kate ja rakendage ketipidur.

## TEHNILISED ANDMED

	Ühik	120 Mark II (P02138HV)
<b>Mootori mudel</b>		
Silindri maht	cm <sup>3</sup>	38
Süüteküünal		Champion RCJ7Y
Elektroodi vahe	mm (tolli)	0,5 (0,02)
Kütusepaagi maht	cm <sup>3</sup>	300
Tühikäigu pöörete arv	min <sup>-1</sup>	2800–3200
Väljundvõimsus 9000 min <sup>-1</sup> juures	kW	1,4
Heite püsimisaeg	H	50
<b>Müra- ja vibratsioonandmed</b>		
Ekvivalentsed vibratsioonitasemed, a <sub>hveq</sub> esikäepide <sup>41</sup>	m/s <sup>2</sup>	4,5
Ekvivalentsed vibratsioonitasemed, a <sub>hveq</sub> tagakäepide <sup>42</sup>	m/s <sup>2</sup>	6,0
Helivõimsuse tase, garanteeritud (L <sub>WA</sub> ) <sup>43</sup>	dB (A)	116

<sup>41</sup> ISO 22867 järgi arvutatakse ekvivalentne vibratsioonitase vibratsioonitasemete kaalutud dünaamilise energia summana eri töötingimustel. Ekvivalentse vibratsioonitase kohta toodud andmete tüüpiline statistiline dispersioon (standardhälve) on 1 m/s<sup>2</sup>.

<sup>42</sup> ISO 22867 järgi arvutatakse ekvivalentne vibratsioonitase vibratsioonitasemete kaalutud dünaamilise energia summana eri töötingimustel. Ekvivalentse vibratsioonitase kohta toodud andmete tüüpiline statistiline dispersioon (standardhälve) on 1 m/s<sup>2</sup>.

<sup>43</sup> Mürasõnade ümbritsevasse keskkonda, mõõdetud helivõimsuse tasemenähtena (L<sub>WA</sub>).

	Ühik	120 Mark II (P02138HV)
Helivõimsuse tase, mõõdetud <sup>44</sup>	dB (A)	110
Helirõhu müratase seadme kasutaja kõrva juures <sup>45</sup>	dB (A)	95
<b>Toote mõõtmised</b>		
Kaal (v.a löikeosa)	kg	4,9
Õlipaagi maht	cm <sup>3</sup>	200
<b>Kütuse-/määrimissüsteem</b>		
Õlipumba töömaht 9000 min <sup>-1</sup> juures	ml/min	7
Õlipaagi maht	cm <sup>3</sup>	200
Õlipumba tüüp		Automaatne
<b>Saekett ja juhtplaat</b>		
Juhtplaadi standardpikkus	cm (tolli)	35–40 (14–16)
Soovitav juhtplaadi pikkus	cm (tolli)	35–45 (14–18)
Kasutatav juhtplaadi pikkus	cm (tolli)	34-39 (13.5 -15.5)
Saeketi suurim kiirus	m/s	22,3
Saeketi samm	mm (tolli)	8,3 (0.325)
		9,52 (3/8)
Veolülide paksus (jämedus)	mm (tolli)	1,3 (0,05)
Veotähiku tüüp		Veotähik
Veotähik hammaste arv		6 (Veotähiku 3/8)
		7 (Veotähiku 0,325)

---

## ACCESSORIES (Lisavarustus)

---

### Juhtplaadi ja saeketi kombinatsioonid

Allpool toodud lõikeseadmed on toote jaoks heaks kiidetud.

<sup>44</sup> Müraseme ümbritsevasse keskkonda, mõõdetud helivõimsuse tasemena ( $L_{WA}$ ).

<sup>45</sup> Helirõhu mürataseme ekvivalent arvutatakse erinevate helirõhutasemete kaalutud dünaamilise energia summana erinevates töötingimustes. Helirõhutaseme ekvivalendi statistilise tüüplevi standardhälve on 1 dB(A).

Juhtplaat				Saekett	
Pikkus, cm (tollid)	Samm, mm (tollid)	Tõrjusmall, mm (tollid)	Maksimaalne tähiku hammaste arv.	Tüüp	Veolülide arv
33 (13)	8,25 (0 3/25)	1,3 (0,050)	10T	Husqvarna H30	56
38 (15)	8,25 (0,325)				64
35 (14)	9,52 (3/8)		7T	Husqvarna H37	52
40 (16)	9,52 (3/8)				56
45 (18)	9,52 (3/8)				62

## Saeketi viilimine ja saeketi kombinatsioonid

Saekett					
Keti tüüp	Ümarvilli mõõt	Küljplaadi nurk	Ülemise plaadi nurk	Viilhooldiku nurk	Lõikesügavuse piiriku seadeväärtus
H30	3/16 tolli / 4,8 mm	60°	30°	10°	0,025 tolli / 0,65 mm
H37	5/32 tolli / 4,0 mm	60°	30°	0°	0,025 tolli / 0,65 mm

## EL-I VASTAVUSDEKLARATSIOONI SISU

Meie, Husqvarna AB, SE 561 82 Huskvarna, ROOTSI, deklareerime ainuvastutusel, et kirjeldatud toode:

Kirjeldus	Bensiinimootoriga kettisaag
Kaubamärk	Husqvarna
Platvorm/tüüp/mudel	Platvorm P02138HV, esindab mudelit 120 Mark II
Partii	Seerianumber alates 2018. aastast

vastab täielikult järgmistele EÜ direktiividele ja eeskirjadele:

Direktiiv/eeskiri	Kirjeldus
2006/42/EÜ	„masinadirektiiv“
2014/30/EL	„elektromagnetilise ühilduvuse direktiiv“

Direktiiv/eeskiri	Kirjeldus
2000/14/EÜ	„välitimustes kasutatavate seadmete müra direktiiv“

Kohalduvad järgmised ühtlustatud standardid ja/või tehnilised spetsifikatsioonid: EN ISO 12100, EN ISO 11681-1, CISPR 12, ISO 14982

Vastavalt direktiivi 2000/14/EÜ lisale V on deklareeritud helitaseme väärtused toodud tehniliste andmete jaotises ja allkirjastatud EÜ vastavusdeklaratsioonis.

TÜV Rheinland LGA Products GmbH, Tillystraße 2 - 90431 Nürnberg, Saksamaa, teavitatud asutus masinate puhul (teavitatud 0197 alusel), on teinud EÜ tüübikontrolli vastavalt masinadirektiivi (2006/42/EÜ) artikli 12 punktile 3b.

Allkirjastatud vastavusdeklaratsioonil toodud tüübikontrolli sertifikaat, mis vastab lisale IX, kehtib kõikidele tootel viidatud tootmiskohtadele ja päritoluriikidele.

Kettsaag on identne EÜ tüübikontrolli läbinud seadmega.

---

## Sisältö

---

JOHDANTO.....	143	KULJETTAMINEN.....	153
TURVALLISUUS.....	144	SÄILYTYS.....	153
ASENNUS.....	147	TEKNISET TIEDOT.....	153
KÄYTTÖ.....	148	LISÄVARUSTEET.....	154
KUNNOSSAPITO.....	150	EU:N VAATIMUSTENMUKAISUUSVAKUUTUS.....	155

---

## JOHDANTO

---

### Käyttöohjekirja

Tämän käyttöohjekirjan alkuperäiskieli on englanti. Muunkieliset käyttöohjekirjat ovat käännöksiä englannista.

### Yleiskatsaus

(Kuva 1 )

1. Tuote- ja sarjanumerokilpi
2. Liipaisimen varmistin
3. Etukahva
4. Sylinterin kotelo
5. Takapotkusuojuksella varustettu ketjujarru
6. Äänenvaimennin
7. Kuorituki
8. Terälevyn kärkipyörä
9. Rystyssuojus
10. Liipaisin
11. Kärkipyörän suojus
12. Ketjusieppo
13. Terälevy
14. Teräketju
15. Käynnistyskahva
16. Ketjuöljysäiliö
17. Käynnistysmoottori
18. Polttoainesäiliö
19. Rikastimen ohjain
20. Takakahva
21. Pysäytin
22. Joutokäynnin säätöruuvi
23. Polttoainepumppu
24. Huomio- ja varoitustarra
25. Kytinkotelo
26. Terälevyn suojus
27. Yhdistelmätyökalu
28. Kaksitahtiöljy
29. Käyttöohje (EPA)

### Laitteen symbolit

(Kuva 2 ) Varoitus

(Kuva 3 ) Lue tämä käyttöohjekirja.

(Kuva 4 ) Käytä hyväksytyä kypärää, kuulonsuojaimia ja silmäsuojaimia.

(Kuva 5 ) Käytä hyväksytyjä suojakäsineitä.

(Kuva 6 ) Laite täyttää voimassa olevien EY-direktiivien vaatimukset.

(Kuva 7 ) Äänitehotaso

(Kuva 8 ) Ketjujarru, ei kytketty (vasen). Ketjujarru, kytketty (oikea).

(Kuva 9 ) Rikastimen ohjain

(Kuva 10 ) Polttoainepumppu

(Kuva 11 ) Polttoaineen lisääminen

(Kuva 12 ) Teräketjuöljyn täyttö

(Kuva 13 ) Tämä laite täyttää voimassa olevien EAC-direktiivien vaatimukset

(Kuva 14 ) Tämä laite täyttää voimassa olevien Ukrainan direktiivien vaatimukset

(Kuva 15 ) Äänitaso

(Kuva 16 ) Pidä laitteesta tukevasti kiinni kummallakin kädellä

(Kuva 17 ) Älä käytä laitetta yhdellä kädellä

(Kuva 18 ) Varo osumasta terälevyn kärkeen

(Kuva 19 ) Varo takapotkua

(Kuva 20 ) Tämä laite täyttää voimassa olevien Australian ja Uuden-Seelannin sähkömagneettista yhteensopivuutta koskevien direktiivien vaatimukset.

**Huomautus:** Muita laitteen symboleita/tarroja tarvitaan muilla markkina-alueilla ilmaisemaan sertifiointivaatimuksia.

## Tuotevastuu

Tuotevastuulain mukaisesti emme ole vastuussa tuotteen aiheuttamasta vauriosta, jos

- tuote on korjattu virheellisesti
- tuotteen korjaamiseen on käytetty muita kuin valmistajan omia tai sen hyväksymiä osia
- tuotteessa on muu kuin valmistajan oma tai sen hyväksymä lisävaruste
- tuotetta ei ole korjattu valtuutetussa huoltopisteessä tai hyväksytyllä asiantuntijalla.

# TURVALLISUUS

## Turvallisuusmääritelmät

Oheiset määritelmät kertovat huomiosanojen vakavuustason.



**VAROITUS:** Henkilövahinko.



**HUOMAUTUS:** Laitevaurio.

**Huomautus:** Nämä tiedot helpottavat laitteen käyttöä.

## Yleiset turvaohjeet

- Käytä laitetta oikein. Virheellinen käyttö voi aiheuttaa tapaturman tai kuoleman. Käytä laitetta vain tässä käyttöohjekirjassa esitettyihin tehtäviin. Älä käytä laitetta muihin tehtäviin.
- Lue ja sisäistä tämän käyttöoppaan sisältämät ohjeet ja noudata niitä. Noudata turvallisuussymboleita ja turvaohjeita. Jos käyttäjä ei noudata ohjeita ja symboleita, seurauksena voi olla vamma, vaurio tai kuolema.
- Älä hävitä tätä käyttöohjekirjaa. Noudata laitteen asennusta, käyttöä ja kunnossapitoa koskevia ohjeita. Senna lisälaitteet ja lisävarusteet oikein ohjeiden mukaisesti. Käytä vain hyväksytyjä lisälaitteita ja lisävarusteita.
- Älä käytä vaurioitunutta laitetta. Noudata huoltokaaviota. Tee vain sellaisia huoltotyöitä, joita koskevat ohjeet löytyvät tästä käyttöohjekirjasta. Valtuutetun huoltopisteen on tehtävä kaikki muut huoltotyöt.
- Tämä käyttöohjekirja ei voi sisältää kaikkia laitteen käyttöön liittyviä tilanteita. Ole varovainen ja käytä tervettä järkeä. Älä käytä laitetta tai huolla sitä, jos et ole varma tilanteesta. Kysy ohjeita laitteen asiantuntijalta, jälleenmyyjältä, huoltoliikkeestä tai valtuutetusta huoltopisteestä.
- Irrota sytytystulpan johto ennen laitteen asentamista, säilytykseen siirtämistä tai huoltoa.
- Älä käytä laitetta, jos sen alkuperäisiä ominaisuuksia on muutettu. Älä muuta edes osaa laitteesta ilman valmistajan lupaa. Käytä vain valmistajan

hyväksymiä osia. Virheellinen huolto voi aiheuttaa tapaturman tai kuoleman.

- Älä hengitä moottorin kaasuja. Moottorin pakokaasujen, ketjuöljysumun ja saranpurun pitkäaikainen hengittäminen voi olla terveydelle vaarallista.
- Älä käynnistä laitetta sisätiloissa tai lähellä herkästi syttyvää materiaalia. Pakokaasut ovat kuumia ja voivat sisältää kipinöitä, jotka voivat aiheuttaa tulipalon. Jos ilmanvirtaus ei ole riittävä, tukehtuminen tai hiilimonoksidin hengittäminen voi aiheuttaa vammaa tai kuoleman.
- Laite muodostaa käytön aikana sähkömagneettisen kentän. Sähkömagneettinen kenttä voi vaurioittaa lääketieteellisiä implantteja. Neuvottele lääkärin ja lääketieteellisen implantin valmistajan kanssa, ennen kuin käytät konetta.
- Älä anna lasten käyttää laitetta.
- Älä anna kenenkään sellaisen henkilön käyttää laitetta, joka ei tunne ohjeita.
- Valvo aina laitetta käytävää henkilöä, jonka fyysiset tai psyykkiset taidot ovat heikentyneet. Vastuullisen aikuisen on oltava aina paikalla.
- Lukitse laite paikkaan, johon lapset ja asiattomat henkilöt eivät pääse.
- Laite voi saada esineitä sinkoutumaan ja aiheuttaa näin vammoja. Noudata turvaohjeita tapaturmien tai kuoleman vaaran ehkäisemiseksi.
- Älä poistu laitteen luota, kun moottori on käynnissä. Sammuta moottori ja varmista, ettei ketju pyöri.
- Laitteen käyttäjä on vastuussa, jos tapahtuu onnettomuus.
- Varmista ennen laitteen käyttämistä, ettei osissa ole vaurioita.
- Noudata kansallisia ja paikallisia lakeja. Ne voivat estää laitteen käytön tai rajoittaa sitä joissakin olosuhteissa.

## Turvallisuusohjeet käyttöä varten

- Laitteen jatkuva tai säännöllinen käyttö voi aiheuttaa valkosormisuutta tai vastaavia tärinän aiheuttamia terveydellisiä ongelmia. Tutki käsiesi ja sormiesi kunto, jos käytät konetta jatkuvasti tai säännöllisesti. Käännä välittömästi lääkärin puoleen, jos käsissäsi tai sormissasi esiintyy värinmuutoksia, kipua, kihelmöintiä tai ne puuttuvat tai eivät toimi.



- Varmista ennen laitteen käyttämistä, että se on valmiiksi koottu.
- Laite voi saada esineitä sinkoutumaan, mikä voi vahingoittaa silmiä. Käytä aina hyväksytyjä silmäsuojaimia, kun käytät laitetta.
- Ole varovainen laitetta käyttäessäsi, sillä lapsi voi tulla laitteen lähelle huomaamattasi.
- Älä käytä laitetta, jos työskentelyalueella on ihmisiä. Sammuta laite, jos työskentelyalueelle tulee ihminen.

(Kuva 21)

- Varmista, että laite on aina hallinnassasi.
- Laitetta on käytettävä kahdella kädellä. Älä pitele laitetta yhdellä kädellä käytön aikana. Jos saaha käytetään yhdellä kädellä, seurauksena voi olla vakavia vammoja käyttäjälle, työntekijöille ja/tai sivullisille.
- Pidä kiinni etukahvasta vasemmalla kädellä ja takakahvasta oikealla kädellä. Pidä laitetta kehon oikealla puolella.

(Kuva 22)

- Älä käytä laitetta ollessasi väsynyt tai sairas tai jos olet alkoholin tai muiden huumausainien vaikutuksen alaisena.
- Älä käytä laitetta, jos et voi saada apua onnettomuuden sattuessa. Ennen käytön aloittamista kerro muille aikovasi käyttää laitetta.
- Älä käännä laitteen kanssa, ennen kuin olet varmistanut, ettei turva-alueella ole ihmisiä tai eläimiä.
- Poista kaikki ylimääräiset materiaalit työskentelyalueelta ennen aloittamista. Jos ketju osuu esineeseen, esine voi sinkoutua ja aiheuttaa vamman tai vaurion. Terälaitteen ympärille voi kiertyä ei-toivottua materiaalia, mikä voi aiheuttaa vaurion.
- Älä käytä laitetta huonolla säällä (kuten sumussa, sateessa, kovassa tuulessa, ukkosella tai muissa sääolosuhteissa). Huono sää voi aiheuttaa vaaratilanteita kuten liukastumisvaaran.
- Varmista, että pystyt liikkumaan vapaasti ja työskentelemään tukevassa asennossa.
- Varmista, ettei kaatua, kun käytät laitetta. Älä kallistu, kun käytät laitetta.
- Pidä laitetta aina molemmin käsin. Pidä kiinni etukahvasta vasemmalla kädellä ja takakahvasta oikealla kädellä. Pidä laitetta kehon oikealla puolella.
- Jos rikastinvipu on rikastusasennossa, kun moottori käynnistyy, ketju alkaa pyöriä.
- Sammuta moottori ennen laitteen siirtämistä.
- Älä laske laitetta maahan, kun moottori on käynnissä.
- Pysäytä moottori ennen kuin poistat ylimääräiset materiaalit laitteesta. Anna terän pysähtyä ennen leikkuujätteen poistamista.
- Älä käytä laitetta ylhäällä puussa. Laitteen käyttö ylhäällä puussa voi johtaa henkilövahinkoon.

(Kuva 23)

- Ketjujarrun on oltava kytkettynä, kun laite käynnistetään. Tämä vähentää riskiä osua teräketjuun käynnistyksen aikana.

(Kuva 24)

- Vältä takapotkua, liu'utusta, hypytystä ja pudotusta, joista voi seurata vakavia vahinkoja.
- Noudattamalla kaikkia turvallisuusohjeita vältät laitteen takapotkun ja muut voimat, jotka voisivat johtaa vakavaan vahinkoon.
- Säädä sahan teräketjun kireys säännöllisesti varmistaaksesi, että teräketju ei roiku. Roikkuva ketju voi irrota ja aiheuttaa vakavan tapaturman tai kuoleman.
- Älä kaada puita väärällä menetelmällä. Väärin kaatuva puu voi aiheuttaa henkilö- tai omaisuusvahinkoja tai osua sähköjohtoon.
- Käyttäjän on pysyttävä ylärinteen puolella, sillä puu pyörii todennäköisemmin alamäkeen kaadon jälkeen.

(Kuva 25)

- Suunnittele ja raivaa pakoreitti ennen sahauksen aloittamista. Pakoreitin on suuntauduttava takaviistoon oletetusta kaatumislinjasta.

(Kuva 26)

- Sammuta moottori aina ennen kuin siirät tuotetta puiden välissä.
- Varmista, että jalkasi ovat tukevasti maassa ja painosta jakautuu tasaisesti.

(Kuva 27)

- Pidä aina kunnollinen jalansija, ja käytä laitetta vain seistessäsi kiinteällä, turvallisella ja tasaisella pinnalla. Liukkaat tai epätasaiset pinnat, kuten tikkaat, voivat aiheuttaa tasapainon tai hallinnan menettämisen.

(Kuva 28)

## Takapotku, liu'utus, hypytys ja pudotus

Eri voimat saattavat vaikuttaa laitteen turvalliseen käyttöön.

- **Liu'utus** tarkoittaa terälevyn nopeaa liukumista tai liikkumista puun läpi.
- **Hypytys** tarkoittaa terälevyn toistuvaa nousemista pois leikkausurasta ja osumista siihen sen jälkeen uudestaan.
- **Pudotus** tarkoittaa laitteen putoamista maahan sahauksen jälkeen. Tämän seurauksena liikkuva terä saattaa osua kehoon tai muihin esineisiin ja aiheuttaa vamman tai vahingon.
- **Takapotku** tarkoittaa laitteen liikahtamista taakse, ylös tai äkillisesti eteen, kun terälevyn pääty osuu esineeseen. Takapotku voi myös aiheutua leikkausuran sulkeutumisesta, jolloin ketju puristuu uran sisälle. Jos laite osuu johonkin puun sisällä, käyttäjä saattaa menettää sen hallinnan.

(Kuva 29)

- **Pyörivä takapotku** voi tapahtua, kun liikkuva teräketju koskettaa esinettä terälevyn yläosassa. Kosketuksen seurauksena teräketju voi kaivautua esineeseen, jolloin se pysähtyy välittömästi. Tuloksena on erittäin nopea käänteinen liike, joka siirtää terälevyn ylös ja taaksepäin käyttäjää kohti.

(Kuva 30 )

(Kuva 31 )

- **Puristuva takapotku** voi esiintyä, jos teräketju pysähtyy äkillisesti kesken sahausksen. Leikkausura sulkeutuu ja puristaa liikkuvan teräketjun leikkausuran sisään terälevyn yläpäästä. Teräketjun äkillinen pysähtyminen aiheuttaa sahausvoiman kääntymisen, jolloin laite liikkuu vastakkaiseen suuntaan kuin teräketju. Laite liikkuu taaksepäin kohti käyttäjää.

(Kuva 32 )

- **Sisäänveto** voi tapahtua, kun teräketju pysähtyy äkillisesti, kun liikkuva terä koskettaa sahattavan puun sisällä olevaa esinettä terälevyn alaosassa. Äkillinen pysähtyminen vetää moottorisahaa eteenpäin ja käyttäjää poispäin, jolloin käyttäjä voi helposti menettää sahan hallinnan.

(Kuva 33 )

Varmista ennen tuotteen käyttämistä, että ymmärrät kaikki sahauskeen liittyvät voimat ja osat ehkäistä niitä.

## Takapotkun, liu'utuksen, hypytyksen ja pudotuksen välttäminen

- Pidä laitteesta tiukasti kiinni, kun moottori on käynnissä. Aseta oikea käsi takakahvalle ja vasen käsi etukahvalle. Kierrä peukalot ja sormet tiukasti kahvan ympärille. Älä päästä irti.
- Pidä laite hallinnassasi sahausken aikana ja puun kaatumisen jälkeen. Älä anna laitteen painon pudottaa laitetta sahausken jälkeen. (Kuva 34 )
- Varmista, että sahattavassa kohdassa ei ole esteitä. Älä anna terälevyn kärjen osua tukkiin, oksaan tai muuhun esteeseen kun käytät laitetta.
- Sahaa suurilla moottorin nopeuksilla.
- Älä kurota tai sahaa olkapäiden yläpuolelta. (Kuva 35 )
- Noudata valmistajan ohjeita teräketjun viilaukseen ja kunnossapitoon.
- Käytä ainoastaan valmistajan määrittämiä varaterälevyjä ja -ketjuja.
- Liian suuri korkeusero lisää teräketjun takapotkualttiutta.

## Henkilökohtainen suojavarustus

- Käytä aina oikeanlaista henkilökohtaista suojavarustusta, kun käytät laitetta. Henkilökohtainen suojavarustus ei poista tapaturmien vaaraa. Henkilökohtainen suojavarustus lieventää vammaa, jos sattuu onnettomuus.

- Vaatteiden pitää olla ihonmyötäisiä, mutta ne eivät saa vaikeuttaa liikkumista.
- Käytä hyväksytytä suojakypärää.
- Käytä aina hyväksytyttä kuulonsuojaimia, kun käytät laitetta. Pitkäkestoinen melu voi aiheuttaa kuulovaurioita.
- Käytä suojalaseja tai kasvoisiiiriä, jotta sinkoavien kappaleiden aiheuttamia vahinkoriski olisi pienempi. Laite voi singota suurella voimalla liikkeelle pieniä puunpaljoja ja vastaavan kaltaisia kappaleita. Ne voivat aiheuttaa vakavia vahinkoja, etenkin silmille.
- Käytä viiltosuojattuja käsineitä.
- Käytä viiltosuojattuja housuja.
- Käytä viiltosuojalla, teräksisellä varassuojalla ja luistamattomalla pohjalla varustettuja saappaita.
- Varmista, että lähistöllä on ensiapupakkaus.
- Äänenvaimentimesta, terälevyistä ja teräketjusta tai muista lähteistä saattaa syntyä kipinöitä. Pidä aina palosammutusvälineet ja lapio lähistöllä metsäpalojen ehkäisemiseksi.

## Laitteen turvalaitteet

- Muista huoltaa laite säännöllisesti.
  - Laitteen käyttöikä pitenee.
  - Onnettomuusvaara pienenee.

Anna valtuutetun jälleenmyyjän tai huoltopisteen tarkastaa laite säännöllisesti säätöjen tai korjausten varalta.

- Älä käytä laitetta, jos turvalaitteet ovat vaurioituneet. Jos laitteessa on vaurioita, ota yhteyttä valtuutettuun huoltopisteeseen.

## Pysäytyskytkin

Käynnistä moottori. Varmista, että moottori sammuu, kun siirrä pysäytyskytkimen pysäytysasentoon.

## Kaasuillpaisimen varmistimen tarkistaminen

1. Varmista, että liipaisin (B) on lukittu joutokäynnillä, kun vapautat liipaisimen varmistimen (A). (Kuva 36 )
2. Paina liipaisimen varmistinta (A) ja varmista, että se palautuu lähtöasentoonsa, kun se vapautetaan.
3. Paina liipaisinta (B) ja varmista, että se palautuu lähtöasentoonsa, kun se vapautetaan.
4. Käynnistä moottori ja käytä täyttä käyntinopeutta.
5. Vapauta liipaisin ja tarkista, pysäytykö teräketju.
6. Jos teräketju pyörii, kun moottori on joutokäyntitilassa, tarkista kaasuttimen joutokäyntiruuvi.

## Suojus

Suojus estää esineitä sinkoutumasta käyttäjää kohti. Lisäksi suojus estää teräketjua osumasta käyttäjään vahingossa.

- Varmista, että suojusta saa käyttää yhdessä laitteen kanssa.
- Älä käytä laitetta ilman suojusta.
- Varmista, ettei suojuus ole vaurioitunut. Vaihda suojuus uuteen, jos se on kulunut tai siinä on halkeamia.

## Polttoaineturvallisuus

- Älä käynnistä laitetta, jos sen päällä on polttoainetta tai moottoriöljyä. Poista ylimääräinen polttoaine tai öljy ja anna laitteen kuivua. Poista ylimääräinen polttoaine laitteesta.
- Jos olet läikyttänyt polttoainetta vaatteillesi, vaihda vaatteet heti.
- Varo, ettei iholle pääse polttoainetta, sillä se voi aiheuttaa vamman. Jos ihollesi joutuu polttoainetta, pese se pois vedellä ja saippualla.
- Älä käynnistä moottoria, jos läikytät öljyä tai polttoainetta laitteen päälle tai ylläsi.
- Älä käynnistä laitetta, jos moottori vuotaa. Tarkista moottori säännöllisesti vuotojen varalta.
- Käsittele polttoainetta varoen. Polttoaine on syttyvää ja kaasut ovat räjähdysherkkiä, mikä voi aiheuttaa tapaturman tai kuoleman.
- Älä hengitä polttoainehöyryjä, sillä ne voivat aiheuttaa vamman. Varmista, että ilmanvirtaus on riittävä.
- Älä tupakoi polttoaineen tai moottorin lähistöllä.
- Älä sijoita lämpimiä esineitä polttoaineen tai moottorin lähelle.
- Älä lisää polttoainetta, kun moottori on käynnissä.
- Varmista ennen polttoaineen lisäämistä, että moottori on jäähtynyt.
- Ennen kuin lisää polttoainetta, avaa polttoainesäiliön korkki hitaasti ja vapautaa paine varovasti.
- Älä lisää polttoainetta moottoriin sisätilassa. Jos ilmanvirtaus ei ole riittävä, tukehtuminen tai hiilimonoksidin hengittäminen voi aiheuttaa vamman tai kuoleman.
- Kiristä polttoainesäiliön korkki varovasti tulipalon vaaran vuoksi.
- Siirrä laite ennen käynnistämistä vähintään 3 metrin (10 ft) päähän paikasta, jossa täytit säiliön.
- Älä lisää säiliöön liikaa polttoainetta.
- Varmista, ettei polttoainetta pääse vuotamaan, kun liikutat laitetta tai polttoainekannua.
- Älä sijoita laitetta tai polttoainekannua paikkaan, jossa on avotulta, kipinöitä tai sytytysliekkejä. Varmista, ettei säilytyspaikassa ole avotulta.

- Käytä vain hyväksytyjä kannuja polttoaineen siirtämiseen tai säilyttämiseen.
- Tyhjennä polttoainesäiliö ennen pitkäaikaista säilytystä. Noudata paikallista polttoaineen hävittämistä koskevaa lakia.
- Puhdista laite ennen pitkäaikaista säilytystä.
- Irrota sytytystulpan johto ennen laitteen siirtämistä säilytykseen moottorin tahattoman käynnistymisen estämiseksi.

## Turvaohjeet huoltoa varten

- Irrota sytytystulppa aina ennen laitteen huoltoa paitsi kaasuttimen säädön yhteydessä.
- Teetä kaikki huollot valtuutetulla jälleenmyyjällä, paitsi toimenpiteet, jotka on mainittu kohdassa *KUNNOSSAPITO sivulla 150*.
- Varmista, että teräketju pysähtyy, kun kaasuliipaisin vapautetaan.
- Pidä kahvat kuivina ja puhtaina öljystä ja polttoaineesta.
- Pidä huoli, että korkit ja muut kiinnittimet on kunnolla kiristetty.
- Muiden kuin valmistajan hyväksymien varaosien käyttö tai turvalaitteiden poisto saattaa vaurioittaa tuotetta. Se saattaa myös aiheuttaa vammoja käyttäjälle ja sivullisille. Käytä ainoastaan suositeltuja lisävarusteita ja varaosia. Älä tee laitteeseen muunnoksia.
- Pidä teräketju terävänä ja puhtaana turvallisen ja tehokkaan käytön takaamiseksi.
- Noudata voitelua ja lisävarusteiden vaihtoa koskevia ohjeita.
- Tarkista laite viallisten osien varalta. Varmista, että vaurioitunut suojuus tai osa toimii oikein ennen kuin jatkat tuotteen käyttöä. Tutki laite rikkinaisten tai väärin kohdistettujen osien varalta sekä tarkista, että kaikki osat pääsevät liikkumaan vapaasti. Tutki laite kaikkien muiden sen toimintaan mahdollisesti vaikuttavien olosuhteiden osalta. Varmista, että laite on asennettu oikein. Suojuus tai muu vaurioitunut osa on korjattava tai vaihdettava valtuutetulla jälleenmyyjällä, ellei käyttöohjeessa toisin mainita.
- Kun laitetta ei käytetä, säilytä sitä kuivassa ja korkeassa tai lukitussa tilassa poissa lasten ulottuvilta.
- Laitteen kuljetuksen tai säilytyksen aikana käytä terälevyn suojusta tai koteloa laitetta liikutettaessa.
- Älä käytä jäteöljyä. Jäteöljy on vahingollista ja se voi vahingoittaa sinua, laitetta ja ympäristöä.

## ASENNUS



**VAROITUS:** Lue ja sisäistä turvallisuutta käsittelevä luku ennen laitteen asentamista.

### Terälevyn ja teräketjun asennus

1. Vapauta ketjujarru siirtämällä takapotkusuojus kohti etukahvaa.
2. Käännä nappi ulos avoimeen asentoon. (Kuva 37)

- Löysää terälevyn suojusta kääntämällä nuppi vastapäivään. (Kuva 38 )
- Poista nuppi (A) ja kärkipyörän suojuus. Irrota kuljetussuoja, jos se on asennettuna. (Kuva 39 )
- Aseta terälevy teräpulttien päälle. Ohjaa terälevy sen kaikkein takimmaiseen asentoon. Aseta ketju ketjupyörän päälle ja aseta se terälevyn ohjausuraan. Aloita terälevyn yläreunasta. (Kuva 40 )
- Varmista, että hammaslenkkien teräsarmat ovat eteenpäin terälevyn yläpuolella.
- Asenna kärkipyörän suojuus ja ohjaa ketjun kiristystappi terälevyn loveen. Varmista, että ketjun vetolenkit asettuvat oikein ketjupyörään. Tarkista myös, että teräketju on asetettu oikein terälevyn ohjausuraan. (Kuva 41 )
- Kiristä teräketjua kääntämällä pyörää alas (+). Kiristä teräketjua, kunnes se ei enää roiku terälevyn alapuolella. (Kuva 42 )
- Teräketju on oikein kiristetty, kun se ei enää roiku terälevyn alla vaan voit helposti pyöritellä sitä käsin.
- Nosta terälevyn kärkeä ja kiristä nuppi kääntämällä sitä myötäpäivään. (Kuva 43 )
  - Tarkasta ketjun kireys usein uuden teräketjun asentamisen jälkeen aina siihen saakka kunnes teräketju on ajettu sisään.

- Tarkasta ketjun kireys säännöllisesti. Ketjun asianmukainen kireys takaa hyvän sahaustehon ja pitkän käyttöiän.

## Ketjijarrun palautus

Jos kytkinkotelo poistetaan vahingossa, kun ketjijarrun on lukittuna, ketjijarrun lukitus on avattava, jotta kytkinkotelo voidaan koota ilman sitomista kytkinrumpuun.



**HUOMAUTUS:** Ketjijarrun jousi on kireä. Ole varovainen, kun palautat ketjijarrua.

**Huomautus:** Älä pitele jarruhinaa, kun yrittät palauttaa sen.

- Kohdista sauvatyökalan lovet siten, että ne sopivat jarrun pyörivään lenkkiin. (Kuva 44 )
- Palauta jarru pyörittämällä lenkkiä myötäpäivään, kunnes se pysähtyy. Etulenkki on alimmassa asennossaan, kun ketjijarrun lukitus on avattu. (Kuva 45 ) (Kuva 46 )

## KÄYTTÖ



**VAROITUS:** Lue ja sisäistä turvallisuutta käsittelevä luku ennen laitteen käyttämistä.

### Polttoaineen käyttö



**HUOMAUTUS:** Tässä laitteessa on kaksitahtimoottori. Käytä bensiinin ja kaksitahtimoottoriöljyn seosta. Varmista, että seoksessa on oikea määrä öljyä. Bensiinin ja öljyn väärä suhde voi aiheuttaa moottorivaurion.

### Polttoaineseoksen suhde

Polttoaineseoksen suhde bensiinin ja kaksitahtimoottoriöljyn välillä on 50:1 (2 %).

Bensiini	Kaksitahtimoottoriöljy
1 gallona (US)	77 ml (2,6 oz)
1 gallona (UK)	95 ml (3,2 oz)
5 l	100 ml (3,4 oz)

### Polttoaineseoksen valmistus

- Määritä bensiinin ja moottoriöljyn oikea suhde (sekoitussuhde 50:1) Tee polttoaineseosta vain 30 päiväksi kerrallaan. Katso *Polttoaineen käyttö sivulla 148*.
- Lisää puolet bensiinin määrästä puhtaaseen, ylityttösuojalla varustettuun polttoainekannuun.



**HUOMAUTUS:** Älä käytä bensiiniä, jonka etanolipitoisuus (E10) on yli 10 prosenttia. Se voi vaurioittaa laitetta.



**HUOMAUTUS:** Älä käytä bensiiniä, jonka oktaaniluku on pienempi kuin 90 RON (87 AKI). Se voi vaurioittaa laitetta.

**Huomautus:** Käytä bensiiniä, jonka oktaaniluku on suurempi, jos käytät laitetta usein jatkuvasti suurella moottorin käyntinopeudella.

- Lisää koko kaksitahtimoottoriöljymäärä polttoainekannuun.



**HUOMAUTUS:** Käytä aina laadukasta ilmajäähdytettyä kaksitahtimoottoriöljyä. Muut öljyt voivat vaurioittaa laitetta.

- Sekoita polttoaineseos ravistamalla.

5. Lisää loput bensiinistä polttoainekannuun.
6. Sekoita polttoaineseos ravistamalla.
7. Täytä laitteen polttoainesäiliö polttoaineseoksella.  
Katso *Polttoaineen käyttö sivulla 148.*

## Polttoainesäiliön täyttö

1. Varmista, että polttoaineseos on asianmukainen ja että se on ylitäyttösuojaalla varustetussa polttoainekannussa.
2. Jos kannussa on polttoainetta, poista se ja anna kannun kuivua.
3. Varmista, että polttoainesäiliön korkin alue on puhdas.
4. Poista polttoainesäiliön korkki.
5. Ravista polttoainekannua, ennen kuin lisäät polttoaineseosta polttoainesäiliöön.
6. Laita polttoainesäiliön korkki takaisin.

## Teräketjun voitelu

Laitteessa on automaattinen voitelujärjestelmä. Teräketjuöljysäiliö ja polttoainesäiliö on mitoitettu niin, että polttoaine loppuu ennen teräketjuöljyä. Tämä turvatoiminto edellyttää oikean teräketjuöljyn käyttöä ja ohjeiden noudattamista.

1. Käytä kasvipohjaista teräketjuöljyä tai tavallista ketjuöljyä.
2. Varmista, että teräketjuöljysäiliön korkin läheinen alue on puhdas.
3. Poista teräketjuöljysäiliön korkki.
4. Täytä teräketjuöljysäiliö suositellulla teräketjuöljyllä.
5. Laita teräketjuöljysäiliön korkki takaisin paikoilleen.

## Käynnistys ja sammutus

### Ennen moottorin käynnistämistä

- Tarkista laite puuttuvien, vaurioituneiden, löystyneiden tai kuluneiden osien varalta.
- Tarkista mutterit, ruuvit ja pultit.
- Tarkista ilmansuodatin.
- Tarkista liipaisimen varmistimen ja liipaisimen asianmukainen toiminta.
- Tarkista pysäyttimen asianmukainen toiminta.
- Tarkista laite polttoainevuotojen varalta.
- Tarkista teräketjun terävyys ja kireys.

### Kylmän moottorin käynnistys

1. Kytke ketjujarru siirtämällä takapotkusuojusta eteenpäin. (Kuva 47 )
2. Paina polttoainepumppua 6 kertaa. (Kuva 48 )
3. Siirrä rikastinvipu täysin suljettuun asentoon. (Kuva 49 )
4. Paina laitteen runkoa maata vasten vasemmalla kädellä. Vakauta moottorisaha asettamalla oikea jalka takakahvalle. Vedä käynnistysnarun kahvaa

hitaasti, kunnes tunnet vastuksen. Vedä sitten käynnistysnarun kahvaa voimakkaasti viisi kertaa. (Kuva 50 )

---

**Huomautus:** Älä vedä liipaisinta moottorin käynnistytksen aikana.

---

5. Siirrä rikastinvipu ei rikastusta -asentoon.
6. Vedä käynnistysnarun kahvasta, kunnes moottori käynnistyy. Odota 60 sekuntia käynnistymisen jälkeen, ennen kuin vedät liipaisinta.



**HUOMAUTUS:** Älä vedä käynnistysnarua, kun se on pysähtynyt. Älä irrota otetta käynnistysnarusta, kun se on täysin ulkona. Vapauta käynnistysnarua hitaasti. Noudata näitä ohjeita moottorivaurion välttämiseksi.

7. Vapauta ketjujarru vetämällä takapotkusuojus kohti etukahvaa.
8. Pidä kiinni takakahvasta oikealla kädellä ja etukahvasta vasemmalla kädellä.
9. Käytä laitetta.

### Lämpimän moottorin käynnistys

1. Kytke ketjujarru siirtämällä takapotkusuojusta eteenpäin.
2. Paina polttoainepumppua 6 kertaa.
3. Siirrä rikastinvipu täysin suljettuun asentoon.
4. Siirrä rikastinvipu ei rikastusta -asentoon.
5. Paina laitteen runkoa maata vasten vasemmalla kädellä. Vakauta moottorisaha asettamalla oikea jalka takakahvalle. Vedä käynnistysnarun kahvaa hitaasti, kunnes tunnet vastuksen. Vedä sitten käynnistysnarun kahvasta, kunnes moottori käynnistyy. (Kuva 51 )

---

**Huomautus:** Älä vedä liipaisinta moottorin käynnistytksen aikana.

---



**HUOMAUTUS:** Älä vedä käynnistysnarua, kun se on pysähtynyt. Älä irrota otetta käynnistysnarusta, kun se on täysin ulkona. Vapauta käynnistysnarua hitaasti. Noudata näitä ohjeita moottorivaurion välttämiseksi.

6. Vapauta ketjujarru vetämällä takapotkusuojus kohti etukahvaa.
7. Pidä kiinni takakahvasta oikealla kädellä ja etukahvasta vasemmalla kädellä.
8. Käytä laitetta.

### Moottorin käynnistäminen polttoaineen ollessa liian kuumaa

Jos laite ei käynnisty, polttoaine saattaa olla liian kuumaa.

**Huomautus:** Käytä aina uutta polttoainetta ja vähennä työskentelyaikaa lämpimällä säällä.

1. Aseta laite viileään paikkaan pois suorasta auringonvalosta.
2. Anna laitteen jäähtyä vähintään 20 minuutin ajan.
3. Paina polttoainepumppua jatkuvasti 10–15 sekunnin ajan.
4. Noudata kylmän moottorin käynnistysmenettelyä. Katso *Kylmän moottorin käynnistys sivulla 149.*

## Moottorin sammuttaminen

- Sammuta moottori painamalla pysäytintä.

**Huomautus:** Pysäytin palaa automaattisesti lähtöasentoonsa.

## Kuorituksen käyttö

Kuorituki ehkäisee takapotkuja ja pitää puun paikallaan sahauksen aikana. Kuorituki toimii tappina moottorirungon ja terälevyn välissä.

1. Aseta kuorituksen alaosa oikeaan pitopuun leveyteen.
2. Paina vasemmalla kädellä etukahvaa vasten, kun nostat oikealla kädellä takakahvaa.
3. Sahaa, kunnes saavutat oikean pitopuun leveyden.

**Huomautus:** Pitopuun on oltava tasapaksu.

4. Sahaa yli puolet halkaisijasta ja aseta kaatokiila sahauskohtaan.

## Puun kaataminen

1. Poista lika, kivet, irtokaarna, naulat, niitit ja langat puusta.
2. Sahaa puuhun lovi, joka on 1/3 puun halkaisijasta, kohtisuoraan kaatosuuntaan.(Kuva 52 )
3. Sahaa alempi vaakalovi. Tämä estää teräketjun tai terälevyn puristumisen toista lovea tehtäessä.
4. Tee kaatosahaus (X) vähintään 50 mm vaakaloven yläpuolelle. Tee kaatosahaus saman suuntaisesti kuin vaakalovi, jotta tarpeeksi puuta jää pitopuuksi.

Älä sahaa pitopuun läpi. Pitopuun ansiosta puu ei kääny eikä kaadu väärään suuntaan.(Kuva 53 ) (Kuva 54 )

5. Kun kaatosahaus osuu lähelle pitopuuta, puu alkaa kaatua. Varmista, että puu pääsee kaatumaan oikeaan suuntaan ja ettei se heilu taaksepäin tai purista teräketjua. Vältä tämä lopettamalla sahaus ennen kuin kaatosahaus on valmis. Käytä puu-, muovi- tai alumiinikaatokiiloja sahauskohdan avaamiseen ja anna puun kaatua haluttua kaatumislinjaa pitkin.(Kuva 55 )
6. Kun puu alkaa kaatua, poista laite sahauskohdasta, pysäytä moottori, aseta laite maahan ja lähde sitten pois suunniteltua perääntymistietä pitkin. Varo puusta putoavia oksia ja katso, mihin astut.(Kuva 56 )

## Puun karsinta

1. Käytä isompia oksia puun pitämiseen ylhäällä maasta.
2. Poista pienet oksat yhdellä leikkauksella.(Kuva 57 )
3. Leikkaa puuta ylhäällä pitelevät oksat alhaalta ylöspäin, jolloin teräketju tai terälevy ei jää puristuksiin.

## Tukin sahaaminen



**HUOMAUTUS:** Älä anna teräketjun koskettaa maata.

- Jos tukki on tuettu koko sen pituudelta, sahaa tukin yläpuolelta.(Kuva 58 )
- Jos tukki on tuettu vain toisesta päästä, sahaa 1/3 halkaisijan mitalta tukin alapuolelta.(Kuva 59 )
- Jos tukki on tuettu molemmista päistä, sahaa 1/3 halkaisijan mitalta tukin yläpuolelta. Viimeistelee sahaus sahaamalla tukin alta 2/3, kunnes sahauskohdat kohtaavat.(Kuva 60 )
- Jos sahaat rinteessä, seiso aina sahattavan puun yläpuolella. Pidä moottorisaha koko sahausajan täydessä hallinnassasi, paina sitten sahaa vähemmän leikkuun loppupuolella ja pidä tiukasti kiinni etu- ja takakahvoista.(Kuva 61 )

## KUNNOSSAPITO



**VAROITUS:** Lue ja sisäistä turvallisuutta käsittelevä luku ennen laitteen puhdistamista, korjaamista tai huoltamista.

## Huoltokaavio

Muista noudattaa huoltokaaviota. Välit on laskettu laitteen päivittäisen käytön perusteella. Ne ovat erilaiset, jos et käytä laitetta joka päivä. Tee vain tästä käyttöohjekirjasta löytyvät huoltotyöt. Ota yhteyttä

valtuutettuun huoltopisteeseen muiden, tästä käyttöohjekirjasta puuttuvien huoltotöiden osalta.

## Päivittäiset toimenpiteet

- Puhdista ulkopinnat.
- Varmista, että varmistin ja liipaisin toimivat oikein.
- Puhdista ketjujarru ja tarkasta, että se toimii oikein.

(Kuva 62 )

- Tarkista ketjusieppo vaurioiden varalta. Vaihda ketjusieppo, jos se on vaurioitunut.

(Kuva 63 )

- Käännä terälevy päivittäin, jotta se kuluu tasaisemmin.
- Varmista, että terälevyn voitelureikä ei ole tukossa.

(Kuva 64 )

- Puhdista terälevyn ohjausura.

(Kuva 65 )

- Varmista, että terälevy ja teräketju saavat tarpeeksi öljyä.
- Tarkista teräketjusta:
  - onko niiteissä ja lenkeissä säröjä.
  - ovatko niitit ja lenkit kuluneet epänormaalisti.
  - onko kireys oikea.

Vaihda teräketju tarvittaessa.

- Teroita teräketju. Katso *Teräketjun teroittaminen sivulla 152*.
- Tarkasta, ettei ketjupyörä ole epätavallisen kulunut, vaihda tarvittaessa.

(Kuva 66 )

- Puhdista käynnistinyksikön ilmanottoaukko.
- Varmista, että kaikki ruuvit ja mutterit on kiristetty.
- Tarkista, että pysäytin toimii.
- Tutki moottori, säiliö ja polttoaineen syöttöletkut polttoainevuotojen varalta.
- Varmista, että teräketju ei pyöri, kun moottori on joutokäynnillä.

## Viikoittaiset toimenpiteet

- Tarkista, että jäähdytysjärjestelmä toimii oikein.
- Varmista, että käynnistyslaite, käynnistysnaru ja palautusjousi toimivat oikein.
- Tarkista, etteivät tärinävaimentimet ole vioittuneet.

(Kuva 67 )

- Viilaa kierteet pois terälevyn sivuilta.
- Puhdista tai vaihda äänenvaimentimen kipinäverkko.

(Kuva 68 )

- Puhdista kaasuttimen ulkopinnat ja ympäristö.
- Puhdista ilmansuodatin. Jos ilmansuodatin on vahingoittunut tai liian likainen puhdistettavaksi, vaihda tilalle uusi. Katso lisäohjeita osiosta *Ilmansuodattimen puhdistaminen sivulla 152*.

## Kuukausittaiset toimenpiteet

- Tarkasta ketjujarrun jarruhinnan kuluminen. Vaihda, kun jarruhinnan paksuus on vähemmän kuin 0,6 mm (0,024 tuumaa) eniten kuluneessa kohdassa.

(Kuva 69 )

- Tarkasta kytkinneskiön, kytkinrummun ja kytkinjousen kuluminen.
- Puhdista syytystulppa. Tarkista, että kärkiväli on oikea.

(Kuva 70 )

- Puhdista kaasuttimen ulkopinnat ja ympäristö.
- Tarkasta polttoainesuodatin ja polttoaineletku. Vaihda tarvittaessa.
- Tyhjennä polttoainesäiliö.
- Tyhjennä öljysäiliö.
- Tarkista kaikki kaapelit ja liitännät.

## Vuosihuolto

- Tarkista sytytystulppa.
- Puhdista kaasuttimen ulkopinnat ja ympäristö.
- Puhdista jäähdytysjärjestelmä.
- Tarkista kipinäverkko.
- Tarkista polttoainesuodatin.
- Tarkista polttoaineletku vaurioiden varalta.
- Tarkista kaikki kaapelit ja liitännät.

## Ajoittainen huolto

- Anna valtuutetun huoltopisteen korjata tai vaihtaa äänenvaimennin 50 käyttötunnin jälkeen.
- Huolla sytytystulppa kun:
  - moottorin tehotasoa on alhainen.
  - moottorin käynnistäminen on hankalaa.
  - moottori ei toimi oikein joutokäyntinopeudella.
- Tarkasta teräketjuvoitelu aina tankkauksen yhteydessä. Katso *Teräketjuvoitelun tarkistaminen sivulla 152*.

## Joutokäyntinopeuden säätö

Varmista, että ilmansuodatin on puhdas ja ilmansuodattimen kansi kiinnitetty, ennen kuin säädät joutokäyntinopeutta.

1. Käännä joutokäyntiruuvia, jossa on merkintä "T", myötäpäivään, kunnes teräketju alkaa pyöriä.
2. Käännä joutokäyntiruuvia, jossa on merkintä "T", vastapäivään, kunnes teräketju pysähtyy.
3. Joutokäyntinopeuden on oltava pienempi kuin käyntinopeuden, jolla teräketju alkaa pyöriä. Joutokäyntinopeus on oikea, kun moottori käy tasaisesti kaikilla asennoilla.

## Kipinäverkon puhdistaminen

1. Puhdista kipinäverkko teräsharjalla.

## Sytytystulpan kunnossapito



**HUOMAUTUS:** Käytä suositeltua sytytystulppaa. Varmista, että uusi osa on samanlainen kuin valmistajan toimittama osa. Väärä sytytystulppa voi aiheuttaa laiteaurion.

1. Jos laitetta ei ole helppo käynnistää tai käyttää, tarkista onko sytytystulpassa ylimääräistä materiaalia. Ehkäise ylimääräisen materiaalin joutuminen sytytystulpan elektrodeihin seuraavasti:

- a) Varmista, että joutokäyntinopeus on säädetty oikein.
  - b) Varmista, että polttoaineseos on oikea.
  - c) Varmista, että ilmansuodatin on puhdas.
2. Puhdista sytytysluppa, jos se on likainen. Tarkista, että kärkiväli on oikea. (Kuva 71 )
3. Vaihda sytytysluppa tarvittaessa.

## Ilmansuodattimen puhdistaminen

1. Irrota ilmansuodattimen kansi ja ilmansuodatin.
2. Pese ilmansuodatin lämpimällä saippuavedellä. Varmista ennen asentamista, että ilmansuodatin on kuiva.
3. Vaihda ilmansuodatin, jos se on liian likainen, eikä sitä saa täysin puhtaaksi. Vaurioitunut ilmansuodatin on aina vaihdettava.

## Teräketjun teroittaminen

### Leikkain

Teräketjun leikkaavaa osaa kutsutaan hammaslenkiksi ja sen osat ovat leikkuuhammas (A) ja säätöhammas (B). Leikkaimen sahausvyvyys määräytyy näiden kahden korkeuden välisestä erosta, ja sitä kutsutaan syvyysensäätöasetukseksi (C).

(Kuva 72 )

Leikkuuhampaan teroituksessa on otettava huomioon neljä mittaa:

- Viilaukskulma.

(Kuva 73 )

- Leikkuukulma.

(Kuva 74 )

- Viilan asento.

(Kuva 75 )

- Pyöröviilan halkaisija.

(Kuva 76 )

### Leikkuuhampaiden teroitus

Käytä pyöröviilaa ja viilanojainta leikkuuhampaiden teroitukseen. Katso laitteessasi olevaan teräketjuun sopivan viilan ja viilanojaimen kokoa koskevat lisätiedot luvusta *Teräketjun teroittaminen ja teräketjun yhdistelmät sivulla 155*.

1. Varmista, että teräketju on kiristetty oikein. Riittämätön kiristys tekee teräketjusta epävakaan sivusuunnassa, mikä vaikeuttaa oikeaa teroitusta.
2. Viilaa kaikki hampaat ensin yhdeltä puolelta. Viilaa leikkuuhampaan sisäpuolelta ja kevennä otetta paluuvuodon aikana.
3. Käännä laite toisin päin ja viilaa hammas toiselta puolelta.

4. Viilaa kaikki hampaat yhtä pitkiksi. Kun kouruhampaan pituudesta on jäljellä enää 4 mm (5/32"), on teräketju loppuunkulunut ja se on vaihdettava. (Kuva 77 )

## Syvyysasetuksen muokkaaminen

Teroita leikkuuhampaat ennen kuin asetat syvyyden. Katso *Leikkuuhampaiden teroitus sivulla 152*. Kun leikkuuhammasta (A) teroitetaan, syvyysasetus (C) pienenee. Parhaimman leikkuutehon säilyttämiseksi säätöhammas on säädettävä alas niin, että saavutetaan suositeltu syvyysasetus. Katso luku *Teräketjun teroittaminen ja teräketjun yhdistelmät sivulla 155* teräsi oikean syvyysasetuksen määrittämiseksi. (Kuva 78 ) (Kuva 79 )

**Huomautus:** Tämä suositus edellyttää, ettei kouruhampaita ole viilattu poikkeuksellisen lyhyiksi.

Käytä syvyyden säätöön lattaviilaa ja syvyydensäätötyökälyä.

1. Aseta syvyydensäätötyökäly teräketjun päälle. Ohjeita viilasuojaimen käytöstä löytyy pakkauksesta.
2. Hio lattaviilalla pois liika materiaali säätöhampaan ylityöntyvistä osasta. Korkeusero on oikea, kun viilaa ohjaimen yli vedettäessä ei tunnu lainkaan vastusta.

## Teräketjun kiristäminen

**Huomautus:** Tarkista uuden teräketjun kireys usein sen sisäänajoajaksi aikana.

1. Avaa terälevyn mutterit, joilla kärkipyörän kansi on kiinnitetty paikalleen. Käytä yhdistelmäavainta. (Kuva 80 )
2. Kiristä terälevyn mutterit käsin niin tiukalle kuin voit.
3. Nosta terälevyn yläosaa ja pidennä teräketjua kiristämällä ketjun kiristysruuvia. Käytä yhdistelmäavainta. Kiristä teräketjua, kunnes se ei enää riipu löysällä terälevyn alapuolella. (Kuva 81 )
4. Kiristä terälevyn mutterit yhdistelmäavaimella ja nosta terälevyn korkeaa samaan aikaan. (Kuva 82 )
5. Varmista, että pystyt vetämään teräketjua helposti käsin eikä se roiku. (Kuva 83 )

## Terävarustuksen voitelu

### Teräketjuvoitelun tarkistaminen

Tarkasta teräketjuvoitelu aina tankkauksen yhteydessä.

1. Käynnistä laite ja anna sen käydä 3/4 nopeudella. Tähtää terälevyn kärki kohti vaaleaa pintaa ja pidä se noin 20 cm:n etäisyydellä.
2. Kun laitetta on käytetty minuutin ajan, vaalealle pinnalle ilmestyy öljyvana.



3. Jos et näe öljyvanaa minuutin jälkeen, puhdista terälevyn öljykanava. Puhdista terälevyn sivulla oleva ura. Varmista, että terälevyn kärkipyörä pyörii vapaasti ja että voitelureiässä ei ole tukoksia. Puhdista ja voitele kärkipyörä.
4. Käynnistä laite ja anna sen käydä 3/4 nopeudella. Tähtää levyn kärki kohti vaaleaa pintaa ja pidä se noin 20 cm:n etäisyydellä.
5. Kun laitetta on käytetty minuutin ajan, vaalealle pinnalle ilmestyy öljyvana.
6. Jos et näe öljyvanaa minuutin jälkeen, kysy neuvoa valtuutetulta jälleenmyyjältä.

## KULJETTAMINEN

- Tyhjennä polttoaine- ja ketjuöljysäiliö ennen kuljetusta. Hävitä käytetyt nesteet asianmukaisesti.
- Laita terälevyn suojus terälaitteen päälle kuljetuksen ajaksi. Näin kukaan ei pääse osumaan vahingossa terävään teräketjuun. Terävä teräketju voi aiheuttaa vamman osuessaan henkilöön myös silloin, kun kone ei ole käytössä.
- Poista sytytystulpan suojus sytytystulpasta ja kytke ketjujarru ennen kuljetusta.
- Varmista, ettei tuote pääse liikkumaan kuljetuksen aikana.

## SÄILYTYS

- Säilytä laitetta aina turvallisessa paikassa, kun sitä ei käytetä. Laitteesta tulevat vuodot ja höyry saattavat joutua kosketuksiin esimerkiksi kipinöiden, sähkölaitteesta tulevan avotulen, sähköruohonleikkureiden, releiden/kytkinten tai lämmityskattiloiden kanssa.
- Säilytä polttoainetta aina siihen erityisesti tarkoitettussa säiliössä.
- Tyhjennä polttoaine- ja ketjuöljysäiliöt, kun tuote varastoidaan pitkäksi ajaksi. Hävitä käytetyt nesteet asianmukaisesti.
- Kun laite varastoidaan, aseta terälevyn suojus terälevyyn. Näin kukaan ei pääse osumaan vahingossa terävään teräketjuun. Terävä teräketju voi aiheuttaa vakavan vamman osuessaan henkilöön myös silloin, kun kone ei ole käytössä.
- Poista sytytystulpan suojus sytytystulpasta ja kytke ketjujarru ennen varastointia.

## TEKNISET TIEDOT

	Yksikkö	120 Mark II (P02138HV)
<b>Moottorin tiedot</b>		
Sylinteritilavuus	cm <sup>3</sup>	38
Sytytystulppa		Champion RCJ7Y
Kärkiväli	mm (tuumaa)	0,5 (0,02)
Polttoainesäiliön tilavuus	cm <sup>3</sup>	300
Joutokäyntinopeus	min <sup>-1</sup>	2 800–3 200
Lähtöteho 9 000 min	kW	1,4
Päästöjen kestojakso	h	50
<b>Ääni- ja värinätiedot</b>		
Vastaavat värinätasot, a <sub>hveq</sub> etukahva <sup>46</sup>	m/s <sup>2</sup>	4,5

<sup>46</sup> Standardin ISO 22867 mukainen ekvivalentti värinätaso lasketaan värinätasojen aikapainotteisena energiasummana eri käyttöolosuhteissa. Ilmoitetuilla tiedoilla vastaavasta värinätasosta tyypillinen tilastollinen hajonta (vakiopoikkeama) on 1 m/s<sup>2</sup>.

	<b>Yksikkö</b>	<b>120 Mark II (P02138HV)</b>
Vastaavat tärinätasot, $a_{hveq}$ takakahva <sup>47</sup>	m/s <sup>2</sup>	6,0
Äänentehotaso, taattu ( $L_{WA}$ ) <sup>48</sup>	dB(A)	116
Äänentehotaso, mitattu <sup>49</sup>	dB(A)	110
Äänenpainetaso käyttäjän korvan tasalla <sup>50</sup>	dB(A)	95
<b>Tuotteen mitat</b>		
Paino (ilman terävarustusta)	kg	4,9
Öljysäiliön tilavuus	cm <sup>3</sup>	200
<b>Polttoaine-/voitelujärjestelmä</b>		
Öljysäiliön kapasiteetti 9 000 min	ml/min	7
Öljysäiliön tilavuus	cm <sup>3</sup>	200
Öljypumpun tyyppi		Automaattinen
<b>Teräketju ja terälevy</b>		
Terälevyn vakiopituus	cm (tuumaa)	35–40 (14–16)
Suosittelut terälevyn pituus	cm (tuumaa)	35–45 (14–18)
Tehokas leikkuupituus	cm (tuumaa)	34–39 (13,5–15,5)
Teräketjun maksiminopeus	m/s	22,3
Teräketjun jako	mm (tuumaa)	8,3 (0,325)
		9,52 (3/8)
Vetolenkkien paksuus (säätötyökalu)	mm (tuumaa)	1,3 (0,05)
Ketjupyörän tyyppi		Spur
Ketjupyörien hampaiden lukumäärä		6 (ketjupyörän 3/8)
		7 (ketjupyörän 0,325)

## LISÄVARUSTEET

### Terälevyn ja teräketjun yhdistelmät

Koneessa saa käyttää alla mainittuja terälaitteita.

<sup>47</sup> Standardin ISO 22867 mukainen ekvivalentti tärinätaso lasketaan tärinätasojen aikapainotteisena energiasummana eri käyttöolosuhteissa. Ilmoitetuilla tiedoilla vastaavasta tärinätasosta tyypillinen tilastollinen hajonta (vakiopoikkeama) on 1 m/s<sup>2</sup>.

<sup>48</sup> Melupäästöt ympäristöön äänentehona ( $L_{WA}$ ).

<sup>49</sup> Melupäästöt ympäristöön äänentehona ( $L_{WA}$ ).

<sup>50</sup> Vastaava äänenpainetaso lasketaan eri äänenpainetasojen aikapainotteisena energiasummana eri käyttöolosuhteissa. Tyypillinen ekvivalentin äänenpainetason tilastollinen hajonta on 1 dB(A):n vakiopoikkeama.

Terälevy				Teräketju	
Pituus, cm (tuumaa)	Keijun jako, mm (tuumaa)	Säättöhammas, mm (tuumaa)	Kärkipyörän hampaiden maks. lkm	Tyyppi	Pituus, vetolenkit (kpl)
33 (13)	8,25 (0,325)	1,3 (0,050)	10T	Husqvarna H30	56
38 (15)	8,25 (0,325)				64
35 (14)	9,52 (3/8)		7T	Husqvarna H37	52
40 (16)	9,52 (3/8)				56
45 (18)	9,52 (3/8)				62

## Teräketjun teroittaminen ja teräketjun yhdistelmät

Teräketju					
Teräketjun tyyppi	Pyörövilan koko	Sivulevyn kulma	Ylälevyn kulma	Villainohjaimen kulma	Syvyyden asetus
H30	3/16 tuumaa / 4,8 mm	60°	30°	10°	0,025 tuumaa / 0,65 mm
H37	5/32 tuumaa / 4,0 mm	60°	30°	0°	0,025 tuumaa / 0,65 mm

## EU:N VAATIMUSTENMUKAISUUSVAKUUTUS

Husqvarna AB, SE 561 82 Huskvarna, RUOTSI, vakuuttaa täten, että oheinen tuote:

Kuvaus	Bensiinikäyttöinen moottorisaha
Tuotemerkki	Husqvarna
Alusta / Tyyppi / Malli	Alusta P02138HV, edustaa mallia 120 Mark II
Erä	Sarjanumero 2018 alkaen

vastaa täysin seuraavien EU:n direktiivien ja asetusten vaatimuksia:

Direktiivi/asetus	Kuvaus
2006/42/EY	Konedirektiivi
2014/30/EU	EMC-direktiivi
2000/14/EY	Melupäästädirektiivi

Asiassa sovelletaan seuraavia yhdenmukaistettuja standardeja ja/tai teknisiä määräyksiä: EN ISO 12100, EN ISO 11681-1, CISPR 12, ISO 14982

Ilmoitetut meluarvot on annettu direktiivin 2000/14/EY liitteen V mukaisesti tämän käyttöohjekirjan teknisissä tiedoissa sekä allekirjoitetussa EY:n vaatimustenmukaisuusvakuutuksessa.

TÜV Rheinland LGA Products GmbH, Konedirektiivin ilmoitettu laitos (ilmoitettu 0197), Tillystraße 2 - 90431 Nürnberg, Saksa, on suorittanut EY-tyyppitarkastuksen direktiivin 2006/42/EY artiklan 12, kohdan 3b mukaisesti.

Allekirjoitetussa vaatimustenmukaisuusvakuutuksessa ilmoitettu liitteen IX mukainen tyyppitarkastusertifikaatti pätee kaikkiin valmistuspaikkoihin ja -mahin tuotteessa ilmoitettujen tietojen mukaisesti.

Kyseinen moottorisaha vastaa EY-tyyppitarkastettua sahaa.

---

## Sommaire

---

INTRODUCTION.....	156	TRANSPORT.....	167
SÉCURITÉ.....	157	ENTREPOSAGE.....	167
MONTAGE.....	161	CARACTÉRISTIQUES TECHNIQUES.....	168
FONCTIONNEMENT.....	162	ACCESSOIRES.....	169
ENTRETIEN.....	164	CONTENU DE LA DÉCLARATION DE CONFORMITÉ DE LA CE.....	170

---

## INTRODUCTION

---

### Manuel de l'opérateur

La langue d'origine du présent manuel d'utilisation est l'anglais. Les manuels d'utilisation disponibles dans d'autres langues sont des traductions de l'anglais.

### Aperçu

(Fig. 1 )

1. Plaque de numéro de série et de produit
2. Blocage de la gâchette
3. Poignée avant
4. Capot de cylindre
5. Frein de chaîne avec arceau protecteur
6. Silencieux
7. Patin d'ébranchage
8. Pignon de renvoi du guide-chaîne
9. Protection de la main droite
10. Gâchette
11. Couvercle du pignon
12. Capteur de chaîne
13. Guide-chaîne
14. Chaîne
15. Poignée du démarreur
16. Réservoir d'huile pour chaîne
17. Lanceur
18. Réservoir de carburant
19. Starter
20. Poignée arrière
21. Bouton d'arrêt
22. Vis de ralenti
23. Pompe à carburant
24. Autocollant d'information et d'avertissement
25. Vis pour le réglage de la pompe à huile
26. Fourreau du guide-chaîne
27. Outil multi-usage
28. Huile deux temps
29. Manuel d'utilisation (EPA)

### Symboles concernant le produit

- (Fig. 2 ) Avertissement
- (Fig. 3 ) Veuillez prendre connaissance de ce manuel
- (Fig. 4 ) Utilisez un casque homologué, des protège-oreilles et des protections pour les yeux
- (Fig. 5 ) Utilisez des gants de protection homologués
- (Fig. 6 ) Le produit est conforme aux directives CE en vigueur
- (Fig. 7 ) Niveau de puissance sonore
- (Fig. 8 ) Frein de chaîne, desserré (gauche). Frein de chaîne, serré (droite)
- (Fig. 9 ) Starter
- (Fig. 10 ) Pompe à carburant
- (Fig. 11 ) Remplissage d'essence
- (Fig. 12 ) Remplissage d'huile de chaîne
- (Fig. 13 ) Ce produit est conforme aux directives EAC en vigueur
- (Fig. 14 ) Ce produit est conforme aux directives ukrainiennes en vigueur
- (Fig. 15 ) Niveau sonore
- (Fig. 16 ) Tenez l'appareil correctement, avec les deux mains
- (Fig. 17 ) Ne l'utilisez pas d'une seule main
- (Fig. 18 ) Évitez tout contact avec la pointe du guide-chaîne

(Fig. 19) Attention aux rebonds

Ce produit est conforme aux directives australiennes et néo-zélandaises en matière de compatibilité électromagnétique.

**Remarque:** Les autres symboles/autocollants présents sur le produit concernent des exigences de certification spécifiques à d'autres zones commerciales.

## Responsabilité

Conformément à la loi sur la responsabilité du fait des produits, nous déclinons toute responsabilité pour tout dommage causé par notre produit si :

- le produit n'est pas correctement réparé ;
- le produit est réparé avec des pièces qui ne proviennent pas du fabricant ou qui ne sont pas homologuées par le fabricant ;
- le produit est équipé d'un accessoire qui ne provient pas du fabricant ou qui n'est pas homologué par le fabricant.
- le produit n'est pas réparé par un centre d'entretien agréé ou par une autorité homologuée.

---

# SÉCURITÉ

---

## Définitions de sécurité

Les définitions ci-dessous indiquent le niveau de gravité pour chaque mention d'avertissement.



**AVERTISSEMENT:** Blessures aux personnes.



**REMARQUE:** Dommages au produit.

**Remarque:** Cette information facilite l'utilisation du produit.

## Instructions générales de sécurité

- Utilisez le produit correctement. Une utilisation inappropriée peut causer des blessures graves, voire mortelles. Utilisez uniquement le produit pour les tâches décrites dans le présent manuel. N'utilisez pas ce produit pour d'autres travaux.
- Assurez-vous de lire, de comprendre et de respecter les instructions de ce manuel. Respectez les symboles et les instructions de sécurité. Le non-respect des instructions et des symboles par l'opérateur peut causer des blessures graves, voire mortelles, ou des dommages.
- Ne jetez pas ce manuel. Utilisez les instructions pour assembler, utiliser et conserver votre produit en bon état. Utilisez les instructions pour l'installation appropriée des équipements et accessoires. Utilisez uniquement des équipements et accessoires homologués.
- N'utilisez pas de produit endommagé. Respectez le schéma d'entretien. Effectuez uniquement les travaux d'entretien dont les instructions sont comprises dans ce manuel. Tous les autres travaux d'entretien doivent être effectués par un centre d'entretien agréé.
- Ce manuel ne peut pas inclure toutes les situations qui peuvent se produire lorsque vous utilisez le produit. Soyez prudent et utilisez votre bon sens. N'utilisez pas ou n'effectuez pas de travaux d'entretien sur le produit si vous n'êtes pas sûr de la situation. Contactez un spécialiste du produit, votre revendeur, votre agent d'entretien ou centre d'entretien agréé pour plus d'informations.
- Déconnectez la bougie avant d'assembler, de stocker ou d'effectuer l'entretien du produit.
- N'utilisez pas le produit si ses caractéristiques initiales ont été changées. Ne remplacez pas une pièce du produit sans l'approbation du fabricant. Utilisez uniquement les pièces qui sont approuvées par le fabricant. Un entretien inapproprié peut causer des blessures graves, voire mortelles.
- Ne respirez pas les fumées provenant du moteur. Une inhalation prolongée des gaz d'échappement du moteur, du brouillard d'huile de chaîne et des copeaux peut constituer un danger pour la santé.
- Ne démarrez pas le produit dans un local clos ou à proximité de matériaux inflammables. Les gaz d'échappement sont très chauds et peuvent contenir une étincelle pouvant provoquer un incendie. Sans une circulation d'air suffisante, des blessures ou la mort peuvent survenir par asphyxie au monoxyde de carbone.
- Cet appareil génère un champ électromagnétique en fonctionnement. Le champ électromagnétique peut endommager les implants médicaux. Consultez votre médecin et le fabricant de votre implant avant d'utiliser ce produit.
- Ne laissez pas un enfant utiliser le produit.
- Ne laissez pas une personne utiliser le produit si elle ne connaît pas les instructions.
- Surveillez constamment les personnes aux capacités physiques ou mentales réduites qui utilisent ce produit. Un adulte responsable doit être présent à tout moment.
- Stockez le produit dans une zone dont l'accès est fermé aux enfants et aux personnes non autorisées.

- Le produit peut projeter des objets et causer des blessures. Respectez les consignes de sécurité afin de réduire le risque de blessures graves ou mortelles.
- Ne vous éloignez pas du produit lorsque le moteur est allumé. Arrêtez le moteur et assurez-vous que la chaîne ne tourne pas.
- L'opérateur du produit est tenu responsable en cas d'accident.
- Assurez-vous que les pièces ne soient pas endommagées avant d'utiliser le produit.
- Référez-vous aux lois nationales ou locales. Elles peuvent empêcher ou limiter le fonctionnement du produit dans certaines conditions.

## Consignes de sécurité pour le fonctionnement

- L'utilisation quotidienne ou régulière du produit peut provoquer le syndrome des « doigts blancs » ou entraîner des problèmes médicaux équivalents causés par les vibrations. Examinez l'état de vos mains et de vos doigts si vous utilisez le produit quotidiennement ou régulièrement. Si vos mains ou vos doigts présentent une décoloration, sont douloureux ou engourdis, arrêtez de travailler et contactez immédiatement un médecin.
- Assurez-vous que le produit est complètement assemblé avant de l'utiliser.
- Le produit peut entraîner la projection d'objets, ce qui peut causer des lésions oculaires. Utilisez toujours des protections pour les yeux homologuées lorsque vous faites fonctionner l'appareil.
- Soyez prudent, un enfant peut se trouver à proximité du produit durant son fonctionnement sans que vous en ayez connaissance.
- N'utilisez pas le produit si des personnes sont présentes dans la zone de travail. Arrêtez le produit si une personne pénètre dans la zone de travail.

(Fig. 21)

- Assurez-vous de toujours garder le contrôle du produit.
- L'appareil doit être utilisé avec les deux mains. N'utilisez jamais l'appareil d'une seule main. L'utilisateur, les travailleurs, les passants ou toute personne près de la zone de travail peuvent être grièvement blessés.
- Tenez la poignée avant avec la main gauche et la poignée arrière avec la main droite. Tenez l'appareil du côté droit du corps.

(Fig. 22)

- N'utilisez pas l'appareil si vous êtes fatigué ou malade, ou si vous êtes sous l'emprise de l'alcool ou de drogues.
- N'utilisez pas ce produit si vous ne pouvez pas être secouru en cas d'accident. Informez les autres personnes que vous allez utiliser le produit avant de démarrer l'appareil.

- Ne tournez pas avec le produit avant de vous assurer qu'aucune personne ni aucun animal ne se trouvent dans la zone de sécurité.
- Retirez tous les matériaux indésirables de la zone de travail avant de commencer. Si la chaîne heurte un objet, l'objet peut être projeté et causer des blessures ou des dommages. Les matériaux indésirables peuvent s'enrouler autour de la chaîne et causer des dommages.
- N'utilisez pas l'appareil par mauvais temps, par exemple en cas de brouillard, pluie, vents violents, risque d'éclairs ou autres conditions climatiques. Le mauvais temps peut créer des conditions de travail dangereuses, telles que des surfaces glissantes.
- Assurez-vous que vous pouvez vous déplacer librement et travailler dans une position stable
- Assurez-vous que vous ne pouvez pas tomber lorsque vous utilisez le produit. Ne vous inclinez pas lorsque vous utilisez le produit.
- Tenez toujours le produit avec vos deux mains. Tenez la poignée avant avec la main gauche et la poignée arrière avec la main droite. Tenez l'appareil du côté droit du corps.
- Si la commande du starter est sur la position de starter lorsque le moteur démarre, la chaîne commence à tourner.
- Arrêtez le moteur avant de déplacer le produit.
- Ne posez pas le produit lorsque le moteur est allumé.
- Arrêtez le moteur avant de retirer les matériaux indésirables de l'appareil. Attendez l'arrêt de la chaîne avant de retirer la matière coupée.
- N'utilisez pas cet appareil si vous êtes dans un arbre. Si vous êtes dans un arbre, vous risqueriez de vous blesser ou de blesser quelqu'un.

(Fig. 23)

- Le frein de l'appareil doit être serré au démarrage de la tronçonneuse afin de réduire le risque que la chaîne vous touche lors du démarrage.

(Fig. 24)

- Évitez le rebond, le patinage, le tressautement et la chute, qui peuvent causer des blessures graves.
- Respectez toutes les règles de sécurité afin d'éviter un rebond et les autres forces qui sont susceptibles de causer des blessures graves.
- Réglez régulièrement la tension de la chaîne de sciage pour s'assurer qu'elle n'est pas détendue. Une tension insuffisante de la chaîne augmente le risque que la chaîne saute et donc de blessures graves, voire mortelles.
- N'abattez pas des arbres sans respecter la bonne procédure. Vous risquez de provoquer des dommages corporels, heurter une ligne électrique ou causer des dommages matériels.
- L'opérateur doit toujours rester en amont du terrain afin d'éviter les troncs qui peuvent rouler ou glisser vers le bas après avoir été abattus.

(Fig. 25)

- Prévoyez une voie de retraite et dégagez-la avant de commencer la coupe. La voie de retraite doit s'étendre vers l'arrière et en diagonale de la ligne de chute attendue.

(Fig. 26 )

- Arrêtez toujours le moteur avant de déplacer l'appareil entre les arbres.
- Prenez soin de bien garder les pieds au sol et de répartir votre poids équitablement.

(Fig. 27 )

- Ayez toujours un bon appui et n'utilisez l'appareil que si vous êtes debout sur une surface plane, fixe et sécurisée. Les surfaces glissantes ou instables, telles que les échelles, peuvent entraîner une perte d'équilibre ou de contrôle.

(Fig. 28 )

## Rebonds, patinage, tressautement et chute

Des forces différentes peuvent avoir un effet sur le contrôle sécuritaire de l'appareil.

- **On parle de patinage** lorsque le guide-chaîne glisse ou se déplace rapidement sur le bois.
- **On parle de tressautement** lorsque le guide-chaîne soulève le bois et le touche maintes fois.
- **On parle de chute** lorsque l'appareil finit sa course au sol une fois la coupe effectuée. En cas de chute, la chaîne en mouvement peut toucher une partie du corps ou d'autres objets, et causer des blessures ou des dommages.
- **On parle de rebond** lorsque l'extrémité du guide-chaîne entre en contact avec des objets et recule, remonte ou avance soudainement. Le rebond se produit également lorsque le bois se referme et coince la chaîne de sciage lors de la découpe. L'opérateur peut perdre le contrôle de l'appareil lorsqu'il heurte un objet dans le bois.

(Fig. 29 )

- **Le rebond rotationnel** peut se produire quand la chaîne en mouvement entre en contact avec un objet en haut du guide-chaîne. La chaîne peut s'enfuir dans l'objet et s'arrêter immédiatement. Il se produit une réaction inverse et très rapide qui déplace le guide-chaîne vers le haut et vers l'arrière en direction de l'opérateur.

(Fig. 30 )

(Fig. 31 )

- **Le rebond de coincement** peut se produire lorsque la chaîne de sciage s'arrête soudainement lors de la découpe. Le bois se referme et coince la chaîne de sciage en mouvement le long de la partie supérieure du guide-chaîne. L'arrêt soudain de la chaîne inverse la force de la chaîne et pousse l'appareil dans le sens opposé à la rotation de la chaîne. L'appareil se déplace vers l'arrière en direction de l'opérateur.

(Fig. 32 )

- **Le « pull-in »** peut se produire quand la chaîne de sciage heurte un objet dans le bois le long de la partie inférieure du guide-chaîne. L'arrêt soudain pousse l'appareil vers l'avant en l'éloignant de l'opérateur, ce qui peut lui faire facilement perdre le contrôle de l'appareil.

(Fig. 33 )

Assurez-vous de bien comprendre les différentes forces et comment les éviter avant de faire fonctionner l'appareil.

## Afin d'éviter les rebonds, le patinage, le tressautement et la chute

- Veillez à bien tenir l'appareil lorsque le moteur tourne. Maintenez votre main droite sur la poignée arrière et votre main gauche sur la poignée avant. Maintenez fermement avec les pouces et les doigts autour des poignées. Ne lâchez pas.
- Gardez le contrôle de l'appareil lors de la coupe et après que le bois tombe au sol. Ne laissez pas l'appareil tomber par terre une fois la découpe effectuée.(Fig. 34 )
- Assurez-vous que la zone dans laquelle vous travaillez est exempte de tout obstacle. Ne laissez pas la pointe du guide-chaîne entrer en contact avec une bûche, une branche ou tout autre obstacle pendant que vous utilisez l'appareil.
- Coupez à des vitesses du moteur élevées.
- Ne vous penchez pas et ne coupez pas au-dessus de la hauteur d'épaule.(Fig. 35 )
- Observez les instructions du fabricant pour l'affûtage et l'entretien de la chaîne.
- N'utilisez que les guide-chaînes et chaînes de sciage spécifiés par le fabricant.
- Un réglage de la jauge de profondeur trop important augmente la tendance au rebond de la chaîne.

## Équipement de protection individuelle

- Utilisez toujours un équipement de protection individuelle approprié lors de tout travail avec l'appareil. L'équipement de protection individuel n'empêche pas le risque de blessures. L'équipement de protection individuel diminue la gravité des blessures en cas d'accident.
- Porter des vêtements près du corps et ne risquant pas de gêner les mouvements.
- Utilisez un casque de protection homologué.
- Utilisez toujours des protections auditives homologuées lorsque vous faites fonctionner le produit. Une longue exposition au bruit peut causer la surdité.
- Utilisez des lunettes de protection ou une visière faciale pour vous protéger d'une éventuelle projection d'objet. L'appareil peut projeter avec violence des objets, de la sciure et de petits morceaux de bois par exemple. Il peut en résulter des blessures graves, surtout au niveau des yeux.

- Utilisez des gants de protection contre les tronçonnes.
- Utilisez un pantalon de protection contre les tronçonnes.
- Utilisez des bottes avec protection contre les tronçonnes, embout acier et semelle antidérapante.
- Assurez-vous de disposer d'une trousse de premiers soins à proximité.
- Des étincelles peuvent être produites par le silencieux, le guide-chaîne et la chaîne de sciage ou par d'autres sources. Veillez à toujours disposer de dispositifs extincteurs et d'une pelle pour prévenir les feux de forêt.

## Dispositifs de protection sur le produit

- Assurez-vous de régulièrement entretenir le produit.
  - La durée de vie du produit augmente.
  - Le risque d'accident diminue.

Laissez un revendeur ou un centre d'entretien agréé régulièrement examiner le produit pour effectuer des réglages ou des réparations.

- N'utilisez pas un produit dont les équipements de protection sont endommagés. Si le produit est endommagé, contactez un centre d'entretien agréé.

## Bouton d'arrêt

Démarrez le moteur. Assurez-vous que le moteur s'arrête lorsque vous mettez le bouton d'arrêt en position stop.

## Pour examiner le blocage de la gâchette d'accélération

1. Assurez-vous que la gâchette (B) est verrouillée en position de ralenti lorsque vous relâchez le blocage de la gâchette (A). (Fig. 36)
2. Appuyez sur le blocage de la gâchette (A) et assurez-vous qu'il retourne à sa position initiale lorsque vous le relâchez.
3. Appuyez sur la gâchette (B) et assurez-vous qu'elle retourne à sa position initiale lorsque vous la relâchez.
4. Démarrez le moteur, puis faites-le tourner à plein régime.
5. Relâchez la gâchette et vérifiez si la chaîne de sciage s'arrête.
6. Si la chaîne de sciage tourne avec un moteur au ralenti, examinez la vis de réglage de ralenti du carburateur.

## Protection

La protection empêche les objets d'être éjectés vers l'opérateur. La protection empêche également les contacts accidentels entre l'opérateur et la chaîne.

- Assurez-vous que la protection peut être utilisée simultanément avec l'appareil.

- N'utilisez pas l'appareil sans la protection.
- Assurez-vous que la protection n'est pas endommagée. Remplacez la protection si elle est usée ou si elle présente des fissures.

## Sécurité carburant

- Ne démarrez pas le produit si du carburant ou de l'huile moteur a été renversé(e) sur le produit. Essuyez le carburant/l'huile et attendez que le produit sèche. Essuyez le carburant déversé sur le produit.
- Si vous avez renversé du carburant sur vos vêtements, changez de vêtements immédiatement.
- Évitez tout contact de la peau avec le carburant. Le carburant peut causer des blessures. Si votre peau entre en contact avec le carburant, lavez les parties qui ont été en contact avec de l'eau et du savon.
- Ne démarrez pas le moteur si vous avez renversé de l'huile ou du carburant sur le produit ou sur vous.
- Ne démarrez pas le produit s'il y a une fuite de moteur. Vérifiez régulièrement s'il y a des fuites de moteur.
- Faites attention avec le carburant. Le carburant est inflammable et ses vapeurs sont explosives. Il peut causer des blessures graves, voire mortelles.
- Ne respirez pas les vapeurs de carburant, elles peuvent causer des blessures. Assurez-vous que la ventilation est suffisante.
- Ne fumez pas à proximité du carburant ou du moteur.
- Ne mettez pas d'objets chauds à proximité du carburant ou du moteur.
- N'ajoutez pas de carburant lorsque le moteur est allumé.
- Assurez-vous que le moteur est froid avant de faire le plein de carburant.
- Avant de faire le plein, ouvrez le bouchon du réservoir de carburant lentement et relâchez la pression avec précaution.
- N'ajoutez pas de carburant au moteur dans un espace intérieur. Un débit d'air insuffisant peut causer des blessures graves, voire mortelles dues à une asphyxie ou au monoxyde de carbone.
- Serrez le bouton du réservoir de carburant avec précaution afin d'éviter tout risque d'incendie.
- Déplacez le produit à un minimum de 3 m (10 ft) de l'endroit où a été fait le plein de carburant avant de démarrer le produit.
- Ne remplissez pas trop le réservoir de carburant.
- Assurez-vous qu'aucune fuite ne peut se produire lorsque vous déplacez le produit ou le bidon de carburant.
- Ne placez pas le produit ni le bidon de carburant dans un espace où il y a une flamme nue, des étincelles ou une veilleuse d'allumage. Assurez-vous qu'il n'y a pas de flamme nue dans le lieu de stockage.



- Utilisez uniquement des récipients homologués pour le transport et le stockage de carburant.
- Avant de remiser le produit pour une période prolongée, videz le réservoir de carburant. Respectez la législation locale sur les lieux d'élimination du carburant.
- Nettoyez le produit avant de le remiser pour une période prolongée.
- Retirez la bougie avant de remiser le produit afin de s'assurer que le moteur ne démarre pas par inadvertance.

## Consignes de sécurité pour l'entretien

- Débranchez la bougie d'allumage avant toute intervention sur l'appareil, à l'exception des réglages du carburateur.
- Faites réparer l'appareil par un concessionnaire agréé, sauf pour les tâches décrites dans *ENTRETIEN à la page 164*.
- Assurez-vous que la chaîne de sciage s'immobilise lorsque la gâchette d'accélération est relâchée.
- Veillez à ce que les poignées soient propres et sèches, sans traces d'huile ou de carburant.
- Vérifiez que les bouchons et les fixations sont bien serrés.
- L'utilisation de pièces de rechange non homologuées ou la dépose des dispositifs de sécurité peut endommager l'appareil. D'éventuelles

- blessures à l'opérateur ou aux patients pourraient également en résulter. Utilisez uniquement des accessoires et pièces de rechange préconisés. Ne modifiez pas votre appareil.
- Maintenez la chaîne de sciage affûtée et propre pour un fonctionnement sûr et efficace.
- Respectez les instructions relatives à la lubrification et au remplacement des accessoires.
- Vérifiez que l'appareil ne comporte pas de pièces endommagées. Avant d'utiliser systématiquement l'appareil, assurez-vous que la protection ou la pièce endommagée fonctionne correctement. Vérifiez s'il y a des pièces cassées ou mal alignées, et des pièces qui ne se déplacent pas librement. Recherchez d'autres conditions qui pourraient affecter le fonctionnement de l'appareil. Veillez à ce que l'appareil soit correctement installé. Une protection ou toute autre pièce endommagée doit être réparée ou remplacée par un concessionnaire agréé, sauf indication contraire dans le manuel d'utilisation.
- Lorsqu'il n'est pas utilisé, rangez l'appareil hors de portée des enfants dans un lieu sec ou fermé.
- Pendant le transport ou le rangement de l'appareil, déplacez l'appareil à l'aide d'un fourreau ou couvercle du guide-chaîne.
- N'utilisez pas de l'huile usagée. L'huile usagée représente un danger pour vous, et peut endommager l'appareil et l'environnement.

---

## MONTAGE

---



**AVERTISSEMENT:** Assurez-vous de lire et de comprendre le chapitre dédié à la sécurité avant de monter l'appareil.

### Pour monter le guide-chaîne et la chaîne de sciage

1. Déplacez le protège-main avant dans le sens de la poignée avant pour desserrer le frein de chaîne.
2. Rabattre le bouton vers l'extérieur en position ouverte. (Fig. 37 )
3. Tourner le bouton dans le sens contraire des aiguilles d'une montre pour libérer le couvercle du guide-chaîne.(Fig. 38 )
4. Retirez le bouton (A) et le couvercle du pignon. Retirez le dispositif de protection, le cas échéant. (Fig. 39 )
5. Placez le guide-chaîne au-dessus des boulons du guide-chaîne. Guidez le guide-chaîne dans sa position la plus en arrière possible. Mettez la chaîne sur le pignon d'entraînement et placez-la dans la rainure du guide-chaîne. Commencez par le bord supérieur du guide-chaîne. (Fig. 40 )
6. Assurez-vous que la face tranchante des dents est dirigée vers l'avant sur le dessus du guide-chaîne.
7. Montez le couvercle du pignon et guidez le goujon de tension de la chaîne dans l'ouverture du guide-chaîne. Assurez-vous que les maillons d'entraînement de la chaîne s'engagent dans le pignon d'entraînement. Assurez-vous également que la chaîne de sciage s'engage dans la rainure du guide-chaîne. (Fig. 41 )
8. Serrez la chaîne de sciage en tournant la manette vers le bas (+). Tendez la chaîne jusqu'à ce qu'elle ne pende plus sous le guide-chaîne. (Fig. 42 )
9. La chaîne est tendue correctement, car elle ne pend pas sous le guide-chaîne, mais vous pouvez facilement la tourner manuellement.
10. Tenez le nez du guide-chaîne et tournez le bouton dans le sens des aiguilles d'une montre pour le resserrer. (Fig. 43 )
  - Vérifiez régulièrement la tension de la chaîne après le montage d'une chaîne de sciage neuve jusqu'à ce que cette chaîne soit dûment rodée.
  - Vérifiez régulièrement la tension de la chaîne. Une chaîne bien tendue offre de bonnes performances de coupe et une longue durée de vie.

## Pour réinitialiser le frein de chaîne

Si le carter de l'embrayage est retiré accidentellement alors que le frein de chaîne est verrouillé, le frein de chaîne doit être déverrouillé de sorte à pouvoir assembler le carter de l'embrayage sans le fixer au tambour d'embrayage.



**REMARQUE:** le ressort du frein de chaîne est comprimé. Faites preuve de prudence lors de la réinitialisation du frein de chaîne.

**Remarque:** Ne maintenez pas la bande de frein lorsque vous tentez de réinitialiser le frein.

1. Alignez les encoches sur l'outil de réglage du guide-chaîne de manière à les positionner sur la liaison rotative du frein.(Fig. 44 )
2. Pour réinitialiser le frein, faites tourner la liaison dans le sens des aiguilles d'une montre jusqu'à ce qu'elle s'arrête. La liaison avant est tournée vers le bas lorsque le frein de chaîne est déverrouillé.(Fig. 45 ) (Fig. 46 )

## FONCTIONNEMENT



**AVERTISSEMENT:** Assurez-vous de lire et de comprendre le chapitre dédié à la sécurité avant d'utiliser le produit.



**REMARQUE:** N'utilisez pas d'essence avec un indice d'octane inférieur à 90 RON (87 AKI). Cela peut endommager le produit.

## Pour utiliser le carburant



**REMARQUE:** Ce produit est équipé d'un moteur à deux temps. Utilisez un mélange d'essence et d'huile moteur à deux temps. Assurez-vous d'utiliser la quantité correcte d'huile dans le mélange. Un rapport incorrect d'essence et d'huile peut endommager le moteur.

**Remarque:** Utilisez de l'essence avec un numéro d'octane supérieur si vous utilisez fréquemment le produit à une vitesse du moteur élevée en continu.

3. Ajoutez la quantité totale d'huile pour moteur à deux-temps dans le bidon de carburant.



**REMARQUE:** Utilisez toujours une huile de bonne qualité pour moteur deux temps refroidi par air. L'utilisation d'autres huiles peut endommager l'appareil.

## Rapport de mélange de carburant

Pour l'essence et l'huile pour moteur à deux temps, le mélange de carburant s'établit aux environs de 50:1 (2 %)

Essence	Huile moteur à deux temps
1 U.S. gal.	77 ml (2,6 oz)
1 UK gal.	95 ml (3,2 oz)
5 l	100 ml (3,4 oz)

4. Agitez le mélange de carburant pour mélanger le contenu.
5. Ajoutez la quantité d'essence restante dans le bidon de carburant.
6. Agitez le mélange de carburant pour mélanger le contenu.
7. Versez le mélange de carburant dans le réservoir de carburant de l'appareil. Consultez la section *Pour utiliser le carburant à la page 162.*

## Pour effectuer le mélange de carburant

1. Déterminez la bonne quantité d'essence et d'huile moteur (rapport de mélange de 50:1). Ne préparez pas une quantité de mélange de carburant pour plus de 30 jours. Consultez la section *Pour utiliser le carburant à la page 162.*
2. Ajoutez la moitié de la quantité d'essence dans un bidon de carburant propre muni d'un clapet anti-déversement.



**REMARQUE:** N'utilisez pas d'essence avec une concentration d'éthanol (E10) supérieure à 10 %. Cela peut endommager le produit.

## Pour remplir le réservoir de carburant

1. Assurez-vous que le mélange de carburant est correct et qu'il se trouve dans un bidon de carburant muni d'un clapet anti-déversement.
2. Si le carburant se déverse sur le bidon, essayez de le déverser et laissez sécher le bidon.
3. Assurez-vous que la zone proche du bouchon du réservoir de carburant est propre.
4. Retirez le bouchon du réservoir de carburant.
5. Agitez le bidon de carburant avant de verser le mélange de carburant dans le réservoir.
6. Remettez en place le bouchon du réservoir de carburant.

## Pour lubrifier la chaîne de sciage

L'appareil est équipé d'un système de lubrification automatique. Le réservoir d'huile de chaîne et le réservoir de carburant sont dimensionnés pour que le carburant prenne fin avant l'huile de chaîne. Cette caractéristique de sécurité nécessite que la bonne huile de chaîne soit utilisée, et que les instructions soient respectées.

1. Utilisez une huile pour chaîne de sciage végétale ou une huile pour chaîne ordinaire.
2. Veillez à maintenir propre la zone près du bouchon du réservoir d'huile de la chaîne de sciage.
3. Retirez le bouchon du réservoir d'huile de la chaîne de sciage.
4. Remplissez le réservoir d'huile de la chaîne de sciage avec une huile pour chaîne de sciage préconisée.
5. Remettez en place le bouchon du réservoir d'huile de la chaîne de sciage.

## Pour démarrer et arrêter

### Avant de faire démarrer le moteur

- Vérifiez que le produit n'a pas de pièce manquante, endommagée, desserrée ou usée.
- Vérifiez les écrous, les vis et les boulons.
- Vérifiez le filtre à air.
- Examinez le blocage de la gâchette et vérifiez que la gâchette fonctionne correctement.
- Vérifiez que le bouton d'arrêt fonctionne correctement.
- Vérifiez qu'il n'y a pas de fuites de carburant au niveau du produit.
- Vérifiez que la chaîne de sciage est affûtée et tendue.

### Pour démarrer un moteur froid

1. Déplacez la protection anti-rebond vers l'avant pour serrer le frein de chaîne. (Fig. 47 )
2. Appuyez 6 fois sur la poire d'amorçage. (Fig. 48 )
3. Amenez le starter en position « full choke » (maximum). (Fig. 49 )
4. Plaquez l'appareil contre le sol à l'aide de votre main gauche. Posez votre pied droit sur la poignée arrière pour stabiliser la tronçonneuse. Tirez la poignée du câble du démarreur lentement jusqu'à ce qu'une résistance se fasse sentir. Ensuite, tirez la poignée du câble du démarreur avec force 5 fois. (Fig. 50 )

**Remarque:** Ne tirez pas la gâchette pendant que vous démarrez le moteur.

5. Amenez le starter en position de non utilisation du starter.
6. Tirez la poignée du câble du démarreur jusqu'à ce que le moteur démarre. Patientez 60 secondes après le démarrage avant de tirer la gâchette.



**REMARQUE:** Ne tirez pas sur le câble du démarreur avant que le moteur s'arrête. Ne lâchez pas le câble du démarreur lorsqu'il est complètement déployé. Relâchez lentement le câble du démarreur. Observez ces instructions pour ne pas endommager le moteur.

7. Tirez le protège-main avant dans le sens de la poignée avant pour desserrer le frein de chaîne.
8. Tenez la poignée arrière avec la main droite et la poignée avant avec la main gauche.
9. Utilisez l'appareil.

### Pour démarrer un moteur chaud

1. Déplacez la protection anti-rebond vers l'avant pour serrer le frein de chaîne.
2. Appuyez 6 fois sur la poire d'amorçage.
3. Amenez le starter en position « full choke » (maximum).
4. Amenez le starter en position de non utilisation du starter.
5. Plaquez l'appareil contre le sol à l'aide de votre main gauche. Posez votre pied droit sur la poignée arrière pour stabiliser la tronçonneuse... Tirez la poignée du câble du démarreur lentement jusqu'à ce qu'une résistance se fasse sentir. Tirez ensuite la poignée du câble du démarreur avec force jusqu'à ce que le moteur démarre. (Fig. 51 )

**Remarque:** Ne tirez pas la gâchette pendant que vous démarrez le moteur.



**REMARQUE:** Ne tirez pas sur le câble du démarreur avant que le moteur s'arrête. Ne lâchez pas le câble du démarreur lorsqu'il est complètement déployé. Relâchez lentement le câble du démarreur. Observez ces instructions pour ne pas endommager le moteur.

6. Tirez le protège-main avant dans le sens de la poignée avant pour desserrer le frein de chaîne.
7. Tenez la poignée arrière avec la main droite et la poignée avant avec la main gauche.
8. Utilisez l'appareil.

### Pour démarrer le moteur lorsque le carburant est trop chaud

Si l'appareil ne démarre pas, il se peut que le carburant soit trop chaud.

**Remarque:** Utilisez toujours un nouveau carburant et limitez le temps de fonctionnement par temps chaud.

1. Placez l'appareil dans un endroit frais à l'abri des rayons du soleil.

2. Laissez l'appareil refroidir pendant 20 minutes au moins.
3. Appuyez maintes fois sur la poire d'amorçage pendant 10 à 15 secondes.
4. Observez la procédure relative au démarrage d'un moteur froid. Consultez la section *Pour démarrer un moteur froid* à la page 163.

### Pour arrêter le moteur

- Appuyez sur le bouton d'arrêt pour arrêter le moteur.

**Remarque:** Le bouton d'arrêt revient automatiquement à sa position initiale.

### Pour utiliser un patin d'ébranchage

Un patin d'ébranchage permet d'éviter les rebonds et d'immobiliser le bois lors de la découpe. Le patin d'ébranchage est un pivot situé entre le corps moteur et le guide-chaîne.

1. Placez l'extrémité inférieure du patin d'ébranchage à la bonne largeur de charnière.
2. Appuyez sur la poignée avant avec la main gauche en soulevant la poignée arrière avec la main droite.
3. Sciez jusqu'à l'obtention de la bonne largeur de charnière.

**Remarque:** La charnière doit avoir la même épaisseur.

4. Sciez plus de la moitié du diamètre, avant d'introduire le coin d'abattage dans la tronçonneuse.

### Pour abattre un arbre

1. Enlevez la saleté, les pierres, l'écorce qui se détache, des épines, des crampons et le câble de l'arbre.
2. Faites une entaille correspondant à 1/3 du diamètre de l'arbre, perpendiculaire à la direction de la chute. (Fig. 52)
3. Faites une entaille horizontale inférieure. Cela évite que la chaîne de sciage ou du guide-chaîne se coince quand vous pratiquez la deuxième entaille.
4. Pratiquez le trait d'abattage (X) à une hauteur minimale de 50 mm (2 po) par rapport à l'entaille horizontale. Maintenez le trait d'abattage parallèlement à l'entaille horizontale gauche pour qu'il y ait assez de bois pour servir de charnière. Ne

coupez pas à travers la charnière. Le bois de charnière évite que l'arbre ne se penche et ne chute dans la mauvaise direction. (Fig. 53) (Fig. 54)

5. L'arbre commence à tomber quand le trait d'abattage approche la charnière. Assurez-vous que l'arbre va tomber dans la bonne direction et qu'il ne pivote pas vers l'arrière ni ne coince la chaîne de sciage. Pour éviter cela, arrêtez la coupe avant que le trait d'abattage ne soit terminé. Utilisez des coins en bois, en plastique ou en aluminium pour ouvrir l'entaille et laissez tomber l'arbre le long de la ligne de chute concernée. (Fig. 55)
6. Lorsque l'arbre commence à tomber, retirez l'appareil, arrêtez le moteur, abaissez l'appareil puis utilisez la voie de retraite prévue. Faire attention à la chute des branches supérieures et vérifier ses appuis. (Fig. 56)

### Pour tailler un arbre

1. Utilisez les grosses branches pour que la bûche ne touche pas au sol.
2. Enlevez les petites branches d'un seul coup. (Fig. 57)
3. Coupez les branches pliées de bas en haut pour éviter que la chaîne de sciage ou le guide-chaîne ne coince.

### Pour débiter une bûche



**REMARQUE:** Ne laissez pas la chaîne de sciage toucher au sol.

- Si la bûche est soutenue sur toute sa longueur, coupez par le dessus de la bûche (qualifié de tronçonnage par le dessus). (Fig. 58)
- Si la bûche est soutenue d'un côté, coupez par le dessous sur 1/3 du diamètre de la bûche (qualifié de tronçonnage par le dessous). (Fig. 59)
- Si la bûche est soutenue des deux côtés, coupez par le dessus sur 1/3 du diamètre de la bûche. Effectuez la coupe en tronçonnant les 2/3 inférieurs de la bûche jusqu'à la première coupe. (Fig. 60)
- Si vous débitez une bûche dans une pente, placez-vous toujours en amont de la bûche. Coupez la bûche en gardant un contrôle total de l'appareil, puis relâchez la pression quand la coupe est presque terminée en maintenant fermement la poignée arrière et la poignée avant. (Fig. 61)

## ENTRETIEN



**AVERTISSEMENT:** Assurez-vous de lire et de comprendre le chapitre sur la sécurité avant de nettoyer, de réparer ou de procéder à l'entretien du produit.

### Schéma d'entretien

Assurez-vous de respecter le schéma d'entretien. Les intervalles sont calculés selon une utilisation quotidienne du produit. Les intervalles sont différents si vous n'utilisez pas le produit tous les jours. Effectuez uniquement les travaux d'entretien décrits dans ce

manuel. Contactez un centre d'entretien agréé pour effectuer d'autres travaux d'entretien ne figurant pas dans ce manuel.

## Entretien quotidien

- Nettoyez les surfaces externes.
- Vérifiez que le blocage et la gâchette fonctionnent correctement.
- Nettoyez le frein de chaîne et vérifiez qu'il fonctionne correctement.

(Fig. 62 )

- Vérifiez si le capteur de chaîne est endommagé. Remplacez le capteur de chaîne s'il est endommagé.

(Fig. 63 )

- Retournez le guide-chaîne tous les jours afin de répartir également l'usure.
- Vérifiez que l'orifice de lubrification du guide-chaîne n'est pas bouché.

(Fig. 64 )

- Nettoyez la rainure du guide-chaîne.

(Fig. 65 )

- Assurez-vous que le guide-chaîne et la chaîne de sciage sont suffisamment lubrifiés.
- Vérifiez que le guide-chaîne :
  - est dépourvu de fissures dans les rivets et les maillons ;
  - comporte des rivets et des maillons anormalement usés ;
  - est bien tendu.

Remplacez la chaîne de sciage, au besoin.

- Affûtez la chaîne de sciage. Consultez la section *Pour affûter la chaîne de sciage à la page 166*.
- Examinez le pignon d'entraînement de la chaîne et le remplacer s'il est usé.

(Fig. 66 )

- Nettoyez la prise d'air du démarreur.
- Assurez-vous que les écrous et les vis sont serrés.
- Contrôlez le bon fonctionnement du bouton d'arrêt.
- Vérifiez s'il y a des fuites au niveau du moteur, du réservoir et des conduites de carburant.
- Vérifiez que la chaîne de sciage ne tourne pas lorsque le moteur est au ralenti.

## Entretien hebdomadaire

- Contrôlez le bon fonctionnement du système de refroidissement.
- Contrôlez le bon fonctionnement du démarreur, du câble du démarreur et du ressort de rappel.
- Vérifiez que les amortisseurs ne sont pas endommagés.

(Fig. 67 )

- Limer les bavures éventuelles sur les côtés du guide-chaîne.
- Nettoyez ou remplacez le pare-étincelles du silencieux.

(Fig. 68 )

- Nettoyez les surfaces externes du carburateur et les zones adjacentes.
- Nettoyez le filtre à air. Installez un nouveau filtre à air s'il est endommagé ou trop sale pour être complètement nettoyé. Consultez la section *Pour nettoyer le filtre à air à la page 166* pour plus d'informations.

## Entretien mensuel

- Contrôlez le degré d'usure du ruban de freinage du frein de chaîne. Remplacez lorsque l'épaisseur de la bande de freinage est inférieure à 0,6 mm (0,024 pouce) au niveau du point le plus usé.

(Fig. 69 )

- Contrôlez le degré d'usure du moyeu, du tambour et du ressort d'embrayage.
- Nettoyez la bougie. Vérifiez que l'écartement des électrodes est correct.

(Fig. 70 )

- Nettoyez les surfaces externes du carburateur et les zones adjacentes.
- Contrôlez le filtre à carburant et le tuyau de carburant. Remplacez si nécessaire.
- Videz le réservoir de carburant.
- Videz le réservoir d'huile.
- Vérifiez tous les câbles et toutes les connexions.

## Maintenance annuelle

- Vérifiez la bougie.
- Nettoyez les surfaces externes du carburateur et les zones adjacentes.
- Nettoyer le système de refroidissement.
- Vérifiez l'écran pare-étincelles.
- Vérifiez le filtre à carburant.
- Vérifiez le tuyau de carburant afin de détecter d'éventuels dommages.
- Vérifiez tous les câbles et toutes les connexions.

## Entretien périodique

- Faites réparer ou remplacer le silencieux après 50 heures de fonctionnement auprès d'un centre d'entretien agréé.
- Effectuez l'entretien de la bougie d'allumage lorsque :
  - la puissance du moteur est faible ;
  - le démarrage du moteur est difficile ;
  - le moteur ne fonctionne pas correctement lorsqu'il tourne au régime de ralenti.

- Contrôlez la lubrification de la chaîne de sciage à chaque plein. Consultez la section *Pour contrôler la lubrification de la chaîne de sciage à la page 167*.

## Pour régler le régime de ralenti

Assurez-vous que le filtre à air est propre et que le couvercle de filtre à air est fixé avant de régler le régime de ralenti.

1. Tournez la vis de réglage de ralenti identifiée par le repère « T » dans le sens des aiguilles d'une montre jusqu'à ce que la chaîne de sciage commence à tourner.
2. Tournez la vis de réglage de ralenti identifiée par le repère « T » dans le sens contraire des aiguilles d'une montre jusqu'à ce que la chaîne de sciage s'arrête.
3. Le régime de ralenti doit être inférieur à la vitesse lorsque la chaîne de sciage commence à tourner. Le régime de ralenti est correct lorsque le moteur fonctionne sans à-coups dans toutes les positions.

## Pour nettoyer l'écran pare-étincelles

1. Utilisez une brosse métallique pour nettoyer l'écran pare-étincelles.

## Pour effectuer l'entretien de la bougie d'allumage



**REMARQUE:** Utilisez la bougie recommandée. Assurez-vous que la bougie de remplacement est la même que celle fournie par le fabricant. Une bougie inappropriée peut endommager le produit.

1. Si l'appareil a du mal à démarrer ou à fonctionner, vérifiez la présence de matériaux indésirables au niveau de la bougie. Afin de réduire le risque de matériaux indésirables présents sur les électrodes de la bougie :
  - a) assurez-vous que le régime de ralenti est correctement réglé ;
  - b) assurez-vous que le mélange de carburant est correct ;
  - c) assurez-vous que le filtre à air est propre.
2. Nettoyez la bougie si elle est sale. Vérifiez que l'écartement des électrodes est correct.(Fig. 71 )
3. Remplacez la bougie lorsque nécessaire.

## Pour nettoyer le filtre à air

1. Retirez le couvercle du filtre à air et le filtre à air.
2. Nettoyez le filtre à air avec de l'eau chaude savonneuse. Assurez-vous que le filtre à air est sec avant de l'installer.
3. Remplacez le filtre à air s'il est trop sale pour le nettoyer complètement. Remplacez toujours un filtre à air endommagé.

## Pour affûter la chaîne de sciage

### La lame de coupe

La partie coupante de la chaîne s'appelle la lame de coupe et comporte une dent (A) et une jauge de profondeur (B). La profondeur de coupe de la lame est déterminée par la différence de hauteur entre les deux éléments, du réglage de la jauge de profondeur (C).

(Fig. 72 )

Quatre dimensions doivent être prises en compte lors de l'affûtage d'une dent :

- L'angle d'affûtage.

(Fig. 73 )

- L'angle d'impact.

(Fig. 74 )

- La position de la lime.

(Fig. 75 )

- Le diamètre de la lime ronde.

(Fig. 76 )

### Pour affûter les dents de coupe

Utilisez une lime ronde et une jauge de profondeur pour affûter les dents de coupe. Consultez la section *Combinaisons lime de chaîne de sciage et chaîne de sciage à la page 169* pour en savoir plus sur la dimension préconisée de la lime et de la jauge utilisées dans la chaîne de sciage installée sur votre appareil.

1. Veillez à ce que la chaîne soit correctement tendue. Une tension insuffisante rend la chaîne instable latéralement, gênant ainsi l'affûtage de la chaîne.
2. Limez toutes les dents du même côté en premier. Limez ensuite les dents de coupe de la face intérieure et soulagez la lime sur le mouvement de retour.
3. Retournez l'appareil et limez les dents du côté opposé.
4. Limer de manière à amener toutes les dents à la même hauteur. Si la hauteur des dents de coupe est inférieure à 4 mm (5/32"), la chaîne est usée et doit être remplacée.(Fig. 77 )

### Pour régler la jauge de profondeur

Affûtez les dents de coupe avant de procéder au réglage de la jauge de profondeur. Consultez la section *Pour affûter les dents de coupe à la page 166*. Quand la dent est affûtée (A), le réglage de jauge de profondeur (C) diminue. Pour conserver une performance de coupe maximale, le réglage de la jauge de profondeur (B) doit être abaissé au niveau recommandé. Consultez la section *Combinaisons lime de chaîne de sciage et chaîne de sciage à la page 169* pour trouver la bonne jauge de profondeur pour votre chaîne.

(Fig. 78 )

(Fig. 79 )

---

**Remarque:** cette recommandation suppose que les dents n'ont pas été anormalement réduites lors de l'affûtage.

---

Pour le réglage de la jauge de profondeur, utilisez une lime plate et un outil de jauge de profondeur.

1. Mettez l'outil de jauge de profondeur sur la chaîne de sciage. Vous trouverez des informations sur l'utilisation de l'outil de jauge de profondeur sur l'emballage.
2. Utilisez une lime plate pour retirer l'excès sur la partie qui dépasse de l'outil de jauge de profondeur. L'épaisseur est correcte quand vous pouvez passer la lime sur la jauge de profondeur sans ressentir de résistance.

### Pour tendre la chaîne de sciage

---

**Remarque:** Vérifiez régulièrement la tension d'une nouvelle chaîne de sciage pendant sa période de rodage.

---

1. Desserrez les écrous du guide-chaîne fixant le couvercle du pignon. Utilisez la clé mixte. (Fig. 80 )
2. Resserrez les écrous du guide-chaîne à fond manuellement.
3. Soulevez la partie supérieure du guide-chaîne et tendez la chaîne de sciage en serrant la vis du tendeur de chaîne. Utilisez la clé mixte. Tendez la chaîne de sciage jusqu'à ce qu'elle ne pende plus sous le guide-chaîne. (Fig. 81 )

4. Serrez les écrous du guide-chaîne à l'aide de la clé mixte et soulevez en même temps l'extrémité du guide-chaîne. (Fig. 82 )
5. Contrôlez que la chaîne de sciage peut tourner manuellement et qu'elle ne pend pas. (Fig. 83 )

### Pour lubrifier l'équipement de coupe

#### Pour contrôler la lubrification de la chaîne de sciage

Contrôlez la lubrification de la chaîne de sciage à chaque plein.

1. Démarrez l'appareil et faites-le tourner aux 3/4 de sa vitesse. Dirigez la pointe du guide-chaîne à environ 20 cm (8 pouces) de distance d'une surface claire.
2. Au bout de 1 minute de fonctionnement, une ligne d'huile apparaît sur la surface claire.
3. Si la ligne d'huile n'est pas visible au bout de 1 minute, nettoyez le canal de graissage du guide-chaîne. Nettoyez la rainure du guide-chaîne. Vérifiez que le pignon de renvoi du guide-chaîne tourne librement et qu'il n'y a pas d'obstacles dans l'orifice de lubrification. Nettoyez et lubrifiez la roulette.
4. Démarrez l'appareil et faites-le tourner aux 3/4 de sa vitesse. Dirigez la pointe du guide-chaîne à environ 20 cm (8 pouces) de distance d'une surface claire.
5. Au bout de 1 minute de fonctionnement, une ligne d'huile apparaît sur la surface claire.
6. Si la ligne d'huile n'est pas visible au bout de 1 minute, parlez-en à votre concessionnaire agréé.

---

## TRANSPORT

---

- Videz les réservoirs de carburant et d'huile pour chaîne avant de transporter l'appareil. Mettez au rebut les liquides usagés comme il se doit.
- Mettez en place le couvercle du guide-chaîne sur l'équipement de coupe lors du transport. Personne ne pourra ainsi heurter accidentellement la chaîne de sciage. Une chaîne de sciage inactive peut vous blesser ou blesser d'autres personnes qui la heurtent.
- Retirez le capuchon de la bougie d'allumage et serrez le frein de chaîne avant de transporter l'appareil.
- Assurez-vous d'immobiliser l'appareil pendant le transport.

---

## ENTREPOSAGE

---

- Mettez toujours l'appareil à l'abri dans un endroit sûr quand vous ne l'utilisez pas. Les fuites et les émanations de l'appareil peuvent entrer en contact avec des étincelles, des flammes nues produites par du matériel électrique, des tondeuses électriques, des relais/interrupteurs, des chaudières, etc.
- Conservez toujours le carburant dans un bidon homologué.
- Videz les réservoirs de carburant et d'huile pour chaîne lorsque l'appareil doit être rangé pendant de longues périodes. Mettez au rebut les liquides usagés comme il se doit.
- Lors du rangement, mettez en place le couvercle du guide-chaîne. Personne ne pourra ainsi heurter accidentellement la chaîne de sciage affûtée. Une chaîne de sciage inactive peut vous blesser gravement ou blesser d'autres personnes qui heurtent une chaîne de coupe affûtée.
- Retirez le capuchon de la bougie d'allumage et serrez le frein de chaîne avant de ranger l'appareil.

# CARACTÉRISTIQUES TECHNIQUES

	unité	120 Mark II (P02138HV)
<b>Caractéristiques du moteur</b>		
Cylindrée	cm <sup>3</sup>	38
Bougie		Champion RCJ7Y
Écartement des électrodes	mm (po)	0,5 (0,02)
Capacité du réservoir de carburant	cm <sup>3</sup>	300
Régime de ralenti	min <sup>-1</sup>	2 800-3 200
Puissance de sortie à 9 000 min <sup>-1</sup>	kW	1,4
Période de durabilité des émissions	h	50
<b>Données sur le son et les vibrations</b>		
Niveaux de vibrations équivalents, a <sub>hveq</sub> poignée avant <sup>51</sup>	m/s <sup>2</sup>	4,5
Niveaux de vibrations équivalents, a <sub>hveq</sub> poignée arrière <sup>52</sup>	m/s <sup>2</sup>	6,0
Niveau de puissance acoustique, garanti (L <sub>WA</sub> ) <sup>53</sup>	dB(A)	116
Niveau de puissance sonore mesuré <sup>54</sup>	dB(A)	110
Niveau de pression sonore à l'oreille de l'utilisateur <sup>55</sup>	dB(A)	95
<b>Dimensions du produit</b>		
Poids (sans équipement de coupe)	kg	4,9
Capacité du réservoir d'huile	cm <sup>3</sup>	200
<b>Système de graissage/de carburant</b>		
Capacité de la pompe à huile à 9 000 min <sup>-1</sup>	ml/min	7
Capacité du réservoir d'huile	cm <sup>3</sup>	200
Type de pompe à huile		Automatique
<b>Chaîne de sciage et guide-chaîne</b>		
Longueur de guide-chaîne standard	cm (po)	35-40 (14-16)
Longueur de guide-chaîne préconisée	cm (po)	35-45 (14-18)
Longueur de coupe effective	cm (po)	34-39 (13,5 -15,5)

<sup>51</sup> le niveau de vibrations équivalent, selon ISO 22867, correspond à la somme d'énergie pondérée pour les niveaux de vibrations à différents régimes. Les données reportées pour le niveau de vibrations équivalent montrent une dispersion statistique type (déviations standard) de 1 m/s<sup>2</sup>.

<sup>52</sup> le niveau de vibrations équivalent, selon ISO 22867, correspond à la somme d'énergie pondérée pour les niveaux de vibrations à différents régimes. Les données reportées pour le niveau de vibrations équivalent montrent une dispersion statistique type (déviations standard) de 1 m/s<sup>2</sup>.

<sup>53</sup> Émissions sonores dans l'environnement mesurées en tant que puissance acoustique (L<sub>WA</sub>).

<sup>54</sup> Émissions sonores dans l'environnement mesurées en tant que puissance acoustique (L<sub>WA</sub>).

<sup>55</sup> Le niveau de pression sonore équivalent correspond à la somme d'énergie pondérée en fonction du temps pour divers niveaux de pression sonore à différents régimes. La dispersion statistique typique pour le niveau de pression sonore équivalent se traduit par une déviation standard de 1 dB (A).



	unité	120 Mark II (P02138HV)
Vitesse maximale de la chaîne de sciage	m/s	22,3
Pas de chaîne de sciage	mm (po)	8,3 (0.325) 9,52 (3/8)
Épaisseur des maillons d'entraînement (calibre)	mm (po)	1,3 (0,05)
Type de pignon d'entraînement		Pas
Nombre de dents du pignon d'entraînement		6 (pignon d'entraînement 3/8) 7 (pignon d'entraînement 0,325)

## ACCESSOIRES

### Combinaisons de guide-chaînes et de chaînes

Les accessoires de coupe ci-dessous sont homologués pour le produit.

Guide-chaîne				Chaîne	
Longueur, cm (po)	Hauteur, mm (po)	Jauge, mm (po)	Rayon max. du nez	Type	Longueur, maillons entraîneurs (pce)
33 (13)	8,25 (0,325)	1,3 (0,050)	10T	Husqvarna H30	56
38 (15)	8,25 (0,325)				64
35 (14)	9,52 (3/8)		7T	Husqvarna H37	52
40 (16)	9,52 (3/8)				56
45 (18)	9,52 (3/8)				62

### Combinaisons lime de chaîne de sciage et chaîne de sciage

Chaîne					
Type de chaîne	Lime ronde	Angle de la platine latérale	Angle de la platine supérieure	Angle de guidage de la lime	Réglage de la jauge de profondeur
H30	4,8 mm / 3/16 po	60°	30°	10°	0,65 mm / 0,025 po
H37	4,0 mm / 5/32 po	60°	30°	0°	0,65 mm / 0,025 po

---

## CONTENU DE LA DÉCLARATION DE CONFORMITÉ DE LA CE

---

Nous, Husqvarna AB, SE 561 82 Huskvarna, SUÈDE, déclarons sous notre responsabilité exclusive que le produit représenté :

Description	Tronçonneuse à essence
Marque	Husqvarna
Plate-forme / Type / Modèle	Plate-forme P02138HV, représentant le modèle 120 Mark II
Lot	Numéro de série à partir de 2018

est entièrement conforme à la réglementation et aux directives de l'UE suivantes :

Directive/Réglementation	Description
2006/42/EC	« relative aux machines »
2014/30/UE	« relative à la compatibilité électromagnétique »,
2000/14/EC	« relative au bruit extérieur »

Les normes harmonisées et/ou les spécifications techniques appliquées sont comme suit : EN ISO 12100, EN ISO 11681-1, CISPR 12, ISO 14982

Conformément à la directive 2000/14/CE, Annexe V, les valeurs déclarées saines sont stipulées dans la section Données techniques de ce manuel et dans la Déclaration de Conformité signée de la CE.

TÜV Rheinland LGA Products GmbH, Organisme notifié pour les machines (notifié sous 0197), Tillystraße 2 - 90431 Nuremberg, Allemagne, a procédé à des tests de type CE conformément à l'article 12, point 3b de la directive 2006/42/CE.

Le certificat de test de ce type, conformément à l'Annexe IX, comme indiqué dans la Déclaration de conformité signée, s'applique à l'ensemble des sites de fabrication et des pays d'origine, comme indiqué sur le produit.

Cette tronçonneuse est conforme à l'exemplaire ayant subi le test de type européen.

---

## Sadržaj

---

UVOD.....	171	PRIJEVOZ.....	181
SIGURNOST.....	172	POHRANA.....	181
SASTAVLJANJE.....	175	TEHNIČKI PODACI.....	181
RAD.....	176	DODACI.....	183
ODRŽAVANJE.....	178	SADRŽAJ EUROPSE DEKLARACIJE O USKLAĐENOSTI.....	183

---

## UVOD

---

### Korisnički priručnik

Prvi jezik u ovom korisničkom priručniku je engleski. Korisnički priručnici na drugim jezicima prijevod su iz engleskog jezika.

### Pregled

(Sl. 1 )

1. Pločica s brojem proizvoda i serijskim brojem
2. Blokada okidača
3. Prednja ručka
4. Pokrov cilindra
5. Kočnica lanca i štitnik prednje ruke
6. Prigušivač
7. Nazubljeni odbojnik
8. Vršni lančanik vodilice
9. Štitnik desne ruke
10. Okidač
11. Poklopac zupčanika
12. Hvatač lanca
13. Vodilica
14. Lanac pile
15. Ručica za uključivanje
16. Spremnik ulja za lanac
17. Starter
18. Spremnik za gorivo
19. Regulator čoka
20. Stražnja ručka
21. Prekidač za zaustavljanje
22. Vijak za podešavanje praznog hoda
23. Pumpica za gorivo
24. Naljepnica s informacijama i upozorenjem
25. Vijak za zatezanje lanca
26. Pokrov vodilice
27. Višenamjenski alat
28. Dvotaktno ulje
29. Priručnik za rukovatelja (EPA)

### Simboli na proizvodu

- (Sl. 2 ) Upozorenje
- (Sl. 3 ) Pročitajte ovaj priručnik
- Upotrebljavajte odobrenu zaštitu za glavu, zaštitu sluha i zaštitu za oči
- (Sl. 4 )
- (Sl. 5 ) Upotrebljavajte odobrene zaštitne rukavice
- (Sl. 6 ) Proizvod ispunjava mjerodavne direktive EC
- (Sl. 7 ) Razina buke
- Kočnica lanca, nije aktivirana (lijevo).
- (Sl. 8 ) Kočnica lanca, aktivirana (desno)
- (Sl. 9 ) Poluga čoka
- (Sl. 10 ) Pumpica za gorivo
- (Sl. 11 ) Punjenje goriva
- (Sl. 12 ) Punjenje ulja za lanac
- Ovaj proizvod ispunjava mjerodavne direktive EAC
- (Sl. 13 )
- Ovaj proizvod ispunjava mjerodavne direktive u Ukrajini
- (Sl. 14 )
- (Sl. 15 ) Jačina zvuka
- (Sl. 16 ) Čvrsto držite proizvod s obje ruke
- (Sl. 17 ) Nemojte ga upotrebljavati s jednom rukom
- (Sl. 18 ) Izbjegavajte kontakt s vrhom vodilice
- (Sl. 19 ) Pazite na povratni trzaj

Ovaj proizvod ispunjava mjerodavne direktive za elektromagnetsku usklađenost u (Sl. 20) Australiji i Novom Zelandu.

**Napomena:** Drugi simboli/naljepnice na proizvodu odnose se na zahtjeve za certifikaciju na drugim tržišnim područjima.

## Pouzdanost proizvoda

Sukladno zakonima o pouzdanosti proizvoda nismo odgovorni za oštećenja uzrokovana našim proizvodima ako je:

- proizvod nepravilno popravljen.
- proizvod popravljen dijelovima koje nije proizveo proizvođač ili nemaju odobrenje proizvođača.
- proizvod ima dodatnu opremu koje nije proizveo proizvođač ili nemaju odobrenje proizvođača.
- proizvod nije popravljen u odobrenom servisnom centru ili kod ovlaštene osobe.

# SIGURNOST

## Sigurnosne definicije

Definicije u nastavku prikazuju razinu ozbiljnosti svake signalne riječi.



**UPOZORENJE:** Ozljede osoba.



**OPREZ:** Oštećenje proizvoda.

**Napomena:** Informacije olakšavaju korištenje proizvoda.

## Opće sigurnosne upute

- Proizvod koristite ispravno. Nepravilno korištenje može uzrokovati ozljede ili smrt. Proizvod koristite samo za zadatke iz ovog priručnika. Proizvod nemojte koristiti za druge zadatke.
- Pročitajte, usvojite i poštujujte upute iz ovog priručnika. Poštujujte sigurnosne simbole i sigurnosne upute. Ako operater ne poštuje upute i simbole, može doći do ozljeda, oštećenja ili smrti.
- Čuvajte ovaj priručnik. Koristite upute za sastavljanje, korištenje i održavanje proizvoda. Koristite upute za pravilnu ugradnju priključaka i dodatne opreme. Koristite isključivo odobrene priključke i dodatnu opremu.
- Nemojte koristiti oštećen proizvod. Pridržavajte se rasporeda održavanja. Provodite samo radove održavanja za koje su u priručniku navedene upute. Svi drugi radovi održavanja moraju se provesti u odobrenom servisnom centru.
- Priručnik ne može sadržavati sve situacije koje mogu nastati prilikom korištenja proizvoda. Budite pažljivi i razumni. Nemojte koristiti ili održavati proizvod ako niste sigurni u situaciju. Informacije zatražite od stručnjaka za proizvod, serviseru ili odobrenog servisnog centra.
- Prije sastavljanja, pohrane ili održavanja proizvoda odspojite kabel svjećice.

- Nemojte koristiti proizvod ako su mu promijenjene početne specifikacije. Nemojte mijenjati dio proizvoda bez odobrenja proizvođača. Koristite isključivo dijelove s odobrenjem proizvođača. Nepravilno održavanje može uzrokovati ozljede ili smrt.
- Nemojte udisati pare motora. Dugotrajno udisanje ispušnih para motora, isparavanja ulja za lanac i piljevine može predstavljati zdravstveni rizik.
- Proizvod nemojte pokretati u zatvorenom prostoru ili u blizini zapaljivog materijala. Ispušne pare su vruće i mogu sadržavati vruće iskre koje mogu uzrokovati požar. Bez dostatnog protoka zraka može doći do ozljeda ili smrti zbog gušenja ili ugljičnog monoksida.
- Proizvod tijekom rada proizvodi elektromagnetsko polje. Elektromagnetsko polje može oštetiti medicinske implantate. Prije uporabe proizvoda obratite se liječniku ili proizvođaču medicinskog implantata.
- Djeci nemojte dopustiti korištenje proizvoda.
- Osobama koje nisu upoznate s uputama nemojte dopustiti korištenje proizvoda.
- Osobu smanjenih fizičkih ili mentalnih sposobnosti obavezno nadzirite tijekom uporabe proizvoda. Cijelo vrijeme mora biti prisutna odgovorna odrasla osoba.
- Proizvod zaključajte u prostor u koji je djeci i neovlaštenim osobama onemogućen pristup.
- Proizvod može izbacivati predmete i uzrokovati ozljede. Poštujujte sigurnosne upute kako biste smanjili opasnost od ozljede i smrti.
- Nemojte se udaljavati od proizvoda s uključenim motorom. Zaustavite motor i provjerite je li lanac zaustavljen.
- Za nezgode je odgovoran korisnik proizvoda.
- Prije korištenja proizvoda provjerite jesu li njegovi dijelovi neoštećeni.
- Pogledajte nacionalne ili lokalne zakone. Njima u određenim uvjetima može biti spriječeno ili ograničeno korištenje proizvoda.

## Sigurnosne upute za rad

- Neprestana ili redovita upotreba proizvoda može uzrokovati bolest "bijelih prstiju" ili slične medicinske

probleme uzrokovane vibracijama. Ako proizvod upotrebljavati neprestano ili redovito, pregledavajte stanje ruku i prstiju. Ako na rukama ili prstima dođe do promjene boje te ako osjetite bolove, trnce ili otupljenost, prekinite s radom i odmah se obratite liječniku.

- Prije korištenja proizvoda provjerite je li u potpunosti sastavljen.
- Proizvod može uzrokovati izbacivanje predmeta koji mogu ozlijediti oči. Prilikom korištenja proizvoda obavezno koristite odobrenu zaštitu za oči.
- Budite pažljivi, tijekom rada proizvodu se može približiti dijete bez vašeg znanja.
- Proizvod nemojte koristiti ako se u radnom području zadržavaju druge osobe. Zaustavite proizvod ako druga osoba pristupi radnom području.

(Sl. 21 )

- Obavezno kontrolirajte proizvod.
- Proizvodom se mora rukovati dvjema rukama. Proizvodom nemojte rukovati jednom rukom. Rukovanje jednom rukom može uzrokovati ozbiljne ozljede korisnika, radnika, promatrača ili kombinacije navedenih osoba.
- Prednju ručku držite lijevom rukom, a stražnju ručku desnom. Proizvod držite na desnoj strani tijela.

(Sl. 22 )

- Proizvod nemojte upotrebljavati kada ste izmoreni, bolesni ili pod utjecajem alkohola ili drugih opijata.
- Nemojte koristiti proizvod ako ne možete primiti pomoć u slučaju nezgode. Prije pokretanja upozorite druge osobe kako ćete upotrebljavati proizvod.
- Nemojte se okretati s proizvodom prije nego provjerite ima li drugih osoba ili životinja u sigurnosnom području.
- Prije početka iz radnog područja uklonite sav neželjeni materijal. Ako lanac udari u predmet, može ga izbaciti i uzrokovati ozljedu ili oštećenje. Neželjeni materijal može se omotati oko lanca i tako ga oštetiti.
- Proizvod nemojte koristiti po lošem vremenu kao što je magla, kiša, jaki vjetar, grmljavina ili drugi nepovoljni vremenski uvjeti. Loše vrijeme može uzrokovati opasne uvjete, primjerice klizave površine.
- Provjerite slobodu kretanja i radite u stabilnom položaju.
- Prilikom rada s proizvodom osigurajte se od pada. Tijekom rada s proizvodom nemojte ga naginjati.
- Proizvod obavezno držite s obje ruke. Prednju ručku držite lijevom rukom, a stražnju ručku desnom. Proizvod držite na desnoj strani tijela.
- Ako je regulator čoka u položaju čoka pri pokretanju motora, lanac se počinje okretati.
- Prije prenošenja proizvoda zaustavite motor.
- Proizvod nemojte spuštati uz uključeni motor.
- Prije uklanjanja nepoželjnog materijala s proizvoda zaustavite motor. Prije uklanjanja rezanog materijala pričekajte na zaustavljanje lanca pile.

- Proizvod nemojte upotrebljavati na stablu. Upotreba proizvoda na stablu može uzrokovati osobne ozljede.

(Sl. 23 )

- Radi smanjenja opasnosti od dodira lanca motorne pile, pri pokretanju mora biti uključena kočnica lanca.

(Sl. 24 )

- Izbjegavajte povratni trzaj, klizanje, odskakivanje i ispuštanje koji mogu uzrokovati ozbiljne ozljede.
- Poštujte sva sigurnosna pravila kako biste izbjegli povratni trzaj i sve druge sile koje mogu uzrokovati ozbiljne ozljede.
- Redovito podešavajte lanac motorne pile kako ne bi popustio. Loše zategnuti lanac motorne pile može iskočiti i uzrokovati ozbiljne ozljede ili smrt.
- Nemojte rušiti stabla nepravilnim postupkom. To može dovesti do ozljeda, kontakta s kabelima ili oštećenja imovine.
- Korisnik motorne pile treba se držati uzdignute strane terena jer je vjerojatno kotrljanje ili klizanje srušenog stabla nizbrdo.

(Sl. 25 )

- Prije početka piljenja isplanirajte i očistite stazu za uzmak. Staza za uzmak treba se protezati unatrag i dijagonalno od očekivanog pravca rušenja.

(Sl. 26 )

- Prije prenošenja proizvoda između stabala uvijek zaustavite motor.
- Zauzimate dobar stav i ravnomjerno raspodijelite težinu.

(Sl. 27 )

- Uvijek osigurajte dobro uporište i proizvod upotrebljavajte samo na čvrstim, sigurnim i ravnim podlogama. Klizave ili nestabilne podloge poput ljestvi mogu uzrokovati gubitak ravnoteže ili kontrole.

(Sl. 28 )

## **Povratni trzaji, klizanje, poskakivanje i ispadanje**

Na sigurno upravljanje proizvodom mogu utjecati različite sile.

- **Klizanje** opisuje klizanje ili brzi prijelaz vodilice preko drva.
- **Poskakivanje** znači da se vodilica podiže s drva pa ga zatim opetovano dotiče.
- **Ispadanje** opisuje pad proizvoda nakon izvođenja reza. Lanac u pokretu tada može dodirnuti dio tijela ili druge predmete te prouzročiti ozljede i oštećenje.
- **Povratni trzaj** znači da se kraj vodilice nakon dodirivanja predmeta iznenada pomiče unatrag, nagore ili prema naprijed. Do povratnog trzaja dolazi i kada se drvo stisne pa priklješti lanac pile tijekom piljenja. Do gubitka kontrole nad proizvodom može doći uslijed kontakta s predmetom u drvu.

(Sl. 29 )

- **Okretni povratni trzaj** može nastati kada lanac u pokretu dođe u dodir s predmetom na vrhu vodilice. To može dovesti do ukleštenja lanca u predmetu i njegova trenutnog zaustavljanja. Ishod je vrlo brza, povratna reakcija koja vodilicu pomiče gore i unatrag u smjeru korisnika.

(Sl. 30)

(Sl. 31)

- **Povratni trzaj ukleštenjem** može nastati ako se lanac pile iznenada zaustavi tijekom piljenja. Drvo se zatvori i stisne lanac pile u pokretu duž vrha vodilice. Iznenadno zaustavljanje lanca stvara povratnu silu i uzrokuje kretanje proizvoda u smjeru suprotnom od okretanja lanca. Proizvod se pomiče unatrag u smjeru korisnika.

(Sl. 32)

- **Povlačenje** može nastati kada se lanac pile u pokretu iznenada zaustavi ako dodirne predmet u drvu duž donje strane vodilice. Iznenadno zaustavljanje povlači proizvod naprijed od rukovatelja, zbog čega rukovatelj lako može izgubiti kontrolu nad proizvodom.

(Sl. 33)

Prije rukovanja proizvodom morate razumjeti različite opisane sile i znati kako ih spriječiti.

### Spriječavanje povratnih trzaja, klizanja, poskakivanja i ispadanja

- Dok je motor u pogonu, obavezno čvrsto držite proizvod. Desnu ruku držite na stražnjoj ručki, a lijevu ruku na prednjoj. Čvrsto držite palcem i prstima oko ručke. Ne popuštajte stisak.
- Zadržite kontrolu nad proizvodom od početka do kraja piljenja i nakon što stablo padne na tlo. Pazite da vas na kraju piljenja proizvod svojom masom iznenada ne povuče prema dolje. (Sl. 34)
- U području u kojem pilite ne smije biti nikakvih prepreka. Tijekom rada s proizvodom vrhom vodilice nemojte dodirivati deblo, grane ili druge zapreke.
- Pilite uz visoki broj obrtaja motora.
- Nemojte dosezati ili rezati iznad visine ramena. (Sl. 35)
- Poštujte upute proizvođača za oštrenje i održavanje motorne pile.
- Koristite samo zamjenske vodilice i lance koje je odobrio proizvođač.
- Opasnost od povratnog trzaja veća je ako je postavljena mjerača dubine prevelika.

### Oprema za osobnu zaštitu

- Prilikom korištenja proizvoda obavezno koristite prikladnu osobnu zaštitnu opremu. Oprema za osobnu zaštitu ne poništava opasnost od ozljede. Oprema za osobnu zaštitu smanjuje ozbiljnost ozljede u slučaju nezgode.
- Općenito, odjeća treba biti uska, no ne smije smanjivati slobodu kretanja.

- Koristite odobrenu zaštitnu kacigu.
- Tijekom korištenja stroja obavezno koristite odobrenu zaštitu sluha. Dugotrajna izloženost buci može uzrokovati gubitak sluha.
- Upotrebite zaštitne naočale ili vizir za lice kako biste smanjili opasnost od ozljeda odbačenim predmetima. Proizvod velikom silom može odbaciti objekte poput drvenog iverja, malih komada drva itd. Ovo može prouzročiti ozbiljne ozljede, posebice ozljede oči.
- Koristite rukavice sa zaštitom od motorne pile.
- Upotrebljavajte hlače sa zaštitom od motorne pile.
- Upotrebljavajte čizme sa zaštitom od motorne pile, čeličnom kapicom za zaštitu prstiju i neklizajućim potplatima.
- U blizini obavezno imajte kutiju prve pomoći.
- Iz prigušivača, vodilice i lanca ili drugog izvora mogu izlaziti iskre. Obavezno na raspolaganju imajte alate za gašenje požara i lopatu kako biste mogli spriječiti šumske požare.

### Zaštitni uređaji na proizvodu

- Redovno održavajte proizvod.
  - Time produljujete vijek trajanja proizvoda.
  - Također smanjujete opasnost od nezgoda.

Redovno pregledavajte proizvod kod odobrenog trgovca ili odobrenog servisera radi provedbe prilagodbi ili popravaka.

- Nemojte koristiti uređaj s oštećenom zaštitnom opremom. Ako je proizvod oštećen, obratite se odobrenom servisnom centru.

### Prekidač za zaustavljanje

Pokrenite motor. Provjerite zaustavlja li se motor kada prekidač za zaustavljanje postavite u položaj za zaustavljanje.

### Provjera blokade okidača gasa

1. Regulator (B) mora biti blokiran u praznom hodu prilikom otpuštanja blokade regulatora (A). (Sl. 36)
2. Pritisnite blokadu okidača (A) i provjerite vraća li se po otpuštanju u početni položaj.
3. Pritisnite okidač (B) i provjerite vraća li se po otpuštanju u početni položaj.
4. Pokrenite motor i aktivirajte punu brzinu.
5. Otpustite okidač i provjerite je li se lanac pile zaustavio.
6. Ako se lanac pile okreće dok je motor u praznom hodu, pregledajte vijak za podešavanje praznog hoda rasplinjača.

### Štitnik

Štitnik sprječava izbacivanje predmeta u smjeru korisnika. Štitnik također sprječava slučajan dodir rukovatelja i lanca pile.

- Provjerite je li štitnik odobren za rad zajedno s proizvodom.
- Proizvod nemojte upotrebljavati bez štitnika.
- Pripazite da štitnik nije oštećen. Zamijenite štitnik ako je istrošen ili ima pukotine.
- Prije dugotrajnog skladištenja ispraznite spremnik za gorivo. Poštujte lokalne zakone o lokaciji zbrinjavanja goriva.
- Očistite proizvod prije dugotrajnog skladištenja.
- Prije skladištenja stroja uklonite kabel svjećice kako biste spriječili slučajno pokretanje motora.

## Sigurnost pri rukovanju s gorivom

- Nemojte pokretati proizvod ako u njemu ima goriva ili motornog ulja. Uklonite neželjeno gorivo/ulje i pričekajte na sušenje proizvoda. Uklonite neželjeno gorivo iz proizvoda.
- Ako gorivo proljeće po odjeći, odmah ju zamijenite.
- Gorivu nemojte dopustiti kontakt s tijelom jer može uzrokovati ozljede. Ako dođe do kontakta goriva s tijelom, sapunom i vodom isperite gorivo.
- Nemojte pokretati motor ako ste po proizvodu ili tijelu proliili gorivo.
- Nemojte pokretati proizvod ako motor propušta. Redovito pregledavajte ima li na motoru propuštanja.
- Budite pažljivo s gorivom. Gorivo je zapaljivo, a pare su eksplozivne i mogu uzrokovati ozljede i smrt.
- Nemojte udisati pare goriva, one mogu uzrokovati ozljede. Osigurajte dovoljan protok zraka.
- U blizini goriva ili motora nemojte pušiti.
- U blizini goriva ili motora nemojte stavljati vruće predmete.
- Nemojte ulijevati gorivo kada je motor uključen.
- Prije ulijevanja goriva provjerite je li motor hladan.
- Prije ulijevanja goriva polako otvorite čep spremnika goriva i pažljivo ispuštite tlak.
- Gorivo u motor nemojte ulijevati u zatvorenom prostoru. Nedovoljan protok zraka može uzrokovati ozljede ili smrt zbog gušenja ili trovanja ugljičnim monoksidom.
- Pažljivo zategnite čep spremnika goriva kako ne biste uzrokovali požar.
- Prije pokretanja proizvod odmaknite najmanje 3 m (10') od mjesta punjenja spremnika.
- U spremnik za gorivo nemojte uliti previše goriva.
- Provjerite ima li propuštanja pri pomicanju proizvoda ili posude za gorivo.
- Proizvod ili posudu za gorivo nemojte stavljati u blizinu otvorenog plamena, iskri ili lampica. U prostoru za skladištenje ne smije biti otvorenog plamena.
- Za prijenos ili skladištenje goriva koristite isključivo odobrene posude.

## Sigurnosne upute za održavanje

- Iskopčajte svjećicu prije postupaka održavanja na proizvodu, što se ne odnosi na podešavanje rasplinjača.
- Servisiranje proizvoda uvijek prepustite ovlaštenom distributeru, što se ne odnosi na zadatke u odjeljku **ODRŽAVANJE na stranici 178**.
- Provjerite zaustavlja li se lanac po otpuštanju regulatora gasa.
- Ručke moraju biti suhe, čiste i bez mješavine goriva ili ulja.
- Poklopci i učvršćivači moraju biti pravilno zategnuti.
- Zamjenskim dijelovima koji nisu odobreni i uklanjanjem sigurnosnih uređaja možete oštetiti proizvod. To može dovesti i do ozljeda rukovatelja i promatrača. Koristite isključivo preporučenu dodatnu opremu i zamjenske dijelove. Nemojte provoditi preinake na proizvodu.
- Lanac pile mora biti oštar i čist radi sigurnih i visokih performansi.
- Pridržavajte se uputa za podmazivanje i zamjenu dodatne opreme.
- Pregledajte ima li na proizvodu oštećenih dijelova. Prije daljnje upotrebe proizvoda provjerite pravilno funkcioniranje oštećenog štitnika ili dijela. Pregledajte ima li slomljenih ili nepravilno poravnatih dijelova ili pak dijelova čije je kretanje zapriječeno. Provjerite prisutnost drugih uvjeta koji mogu utjecati na funkcioniranje proizvoda. Provjerite je li proizvod pravilno sastavljen. Ovlašteni distributer mora popraviti ili zamijeniti štitnik ili neki drugi oštećeni dio, osim ako je drugačije opisano u uputama za rukovanje.
- Dok proizvod nije u upotrebi, držite ga u suhom, povišenom ili zaključanom prostoru podalje od djece.
- Prilikom transporta ili skladištenja za premještanje proizvoda koristite poklopac ili kutiju za vodilicu.
- Nemojte koristiti otpadno ulje. Otpadno ulje može biti opasno za vas te oštetiti proizvod ili ugroziti okoliš.

---

## SASTAVLJANJE

---



**UPOZORENJE:** Prije sklapanja proizvoda s razumijevanjem pročitajte poglavlje o sigurnosti.

---

### Sastavljanje vodilice i lanca pile

1. Prednji štitnik za ruku pomaknite u smjeru prednje ručke kako biste isključili kočnicu lanca.
2. Preklopite kotačić van u otvoreni položaj. (Sl. 37 )
3. Okrenite kotačić u smjeru suprotnom od kazaljke na satu kako biste otpustili pokrov vodilice. (Sl. 38 )

4. Uklonite kotačić (A) i pokrov zupčanika. Skinite prijenosni štitičnik ako je ugrađen. (Sl. 39 )
5. Postavite vodilicu preko vijaka vodilice. Vodilicu postavite u krajnji stražnji položaj. Postavite lanac preko pogonskog zupčanika i uvedite ga u tor na vodilici. Započnite na gornjoj strani vodilice. (Sl. 40 )
6. Rubovi reznih članaka na gornjoj strani vodilice obavezno moraju biti okrenuti prema naprijed.
7. Sklopite poklopac zupčanika pa klin za podešavanje lanca umetnite u otvor na vodilici. Uvjerite se da su pogonske karike lanca pravilno postavljene na pogonski zupčanik. Lanac pile usto mora biti pravilno zakvačen u tor na vodilici. (Sl. 41 )
8. Zategnite lanac pile okretanjem kotačića prema dolje (+) Lanac zatežite dok ne prestane visjeti ispod vodilice. (Sl. 42 )
9. Lanac pile pravilno je zategnut kada ne visi s vodilice, no ipak ga možete lako okretati rukom.
10. Podignite vrh vodilice i okrenite kotačić u smjeru kazaljke na satu kako biste ga zategnuli. (Sl. 43 )
  - Nakon postavljanja novog lanca pile i sve dok se lanac pile ne uhoda često pregledavajte zategnutost lanca.

- Redovito provjeravajte zategnutost lanca. Pravilna zategnutost lanca pridonosi dobrim rezultatima rezanja i dugom vijeku upotrebe.

## Ponovno postavljanje kočnice lanca

Ako se pokrov spojke nenamjerno skine uz aktiviranu kočnicu lanca, morate otpustiti kočnicu lanca kako biste pokrov spojke mogli ponovno postaviti bez spajanja s bubnjem spojke.



**OPREZ:** opruga kočnice lanca je zategnuta. Budite pažljivi pri ponovnom postavljanju kočnice lanca.

**Napomena:** Nemojte držati kočionu traku dok ju pokušavate ponovno postaviti.

1. Poravnajte utore na alatu za vodilicu tako da ih možete postaviti na okretni članak kočnice.(Sl. 44 )
2. Za ponovno postavljanje kočnice članak do zaustavljanja okrećite u smjeru kazaljke na satu. Ako je kočnica lanca deaktivirana, prednji članak nalazi se u silaznom zakrenutom položaju.(Sl. 45 )(Sl. 46 )

## RAD



**UPOZORENJE:** Prije korištenja proizvoda pročitajte i usvojite poglavlje o sigurnosti.

### Korištenje goriva



**OPREZ:** Proizvod ima dvotaktni motor. Koristite mješavinu benzina i dvotaktnog motornog ulja. U mješavini koristite ispravnu količinu ulja. Nepravilan omjer benzina i ulja može oštetiti motor.

### Omjer mješavine goriva

Omjer mješavine goriva za benzin i dvotaktno motorno ulje iznosi 50:1 (2 %)

Benzin	Dvotaktno motorno ulje
1 amer. gal.	77 ml (2,6 oz)
1 UK gal.	95 ml (3,2 oz)
5 l	100 ml (3,4 oz)

### Izrada mješavine goriva

1. Utvrdite odgovarajuću količinu benzina i motornog ulja (omjer mješavine 50:1). Nemojte praviti mješavine goriva za razdoblja dulja od 30 dana. Pogledajte *Korištenje goriva na stranici 176*.

2. Pola količine benzina dodajte u čisti spremnik za gorivo s ventilom protiv prolijevanja.



**OPREZ:** Nemojte koristiti benzin s koncentracijom etanola višom od 10% (E10). Tako možete oštetiti proizvod.



**OPREZ:** Nemojte koristiti benzin s oktanskim brojem manjim od 90 RON (87 AKI). Tako možete oštetiti proizvod.

**Napomena:** Ako proizvod koristite redovito i pri visokom broju okretaja, koristite benzin s višim oktanskim brojem.

3. U spremnik za gorivo dodajte cijelu količinu dvotaktnog motornog ulja.



**OPREZ:** Uvijek koristite zrakom hladeno dvotaktno motorno ulje visoke kvalitete. Druga ulja mogu oštetiti proizvod.

4. Zamiješajte mješavinu kako biste pomiješali sastojke.
5. Preostalo količinu benzina dodajte u spremnik za gorivo.
6. Zamiješajte mješavinu kako biste pomiješali sastojke.
7. Spremnik za gorivo proizvoda napunite mješavinom goriva. Pogledajte *Korištenje goriva na stranici 176*.



## Punjenje spremnika za gorivo

1. Mješavina goriva mora biti u odgovarajućem omjeru i smještena u spremnik za gorivo s ventilom protiv prolijevanja.
2. Ako se gorivo prolje po spremniku, obrišite ga i pustite da se spremnik osuši.
3. Područje uz čep spremnika goriva mora biti čisto.
4. Uklonite čep spremnika za gorivo.
5. Posude za gorivo protresite prije uljevanja mješavine u spremnik za gorivo.
6. Poklopac spremnika za gorivo vratite na mjesto.

## Podmazivanje lanca pile

Proizvod ima automatski sustav podmazivanja. Spremnik ulja za lanac i spremnik za gorivo oblikovani su tako da se gorivo potroši prije ulja za lanac. Za ovu sigurnosnu značajku nužno je upotrebljavati odgovarajuće ulje za lanac i poštivati upute.

1. Koristite ulje za lanac na bazi biljnih ulja i standardno ulje za lanac.
2. Prostor oko poklopca spremnika s uljem za lanac pile mora biti čist.
3. Skinite poklopac s spremnika ulja za lanac pile.
4. Spremnik ulja za lanac pile napunite preporučenim uljem za lanac.
5. Vratite poklopac na spremnik s uljem.

## Pokretanje i zaustavljanje

### Prije pokretanja motora

- Pregledajte nedostaju li na proizvodu dijelovi te ima li oštećenih, nepričvršćenih ili istrošenih dijelova.
- Pregledajte matice i vijke.
- Pregledajte filter zraka.
- Provjerite ispravnost blokade okidača i okidača.
- Provjerite ispravnost rada prekidača za zaustavljanje.
- Pregledajte ima li na proizvodu ispuštanja goriva.
- Provjerite oštrinu i zategnutost lanca pile.

### Pokretanje hladnog motora

1. Štitnik prednje ruke pomaknite naprijed kako biste aktivirali kočnicu lanca. (Sl. 47)
2. 6 puta pritisnite pumpicu za gorivo. (Sl. 48)
3. Regulator čoka pomaknite u položaj punog čoka. (Sl. 49)
4. Kućište proizvoda lijevom rukom pritisnite uz tlo. Za stabilizaciju motorne pile stavite desnu nogu na stražnju ručku. Polako povlačite ručicu užeta za pokretanje dok ne osjetite otpor. Potom 5 puta snažno povucite ručicu užeta za pokretanje. (Sl. 50)

**Napomena:** Tijekom pokretanja motora nemojte povlačiti okidač.

5. Regulator čoka pomaknite u položaj bez čoka.
6. Povlačite ručicu užeta pokretača do pokretanja motora. Nakon pokretanja pričekajte 60 s prije povlačenja okidača.



**OPREZ:** Uže pokretača nemojte povlačiti dok se ne zaustavi. Nemojte ispuštati potpuno izvučeno uže pokretača. Uže pokretača ispuštajte polako. Pridržavajte se ovih uputa kako biste spriječili oštećenje motora.

7. Prednji štitnik za ruku povucite u smjeru prednje ručke kako biste isključili kočnicu lanca.
8. Stražnju ručku držite desnom rukom, a prednju ručku lijevom.
9. Možete koristiti proizvod.

### Pokretanje zagrijanog motora

1. Štitnik prednje ruke pomaknite naprijed kako biste aktivirali kočnicu lanca.
2. 6 puta pritisnite pumpicu za gorivo.
3. Regulator čoka pomaknite u položaj punog čoka.
4. Regulator čoka pomaknite u položaj bez čoka.
5. Kućište proizvoda lijevom rukom pritisnite uz tlo. Za stabilizaciju motorne pile stavite desnu nogu na stražnju ručku. Polako povlačite ručicu užeta za pokretanje dok ne osjetite otpor. Potom snažno povlačite ručicu užeta pokretača do pokretanja motora. (Sl. 51)

**Napomena:** Tijekom pokretanja motora nemojte povlačiti okidač.



**OPREZ:** Uže pokretača nemojte povlačiti dok se ne zaustavi. Nemojte ispuštati potpuno izvučeno uže pokretača. Uže pokretača ispuštajte polako. Pridržavajte se ovih uputa kako biste spriječili oštećenje motora.

6. Štitnik prednje ruke povucite u smjeru prednje ručke kako biste isključili kočnicu lanca.
7. Stražnju ručku držite desnom rukom, a prednju ručku lijevom.
8. Možete koristiti proizvod.

### Pokretanje motora kada je gorivo prevruće

Ako se proizvod ne može pokrenuti, možda je gorivo prevruće.

**Napomena:** Uvijek koristite novo gorivo i skratite rad u toplom vremenu.

1. Proizvod stavite na hladno mjesto podalje od izravnog Sunčeva svjetla.
2. Pustite da se proizvod hladi najmanje 20 minuta.

3. Pumpicu za gorivo opetovano pritišćite 10 do 15 sekundi.
4. Primijenite postupak za pokretanje hladnog motora. Pogledajte *Pokretanje hladnog motora na stranici 177.*

### Isključivanje motora

- Za zaustavljanje motora pritisnite prekidač za zaustavljanje.

---

**Napomena:** Prekidač za zaustavljanje automatski se vraća u početni položaj.

---

## Upotreba šiljastog branika

Šiljasti branik sprječava povratne trzaje i drži drvo tijekom piljenja. Šiljasti branik služi kao osovinu između tijela motora i vodilice.

1. Donji kraj šiljastog branika postavite na odgovarajuću širinu pregiba.
2. Lijevom rukom pritisnite prednju ručku dok stražnju ručku podižete desnom rukom.
3. Pilite dok ne postignete odgovarajuću širinu pregiba.

---

**Napomena:** Pregib mora biti jednake debljine.

---

4. Otpilite više od polovice promjera, a zatim u prepiljeni rez stavite klin za rušenje.

## Rušenje stabla

1. Sa stabla uklonite prljavštinu, kamenje, labavu koru, čavle, klamerice i žice.
2. Zasijecite 1/3 promjera stabla, okomito na smjer rušenja.(Sl. 52 )
3. Potom izrežite donji vodoravni urez. Tako sprječavate priklještenje lanca pile ili vodilice pri drugom zasjeku.
4. Rez za rušenje (X) napravite najmanje 50 mm (2") više od vodoravnog zasjeka. Rez za rušenje treba biti paralelan s vodoravnim zasjekom, s dovoljno drva za pregib. Nemojte prerezati pregib. Pregib

sprječava izvijanje stabla i rušenje u pogrešnom smjeru.(Sl. 53 )(Sl. 54 )

5. Kako se rez za rušenje bliži pregibu, stablo počinje padati. Stablo mora pasti u odgovarajućem smjeru. Ne smije se prevrnuti unatrag i priklještitu pilu. Kako biste to spriječili, prestanite piliti prije no što dovršite rez za rušenje. Drvenim, plastičnim ili aluminijским klinovima otvorite rez i oborite stablo u željenom pravcu rušenja.(Sl. 55 )
6. Kada se stablo počne rušiti, izvadite proizvod iz reza, zaustavite motor, spustite proizvod i potom se povucite planiranim putem povlačenja. Pazite na padanje grana iznad glave i na uporište.(Sl. 56 )

## Piljenje grana sa stabla

1. Koristite veće grane kako biste deblo podigli s tla.
2. Grančice uklanjajte jednim rezom.(Sl. 57 )
3. Nategnute grane režite od dna prema vrhu kako biste spriječili priklještenje lanca pile ili vodilice.

## Rezanje debla



**OPREZ:** Lancem pile nemojte dodirivati tlo.

- Ako je deblo ima potporu duž cijele duljine, režite od vrha debla (trupljenje s gornje strane).(Sl. 58 )
- Ako je deblo poduprto s jedne strane, zarezite 1/3 promjera s donje strane debla (trupljenje s donje strane).(Sl. 59 )
- Ako je deblo poduprto na oba kraja, zarezite 1/3 promjera s gornje strane. Dovršite rez trupljenjem s donje strane kroz 2/3 debla kako biste se spojili s prvim rezom.(Sl. 60 )
- Ako trupljenje provodite na nagibu, uvijek zauzmite položaj viši od debla. Režite kroz deblo sve dok imate potpunu kontrolu nad proizvodom, potom smanjite pritisak rezanja pred kraj reza i čvrsto zahvatite stražnju i prednju ručku.(Sl. 61 )

---

## ODRŽAVANJE

---



**UPOZORENJE:** Prije čišćenja, popravljanja ili održavanja proizvoda pročitajte i usvojite sigurnosno poglavlje.

## Raspored održavanja

Obavezno pratite raspored održavanja. Intervali su izračunati za dnevno korištenje proizvoda. Intervali se razlikuju ako proizvod ne koristite svaki dan. Provodite samo zahvate održavanja navedene u ovom priručniku. Za radove održavanja koji nisu navedeni u ovom priručniku obratite se odobrenom servisnom centru.

## Dnevno održavanje

- Očistite vanjske površine.
- Uvjerite se u ispravnost blokade i regulatora.
- Očistite lanac pile i uvjerite se u njegovu ispravnost.(Sl. 62 )
- Pregledajte nema li oštećenja na hvataču lanca. Ako je oštećen, zamijenite hvatač lanca.(Sl. 63 )
- Dnevno okrećite vodilicu radi ravnomjernijeg trošenja.

- Provjerite je li otvor za podmazivanje u vodilici prohodan.

(Sl. 64 )

- Očistite utor vodilice.

(Sl. 65 )

- Vodilica i lanac pile moraju biti podmazani dostatnom količinom ulja.
- Pregledajte lanac pile:
  - potražite pukotine u zakovicama i člancima
  - provjerite jesu li zakovice i članci neuobičajeno istrošeni.
  - provjerite pravilnu zategnutost

Po potrebi zamijenite lanac pile.

- Naoštrite lanac pile. Pogledajte *Oštrenje lanca pile na stranici 180.*
- Pregledajte je li pogonski zupčanik previše istrošen i po potrebi ga zamijenite.

(Sl. 66 )

- Očistite dovod zraka jedinice pokretača.
- Provjerite jesu li matice i vijci zategnuti.
- Provjerite ispravnost prekidača za zaustavljanje.
- Pregledajte ne curi li gorivo iz motora, spremnika ili vodova za gorivo.
- Uvjerite se kako je lanac pile nepomičan u praznom hodu.

## Tjedno održavanje

- Provjerite ispravnost rashladnog sustava.
- Provjerite ispravnost pokretača, užeta za paljenje i povratne opruge.
- Provjerite ispravnost elemenata za ublažavanje vibracija.

(Sl. 67 )

- Isturpijajte sve strugotine s rubova vodilice.
- Očistite ili zamijenite mrežicu za hvatanje iskri na prigušivaču.

(Sl. 68 )

- Očistite vanjske površine rasplinjača te okolne površine.
- Očistite filter zraka. Ugradite novi filter zraka ako je tako onečišćen da ga nije moguće očistiti. Više informacija potražite u odjeljku *Čišćenje filtra zraka na stranici 180.*

## Mjesečno održavanje

- Provjerite pohabanost pojasa kočnice na kočnici lanca. Zamijenite kada je debljina kočione trake manja od 0,6 mm (0,024") na najistrošenijem dijelu.

(Sl. 69 )

- Pregledajte je li istrošeno središte spojke, bubanj spojke i opruga spojke.
- Očistite svjećicu. Provjerite ispravnost razmaka između elektroda.

(Sl. 70 )

- Očistite vanjske površine rasplinjača te okolne površine.
- Pregledajte filter za gorivo i crijevo za dovod goriva. Ako je potrebno, zamijenite ga.
- Ispraznite spremnik goriva.
- Ispraznite spremnik za ulje.
- Pregledajte sve kabele i priključke.

## Godišnje održavanje

- Pregledajte svjećicu.
- Očistite vanjske površine rasplinjača te okolne površine.
- Očistite rashladni sustav.
- Pregledajte mrežicu za hvatanje iskri.
- Pregledajte filter goriva.
- Pregledajte ispravnost crijeva za gorivo.
- Pregledajte sve kabele i priključke.

## Povremeno održavanje

- Neka vam ovlaštenu servisnu centar popravi ili zamijeni prigušivač nakon 50 sati rada.
- Održavanje svjeće potrebo je:
  - ako je snaga motora niska
  - ako je teško pokrenuti motor
  - ako motor ne radi ispravno u praznom hodu
- Prilikom svakog nadopunjavanja provjerite podmazivanje lanca pile. Pogledajte *Provjera podmazivanja lanca pile na stranici 180.*

## Podešavanje broja okretaja u praznom hodu

Prije podešavanja broja okretaja u praznom hodu provjerite je li filter zraka čist i je li postavljen poklopac filtra.

1. Vijak za podešavanje praznog hoda označen slovom "T" okrećite u smjeru kazaljke na satu sve dok se lanac pile ne počne vrtjeti.
2. Vijak za podešavanje praznog hoda označen slovom "T" okrećite suprotno od kazaljke na satu sve dok se lanac pile ne zaustavi.
3. Broj okretaja motora u praznom hodu mora biti manji od broja okretaja pri kojem se lanac pile počinje okretati. Broj okretaja motora u praznom hodu ispravan je kada motor radi ugladeno u svim položajima.

## Očistite mrežicu za hvatanje iskri

1. Mrežicu za hvatanje iskri očistite žičanom četkicom.

## Održavanje svjeće



**OPREZ:** Koristite preporučene svjeće. Zamjena mora biti jednaka dijelu koji je

isporučio proizvođač. Neprikladna svječića može oštetiti proizvod.

1. Ako se proizvod teško pokreće ili održava u radu, provjerite nema li na svječići nepoželjnih materijala. Za smanjenje opasnosti od nepoželjnog materijala na elektrodama svječice:
  - a) provjerite ispravnu podešenost broja okretaja u praznom hodu.
  - b) provjerite ispravnost mješavine goriva.
  - c) provjerite je li filter zraka čist.
2. Očistite zaprljanu svječicu. Provjerite ispravnost razmaka između elektroda. (Sl. 71 )
3. Svječicu zamijenite po potrebi.

## Čišćenje filtra zraka

1. Skinite poklopac filtra zraka i izvadite filter zraka.
2. Očistite filter zraka vrućom sapunicom. Filter zraka mora biti suh prije ugradnje.
3. Ako je filter zraka previše onečišćen i ne možete ga u potpunosti očistiti, zamijenite ga. Oštećeni filter zraka obavezno zamijenite.

## Oštrenje lanca pile

### Rezač

Rezni dio lanca pile naziva se rezač i sastoji se od reznog zupca (A) i mjerača dubine (B). Dubinu rezanja rezača određuje razlika visine između njih dvoje, postavka dubine rezanja (C).

(Sl. 72 )

Prilikom oštrenja reznog zupca na umu morate imati četiri važna čimbenika:

- Kut oštrenja.

(Sl. 73 )

- Kut rezanja.

(Sl. 74 )

- Položaj turpije.

(Sl. 75 )

- Promjer okrugle turpije.

(Sl. 76 )

### Oštrenje reznih zubaca

Rezne zupce oštrite pomoću okrugle turpije i mjerača razmaka. Informacije o preporučenim dimenzijama turpije i mjerača za lanac pile ugrađen na vaš proizvod potražite pod *Turpisanje i kombinacije lanca pile na stranici 183*.

1. Provjerite ispravnu zategnutost lanca pile. Nedovoljno zategnut lanac je nestabilan u bočnom položaju što otežava propisno naoštrenje.

2. Prvo naoštrite sve zupce na jednoj strani. Rezni zubac oštrite od unutarnje strane i smanjite pritisak pri povratnom pokretu.
3. Okrenite proizvod i naoštrite zubac s druge strane.
4. Isturpijajte sve zupce na istu duljinu. Kada se duljina reznog zupca smanji na 4 mm (5/32"), lanac pile je istrošen i morate ga zamijeniti. (Sl. 77 )

### Podešavanje postavke mjerača dubine

Rezne zupce naoštrite prije podešavanja postavke mjerača dubine. Pogledajte *Oštrenje reznih zubaca na stranici 180*. Nakon oštrenja reznog zupca (A) postavka mjerača dubine (C) smanjuje se. Za održavanje optimalnih rezultata rezanja mjerač dubine (B) potrebno je isturpijati kako bi se postigla preporučena postavka mjerača dubine. Pogledajte *Turpisanje i kombinacije lanca pile na stranici 183* kako biste pronašli ispravnu postavku mjerača dubine za vaš lanac.

(Sl. 78 )

(Sl. 79 )

**Napomena:** Ova preporuka pretpostavlja da duljina reznih zubaca nije pretjerano smanjena.

Plosnatom turpijom i alatom za mjerenje dubine podesite mjerač dubine.

1. Alat za mjerenje dubine postavite iznad lanca pile. Detaljne informacije o načinu primjene alata za mjerenje dubine možete pronaći na pakiranju alata za mjerenje dubine.
2. Koristite plosnatu turpiju za uklanjanje viška isturenog dijela reznog ruba. Razmak reznog alata je ispravan kada više ne postoji otpor prilikom povlačenja turpije preko mjerača.

### Zatezanje lanca pile

**Napomena:** Tijekom razdoblja uhodavanja redovito provjeravajte zategnutost lanca pile.

1. Otpustite matice vodilice kojima je pričvršćen poklopac zupčanika. Koristite kombinirani ključ. (Sl. 80 )
2. Rukom zategnite matice vodilice što je jače moguće.
3. Podignite vrh vodilice pa produžite lanac pile zatezanjem vijka za zatezanje lanca. Koristite kombinirani ključ. Lanac pile zatežite dok ne prestane visiti s donje strane vodilice. (Sl. 81 )
4. Zatežite matice vodilice kombiniranim ključem i istovremeno podižite vrh vodilice. (Sl. 82 )
5. Uvjerite se kako lanac pile možete slobodno vrtjeti rukom i kako nije ovješeno. (Sl. 83 )

## Podmazivanje rezne opreme

### Provjera podmazivanja lanca pile

Prilikom svakog nadopunjavanja provjerite podmazivanje motorne pile.

1. Pokrenite proizvod i pustite da radi pri 3/4 brzine. Vrh vodilice usmjerite prema svijetloj podlozi udaljenoj približno 20 cm (8 inča).
2. Nakon jedne minute rada na svijetloj površini pojavit će se crta od ulja.
3. Ako se nakon jedne minute ne pojavi crta od ulja, očistite kanal za ulje u vodilici. Očistite utor na rubu vodilice. Provjerite okreće li se vršni lančanik vodilice bez zastoja i nema li začepjenja u otvoru za podmazivanje. Očistite i podmažite zupčanik na vrhu.
4. Pokrenite proizvod i pustite da radi pri 3/4 brzine. Vrh vodilice usmjerite prema svijetloj podlozi udaljenoj približno 20 cm (8 inča).
5. Nakon jedne minute rada na svijetloj površini pojavit će se crta od ulja.
6. Ako se nakon jedne minute ne pojavi crta od ulja, obratite se ovlaštenom distributeru.

## PRIJEVOZ

- Prije prijevoza ispraznite spremnike goriva i ulja za lanac. Iskorištene tekućine zbrinite na propisan način.
- Tijekom prijevoza na rezni nastavak stavite poklopac vodilice. Time ćete spriječiti nehotično dodirivanje oštrog lanca pile. Ako vi ili netko drugi dodirnete oštri lanac pile koji nije u pogonu, možete se ozlijediti.
- Prije prijevoza skinite kapicu sa svjećice i aktivirajte kočnicu lanca.
- Fiksirajte proizvod kako se tijekom transporta ne bi mogao pomicati.

## POHRANA

- Dok ne koristite proizvod, uvijek ga spremite na sigurno. Tekućina ili isparavanja iz proizvoda mogu doći u dodir s iskrama, otvorenim plamenom iz električne opreme, električnih kosilica, releja/ prekidača, grijača i drugih uređaja.
- Gorivo uvijek čuvajte u odobrenim spremnicima.
- Kada proizvod uskladištite na dulje vrijeme, ispraznite spremnike goriva i ulja za lanac. Iskorištene tekućine zbrinite na propisan način.
- Dok je proizvod uskladišten, na vodilicu stavite poklopac. Time ćete spriječiti nehotično dodirivanje oštrog lanca pile. Dodirivanje oštrog lanca pile koji nije u pogonu može prouzročiti teške ozljede.
- Prije skladištenja skinite kapicu sa svjećice i aktivirajte kočnicu lanca.

## TEHNIČKI PODACI

	jedinica	120 Mark II (P02138HV)
<b>Specifikacije motora</b>		
Zapremnina cilindra	cm <sup>3</sup>	38
Svjećica		Champion RCJ7Y
Razmak elektroda	mm (in)	0,5 (0,02)
Obujam spremnika za gorivo	cm <sup>3</sup>	300
Broj okretaja u praznom hodu	min <sup>-1</sup>	2800 – 3200
Izlazna snaga pri 9000 min <sup>-1</sup>	kW	1,4
Razdoblje trajnosti emisije	h	50
<b>Podaci o buci i vibracijama</b>		

	<b>jedinica</b>	<b>120 Mark II (P02138HV)</b>
Ekvivalentne razine vibracija $a_{hveq}$ na prednjoj ručki <sup>56</sup>	m/s <sup>2</sup>	4,5
Ekvivalentne razine vibracija $a_{hveq}$ na stražnjoj ručki <sup>57</sup>	m/s <sup>2</sup>	6,0
Zajamčena razina jakosti zvuka ( $L_{WA}$ ) <sup>58</sup>	dB (A)	116
Razina snage zvuka, izmjerena <sup>59</sup>	dB (A)	110
Razina zvučnog tlaka u uhu rukovatelja <sup>60</sup>	dB (A)	95
<b>Dimenzije proizvoda</b>		
Težina (bez rezne opreme)	kg	4,9
Obujam spremnika za ulje	cm <sup>3</sup>	200
<b>Sustav za gorivo i podmazivanje</b>		
Kapacitet pumpe za ulje pri 9000 min <sup>-1</sup>	ml/min	7
Obujam spremnika za ulje	cm <sup>3</sup>	200
Vrsta pumpe za ulje		Automatska
<b>Lanac pile i vodilica</b>		
Standardna duljina vodilice	cm (in)	35 – 40 (14 – 16)
Preporučene duljine vodilice	cm (in)	35 – 45 (14 – 18)
Iskoristiva duljina rezanja	cm (in)	34 – 39 (13,5 – 15,5)
Maksimalna brzina lanca pile	m/s	22,3
Korak lanca pile	mm (in)	8,3 (0,325) 9,52 (3/8)
Debljina pogonskih članaka (razmak)	mm (in)	1,3 (0,05)
Vrsta pogonskog zupčanika		Cilindrični
Broj zubaca pogonskog zupčanika		6 (pogonskog zupčanika 3/8) 7 (pogonskog zupčanika 0,325)

<sup>56</sup> Ekvivalentna razina vibracije prema ISO 22867 izračunava se kao vremenski ponderirana ukupna energija za razine vibracije u različitim radnim uvjetima. Podaci o ekvivalentnoj razini vibracije pokazuju tipičnu statističko raspršenje (standardno odstupanje) od 1 m/s<sup>2</sup>.

<sup>57</sup> Ekvivalentna razina vibracije prema ISO 22867 izračunava se kao vremenski ponderirana ukupna energija za razine vibracije u različitim radnim uvjetima. Podaci o ekvivalentnoj razini vibracije pokazuju tipičnu statističko raspršenje (standardno odstupanje) od 1 m/s<sup>2</sup>.

<sup>58</sup> Emisije buke u okolišu izmjerene kao snaga zvuka ( $L_{WA}$ ).

<sup>59</sup> Emisije buke u okolišu izmjerene kao snaga zvuka ( $L_{WA}$ ).

<sup>60</sup> Ekvivalentna razina tlaka zvuka izračunava se kao vremenski ponderirana ukupna energija za različite razine zvučnog tlaka u različitim radnim uvjetima. Uobičajeno statističko raspršenje za ekvivalentnu razinu pritiska zvuka standardno je odstupanje od 1 dB (A).

## DODACI

### Kombinacije vodilice i motorne pile

Sljedeća rezna oprema odobrena je za proizvod.

Vodilica				Lanac pile	
Duljina, cm (in)	Korak, mm (in)	Razmak, mm (in)	Maks. polumjer vrha vodilice	Vrsta	Broj pogonskih zupčanika
33 (13)	8,25 (0.325)	1,3 (0.050)	10T	Husqvarna H30	56
38 (15)	8,25 (0.325)				64
35 (14)	9,52 (3/8)		7T	Husqvarna H37	52
40 (16)	9,52 (3/8)				56
45 (18)	9,52 (3/8)				62

### Turpijanje i kombinacije lanca pile

Lanac pile					
Vrsta lanca	Veličina okrugle turpije	Kut bočne ploče	Kut vršne ploče	Kut vodilice za turpijanje	Postavka mjerača dubine
H30	3/16" / 4,8 mm	60°	30°	10°	0,025" / 0,65 mm
H37	5/32" / 4,0 mm	60°	30°	0°	0,025" / 0,65 mm

## SADRŽAJ EUROPSKE DEKLARACIJE O USKLAĐENOSTI

Tvrtka Husqvarna AB, SE 561 82 Huskvarna, ŠVEDSKA izjavljuje pod izričitoj odgovornosti kako je predstavljeni proizvod:

Opis	Benzinska motorna pila
Marka	Husqvarna
Platforma / Vrsta / Model	Platforma P02138HV, predstavlja model 120 Mark II
Grupa	Serijski brojevi iz 2018. i noviji

u potpunosti sukladan sljedećim EU direktivama i propisima:

Direktiva/propis	Opis
2006/42/EC	"koja se odnosi na strojeve"

Direktiva/propis	Opis
2014/30/EU	"koja se odnosi na elektromagnetsku kompatibilnost"
2000/14/EC	"koja se odnosi na vanjsku buku"

Primijenjeni su sljedeće usklađene norme i/ili tehničke specifikacije: EN ISO 12100, EN ISO 11681-1, CISPR 12, ISO 14982

U skladu s dodatkom V direktive 2000/14/EC, objavljene vrijednosti zvuka navedene su u odjeljku s tehničkim podacima u ovom priručniku i u potpisanoj EC izjavi o sukladnosti.

TÜV Rheinland LGA Products GmbH, prijavljeno tijelo za strojeve (pod brojem 0197), Tillystraße 2 - 90431 Nürnberg, Njemačka, provelo je EZ ispitivanje tipa u skladu s normom 2006/42/EZ, članak 12, točka 3b.

Certifikat ispitivanja tipa, u skladu s aneksom IX, naveden u potpisanoj deklaraciji o usklađenosti, primjenjiv je na sve proizvodne lokacije i zemlje podrijetla navedene na proizvodu.

Ova motorna pila usklađena je s primjerkom uređaja na kojemu je provedeno EZ ispitivanje tipa.



---

# TARTALOMJEGYZÉK

---

BEVEZETÉS.....	185	SZÁLLÍTÁS.....	196
BIZTONSÁG.....	186	TÁROLÁS.....	196
ÖSSZESZERELÉS.....	190	MŰSZAKI ADATOK.....	196
HASZNÁLAT.....	190	TARTOZÉKOK.....	197
KARBANTARTÁS.....	193	AZ EK-MEGFELELŐSÉGI NYILATKOZAT TARTALMA.....	198

---

## BEVEZETÉS

---

### Kezelői kézikönyv

A kezelői kézikönyv eredeti nyelve angol. A más nyelvű kezelői kézikönyvek az angol változat fordításai.

### Áttekintés

(ábra 1 )

1. Adatlap (termék- és sorozatszám)
2. Gázadagoló retesze
3. Elülső fogantyú
4. Hengerköpeny
5. Láncfék és első kézvédő
6. Kipufogódob
7. Röngktámasz
8. Vezetőlemez orrkereke
9. Jobb oldali kézvédő
10. Gázadagoló
11. Orrkerékfedő
12. Láncfogó
13. Vezetőlemez
14. Fűrészlánc
15. Indítófogantyú
16. Láncolaj tartálya
17. Indítószervezet
18. Üzemanyagtartály
19. Hidegindító kar
20. Hátsó fogantyú
21. Leállítókapcsoló
22. Alapjárat-beállító csavar
23. Üzemanyagpumpa
24. Tájékoztató és figyelmeztető címke
25. Láncfeszítő csavar
26. Vezetőlemez burkolata
27. Kombinált kulcs
28. Kétütemű motorhoz való olaj
29. Kezelői kézikönyv (EPA)

### A termék szimbólumai

(ábra 2 ) Figyelmeztetés

- (ábra 3 ) Olvassa el a kézikönyvet
- Használjon jóváhagyott fejevédőt, fülvédőt és védőszemüveget
- (ábra 4 )
- (ábra 5 ) Használjon jóváhagyott védőkesztyűt
- Ez a termék megfelel a vonatkozó EK-irányelveknek
- (ábra 6 )
- (ábra 7 ) Hangteljesítményszint
- Láncfék, nincs bekapcsolva (balra). Láncfék, bekapcsolva (jobbra)
- (ábra 8 )
- (ábra 9 ) Hidegindító kar
- (ábra 10 ) Üzemanyagpumpa
- (ábra 11 ) Tankolás
- (ábra 12 ) Láncolajbetöltő nyílás
- Ez a termék megfelel a vonatkozó EAC-irányelveknek
- (ábra 13 )
- Ez a termék megfelel a vonatkozó ukrán irányelveknek
- (ábra 14 )
- (ábra 15 ) Zajszint
- (ábra 16 ) A terméket két kézzel, szilárdan fogja
- (ábra 17 ) Ne használja egy kézzel
- (ábra 18 ) Kerülje az érintkezést a vezetőlemez orrával
- (ábra 19 ) Ügyeljen a visszarúgásra
- Ez a termék megfelel a vonatkozó elektromágneses megfelelésre irányuló ausztrál és új-zélandi irányelveknek.
- (ábra 20 )

**Megjegyzés:** A terméken szereplő többi jelölés/címke a további piacok specifikus vizsgáztatási követelményeire vonatkozik.

## Termékszavatosság

A termékszavatosságra vonatkozó jogszabályok értelmében nem vagyunk felelősek a termékeink által okozott károkért az alábbi esetekben:

- a termék javítását helytelenül végezték;
- a termék javítása nem a gyártótól származó vagy általa jóváhagyott alkatrészekkel történt;
- a terméket nem a gyártótól származó vagy általa jóváhagyott kiegészítővel szerelték fel;
- a termék javítását nem hivatalos szakszerviz vagy jóváhagyott egyéb szerviz végezte.

# BIZTONSÁG

## Biztonsági fogalom meghatározások

Az alábbi fogalom meghatározások az egyes figyelmeztetésekhez tartozó, lehetséges veszélyek súlyosságát határozzák meg.



**FIGYELMEZTETÉS:** Személyi sérülés veszélye.



**VIGYÁZAT:** A termék károsodásának veszélye.

**Megjegyzés:** Ezek az információk a termék használatát könnyítik meg.

## Általános biztonsági utasítások

- Használja a terméket megfelelően. A nem megfelelő használat súlyos, akár halálos sérüléssel is járhat. A terméket csak a kézikönyvben ismertetett feladatokra használja. Ne használja a terméket egyéb feladatokra.
- Olvassa el, értelmezze és tartsa be a kézikönyv utasításait. Vegye figyelembe a biztonsági jelzéseket és tartsa be a biztonsági utasításokat. Ha a kezelő nem az utasítások és a szimbólumok szerint jár el, anyagi kár, személyi sérülés, akár halál is bekövetkezhet.
- Őrizze meg a kézikönyvet. Használja az utasítást a termék összeszereléséhez, működtetéséhez és a megfelelő üzemállapot fenntartásához. Használja az utasítást a kiegészítők és tartozékok megfelelő felszereléséhez. Csak jóváhagyott kiegészítőt és tartozékot használjon.
- Ne használjon sérült terméket. Tartsa be a karbantartási ütemtervet. Csak azt a karbantartási munkát végezze el, amire a kézikönyvben utasítást talál. Az összes többi karbantartási munkát bizza a hivatalos szakszervizre.
- A kézikönyv nem tartalmazhatja minden olyan helyzet leírását, ami a termék használata során előfordulhat. Legyen körültekintő és hagyatkozzon a józan eszére. Ne működtesse a terméket és ne végezzen rajta karbantartást, ha nem biztos a dolgában. Kérjen tájékoztatást a termék

szakértőjétől, a forgalmazótól, szervizműhelytől vagy a hivatalos márkaszerviztől.

- Húzza le a gyertyapipát, mielőtt a termék összeszerelésébe kezd, elteszi vagy karbantartásba kezd.
- Ne használja a terméket, ha megváltozott az eredeti specifikációja. Ne cseréljen a terméken alkatrészt a gyártó jóváhagyása nélkül. Csak a gyártó által jóváhagyott alkatrészeket használjon. A nem megfelelő karbantartás súlyos, akár végzetes sérüléssel is járhat.
- Ne lélegezze be a motorból kiáramló füstöt. A motorból kiáramló kipufogógáz, a láncolajból származó gőz, vagy a fűrészpor hosszabb ideig tartó belélegzése egészségügyi kockázatot jelent.
- Ne indítsa be az egységet zárt helyiségben vagy gyúlékony anyagok közelében. A kipufogógázok forróak, és lehet bennük szikra, mely tüzet okozhat. A nem megfelelő légáramlás fulladás vagy szén-monoxid okozta sérüléssel vagy halállal járhat.
- A termék működés közben elektromágneses mezőt hoz létre. Az elektromágneses mező károsíthatja az orvosi implantátumokat. A termék használata előtt kérje ki orvosa vagy orvosi implantátuma gyártójának tanácsát.
- A terméket gyermekek nem használhatják.
- Ne használja a terméket olyan személy, aki nem ismeri a kezelési utasítást.
- Csökkent fizikai vagy szellemi képességekkel rendelkező személy csak felügyelet mellett használhatja a terméket. Egy felelős felnőttnek mindig jelen kell lennie.
- A terméket zárja el olyan helyre, ahol gyermek vagy jogosulatlan személy nem férhet hozzá.
- A termék tárgyakat repíthet szét, és ezzel sérülést okozhat. Tartsa be a biztonsági előírásokat, hogy csökkenthető legyen a súlyos, akár halálos sérülések kockázata.
- Ne hagyja magára a járó motorú terméket. Állítsa le a motort és győződjön meg arról, hogy a lánc nem forog.
- Az esetleges balesetekért a termék kezelője a felelős.
- A termék használatának megkezdése előtt ellenőrizze az alkatrészek épségét.

- Tartsa be az állami vagy helyi törvényeket. Egyes feltételek mellett ezek tilthatják vagy korlátozhatják a termék használatát.

## Biztonsági utasítások az üzemeltetéshez

- A termék folyamatos vagy rendszeres használata a rezgés miatt ujjféhéredést, vagy hasonló tüneteket okozhat. Ha folyamatosan vagy rendszeresen használja a terméket, vizsgálta meg kezei és ujjai egészségi állapotát. Ha kézfeje vagy ujjai elszíneződtek, fájnak, bizseregnek vagy zsibbadnak, ne folytassa a munkát, és forduljon azonnal orvoshoz.

- A használata előtt gondoskodjon arról, hogy a termék legyen teljesen összeszerelve.
- A termék tárgyakat repíthet szét, amelyek szemsérülést okozhatnak. A termék használatakor viseljen jóváhagyott védőszemüveget.
- Legyen körültekintő, a termék használatában az Ön tudta nélkül közel jöhetnek gyerekek.
- Ne működtesse a terméket, ha a munkaterületen másvalaki is tartózkodik. Állítsa le a terméket, ha valaki belép a munkaterületre.

(ábra 21)

- Legyen körültekintő, hogy ne veszítse el uralmát a termék felett.
- A terméket két kézzel kell használni. Ne használja a terméket egy kézzel. A termék egy kézzel történő használata a kezelő, más munkások, illetve a közelben tartózkodók súlyos sérülését okozhatja.
- Az előlő fogantyút bal kézzel, a hátsó fogantyút pedig jobb kézzel tartsa. A terméket tartsa teste jobb oldalán.

(ábra 22)

- Ne használja a terméket, ha fáradt, beteg, illetve, ha alkohol, drog vagy gyógyszer hatása alatt áll.
- Ne használja a terméket, ha baleset esetén nincs, aki segítsen. Mielőtt beindítja a terméket, szójjon a közelben lévő személyeknek, hogy mire készül.
- Csak akkor forduljon meg a termékkel, ha meggyőződött arról, hogy sem ember, sem állat nincs a biztonsági területen belül.
- Munkakezdés előtt távolítson el minden nem kívánatos anyagot a munkaterületről. Ha a lánc nekiütözik valaminek, a tárgy elrepülve személyi sérülést vagy anyagi kárt okozhat. Nem kívánatos anyagok tekeredhetnek a láncra és ezzel kárt okozhatnak.
- Ne használja a terméket rossz időjárási körülmények között, például ködben, esőben, erős szélben, illetve villámlás kockázata vagy egyéb kedvezőtlen időjárási viszonyok mellett. Rossz időjárás esetén veszélyes feltételek alakulhatnak ki, például csúszós talajfelületek.
- Ügyeljen arra, hogy szabadon mozoghasson, és dolgozzon stabil testhelyzetben.

- Ügyeljen arra, hogy ne eshessen el a termék használatakor. Ne görnyedve, meghajolva használja a terméket.
- Tartsa mindig mindkét kezével a terméket. Az előlő fogantyút bal kézzel, a hátsó fogantyút pedig jobb kézzel tartsa. A terméket tartsa teste jobb oldalán.
- Ha a szivatókar a motor beindításakor szivató állásban van, a lánc forogni kezd.
- Állítsa le a motort, mielőtt szállítani kezdi a terméket.
- Ne tegye le a terméket járó motorral.
- Állítsa le a motort, mielőtt eltávolítja a termékről a nemkívánatos anyagokat. Várja meg, hogy a lánc leálljon, mielőtt Ön vagy a segítségével eltávolítja a levágott anyagot.
- Ne használja a terméket fa tetején. Ha fa tetején használja a terméket, az személyi sérülést okozhat.

(ábra 23)

- A termék elindításakor alkalmazni kell a láncfékét, mivel így csökken a kockázata, hogy a fűrészlánc az indítás során a kezelőhöz ér.

(ábra 24)

- Kerülje a visszarúgást, csúszást, pattogást és ejtést, mivel ezek súlyos sérülést okozhatnak.
- Tartsa be a biztonsági utasításokat, mivel így elkerülheti a visszarúgást és más erőhatásokat, amelyek súlyos sérülést okozhatnak.
- A fűrészlánc feszességének rendszeres igazításával biztosítsa, hogy a fűrészlánc ne lazuljon meg. A megglazult fűrészlánc leugorhat a helyéről, ami súlyos sérülést vagy halált okozhat.
- Ne használjon helytelen eljárást a fák kidöntésére. Ezzel személyi sérülést vagy anyagi kárt okozhat, illetve hálózati vezetékhez érhet.
- A kezelőnek minden esetben a magasabb területen kell tartózkodnia, mivel a kivágást követően fa nagy eséllyel legurul vagy lecsúszik a lejtőn.

(ábra 25)

- A vágás megkezdése előtt tervezzen meg vagy alakítson ki menekülési útvonalat. A menekülési útvonalnak a lehetséges dőlési vonal mögött, átlós irányban kell lennie.

(ábra 26)

- Mindig állítsa le a motort, mielőtt a terméket más helyre viszi.
- Megfelelően álljon szilárdan a talajon, és egyenletesen ossza el súlyát.

(ábra 27)

- Mindig gondoskodjon a megfelelő alapzatról, és csak stabil, biztonságos és vízszintes felületen állva használja a terméket. Síkos vagy nem stabil felületen, például létrán állva elvesztheti egyensúlyát vagy uralmát a termék felett.

(ábra 28)

## Visszarúgás, csúszás, pattogás és ejtés

A különböző erők hatással lehetnek a termék biztonságos kezelésére.

- **Csúszás** történik, ha a vezetőlemez elcsúszik vagy gyorsan végighalad a fán.
- **Pattogás** történik, ha a vezetőlemez ismétlődően felemelkedik és újra meg újra hozzár ér a fához.
- **Ejtés** történik, ha a termék leesik a vágás után. Ekkor a mozgó lánc testrészt vagy más tárgyakat érhet, személyi sérülést vagy anyagi kárt okozva ezzel.
- **Visszarúgás** történik, ha a vezetőlemez vége tárgyhoz ér, és hátrafelé, felfelé vagy váratlanul előre mozdul. Visszarúgás történhet akkor is, ha a vágás során a fa összezárul, és beszorítja a fűrészláncot. Elveszítheti az irányítást, ha a termék valamilyen tárgyat ér a fában.

(ábra 29 )

- **Rotációs visszarúgás** történhet, ha a mozgó lánc a vezetőlemez csúcsánál tárgyhoz ér. Ekkor a lánc a tárgyba szorulhat, és azonnal megállhat. Ennek hatására a vezetőlemez nagyon gyorsan felfelé és hátra, a kezelő irányába mozdulhat.

(ábra 30 )

(ábra 31 )

- **Becsúszódásos visszarúgás** történhet, ha a fűrészlánc hirtelen megáll a vágás során. A fa összezárul és beszorítja a mozgó fűrészláncot a vezetőlemez felső része mentén. A lánc hirtelen megállása megfordítja a láncerőt, melynek hatására a termék a lánc forgásával ellentétes irányba mozdul. A termék hátrafelé, a kezelő irányába mozdul.

(ábra 32 )

- **Béhúzás** történhet, ha a mozgó fűrészlánc hirtelen megáll, mert tárgyat ér a fában a vezetőlemez alsó része mentén. A hirtelen megállás a terméket előre rántja, elhúzza a vezetőtől, melynek hatására a kezelő elveszítheti az uralmát a termék felett.

(ábra 33 )

Tartsa észben a különböző erőket és azok elkerülésének módját, mielőtt használatba venné a terméket.

## A visszarúgás, csúszás, pattogás és ejtés elkerülése

- Mindig szorosan tartsa a terméket, ha a motor jár. Jobb kezét tartsa a hátsó fogantyún, bal kezét pedig az elülső fogantyún. Tartsa ujjait szorosan a fogantyúkon. Ne engedje el a terméket.
- Figyeljen, hogy ne veszítse el uralmát a termék felett a vágás során és miután a fa eldőlt. Ne hagyja, hogy súlya miatt leejtse a terméket a vágás után. (ábra 34 )

- Gondoskodjon arról, hogy a vágás területe szabad. Ne hagyja, hogy a termék használata közben a vezetőlemez orra fatörzset, ágat vagy más akadályt érjen.
- Magas motorfordulatszámra vágjon.
- Ne nyújtózzon és ne vágjon vállmagasság felett. (ábra 35 )
- Tartsa be a gyártó láncfűrészre vonatkozó élezési és karbantartási utasításait.
- Kizárólag a gyártó által meghatározott vezetőlemezt és fűrészláncot használja cserealkatrészként.
- A visszacsapódás kockázata megnő, ha a mélységhatároló távolsága túl nagy.

## Személyi védőfelszerelés

- A termék használata során mindig viseljen megfelelő személyi védőfelszerelést. A személyi védőfelszerelés nem szünteti meg a személyi sérülés kockázatát. A személyi védőfelszerelés egy esetleges baleset esetén mérsékli a sérülés mértékét.
- Általában érdemes testhezállót, a mozgást nem akadályozó ruházatot viselni.
- Használjon jóváhagyott védősisakot.
- A termék használatkor viseljen jóváhagyott fülvédőt. A zajnak való tartós kitettség halláskárosodást okozhat.
- A munkavégzés közben felpattanó tárgyak által okozott sérülések elkerülése érdekében mindig viseljen védőszemüveget vagy -maszkot. A termék képes nagy erővel a levegőbe lökni a tárgyakat, például faszilánkokat vagy kisebb fadarabokat. Ennek az eredménye súlyos sérülés, főleg szemsérülés lehet.
- Használjon láncfűrész vágás ellen védő kesztyűt.
- Használjon láncfűrész vágás ellen védő nadrágot.
- Használjon láncfűrész vágás ellen védő, acéllemezes lábujjvédős és csúszásgátlós talpú bakancsot.
- Legyen a közelben elsősegély-készlet.
- A hangfogóból, a vezetőlemezből, a fűrészláncról és más helyekről szikrák pattanhatnak el. Mindig tartson a közelben tűzoltó eszközöket és ásót az erdőtüzek elkerülésének érdekében.

## Biztonsági eszközök a terméken

- Feltétlenül végezzen rendszeres karbantartást a terméken.
  - A termék élettartama így növelhető,
  - a balesetveszély pedig csökken.

Vizsgáltsa át rendszeresen a terméket márkakereskedésben vagy szakszervizben, ahol elvégzik a szükséges beállításokat, javításokat.

- Ne használja a terméket sérült biztonsági eszközökkel. Ha a termék megsérült, forduljon vele hivatalos szakszervizhez.

## Leállítókapcsoló

Indítsa be a motort. Győződjön meg arról, hogy a motor leáll, amikor a leállítókapcsolót STOP helyzetbe állítja.

## A gázadagoló reteszének ellenőrzése

1. Győződjön meg arról, hogy amikor elengedi a gázadagoló reteszét (A), a gázadagoló (B) alapjáratú helyzetben rögzül. (ábra 36)
2. Nyomja le a gázadagoló reteszét (A) és győződjön meg arról, hogy az visszatér az eredeti helyzetébe, miután felengedi.
3. Nyomja le a gázadagolót (B) és győződjön meg arról, hogy az visszatér az eredeti helyzetébe, miután felengedi.
4. Indítsa be a motort és adjon teljes gázt.
5. Engedje el a gázadagolót és ellenőrizze, hogy a fűrészlánc leáll-e.
6. Ha a fűrészlánc a gázadagoló alapjáratú helyzetében is forog, vizsgálja meg az alapjárat-beállító csavar helyzetét a karburátoron.

## Védőburkolat

A védőburkolat megakadályozza, hogy a vágott tárgyat a kezelő irányába dobja ki a gép. A védőburkolat megakadályozza, a kezelő és a fűrészlánc közötti véletlen érintkezést is.

- Ellenőrizze, hogy olyan védőburkolatot használ-e, amelyet engedélyeztek ehhez a termékhez.
- Ne működtesse a terméket a védőburkolat nélkül.
- Ellenőrizze, hogy a védőburkolat sértetlen-e. Cserélje ki a védőburkolatot, ha elhasználódott vagy repedezett.

## Üzemanyaggal kapcsolatos biztonság

- Ne indítsa be a terméket, ha üzemanyag vagy motorolaj került rá. Távolítsa el a nem kívánt üzemanyagot/motorolajat és hagyja megszáradni a terméket. Távolítsa el a nem kívánt üzemanyagot a termékről.
- Ha a kiömlött üzemanyag a ruhájára csöppent, öltözzön át azonnal.
- Ügyeljen arra, hogy ne kerüljön üzemanyag a testére, mert az sérülést okozhat. Ha üzemanyag került a testére, távolítsa el szappannal és vízzel.
- Ne indítsa be a motort, ha olaj vagy üzemanyag került a termékre vagy Önre.
- Ne indítsa be a motort, ha szivárog a motor. Vizsgálja meg rendszeresen a motort szivárgás szempontjából.
- Bánjon óvatosan az üzemanyaggal. Az üzemanyag gyúlékony, a gőzei robbanásveszélyesek, ezért súlyos, akár végzetes sérülést is okozhat.
- Ne lélegezzen be az üzemanyag gőzeit, egészségkárosodást okozhatnak. Gondoskodjon megfelelő légáramlásról.

- Az üzemanyag vagy a motor közelében ne dohányozzon.
- Az üzemanyag vagy a motor közelébe ne tegyen forró tárgyakat.
- Ne tankoljon járó motornál.
- Várja meg a tankolással, amíg lehűl a motor.
- Tankolás előtt nyissa meg lassan a tanksapkát, engedje ki óvatosan a nyomást.
- Ne beltérben tankoljon. A nem elegendő mértékű légáramlás fulladás vagy szén-monoxid miatt egészségkárosodást, akár halált is okozhat.
- Körültekintően húzza meg a tanksapkát, különben tűz keletkezhet.
- Vigye legalább 3 m (10 láb) távolságra a terméket a tankolás helyétől, mielőtt beindítaná.
- Ne töltsen túl üzemanyaggal a terméket.
- Ügyeljen arra, hogy ne forduljon elő szivárgás, amikor a terméket vagy az üzemanyagtartályt mozgatja.
- Ne vigye olyan helyre a terméket vagy az üzemanyagtartályt, ahol nyílt láng, szikra vagy őrláng található. Győződjön meg arról, hogy a tárolás helyén nem található nyílt láng.
- Csak jóváhagyott tartályt használjon az üzemanyag szállítására vagy tárolására.
- Hosszú távú tárolás előtt ürítse ki az üzemanyagot a termékből. A lefejtett üzemanyag elhelyezésekor járjon el a hatályos helyi előírások szerint.
- Hosszú távú tárolás előtt tisztítsa meg a terméket.
- Húzza le a gyertyapipát, mielőtt a terméket elteszi, hogy a motor ne indulhasson be véletlenül.

## Biztonsági utasítások a karbantartáshoz

- Vegye ki a gyújtógyertyát, mielőtt karbantartást végezne a terméken, kivéve a karburátor beállítását.
- A termék minden szervizelését márkakereskedő végezze, kivéve az itt található feladatokat: *KARBANTARTÁS 193. oldalon.*
- Győződjön meg róla, hogy a gázadagoló kar elengedésekor a fűrészlánc leáll-e.
- A fogantyúkat tartsa szárazon, tisztán, olajtól vagy üzemanyag-keveréktől mentesen.
- Tartsa a sapkákat és egyéb rögzítőelemeket meghúzva.
- A nem jóváhagyott cserealkatrészek, valamint a biztonsági eszközök eltávolítása károsíthatja a terméket. A kezelő vagy a közelben állók sérülését is okozhatja. Csak az ajánlott tartozékokat és pótalkatrészeket használja. Ne végezzen módosításokat a terméken.
- A biztonságos és nagy teljesítményű működés érdekében tartsa a fűrészláncot élesen és tisztán.
- Kövesse a kenésre és tartozékcsere vonatkozó utasításokat.
- Ellenőrizze, hogy a termék sérülésmentes-e. Mielőtt a terméket ismét használatba venné, győződjön meg

arról, hogy a védőburkolat és az egyéb elemek is megfelelően működnek. Keressen eltört vagy helytelenül igazított elemeket, illetve olyan elemeket, amelyek szabad mozgása akadályozott. Keressen további olyan pontokat, amelyek hatással lehetnek a termék használatára. Győződjön meg arról, hogy a termék beállítása megfelelő. A sérült védőburkolatokat és egyéb alkatrészeket csak márkakereskedő javíthatja vagy cserélheti, kivéve, ha erről a használati utasítás másképp rendelkezik.

- Ha nem használja a terméket, tartsa száraz helyen, valamint magasan, vagy más módon gyermekektől elzárva.
- A termék szállítása és tárolása során használjon védőlemez-burkolatot vagy tokot.
- Ne használjon fáradt olajat. A fáradt olaj veszélyt jelenthet önre, valamint káros hatással lehet a termékre és a környezetre is.

---

## ÖSSZESZERELÉS

---



**FIGYELMEZTETÉS:** Figyelmesen olvassa el a biztonságról szóló fejezetet, mielőtt használni kezdené a terméket.

### A vezetőlemez és a fűrészlánc összeszerelése

1. A láncfék kikapcsolásához mozgassa az elülső fogantyú irányába az első kézvédőt.
2. Hajtsa ki nyitott pozícióba a gombot. (ábra 37 )
3. A vezetőlemez burkolatának meglazításához forgassa el az óramutató járásával ellentétes irányba a gombot.(ábra 38 )
4. Távolítsa el a gombot (A) és az orrkerék burkolatát. Amennyiben fel van helyezve, távolítsa el a szállítóburkolatot. (ábra 39 )
5. Helyezze a vezetőlemezt a vezetőlemezt rögzítő tőcsavarok fölé. Helyezze a vezetőlemezt a leghátsó pozícióba. Helyezze rá a láncot a csillagkerékre, majd helyezze be a vezetőlemez vátatába. Kezdje a vezetőlemez felső élén. (ábra 40 )
6. A vágószemek fogai a vezetőlemez felső felén mutassanak előre.
7. Szerelje fel az orrkerék burkolatát, és helyezze a láncfeszesség állító tűskéjét a vezetőlemezen lévő lyukba. Ellenőrizze, hogy a lánc meghajtószemei megfelelően illeszkednek-e a csillagkerékre. Ellenőrizze azt is, hogy a fűrészlánc megfelelően rögzült-e a vezetőlemez vátatában. (ábra 41 )
8. A kerék lefelé (+ irányba) forgatásával húzza meg a fűrészláncot. Addig feszítse a láncot, amíg az már nem lóg lazán a vezetőlemez alatt. (ábra 42 )
9. A fűrészlánc akkor van megfelelően megfeszítve, ha már nem lóg a vezetőlemez alatt, de kézzel még könnyen tudja fordítani.

10. Emelje fel a vezetőlemez csúcsát, és ennek meghúzásához fordítsa el az óramutató járásával egyező irányba a gombot. (ábra 43 )

- Gyakran ellenőrizze a lánc feszességét új fűrészlánc felszerelése után egészen addig, amíg a láncot be nem járatta.
- Rendszeresen ellenőrizze a lánc feszességét. A megfelelő feszesség megfelelő vágási teljesítményt és hosszú élettartamot eredményez.

### A láncfék alaphelyzetbe állítása

Amennyiben a tengelykapcsoló fedelét véletlenül úgy távolította el, hogy a láncfék bekapcsolt helyzetben volt, a láncfékot ki kell oldani, hogy a tengelykapcsoló fedelét a tengelykapcsoló dob meghajlítása nélkül tudja felszerelni.



**VIGYÁZAT:** A láncfék rugója feszes. A láncfék visszaállítása során körültekintően járjon el.

**Megjegyzés:** A visszaállítási művelet során ne fogja a fékszalagot.

1. Igazítsa a vezetőlemezen lévő vátatokat, hogy illeszkedjenek a fékforgató összekötőelemhez.(ábra 44 )
2. A fék visszaállításához ütközésig forgassa el az összekötőt az óramutató járásával egyező irányba. Az első összekötőnek lefelé elforgatott pozícióban kell lennie, amikor a láncfék ki van oldva.(ábra 45 ) (ábra 46 )

---

## HASZNÁLAT

---



**FIGYELMEZTETÉS:** Olvassa el és értelmezze a biztonságról szóló fejezetet, mielőtt használni kezdené a terméket.

### Az üzemanyag használata



**VIGYÁZAT:** A termékben kétütemű motor működik. Használjon üzemanyagként benzint és kétütemű motorolaj keverékét. Ügyeljen a

megfelelő keverési arányra. A benzin és az olaj nem megfelelő aránya károsíthatja a motort.

## Az üzemanyag-keverék aránya

A benzin és a kétütemű motorolaj üzemanyag-keverékének aránya 50:1 (2%).

Benzin	Kétütemű motorolaj
1 amerikai gallon	77 ml (2,6 oz)
1 angol gallon	95 ml (3,2 oz)
5 l	100 ml (3,4 oz)

## Keverék üzemanyag előállítás

- Határozza meg a benzin és motorolaj helyes mennyiségét (50:1 keverék). Egyszerre ne keverjen be több üzemanyagot, mint amit 30 nap alatt elhasznál. Lásd *Az üzemanyag használata 190. oldalon*.
- Öntse a szükséges üzemanyag felét egy túlcsondulásvédelmi szeleppel ellátott tiszta üzemanyagtartályba.



**VIGYZAT:** Ne használjon olyan benzint, ami több mint 10% etanolt tartalmaz (E10). Ezzel kárt tehet a termékben.



**VIGYZAT:** Ne használjon 90 RON (87 AKI) oktánszámúnál gyengébb benzint. Ezzel kárt tehet a termékben.

**Megjegyzés:** Használjon magasabb oktánszámú benzint, ha gyakran használja a terméket folyamatosan magas fordulatszámon.

- Öntse a kétütemű motorolaj teljes mennyiségét az üzemanyagtartályba.



**VIGYZAT:** Mindig jó minőségű, léghűtési kétütemű motorolajat használjon. Más olajok kárt tehetnek a termékben.

- Rázza össze az üzemanyag-keveréket, hogy az alkotóelemek összekeveredjenek.
- Öntse a maradék benzint az üzemanyagtartályba.
- Rázza össze az üzemanyag-keveréket, hogy az alkotóelemek összekeveredjenek.
- Töltse fel a termék üzemanyagtartályát az üzemanyag-keverékkel. Lásd *Az üzemanyag használata 190. oldalon*.

## Az üzemanyagtartály feltöltése

- Ellenőrizze, hogy az üzemanyag-keverék megfelelő-e, és azt, hogy a keverék túlcsondulásvédelmi szeleppel ellátott üzemanyagtartályban van-e.
- Ha üzemanyag maradt a tartályban, távolítsa el és szárítsa ki a tartályt.
- A tanksapka körüli területet tisztítsa le.
- Vegye le az üzemanyagtartály sapkáját.
- Rázza össze maga előtt az üzemanyagtartályt, és tankolja meg a gépet az üzemanyag-keverékkel.
- Helyezze vissza az üzemanyagtartály sapkáját.

## A fűrészlánc kenése

A termék automatikus kenési rendszerrel rendelkezik. A fűrészlánc olajtartálya és az üzemanyagtartály úgy van kialakítva, hogy előbb fogjon el az üzemanyag, mint a fűrészláncot kenő olaj. E biztonsági funkció megfelelő működéséhez a megfelelő lánckenő olajat kell használni, valamint be kell tartani az utasításokat.

- Növényi láncolajat vagy hagyományos láncolajat használjon.
- Gondoskodjon arról, hogy a láncolaj tartályának sapkája körüli terület tiszta legyen.
- Vegye le a lánckenő olaj tartályának sapkáját.
- Töltse fel a láncolaj tartályát az ajánlott láncolajjal.
- Tegye vissza a láncolaj tartályának sapkáját.

## Indítás és leállítás

### A motor beindítása előtt

- Vizsgálja át a terméket hiányzó, sérült, meglazult vagy elhasználódott alkatrészek tekintetében.
- Ellenőrizze az anyákat és csavarokat.
- Ellenőrizze a levegőszűrőt.
- Ellenőrizze a gázadagoló reteszének és a gázadagoló megfelelő működését.
- Ellenőrizze a leállító kapcsoló megfelelő működését.
- Ellenőrizze a terméket, nem szíváro-g-e belőle az üzemanyag.
- Ellenőrizze a fűrészlánc élességét és feszességét.

### Hideg motor indítása

- Mozdítsa előre az első kézvédőt a láncfék bekapcsolásához. (ábra 47)
- Nyomja meg 6-szer az üzemanyagpumpát. (ábra 48)
- A szivatókart tolja teljes szivató állásba. (ábra 49)
- Nyomja a géptestet bal kézzel a talajnak. A láncfűrész stabilizálásához jobb lábát helyezze a hátsó fogantyúra. Húzza ki lassan az indítószinórt, amíg ellenállást nem érez. Ezután húzza meg 5 alkalommal erősen az indítószinórt. (ábra 50)

---

**Megjegyzés:** Ne húzza a gázadagolót a motor indítása közben.

---

5. A hidegindító kart fordítsa el üzemi (szívató nélküli) helyzetbe.
  6. Húzza meg az indítózsinór fogantyúját, amíg a motor be nem indul. Miután a motor beindult, hagyja 60 másodpercig járni, mielőtt gázt ad.
- 



**VIGYÁZAT:** Az indítózsinórt ne húzza ki ütközésig. Az indítózsinór kihúzását követően ne engedje el a zsinór fogantyúját. Engedje vissza lassan az indítózsinórt. Tartsa be ezeket az utasításokat a motor épségének megőrzése érdekében.

---

7. A láncfék kikapcsolásához húzza az első kézvédőt az elülső fogantyú irányába.
8. Jobb kezével fogja meg a hátsó fogantyút, bal kezével az elülső fogantyút.
9. Használja a terméket.

## Meleg motor indítása

1. Mozdítsa előre az első kézvédőt a láncfék bekapcsolásához.
  2. Nyomja meg 6-szer az üzemanyagpumpát.
  3. A szívatókart tolja teljes szívató állásba.
  4. A hidegindító kart fordítsa el üzemi (szívató nélküli) helyzetbe.
  5. Nyomja a géptestet bal kézzel a talajnak. A láncfűrész stabilizálásához jobb lábát helyezze a hátsó fogantyúra. Húzza ki lassan az indítózsinórt, amíg ellenállást nem érez. Ezután húzza erősen az indítózsinórt, amíg a motor be nem indul. (ábra 51)
- 

**Megjegyzés:** Ne húzza a gázadagolót a motor indítása közben.

---



**VIGYÁZAT:** Az indítózsinórt ne húzza ki ütközésig. Az indítózsinór kihúzását követően ne engedje el a zsinór fogantyúját. Engedje vissza lassan az indítózsinórt. Tartsa be ezeket az utasításokat a motor épségének megőrzése érdekében.

---

6. A láncfék kikapcsolásához húzza az első kézvédőt az elülső fogantyú irányába.
7. Jobb kezével fogja meg a hátsó fogantyút, bal kezével az elülső fogantyút.
8. Használja a terméket.

## A motor beindítása forró üzemanyag mellett

Ha a termék nem indul be, az üzemanyag túl forró lehet.

---

**Megjegyzés:** Mindig új üzemanyagot használjon, és kerülje a használatot meleg időben.

---

1. Tegye a terméket hűvös helyre, közvetlen napsütéstől távol.
2. Hagyja, hogy a termék legalább 20 percen át hűljön.
3. 10-15 másodpercen át nyomja le az üzemanyagpumpát többször egymás után.
4. Kövesse a hideg motor indításának lépéseit. Lásd *Hideg motor indítása 191. oldal*on.

## A motor leállítása

- A motor leállításához nyomja meg a leállítókapcsolót.
- 

**Megjegyzés:** A leállítókapcsoló magától visszaáll alaphelyzetbe.

---

## A rönktámasz használata

A rönktámasz megelőzi a visszarúgást és egy helyben tartja a fát vágás közben. A rönktámasz a motorház és a vezetőlemez között nyújt támaszt.

1. Helyezze a rönktámasz alsó részét a töréslépcső megfelelő szélességéhez.
  2. Bal kezével tartson ellen az elülső fogantyúnak, eközben jobb kezével emelje a hátsó fogantyút.
  3. Vágjon, amíg el nem érte a megfelelő töréslépcső-szélességet.
- 

**Megjegyzés:** A sarokpont vastagságának egyenletesnek kell lennie.

---

4. Vágja át az átmérő több mint felét, majd helyezze a döntőéket a vágatba.

## Fák kivágása

1. Távolítsa el a fáról a szennyeződések, köveket, laza kérget, szögeket és huzalokat.
2. Készítsen egy bevágást a dőlési irányra merőlegesen, amelynek mérete a fa átmérőjének 1/3-a legyen. (ábra 52)
3. Készítse el az alacsonyabb vízszintes hajkvágást. Ezzel elkerülheti a fűrészlánc vagy a vezetőlemez becsipődését a második bevágás elkészítésekor.
4. A hátsó döntővágás (X) legalább 50 mm-rel (2") magasabban legyen, mint a vízszintes hajkvágás. A hátsó döntővágás maradjon párhuzamos a vízszintes hajkvágással, hogy elég fa maradjon töréslépcsőnek. Ne vágja át a töréslépcsőt. A töréslépcső akadályozza meg, hogy a fa megcsavarodjon, és nem a megfelelő irányba dőljön. (ábra 53) (ábra 54)
5. Ahogyan a hátsó döntővágás a töréslépcsőhöz közelít, a fa dőlni kezd. Győződjön meg arról, hogy a fa ki tud dőlni a helyes irányba, és nem fog hátralengeni, beszorítva ezzel a fűrészláncot. Ezt elkerülheti, ha abbahagyja a vágást a hátsó döntővágás befejezése előtt. Használjon fa-, műanyag vagy alumíniuméket a vágat felnyitására,



és hagyja, hogy a fa a szükséges dőlési vonal mentén dőljön ki. (ábra 55)

- Amikor a fa elkezd kidőlni, vegye ki a terméket a vágásból, állítsa le a motort, tegye le a terméket, majd kövesse a korábban megtervezett távozási útvonalat. Figyeljen oda a leeső ágakra, és vigyázzon, hogy hová lép. (ábra 56)

## Fák ágazása

- Tartsa a törzset a föld felett nagyobb ágak segítségével.
- A kisebb ágakat egyetlen vágással távolítsa el. (ábra 57)
- A feszülő ágakat letről felfelé vágja le, hogy elkerülhesse a fűrészlánc vagy a vezetőlemez becsípődését.

## Fák darabolása



**VIGYÁZAT:** Ne hagyja, hogy a fűrészlánc a földhöz érjen.



**FIGYELMEZTETÉS:** A termék javítása vagy karbantartása előtt olvassa el és értelmezze a biztonsággal foglalkozó fejezetet.

## Karbantartási ütemterv

Feltétlenül tartsa be a karbantartási ütemtervet. Az intervallumok meghatározásakor a termék napi használatát feltételeztük. Ha nem használja a terméket naponta, az intervallumok eltérőek. Csak azt a karbantartási munkát végezze el, amire a kézikönyvben utasítást talál. A kézikönyvben nem található egyéb karbantartási munkákkal keresse fel a hivatalos szakszervizt.

## Napi karbantartás

- Tisztítsa meg a külső felületeket.
- Ellenőrizze a gázadagoló retesének és az adagolóknak a helyes működését.
- Tisztítsa le a láncfeket, és ellenőrizze, hogy a fém megfelelően működik-e.

(ábra 62)

- Ellenőrizze a láncfogó épségét. Ha a láncfogó sérült, cserélje.

(ábra 63)

- Az egyenletes kopás érdekében minden nap fordítsa el a vezetőlemezt.
- Győződjön meg arról, hogy a vezetőlemez kenőjárata nincs-e eltömődve.

(ábra 64)

- Tisztítsa meg a vezetőlemez vajatát.

- Ha a törzset a teljes hossz mentén alátámasztja, a törzs teteje felől kezdve indítsa el a vágást. (ábra 58)
- Ha a törzset csak az egyik végén támasztották alá, a törzs aljáról indulva vágja át a törzs átmérőjének 1/3-át. (ábra 59)
- Ha a törzset mindkét végén alátámasztották, a törzs teteje felől kezdve vágja át az átmérő 1/3-át. Fejezze be a vágást a törzs alsó 2/3-ának átvágásával, tehát az első vágás elérésével. (ábra 60)
- Ha lejtőn végez darabolást egy fatörzsen, mindig a törzs felett álljon a lejtőn. A törzs átvágása közben ügyeljen rá, hogy megőrizze uralmát a termék fölött, majd amikor már a vágás vége felé tart, szüntesse meg a nyomást, és közben fogja erősen a hátsó és az elülső fogantyút. (ábra 61)

## KARBANTARTÁS

(ábra 65)

- Győződjön meg arról, hogy a vezetőlemez és a fűrészlánc elegendő olajhoz jut.
- Vizsgálja meg a fűrészláncot:

- keressen repedéseket a szegecseken és a hevedereken.
- keressen rendellenes kopást a szegecseken és a hevedereken.
- ellenőrizze, hogy megfelelő-e a feszesség.

Ha szükséges, cserélje a fűrészláncot.

- Élezze meg a fűrészláncot. Lásd *A fűrészlánc élezése 194. oldalon.*
- Ellenőrizze, hogy a meghajtókerék nem túlságosan kopott-e. Ha szükséges, cserélje ki.

(ábra 66)

- Tisztítsa meg az indító levegőbeömlő nyílását.
- Ellenőrizze, hogy az anyák és csavarok szorosan rögzülnek-e.
- Ellenőrizze a leállító kapcsoló helyes működését.
- Vizsgálja meg a motort, az üzemenyagtartályt és az üzemenyag-csővezetéseket, keressen szivárgást.
- Győződjön meg arról, hogy alaplánc motor mellett a fűrészlánc nem forog-e.

## Heti karbantartás

- Ellenőrizze a hűtőrendszer helyes működését.
- Ellenőrizze az indító, az indítózsínór és a visszahúzórugó megfelelő működését.
- Ellenőrizze, hogy nem sérültek-e a rezgéscsillapító elemek.

(ábra 67 )

- Reszelje le az esetlegesen kialakult sorjákat a vezetőlemez széleiről.
- Tisztítsa meg, vagy cserélje ki a hangtompító szikrafogóját.

(ábra 68 )

- Tisztítsa meg a karburátor külső felületeit és a környezetét.
- Légszűrő tisztítása. Ha a légszűrő megsérült, vagy túl piszkos ahhoz, hogy megtisztítsák, cserélje le a légszűrőt. További információk: *A levegőszűrő megtisztítása 194. oldalon.*

## Havi karbantartás

- Ellenőrizze, hogy nem kopott-e el a láncfék fékszalagja. Cserélje a fékszalagot, ha a leginkább kopott részén vékonyabb 0,6 mm-nél.

(ábra 69 )

- Keressen kopást a tengelykapcsoló közepén, a tengelykapcsoló dobon és a tengelykapcsoló rugón.
- Tisztítsa meg a gyújtógyertyát. Ellenőrizze, hogy megfelelő-e a szikraköz.

(ábra 70 )

- Tisztítsa meg a karburátor külső felületeit és a környezetét.
- Ellenőrizze az üzemanyagszűrőt és az üzemanyag-vezetékét. Ha szükséges, cserélje ki.
- Újítsa ki a benzintartályt.
- Újítsa ki az olajtartályt.
- Ellenőrizze az összes kábelt és csatlakozót.

## Éves karbantartás

- Ellenőrizze a gyújtógyertyát.
- Tisztítsa meg a karburátor külső felületeit és a környezetét.
- Tisztítsa ki a hűtőrendszert.
- Ellenőrizze a szikrafogó hálót.
- Ellenőrizze az üzemanyagszűrőt.
- Ellenőrizze az üzemanyag-vezeték épségét.
- Ellenőrizze az összes kábelt és csatlakozót.

## Időszakos karbantartás

- 50 munkaóra után javíttassa meg vagy cseréltesse ki hivatalos szakszervizben a kipufogódobot.
- Végezzen karbantartást a gyújtógyertyán, ha:
  - a motor teljesítménye alacsony.
  - a motor indítása nehézkes.
  - egyenletlen a motor alapjárata.
- Minden üzemanyagtöltés után ellenőrizze a fűrészlánc kenését. Lásd *A fűrészlánc kenésének ellenőrzése 195. oldalon.*

## Az alapjárat fordulatszám beállítása

Az alapjárat fordulatszám beállítása előtt gondoskodjon arról, hogy tiszta legyen a levegőszűrő és fel legyen szerelve a légszűrő fedél.

1. Fordítsa a T-vel jelölt alapjárat-beállító csavart jobbra, amíg a fűrészlánc fordulni nem kezd.
2. Fordítsa a T-vel jelölt alapjárat-beállító csavart balra, amíg a fűrészlánc meg nem áll.
3. Az alapjárat fordulatszám alacsonyabbnak kell lennie a fűrészlánc forgásához szükséges fordulatszámnál. Az alapjárat fordulatszám akkor van helyesen beállítva, ha a motor minden helyzetben egyenletesen jár.

## A szikrafogó háló tisztítása

1. A szikrafogó háló tisztítását végezze drótkéfével.

## A gyújtógyertya karbantartása



**VIGYÁZAT:** Használjon ajánlott típusú gyújtógyertyát. Az új gyertya egyezzen meg a gyártó által biztosított alkatrészszel. A nem megfelelő gyújtógyertya károsíthatja a terméket.

1. Ha a termék nehezen indul vagy nehezen kezelhető, ellenőrizze, hogy nincs-e szennyeződés a gyújtógyertyán. A gyújtógyertya elektródái közötti lerakódások kialakulásának csökkentése érdekében:
  - a) gondoskodjon az alapjárat fordulatszám megfelelő beállításáról;
  - b) gondoskodjon a megfelelő üzemanyag-keverékről;
  - c) gondoskodjon a levegőszűrő tisztaságáról.
2. Tisztítsa meg a gyújtógyertyát, ha elszennyeződött. Ellenőrizze, hogy megfelelő-e a szikraköz. (ábra 71 )
3. Szükség esetén cserélje ki a gyújtógyertyát.

## A levegőszűrő megtisztítása

1. Távolítsa el a levegőszűrő fedelét és a levegőszűrőt.
2. Meleg szappanos víz segítségével tisztítsa meg a levegőszűrőt. A levegőszűrőt teljesen szárazon szerelje csak vissza.
3. Cserélje ki a levegőszűrőt, ha túlságosan elszennyeződött a kitisztításához. Mindig cserélje ki a sérült levegőszűrőt.

## A fűrészlánc élezése

### A vágófej

A lánc vágórészét vágószemnek nevezik, ez a vágófogból (A) és a mélységhatárolóból (B) áll. A vágásmélységet e két részegység magasságkülönbsége (C) határozza meg.

(ábra 72 )

A vágófogak élezésekor négy fontos tényezőt kell szem előtt tartani:

- Reszelési szög.

(ábra 73 )

- Vágási szög.

(ábra 74 )

- Reszelőpozíció.

(ábra 75 )

- Hengeres reszelő átmérője.

(ábra 76 )

## A vágófogak élezése

A vágófogakat hengeres reszelővel és reszelőszablonnal élezze meg. A termékére szerelt fűrészlánchoz ajánlott reszelő- és sablonméretekkel kapcsolatban itt talál további információkat: *A fűrészlánc reszelése és a fűrészlánc-kombinációk 198. oldalán.*

1. Gondoskodjon a fűrészlánc megfelelő feszességéről. A meglazult lánc elmozdulhat oldalirányba, ami megnehezítheti az élezést.
2. Először reszelje meg az egyik oldalon lévő összes fogat. Reszelje meg a vágófogakat a belső oldalról, majd csökkentse a nyomást a visszahúzáskor.
3. Fordítsa meg a terméket, és reszelje meg a fogakat a másik oldalon is.
4. A fogakat élezze azonos hosszúságúra. Amikor a vágófogak hosszanti mérete 4 mm-re (5/32") csökken, az azt jelenti, hogy a fűrészlánc elhasználódott, és ki kell cserélni. (ábra 77 )

## A mélységhatároló beállításának módosítása

A mélységhatároló módosítása előtt élezze meg a vágófogakat. Lásd *A vágófogak élezése 195. oldalán.* A vágófogak (A) élezésével a mélységhatároló (B) beállítása csökken. A vágási teljesítmény fenntartásához a mélységhatárolót az ajánlott magasságig vissza kell reszelni. A használt láncnak megfelelő mélységhatároló-beállítást a következő segítségével találhatja meg: *A fűrészlánc reszelése és a fűrészlánc-kombinációk 198. oldalán.*

(ábra 78 )

(ábra 79 )

**Megjegyzés:** Ez a javaslat feltételezi, hogy a vágófogak hossza nem csökken túlzott mértékben.

Lapos reszelőt és mélységhatároló eszközt használjon a mélységhatároló beállításához.

1. Helyezze a mélységhatároló eszközt a fűrészlánc fölé. A mélységhatároló használatával kapcsolatos tudnivalókat a mélységhatároló csomagolásán találja.

2. A laposreszelő használatával reszelje le a mélységhatároló kiálló részéről a felesleget. A mélységhatároló távolsága akkor helyes, ha nem érez ellenállást, amikor a reszelőt végighúzza a sablonon.

## A fűrészlánc feszítése

**Megjegyzés:** Bejárati ideje alatt ellenőrizze az új fűrészláncok feszességét.

1. Lazítsa meg a vezetőlemez orrkerékfedőt tartó anyacsavarjait. Használja a kombinált csavarkulcsot. (ábra 80 )
2. Húzza meg a vezetőlemez anyacsavarjait kézzel, amilyen erősen csak tudja.
3. Emelje fel a vezetőlemez felső részét, és húzza ki a fűrészláncot a láncfeszítő csavar megszorításával. Használja a kombinált csavarkulcsot. Szorítsa a fűrészláncot addig, amíg már nem lóg le a vezetőlemez alsó részén. (ábra 81 )
4. Szorítsa meg a vezetőlemez anyacsavarjait a kombinációs csavarkulccsal, és eközben emelje fel a vezetőlemez csúcsát. (ábra 82 )
5. Győződjön meg arról, hogy szabadon tudja húzni a fűrészláncot kézzel, és hogy a lánc nem lóg le. (ábra 83 )

## A vágószerkezet kenése

### A fűrészlánc kenésének ellenőrzése

Minden üzemanyagtöltés után ellenőrizze a fűrészlánc kenését.

1. Indítsa el a terméket, és hagyja járni 3/4 fordulaton. Helyezze a vezetőlemez orrát világos színű felület felé, kb. 20 cm-es (8") távolságra.
2. Körülbelül 1 perc járás után olajcsík jelenik meg a világos felületen.
3. Ha nem lát olajcsíkot 1 perc után, tisztítsa meg az olajcsatornát a vezetőlemezben. Tisztítsa meg a vezetőlemez szélének vajatát. Győződjön meg arról, hogy a vezetőlemez orrkereke szabadon fordul, és semmi sem dugítja el a kenőjáratot. Tisztítsa meg, és kenje át az orrkereket.
4. Indítsa el a terméket, és hagyja járni 3/4 fordulaton. Helyezze a vezetőlemez orrát világos színű felület felé, kb. 20 cm-es (8") távolságra.
5. Körülbelül 1 perc járás után olajcsík jelenik meg a világos felületen.
6. Ha nem lát olajcsíkot 1 perc után, vegye fel a kapcsolatot márkakereskedőjével.

## SZÁLLÍTÁS

- Szállítás előtt ürítse ki az üzemanyag- és a láncolajtartályt. Megfelelő módon gondoskodjon a használt folyadékokról.
- Szállításhoz helyezze a vezetőlemez fedelét a vágófelszerelésre. Így elkerülheti, hogy véletlenül hozzáérjenek az éles fűrészláncához. A használaton kívüli termék is sérülést okozhat, ha hozzáérnek az éles fűrészláncához.
- Szállítás előtt távolítsa el a gyertyapipát a gyújtógyertyáról és kapcsolja be a láncfékét.
- Biztosítsa, hogy a termék ne mozdulhasson el szállítás közben.

## TÁROLÁS

- Mindig biztonságos helyen tárolja a terméket. A termékből szivárgó és gőzölgő anyagok szikrát érhetnek, vagy elektromos berendezésekből származó lángot, elektromos fűnyírót, reléket/kapcsolókat, boilereket stb.
- Mindig megfelelő tartályban tárolja az üzemanyagot.
- Ha a terméket hosszabb ideig tárolja, ürítse ki az üzemanyag-és olajtartályt. Megfelelő módon gondoskodjon a használt folyadékokról.
- Tároláshoz helyezze a vezetőlemez fedelét a vezetőlemeze. Így elkerülheti, hogy véletlenül hozzáérjenek az éles fűrészláncához. A használaton kívüli termék is sérülést okozhat, ha hozzáérnek az éles fűrészláncához.
- Tárolás előtt távolítsa el a gyertyapipát a gyújtógyertyáról és kapcsolja be a láncfékét.

## MŰSZAKI ADATOK

	mértékegység	120 Mark II (P02138HV)
<b>A motor adatai</b>		
Hengerűrtartalom	cm <sup>3</sup>	38
Gyújtógyertya		Champion RCJ7Y
Elektródahézag	mm (in)	0,5 (0,02)
Üzemanyagtartály űrtartalma	cm <sup>3</sup>	300
Alapjárat fordulatszám	min <sup>-1</sup>	2800–3200
Teljesítmény 9000 min <sup>-1</sup> mellett	kW	1,4
Kibocsátástartóssági időtartam	óra	50
<b>Zaj és vibráció adatai</b>		
Ekvivalens rezgésszintek, a $h_{veq}$ elülső fogantyú <sup>61</sup>	m/s <sup>2</sup>	4,5
Ekvivalens rezgésszintek, a $h_{veq}$ hátsó fogantyú <sup>62</sup>	m/s <sup>2</sup>	6,0
Hangteljesítményszint, garantált ( $L_{WA}$ ) <sup>63</sup>	dB(A)	116
Hangteljesítményszint, mért <sup>64</sup>	dB(A)	110

<sup>61</sup> Az ekvivalens rezgésszintet az ISO 22867 értelmében a rezgésszintek időhöz viszonyított összenergiájaként számítják ki, változó munkakörülmények között. Az ekvivalens rezgésszintre vonatkozó jelentési adatok az 1 m/s<sup>2</sup> tipikus statisztikus ingadozásával (szórásával) rendelkeznek.

<sup>62</sup> Az ekvivalens rezgésszintet az ISO 22867 értelmében a rezgésszintek időhöz viszonyított összenergiájaként számítják ki, változó munkakörülmények között. Az ekvivalens rezgésszintre vonatkozó jelentési adatok az 1 m/s<sup>2</sup> tipikus statisztikus ingadozásával (szórásával) rendelkeznek.

<sup>63</sup> A környezet zajszennyezése hangteljesítményként ( $L_{WA}$ ) mérve.

<sup>64</sup> A környezet zajszennyezése hangteljesítményként ( $L_{WA}$ ) mérve.

	<b>mértékegység</b>	<b>120 Mark II (P02138HV)</b>
Zajnyomásszint a gépkezelő fülénél <sup>65</sup>	dB(A)	95
<b>Termék méretei</b>		
Tömeg (vágószerkezet nélkül)	kg	4,9
Olajtartály űrtartalma	cm <sup>3</sup>	200
<b>Üzemanyag- és olajozási rendszer</b>		
Olajszivattyú kapacitása 9000 min <sup>-1</sup> mellett	ml/perc	7
Olajtartály űrtartalma	cm <sup>3</sup>	200
Olajszivattyú típusa		Automata
<b>Fűrészlánc és vezetőlemez</b>		
Normál vezetőlemez hossza	cm (in)	35-40 (14-16)
Ajánlott laphosszúságok	cm (in)	35-45 (14-18)
Alkalmazható vágáshossz	cm (in)	34-39 (13,5-15,5)
Fűrészlánc maximális sebessége	m/s	22,3
Láncosztás	mm (in)	8,3 (0.325) 9,52 (3/8)
Meghajtószemek vastagsága (sablon)	mm (in)	1,3 (0,05)
Csillagkerék típusa		Homloklánckerék
A csillagkerék fogainak száma		6 (csillagkerék 3/8) 7 (csillagkerék 0,325)

---

## TARTOZÉKOK

---

### Vezetőlemez és fűrészlánc kompozíciók

Az alábbi vágófelszerelések a termékhez jóváhagyott tartozékok.

<sup>65</sup> Az ekvivalens hangnyomásszintet a különböző hangnyomásszintek időhöz viszonyított összenergiájaként számítják ki, változó munkakörülmények között. Az ekvivalens hangnyomásszint tipikus statisztikai eloszlása 1 dB(A) szórást mutat.

Vezetőlemez				Fűrészlánc	
Hossz, cm (hüvelyk)	Osztás, mm (hüvelyk)	Méret, mm (hüvelyk)	Max. orrsugár	Típus	Meghajtószemek száma
33 (13)	8,25 (0 325)	1,3 (0,050)	10T	Husqvarna H30	56
38 (15)	8,25 (0 325)				64
35 (14)	9,52 (3/8)		7T	Husqvarna H37	52
40 (16)	9,52 (3/8)				56
45 (18)	9,52 (3/8)				62

## A fűrészlánc reszelése és a fűrészlánc-kombinációk

Fűrészlánc					
Lánc típusa	Hengeres reszelő mérete	Oldalsó lemez szöge	Felső lemez szöge	Reszelővezető szöge	Mélységhatároló beállítása
H30	4,8 mm/3/16 hüvelyk	60°	30°	10°	0,65 mm/0,025 hüvelyk
H37	4,0 mm/5/32 hüvelyk	60°	30°	0°	0,65 mm/0,025 hüvelyk

## AZ EK-MEGFELELŐSÉGI NYILATKOZAT TARTALMA

A Husqvarna AB, SE 561 82 Huskvarna, SVÉDORSZÁG a saját felelősségére kijelenti, hogy a jelzett termék:

Leírás	Benzines láncfűrész
Márka	Husqvarna
Platform / Típus / Modell	A 120 Mark II típushoz tartozó P02138HV munkaállvány
Sarzs	2018-es és újabb sorozatszámok

teljes mértékben megfelel a következő EU-irányelveknek és rendeleteknek:

Irányelv/rendelet	Leírás
2006/42/EK	„gépre vonatkozó”
2014/30/EU	„elektromágneses megfelelésre vonatkozó”

Irányelv/rendelet	Leírás
2000/14/EK	„kültéri zajkibocsátásra vonatkozó”

Az alábbi harmonizált szabványok és/vagy műszaki előírások kerültek alkalmazásra: EN ISO 12100, EN ISO 11681-1, CISPR 12, ISO 14982

A zajértékek a 2000/14/EK irányelv V. mellékletének megfelelően a használati utasításban, a műszaki adatok fejezetben, valamint az aláírt EK-megfelelőségi nyilatkozatban található.

TÜV Rheinland LGA Products GmbH, bejelentett szervezet a gépekhez (0197 sz. bejelentés), Tillystraße 2 - 90431 Nürnberg, Németország, EK-típusvizsgálatot végzett a 2006/42/EK irányelv 12. cikkének 3b. pontja szerint.

Az aláírt megfelelési nyilatkozatban található típusvizsgálati tanúsítvány a IX. mellékletnek megfelelően a terméken jelzettek szerint minden gyártási helyre és országra érvényes.

Ez a láncfűrész megfelel az EK-típusvizsgálaton átesett példának.

---

## Sommario

---

INTRODUZIONE.....	199	TRASPORTO.....	210
SICUREZZA.....	200	RIMESSAGGIO.....	210
MONTAGGIO.....	204	DATI TECNICI.....	210
FUNZIONAMENTO.....	205	ACCESSORI.....	212
MANUTENZIONE.....	207	CONTENUTO DELLA DICHIARAZIONE DI CONFORMITÀ CE.....	212

---

## INTRODUZIONE

---

### Manuale operatore

La lingua iniziale del presente manuale operatore è l'inglese. I manuali operatore in altre lingue sono traduzioni dall'inglese.

### Panoramica

(Fig. 1 )

1. Targhetta prodotto e numero di serie
2. Fermo della leva di comando
3. Impugnatura anteriore
4. Coperchio del cilindro
5. Freno della catena con protezione anticontraccolpo
6. Marmitta
7. Rampone
8. Pignone puntale della barra
9. Protezione della mano destra
10. Leva di comando
11. Coperchio del pignone
12. Fermo della catena
13. Barra di guida
14. Catena
15. Impugnatura di avviamento
16. Serbatoio dell'olio della catena
17. Dispositivo di avviamento
18. Serbatoio del carburante
19. Comando della valvola dell'aria
20. Impugnatura posteriore
21. Interruttore di arresto
22. Vite di regolazione del minimo
23. Bulbo di adescamento
24. Decalcomania di informazioni e avvertenza
25. Vite tendicaten
26. Coperchio della barra di guida
27. Strumento combinato
28. Olio per motori a due tempi
29. Manuale operatore (EPA)

### Simboli riportati sul prodotto

- (Fig. 2 ) Avvertenza
- (Fig. 3 ) Leggere il presente manuale
- Utilizzare una protezione per la testa, cuffie protettive e una protezione per gli occhi omologate
- (Fig. 4 )
- (Fig. 5 ) Utilizzare guanti protettivi omologati
- Il prodotto è conforme alle direttive CE vigenti
- (Fig. 6 )
- (Fig. 7 ) Livello di potenza acustica
- Freno della catena, non inserito (a sinistra).  
Freno della catena, inserito (a destra)
- (Fig. 8 )
- (Fig. 9 ) Comando della valvola dell'aria
- (Fig. 10 ) Bulbo di adescamento
- (Fig. 11 ) Rifornimento carburante
- (Fig. 12 ) Rabbocco olio della catena
- Il prodotto è conforme alle direttive EAC vigenti
- (Fig. 13 )
- Il prodotto è conforme alle direttive vigenti in Ucraina
- (Fig. 14 )
- (Fig. 15 ) Livello acustico
- Tenere il prodotto saldamente con entrambe le mani
- (Fig. 16 )
- (Fig. 17 ) Non utilizzare il prodotto con una mano sola
- Evitare il contatto con la punta della barra di guida
- (Fig. 18 )

(Fig. 19) Prestate attenzione ai contraccolpi

Il prodotto è conforme alle direttive sulla compatibilità elettromagnetica vigenti in

(Fig. 20) Australia e Nuova Zelanda.

**Nota:** I restanti simboli/decalcomanie sul prodotto riguardano particolari requisiti necessari per ottenere la certificazione in altre aree commerciali.

## Responsabilità del prodotto

Come indicato nelle leggi vigenti in materia di responsabilità obbligatoria sul prodotto, non siamo

responsabili per eventuali danni causati dal nostro prodotto se:

- Il prodotto viene riparato in modo errato.
- Il prodotto viene riparato con parti che non provengono o non sono omologate dal produttore.
- Il prodotto contiene un accessorio che non proviene o non è omologato dal produttore.
- Il prodotto non viene riparato presso un centro di assistenza autorizzato o presso un'autorità competente.

# SICUREZZA

## Definizioni di sicurezza

Le definizioni riportate di seguito forniscono il livello di gravità per ciascuna delle parole di avvertenza.



**AVVERTENZA:** Lesioni alle persone.



**ATTENZIONE:** Danni al prodotto.

**Nota:** Queste informazioni rendono più semplice l'uso del prodotto.

## Istruzioni di sicurezza generali

- Utilizzare il prodotto in modo corretto. Un uso improprio può causare lesioni o la morte. Utilizzare il prodotto solo per le attività riportate nel presente manuale. Non utilizzare il prodotto per altre attività.
- Leggere, comprendere e rispettare le istruzioni contenute nel presente manuale. Rispettare i simboli di sicurezza e le istruzioni di sicurezza. In caso di mancata osservanza delle istruzioni e dei relativi simboli, si potrebbero causare lesioni personali, danni o la morte.
- Non gettare il presente manuale. Utilizzare le istruzioni per assemblare, azionare e mantenere il prodotto in buone condizioni. Utilizzare le istruzioni per installare correttamente attrezzature e accessori. Utilizzare esclusivamente attrezzature e accessori omologati.
- Non utilizzare un prodotto danneggiato. Attenersi al programma di manutenzione. Eseguire solo gli interventi di manutenzione riportati nelle istruzioni di questo manuale. Tutti gli altri interventi di manutenzione devono essere effettuati da un centro di assistenza autorizzato.
- Il presente manuale non include tutte le situazioni che possono verificarsi quando si utilizza il prodotto. Prestare la massima attenzione e usare il buon

senso. Non utilizzare mai il prodotto o eseguire interventi di manutenzione sul prodotto se non si è sicuri. Per ulteriori informazioni parlare con un esperto del prodotto, il vostro rivenditore, l'officina o il centro di assistenza autorizzato.

- Scollegare il cavo della candela prima di assemblare il prodotto, conservarlo in magazzino o eseguire la manutenzione.
- Non utilizzare il prodotto se è stato modificato in qualche modo rispetto alle caratteristiche iniziali. Non sostituire una parte del prodotto senza previa approvazione del produttore. Utilizzare solo parti approvate dal produttore. Una manutenzione impropria può causare lesioni o la morte.
- Non respirare i fumi provenienti dal motore. L'inhalazione di fumi di scarico, vapori dell'olio della catena e polvere di segatura per un periodo di tempo prolungato può comportare rischi per la salute.
- Non avviare il prodotto in ambienti chiusi o vicino a materiale infiammabile. I fumi di scarico sono molto caldi e possono contenere scintille in grado di provocare incendi. L'assenza di un flusso d'aria sufficiente può causare lesioni o la morte dovute ad asfissia o al monossido di carbonio.
- Durante il funzionamento, questo prodotto genera un campo elettromagnetico. Il campo elettromagnetico può danneggiare gli impianti medici. Rivolgersi al medico e al produttore degli impianti medici prima di utilizzare il prodotto.
- Non consentire ai bambini di utilizzare il prodotto.
- Non permettere a chiunque non conosca le istruzioni di utilizzare il prodotto.
- Controllare sempre qualsiasi persona, dalle capacità fisiche o mentali ridotte, che utilizzi il prodotto. È necessaria sempre la supervisione di un adulto responsabile.
- Bloccare il prodotto in un'area a cui i bambini o le persone non autorizzate non possano accedere.
- Il prodotto può espellere oggetti e causare lesioni. Attenersi alle istruzioni di sicurezza per ridurre il rischio di lesioni o morte.



- Non allontanarsi dal prodotto con il motore in funzione. Arrestare il motore e assicurarsi che la catena non giri.
- L'operatore del prodotto è responsabile in caso di incidente.
- Verificare che i componenti non siano danneggiati prima di utilizzare il prodotto.
- Fare riferimento alle normative nazionali o locali, in quanto possono impedire o limitare il funzionamento del prodotto in determinate condizioni.

## Istruzioni di sicurezza per l'utilizzo

- L'utilizzo continuo o regolare del prodotto può causare "l'intorpidimento delle dita" o problemi medici equivalenti dovuti alle vibrazioni. In caso di utilizzo continuo o regolare del prodotto, esaminare la condizione delle mani e delle dita. Se le mani o le dita appaiono bianche, doloranti, formicolanti o intorpidite, interrompere il lavoro e rivolgersi immediatamente a un medico.
- Accertarsi che il prodotto sia completamente assemblato prima di utilizzarlo.
- Il prodotto può causare l'espulsione di oggetti, che può risultare pericolosa per gli occhi. Utilizzare sempre una protezione per gli occhi omologata durante l'utilizzo del prodotto.
- Prestare la massima attenzione, un bambino può avvicinarsi al prodotto senza che ve ne accorgiate durante il funzionamento.
- Non utilizzare il prodotto in presenza di persone nell'area di lavoro. Arrestare il prodotto nel caso in cui una persona entri nell'area di lavoro.

(Fig. 21 )

- Mantenere sempre il controllo del prodotto.
- Il prodotto deve essere utilizzato con due mani. Non utilizzare il prodotto con una sola mano. L'utilizzo con una sola mano può essere causa di gravi lesioni all'operatore, agli altri lavoratori o alle persone presenti.
- Afferrare l'impugnatura anteriore con la mano sinistra e l'impugnatura posteriore con la mano destra. Tenere il prodotto sul lato destro del corpo.

(Fig. 22 )

- Non utilizzare il prodotto quando si è stanchi, ammalati o sotto gli effetti di alcool o farmaci.
- Non utilizzare il prodotto se non è possibile ricevere soccorso in caso di incidente. Informare i presenti che si è in procinto di utilizzare il prodotto prima di avviarlo.
- Non accendere il prodotto se non si è sicuri che la zona di sicurezza sia sgombra da persone o animali.
- Rimuovere tutti i materiali indesiderati dall'area di lavoro prima di iniziare. Se la catena colpisce un oggetto, questo può essere espulso causando lesioni o danni. Del materiale indesiderato può avvolgersi attorno alla catena e causare dei danni.
- Non utilizzare il prodotto in condizioni meteorologiche avverse quali nebbia, pioggia, vento

forte, rischio di fulmini o altre condizioni meteorologiche. Condizioni meteorologiche sfavorevoli possono causare situazioni di pericolo, ad es. superfici scivolose.

- Assicurarsi di potersi muovere liberamente e lavorare in una posizione stabile.
- Assicurarsi di essere stabili e non correre il rischio di cadere durante l'uso del prodotto. Non inclinarsi durante l'uso del prodotto.
- Tenere sempre il prodotto con due mani. Afferrare l'impugnatura anteriore con la mano sinistra e l'impugnatura posteriore con la mano destra. Tenere il prodotto sul lato destro del corpo.
- Se il comando della valvola dell'aria si trova nella posizione di starter all'avviamento del motore, la catena inizia a girare.
- Arrestare il motore prima di spostare il prodotto.
- Non appoggiare a terra il prodotto con il motore acceso.
- Prima di rimuovere i materiali indesiderati dal prodotto, arrestare il motore. Lasciare che la catena si arresti prima di rimuovere il materiale tagliato.
- Non utilizzare il prodotto sugli alberi. L'utilizzo del prodotto in cima a un albero potrebbe provocare lesioni personali.

(Fig. 23 )

- Il freno della catena deve essere inserito prima di avviare il prodotto per ridurre il rischio di contatto con la catena durante l'avviamento.

(Fig. 24 )

- Evitare contraccolpi, scivolamento, rimbalzo e caduta del prodotto, che possono provocare gravi lesioni.
- Rispettare tutte le norme di sicurezza in modo da evitare contraccolpi e altre forze che possono provocare gravi lesioni.
- Regolare periodicamente la tensione della catena per assicurarsi che la catena non sia lenta. Una catena non sufficientemente tesa può saltare e provocare lesioni gravi, anche mortali.
- Non abbattere gli alberi adottando una procedura errata. Questo può essere causa di lesioni alle persone, danni alle linee elettriche e telefoniche o danni alle cose.
- L'operatore dovrebbe tenersi sul lato a monte del terreno poiché è probabile che l'albero rotoli o scivoli a valle dopo l'abbattimento.

(Fig. 25 )

- Prevedere e liberare una via di fuga prima di iniziare i tagli. Tale via di fuga dovrebbe estendersi dietro, diagonalmente, rispetto alla parte posteriore del percorso di caduta previsto.

(Fig. 26 )

- Arrestare sempre il motore prima di spostare il prodotto tra gli alberi.
- Assicurarsi di poggiare saldamente i piedi a terra e di distribuire il proprio peso in modo uniforme.

(Fig. 27 )

- Mantenere sempre una posizione stabile dei piedi e utilizzare il prodotto esclusivamente stando in piedi su una superficie fissa, stabile e piana. Superfici scivolose o instabili, come ad esempio scale, possono causare la perdita dell'equilibrio o del controllo.

(Fig. 28 )

### Contraccolpi, scivolamento, rimbalzo e caduta

Diverse forze possono avere un effetto sul controllo in sicurezza del prodotto.

- **Scivolamento**, si verifica quando la barra di guida scivola o si sposta velocemente sul legno.
- **Rimbalzo**, si verifica quando la barra di guida si solleva dal legno e lo tocca ripetutamente più volte.
- **Caduta**, si verifica quando il prodotto cade dopo aver eseguito il taglio. Ciò può causare il contatto tra la catena in movimento e una parte del corpo o altri oggetti, provocando lesioni o danni.
- **Contraccolpo**, si verifica quando l'estremità della barra di guida entra in contatto con altri oggetti e si sposta improvvisamente all'indietro, verso l'alto o in avanti. Il contraccolpo si verifica anche quando il legno si richiude incastrando la catena durante l'operazione di taglio. Se il prodotto tocca un corpo estraneo nel legno, può verificarsi una perdita del controllo.

(Fig. 29 )

- **Contraccolpo rotazionale**, può verificarsi quando la catena in movimento tocca un oggetto sulla parte superiore della barra di guida. La catena può infilarsi all'interno dell'oggetto e arrestarsi immediatamente. Il risultato è una reazione inversa molto rapida, che sposta la barra di guida verso l'alto e all'indietro in direzione dell'operatore.

(Fig. 30 )

(Fig. 31 )

- **Contraccolpo da schiacciamento**, può verificarsi quando la catena si arresta improvvisamente durante l'operazione di taglio. Il legno si richiude schiacciando la catena in movimento lungo la parte superiore della barra di guida. L'arresto improvviso della catena inverte la forza della catena e provoca il movimento del prodotto in direzione opposta alla rotazione della catena. Il prodotto si sposta all'indietro in direzione dell'operatore.

(Fig. 32 )

- **Trascinamento in avanti**, può verificarsi quando la catena si arresta improvvisamente, quando la catena in movimento entra in contatto con un corpo estraneo nel legno lungo la parte inferiore della barra di guida. L'arresto improvviso spinge il prodotto in avanti allontanandolo dall'operatore, il che può facilmente determinare la perdita del controllo del prodotto da parte dell'operatore.

(Fig. 33 )

Assicurarsi di aver capito le diverse forze e come evitarle prima di utilizzare il prodotto.

### Per evitare contraccolpi, scivolamento, rimbalzo e caduta

- A motore acceso, assicurarsi di tenere saldamente il prodotto. Tenere la mano destra sull'impugnatura posteriore e la mano sinistra sull'impugnatura anteriore. Afferrare saldamente le impugnature con i pollici e le dita. Non allentare la presa.
- Tenere sotto controllo il prodotto durante l'operazione di taglio e dopo che il legno è caduto a terra. Non lasciar cadere il prodotto sotto l'effetto del proprio peso dopo aver eseguito il taglio.(Fig. 34 )
- Assicurarsi che la zona in cui si esegue il taglio sia priva di ostacoli. Non lasciare che la punta della barra di guida tocchi un tronco, un ramo o altri ostacoli durante l'utilizzo del prodotto.
- Tagliare con il motore ad alta velocità.
- Non sporgersi troppo in avanti e non tagliare al di sopra dell'altezza della spalla.(Fig. 35 )
- Attenersi alle istruzioni di affilatura e manutenzione della catena fornite dal fabbricante.
- Utilizzare esclusivamente le barre di guida e le catene di ricambio specificate dal produttore.
- Il rischio di contraccolpo aumenta in caso di impostazione troppo elevata del misuratore di profondità.

### Abbigliamento protettivo personale

- Indossare sempre il corretto abbigliamento protettivo personale durante l'utilizzo del prodotto. L'abbigliamento protettivo personale non elimina completamente il rischio di lesioni. L'abbigliamento protettivo personale riduce il grado di lesioni in caso di incidente.
- In generale, l'abbigliamento deve essere tale da non ostacolare la libertà di movimento.
- Utilizzare un elmetto protettivo omologato.
- Utilizzare sempre protezioni acustiche omologate durante l'uso del prodotto. Un rumore prolungato può provocare la perdita dell'udito.
- Utilizzare occhiali protettivi o una visiera per ridurre il rischio di lesioni dovute alla proiezione di oggetti. Il prodotto è in grado di proiettare con elevata violenza oggetti quali segatura, trucioli ecc. Possono insorgere gravi lesioni, in particolare agli occhi.
- Utilizzare guanti dotati di protezione per motosega.
- Utilizzare pantaloni dotati di protezione per motosega.
- Utilizzare stivali dotati di protezione per motosega, punta in acciaio e suola antiscivolo.
- Tenere sempre a portata di mano la cassetta di pronto soccorso.
- Marmitta, barra di guida, catena o altre fonti possono provocare scintille. Tenere sempre a portata di mano

degli estintori e una pala per spegnere le fiamme ed evitare incendi boschivi.

## Dispositivi di protezione sul prodotto

- Eseguire regolarmente la manutenzione del prodotto.

- Ciò aumenta la durata del prodotto.
- E riduce il rischio di incidenti.

Far esaminare il prodotto da un rivenditore o un centro di assistenza autorizzati per eventuali regolazioni o riparazioni.

- Non utilizzare un prodotto con abbigliamento protettivo danneggiato. Se il prodotto è danneggiato, rivolgersi a un centro di assistenza autorizzato.

### Interruttore di arresto

Avviare il motore. Accertarsi che il motore si spenga quando si porta l'interruttore in posizione di arresto.

### Controllo del fermo del grilletto dell'acceleratore

1. Assicurarsi che la leva di comando (B) sia bloccata sul minimo quando viene rilasciato il relativo fermo (A). (Fig. 36)
2. Premere il fermo della leva di comando (A) e accertarsi che ritorni nella posizione iniziale quando viene rilasciato.
3. Premere la leva di comando (B) e accertarsi che ritorni nella posizione iniziale quando viene rilasciata.
4. Avviare il motore, quindi accelerare alla velocità massima.
5. Rilasciare la leva di comando e verificare se la catena si ferma.
6. Se la catena gira con il motore al minimo, controllare la vite di regolazione del minimo del carburatore.

### Protezione

La protezione impedisce agli oggetti di venire espulsi in direzione dell'operatore. Inoltre la protezione impedisce il contatto accidentale tra l'operatore e la catena.

- Assicurarsi che la protezione sia omologata per l'uso insieme al prodotto.
- Non utilizzare il prodotto senza la protezione.
- Accertarsi che la protezione non sia danneggiata. Sostituire la protezione se presenta segni di usura o crepe.

### Sicurezza durante l'uso del carburante

- Non avviare il prodotto nel caso in cui vi sia carburante o olio motore su di esso. Rimuovere il carburante/olio indesiderato e lasciare che il prodotto si asciughi. Rimuovere il carburante indesiderato dal prodotto.
- In caso di perdite di carburante sugli indumenti, cambiarsi immediatamente.

- Il carburante non deve arrivare a contatto con il corpo, poiché può causare lesioni. In caso di contatto del carburante con il corpo, rimuoverlo con acqua e sapone.
- Non avviare il motore in caso di contatto dell'olio o del carburante con il prodotto o con il proprio corpo.
- Non avviare il prodotto se il motore presenta una perdita. Esaminare regolarmente il motore per verificare la presenza di eventuali perdite.
- Prestare la massima attenzione con il carburante. Il carburante è infiammabile e i fumi sono esplosivi quindi possono causare lesioni o morte.
- Non respirare i fumi del carburante perché possono causare lesioni. Accertarsi che ci sia un flusso d'aria sufficiente.
- Non fumare in prossimità del carburante o del motore.
- Non posizionare oggetti caldi in prossimità del carburante o del motore.
- Non aggiungere carburante a motore acceso.
- Assicurarsi che il motore sia freddo prima di effettuare il rifornimento.
- Prima di effettuare il rifornimento, aprire lentamente il tappo del serbatoio del carburante e rilasciare la pressione con cautela.
- Non aggiungere carburante al motore in un ambiente chiuso. Un flusso d'aria insufficiente può causare lesioni o la morte dovute ad asfissia o al monossido di carbonio.
- Serrare il tappo del serbatoio del carburante con cautela, altrimenti potrebbe verificarsi un incendio.
- Prima dell'avviamento, spostare il prodotto di almeno 3 m (10 ft) dal punto in cui è stato riempito il serbatoio del carburante.
- Non rabboccare il serbatoio con una quantità eccessiva di carburante.
- Assicurarsi che non si verifichino perdite quando si sposta il prodotto o la tanica carburante.
- Non posizionare il prodotto o una tanica carburante in ambienti in cui siano presenti fiamme libere, scintille o fiamme pilota. Assicurarsi che l'area di rimessaggio non contenga fiamme libere.
- Utilizzare solo contenitori omologati per spostare il carburante o riporlo in magazzino.
- Svuotare il serbatoio del carburante prima di lunghi periodi di stoccaggio. Attenersi alle leggi locali sullo smaltimento del carburante.
- Pulire il prodotto prima di un lungo periodo di stoccaggio.
- Rimuovere il cavo della candela prima di conservare il prodotto in magazzino per assicurarsi che il motore non si avvii accidentalmente.

## Istruzioni di sicurezza per la manutenzione

- Scollegare la candela prima di eseguire la manutenzione del prodotto, ad eccezione delle regolazioni del carburatore.

- Far eseguire tutti gli interventi di manutenzione del prodotto a un concessionario autorizzato, ad eccezione delle attività descritte in *MANUTENZIONE alla pagina 207*.
- Assicurarsi che la catena si fermi quando viene rilasciato il grilletto dell'acceleratore.
- Mantenere le impugnature asciutte, pulite e prive di macchie d'olio o di miscela.
- Verificare che i tappi e le chiusure siano serrati correttamente.
- I componenti sostitutivi non omologati o la rimozione dei dispositivi di sicurezza possono causare danni al prodotto. Questo può causare anche possibili lesioni all'operatore o alle persone presenti. Utilizzare esclusivamente accessori e ricambi originali, come consigliato. Non apportare modifiche al prodotto.
- Mantenere la catena affilata e pulita per un utilizzo sicuro e prestazioni elevate.
- Rispettare le istruzioni per la lubrificazione e la sostituzione degli accessori.
- Controllare che il prodotto non presenti parti danneggiate. Prima di utilizzare di nuovo il prodotto,

assicurarsi che la protezione o parte danneggiata funzioni correttamente. Verificare l'eventuale presenza di parti rotte, non allineate correttamente o che non si muovono liberamente. Verificare l'eventuale presenza di altre condizioni che possono influire sul funzionamento del prodotto. Assicurarsi che il prodotto sia montato correttamente. Una protezione o altre parti danneggiate devono essere riparate o sostituite da un concessionario autorizzato, ad eccezione di quanto scritto nel manuale dell'operatore.

- Quando non viene utilizzato, conservare il prodotto in un luogo asciutto, in alto o chiuso a chiave, fuori dalla portata dei bambini.
- Durante il trasporto o la conservazione del prodotto, utilizzare un coperchio o una custodia della barra di guida per spostare il prodotto.
- Non riutilizzare l'olio di scarico. L'olio di scarico è nocivo per le persone e può causare danni al prodotto e all'ambiente.

---

## MONTAGGIO

---



**AVVERTENZA:** Leggere e comprendere il capitolo sulla sicurezza prima di montare il prodotto.

### Montaggio della barra di guida e della catena

1. Spostare la protezione anticontraccolpo in direzione dell'impugnatura anteriore per disinserire il freno della catena.
2. Tirare la manopola verso l'esterno in posizione aperta. (Fig. 37 )
3. Girare la manopola in senso antiorario per allentare il coperchio della barra.(Fig. 38 )
4. Rimuovere la manopola (A) e il coperchio del pignone. Rimuovere la protezione di trasporto, se installata. (Fig. 39 )
5. Posizionare la barra guida sopra i bulloni della barra. Portare la barra di guida nella sua posizione più arretrata. Posizionare la catena sopra il pignone guida e inserirla nella scanalatura sulla barra guida. Cominciare dalla parte superiore della barra guida. (Fig. 40 )
6. Assicurarsi che i bordi degli attacchi di taglio siano rivolti in avanti sul lato superiore della barra guida.
7. Montare il coperchio del pignone e inserire il fermo tendicatena nel foro sulla barra di guida. Assicurarsi che le maglie di trascinamento della catena si innestino correttamente sul pignone guida. Assicurarsi inoltre che la catena sia inserita correttamente nella scanalatura della barra di guida. (Fig. 41 )

8. Tendere la catena girando il ruotino verso il basso (+). Tendere la catena fino a farla aderire alla parte inferiore della barra guida. (Fig. 42 )
9. La catena è tesa correttamente se aderisce alla parte inferiore della barra, ma si riesce agevolmente a farla girare con una mano.
10. Sollevare la punta della barra di guida e ruotare la manopola in senso orario per tenderla. (Fig. 43 )
  - Controllare spesso la tensione della catena dopo il montaggio di una nuova catena e finché questa non è stata roduta.
  - Verificare regolarmente la tensione della catena. La corretta tensione della catena determina buone prestazioni di taglio e una lunga durata.

### Riposizionamento del freno della catena

Se il coperchio della frizione viene rimosso accidentalmente mentre il freno della catena è bloccato, il freno della catena deve essere sbloccato in modo che il coperchio della frizione possa essere montato senza cingere il tamburo della frizione.



**ATTENZIONE:** La molla del freno della catena è sotto tensione. Prestare particolare attenzione durante il riposizionamento del freno della catena.

**Nota:** Non tenere il nastro del freno mentre si cerca di riposizionarlo.

1. Allineare le tacche sullo strumento barra in modo che si adattino al braccio articolato di rotazione del freno.(Fig. 44 )
2. Per regolare il freno, ruotare il braccio articolato in senso orario fino a quando si arresta. Il braccio

articolato anteriore si trova in posizione ruotata verso il basso quando il freno della catena è sbloccato. (Fig. 45 )(Fig. 46 )

## FUNZIONAMENTO



**AVVERTENZA:** Leggere e comprendere il capitolo sulla sicurezza prima di utilizzare il prodotto.

### Uso del carburante



**ATTENZIONE:** Questo prodotto è dotato di un motore a due tempi. Utilizzare una miscela di benzina e olio per motori a due tempi. Utilizzare la quantità di olio corretta nella miscela. Un rapporto non corretto di benzina e olio può causare danni al motore.

### Rapporto miscela

Il rapporto della miscela di benzina e olio per motori a due tempi è 50:1 (2%)

Benzina	Olio per motori a due tempi
1 U.S. gal.	77 ml (2,6 oz)
1 UK gal.	95 ml (3,2 oz)
5 l	100 ml (3,4 oz)

### Per preparare la miscela di carburante

1. Determinare la quantità corretta di benzina e olio motore (rapporto miscela 50:1). Preparare una quantità di miscela necessaria al massimo per 30 giorni. Vedere *Uso del carburante alla pagina 205*.
2. Aggiungere la metà della quantità di benzina in una tanica carburante pulita con valvola antigoccia.



**ATTENZIONE:** Non utilizzare benzina con una concentrazione di etanolo superiore al 10% (E10). Ciò può causare danni al prodotto.



**ATTENZIONE:** Non utilizzare mai benzina con un numero di ottani inferiore a 90 RON (87 AKI). Ciò può causare danni al prodotto.

**Nota:** Utilizzare benzina con numero di ottani superiore se si utilizza frequentemente il prodotto a un regime motore elevato continuo.

3. Aggiungere la quantità completa di olio per motori a due tempi nella tanica carburante.



**ATTENZIONE:** Utilizzare sempre olio per motori a due tempi raffreddati ad aria di alta qualità. Altri oli possono causare danni al prodotto.

4. Agitare la miscela per mescolare il contenuto.
5. Aggiungere la quantità rimanente di benzina nella tanica carburante.
6. Agitare la miscela per mescolare il contenuto.
7. Riempire il serbatoio del carburante del prodotto con la miscela. Vedere *Uso del carburante alla pagina 205*.

### Per riempire il serbatoio del carburante

1. Assicurarsi che la miscela sia corretta e che sia contenuta in una tanica carburante con valvola antigoccia.
2. Nel caso in cui sulla tanica sia presente del carburante, rimuoverlo e asciugare la tanica.
3. Assicurarsi che l'area circostante il tappo del serbatoio del carburante sia pulita.
4. Rimuovere il tappo del serbatoio del carburante.
5. Agitare la tanica carburante prima di aggiungere la miscela nel serbatoio del carburante.
6. Riposizionare il tappo del serbatoio del carburante.

### Per lubrificare la catena

Il prodotto è dotato di un sistema di lubrificazione automatica. Serbatoio dell'olio della catena e serbatoio del carburante sono dimensionati in modo che il carburante si esaurisca prima dell'olio. Questa funzione di sicurezza richiede che venga utilizzato l'olio della catena corretto e che le istruzioni siano rispettate.

1. Utilizzare olio della catena a base vegetale o olio della catena standard.
2. Assicurarsi che l'area circostante il tappo del serbatoio dell'olio della catena sia pulita.
3. Rimuovere il tappo del serbatoio dell'olio della catena.
4. Riempire il serbatoio dell'olio della catena con l'olio della catena raccomandato.
5. Riposizionare il tappo del serbatoio dell'olio della catena.

## Per avviare e arrestare il motore

### Prima di avviare il motore

- Verificare che non ci siano parti mancanti, danneggiate, allentate o usurate sul prodotto.
- Controllare i dadi, i bulloni e le viti.
- Controllare il filtro dell'aria.
- Verificare il corretto funzionamento della leva di comando e del fermo della leva di comando.
- Verificare il corretto funzionamento dell'interruttore di arresto.
- Verificare eventuali perdite di carburante dal prodotto.
- Verificare l'affilatura e la tensione della catena.

### Per avviare il motore a freddo

1. Spostare in avanti la protezione anticontraccolpo per inserire il freno della catena. (Fig. 47 )
2. Premere il bulbo di adescamento 6 volte. (Fig. 48 )
3. Spostare il comando della valvola dell'aria in posizione di starter completamente aperto. (Fig. 49 )
4. Mantenere il corpo del prodotto a terra con la mano sinistra. Inserire il piede destro nell'impugnatura posteriore in modo da stabilizzare la motosega. Tirare lentamente la maniglia della fune di avviamento finché non si avverte una resistenza. Quindi, tirare la maniglia della fune di avviamento con forza 5 volte. (Fig. 50 )

**Nota:** Non tirare la leva di comando mentre si avvia il motore.

5. Spostare il comando della valvola dell'aria in posizione di starter disattivato.
6. Tirare l'impugnatura del cavo di avviamento finché il motore non si avvia. Attendere 60 secondi dopo l'avviamento prima di tirare la leva di comando.



**ATTENZIONE:** Non tirare il cavo di avviamento fino a quando non si arresta. Non lasciare andare il cavo di avviamento quando è completamente estesa. Rilasciare la fune di avviamento lentamente. Rispettare queste istruzioni per evitare di danneggiare il motore.

7. Tirare la protezione anticontraccolpo in direzione dell'impugnatura anteriore per disinserire il freno della catena.
8. Afferrare l'impugnatura posteriore con la mano destra e l'impugnatura anteriore con la mano sinistra.
9. Utilizzare il prodotto.

### Per avviare un motore caldo

1. Spostare in avanti la protezione anticontraccolpo per inserire il freno della catena.
2. Premere il bulbo di adescamento 6 volte.

3. Spostare il comando della valvola dell'aria in posizione di starter completamente aperto.
4. Spostare il comando della valvola dell'aria in posizione di starter disattivato.
5. Mantenere il corpo del prodotto a terra con la mano sinistra. Inserire il piede destro nell'impugnatura posteriore in modo da stabilizzare la motosega. Tirare lentamente la maniglia della fune di avviamento finché non si avverte una resistenza. Quindi, tirare la maniglia del cavo di avviamento finché il motore non si avvia. (Fig. 51 )

**Nota:** Non tirare la leva di comando mentre si avvia il motore.



**ATTENZIONE:** Non tirare il cavo di avviamento fino a quando non si arresta. Non lasciare andare il cavo di avviamento quando è completamente estesa. Rilasciare la fune di avviamento lentamente. Rispettare queste istruzioni per evitare di danneggiare il motore.

6. Tirare la protezione anticontraccolpo in direzione dell'impugnatura anteriore per disinserire il freno della catena.
7. Afferrare l'impugnatura posteriore con la mano destra e l'impugnatura anteriore con la mano sinistra.
8. Utilizzare il prodotto.

### Per avviare il motore quando il carburante è troppo caldo

Se il prodotto non si avvia, il carburante potrebbe essere troppo caldo.

**Nota:** Utilizzare sempre carburante nuovo e ridurre il tempo di funzionamento in presenza di clima caldo.

1. Collocare il prodotto in un luogo fresco al riparo dalla luce solare diretta.
2. Lasciar raffreddare il prodotto per almeno 20 minuti.
3. Premere ripetutamente il bulbo di adescamento più volte per 10-15 secondi.
4. Adottare la procedura di avviamento del motore a freddo. Vedere *Per avviare il motore a freddo alla pagina 206*.

### Per arrestare il motore

- Premere l'interruttore di arresto per arrestare il motore.

**Nota:** L'interruttore di arresto torna automaticamente alla posizione iniziale.

## Per utilizzare un rampone

Un rampone evita i contraccolpi e trattiene il legno durante il taglio. Il rampone è un perno tra il corpo motore e la barra di guida.

1. Posizionare l'estremità inferiore del rampone alla larghezza corretta del punto di ancoraggio.
2. Premere con la mano sinistra contro l'impugnatura anteriore mentre si solleva l'impugnatura posteriore con la mano destra.
3. Segare fino a ottenere la larghezza corretta del punto di ancoraggio.

**Nota:** Il punto di ancoraggio deve avere uno spessore uniforme.

4. Segare per oltre la metà del diametro, quindi inserire il cuneo di abbattimento nel taglio.

## Per abbattere un albero

1. Rimuovere sporcizia, pietre, corteccia staccata, chiodi, graffe e fili dall'albero.
2. Fare un intaglio di 1/3 del diametro dell'albero, perpendicolare alla direzione di caduta.(Fig. 52 )
3. Realizzare l'intaglio orizzontale inferiore. Questo aiuterà a evitare lo schiacciamento della catena o della barra di guida quando viene fatto il secondo intaglio.
4. Eseguire il taglio di abbattimento (X) almeno 50 mm (2 pollici) più in alto rispetto all'intaglio orizzontale. Mantenere il taglio di abbattimento parallelo all'intaglio orizzontale in modo tale da lasciare legno a sufficienza per realizzare un punto di ancoraggio. Non tagliare attraverso il punto di ancoraggio. Il legno del punto di ancoraggio impedisce la torsione e la caduta dell'albero nella direzione errata.(Fig. 53 )(Fig. 54 )
5. Appena il taglio di abbattimento si avvicina al punto di ancoraggio, l'albero inizia a cadere. Assicurarsi che l'albero possa cadere nella direzione corretta e non far oscillare all'indietro e schiacciare la catena. Per evitarlo, interrompere il taglio prima di

completare il taglio di abbattimento. Utilizzare dei cunei in legno, plastica o alluminio per aprire il taglio e far cadere l'albero lungo la linea di caduta desiderata.(Fig. 55 )

6. Quando l'albero comincia a cadere, rimuovere il prodotto dal taglio, arrestare il motore, poggiare a terra il prodotto, quindi utilizzare il percorso di fuga pianificato. Prestare attenzione all'eventuale caduta di rami e a non inciampare.(Fig. 56 )

## Sramatura di un albero

1. Utilizzare i rami più grandi per tenere tronco sollevato da terra.
2. Rimuovere i rami più piccoli con un solo taglio.(Fig. 57 )
3. Tagliare i rami sotto tensione dal basso verso l'alto per evitare lo schiacciamento della catena o della barra di guida.

## Depezzatura di un tronco



**ATTENZIONE:** Non lasciare che la catena tocchi per terra.

- Se il tronco è sostenuto sull'intera lunghezza, tagliare dalla parte superiore del tronco (taglio dall'alto).(Fig. 58 )
- Se il tronco è sostenuto su una sola estremità, tagliare 1/3 del diametro dalla parte inferiore del tronco (taglio dal basso).(Fig. 59 )
- Se il tronco è sostenuto su entrambe le estremità, tagliare 1/3 del diametro dalla parte superiore. Completare il taglio tagliando dal basso i 2/3 inferiori del tronco fino a raggiungere il primo taglio.(Fig. 60 )
- Se si taglia un tronco su un terreno in pendenza, tenersi sempre a monte rispetto al tronco. Tagliare il tronco mantenendo il completo controllo del prodotto, quindi rilasciare la pressione di taglio verso la fine del taglio afferrando saldamente l'impugnatura posteriore e l'impugnatura anteriore.(Fig. 61 )

## MANUTENZIONE



**AVVERTENZA:** Leggere e comprendere il capitolo sulla sicurezza prima di pulire e riparare il prodotto o prima di eseguire la manutenzione.

## Programma di manutenzione

Rispettare il programma di manutenzione. Gli intervalli sono calcolati sulla base di un uso quotidiano del prodotto. Nel caso in cui il prodotto non venga utilizzato tutti i giorni, gli intervalli variano. Eseguire solo gli interventi di manutenzione riportati nel presente manuale. Rivolgersi a un centro di assistenza

autorizzato per altri interventi di manutenzione non contenuti in questo manuale.

## Manutenzione giornaliera

- Pulire le superfici esterne.
- Assicurarsi che il fermo e la leva di comando funzionino correttamente.
- Pulire il freno della catena e verificare che funzioni correttamente.

(Fig. 62 )

- Esaminare il fermo della catena per verificare l'eventuale presenza di danni. Sostituire il fermo della catena se danneggiato.

(Fig. 63)

- Invertire quotidianamente la barra di guida per un'usura più uniforme.
- Assicurarsi che il foro di lubrificazione sulla barra di guida non sia ostruito.

(Fig. 64)

- Pulire la scanalatura della barra di guida.

(Fig. 65)

- Assicurarsi che la barra di guida e la catena ricevano olio a sufficienza.
- Controllare la catena:
  - presenza di crepe su rivetti o maglie;
  - usura irregolare di rivetti e maglie;
  - tensione corretta.

Se necessario, sostituire la catena.

- Affilare la catena. Vedere *Per affilare la catena alla pagina 209*.
- Verificare che il pignone guida non sia particolarmente usurato e sostituirlo se necessario.

(Fig. 66)

- Pulire la presa d'aria del dispositivo di avviamento.
- Assicurarsi che i dadi e le viti siano serrati a fondo.
- Assicurarsi che l'interruttore d'arresto funzioni correttamente.
- Controllare che il motore, il serbatoio e le tubazioni del carburante non presentino perdite.
- Assicurarsi che la catena non giri quando il motore è al minimo.

## Manutenzione settimanale

- Assicurarsi che il sistema di raffreddamento funzioni correttamente.
- Assicurarsi che il dispositivo di avviamento, la fune di avviamento e la molla di richiamo funzionino correttamente.
- Assicurarsi che gli elementi di smorzamento delle vibrazioni non siano danneggiati.

(Fig. 67)

- Limare eventuali irregolarità sui lati della barra di guida.
- Pulire o sostituire lo schermo parascintille sulla marmitta.

(Fig. 68)

- Pulire le superfici esterne del carburatore e le relative aree adiacenti.
- Pulire il filtro dell'aria. Installare un nuovo filtro dell'aria se è danneggiato o troppo sporco per poterlo pulire completamente. Per ulteriori informazioni, vedere *Pulizia del filtro dell'aria alla pagina 209*.

## Manutenzione mensile

- Controllare l'usura del nastro del freno della catena. Sostituire il nastro del freno quando lo spessore è inferiore a 0,6 mm (0,024 pollici) nel punto più usurato.

(Fig. 69)

- Controllare l'usura del centro, del tamburo e della molla della frizione.
- Pulire la candela. Assicurarsi che la distanza tra gli elettrodi sia corretta.

(Fig. 70)

- Pulire le superfici esterne del carburatore e le relative aree adiacenti.
- Controllare il filtro del carburante e il tubo pescante. Sostituire se necessario.
- Svuotare il serbatoio del carburante.
- Svuotare il serbatoio dell'olio.
- Esaminare tutti i cavi e i raccordi.

## Manutenzione annuale

- Esaminare la candela.
- Pulire le superfici esterne del carburatore e le relative aree adiacenti.
- Pulire l'impianto di raffreddamento.
- Esaminare lo schermo parascintille.
- Esaminare il filtro del carburante.
- Esaminare il tubo pescante per verificare l'eventuale presenza di danni.
- Esaminare tutti i cavi e i raccordi.

## Manutenzione occasionale

- Far riparare o sostituire la marmitta da un centro assistenza autorizzato dopo 50 ore di funzionamento.
- Eseguire la manutenzione della candela quando:
  - il livello di potenza del motore è basso;
  - il motore si avvia con difficoltà;
  - il motore non funziona correttamente a regime minimo.
- Controllare la lubrificazione della catena a ogni rifornimento. Vedere *Controllo della lubrificazione della catena alla pagina 210*.

## Per regolare il regime minimo

Assicurarsi che il filtro dell'aria sia pulito e che il coperchio del filtro dell'aria sia fissato prima di regolare il regime minimo.

1. Ruotare in senso orario le viti di regolazione del minimo, indicata con il contrassegno "T", finché la catena non inizia a girare.
2. Ruotare in senso antiorario le viti di regolazione del minimo, indicata con il contrassegno "T", finché la catena non si arresta.



3. Il regime minimo deve essere inferiore al regime a cui la catena inizia a girare. Il regime minimo è corretto quando il motore funziona regolarmente in tutte le posizioni.

## Pulizia dello schermo parascintille

1. Utilizzare una spazzola metallica per pulire lo schermo parascintille.

## Per gli interventi di manutenzione della candela



**ATTENZIONE:** Utilizzare la candela raccomandata. Accertarsi che il ricambio corrisponda al pezzo fornito dal produttore. Una candela errata può danneggiare il prodotto.

1. Se il prodotto presenta difficoltà di avviamento o di funzionamento, controllare la candela per verificare l'eventuale presenza di materiali indesiderati. Per ridurre il rischio di materiale superfluo sugli elettrodi delle candele:
  - a) Accertarsi che il regime minimo sia regolato correttamente.
  - b) Accertarsi che la miscela sia corretta.
  - c) Accertarsi che il filtro dell'aria sia pulito.
2. Pulire la candela se sporca. Assicurarsi che la distanza tra gli elettrodi sia corretta.(Fig. 71 )
3. Sostituire la candela secondo necessità.

## Pulizia del filtro dell'aria

1. Rimuovere il filtro dell'aria e il relativo coperchio.
2. Pulire il filtro dell'aria con acqua calda e sapone. Accertarsi che il filtro dell'aria sia asciutto prima di montarlo.
3. Sostituire il filtro dell'aria se è troppo sporco per poterlo pulire completamente. Sostituire sempre un filtro dell'aria danneggiato.

## Per affilare la catena

### Tagliente

L'elemento affilato di una catena è chiamato tagliente e si compone di un dente di taglio (A) e un misuratore di profondità (B). La profondità di taglio è determinata dalla differenza di altezza tra i due elementi, l'impostazione del misuratore di profondità (C).

(Fig. 72 )

Per l'affilatura del dente di taglio occorre considerare quattro fattori importanti:

- Angolo di affilatura.

(Fig. 73 )

- Angolo di taglio.

(Fig. 74 )

- Posizione della lima.

(Fig. 75 )

- Diametro della lima tonda.

(Fig. 76 )

## Affilatura dei denti di taglio

Utilizzare una lima tonda e una dima di affilatura per affilare i denti di taglio. Per le informazioni relative alle dimensioni raccomandate della lima e della dima di affilatura per la catena montata sul prodotto, vedere *Combinazioni di affilatura della catena e catena alla pagina 212*.

1. Assicurarsi che la tensione della catena sia corretta. In caso contrario la catena si muoverà lateralmente e sarà più difficile ottenere una corretta affilatura.
2. Limare per prima cosa tutti i denti da un lato. Quindi, utilizzare la lima sui denti di taglio dal lato interno e allentare la pressione sulla lima durante il movimento di ritorno.
3. Ruotare il prodotto e ripetere l'operazione dall'altro lato.
4. Affilare facendo in modo che tutti i denti siano di uguale lunghezza. Quando la lunghezza dei denti di taglio si riduce a 4 mm (5/32"), la catena è usurata e va sostituita.(Fig. 77 )

## Regolazione del misuratore di profondità

Affilare i denti di taglio prima di regolare il misuratore di profondità. Vedere *Affilatura dei denti di taglio alla pagina 209*. Affilandolo il dente di taglio (A), si riduce l'altezza del misuratore di profondità (C). Per mantenere le migliori prestazioni di taglio, il misuratore di profondità (B) va limato fino a raggiungere l'impostazione del misuratore di profondità consigliata. Per la corretta impostazione del misuratore di profondità per ciascun tipo di catena, vedere *Combinazioni di affilatura della catena e catena alla pagina 212*.

(Fig. 78 )

(Fig. 79 )

**Nota:** Questa raccomandazione presuppone che i denti di taglio non siano stati affilati a una lunghezza anomala.

Utilizzare una lima piatta e un utensile misuratore di profondità per regolare il misuratore di profondità.

1. Posizionare l'utensile misuratore di profondità sopra la catena. Le informazioni dettagliate riguardanti l'uso dell'utensile misuratore di profondità sono riportate sulla confezione.
2. Utilizzando la lima piatta, asportare la punta del misuratore di profondità che sporge dall'utensile misuratore di profondità. L'impostazione del misuratore di profondità è corretta quando, facendo scorrere la lima sull'utensile misuratore di profondità, non si incontra alcuna resistenza.

## Tensionamento della catena

**Nota:** Controllare spesso la tensione di una catena nuova durante il periodo di rodaggio.

1. Allentare i dadi della barra di guida che fissano il coperchio del pignone. Servirsi della chiave universale. (Fig. 80 )
2. Serrare manualmente i dadi della barra di guida il più a fondo possibile.
3. Sollevare la parte superiore della barra di guida ed estendere la catena serrando la vite tendicaten. Servirsi della chiave universale. Tendere la catena fino a farla aderire alla parte inferiore della barra di guida. (Fig. 81 )
4. Serrare i dadi della barra di guida con la chiave universale e sollevare contemporaneamente la punta della barra di guida. (Fig. 82 )
5. Assicurarsi che sia possibile tirare liberamente la catena a mano senza piegarla.(Fig. 83 )

## Per lubrificare l'attrezzatura di taglio

### Controllo della lubrificazione della catena

Controllare la lubrificazione della motosega a ogni rifornimento.

1. Avviare il prodotto e farlo girare a 3/4 del proprio regime. Rivolgere la punta della barra di guida verso una superficie chiara ad almeno 20 cm (8 pollici) di distanza.
2. Dopo 1 minuto di funzionamento, sulla superficie chiara è visibile una traccia d'olio.
3. Se dopo 1 minuto la traccia d'olio non è visibile, pulire il canale di lubrificazione nella barra di guida. Pulire la scanalatura sul bordo della barra di guida. Assicurarsi che il pignone puntale della barra di guida giri liberamente e che il foro di lubrificazione non sia ostruito. Pulire e lubrificare il pignone di punta.
4. Avviare il prodotto e farlo girare a 3/4 del proprio regime. Rivolgere la punta della barra verso una superficie chiara ad almeno 20 cm (8 pollici) di distanza.
5. Dopo 1 minuto di funzionamento, sulla superficie chiara è visibile una traccia d'olio.
6. Se dopo 1 minuto la traccia d'olio non è visibile, rivolgersi al proprio concessionario autorizzato.

## TRASPORTO

- Svuotare i serbatoi del carburante e dell'olio della catena prima del trasporto. Smaltire correttamente i liquidi usati.
- Posizionare il coperchio della barra di guida sul gruppo di taglio durante il trasporto. Questo impedisce alle persone di toccare accidentalmente la catena affilata. Una catena non in funzione può causare lesioni all'operatore o ad altre persone che entrano in contatto con una catena affilata.
- Rimuovere dalla candela il cappuccio della candela e inserire il freno della catena prima del trasporto.
- Assicurarsi che il prodotto non possa muoversi durante il trasporto.

## RIMESSAGGIO

- Conservare sempre il prodotto in modo sicuro quando non è in funzione. Perdite e fumi dal prodotto possono entrare in contatto con scintille o fiamme vive generate da apparecchiature elettriche, rasaerba elettrici, relè/interruttori, caldaie, ecc.
- Conservare sempre il carburante in un contenitore omologato.
- Svuotare i serbatoi del carburante e dell'olio della catena in caso di rimessaggio del prodotto per periodi di tempo prolungati. Smaltire correttamente i liquidi usati.
- Durante il rimessaggio, mettere sulla barra di guida il coperchio della barra di guida. Questo impedisce alle persone di toccare accidentalmente la catena affilata. Una catena non in funzione può causare gravi lesioni all'operatore o ad altre persone che entrano in contatto con una catena affilata.
- Rimuovere dalla candela il cappuccio della candela e inserire il freno della catena prima del rimessaggio.

## DATI TECNICI

	unità	120 Mark II (P02138HV)
Specifiche motore		

	<b>unità</b>	<b>120 Mark II (P02138HV)</b>
Cilindrata	cm <sup>3</sup>	38
Candela		Champion RCJ7Y
Distanza tra gli elettrodi	mm (pollici)	0,5 (0,02)
Volume serbatoio del carburante	cm <sup>3</sup>	300
Regime minimo	min <sup>-1</sup>	2800-3200
Potenza erogata a 9000 giri/min	kW	1,4
Periodo di durata delle emissioni	h	50
<b>Dati relativi a rumorosità e vibrazioni</b>		
Livelli di vibrazioni equivalenti, a $h_{veq}$ impugnatura anteriore <sup>66</sup>	m/s <sup>2</sup>	4,5
Livelli di vibrazioni equivalenti, a $h_{veq}$ impugnatura posteriore <sup>67</sup>	m/s <sup>2</sup>	6,0
Livello di potenza acustica, garantito ( $L_{WA}$ ) <sup>68</sup>	dB(A)	116
Livello di potenza acustica, misurato <sup>69</sup>	dB(A)	110
Livello di pressione acustica all'orecchio dell'operatore <sup>70</sup>	dB(A)	95
<b>Dimensioni del prodotto</b>		
Peso (esclusa attrezzatura di taglio)	kg	4,9
Capacità serbatoio dell'olio	cm <sup>3</sup>	200
<b>Carburante e sistema di lubrificazione</b>		
Portata della pompa dell'olio a 9000 min <sup>-1</sup>	ml/min	7
Capacità serbatoio dell'olio	cm <sup>3</sup>	200
Tipo di pompa dell'olio		Automatica
<b>Catena e barra di guida</b>		
Lunghezza barra di guida standard	cm (pollici)	35-40 (14-16)
Lunghezze della barra consigliate	cm (pollici)	35-45 (14-18)
Lunghezza di taglio effettiva	cm (pollici)	34-39 (13,5-15,5)
Velocità massima della catena	m/s	22,3
Passo della catena	mm (pollici)	8,3 (0,325)
		9,52 (3/8)

<sup>66</sup> Il livello di vibrazioni equivalente, ai sensi della norma ISO 22867, è calcolato come la quantità di energia, in media ponderata rispetto al tempo, dei livelli di vibrazione a diverse condizioni di esercizio. I dati riportati per il livello di vibrazione equivalente hanno una dispersione statistica tipica (deviazione standard) di 1 m/s<sup>2</sup>.

<sup>67</sup> Il livello di vibrazioni equivalente, ai sensi della norma ISO 22867, è calcolato come la quantità di energia, in media ponderata rispetto al tempo, dei livelli di vibrazione a diverse condizioni di esercizio. I dati riportati per il livello di vibrazione equivalente hanno una dispersione statistica tipica (deviazione standard) di 1 m/s<sup>2</sup>.

<sup>68</sup> Emissioni di rumore nell'ambiente misurate come potenza acustica ( $L_{WA}$ ).

<sup>69</sup> Emissioni di rumore nell'ambiente misurate come potenza acustica ( $L_{WA}$ ).

<sup>70</sup> Il livello di pressione acustica equivalente è calcolato come la quantità totale di energia, in media ponderata rispetto al tempo, dei livelli di pressione acustica a diverse condizioni di esercizio. La dispersione statistica tipica del livello di pressione acustica equivalente è una deviazione standard di 1 dB (A).

	<b>unità</b>	<b>120 Mark II (P02138HV)</b>
Spessore delle maglie di trascinamento (calibro)	mm (pollici)	1,3 (0,05)
Tipo di pignone guida		Fisso
Numero di denti del pignone guida		6 (pignone guida 3/8) 7 (pignone guida 0,325)

## ACCESSORI

### Combinazioni barra di guida e catena

I gruppi di taglio riportati di seguito sono approvati per il prodotto.

Barra di guida				Catena	
Lunghezza, cm (pollici)	Passo, mm (pollici)	Larghezza della scanalatura, mm (pollici)	Raggio max. puntale	Tipo	Numero di maglie di trascinamento
33 (13)	8,25 (0,325)	1,3 (0,050)	10T	Husqvarna H30	56
38 (15)	8,25 (0,325)				64
35 (14)	9,52 (3/8)		7T	Husqvarna H37	52
40 (16)	9,52 (3/8)				56
45 (18)	9,52 (3/8)				62

### Combinazioni di affilatura della catena e catena

Catena					
Tipo di catena	Dimensione della lima tonda	Angolo della piastra laterale	Angolo della piastra superiore	Angolo di guida della lima	Impostazione del misuratore di profondità
H30	3/16 poll. / 4,8 mm	60°	30°	10°	0,025 poll. / 0,65 mm
H37	5/32 poll. / 4,0 mm	60°	30°	0°	0,025 poll. / 0,65 mm

## CONTENUTO DELLA DICHIARAZIONE DI CONFORMITÀ CE

Husqvarna AB, SE-561 82 Huskvarna, Svezia, dichiara sotto la propria esclusiva responsabilità che il prodotto indicato:

Descrizione	Motosega a benzina
Marchio	Husqvarna

<b>Descrizione</b>	<b>Motosega a benzina</b>
Piattaforma / Tipo / Modello	Piattaforma P02138HV, rappresentante il modello 120 Mark II
Lotto	A partire dal numero di serie 2018

è pienamente conforme alle seguenti norme e direttive UE:

<b>Direttiva/norma</b>	<b>Descrizione</b>
2006/42/CE	"relativa alle macchine"
2014/30/UE	"sulla compatibilità elettromagnetica"
2000/14/CE	"sul rumore esterno"

Le norme armonizzate e/o specifiche tecniche applicate sono le seguenti: EN ISO 12100, EN ISO 11681-1, CISPR 12, ISO 14982

In conformità alla direttiva 2000/14/CE, Allegato V, i valori per i livelli sonori dichiarati sono riportati nella sezione Dati tecnici del presente manuale e nel documento firmato Dichiarazione di conformità CE.

L'ente notificato per le macchine (notifica n. 0197) TÜV Rheinland LGA Products GmbH, Tillystraße 2 - 90431 Norimberga, Germania, ha eseguito il test di omologazione CE in base alla direttiva 2006/42/CE, articolo 12, punto 3b.

Il certificato di omologazione, in conformità all'allegato IX, come indicato nella Dichiarazione di conformità firmata, si applica a tutti i siti produttivi e paesi d'origine, così come riportati sul prodotto.

La presente motosega è conforme al campione sottoposto a controllo CE.

---

## TURINYS

---

ĮVADAS.....	214	TRANSPORTAVIMAS.....	224
SAUGA.....	215	LAIKYMAS.....	224
SURINKIMAS.....	219	TECHNINIAI DUOMENYS.....	225
NAUDOJIMAS.....	219	PRIEDAI.....	226
PRIEŽIŪRA.....	222	EB ATITIKTIES DEKLARACIJOS TURINYS.....	227

---

## ĮVADAS

---

### Naudojimo instrukcija

Pirminė šios naudojimo instrukcijos kalba yra anglų.  
Naudojimo instrukcijos kitomis kalbomis yra verstos iš anglų kalbos.

### Apžvalga

(Pav. 1 )

1. Gaminio ir serijos numerio plokštelė
2. Gaiduko fiksatorius
3. Priekinė rankena
4. Cilindro dangtelis
5. Grandinės stabdis ir mechaninio saugiklio svertas
6. Duslintuvas
7. Buferis
8. Priekinė pjovimo juostos žvaigždutė
9. Dešinėsios rankos apsauginis skydas
10. Gaidukas
11. Žvaigždutės gaubtas
12. Grandinės gaudiklis
13. Kreipiančioji juosta
14. Pjūklų grandinė
15. Starterio rankenėlė
16. Grandinės alyvos bakas
17. Starteris
18. Kuro bakelis
19. Oro sklendė
20. Galinė rankena
21. Stabdymo jungiklis
22. Tuščiosios eigos reguliavimo varžtas
23. Kuro siurbliukas
24. Informacinė ir įspėjimo lentelė
25. Grandinės įtempimo varžtas
26. Kreipiančiosios juostos dangtelis
27. Kombinuotasis įrankis
28. Alyva dvitaktiams varikliams
29. Naudotojo vadovas (EPA)

### Simboliai ant gaminio

(Pav. 2 ) Įspėjimas

(Pav. 3 ) Perskaitykite šias instrukcijas

Naudokite patvirtintą galvos apsaugą,  
apsaugines ausines ir akių apsaugos  
priemones

(Pav. 4 ) Naudokite patvirtintas apsaugines pirštines

(Pav. 6 ) Šis gaminys atitinka taikomas EB direktyvas

(Pav. 7 ) Triukšmingumas

Grandinės stabdys, neįjungtas (kairėje).  
Grandinės stabdys, įjungtas (dešinėje).

(Pav. 9 ) Oro sklendė

(Pav. 10 ) Kuro siurbliukas

(Pav. 11 ) Degalų papildymas

(Pav. 12 ) Grandinės alyvos pripildymas

(Pav. 13 ) Šis gaminys atitinka taikomas EAC  
direktyvas

(Pav. 14 ) Šis gaminys atitinka taikomas Ukrainos  
direktyvas

(Pav. 15 ) Triukšmo lygis

(Pav. 16 ) Tvirtai laikykite gaminį abejomis rankomis

(Pav. 17 ) Nenaudokite laikdami viena ranka

(Pav. 18 ) Venkite kontakto kreipiančiosios juostos  
galu

(Pav. 19 ) Saugokitės atatrancos

Šis gaminys atitinka taikomas Australijos ir  
Naujosios Zelandijos elektromagnetinio  
suderinamumo direktyvas.

(Pav. 20 )

**Pasižymėkite:** Kiti ant gaminio pateikti simboliai (lipdukai), skirti kitų komercinių teritorijų sertifikavimo reikalavimams.

## Gaminio patikimumas

Kaip nurodyta atsakomybės už gaminį įstatymuose, mes nesame atsakingi už mūsų gaminio sukeltą žalą, jei:

- gaminys netinkamai suremontuotas.
- gaminys suremontuotas naudojant kito gamintojo arba gamintojo nepatvirtintas dalis.
- gaminys turi kito gamintojo arba gamintojo nepatvirtintą priedą.
- gaminys suremontuotas ne patvirtintame techninės priežiūros centre arba jį suremontavo ne patvirtintas atstovas.

## SAUGA

### Saugos ženklų reikšmės

Toliau apibrėžiamas signalinių žodžių žymimas pavojus.



**PERSPĖJIMAS:** Gali susižeisti asmenys.



**PASTABA:** Galima sugadinti gaminį.

**Pasižymėkite:** Ši informacija padeda gaminį naudoti saugiau.

### Bendrieji saugos nurodymai

- Naudokite gaminį tinkamai. Netinkamai naudojant galima susižeisti arba žūti. Produktą naudokite tik šiame vadove nurodytiems darbams. Nenaudokite gaminio kitiems darbams.
- Perskaitykite, supraskite ir vadovaukitės šio vadovo instrukcijomis. Paisykite saugos simbolių ir saugos nurodymų. Naudotojiui nepaisant instrukcijų ir simbolių, galima susižeisti, sugadinti įrangą arba žūti.
- Neišmeskite šio vadovo. Šias instrukcijas naudokite gaminiui surinkti, naudoti ir prižiūrėti. Šias instrukcijas naudokite priedams tinkamai prijungti. Naudokite tik patvirtintus priedus.
- Sugadinto gaminio nenaudokite. Paisykite priežiūros grafiko. Atlikite tik šiame vadove aprašytus priežiūros darbus. Visus kitus priežiūros darbus turi atlikti patvirtintas techninės priežiūros centras.
- Šiame vadove negali būti numatytos visos situacijos, su kuriomis galite susidurti naudodami gaminį. Būkite atsargūs ir apdairūs. Gaminio nenaudokite ir neatlikite priežiūros darbų, jei nesate tikri dėl jo būklės. Jei reikia informacijos, kreipkitės į gaminio ekspertą, pardavimo atstovą, techninės priežiūros atstovą arba patvirtintą techninės priežiūros centrą.
- Prieš surinkdami gaminį, ruošdami jį saugoti arba atlikdami priežiūros darbus, atjunkite uždegimo žvakės kabelį.
- Nenaudokite gaminio, jei pasikeitė jo pradiniai techniniai duomenys. Nekeiskite gaminio dalių, neturinčių gamintojo patvirtinimo. Naudokite tik

- gamintojo patvirtintas dalis. Netinkamai prižiūrint gaminį galima susižeisti arba žūti.
- Neįkvėpkite variklio skleidžiamų dujų. Ilgą laiką įkvėpiant variklio išmetamųjų dujų, grandinės alyvos pusrūčių ir pjovimo dulkių, gali kilti pavojus sveikatai.
- Neužveskite gaminio patalpoje arba greta degių medžiagų. Išmetamosios dujos yra karštos, jose gali būti kibirkščių, kurios gali sukelti gaisrą. Jei stinga oro, galima pakenkti sveikatai arba žūti uždusęs ar apsinuodijęs anglies monoksidu.
- Šis gaminys veikdamas sukuria elektromagnetinį lauką. Elektromagnetinis laukas gali sugadinti medicininius implantus. Prieš pradėdami naudoti šį gaminį, pasitarkite su savo gydytoju ir medicininio implanto gamintoju.
- Neleiskite gaminio naudoti vaikams.
- Neleiskite gaminio naudoti su instrukcijomis nesusipažinusiems asmenims.
- Visada prižiūrėkite gaminį naudojančių fizinę arba protinę negalią turintį asmenį. Būtina nuolatinei atsakingo suaugusiojo priežiūra.
- Užrakinkite gaminį vaikams ir nepatvirtintiems asmenims nepasiekiamoje vietoje.
- Iš gaminio gali išskrieti ir sužaloti pašaliniai objektai. Paisykite saugos nurodymų, kad sumažėtų sužeidimų arba žūties pavojus.
- Nepalikite gaminio be priežiūros, kai užvestas variklis. Išjunkite variklį ir įsitinkinkite, kad grandinė nesisuka.
- Už nelaimingą įvykį atsakingas gaminio naudotojas.
- Prieš naudodami gaminį įsitinkinkite, kad jo dalys nepažeistos.
- Atsižvelkite į nacionalinius arba vietinius įstatymus. Jie gali drausti arba riboti gaminio naudojimą konkrečiomis sąlygomis.

### Saugos nurodymai dėl darbo

- Nepertraukiamai arba reguliariai naudojantis gaminio, dėl vibracijos gali atsirasti baltų pirštų sindromas arba panašios medicininės problemos. Jei gaminiui dirbate nepertraukiamai arba reguliariai, įvertinkite savo rankų ir pirštų būklę. Jei rankų ar pirštų spalva pakitusi, jaučiate skausmą, dilgčiojimą ar nutirpimą, nustokite dirbti ir nedelsdami kreipkitės į gydytoją.
- Prieš naudodami gaminį įsitinkinkite, kad produktas visiškai surinktas.

- Iš gaminio gali išskrieti pašaliniai objektai, kurie gali pažeisti akis. Dirbdami gaminiu visada naudokite patvirtintas akių apsaugos priemonės.
- Būkite apdairūs – darbo metu be jūsų žinios prie gaminio gali prisitrinti vaikai.
- Jei darbo zonoje yra pašalinių asmenų, gaminio nenaudokite. Į darbo zoną įžengus pašaliniams asmeniui, išjunkite gaminį.

(Pav. 21 )

- Pasirūpinkite, kad niekada nepararastumėte gaminio kontrolės.
- Gaminį turi būti dirbama laikant jį dviem rankomis. Nedirbkite gaminiu laikydami jį viena ranka. Jei dirbama laikant gaminį viena ranka, gali būti rimtai sužeistas operatorius, darbuotojai ir (arba) aplinkiniai.
- Laikykite priekinę rankeną kairiaja, o galinę – dešiniąja ranka. Gaminį laikykite dešinėje kūno pusėje.

(Pav. 22 )

- Nenaudokite gaminio, jeigu esate pavargę, sergate arba vartojote alkoholio ar kitų narkotinių medžiagų.
- Nenaudokite gaminio, jei nelaimės atveju negalėtumėte sulaukti pagalbos. Prieš pradėdami naudoti įrenginį pasirūpinkite, kad aplinkiniai žinotų, jog ketinate naudoti įrenginį.
- Nesisukite su gaminiu prieš tai neišsitikinę, kad saugioje zonoje nėra pašalinių asmenų arba gyvūnų.
- Prieš pradėdami pašalinkite iš darbo zonos visus pašalinius objektus. Grandinei užkliudžius pašalinį objektą, objektas gali būti išsviestas ir sužaloti arba sugadinti įrangą. Pašalinės medžiagos gali apsvyoti aplink grandinę ir sugadinti gaminį.
- Nenaudokite gaminio prastu oru, pvz., esant rūkui, lietu, stipriam vėjui, žaibo tikimybei ar kitoms nepalankioms oro sąlygoms. Dėl prasto oro gali susidaryti pavojingos sąlygos, pvz., slidūs paviršiai.
- Įsitinkite, kad galite judėti laisvai ir dirbti stabilioje padėtyje.
- Įsitinkite, kad naudodami įrenginį nenugriūsite. Naudodami gaminį nepadirkite.
- Gaminį visada laikykite abiem rankomis. Laikykite priekinę rankeną kairiaja, o galinę – dešiniąja ranka. Gaminį laikykite dešinėje kūno pusėje.
- Jei užvedant variklį oro sklendės rankenėlė yra uždarytos oro sklendės padėtyje, grandinė pradeda sukstis.
- Prieš perkeldami gaminį išjunkite variklį.
- Nepadėkite gaminio, kai užvestas variklis.
- Prieš šalindami iš gaminio pašalines medžiagas, išjunkite variklį. Jei jūs ar pagalbininkas ketina pašalinti nupjautą medžiagą, palaukite, kol grandinė nustos sukstis.
- Nepjaukite šiuo gaminiu įsilipę į medį. Jeigu naudosis gaminį įsilipę į medį, galite susižeisti.

(Pav. 23 )

- Užvedant gaminį grandinės stabdys turi būti įjungtas, kad sumažėtų pavojus užvedimo metu prisiliesti prie pjūklo grandinės.

(Pav. 24 )

- Venkite atatranks, nuslydimo, atšokimo ir staigaus nusileidimo, nes galite rimtai susižeisti ir sužeisti kitus.
- Laikykitės visų saugos taisyklių, kad išvengtumėte atatranks ir kitų jėgų, dėl kurių galite rimtai susižeisti ir sužeisti kitus.
- Reguliariai sureguliuokite pjūklo grandinės įtempimą, kad užtikrintumėte, jog grandinė nėra atsilaisvinusi. Atsilaisvinusi pjūklo grandinė gali nukristi ir sunkiai ar net mirtinai sužeisti.
- Nekirkite medžių naudodami netinkamą procedūrą. Galite sužeisti asmenis, kliudyti inžinerines linijas ar apgadinti nuosavybę.
- Dirbantysis pjūklui turi laikytis įkalnės pusėje, nes nuverstas medis veikiausiai riedės arba slys į pakalnę.

(Pav. 25 )

- Prieš pradėdami pjovimo darbus, suplanuokite ir atlaisvinkite atsitraukimo kelią. Atsitraukimo kelias turi driektis už numatomos medžio kritimo linijos ir įstrižai jai.

(Pav. 26 )

- Prieš pernešdami gaminį nuo vieno medžio prie kito, visada išjunkite variklį.
- Eidami tvirtai statykite kojas ant žemės ir tolygiai paskirstykite savo svorį.

(Pav. 27 )

- Visuomet tvirtai stovėkite ant kojų ir naudokite gaminį tik tuomet, kai stovite ant nejudančio, tvirto ir lygaus paviršiaus. Ant slidžių arba nestabilių paviršių, pvz., kopėčių, galite prarasti pusiausvyrą arba kontrolę.

(Pav. 28 )

## Atatranka, nuslydimas, atšokimas ir staigus nusileidimas

Saugiam gaminio valdymui įtakos gali turėti skirtingos jėgos.

- **Nuslydimas** – kai kreipiančioji juosta greitai praslysta medienos paviršiumi.
- **Atšokimas** – kai kreipiančioji juosta pakartotinai pakyla nuo medienos ir, nusileidusi, vėl ją paliečia.
- **Staigus nusileidimas** – kai gaminys, baigus pjauti, nusileidžia žemyn. Tokiu metu besisukanti grandinė gali paliesti kūno dalį ar kitus objektus ir sužeisti arba ką nors apgadinti.
- **Atatranka** – kai kreipiančiosios juostos galas paliečia objektus ir pajuda atgal, į viršų arba staiga į priekį. Atatranka taip pat įvyksta tada, kai jaunamos medienos tarpas susiaurėja ir pjūklo grandinė pjovimo metu suspaudžiama. Gaminiai palietus



medienoje esantį objektą, galima prarasti gaminio kontrolę.

(Pav. 29 )

- **Rotacinė atatranka** gali pasireikšti tada, kai judanti grandinė objektą paliečia kreipiančiosios juostos viršutinėje dalyje. Tokiu atveju grandinė gali įstrigti objekte ir iškart nustoti judėti. Rezultatas – labai greitas atoveiksmis priešinga kryptimi, pakeliantis kreipiančiąją juostą aukšty n ir atgal, link operatoriaus.

(Pav. 30 )

(Pav. 31 )

- **Suspaudimo atatranka** gali pasireikšti tada, kai judanti grandinė plovimo metu staiga sustoja. Mediena užsiveria ir suspaudžia judančią pjūklą grandinę kreipiančiosios juostos viršuje. Grandinei staiga sustojus, jos sukimosi jėgos kryptis pasikeičia į priešingą ir gaminys priverčiamas judėti priešinga kryptimi. Gaminys pradeda judėti atgal, link operatoriaus.

(Pav. 32 )

- **Itraukimas** gali pasireikšti tada, kai judanti pjūklą grandinė, apatine kreipiančiosios juostos dalimi palietusi medienoje esantį objektą, staiga sustoja. Grandinei staiga sustojus, gaminys patraukiamas į priekį, tolyn nuo operatoriaus, todėl operatorius gali lengvai prarasti gaminio kontrolę.

(Pav. 33 )

Prieš naudodami gaminį įsitikinkite, kad suprantate, kaip veikia skirtingos jėgos ir kaip jų išvengti.

## Kaip išvengti atatrankos, nuslydimo, atšokimo ir staigaus nusileidimo

- Kai variklis veikia, laikykite gaminį tvirtai. Dešinę ranką laikykite ant galinės rankenos, o kairę ranką – ant priekinės rankenos. Tvirtai laikykite rankenas apglėbę pirštais. Nepaleiskite.
- Valdykite gaminį plovimo metu ir medžiui jau nukritus ant žemės. Nupjovę, neleiskite gaminiumi dėl jo svorio staiga nusileisti. (Pav. 34 )
- Įsitikinkite, kad vietoje, kurioje pjaunate, nėra kliuvinių. Kai naudojate gaminį, neleiskite kreipiančiosios juostos galui paliesti rąsto, šakos ar kitų kliuvinių.
- Pjaukite palaikydami aukštas variklio apsakas.
- Nesistenkite pasiekti tolimos šakos ir nepjaukite aukščiau savo pečių linijos. (Pav. 35 )
- Laikykites gamintojo pateiktų grandininio pjūklą galandimo ir techninės priežiūros instrukcijų.
- Naudokite tik gamintojo nurodytas kreipiančiąsias juostas ir pjūklą grandines.
- Per didelės gylio reguliavimo ribotuvo nustatymas padidina pjūklą grandinės atatrankos pavojų.

## Asmeninės apsauginės priemonės

- Dirbdami gaminiu visada naudokite tinkamas asmenines apsaugines priemones. Asmeninės apsauginės priemonės nepašalina sužeidimų pavojaus. Asmeninės apsauginės priemonės sumažina sužalojimų laipsnį nelaimės atveju.
- Apranga neturi varžyti judesių ir negali būti per didelė.
- Naudokite patvirtintą apsauginį šalną.
- Dirbdami gaminiu visada naudokite apsaugines ausines. Ilgalais triukšmas gali pakenkti klausai.
- Naudokite apsauginius akinius ar antveidį, kad sumažintumėte pavojų susižeisti nuo išsviestų objektų. Gaminys didelė jėga gali išsviesti objektus, pvz., pjuvenas, mažus medienos gabaliukus ir pan. Tai gali rimtai sužeisti, ypač akis.
- Naudokite pirštines su apsauga nuo grandininio pjūklų.
- Naudokite kelnes su apsauga nuo grandininio pjūklų.
- Nešiokite batus su apsauga nuo grandininio pjūklų, plienine nosimi ir padų apsauga nuo slydimo.
- Šalia visada turėkite pirmosios pagalbos rinkinį.
- Kibirštys gali kilti iš duslintuvo, nuo kreipiančiosios juostos, pjūklą grandinės arba kito šaltinio. Visada turėkite gaisro gesinimo priemonių ir kastuvą, kad galėtumėte apsaugoti mišką nuo gaisro.

## Gaminio apsauginės priemonės

- Nepamirškite reguliariai atlikti gaminio priežiūros darbus.
  - Gaminio tarnavimo trukmė padidėja.
  - Nelaimių pavojus sumažėja.

Reguliariai perduokite gaminį patvirtintam pardavimo atstovui arba techninės priežiūros centrui, kuriame jis bus apžiūretas ir pakoreguotas arba suremontuotas.

- Nenaudokite gaminio, jei jo apsauginės priemonės pažeistos. Jei gaminys pažeistas, kreipkitės į patvirtintą techninės priežiūros centrą.

## Stabdymo jungiklis

Įjunkite variklį. Įsitikinkite, kad variklis sustoja, kai perjungiate stabdymo jungiklį į išjungimo padėtį.

## Kaip patikrinti akceleratoriaus gaiduko fiksatorių

1. Įsitikinkite, kad atleidis gaiduko fiksatorių (A), gaidukas (B) užfiksuojamas tuščiosios eigos padėtyje. (Pav. 36 )
2. Paspauskite gaiduko fiksatorių (A) ir patikrinkite, ar atleidis jis grįžta į savo pradinę padėtį.
3. Paspauskite gaiduką (B) ir patikrinkite, ar atleidis jis grįžta į savo pradinę padėtį.
4. Užveskite variklį ir iki galo nuspauskite gaiduką, kad pasiektumėte didžiausią greitį.

5. Atleiskite gaiduką ir patikrinkite, ar pjūklo grandinė sustoja.
6. Jei pjūklo grandinė sukasi, kai variklis veikia tuščiaja eiga, patikrinkite karbiuratoriaus tuščiosios eigos reguliavimo varžtą.

### Skymas

Skymas apsaugo naudotoją, kad jį nepataikytų išmetami objektai. Skymas taip pat apsaugo, kad naudotojas netyčia nepaliestų pjūklo grandinės.

- Įsitikinkite, kad skydą leidžiama naudoti kartu su gaminiumi.
- Nenaudokite gaminio be skydo.
- Įsitikinkite, kad skydas nepažeistas. Pakeiskite skydą, jei jis nusidėvėjęs ar įtrūkęs.

### Saugumo reikalavimai kurui

- Neužveskite gaminio, jei ant gaminio yra kuro arba variklio alyvos. Nuvalykite nepageidaujamą kurą / alyvą ir palaukite, kol gaminys išdžius. Nuvalykite nuo gaminio nepageidaujamą kurą.
- Apsipylę drabužius kuru nedelsiant persirenkite.
- Neapsipilkite kūno kuru, nes jis gali sužaloti.
- Apsipylę kūną kuru, jį nusiplaukite muilu ir vandeniui.
- Neužveskite variklio, jei apliejote gaminį arba kūną alyva arba kuru.
- Neužveskite gaminio, jei iš variklio sunkiasi skysčiai. Reguliariai tikrinkite, ar iš variklio nesisunkia skysčiai.
- Atsargiai elkitės su kuru. Kuras yra degus, o jo garai – sprogūs, todėl neatsargiai elgiantis galima susižaloti arba žūti.
- Neįkvėpkite kuro garų, nes jie gali sužaloti. Pasirūpinkite tinkamu vėdinimu.
- Nerūkykite greta kuro arba variklio.
- Nedėkite šiltų objektų greta kuro arba variklio.
- Nepilkite kuro, kai variklis užvestas.
- Prieš pildami kurą įsitikinkite, ar variklis ataušęs.
- Prieš pildami kurą lėtai atidarykite kuro bakelio dangtelį ir atsargiai išleiskite slėgį.
- Nepilkite į variklį kuro būdami patalpoje. Dėl oro stygiaus galima susižaloti arba žūti uždusęs arba apsinuodijęs anglies monoksidu.
- Kruopščiai priveržkite kuro bakelio dangtelį, nes antraip gali kilti gaisras.
- Prieš pradėdami darbą patraukite gaminį mažiausiai 3 m (10 pėdų) nuo vietos, kurioje pylėte kurą.
- Nepripilkite į kuro bakelį pernelyg daug kuro.
- Pasirūpinkite, kad perkeliant gaminį arba kuro bakelį iš jo neišsiliėtų kuras.

- Nestatykite gaminio arba kuro bakelio greta atviros liepsnos, kibirkščių arba degiklio. Įsitikinkite, kad laikymo patalpoje nėra atviros liepsnos.
- Kurą gabenkite ir laikykite tik patvirtintuose bakeliuose.
- Prieš palikdami gaminį saugoti ilgesniam laikui, ištuštinkite kuro bakelį. Kurą utilizuokite atsižvelgdami į vietinius įstatymus.
- Nuvalykite gaminį prieš palikdami jį saugoti ilgesniam laikui.
- Prieš palikdami gaminį saugoti ilgesnį laiką atjunkite uždegimo žvakės kabelį, kad variklis netikėtai neužsivestų.

### Priežiūros saugos instrukcijos

- Prieš atlikdami gaminio priežiūros darbus (išskyrus karbiuratoriaus reguliavimą), atjunkite uždegimo žvakę.
- Visus gaminio aptarnavimo darbus, išskyrus užduotis, aprašytas skyriuje *PRIEŽIŪRA psl. 222*, turi atlikti patvirtintas pardavėjas.
- Patikrinkite, ar pjūklo grandinė sustoja atleidus akceleratoriaus gaiduką.
- Pasirūpinkite, kad rankenos būtų sausos, švarios ir nesuteptos alyva ar kuro mišiniu.
- Dangteliai ir tvirtinimo elementai turi būti tinkamai užveržti.
- Naudojant nepatvirtintus komponentus arba nuėmus saugos įtaisus, galima pažeisti gaminį. Taip pat gali būti sužeistas operatorius ar šalia esantys asmenys. Naudokite tik originalius priedus ir atsargines dalis. Nekeiskite gaminio.
- Kad darbas vyktų saugiai ir efektyviai, pasirūpinkite, kad pjūklo grandinė būtų aštri ir švari.
- Laikykitės priedų tepimo ir keitimo nurodymų.
- Patikrinkite, ar nėra apgadintų gaminio dalių. Prieš toliau naudodami gaminį įsitikinkite, kad apgadintas skydas ar dalis veikia tinkamai. Patikrinkite, ar nėra sulūžusių ar netinkamai sulygiuotų dalių ir dalių, kurios negali laisvai judėti. Patikrinkite, ar nėra kitų sąlygų, kurios gali turėti įtakos gaminio veikimui. Įsitikinkite, kad gaminys sumontuotas tinkamai. Skydą ar kitą apgadintą dalį turi sutaisyti arba pakeisti patvirtintas pardavėjas, nebent naudojimo instrukcijoje nurodyta kitaip.
- Kai gaminys nenaudojamas, laikykite jį sausoje ir vaikams nepasiekiamoje arba užrakintoje vietoje.
- Gaminį transportuodami arba saugodami, naudokite kreipiančiosios juostos dangtelį.
- Nenaudokite panaudotos alyvos. Panaudota alyva gali būti jums pavojinga ir pakenkti gaminiumi bei aplinkai.

# SURINKIMAS



**PERSPĖJIMAS:** Prieš surinkdami gaminį perskaitykite ir supraskite skyrių apie saugą.

## Kreipiančiosios juostos ir pjūklo grandinės surinkimas

1. Patraukite priekinę rankos apsaugą link priekinės rankenos, kad išjungtumėte grandinės stabdį.
2. Atlenkite rankenėlę į atidarymo padėtį. (Pav. 37)
3. Pasukite rankenėlę prieš laikrodžio rodyklę, kad atlaisvintumėte juostos dangtelį. (Pav. 38)
4. Nuimkite rankenėlę (A) ir žvaigždutes gaubtą. Nuimkite gabenimo apsaugą, jei ji uždėta. (Pav. 39)
5. Užmaukite kreipiančiąją juostą ant juostos varžtų. Perstumkite kreipiančiąją juostą į tolimiausią galinę padėtį. Uždėkite grandinę ant varančiosios žvaigždutės ir įstatykite ją į griovelį kreipiančiojoje juostoje. Pradėkite nuo kreipiančiosios juostos viršutinės pusės. (Pav. 40)
6. Patikrinkite, ar pjaunančiųjų grandžių briaunos viršutinėje kreipiančiosios juostos pusėje yra nukreiptos į priekį.
7. Uždėkite žvaigždutes gaubtą ir į angą kreipiančiojoje juostoje įstatykite grandinės įtempimo kaištį. Įsitikinkite, kad grandinės varantieji nareliai tinkamai uždėti ant varančiosios žvaigždutės. Taip pat įsitikinkite, kad pjūklo grandinė tinkamai įstatyta į kreipiančiosios juostos griovelį. (Pav. 41)
8. Priveržkite pjūklo grandinę sukdamis ratuką į apačią (+). Veržkite grandinę, kol ji standžiai priglus prie kreipiančiosios juostos apatinės briaunos. (Pav. 42)

9. Pjūklo grandinė bus tinkamai priveržta, kai nebus nukarusi kreipiančiosios juostos apačioje, bet ją dar bus galima lengvai prasukti ranka.
10. Prilaikykite kreipiančiosios juostos galą ir sukite rankenėlę pagal laikrodžio rodyklę, kad priveržtumėte. (Pav. 43)
  - Sumontavę naują pjūklo grandinę ir kol ji bus įdirbta, dažnai tikrinkite jos įtempimą.
  - Reguliariai tikrinkite grandinės įtempimą. Jei grandinė įtempta tinkamai, užtikrinami geri pjovimo rezultatai ir ilgaamžiškumas.

## Grandinės stabdžio nustatymas iš naujo

Jei sankabos gaubtas netyčia nuimamas tada, kai grandinės stabdys yra užblokuotas, jį reikia atblokuoti, kad galėtumėte uždėti sankabos gaubtą nesutrikdydami sankabos būgno.



**PASTABA:** Grandinės stabdžio spyruoklė yra įtempta. Būkite atsargūs atstatydami grandinės stabdį.

**Pasižymėkite:** Atlikdami stabdžio nustatymą iš naujo, nelaikykite stabdžio juostos.

1. Sulygiuokite įkarpas ant juostos įrankio taip, kad jos atitiktų stabdžio sukamąją grandį. (Pav. 44)
2. Stabdžiui atstatyti į pradinę būklę sukite grandį pagal laikrodžio rodyklę iki sustojimo. Atblokavus stabdį priekinė grandis yra pasukta žemyn. (Pav. 45) (Pav. 46)

# NAUDOJIMAS



**PERSPĖJIMAS:** Prieš naudodami gaminį perskaitykite ir supraskite skyrių apie saugą.

## Kuro naudojimas



**PASTABA:** Gaminys turi dviejų ciklų variklį. Naudokite benzino ir dviejų ciklų varikliui skirtos variklio alyvos mišinį. Būtinai naudokite tinkamo alyvos kiekio mišinį. Netinkamas benzino ir alyvos santykis gali sugadinti variklį.

## Kuro mišinio santykis

Benzino ir dvitakčių variklių alyvos kuro mišinio santykis yra 50:1 (2%)

Benzinas	Dvitakčių variklių alyva
1 galonas (JAV)	77 ml (2,6 unc.)
1 galonas (JK)	95 ml (3,2 unc.)
5 l	100 ml (3,4 unc.)

## Kuro mišinio maišymas

1. Paruoškite tinkamą kiekį benzino ir variklio alyvos (mišinio santykis 50:1). Nemašykite kuro mišinio kiekio ilgesniam kaip 30 dienų laikotarpiui. Žr. *Kuro naudojimas psl. 219*.
2. Įpilkite pusę benzino kiekio į šviesią kuro talpą su vožtuvu, apsaugančiu nuo išliejimo.



**PASTABA:** Nenaudokite benzino, kurio etanolio koncentracija didesnė kaip 10 % (E10). Antraip galima sugadinti gaminį.



**PASTABA:** Nenaudokite benzino, kurio oktaninis skaičius yra mažesnis nei 90 RON (87 AKI). Antraip galima sugadinti gaminį.

**Pasižymėkite:** Jei gaminį dažnai naudojate esant nuolatinėms didelėms variklio apsukoms, naudokite didesnio oktaninio skaičiaus benzina.

3. Įpilkite į kuro talpą visą dvitaktių variklių alyvos kiekį.



**PASTABA:** Visada naudokite aukštos kokybės alyvą, skirtą oru aušinamiems dvitaktiams varikliams. Naudojant kitokio tipo alyvą, galima sugadinti gaminį.

4. Suplakite kuro mišinį, kad komponentai susimaišytų.  
5. Supilkite į kuro talpą likusį benzino kiekį.  
6. Suplakite kuro mišinį, kad komponentai susimaišytų.  
7. Supilkite kuro mišinį į gaminio kuro bakelį. Žr. *Kuro naudojimas psl. 219*.

## Kuro bakelio užpildymas

1. Įsitinkinkite, kad naudojamas tinkamas kuro mišinys ir kad jis paruoštas kuro talpoje su vožtuvu, apsaugančiu nuo išlijimo.  
2. Jei ant talpos yra išlieto kuro, nuvalykite jį ir palaukite, kol talpa išdžius.  
3. Įsitinkinkite, kad plotas aplink kuro bakelio dangtelį yra švarus.  
4. Nuimkite kuro bakelio dangtelį.  
5. Prieš pildami kuro mišinį į kuro bakelį, talpą su kuru suplakite.  
6. Uždėkite kuro bakelio dangtelį.

## Pjūklo grandinės tepimas

Gaminyje yra automatinė tepimo sistema. Pjūklo alyvos bakelio ir kuro bakeliai sukurti tokio dydžio, kad kuras pasibaigtų greičiau nei pjūklo alyva. Norint naudotis šia saugumo funkcija, reikia naudoti tinkamą grandinės alyvą ir paisyti instrukcijų.

1. Naudokite augalinės kilmės grandinės alyvą arba standartinę grandinės alyvą.  
2. Įsitinkinkite, kad plotas aplink pjūklo grandinės alyvos bakelio dangtelį yra švarus.  
3. Nuimkite pjūklo grandinės alyvos bakelio dangtelį.  
4. Užpildykite pjūklo grandinės alyvos bakelį rekomenduojama pjūklo grandinės alyva.  
5. Uždėkite pjūklo grandinės alyvos bakelio dangtelį.

## Užvedimas ir išjungimas

### Prieš paleidžiant variklį

- Apžiūrėkite, ar gaminiui netrūksta dalių, ar jis neturi pažeistų, nepritvirtintų arba susidėvėjusių dalių.
- Apžiūrėkite varžles ir varžtus.
- Apžiūrėkite oro filtrą.
- Apžiūrėkite gaiduko fiksatorių ir patikrinkite, ar gaidukas tinkamai veikia.
- Patikrinkite, ar tinkamai veikia išjungimo jungiklis.
- Patikrinkite, ar neprateka degalai.
- Patikrinkite pjūklo grandinės aštrumą ir įtampimą.

### Šalto variklio užvedimas

1. Pastumkite priekinę rankos apsaugą į priekį, kad įjungtumėte grandinės stabdį. (Pav. 47 )
2. Nuspauskite kuro siurbliuką 6 kartus. (Pav. 48 )
3. Oro sklendės rankenėlę perjunkite į visiškai uždarytos oro sklendės padėtį. (Pav. 49 )
4. Laikykite gaminio korpusą ant žemės kairiąją ranka. Įstumkite dešinę pėdą į galinę rankeną, kad stabilizuotumėte grandininį pjūklą. Lėtai traukite starterio virvę, kol pajusite pasipriešinimą. Tada stipriai patraukite starterio virvę 5 kartus. (Pav. 50 )

**Pasižymėkite:** Užvesdami variklį nespauskite gaiduko.

5. Oro sklendės rankenėlę perjunkite į neuždarytos oro sklendės padėtį.
6. Traukykite starterio virvės rankenėlę, kol variklis užsives. Užvedę variklį palaukite 60 sekundžių prieš nuspausdami gaiduką.



**PASTABA:** Netraukite starterio virvės iki pat galo. Nepaleiskite starterio virvės, kai ji visiškai ištraukta. Lėtai atleiskite starterio virvę. Nepaisydami šių nurodymų galite sugadinti variklį.

7. Patraukite priekinę rankos apsaugą link priekinės rankenos, kad išjungtumėte grandinės stabdį.
8. Laikykite galinę rankeną dešiniąja, o priekinę – kairiąją ranka.
9. Naudokitės gaminiu.

### Šilto variklio užvedimas

1. Pastumkite priekinę rankos apsaugą į priekį, kad įjungtumėte grandinės stabdį.
2. Nuspauskite kuro siurbliuką 6 kartus.
3. Oro sklendės rankenėlę perjunkite į visiškai uždarytos oro sklendės padėtį.
4. Oro sklendės rankenėlę perjunkite į neuždarytos oro sklendės padėtį.
5. Laikykite gaminio korpusą ant žemės kairiąją ranka. Įstumkite dešinę pėdą į galinę rankeną, kad stabilizuotumėte grandininį pjūklą. Lėtai traukite

starterio virvę, kol pajusite pasipriešinimą. Tada stipriai traukite starterio virvės rankenėlę, kol variklis užsives. (Pav. 51)

**Pasižymėkite:** Užvesdami variklį nespauskite gaiduko.



**PASTABA:** Netraukite starterio virvės iki pat galo. Nepaleiskite starterio virvės, kai ji visiškai ištraukta. Lėtai atleiskite starterio virvę. Nepaisydami šių nurodymų galite sugadinti variklį.

- Patraukite priekinę rankos apsaugą link priekinės rankenos, kad išjungtumėte grandinės stabdį.
- Laikykite galinę rankeną dešiniąja, o priekinę – kairiąja ranka.
- Naudokitės gaminiu.

## Variklio užvedimas, kai kuras per daug karštas

Jei gaminys neužsiveda, gali būti, kad kuras yra per daug karštas.

**Pasižymėkite:** Esant karštam orui, visada naudokite naują kurą, kad darbus atliktumėte greičiau.

- Padėkite gaminį vėsioje vietoje, atokiai nuo tiesioginių saulės spindulių.
- Leiskite gaminiiui atvėsti bent 20 minučių.
- Dar kartą 10–15 sekundžių nuspauskite kuro siurbliuką.
- Atlikite šalto variklio užvedimo procedūrą. Žr. *Šalto variklio užvedimas psl. 220*.

## Norėdami sustabdyti variklį

- Norėdami išjungti variklį, nuspauskite stabdymo mygtuką.

**Pasižymėkite:** Stabdymo jungiklis automatiškai grįžta į pradinę padėtį.

## Buferio naudojimas

Buferis neleidžia įvykti atatrakai ir laiko medieną, kai ją pjaunate. Buferis yra sukimosi taškas tarp variklio korpuso ir kreipiančiosios juostos.

- Padėkite apatinį buferio kraštą ties reikiamo pločio lankstu.
- Kaire ranka spauskite laikydami už priekinės rankenos ir tuo pačiu metu dešine ranka kelkite laikydami už galinės rankenos.
- Pjaukite, kol pasieksite tinkamą lanksto plotį.

**Pasižymėkite:** Lanksto storis turi būti vienodas.

- Nupjaukite daugiau nei pusę skersmens, tada įstatykite medžio vertimo pleišta į pjūvio vietą.

## Medžio vertimas

- Pašalinkite nuo medžio purvą, akmenis, atšokusią žievę, vinius, įkabas ir vielas.
- Padarykite trečdaliu medžio skersmens įpjovą, statmeną medžio kritimo kryptčiai. (Pav. 52)
- Padarykite apatinę horizontalią įpjovą. Tai padeda išvengti pjūko grandinės arba kreipiančiosios juostos prispaudimo darant antrąją įpjovą.
- Padarykite galinę vertimo įpjovą (X) bent 50 mm (2 col.) aukščiau už horizontalią įpjovą. Galinę vertimo įpjovą darykite lygiagrečiai horizontaliai įpjovai, kad paliktumėte pakankamai medienos, kuri atliks lanksto funkciją. Šios lanksto vietos nepjaukite. Lanksto funkciją atliekanti medienos dalis neleidžia medžiui persikreipti ir nukristi netinkama kryptimi. (Pav. 53)(Pav. 54)
- Galinei vertimo įpjovai artėjant prie lanksto vietos, medis pradeda virsti. Įsitikinkite, kad medis galės kristi tinkama kryptimi, nepasislinks atgal ir neprispūs pjūko grandinė. Norėdami to išvengti, prieš baigdami daryti galinę vertimo įpjovą sustokite. Naudodami medinius, plastikinius ar aliumininius pleištus atverkite įpjovą ir leiskite medžiui nuvirsti išilgai numatytos kritimo linijos ( ). (Pav. 55)
- Medžiui pradėjus virsti, ištraukite gaminį iš įpjovos, išjunkite variklį, padėkite gaminį ant žemės ir pasinaudokite suplanuotu atsiraukimo keliu. Saugokitės virš galvos esančių krentančių šakų ir stebėkite, kur statote kojas. (Pav. 56)

## Medžio genėjimas

- Pasinaudokite stambesnėmis šakomis, kad laikytumėte rąstą pakeltą nuo žemės.
- Smulkias šakas šalinkite vienu pjūviu. (Pav. 57)
- Įtemptas šakas pjaukite iš apačios į viršų, kad nebūtų prispausta pjūko grandinė ar kreipiančioji juosta.

## Rąsto pjaustymas



**PASTABA:** Saugokite, kad pjūko grandinė nesuliestų su žeme.

- Jei rąstas yra atremtas per visą savo ilgį, pjaukite jį iš viršaus (pjovimas iš viršaus. (Pav. 58)
- Jei atremtas vienas rąsto galas, pjaukite trečdali skersmens iš apačios (pjovimas iš apačios). (Pav. 59)
- Jei rąstas atremtas abiejuose galuose, pjaukite trečdali skersmens iš viršaus. Užbaikite pjūvį atlikdami likusių apatinių dviejų rąsto skersmens trečdalių pjovimą iš apačios, kad pjūvis susiliestų su pirmuoju pjūviu. (Pav. 60)
- Jei rąstą pjaunate nuokalnėje, visada stovėkite įkalnės pusėje rąsto atžvilgiu. Perpjaukite rąstą išlaikydami visišką gaminio kontrolę, tada, prieš

baigdami pjauti, sumažinkite pjovimo spaudimą, tvirtai laikydami gaminį už galinės ir priekinės rankenų. (Pav. 61 )

## PRIEŽIŪRA



**PERSPĖJIMAS:** Prieš valydami arba prižiūrėdami gaminį perskaitykite ir supraskite saugos skyrių.

- Patikrinkite, ar pjūklo grandinė nesisuka, kai variklis veikia tuščiaja eiga.

### Savaitinė techninė priežiūra

- Patikrinkite, ar tinkamai veikia aušinimo sistema.
- Patikrinkite, ar tinkamai veikia starteris, starterio virvė ir grįžties spyruoklė.
- Patikrinkite, ar nepažeisti vibracijos slopinimo elementai.

(Pav. 67 )

- Dilde pašalinkite ant kreipiančiosios juostos briaunų susidariusius nelygumus.
- Išvalykite arba pakeiskite dulintuvo kibirkščių sulaikymo tinklėlį.

(Pav. 68 )

- Nuvalykite išorinius karbiuratoriaus ir gretimus paviršius.
- Išvalykite oro filtrą. Jei oro filtras pažeistas arba pernelyg nešvarus, kad būtų galima visiškai išvalyti, sumontuokite naują. Daugiau informacijos žr. *Kaip išvalyti oro filtrą psl. 223.*

### Mėnesinė techninė priežiūra

- Patikrinkite grandinės stabdžio juostos nusidėvėjimą. Pakeiskite, jei stabdžio juostos storis yra mažesnis nei 0,6 mm (0,024 col.) labiausiai nusidėvėjusiose taške.

(Pav. 69 )

- Patikrinkite sankabos veleno, būgnelio ir spyruoklės nusidėvėjimą.
- Išvalykite žvakę. Patikrinkite, ar tarpas tarp elektrodų yra tinkamas.

(Pav. 70 )

- Nuvalykite išorinius karbiuratoriaus ir gretimus paviršius.
- Patikrinkite kuro filtrą ir žarnelę. Jei reikia, pakeiskite.
- Ištuštinkite kuro bakelį.
- Ištuštinkite alyvos bakelį.
- Patikrinkite visus laidus ir jungtis.

### Kasmetinė techninė priežiūra

- Patikrinkite uždėgimo žvakę.
- Nuvalykite išorinius karbiuratoriaus ir gretimus paviršius.
- Išvalykite aušinimo sistemą.
- Patikrinkite kibirkščių sulaikymo tinklėlį.
- Patikrinkite kuro filtrą.
- Patikrinkite, ar nepažeista kuro žarnelė.

### Priežiūros grafikas

Būtinai vadovaukitės priežiūros grafiku. Priežiūros intervalai apskaičiuojami pagal kasdienį gaminio naudojimą. Intervalai skiriasi, jei gaminio nenaudojate kasdien. Atlikite tik šiose vadove nurodytus priežiūros darbus. Dėl kitų, šiame vadove neminimų priežiūros darbų kreipkitės į patvirtintą techninės priežiūros centrą.

#### Kasdienė techninė priežiūra

- Nuvalykite išorinius paviršius.
- Įsitinkinkite, kad fiksatorius ir gaidukas veikia tinkamai.
- Išvalykite grandinės stabdį ir įsitinkinkite, kad jis veikia tinkamai.

(Pav. 62 )

- Patikrinkite, ar nepažeistas grandinės gaudytuvas. Pakeiskite grandinės gaudytuvą, jei jis pažeistas.

(Pav. 63 )

- Apsukite kreipiančiąją juostą kasdien, kad ji dėvėtųsi tolygiau.
- Įsitinkinkite, kad neužsikimšusi kreipiančiojoje juostoje esanti tepimo anga.

(Pav. 64 )

- Išvalykite kreipiančiosios juostos griovelį.

(Pav. 65 )

- Įsitinkinkite, kad kreipiančioji juosta ir pjūklo grandinė gauna pakankamai alyvos.
- Patikrinkite pjūklo grandinę:
  - ar nėra įtrūkusių kniedžių ir narelių;
  - ar nėra neįprastai nusidėvėjusių kniedžių ir narelių;
  - ar tinkamas įtempimas.

Jei reikia, pjūklo grandinę pakeiskite.

- Pagaląskite pjūklo grandinę. Žr. *Pjūklo grandinės galandimas psl. 223.*
- Patikrinkite, ar nėra nusidėvėjusi grandinės varančioji žvaigždutė, o jei reikia, pakeiskite.

(Pav. 66 )

- Išvalykite starterio oro įsiurbimo angą.
- Patikrinkite, ar varžlės ir varžtai priveržti.
- Patikrinkite, ar tinkamai veikia sustabdymo jungiklis.
- Patikrinkite ar nėra pratekėjimų iš variklio, bakelio ir kuro žarnelių.

- Patikrinkite visus laidus ir jungtis.

## Protarpiais atliekama techninė priežiūra

- Patvirtintame techninės priežiūros centre suremontuokite arba pakeiskite duslintuvą po 50 eksploatacijos valandų.
- Atlikite uždegimo žvakės techninės priežiūros darbus, kai:
  - variklio galia sumažėjusi;
  - sunku užvesti variklį;
  - variklis netinkamai veikia tuščiaja eiga.
- Kaskart, kai pildote kūrą, patikrinkite pjūklo grandinės tepimą. Žr. *Pjovimo grandinės tepimo patikrinimas psl. 224.*

## Greičio tuščiaja eiga reguliavimas

Prieš reguliuodami greitį tuščiaja eiga įsitinkinkite, kad oro filtras švarus, o oro filtro dangtelis pritvirtintas.

1. Sukite tuščiosios eigos reguliavimo varžtą (jį nurodo žymė „T“) pagal laikrodžio rodyklę, kol pjūklo grandinė pradės sukstis.
2. Sukite tuščiosios eigos reguliavimo varžtą (jį nurodo žymė „T“) prieš laikrodžio rodyklę, kol pjūklo grandinė nustos sukstis.
3. Greitis tuščiaja eiga turi būti mažesnis nei greitis, kuriam esant pradeda sukstis pjūklo grandinė. Greitis tuščiaja eiga yra tinkamas, kai variklis tolygiai veikia visose padėtyse.

## Kibirkščių sulaikymo tinklelio valymas

1. Valykite kibirkščių sulaikymo tinklelį vieliu šepečiu.

## Uždegimo žvakės priežiūra



**PASTABA:** Naudokite rekomenduojamą uždegimo žvakę. Įsitinkinkite, kad keičiama dalis yra tokia pat, kaip gamintojo naudojama dalis. Netinkama uždegimo žvakė gali sugadinti gaminį.

1. Jei gaminį sunku užvesti arba jis veikia nesklaidžiai, patikrinkite, ar ant uždegimo žvakės nėra pašalinių medžiagų. Norėdami sumažinti pašalinių medžiagų atsiradimą ant uždegimo žvakės elektrodų:
  - a) įsitinkinkite, kad tinkamai sureguliuotas greitis tuščiaja eiga.
  - b) įsitinkinkite, kad naudojate tinkamą kuro mišinį.
  - c) patikrinkite, ar oro filtras yra švarus.
2. Jei uždegimo žvakė nešvari, nuvalykite ją. Patikrinkite, ar tarpas tarp elektrodų yra tinkamas. (Pav. 71 )
3. Esant reikalui pakeiskite uždegimo žvakę.

## Kaip išvalyti oro filtrą

1. Nuimkite oro filtro dangtelį ir išimkite oro filtrą.

2. Išplaukite oro filtrą šiltame muiluotame vandenyje. Prieš sumontuodami oro filtrą, palaukite, kol jis išdžius.
3. Pakeiskite oro filtrą, jei jis toks purvinas, kad jo nebeįmanoma išplauti. Visada pakeiskite pažeistą oro filtrą.

## Pjūklo grandinės galandimas

### Pjovimo dantukas

Pjaunančioji pjūklo grandinės dalis vadinama pjaunančiuoju nareliu, kurį sudaro pjaunantysis dantis (A) ir gylio reguliavimo ribotuvas (B). Pjaunančiojo narelio pjovimo gylis priklauso nuo aukščio tarp jų skirtumo – gylio reguliavimo ribotuvo nustatymo (C). (Pav. 72 )

Galandant pjaunantįjį dantį, reikia atkreipti dėmesį į keturis matmenis.

- Galandimo kampas (Pav. 73 )
- Pjovimo kampas (Pav. 74 )
- Dildės padėtis (Pav. 75 )
- Apvaliosios dildės skersmuo (Pav. 76 )

### Pjovimo dantukų galandimas

Galąskite pjovimo dantukus naudodamiesi apvaliaja dilde ir galandimo šablonu. Informaciją apie rekomenduojamą dildės skersmenį ir galandimo šabloną jūsų gaminyje sumontuoti pjūklo grandinei žr. *Pjūklo grandinės galandimas ir pjūklo grandinės deriniai psl. 226.*

1. Įsitinkinkite, kad pjūklo grandinė tinkamai įtempta. Laisvą grandinę sunku gerai pagalašti.
2. Pirmiausia pagalaškite dilde dantukus vienoje pusėje. Dilde pagalaškite pjovimo dantukų vidines puses ir atlikdami grįžtamąjį judesį spauskite silpniau.
3. Apverskite gaminį ir dilde pagalaškite dantukus kitoje pusėje.
4. Visus dantukus stenkitės galąsti vienodai. Kai pjovimo dantukų ilgis sumažėja iki 4 mm (5/32"), pjūklo grandinė laikoma susidėvėjusia ir turi būti pakeista. (Pav. 77 )

### Gylio reguliavimo ribotuvo nustatymas

Prieš nustatydami gylio reguliavimo ribotuvą, pagalaškite pjovimo dantukus. Žr. *Pjovimo dantukų galandimas psl. 223.* Galandant pjaunantįjį dantį, gylio reguliavimo ribotuvo nustatymas (C) mažėja. Norint išlaikyti maksimalų pjovimo našumą, gylio reguliavimo ribotuvą (B) turi būti nušifuotas dilde iki rekomenduojamo lygio. Informaciją apie jūsų grandinę

tinkamą gylio reguliavimo ribotuvo nustatymą žr. *Pjūklo grandinės galandimas ir pjūklo grandinės deriniai psl. 226.*

(Pav. 78 )

(Pav. 79 )

**Pasižymėkite:** Ši rekomendacija aktuali, jei pjaunančiųjų dantų ilgis nėra per daug mažas.

Plokščiaja dilde ir gylio reguliavimo ribotuvo įrankiu sureguliuokite gylio reguliavimo ribotuvą.

1. Padėkite gylio reguliavimo ribotuvo įrankį ant pjūklo grandinės. Informaciją apie gylio reguliavimo ribotuvo įrankio naudojimą rasite ant pakuotės.
2. Naudokite plokščią dildę likučiams šalinti nuo gylio reguliavimo ritinėlio viršutinės dalies. Ribotuvus yra tinkamas, kai dilde traukiant per šabloną, nesijaučia jokio pasipriešinimo.

## Pjūklo grandinės įtempimas

**Pasižymėkite:** Dažnai tikrinkite naujos pjūklo grandinės įtempimą jos įdėbimo laikotarpiu.

1. Atlaisvinkite kreipiančiosios juostos veržles, laikancias žvaigždutes gaubtą. Naudokite kombinuotąjį veržliaraktį. (Pav. 80 )
2. Kuo tvirtiau ranka priveržkite kreipiančiosios juostos veržles.
3. Pakelkite kreipiančiosios juostos priekį ir įtempkite pjūklo grandinę priverždami grandinės įtempimo varžtą. Naudokite kombinuotąjį veržliaraktį. Veržkite pjūklo grandinę, kol ji standžiai priglus prie kreipiančiosios juostos apatinės briaunos. (Pav. 81 )

4. Priveržkite kreipiančiosios juostos veržles kombinuotuoju veržliaraktiu, tuo pačiu metu keldami kreipiančiosios juostos galą aukštyn. (Pav. 82 )
5. Įsitinkinkite, kad galite lengvai patraukti pjūklo grandinę ranka ir kad ji nėra nukarusi žemyn. (Pav. 83 )

## Pjovimo įrangos tepimas

### Pjovimo grandinės tepimo patikrinimas

Kaskart, kai pildote kurą, patikrinkite grandininio pjūklo tepimą.

1. Užveskite gaminį ir leiskite jam veikti 3/4 visų apsuokų. Nukreipkite kreipiančiosios juostos alyvos kanalą į šviesų paviršių, esantį beveik 20 cm (8 col.) atstumu.
2. Po 1 minutės veikimo ant šviesaus paviršiaus turėtumėte matyti alyvos paliktą liniją.
3. Jei alyvos linijos praėjus 1 minutei nematote, išvalykite kreipiančiosios juostos alyvos kanalą. Išvalykite kreipiančiosios juostos briaunos tarpelį. Įsitinkinkite, kad kreipiančiosios juostos priekinė varomoji žvaigždutė sukasi laisvai ir kad tepimo anga neužsikimšusi. Išvalykite ir sutepkite priekinę varomąją žvaigždutę.
4. Užveskite gaminį ir leiskite jam veikti 3/4 visų apsuokų. Nukreipkite juostos galą į šviesų paviršių, esantį beveik 20 cm (8 col.) atstumu.
5. Po 1 minutės veikimo ant šviesaus paviršiaus turėtumėte matyti alyvos paliktą liniją.
6. Jei alyvos linijos praėjus 1 minutei nematote, kreipkitės į patvirtintą pardavėją.

## TRANSPORTAVIMAS

- Prieš transportuodami, ištuštinkite kuro ir grandinės alyvos bakelius. Tinkamai utilizuokite panaudotus skysčius.
- Transportuodami ant pjovimo įtaiso uždėkite kreipiančiosios juostos dangtelį. Jis apsaugos asmenis nuo netyčinio prisilietimo prie aštrios pjūklo grandinės. Aštri nenaudojama pjūklo grandinė, ją palietus, gali jus ar kitus asmenis sužeisti.
- Prieš transportuodami, nuimkite uždegimo žvakės antgalį nuo uždegimo žvakės ir įjunkite grandinės stabdį.
- Pasirūpinkite, kad transportuojant gaminys negalėtų judėti.

## LAIKYMAS

- Kai gaminys nenaudojamas, visada saugiai padėkite jį. Pratekėjimai ir garai iš gaminio gali susilieti su kibirkštimis, atvira liepsna iš elektros įrangos, elektrinių vejamųjų, relių / jungiklių, šildytuvų ir pan.
- Kurą visada laikykite tam pritaikytoje talpykloje.
- Jei gaminys bus laikomas nenaudojamas ilgesnį laikotarpį, ištuštinkite kuro ir grandinės alyvos bakelius. Tinkamai utilizuokite panaudotus skysčius.
- Prieš padėdami saugoti, uždėkite kreipiančiosios juostos dangtelį. Jis apsaugos asmenis nuo netyčinio prisilietimo prie aštrios pjūklo grandinės. Aštri nenaudojama pjūklo grandinė, ją palietus, gali jus ar kitus asmenis rimtai sužeisti.
- Prieš padėdami saugoti, nuimkite uždegimo žvakės antgalį nuo uždegimo žvakės ir įjunkite grandinės stabdį.



# TECHNINIAI DUOMENYS

	gaminys	120 Mark II (P02138HV)
<b>Variklio specifikacija</b>		
Cilindro darbinis tūris	cm <sup>3</sup>	38
Uždegimo žvakė		Champion RCJ7Y
Tarpas tarp elektrodų	mm (col.)	0,5 (0,02)
Kuro bakelio tūris	cm <sup>3</sup>	300
Greitis tuščiaja eiga	min <sup>-1</sup>	2 800–3 200
Galia esant 9 000 min <sup>-1</sup>	kW	1,4
Išmetalų filtro charakteristikų ilgaamžiškumo laikotarpis	h	50
<b>Triukšmo ir vibracijos duomenys</b>		
Ekvivalentiški rankenų vibracijos lygiai, $a_{hveq}$ priekinė rankena <sup>71</sup>	m/s <sup>2</sup>	4,5
Ekvivalentiški rankenų vibracijos lygiai, $a_{hveq}$ galinė rankena <sup>72</sup>	m/s <sup>2</sup>	6,0
Garso stiprumo lygis, garantuotas ( $L_{WA}$ ) <sup>73</sup>	dB (A)	116
Garso galios lygis, išmatuotas <sup>74</sup>	dB (A)	110
Garso slėgio lygis ties operatoriaus ausimis <sup>75</sup>	dB (A)	95
<b>Gaminio matmenys</b>		
Svoris (be pjovimo įrangos)	kg	4,9
Alyvos bakelio tūris	cm <sup>3</sup>	200
<b>Kuro / tepimo sistema</b>		
Alyvos siurblio pajėgumas esant 9 000 min <sup>-1</sup>	ml/min	7
Alyvos bakelio tūris	cm <sup>3</sup>	200
Alyvos siurblio tipas		Automatinis
<b>Pjūklų grandinė ir kreipiančioji juosta</b>		
Standartinės kreipiančiosios juostos ilgis	cm (col.)	35–40 (14–16)
Rekomenduojamas juostos ilgis	cm (col.)	35–45 (14–18)
Naudingasis pjūklų ilgis	cm (col.)	34–39 (13,5–15,5)

<sup>71</sup> Pagal ISO 22867 ekvivalentiškas vibracijos lygis apskaičiuojamas kaip vibracijos lygių įvairiomis darbo sąlygomis dinaminės svertinės energijos suma. Pateiktuose atitinkamo vibracijos lygio duomenyse yra 1 m/s<sup>2</sup> tipiška statistinė sklaida (standartinis nuokrypis).

<sup>72</sup> Pagal ISO 22867 ekvivalentiškas vibracijos lygis apskaičiuojamas kaip vibracijos lygių įvairiomis darbo sąlygomis dinaminės svertinės energijos suma. Pateiktuose atitinkamo vibracijos lygio duomenyse yra 1 m/s<sup>2</sup> tipiška statistinė sklaida (standartinis nuokrypis).

<sup>73</sup> Triukšmas, skleidžiamas į aplinką, išmatuotas kaip triukšmo galia ( $L_{WA}$ ).

<sup>74</sup> Triukšmas, skleidžiamas į aplinką, išmatuotas kaip triukšmo galia ( $L_{WA}$ ).

<sup>75</sup> Ekvivalentiškas garso slėgio lygis apskaičiuojamas kaip skirtingų garso slėgio lygių įvairiomis darbo sąlygomis dinaminės svertinės energijos suma. Tipiška ekvivalentiško garso slėgio lygio statistinė sklaida turi standartinį 1 dB (A) nuokrypį.

	<b>gaminys</b>	<b>120 Mark II (P02138HV)</b>
Maksimalus pjūklo grandinės greitis	m/s	22,3
Pjūklo grandinės žingsnis	mm (col.)	8,3 (0,325) 9,52 (3/8)
Varančiųjų narelių storis (tarpmatis)	mm (col.)	1,3 (0,05)
Varančiosios žvaigždutės tipas		Spur žvaigždutė
Varančiosios žvaigždutės dantukų skaičius		6 (varančiosios žvaigždutės 3/8) 7 (varančiosios žvaigždutės 0,325)

## PRIEDAI

### Kreipiančiosios juostos ir pjūklo grandinės deriniai

Toliau nurodyti pjovimo įtaisai yra skirti šiam gaminiui.

Kreipiančioji juosta				Pjūklo grandinė	
Ilgis, cm (col.)	Žingsnis, mm (col.)	Tarpmatis, mm (col.)	Maks. antgalio spindulys	Tipas	Varančiųjų narelių skaičius
33 (13)	8,25 (0,325)	1,3 (0,050)	10T	Husqvarna H30	56
38 (15)	8,25 (0,325)				64
35 (14)	9,52 (3/8)		7T	Husqvarna H37	52
40 (16)	9,52 (3/8)				56
45 (18)	9,52 (3/8)				62

### Pjūklo grandinės galandimas ir pjūklo grandinės deriniai

Pjūklo grandinė					
Grandinės tipas	Apvaliosios dildės dydis	Šoninės plokštumos kampas	Viršutinės plokštumos kampas	Dildės kreipimo kampas	Gylio regulavimo ribotuvo nustatymas
H30	3/16 col. / 4,8 mm	60°	30°	10°	0,025 col. / 0,65 mm
H37	5/32 col. / 4,0 mm	60°	30°	0°	0,025 col. / 0,65 mm

---

## EB ATITIKTIES DEKLARACIJOS TURINYS

---

Mes, „Husqvarna AB“, SE 561 82 Huskvarna, ŠVEDIJA, savo atsakomybe pareiškiame, kad pateiktas gaminy:

Aprašas	Benzininis grandininis pjūklas
Gamintojas	„Husqvarna“
Platforma / tipas / modelis	Platforma P02138HV, atitinka modelį „120 Mark II“
Partija	Serijos numerių data nuo 2018

visiškai atitinka šias ES direktyvas ir reikalavimus:

Direktyva / reikalavimas	Aprašas
2006/42/EB	„dėl mašinų“
2014/30/ES	„dėl elektromagnetinio suderinamumo“
2000/14/EB	„dėl triukšmo lauke“

Taikomi darnieji standartai ir (arba) techninės specifikacijos: EN ISO 12100, EN ISO 11681-1, CISPR 12, ISO 14982

Pagal 2000/14/EB direktyvos V priedą nustatytosios garso vertės pateikiamos šios instrukcijos techninių duomenų skyriuje iri pasirašytoje EB atitikties deklaracijoje.

TÜV Rheinland LGA Products GmbH, notifikuotoji įstaiga dėl įrenginių (apie įrenginį pranešta pagal 0197), Tillystraße 2 - 90431 Nürnberg, Germany, atliko EB tipo patikrą pagal 2006/42/EB 12 straipsnio 3b punktą.

Šio tipo patikros sertifikatas, pagal IX priedą, kaip nurodyta pasirašytoje atitikties deklaracijoje, galioja visoms gamybos vietoms ir kilmės šalims, nurodytoms gaminio etiketėje.

Šis grandininis pjūklas atitinka EB tipo patikrą praėjusį pavyzdį.

---

## Saturs

---

IEVADS.....	228	PĀRVADĀŠANA.....	238
DROŠĪBA.....	229	UZGLABĀŠANA.....	238
MONTĀŽA.....	233	TEHNISKIE DATI.....	238
DARBĪBA.....	233	PIEDERUMI.....	240
APKOPE.....	236	ES ATBILSTĪBAS DEKLARĀCIJAS SATURS.....	240

---

## IEVADS

---

### Lietotāja rokasgrāmata

Šis lietotāja rokasgrāmatas sākotnējā valoda ir angļu.  
Lietotāja rokasgrāmatas citās valodās ir tulkojumi no angļu valodas.

### Pārskats

(Att. 1 )

1. Izstrādājuma un sērijas numura plāksnīte
2. Mēlītes bloķētājs
3. Priekšējais rokturis
4. Cilindra vāks
5. Kēdes bremze un priekšējais roku aizsargs
6. Slāpētājs
7. Balsta zobš
8. Sliedes priekšgala zobrats
9. Labās rokas aizsargs
10. Mēlīte
11. Kēdes rata pārsegs
12. Kēdes uztvērējs
13. Virzītājsliede
14. Zāģa ķēde
15. Startera rokturis
16. Kēdes eļļas tvertne
17. Starteris
18. Degvielas tvertne
19. Droseļvārsta vadība
20. Aizmugurējais rokturis
21. Apturēšanas slēdzis
22. Tukšgaitas regulēšanas skrūve
23. Degvielas sūknis
24. Informācijas un brīdinājuma uzlīme
25. Kēdes spriegošanas skrūve
26. Virzītājsliedes pārsegs
27. Kombinētais darbarīks
28. Divtaktu eļļa
29. Lietotāja rokasgrāmata (EPA)

### Simboli uz izstrādājuma

(Att. 2 ) Brīdinājums

- (Att. 3 ) Izlasiet šo rokasgrāmatu
- (Att. 4 ) Lietojiet apstiprināto ķiveri, dzirdes aizsarglīdzekļus un acu aizsarglīdzekļus
- (Att. 5 ) Izmantojiet apstiprinātus aizsargcimdus
- (Att. 6 ) Šis izstrādājums atbilst piemērojamo EK direktīvu prasībām
- (Att. 7 ) Skaņas jaudas līmenis
- (Att. 8 ) Kēdes bremze; nav aktivizēta (pa kreisi).  
Kēdes bremze; ir aktivizēta (pa labi).
- (Att. 9 ) Droseļvārsta vadība
- (Att. 10 ) Degvielas sūknis
- (Att. 11 ) Degvielas uzpilde
- (Att. 12 ) Kēdes eļļas uzpilde
- (Att. 13 ) Šis izstrādājums atbilst piemērojamo EAC direktīvu prasībām.
- (Att. 14 ) Šis izstrādājums atbilst piemērojamo Ukrainas direktīvu prasībām.
- (Att. 15 ) Trokšņa līmenis
- (Att. 16 ) Turiet zāģi stingri ar abām rokām.
- (Att. 17 ) Nelietojiet zāģi ar vienu roku
- (Att. 18 ) Nepieskarieties virzītājsliedes galam.
- (Att. 19 ) Uzmanieties no atsitiena
- (Att. 20 ) Šis izstrādājums atbilst piemērojamo Austrālijas un Jaunzēlandes elektromagnētiskās saderības direktīvu prasībām.

**Piezīme:** Pārējie uz izstrādājuma norādītie simboli/uzlīmes attiecas uz citu tirdzniecības nozaru prasībām.

## Atbildība par izstrādājuma kvalitāti

Saskaņā ar likumiem par izstrādājuma kvalitāti mēs neuzņemamies atbildību par bojājumiem, ko radījis mūsu izstrādājums, ja:

- ir veikts nepareizs izstrādājuma remonts;
- izstrādājuma remonts ir veikts, izmantojot detaļas, ko nav nodrošinājis vai apstiprinājis ražotājs;
- izstrādājumam tiek pievienots piederums, ko nav nodrošinājis vai apstiprinājis ražotājs;
- izstrādājuma remonts nav veikts pilnvarotā apkopes centrā vai pie pilnvarota speciālista.

# DROŠĪBA

## Drošības definīcijas

Tālāk sniegtās definīcijas norāda katra signālvārda nozīmīguma līmeni.



**BRĪDINĀJUMS:** Traumas.



**IEVĒROJIET:** Izstrādājuma bojājumi.

**Piezīme:** Šī informācija atvieglo izstrādājuma lietošanu.

## Vispārīgi norādījumi par drošību

- Lietojiet izstrādājumu pareizi. Nepareiza lietošana var radīt smagas vai nāvējošas traumas. Izmantojiet izstrādājumu tikai šajā rokasgrāmatā aprakstītajiem darbiem. Nelietojiet izstrādājumu citiem darbiem.
- Izlasiet, izprotiet un ievērojiet šīs rokasgrāmatas norādījumus. Ievērojiet drošības simbolus un drošības instrukcijas. Ja operators neievēro norādījumus un simbolus, var tikt radīti aprīkojuma bojājumi, smagas vai nāvējošas traumas.
- Neizmetiet šo rokasgrāmatu. Izmantojiet norādījumus, lai saliktu, lietotu un uzturētu šo izstrādājumu labā stāvoklī. Izmantojiet norādījumus pareizai palīgierīču un piederumu uzstādīšanai. Izmantojiet tikai apstiprinātās palīgierīces un piederumus.
- Nelietojiet bojātu izstrādājumu. Ievērojiet apkopes grafiku. Veiciet tikai tos apkopes darbus, kas aprakstīti šajā rokasgrāmatā. Pārējos apkopes darbus uzticiet pilnvarotam apkopes centram.
- Šī rokasgrāmata nevar ietver visas situācijas, kas var rasties, izmantojot šo izstrādājumu. Esiet uzmanīgs un saprātīgs. Nelietojiet izstrādājumu un neveiciet tā apkopi, ja neesat drošs par radušos situāciju. Sazinieties ar izstrādājuma speciālistu, izplatītāju, apkopes pārstāvi vai pilnvarotu apkopes centru, lai saņemtu papildinformāciju.
- Pirms izstrādājuma montāžas, novietošanas uzglabāšanā vai apkopes veikšanas atvienojiet aizdedzes sveces kabeli.

- Neizmantojiet izstrādājumu, ja tā sākotnējā specifikācija ir mainīta. Nemainiet izstrādājuma detaļas bez ražotāja apstiprinājuma. Izmantojiet tikai tādas detaļas, ko ir apstiprinājis ražotājs. Veicot nepareizu apkopi, var tikt radītas smagas vai nāvējošas traumas.
- Neieelpojiet dzinēja radītos izgarojumus. Ilgstoši ieelpojot dzinēja radītos izgarojumus, ķēdes eļļas miglu un zāģu skaidas, var tikt apdraudēta veselība.
- Nelietojiet izstrādājumu telpās vai ugunsnedrošu materiālu tuvumā. Izplūdes gāzes ir karstas un var saturēt dzirksteli, kas var izraisīt aizdegšanos. Bez pietiekamas ventilācijas var rasties smaga vai nāvējoša trauma nosmokot vai tvana gāzes dēļ.
- Šis izstrādājums darbības laikā rada elektromagnētisko lauku. Elektromagnētiskais lauks var radīt medicīnisko implantātu bojājumus. Pirms izmantot izstrādājumu, sazinieties ar ārstu vai medicīniskā implantāta ražotāju.
- Neļaujiet bērniem lietot šo izstrādājumu.
- Neļaujiet lietot izstrādājumu personai, kas nav iepazinusies ar lietošanas norādījumiem.
- Ja izstrādājumu izmanto persona ar samazinātām fiziskajām vai garīgajām spējām, vienmēr uzraugiet šo personu. Tuvumā vienmēr jābūt pieaugušajam.
- Ieslēdziet izstrādājumu vietā, kurai nevar piekļūt bērni un nepiederošas personas.
- Izstrādājums var izsviest objektus un radīt traumas. Ievērojiet drošības instrukcijas, lai samazinātu smagu vai nāvējošu traumu gūšanas risku.
- Neatstājiet izstrādājumu, kad darbojas tā dzinējs. Apturiet dzinēju un pārliecinieties, vai ķēde negriežas.
- Izstrādājuma lietotājs ir atbildīgs par radušos negadījumus.
- Pirms izstrādājuma lietošanas pārliecinieties, vai tā detaļas nav bojātas.
- Ievērojiet valsts vai vietējos likumus. Tie var neļaut vai ierobežot izstrādājuma lietošanu noteiktos apstākļos.

## Darba drošības instrukcijas

- Šī izstrādājuma ilgstoša un regulāra lietošana var izraisīt "balto pirkstu" sindromu vai līdzīgas medicīniskas problēmas no vibrācijām. Ja lietojat šo izstrādājumu ilgstoši un regulāri, pārbaudiet roku un pirkstu stāvokli. Ja rokas vai pirksti kļūst bāli, sāp,

tīrpst vai kļūst nejutīgi, pārtrauciet darbu un nekavējoties sazinieties ar ārstu.

- Pirms izstrādājuma lietošanas pārliecinieties, vai tas ir pilnībā samontēts.
- Izstrādājums var izsviest objektus, kas var radīt acu traumas. Lietojot izstrādājumu, vienmēr izmantojiet atbilstošus acu aizsarglīdzekļus.
- Esiet uzmanīgs, jo darba laikā, jums nezinot, izstrādājuma tuvumā var nokļūt bērni.
- Nelietojiet izstrādājumu, ja darba zonā atrodas citas personas. Pārtrauciet lietot izstrādājumu, ja darba zonā ienāk cita persona.

(Att. 21)

- Nezaudējiet vadību pār izstrādājumu.
- Izstrādājums jālieto, turot ar abām rokām. Nedarbiniet zāģi, turot to ar vienu roku. Pretējā gadījumā var rasties nopietnas traumas lietotājam, strādniekiem, apkārt stāvošajiem vai visiem minētajiem.
- Ar kreiso roku turiet priekšējo rokturi un ar labo roku turiet aizmugurējo rokturi. Turiet izstrādājumu ķermeņa labajā pusē.

(Att. 22)

- Neizmantojiet šo izstrādājumu, ja esat noguris, slims vai esat alkohola vai citu vielu izraisītā reibumā.
- Neizmantojiet izstrādājumu, ja jums nebūs iespējas saņemt palīdzību, notiekot negadījumam. Pirms izstrādājuma iedarbināšanas informējiet apkārtējos, ka grasāties to darīt.
- Negriezieties, turot izstrādājumu, pirms tam nepārliecinoties, ka citas personas vai dzīvnieki atrodas drošā attālumā.
- Pirms darba sākšanas novāciet visus nevēlamos materiālus no darba zonas. Ja ķēde atsitas pret objektu, tas var tikt izsviests, radot traumas vai bojājumus. Nevēlami materiāli var aptīties ap ķēdi un radīt bojājumus.
- Neizmantojiet izstrādājumu sliktos laika apstākļos, piemēram, miglā, lietū, stiprā vējā, negaisa laikā vai tamlīdzīgos laika apstākļos. Sliktos laika apstākļos var rasties bīstami darba apstākļi, piemēram, slidenas virsmas.
- Pārliecinieties, vai varat brīvi kustēties un strādāt stabilā stāvoklī.
- Gādājiet, lai jūs nepakristu, lietojot izstrādājumu. Nepieliecieties izstrādājuma lietošanas laikā.
- Vienmēr turiet izstrādājumu ar abām rokām. Ar kreiso roku turiet priekšējo rokturi un ar labo roku turiet aizmugurējo rokturi. Turiet izstrādājumu ķermeņa labajā pusē.
- Ja dzinēja iedarbināšanas laikā gaisa vārsta vadība atrodas aizvērtā gaisa vārsta stāvoklī, ķēde sāks griezties.
- Pirms izstrādājuma pārvietošanas izslēdziet dzinēju.
- Nenolieciet izstrādājumu zemē, kad tā dzinējs darbojas.
- Pirms noņemt no izstrādājuma nevēlamos materiālus, apturiet dzinēju. Ļaujiet ķēdei apstāties,

pirms jūs vai cita persona noņemam nogrieztu materiālu.

- Nelietojiet šo izstrādājumu, uzskājot kokā. Lietojot zāģi, kad esat uzkāpis kokā, var gūt traumu.

(Att. 23)

- Kad iedarbināt izstrādājumu, ir jābūt aktivizētai ķēdes bremzei, lai samazinātu risku, ka iedarbināšanas laikā jums pieskaras zāģa ķēde.

(Att. 24)

- Izvairieties no atsitiena, slīdēšanas, atlēkšanas un krišanas, kas var izraisīt nopietnas traumas.
- Ievērojiet visus drošības noteikumus, lai izvairītos no atsitiena un citiem spēkiem, kas var izraisīt nopietnas traumas.
- Regulāri regulējiet zāģa ķēdes spriegojumu, lai nodrošinātu, ka zāģa ķēde nenokarājas. Nokarājusies zāģa ķēde var nokrist un radīt nopietnas vai nāvējošas traumas.
- Negāziet kokus, veicot nepareizas darbības. Var tikt radītas traumas tuvumā esošajiem cilvēkiem, bojāta elektropārvades līnija, vai radīti materiālie zaudējumi.
- Lietotājam ir jāpaliek nogāzes augšpusē, jo pēc nozāģēšanas koks var rīpot vai slīdēt lejup no nogāzes.

(Att. 25)

- Pirms zāģēšanas izplānojiet un atīriet atkāpšanās ceļu. Atkāpšanās ceļam ir jābūt atpakaļ un pa diagonāli prom no paredzamās krišanas līnijas.

(Att. 26)

- Vienmēr apturiet dzinēju pirms izstrādājuma pārvietošanas starp kokiem.
- Vienmēr stingri nostāieties uz zemes un sadaliet ķermeņa svaru vienādi uz abām kājām.

(Att. 27)

- Vienmēr ieturiet atbilstošu stāju un strādājiet ar izstrādājumu tikai tad, ja atrodaties uz nekustīgas, drošas un līdzenas virsmas. Slidenas vai nestabilas virsmas, piemēram, kāpnes, var izraisīt līdzsvara vai kontroles zudumu.

(Att. 28)

## Atsitieni, pārslīdēšana, atlēkšana un nokrišana

Izstrādājuma drošu vadību var ietekmēt dažādi spēki.

- **Pārslīdēšana** notiek tad, ja virzītājslīde slīd vai kustas pa koka stumbru.
- **Atlēkšana** notiek tad, kad virzītājslīde paceļas no koka stumbra un saskaras ar to atkal un atkal.
- **Nokrišana** notiek tad, ja izstrādājums nokrīt pēc zāģējuma veikšanas. Tādējādi vēl kustīgā ķēde var saskarties ar kādu no ķermeņa daļām vai objektiem, radot traumu vai bojājumus.
- **Atsitieni** notiek tad, ja virzītājslīdes gals saskaras ar objektiem un pārvietojas atpakaļ, uz augšu vai pēkšņi uz priekšu. Atsitieni rodas arī tad, ja koks saspiežas, zāģēšanas laikā iespiežot zāģa ķēdi. Ja

izstrādājums saskaras ar objektu kokā, var tikt zaudēta ierīces vadība.

(Att. 29 )

- Ja kustībā esoša ķēde pie virzītājsliedes augšējā gala saskaras ar kādu objektu, ir iespējams **rotējošais atsitiens**. Tādējādi ķēde vai iestrēgt objektā un uzreiz apstāties. Rezultāts ir acumirklīgs: atpakaļgaitas reakcija virza virzītājsliedi uz augšu un atpakaļ operatora virzienā.

(Att. 30 )

(Att. 31 )

- **Atsitiens iespējot** var notikt tad, ja zāga ķēde pēkšņi apstājas zāgēšanas laikā. Koks sakļaujas un iespiež kustīgo zāga ķēdi virzītājsliedes augšdaļā. Pēkšņā ķēdes apstāšanās vērš atpakaļ ķēdes spēku un liek zāgim pārvietoties ķēdes griešanās virzienam pretējā virzienā. Zāgīs pārvietojas atpakaļ operatora virzienā.

(Att. 32 )

- **Ievilkšana** var notikt tad, ja zāga ķēde pēkšņi apstājas, saskaroties ar objektu kokā virzītājsliedes apakšā. Pēkšņā apstāšanās velk zāgi uz priekšu un prom no operatora, kas var izraut zāgi no operatora rokām.

(Att. 33 )

Pārliecinieties, ka pārzināt dažādos spēkus un to, kā tos nepieļaut, pirms izmantojat zāgi.

## Kā izvairīties no atsitienu, pārslidēšanas, atlēkšanas un nokrišanas

- Kad dzinējs darbojas, stingri turiet zāgi. Turiet labo roku uz aizmugurējā roktura un kreiso roku — uz priekšējā roktura. Rokturus stingri turiet ar īkšķiem un pirkstiem. Neatļaidiet rokas.
- Vadiet izstrādājumu gan koku zāgēšanas laikā, gan kokiem nokrīt. Neļaujiet izstrādājuma svaram krist pēc zāgēšanas.(Att. 34 )
- Sekojiet, lai vieta, kur zāgējat, nav nosprostota. Neļaujiet virzītājsliedes galam darba laikā saskarties ar koka stumbru, zaru vai citiem šķēršļiem.
- Zāgējiet ar lielu dzinēja apgriezienu skaitu.
- Nesniedzieties tālu un nezāgējiet objektus, kas atrodas augstāk par plecu līniju.(Att. 35 )
- Ievērojiet ražotāja norādītās instrukcijas par zāga ķēdes asināšanu un tehnisko apkopi.
- Izmantojiet tikai tās virzītājsliedes un zāga ķēdes, kuras norādījis ražotājs.
- Ja dziļummers ir iestāfīts pārāk liels, palielinās atsitienu risks.

## Individuālie aizsarglīdzekļi

- Lietojot izstrādājumu, vienmēr izmantojiet atbilstošus individuālos aizsarglīdzekļus. Individuālais drošības aprīkojums neizslēdz savainojumu risku. Individuālais drošības aprīkojums samazina

negadījuma rezultātā radušos savainojumu smagumu.

- Ieteicams valkāt pieguļošu apģērbu, kas neierobežo kustību brīvību.
- Izmantojiet apstiprinātu aizsargķiveri.
- Lietojot izstrādājumu, vienmēr izmantojiet atbilstošus ausu aizsarglīdzekļus. Ilgstošs troksnis var izraisīt dzirdes zudumu.
- Lietojiet aizsargbrilles vai sejsegu, lai samazinātu traumu gūšanas iespēju, ko rada izsviesti objekti. Motorzāģis ir spējīgs ar lielu spēku izmest tādas priekšmetus kā zāgu skaidas, mazus koka gabaliņus u.c. Tas var izraisīt nopietnas traumas, sevišķi acu traumas.
- Lietojiet cimdus, kas aizsargā no zāga ķēdes.
- Lietojiet darba bikses, kas aizsargā no zāga ķēdes.
- Lietojiet darba apavus, kas aizsargā no zāga ķēdes, ar tērauda purngaliem un neslīdošām zolēm.
- Pārliecinieties, vai tuvumā atrodas pirmās palīdzības sniegšanas komplekts.
- Dzirksteles var izlidot no trokšņa slāpētāja, tās var radīt virzītājsliede, zāga ķēde vai cits avots. Vienmēr turiet pa rokai ugunsdzēsības rīkus un lāpstu, lai nepieļautu meža ugunsgrēkus.

## Izstrādājuma aizsargierīces

- Regulāri veiciet izstrādājuma apkopi.
  - Tiek pagarināts izstrādājuma darbmužs.
  - Tiek samazināts negadījumu risks.

Ļaujiet pilnvarotam izplatītājam vai pilnvarotam apkopes centram regulāri pārbaudīt izstrādājumu, lai veiktu regulēšanu vai remontu.

- Neizmantojiet izstrādājumu, ja ir bojāts drošības aprīkojums. Ja izstrādājums ir bojāts, sazinieties ar pilnvarotu apkopes centru.

## Apturēšanas slēdzis

Iedarbiniet dzinēju. Pārliecinieties, vai, pārslēdzot apturēšanas slēdzi apturēšanas stāvoklī, dzinējs apstājas.

## Droseles mēlītes bloķētāja pārbaude

1. Pārliecinieties, vai tukšgaitas laikā mēlīte (B), atļaujot droseles mēlītes bloķētāju (A), tiek bloķēta.(Att. 36 )
2. Nospiediet mēlītes bloķētāju (A) un pārbaudiet, vai pēc atlaišanas tas atgriežas sākotnējā stāvoklī.
3. Nospiediet mēlīti (B) un pārbaudiet, vai pēc atlaišanas tā atgriežas sākotnējā stāvoklī.
4. Iedarbiniet dzinēju un tad darbiniet ar maksimālu apgriezienu skaitu.
5. Atļaidiet mēlīti un pārbaudiet, vai zāga ķēde apstājas.
6. Ja dzinēja tukšgaitas stāvoklī zāga ķēde griežas, pārbaudiet karburatora tukšgaitas regulēšanas skrūvi.

## Aizsargs

Aizsargs novērš priekšmetu izmešanu lietotāja virzienā. Kā arī aizsargs novērš netīšu lietotāja pieskaršanos zāga ķēdei.

- Pārbaudiet, vai aizsarga lietošana ir atļauta, izmantojot šo izstrādājumu.
- Nelietojiet izstrādājumu bez aizsarga.
- Pārliecinieties, vai aizsargs nav bojāts. Nomainiet aizsargu, ja tas ir nodilis vai saplaisājis.

## Drošības norādījumi, rīkojoties ar degvielu

- Nelietojiet izstrādājumu, ja uz tā ir degviela vai dzinēja eļļa. Notīriet nevēlamo degvielu/eļļu un ļaujiet izstrādājumam nožūt. Notīriet no izstrādājuma nevēlamo degvielu.
- Ja degviela ir nokļuvusi uz apģērba, nekavējoties pārgērbieties.
- Neļaujiet degvielai nonākt uz ķermeņa, jo tā var izraisīt savainojumus. Ja degviela ir nonākusi uz ķermeņa, izmantojiet ziepes un ūdeni, lai to nomazgātu.
- Neiedarbiniet dzinēju, ja uz izstrādājuma vai jūsu ķermeņa ir izlijusi eļļa vai degviela.
- Nelietojiet izstrādājumu, ja dzinējā ir sūce. Regulāri pārbaudiet, vai dzinējam nav radusies sūce.
- Rīkojoties ar degvielu, esiet uzmanīgs. Degviela ir viegli uzliesmojoša, tās tvaiki ir sprādzienbīstami, un var izraisīt savainojumus vai nāvi.
- Neieelpojiet degvielas tvaikus, jo tie var izraisīt savainojumus. Pārliecinieties, vai gaisa plūsma ir pietiekama.
- Nesmēķējiet degvielas vai dzinēja tuvumā.
- Nenovietojiet siltus objektus degvielas vai dzinēja tuvumā.
- Nepievienojiet degvielu dzinēja darbības laikā.
- Pirms degvielas uzpildes pārliecinieties, vai dzinējs ir atdzisis.
- Pirms uzpildes lēni atveriet degvielas tvertnes vāciņu un uzmanīgi izlaidiet spiedienu.
- Neveiciet dzinēja degvielas uzpildi telpās. Nepietiekama gaisa plūsma var izraisīt savainojumus vai nāvi, nosmokot vai saindējoties ar oglekļa monoksīdu (tvana gāzi).
- Rūpīgi pievelciet degvielas tvertnes vāciņu, lai neizraisītu aizdegšanos.
- Pirms iedarbināšanas pārvietojiet izstrādājumu vismaz 3 m (10 pēdu attālumā) no vietas, kur veicāt uzpildi.
- Neļieiet degvielas tvertnē pārāk daudz degvielas.
- Pārliecinieties, vai, pārvietojot izstrādājumu vai degvielas tvertni, nerodas sūce.

- Nenovietojiet izstrādājumu vai degvielas tvertni vietā, kur ir atklāta uguns, dzirksteles vai signāllampīņas. Pārliecinieties, vai uzglabāšanas vietā nav atklāta uguns.
- Degvielas pārvietošanai un uzglabāšanai izmantojiet tikai tam paredzētas tvertnes.
- Pirms ilgstošas uzglabāšanas iztukšojiet degvielas tvertni. Ievērojiet vietējos noteikumus par atbrīvošanos no degvielas.
- Pirms ilgstošas uzglabāšanas notīriet izstrādājumu.
- Pirms izstrādājuma novietošanas glabāšanā izņemiet aizdedzes sveci, lai nodrošinātu, ka dzinējs nejausi neieslēdzas.

## Norādījumi par drošu apkopi

- Pirms veikt izstrādājuma apkopi, atvienojiet aizdedzes sveci (izņemot karburatora regulēšanu).
- Uzticiet visus izstrādājuma apkopes darbus apstiprinātam izplatītājam, izņemot darbus, kas minēti šeit: *APKOPE lpp. 236*.
- Pārliecinieties, vai pēc droseles mēlītes atlaišanas zāga ķēde pārstāj kustēties.
- Rokturiem ir jābūt sausiem un tīriem, un uz tiem nedrīkst nokļūt eļļas vai degvielas maisījums.
- Uzturiet vāciņus un fiksatorus pareizi pievilktus.
- Neapstiprinātas rezerves daļas vai drošības ierīču noņemšana var radīt izstrādājuma bojājumus. Var tikt radīta trauma arī operatoram vai citiem cilvēkiem. Izmantojiet tikai ieteiktos piederumus un rezerves daļas. Nepārveidojiet izstrādājumu.
- Uzturiet zāga ķēdi asu un tīru drošai un kvalitatīvai darbībai.
- Ievērojiet eļļošanas un piederumu maiņas norādījumus.
- Pārbaudiet, vai izstrādājumā nav bojātu detaļu. Pirms turpmākas izstrādājuma lietošanas pārbaudiet, vai bojātais aizsargs vai detaļas darbojas pareizi. Pārbaudiet, vai nav bojātu vai nepareizi salāgotu detaļu un detaļas kustas brīvi. Pārbaudiet, vai nav radusies citi apstākļi, kas var ietekmēt izstrādājuma darbību. Pārliecinieties, vai izstrādājums ir atbilstoši salikts. Bojāts aizsargs vai cita detaļa jāremontē vai jānomaina apstiprinātam izplatītājam, ja vien lietotāja rokasgrāmatā nav norādīts citādi.
- Ja izstrādājumu nelietojat, novietojiet to sausā, augstā vai noslēdzamā, bērniem nepieejamā vietā.
- Izstrādājuma pārvadāšanas vai uzglabāšanas laikā izmantojiet virzītājsliedes pārsegu vai futrāli.
- Neizmantojiet izlietotu eļļu. Izlietota eļļa var kļūt bīstama, radot izstrādājuma bojājumus un vides piesārņojumu.



# MONTĀŽA



**BRĪDINĀJUMS:** Pirms izstrādājuma montāžas izlasiet un izprotiet drošības norādījumus.

## Virzītājsliedes un zāga ķēdes uzstādīšana

1. Pārvietojiet priekšējo roku aizsargu priekšējā roktura virzienā, lai izslēgtu ķēdes bremzi.
2. Atlociet uzgriezni atvērtā pozīcijā. (Att. 37)
3. Lai atlaistu valņīgāk sliedes pārsegu, pagrieziet uzgriezni pretēji pulksteņrādītāja kustības virzienam. (Att. 38)
4. Noņemiet uzgriezni (A) un ķēdes rata pārsegu. Noņemiet transportēšanas aizsargu (ja tas ir uzstādīts). (Att. 39)
5. Novietojiet virzītājsliedi uz sliedes skrūvēm. Aizbīdiet virzītājsliedi līdz galējam aizmugurējam stāvoklim. Uzlieciet ķēdi virs piedziņas zobrata un ievietojiet virzītājsliedes rievā. Sāciet ar virzītājsliedes augšējo malu. (Att. 40)
6. Pārliedcinieties, vai ķēdes griešanas posmu malas virzītājsliedes augšējā malā ir vērstas uz priekšu.
7. Uzlieciet ķēdesrata pārsegu un iebīdiet regulēšanas tapu virzītājsliedes atverē. Pārbaudiet, vai ķēdes piedziņas posmi pareizi salāgojas ar piedziņas zobratu. Pārbaudiet arī, vai zāga ķēde ir pareizi ievietota virzītājsliedes rievā. (Att. 41)
8. Piegrieziet zāga ķēdi, pagriežot spriegotājriteni uz leju (+). Piegrieziet ķēdi tikmēr, kamēr tā sliedes apakšā vairs nenokarājas. (Att. 42)

9. Zāga ķēde ir pareizi piegriezta, ja tā nenokarājas zem virzītājsliedes, taču to var viegli pagriezt ar roku.
10. Turiet augšā vadotnes uzmvu un pagrieziet uzgriezni pulksteņrādītāja kustības virzienā, lai to piegrieztu. (Att. 43)

- Pēc jaunās zāga ķēdes uzstādīšanas un tās piestrādes laikā regulāri pārbaudiet ķēdes spriegojumu.
- Regulāri pārbaudiet ķēdes spriegojumu. Pareizs ķēdes spriegojums nodrošinās efektīvu zāgēšanu un ilgu zāga darbmūžu.

## Lai atiestatītu ķēdes bremzi

Ja brīdī, kad ķēdes bremze ir bloķēta, sajūga vāks tiek nejauši noņemts, ķēdes bremze ir jāatbloķē, lai varētu samontēt sajūga vāku, nepiesaistot to sajūga cilindram.



**IEVĒROJIET:** Ķēdes bremzes atspere ir nospriegota. Atiestatot ķēdes bremzi, esiet uzmanīgs.

**Piezīme:** Bremžu atiestatīšanas laikā neturiet bremžu stipru.

1. Novietojiet vadotnes rīka rievās tā, lai tās varētu savienot ar bremzes rotējošo posmu. (Att. 44)
2. Lai atiestatītu bremzi, grieziet posmu pulksteņrādītāja kustības virzienā, līdz tas tiek apturēts. Kad ķēdes bremze būs atbloķēta, priekšējais posms būs vērsts uz leju. (Att. 45) (Att. 46)

# DARBĪBA



**BRĪDINĀJUMS:** Pirms izstrādājuma lietošanas izlasiet un izprotiet drošības norādījumus.

## Degvielas izmantošana



**IEVĒROJIET:** Šim izstrādājumam ir divtaktu dzinējs. Izmantojiet benzīna un divtaktu dzinēja eļļas maisījumu. Pārliedcinieties, vai maisījumā ir pareizs daudzums eļļas. Nepareiza benzīna un eļļas proporcija var radīt dzinēja bojājumus.

## Degvielas maisījuma attiecība

Benzīna un divtaktu dzinēja eļļas maisījuma attiecība degvielā ir 50:1 (2%).

Benzīns	Divtaktu dzinēja eļļa
1 ASV galons	77 ml (2,6 unces)
1 AK galons	95 ml (3,2 unces)
5 l	100 ml (3,4 unces)

## Degvielas maisījuma sagatavošana

1. Nosakiet pareizu benzīna un dzinēja eļļas daudzumu (maisījuma attiecība: 50:1). Sagatavojiet degvielas maisījumu, kas nepieciešams ne vairāk kā 30 dienām. Skatiet šeit: *Degvielas izmantošana* [pp. 233].
2. Iepildiet pusi no benzīna daudzuma tīrā degvielas tvertnē ar pretizlīšanas vārstu.



**IEVĒROJIET:** Neizmantojiet benzīnu, kurā etanola koncentrācija pārsniedz 10% (E10). Pretējā gadījumā izstrādājums var tikt bojāts.



**IEVĒROJIET:** Neizmantojiet benzīnu, kura oktānskaitlis ir mazāks par 90 RON (87 AKI). Pretējā gadījumā izstrādājums var tikt bojāts.

**Piezīme:** Ja bieži un ilgstoši darbināt zāģi ar lielu dzinēja apgriezīenu skaitu, izmantojiet benzīnu ar augstāku oktānskaitli.

3. Iepildiet degvielas tvertnē visu divtaktu dzinēja eļļas daudzumu.



**IEVĒROJIET:** Lietojiet tikai augstas kvalitātes eļļu divtaktu dzinējam ar gaisa dzesēšanu. Citas eļļas var radīt zāģa bojājumus.

4. Sakratiet degvielas maisījumu, lai sajauktu saturu.
5. Iepildiet degvielas tvertnē atlikušo benzīna daudzumu.
6. Sakratiet degvielas maisījumu, lai sajauktu saturu.
7. Piepildiet zāģa degvielas tvertni ar degvielas maisījumu. Skatiet šeit: *Degvielas izmantošana lpp. 233.*

## Degvielas tvertnes uzpilde

1. Pārbaudiet, vai degvielas maisījums ir atbilstošs un atrodas degvielas tvertnē ar pretizlīšanas vārstu.
2. Ja degviela jau ir tvertnē, izlejiet nevajadzīgo degvielu un ļaujiet tvertnei izžūt.
3. Pārlicinieties, vai vieta ap degvielas tvertnes vāciņu ir tīra.
4. Noņemiet degvielas tvertnes vāciņu.
5. Pirms degvielas maisījuma iepildes zāģa degvielas tvertnē sakratiet sagatavotās degvielas tvertni.
6. Uzlieciet atpakaļ degvielas tvertnes vāciņu.

## Zāģa ķēdes eļļošana

Zāģim ir automātiska eļļošanas sistēma. Zāģa ķēdes eļļas tvertne un degvielas tvertne ir izveidotas tā, lai degviela beigtos pirms beidzas zāģa ķēdes eļļa. Lai šī drošības funkcija darbotos, ir jālieto pareiza ķēdes eļļa un jāievēro norādījumi.

1. Izmantojiet no augiem gatavotu ķēdes eļļu vai parastu ķēdes eļļu.
2. Notīriet vietu ap zāģa ķēdes eļļas tvertnes vāciņu.
3. Noņemiet zāģa ķēdes eļļas tvertnes vāciņu.
4. Uzpildiet zāģa ķēdes eļļas tvertni ar ieteikto zāģa ķēdes eļļu.
5. Uzlieciet atpakaļ zāģa ķēdes eļļas tvertnes vāciņu.

## Ieslēgšana un izslēgšana

### Pirms dzinēja iedarbināšanas

- Pārbaudiet, vai izstrādājumam nav trūkstošas, bojātas, vaļīgas vai nolietotas detaļas.
- Pārbaudiet uzgriežņus un skrūves.
- Pārbaudiet gaisa filtru.
- Pārbaudiet, vai mēlītes bloķētājs un mēlīte darbojas pareizi.
- Pārbaudiet, vai apturēšanas slēdzis darbojas pareizi.
- Pārbaudiet, vai izstrādājumā nav degvielas noplūdes.
- Pārbaudiet zāģa ķēdes asumu un spriegojumu.

### Auksta dzinēja iedarbināšana

1. Pārvietojiet priekšējo roku aizsargu uz priekšu, lai ieslēgtu ķēdes bremzi. (Att. 47 )
2. 6 reizes nospiediet startēšanas sūkni. (Att. 48 )
3. Pavirziet gaisa vārsta vadību līdz pilnai gaisa vārsta pozīcijai. (Att. 49 )
4. Ar kreiso roku piespiediet zāģa korpusu pie zemes. Ievietojiet labo pēdu aizmugurējā rokturī, lai ķēdes zāģis būtu stabils. Lēni velciet startera auklas rokturi, līdz sajūtat pretestību. Pēc tam spēcīgi 5 reizes paraujiet startera auklas rokturi. (Att. 50 )

**Piezīme:** Mēģinot iedarbināt dzinēju, nespiediet mēlīti.

5. Pavirziet gaisa vārsta vadību līdz aizvērtai gaisa vārsta pozīcijai.
6. Velciet startera auklas rokturi, līdz dzinējs sāk darboties. Pēc iedarbināšanas nogaidiet 60 sekundes, tad nospiediet mēlīti.



**IEVĒROJIET:** Nevelciet startera auklu līdz galam. Neatļaidiet startera auklu, kad tā pilnībā izvilkta. Atļaidiet startera auklu lēnām. Ievērojiet šos norādījumus, lai nepieļautu dzinēja bojājumus.

7. Pavelciet priekšējo roku aizsargu priekšējā roktura virzienā, lai izslēgtu ķēdes bremzi.
8. Ar labo roku turiet aizmugurējo rokturi un ar kreiso roku turiet priekšējo rokturi.
9. Darbiniet zāģi.

### Silta dzinēja iedarbināšana

1. Pārvietojiet priekšējo roku aizsargu uz priekšu, lai ieslēgtu ķēdes bremzi.
2. 6 reizes nospiediet startēšanas sūkni.
3. Pavirziet gaisa vārsta vadību līdz pilnai gaisa vārsta pozīcijai.
4. Pavirziet gaisa vārsta vadību līdz aizvērtai gaisa vārsta pozīcijai.
5. Ar kreiso roku piespiediet zāģa korpusu pie zemes. Ievietojiet labo pēdu aizmugurējā rokturī, lai ķēdes

zāģis būtu stabils. Lēni velciet startera auklas rokturi, līdz sajūtat pretestību. Tad velciet startera auklas rokturi ar spēku, līdz dzinējs sāk darboties. (Att. 51)

**Piezīme:** Mēģinot iedarbināt dzinēju, nespiediet mēlīti.



**IEVĒROJIET:** Nevelciet startera auklu līdz galam. Neatļaidiet startera auklu, kad tā pilnībā izvilka. Atļaidiet startera auklu lēnām. Ievērojiet šos norādījumus, lai nepieļautu dzinēja bojājumus.

6. Pavelciet priekšējo roku aizsargu priekšējā roktura virzienā, lai izslēgtu ķēdes bremzi.
7. Ar labo roku turiet aizmugurējo rokturi un ar kreiso roku turiet priekšējo rokturi.
8. Darbiniet zāģi.

## Dzinēja iedarbināšana, kad degviela ir pārāk karsta

Ja zāģis nesāk darboties, degviela var būt pārāk karsta.

**Piezīme:** Siltā laikā vienmēr lietojiet jaunu degvielu un samaziniet darba laiku.

1. Novietojiet zāģi vēsā vietā, neturiet to saules gaismā.
2. Ļaujiet zāģim atdzist vismaz 20 minūtes.
3. 10–15 sekundes atkārtoti nospiediet degvielas sūkni.
4. Izpildiet auksta dzinēja iedarbināšanas darbības. Skatiet šeit: *Auksta dzinēja iedarbināšana lpp. 234.*

## Dzinēja apturēšana

- Nospiediet apturēšanas slēdzi, lai apturētu dzinēju.

**Piezīme:** Apturēšanas slēdzis automātiski atgriežas sākotnējā stāvoklī.

## Balsta zoba izmantošana

Balsta zobs novērš atsitienus un notur koku zāģēšanas laikā. Balsta zobs ir balsta punkts starp dzinēja korpusu un virzītājsliedi.

1. Novietojiet balsta zoba apakšējo galu pareizā enģes platumā.
2. Ar kreiso roku piespiediet priekšējo rokturi, kamēr ceļat aizmugurējo rokturi ar labo roku.
3. Zāģējiet, līdz tiek iegūts pareizs enģes platumas.

**Piezīme:** Enģei jābūt vienādā biežumā.

4. Iezāģējiet vairāk kā līdz pusei no koka diametra un tad ievietojiet griezumā koku gāšanas ķīli.

## Koka nogāšana

1. Nofīriet no koka nefīrumus, akmeņus, atdalījušos mizu, naglas, skavas un stieples.

2. Iezāģējiet kokā iecirtumu 1/3 tā diametra apjomā perpendikulāri koka gāšanas virzienam. (Att. 52)
3. Veiciet apakšējo horizontālo iezāģējumu. Tas palīdzēs izvairīties no zāģa ķēdes vai virzītājsliedes iespiešanas, veicot otro iezāģējumu.
4. Veiciet vismaz 50 mm (2 collu) lielu koka atpakaļgāšanas griezumumu (X), kam jāatrodas augstāk par horizontālo iezāģējumu. Veiciet koka atpakaļgāšanas iezāģējumu paralēli horizontālās atzīmes iezāģējumam, lai paliktu pietiekami daudz koksnes, kas darbotos kā enģe. Nepārzāģējiet šo enģi. Koka enģe neļauj kokam šūpoties un krist nepareizā virzienā. (Att. 53) (Att. 54)
5. Kad atpakaļgāšanas griezumums tuvojas enģei, koks sāk gāzties. Nodrošiniet, lai koks krīt pareizā virzienā, nesasveras uz aizmuguri un neiespiež zāģa ķēdi. Pārtrauciet zāģēšanu pirms atpakaļgāšanas griezuma pabeigšanas, lai to nepieļautu. Izmantojiet koka, plastmasas vai alumīnija ķīlus, lai spiestu vajā griezumumu un liktu kokam krist vajadzīgajā virzienā. (Att. 55)
6. Kad koks sāk krist, izņemiet izstrādājumu no zāģējuma vietas, apturiet dzinēju, nolieciet izstrādājumu un tad izmantojiet iepriekš minēto atkāpšanās ceļu. Uzmanieties no krītošiem zariem un skatieties, kur liekat kāju. (Att. 56)

## Zaru apzāģēšana

1. Izmantojiet lielākos zarus, lai noturētu koku virs zemes.
2. Mazos zarus nozāģējiet vienā piegājienā. (Att. 57)
3. Nozāģējiet zarus, kas nospriegoti no apakšas uz augšu, lai nepieļautu zāģa ķēdes vai virzītājsliedes iespiešanu.

## Baļķa sagarumošana



**IEVĒROJIET:** Neļaujiet zāģa ķēdei saskarties ar zemi.

- Ja baļķis tiek atbalstīts visā tā garumā, sāciet zāģēt no baļķa augšdaļas (ko dēvē par sagarumošanu no augšas). (Att. 58)
- Ja baļķis tiek atbalstīts vienā galā, iezāģējiet baļķi 1/3 diametrā tā apakšpusē (ko dēvē par sagarumošanu no apakšas). (Att. 59)
- Ja baļķis tiek atbalstīts abos tā galos, iezāģējiet baļķi par 1/3 diametra no augšas. Pabeidziet zāģēšanu ar apakšējo 2/3 baļķa diametra pārzāģēšanu līdz saskarei ar pirmo iegriezumu. (Att. 60)
- Ja baļķis tiek sagarumots uz nogāzes, vienmēr stāviet baļķa nogāzes augšpusē. Zāģējiet baļķi, vienlaikus pilnībā pārvaldot izstrādājumu, tad pirms pārzāģēšanas beigām samaziniet zāģēšanas spiedienu un stingri satveriet aizmugurējo rokturi un priekšējo rokturi. (Att. 61)



**BRĪDINĀJUMS:** Pirms tīrīt, remontēt un apkopt zāģi, izlasiet un izprotiet drošības sadaļu.

## Apkopes grafiks

Obligāti ievērojiet apkopes grafiku. Intervāli tiek aprēķināti atbilstoši izstrādājuma ikdienas lietošanai. Ja nelietojat izstrādājumu katru dienu, intervāli ir atšķirīgi. Veiciet tikai tos apkopes darbus, kas minēti šajā rokasgrāmatā. Lai veiktu apkopes darbus, kas nav minēti šajā rokasgrāmatā, sazinieties ar pilnvarotu apkopes centru.

## Ikdienas apkope

- Notīriet ārējās virsmas.
- Pārbaudiet, vai bloķētājs un mēlīte darbojas pareizi.
- Notīriet ķēdes bremzi un pārbaudiet, vai tā darbojas pareizi.

(Att. 62 )

- Pārbaudiet, vai nav radušies ķēdes uztvērēja bojājumi. Ja ķēdes uztvērējs ir bojāts, nomainiet to.

(Att. 63 )

- Katru dienu apviersiet virzītājsliedi, lai panāktu tās vienmērīgāku nodilumu.
- Gādājiet, lai virzītājsliedes eļļošanas atvere nav aizsērējusi.

(Att. 64 )

- Iztīriet virzītājsliedes rievu.

(Att. 65 )

- Sekojiet, lai virzītājsliede un zāģa ķēde tiktu pienācīgi ieeļļota.
- Pārbaudiet, vai zāģa ķēdei nav:
  - plaisas ķēdes posmos un kniedēs;
  - pārmērīgi nodilušas kniedes un posmi;
  - ir pareizs spriegojums.

Ja nepieciešams, nomainiet zāģa ķēdi.

- Uzasiniet zāģa ķēdi. Skatiet šeit: *Zāģa ķēdes asināšana lpp. 237.*
- Pārbaudiet, vai nav nodilis dzinējzobrats un, ja nepieciešams, nomainiet.

(Att. 66 )

- Iztīriet startera bloka gaisa ieplūdes vietu.
- Pārliedziniet, vai skrūves un uzgriežņi ir stingri pievilkti.
- Pārbaudiet, vai apturēšanas slēdzis darbojas pareizi.
- Pārbaudiet, vai dzinējā, degvielas tvertnē un degvielas pievados nav noplūdes.
- Pārliedziniet, vai zāģa ķēde negriežas, kad dzinējs darbojas tukšgaitā.

## Iknedējas apkope

- Pārbaudiet, vai dzesēšana sistēma darbojas pareizi.
- Pārliedziniet, vai starteris, startera aukla un atgriežjatspere darbojas pareizi.
- Pārbaudiet, vai nav bojāti vibrāciju slāpēšanas elementi.

(Att. 67 )

- Novīļējiet virzītājsliedes malu atskarpes, ja tādas ir.
- Iztīriet vai nomainiet trokšņu slāpētāja dzirksteļu uztvērēja režģi.

(Att. 68 )

- Notīriet karburatoru un virsmu ap to.
- Iztīriet gaisa filtru. Ja gaisa filtrs ir bojāts vai pārāk netīrs, lai to pilnībā iztīrītu, uzstādiat jaunu. Plašāku informāciju skatiet šeit: *Gaisa filtra tīrīšana lpp. 237.*

## Ikmēneša apkope

- Pārbaudiet, vai nav nodilusi ķēdes bremzes lente. Nomainiet bremzes lenti, ja tās biezums visvairāk nodilušajā posmā ir mazāks par 0,6 mm (0,024 collām).

(Att. 69 )

- Pārbaudiet, vai sajūga centrs, sajūga cilindrs un sajūga atspere nav nodilusi.
- Notīriet aizdedzes sveci. Pārbaudiet, vai attālums starp aizdedzes sveces elektrodiem ir pareizs.

(Att. 70 )

- Notīriet karburatoru un virsmu ap to.
- Pārbaudiet degvielas filtru un degvielas šļūteni. Ja nepieciešams, nomainiet.
- Iztukšojiet degvielas tvertni.
- Iztukšojiet eļļas tvertni.
- Pārbaudiet visus kabelus un savienojumus.

## Ikgadēja apkope

- Pārbaudiet aizdedzes sveci.
- Notīriet karburatoru un virsmu ap to.
- Iztīriet dzesēšanas sistēmu.
- Pārbaudiet dzirksteļu uztvērēja režģi.
- Pārbaudiet degvielas filtru.
- Pārbaudiet, vai nav radušies degvielas šļūtenes bojājumi.
- Pārbaudiet visus kabelus un savienojumus.

## Periodiskā apkope

- Pēc 50 darba stundām lieciet apstiprinātam apkopes centram saremontēt vai nomainīt trokšņa slāpētāju.
- Veiciet aizdedzes sveces apkopi, kad:
  - ir zems dzinēja jaudas līmenis;
  - ir grūti iedarbināt dzinēju;

- tukšgaitā dzinējs nedarbojas pareizi.
- Katras degvielas uzpildes laikā pārbaudiet zāga ķēdes eļļošanas stāvokli. Skatiet šeit: *Zāga ķēde eļļošanas stāvokļa pārbaude lpp. 238.*

## Tukšgaitas apgriezienu skaita regulēšana

Pirms tukšgaitas apgriezienu skaita regulēšanas pārļiecinieties, vai gaisa filtrs ir tīrs un ir piespīrināts gaisa filtra pārsegs.

1. Grieziet regulēšanas skrūvi, kas apzīmēta ar "T" zīmi pulksteņrādītāju kustības virzienā, līdz zāga ķēde sāk kustību.
2. Grieziet regulēšanas skrūvi, kas apzīmēta ar "T" zīmi pretēji pulksteņrādītāju kustības virzienam, līdz zāga ķēde apstājas.
3. Tukšgaitas apgriezienu skaitam ir jābūt mazākam par to, pie kura zāga ķēde sāk kustību. Tukšgaitas apgriezienu skaits ir pareizs, ja dzinējs vienmērīgi darbojas visos režīmos.

## Dzirksteļu uztvērēja režģa tīrīšana

1. Ar metāla suku iztīriet dzirksteļu uztvērēja režģi.

## Aizdedzes svece apkope



**IEVĒROJIET:** Izmantojiet ieteikto aizdedzes sveces tipu. Pārļiecinieties, vai rezerves detaļa ir tāda pati kā ražotāja nodrošinātā. Nepareiza aizdedzes svece var radīt izstrādājuma bojājumus.

1. Ja zāģi ir grūti iedarbināt vai darbināt, pārbaudiet, vai uz aizdedzes sveces nav uzkrājušies nevēlami materiāli. Lai samazinātu nevēlamu materiālu uzkrāšanos uz aizdedzes sveces elektrodiem:
  - a) pārļiecinieties, vai tukšgaitas apgriezienu skaits ir pareizi noregulēts;
  - b) pārļiecinieties, vai degvielas maisījums ir pareizs;
  - c) pārļiecinieties, vai gaisa filtrs ir tīrs.
2. Ja aizdedzes svece ir nefira, notīriet to. Pārbaudiet, vai attālums starp aizdedzes sveces elektrodiem ir pareizs. (Att. 71 )
3. Kad nepieciešams, nomainiet aizdedzes sveci.

## Gaisa filtra tīrīšana

1. Noņemiet gaisa filtra pārsegu un izņemiet gaisa filtru.
2. Iztīriet gaisa filtru ar siltu ziepjūdeni. Pirms uzstādīšanas pārļiecinieties, vai gaisa filtrs ir sauss.
3. Nomainiet gaisa filtru, ja tas ir pārāk netīrs, lai to pilnībā notīrītu. Vienmēr nomainiet bojātu gaisa filtru.

## Zāga ķēdes asināšana

### Grieznis

Zāga ķēdes zāģējošo daļu sauc par griezēju, un tas sastāv no zāga zoba (A) un dziļummēra (B). Augstumu starpība starp šiem diviem elementiem nosaka griezēja griešanas dziļumu — dziļummēra iestatījumu (C).

(Att. 72 )

Asinot zāga zobus, ir jāņem vērā četri parametri.

- Asināšanas leņķis.

(Att. 73 )

- Zāģēšanas leņķis.

(Att. 74 )

- Vīles stāvoklis.

(Att. 75 )

- Apaļās vīles diametrs.

(Att. 76 )

### Griezējzobu asināšana

Griezējzobu asināšanai izmantojiet apaļo vīli un šablonu. Informāciju par ieteicamajiem vīles izmēriem un uz izstrādājuma uzstādāmo zāga ķēdes mēru skatiet šeit: *Zāga ķēdes vilēšana un zāga ķēdes kombinācijas lpp. 240.*

1. Pārļiecinieties, vai zāga ķēde ir pareizi nospriegota. Ir grūti pareizi noasināt vaļīgu ķēdi, jo tā kustas sānis.
2. Vispirms novilējiet vienu visu zobu pusi. Vilējiet griezējzobu iekšējās virsmas un samaziniet spiedienu uz atpakaļgājieni.
3. Apgrieziet izstrādājumu otrādi un vilējiet zobus otras puses.
4. Novilējiet visus zobus vienādā garumā. Kad griezējzobi ir vairs tikai 4 mm (5/32") gari, ķēde uzskatāma par nodilušu un ir jānomaina. (Att. 77 )

### Dziļummēra iestatījumu pielāgošana

Pirms regulējat dziļummēra iestatījumu, uzasiniet griezējzobus. Skatiet šeit: *Griezējzobu asināšana lpp. 237.* Uzasinot griezējzobus (A), samazinās dziļummēra iestatījums (C). Lai saglabātu optimālu griešanas veikspēju, dziļummērs (B) ir jānovilē līdz ieteicamajam dziļummēra iestatījumam. Lai noskaidrotu pareizu konkrētās ķēdes dziļummēra iestatījumu, skatiet šeit: *Zāga ķēdes vilēšana un zāga ķēdes kombinācijas lpp. 240.*

(Att. 78 )

(Att. 79 )

**Piezīme:** Šī rekomendācija paredz, ka zāga zobi nav pārsmērīgi novilēti.

Izmantojiet plakano vīli un dziļuma mērierīci, lai pielāgotu dziļummēru.

1. Novietojiet dziļuma mērierīci virs zāga ķēdes. Informācija par dziļuma mērītāja lietošanu ir atrodamā uz dziļuma mērītāja iepakojuma.
2. Lai novīlētu dziļummēra lieko daļu, izmantojiet plakanvīli. Dziļummērs ir pareizi novīlēts, kad, velkot vīli pār dziļuma mērītāju, nejūt nekādu pretestību.

## Zāga ķēdes spriegošana

**Piezīme:** Jaunās zāga ķēdes piestrādes laikā bieži pārbaudiet tās spriegojumu.

1. Atļaidiet virzītājsliedes uzgriežņus, kas notur ķēdes rata pārsegu. Lietojiet kombinēto atslēgu. (Att. 80 )
2. Ar roku iespējami stingri pievelciet virzītājsliedes uzgriežņus.
3. Paceliet virzītājsliedes augšdaļu un izstiepiet zāga ķēdi, pievelkot ķēdes spriegošanas skrūvi. Lietojiet kombinēto atslēgu. Pievelciet zāga ķēdi, līdz tā nenokarājas zem virzītājsliedes. (Att. 81 )
4. Pievelciet virzītājsliedes uzgriežņus, izmantojot kombinēto atslēgu, un vienlaikus paceliet virzītājsliedes galu. (Att. 82 )
5. Pārbaudiet, vai zāga ķēdi var netraucēti pagriezt ar roku un tā nenokarājas. (Att. 83 )

## Griešanas aprīkojuma eļļošana

### Zāga ķēde eļļošanas stāvokļa pārbaude

Katras degvielas uzpildes laikā pārbaudiet ķēdes zāga eļļošanas stāvokli.

1. Ieslēdziet zāgi un darbiniet to ar 3/4 no maksimālā ātruma. Vērsiet virzītājsliedes galu pret gaišās krāsas virsmu aptuveni 20 cm (8 collas) atstātus.
2. Pēc vienas minūtes ilgas darbināšanas uz gaišās virsmas parādīsies eļļas līnija.
3. Ja pēc vienas minūtes vēl nav redzama eļļas līnija, sazinieties ar apstiprināto izplatītāju. Izfriet virzītājsliedes malas rievu. Pārbaudiet, vai virzītājsliedes gala zobrats griežas netraucēti un eļļošanas atvere nav aizsērējusi. Notīriet un ieeļļojiet gala ķēdes ratu.
4. Ieslēdziet zāgi un darbiniet to ar 3/4 no maksimālā ātruma. Vērsiet sliedes galu pret gaišās krāsas virsmu aptuveni 20 cm (8 collas) atstātus.
5. Pēc vienas minūtes ilgas darbināšanas uz gaišās virsmas parādīsies eļļas līnija.
6. Ja pēc 1 minūtes nevarat vēl redzēt eļļas līniju, sazinieties ar apstiprināto izplatītāju.

## PĀRVADĀŠANA

- Pirms pārvadāšanas iztukšojiet degvielas un ķēdes eļļas tvertnes. Atbrīvojieties no izlietotajiem šķidrumiem pareizi.
- Pārvadāšanas laikā uzlieciet uz griešanas ierīces virzītājsliedes pārsegu. Tādējādi neviens nevarēs nejauši pieskarties asajai zāga ķēdei. Zāga ķēde, kas nekustas, var radīt traumu jums un citiem, kas pieskaras asajai zāga ķēdei.
- Pirms pārvadāšanas noņemiet no aizdedzes sveces uzgali un ieslēdziet ķēdes bremzi.
- Sekojiet, lai zāģis neizkustētos pārvadāšanas laikā.

## UZGLABĀŠANA

- Ja zāģi nelietojat, vienmēr to droši novietojiet glabāšanai. Noplūdes un izgarojumi no zāga var saskarties ar dzirkstelēm, atklātu liesmu no elektroaprīkojuma, elektriskajiem zāles plāvējiem, relejiem/slēdzīmiem, tvaika katliem un daudzām citām ierīcēm.
- Uzglabājiet degvielu tikai paredzētajās tvertnēs.
- Ilgstoši uzglabājot zāģi, iztukšojiet degvielas un ķēdes eļļas tvertni. Atbrīvojieties no izlietotajiem šķidrumiem pareizi.
- Uzglabājot zāģi, uzlieciet uz virzītājsliedes tās pārsegu. Tādējādi neviens nevarēs nejauši pieskarties asajai zāga ķēdei. Zāga ķēde, kas nekustas, var radīt smagu traumu jums un citiem, kas pieskaras asajai zāga ķēdei.
- Pirms zāga uzglabāšanas noņemiet no aizdedzes sveces uzgali un ieslēdziet ķēdes bremzi.

## TEHNISKIE DATI

	Mērvienība	120 Mark II (P02138HV)
<b>Dzinēja tehniskie dati</b>		
Cilindra darba tilpums	cm <sup>3</sup>	38
Aizdedzes svece		Champion RCJ7Y

	Mērvienība	120 Mark II (P02138HV)
Elektrodu atstarpe	mm (collas)	0,5 (0,02)
Degvielas tvertnes tilpums	cm <sup>3</sup>	300
Apgrīzietņu skaits tukšgaitā	min <sup>-1</sup>	2800–3200
Jauda ar 9000 apgr./min <sup>-1</sup>	kW	1,4
Emisiju noturības periods	h	50
<b>Trokšņa un vibrācijas līmeņa dati</b>		
Ekvivalentie vibrāciju līmeņi, $h_{veq}$ , priekšējais rokturis <sup>76</sup>	m/s <sup>2</sup>	4,5
Ekvivalentie vibrāciju līmeņi, $h_{veq}$ , aizmugurējais rokturis <sup>77</sup>	m/s <sup>2</sup>	6,0
Skaņas jaudas līmenis, garantētais ( $L_{WA}$ ) <sup>78</sup>	dB (A)	116
Skaņas jaudas līmenis, mērīts <sup>79</sup>	dB (A)	110
Skaņas spiediena līmenis pie operatora auss <sup>80</sup>	dB (A)	95
<b>Izstrādājuma izmēri</b>		
Svars (bez griešanas aprīkojuma)	kg	4,9
Eļļas tvertnes tilpums	cm <sup>3</sup>	200
<b>Degvielas un eļļošanas sistēma</b>		
Eļļas sūkņa darbspēja ar 9000 apgr./- <sup>1</sup>	ml/min	7
Eļļas tvertnes tilpums	cm <sup>3</sup>	200
Eļļas sūkņa tips		Automātisks
<b>Zāģa ķēde ar virzītājsliedi</b>		
Standarta virzītājsliedes garums	cm (collas)	35–40 (14–16)
Ieteicamais vadotnes garums	cm (collas)	35-45 (14-18)
Zāģēšanā izmantojamais garums	cm (collas)	34–39 (13,5–15,5)
Maksimālais zāģa ķēdes apgrīzietņu skaits	m/s	22,3
Zāģa ķēdes solis	mm (collas)	8,3 (0,325) 9,52 (3/8)
Piedziņas posmu biezums (mērs)	mm (collas)	1,3 (0,05)
Piedziņas zobrata tips		Ķēdes piesis

<sup>76</sup> Ekvivalentais vibrācijas līmenis saskaņā ar standartu ISO 22867 tiek aprēķināts kā laika sprīdī svērti kopīgie vibrācijas līmeņi dažādos darba apstākļos. Sniegtajos datos par līdzvērtīgu vibrācijas līmeni ir ietverta parastā 1 m/s<sup>2</sup> statistiskā izkliede (standarta novirze).

<sup>77</sup> Ekvivalentais vibrācijas līmenis saskaņā ar standartu ISO 22867 tiek aprēķināts kā laika sprīdī svērti kopīgie vibrācijas līmeņi dažādos darba apstākļos. Sniegtajos datos par līdzvērtīgu vibrācijas līmeni ir ietverta parastā 1 m/s<sup>2</sup> statistiskā izkliede (standarta novirze).

<sup>78</sup> Trokšņa līmenis vidē ir noteikts kā izmērītā skaņas jauda ( $L_{WA}$ ).

<sup>79</sup> Trokšņa līmenis vidē ir noteikts kā izmērītā skaņas jauda ( $L_{WA}$ ).

<sup>80</sup> Ekvivalentais skaņas spiediena līmenis tiek aprēķināts, kā laika intervālā svērti kopīgie skaņas spiediena līmeņi dažādos darba apstākļos. Tipiska statistiskā izkliede ekvivalentam trokšņa spiediena līmenim ir standarta novirze 1 dB (A).

	<b>Mērvienība</b>	<b>120 Mark II (P02138HV)</b>
Piedziņas zobrata zobu skaits		6 (piedziņas zobrata 3/8) 7 (piedziņas zobrata 0,325)

## PIEDERUMI

### Virzītājsliedes un zāģa ķēdes kombinācijas

Tālāk norādīto griešanas papildpiederumu izmantošana ir apstiprināta šim izstrādājumam.

Virzītājsliede				Zāģa ķēde	
Garums, cm (collas)	Solis, mm (collas)	Dzīļummērs, mm (collas)	Maks. gala rādīss	Tips	Piedziņas posmu skaits
33 (13)	8,25 (0 325)	1,3 (0,050)	10T	Husqvarna H30	56
38 (15)	8,25 (0 325)				64
35 (14)	9,52 (3/8)		7T	Husqvarna H37	52
40 (16)	9,52 (3/8)				56
45 (18)	9,52 (3/8)				62

### Zāģa ķēdes vīlēšana un zāģa ķēdes kombinācijas

Zāģa ķēde					
Ķēdes tips	Apajās vīles izmērs	Sānu plāksnes leņķis	Augšējās plāksnes leņķis	Vīles vadotnes leņķis	Dzīļummēra iestatīšana
H30	3/16 collas/ 4,8 mm	60°	30°	10°	0,025 collas/ 0,65 mm
H37	5/32 collas/ 4,0 mm	60°	30°	0°	0,025 collas/ 0,65 mm

## ES ATBILSTĪBAS DEKLARĀCIJAS SATURS

Ar šo mēs, Husqvarna AB, SE 561 82 Huskvarna, ZVIEDRIJĀ, ar pilnu atbildību apliecinām, ka šis izstrādājums:

<b>Apraksts</b>	<b>Ķēdes zāģis ar benzīna dzinēju</b>
Zīmols	Husqvarna



<b>Apraksts</b>	<b>Kēdes zāģis ar benzīna dzinēju</b>
Platforma/tips/modelis	Platforma P02138HV, atbilst modelim 120 Mark II
Partija	Sērijas numurs no 2018. gada un vēlāk

pilnībā atbilst šādām ES direktīvām un noteikumiem:

<b>Direktīva/regula</b>	<b>Apraksts</b>
2006/42/EK	par mašīnām
2014/30/EK	par elektromagnētisko savietojamību
2000/14/EK	par trokšņa emisiju vidē

Ir piemēroti šādi saskaņotie standarti un/vai tehniskās specifikācijas: EN ISO 12100, EN ISO 11681-1, CISPR 12, ISO 14982

Saskaņā ar direktīvas 2000/14/EK V pielikumu deklarētie skaņas līmeņi ir norādīti šīs rokasgrāmatas tehnisko datu sadaļā un parakstīti EK Atbilstības deklarācijā.

TÜV Rheinland LGA Products GmbH, iekārtu direktīvas prasībām (saskaņā ar 0197) atbilstoša ekspertīzes iestāde, kas atrodas šādā adresē: Tillystraße 2 - 90431 Nürnberg, Vācija, veica pārbaudi saskaņā ar direktīvas 2006/42/EK 12. paragrāfa 3b punktu.

Šis tipa pārbaudes sertifikāts saskaņā ar IX pielikumu, kas pievienots parakstītajai atbilstības deklarācijai, ir derīgs visām ražotnēm un izcelsmes valstīm, kas norādītas uz izstrādājuma.

Šis kēdes zāģis atbilst paraugam, kam veikta EK noteiktā tipa pārbaude.

---

## Inhoud

---

INLEIDING.....	242	TRANSPORT.....	253
VEILIGHEID.....	243	OPSLAG.....	253
MONTEREN.....	247	TECHNISCHE GEGEVENS.....	253
BEDIENING.....	248	ACCESSOIRES.....	255
ONDERHOUD.....	250	INHOUD VAN DE EG-VERKLARING VAN OVEREENSTEMMING.....	255

---

## INLEIDING

---

### Gebruikershandleiding

De oorspronkelijke taal van deze gebruikshandleiding is Engels. Bedieningshandleidingen in andere talen zijn vertalingen uit het Engels.

### Overzicht

(Fig. 1 )

1. Product- en serienummerplaatje
2. Gashendelvergrendeling
3. Voorste handgreep
4. Cilinderkap
5. Kettingrem met terugslagbeveiliging
6. Geluiddemper
7. Schorssteen
8. Neustandwiel in zaagblad
9. Rechterhandbescherming
10. Gashendel
11. Kettingwieldeksel
12. Kettingvanger
13. Geleider
14. Zaagketting
15. Starthendel
16. Kettingolietank
17. Startmotor
18. Brandstoftank
19. Chokehendel
20. Achterste handvat
21. Stopschakelaar
22. Stelschroef voor stationair draaien
23. Balgje voor extra brandstofvoer
24. Informatie- en waarschuwingsplaatje
25. Kettingspannerschroef
26. Geleiderkap
27. Combinatietang
28. Tweetaktolie
29. Bedieningshandleiding (EPA)

### Symbolen op het product

- (Fig. 2 )    Waarschuwing
- (Fig. 3 )    Lees deze handleiding
- (Fig. 4 )    Gebruik goedgekeurde hoofdbescherming, gehoorbescherming en oogbescherming
- (Fig. 5 )    Draag goedgekeurde beschermende handschoenen
- (Fig. 6 )    Het product voldoet aan de geldende EG-richtlijnen
- (Fig. 7 )    Geluidsvermogen
- (Fig. 8 )    Kettingrem, niet ingeschakeld (links).  
Kettingrem, ingeschakeld (rechts)
- (Fig. 9 )    Chokehendel
- (Fig. 10 )    Balgje voor extra brandstofvoer
- (Fig. 11 )    Tanken
- (Fig. 12 )    Zaagkettingolie bijvullen
- (Fig. 13 )    Dit apparaat voldoet aan de geldende EAC-richtlijnen
- (Fig. 14 )    Dit apparaat voldoet aan de geldende Oekraïense richtlijnen
- (Fig. 15 )    Geluidsniveau
- (Fig. 16 )    Houd het apparaat op de juiste wijze met beide handen vast
- (Fig. 17 )    Niet gebruiken met slechts één hand
- (Fig. 18 )    Voorkom contact met de neus van de geleider

(Fig. 19) Pas op voor terugslag

Dit apparaat voldoet aan de geldende Australische en Nieuw-Zeelandse richtlijnen inzake elektromagnetische compatibiliteit.

**Let op:** Andere symbolen/stickers op het product hebben betrekking op certificeringseisen voor overige commerciële markten.

## Productaansprakelijkheid

Zoals uiteengezet in de wet voor productaansprakelijkheid zijn wij niet aansprakelijk voor schade die door ons product wordt veroorzaakt, indien:

- het product niet goed is gerepareerd.
- het product is gerepareerd met onderdelen die niet van de fabrikant afkomstig zijn, of onderdelen die niet zijn goedgekeurd door de fabrikant.
- het product een accessoire bevat die niet afkomstig is van de fabrikant of niet is goedgekeurd door de fabrikant.
- het product niet is gerepareerd door een erkend servicepunt of door een erkende autoriteit.

---

# VEILIGHEID

---

## Veiligheidsdefinities

De onderstaande definities geven de mate van ernst weer voor elk trefwoord.



**WAARSCHUWING:** Letsel aan personen.



**OPGELET:** Schade aan het product.

**Let op:** Deze informatie maakt het product eenvoudiger in gebruik.

## Algemene veiligheidsinstructies

- Gebruik het product op de juiste manier. Onjuist gebruik leidt mogelijk tot letsel of de dood. Gebruik het product uitsluitend voor de taken die in deze handleiding worden genoemd. Gebruik het product niet voor andere taken.
- Lees, begrijp en houd u aan de instructies in deze handleiding. Volg de veiligheidssymbolen en veiligheidsinstructies op. Het niet in acht nemen van de instructies en de symbolen kan leiden tot letsel, schade of de dood.
- Gooi deze handleiding niet weg. Gebruik de instructies voor het monteren, gebruiken en onderhouden van uw product. Gebruik de instructies voor een correcte installatie van opzetstukken en accessoires. Gebruik alleen goedgekeurde opzetstukken en accessoires.
- Gebruik nooit een beschadigd product. Neem het onderhoudsschema in acht. Voer alleen onderhoudswerkzaamheden uit waarvoor u in deze handleiding een instructie aantreft. Alle overige onderhoudswerkzaamheden moeten door een erkend servicepunt worden uitgevoerd.
- Deze handleiding kan niet alle situaties beschrijven die zich voor kunnen doen wanneer u dit product

gebruikt. Wees voorzichtig en gebruik uw gezond verstand. Gebruik het product niet en voer geen onderhoudswerkzaamheden aan het product uit als u niet zeker bent van de situatie. Neem voor meer informatie contact op met een productexpert, uw dealer, servicewerkplaats of erkende servicepunt.

- Koppel de bougiekabel los voordat u het product monteert, het product opslaat of onderhoudswerkzaamheden uitvoert.
- Gebruik het product niet als de oorspronkelijke specificatie is gewijzigd. Vervang geen onderdelen van het product zonder toestemming van de fabrikant. Gebruik alleen onderdelen die zijn goedgekeurd door de fabrikant. Onjuist onderhoud kan leiden tot letsel of de dood.
- Adem geen dampen in van de motor. Langdurige inademing van de uitlaatgassen van de motor, kettlingolienevel of zaagstof kan een gevaar voor de gezondheid opleveren.
- Start het product niet in gesloten ruimtes of in de buurt van licht ontvlambaar materiaal. De uitlaatgassen zijn heet en kunnen vonken veroorzaken die tot brand kunnen leiden. Onvoldoende ventilatie kan leiden tot ernstig of fataal letsel door verstikking of het inademen van koolmonoxide.
- Dit apparaat genereert tijdens bedrijf een elektromagnetisch veld. Het elektromagnetische veld kan schade veroorzaken aan medische implantaten. Raadpleeg uw arts en de fabrikant van het medische implantaat voordat u het product gebruikt.
- Laat het product niet door een kind bedienen.
- Laat het product niet bedienen door een persoon die de instructies niet heeft gelezen.
- Houd personen met een lichamelijke of geestelijke beperking die het product gebruiken, altijd in de gaten. Er moet te allen tijde een verantwoordelijke volwasse aanwezig zijn.
- Berg het product op in een afgesloten ruimte die niet toegankelijk is voor kinderen of onbevoegde personen.

- Het product kan objecten uitwerpen en letsel veroorzaken. Neem de veiligheidsinstructies in acht om het risico op letsel of de dood te verlagen.
- Blijf in de buurt van het product wanneer de motor is ingeschakeld. Schakel de motor uit en zorg ervoor dat de ketting niet draait.
- De gebruiker van het product is verantwoordelijk indien zich een ongeval voordoet.
- Zorg dat er geen onderdelen beschadigd zijn, voordat u het product gebruikt.
- Neem nationale en lokale wetgeving in acht. Deze kan het gebruik van het product in sommige situaties beperken of verbieden.

## Veiligheidsinstructies voor bediening

- Het voortdurend of regelmatig bedienen van het product kan zorgen voor "witte vingers" of dergelijke medische problemen als gevolg van trillingen. Houd de toestand van uw handen en vingers in de gaten als u het product voortdurend of regelmatig gebruikt. Als uw handen of vingers verkleuren, pijn doen, tintelen of doof aanvoelen, stop dan met werken en raadpleeg onmiddellijk een arts.
- Zorg ervoor dat het product volledig is gemonteerd voordat u het gaat gebruiken.
- Het gebruik van het apparaat kan tot rondvliegende voorwerpen leiden, waardoor oogletsel kan ontstaan. Draag altijd goedgekeurde oogbescherming wanneer u het apparaat gebruikt.
- Let op: Tijdens het gebruik kan een kind zonder uw medeweten dicht bij het product komen.
- Gebruik dit product niet als zich personen in het werkgebied bevinden. Schakel het product uit wanneer een persoon het werkgebied betreedt.

(Fig. 21)

- Zorg dat u het product altijd onder controle hebt.
- Het apparaat moet met twee handen worden gebruikt. Gebruik het apparaat nooit met één hand. Werken met één hand kan leiden tot ernstig letsel voor de gebruiker, medewerkers, omstanders of een combinatie van deze personen.
- Houd de voorste handgreep vast met uw linkerhand en de achterste handgreep met uw rechterhand. Houd het apparaat rechts van uw lichaam.

(Fig. 22)

- Gebruik het apparaat niet wanneer u vermoeid of ziek bent, of alcohol of drugs hebt gebruikt.
- Gebruik het product niet als u geen hulp kunt krijgen indien zich een ongeval voordoet. Zorg ervoor dat anderen weten dat u het product gaat gebruiken voordat u het product start.
- Draai niet met het product voordat u zeker weet dat er zich geen personen of dieren in de veiligheidszone bevinden.
- Verwijder alle ongewenste materialen uit het werkgebied voordat u begint. Als de ketting een voorwerp raakt, kan dit worden weggeslingerd en letsel of schade veroorzaken. Rondom de ketting

kan zich ongewenst materiaal wikkelen dat schade veroorzaakt.

- Gebruik het apparaat niet bij slecht weer, zoals mist, regen, sterke wind, gevaar voor blikseminslag of andere ongunstige weersomstandigheden. Bij slecht weer kunnen gevaarlijke omstandigheden, zoals gladde oppervlakken, ontstaan.
- Zorg dat u vrij kunt bewegen en in een stabiele houding kunt werken.
- Zorg dat u niet kunt vallen wanneer u het product gebruikt. Buig u niet voorover of achterover wanneer u het product bedient.
- Houd het product altijd met twee handen vast. Houd de voorste handgreep vast met uw linkerhand en de achterste handgreep met uw rechterhand. Houd het apparaat rechts van uw lichaam.
- Als de chokhendel tijdens het starten van de motor in de chokstand staat, zal de ketting gaan draaien.
- Schakel de motor uit voordat u het product verplaatst.
- Zet het product niet neer terwijl de motor is ingeschakeld.
- Stop de motor voordat u ongewenste materialen verwijdert van het apparaat. Laat de ketting eerst stoppen voordat u (al dan niet met een hulpmiddel) het gesneden materiaal verwijdert.
- Gebruik dit apparaat niet in een boom. Het gebruik van dit apparaat in een boom kan letsel veroorzaken.

(Fig. 23)

- De kettingrem moet zijn ingeschakeld wanneer het product wordt gestart, om te voorkomen dat u tijdens het starten door de ketting wordt geraakt.

(Fig. 24)

- Vermijd terugslag, wegglijden, stuiten en vallen, daardoor kan ernstig letsel ontstaan.
- Volg alle veiligheidsvoorschriften op om ernstig letsel door terugslag en andere factoren te voorkomen.
- Stel de spanning van de zaagketting regelmatig af om zeker te zijn dat de zaagketting niet verslapt. Een slappe zaagketting kan losraken en ernstig of dodelijk letsel veroorzaken.
- Hanteer geen onjuiste werkwijze om bomen te kappen. Hierdoor kan lichamelijk letsel optreden, een nutsvoorziening worden geraakt of materiële schade ontstaan.
- De gebruiker moet op het hogerliggende terrein blijven, aangezien de boom nadat deze is gekapt, waarschijnlijk heuvelafwaarts rolt of schuift.

(Fig. 25)

- Bepaal een vluchtroute en maak deze zo nodig vrij voordat u gaat zagen. De vluchtweg moet zich naar achteren en diagonaal ten opzichte van het uiteinde van de verwachte vallijn uitstrekken.

(Fig. 26)

- Schakel altijd de motor uit voordat u het apparaat verplaatst tussen de bomen.

- Zorg dat uw voeten stevig op de grond staan en verdeel uw gewicht gelijkmatig over beide voeten.

(Fig. 27)

- Ga altijd goed staan en bedien het apparaat alleen terwijl u op een vaste, stevige en vlakke ondergrond staat. Gladde of onstabiele oppervlakken, zoals ladders, kunnen verlies van evenwicht of controle veroorzaken.

(Fig. 28)

## Weggliden, stuiteren, vallen en terugslag

Verschillende krachten kunnen van invloed zijn op een veilig gebruik van het apparaat.

- **Weggliden** doet zich voor wanneer de geleider snel langs het hout glijdt of beweegt.
- **Stuiteren** doet zich voor wanneer de geleider omhoog komt van het hout en het hout telkens opnieuw raakt.
- **Vallen** doet zich voor wanneer het apparaat in neerwaartse richting beweegt nadat de snede is gemaakt. Hierdoor kan de draaiende ketting een lichaamsdeel of andere voorwerpen raken en letsel of schade veroorzaken.
- **Terugslag** doet zich voor wanneer het uiteinde van de geleider in aanraking komt met een voorwerp en daardoor naar achteren, naar boven of plotseling naar voren beweegt. Terugslag treedt ook op wanneer het hout dichttrekt en de zaag bekneld raakt tijdens het snijden. Als het apparaat een voorwerp in het hout raakt, bestaat het gevaar dat u de controle verliest.

(Fig. 29)

- **Roterende terugslag** kan optreden wanneer de draaiende ketting een voorwerp aan de bovenzijde van de geleider raakt. Hierdoor kan de ketting zich in het voorwerp werken en onmiddellijk tot stilstand komen. Dit leidt tot een zeer snelle, omgekeerde reactie die tot gevolg heeft dat de geleider omhoog en naar achteren beweegt in de richting van de gebruiker.

(Fig. 30)

(Fig. 31)

- **Terugslag door beknelling** kan optreden wanneer de zaagketting tijdens het snijden plotseling tot stilstand komt. Het hout trekt dicht en klemt de draaiende zaagketting vast langs de bovenzijde van de geleider. Door het plotselinge stoppen van de ketting komen krachten in tegengestelde richting vrij, zodat het apparaat in omgekeerde richting van de kettingrotatie gaat bewegen. Het apparaat beweegt naar achteren, in de richting van de gebruiker.

(Fig. 32)

- **Intrekken** kan optreden wanneer de zaagketting plotseling tot stilstand komt doordat de draaiende ketting een voorwerp in het hout aan de onderzijde van de geleider raakt. Door het

plotselinge stoppen wordt het apparaat naar voren, weg van de gebruiker getrokken, waardoor de gebruiker de controle over het apparaat kan verliezen.

(Fig. 33)

Voordat u het apparaat in gebruik neemt, moet u inzicht hebben in de verschillende krachten en weten hoe u deze situaties kunt voorkomen.

## Voorkomen van terugslag, wegglijden, stuiteren en vallen

- Wanneer de motor draait, moet u het apparaat stevig vasthouden. Houd de voorste handgreep vast met uw linkerhand en de achterste handgreep met uw rechterhand. Zorg voor een stevige grip met uw duimen en vingers rondom de handgrepen. Laat de handgrepen niet los.
- Houd het apparaat onder controle tijdens het snijden en nadat het hout op de grond is gevallen. Let erop dat het apparaat niet door het gewicht in neerwaartse richting beweegt nadat de snede is gemaakt.(Fig. 34)
- Zorg dat het gebied waarin u aan het zagen bent, vrij is van obstakels. Voorkom dat de neus van de geleider een boomstronk, tak of ander obstakel raakt tijdens het gebruik van het apparaat.
- Zaag met een hoog motortoerental.
- Reik nooit te ver en zaag nooit boven schouderhoogte.(Fig. 35)
- Houd u aan de instructies van de fabrikant voor het slijpen en onderhouden van de zaagketting.
- Monteer uitsluitend vervangende geleiders en zaagkettingen die door de fabrikant zijn gespecificeerd.
- Een te grote snijdiepte vergroot het terugslagrisico van de ketting.

## Persoonlijke beschermingsmiddelen

- Draag altijd de juiste persoonlijke beschermingsmiddelen wanneer u het apparaat gebruikt. De persoonlijke beschermingsmiddelen nemen het risico op letsel niet weg. De persoonlijke beschermingsmiddelen verlagen de ernst van het letsel indien zich een ongeval voordoet.
- Over het algemeen moet kleding strak aansluiten, zonder dat het uw bewegingen belemmert.
- Draag een goedgekeurde veiligheidshelm.
- Gebruik altijd goedgekeurde gehoorbescherming wanneer u het product gebruikt. Langdurig lawaai kan gehoorverlies veroorzaken.
- Draag altijd een veiligheidsbril of gezichtsvizier om letselgevaar door rondvliegende voorwerpen te verminderen. Het product is in staat om met grote kracht voorwerpen, zoals zaagsel, kleine stukjes hout enz., weg te slingeren. Dit kan leiden tot ernstig letsel, vooral aan ogen.
- Draag handschoenen met kettingzaagbescherming.
- Draag een broek met kettingzaagbescherming.

- Draag laarzen met kettingzaagbescherming, stalen neuzen en antislipzolen.
- Zorg ervoor dat u een EHBO-kit bij de hand hebt.
- Er kunnen vonken springen vanaf de uitlaatdemper, geleider en zaagketting of vanaf andere onderdelen. Zorg dat u altijd een brandblusser en een schop bij de hand hebt om bosbranden te voorkomen.

## Veiligheidsvoorzieningen op het product

- Zorg ervoor dat u regelmatig onderhoudswerkzaamheden uitvoert aan het product.
  - De levensduur van het product neemt toe.
  - Het risico van ongevallen neemt af.

Laat het product regelmatig door een erkende dealer of een erkend servicepunt controleren, zodat er aanpassingen en reparaties uitgevoerd kunnen worden.

- Gebruik geen product met beschadigde beschermingsmiddelen. Als het product beschadigd is, neemt u dan contact op met een erkend servicepunt.

## Stopschakelaar

Start de motor. Controleer of de motor stopt wanneer u de stopschakelaar in de stop-stand zet.

## Gashendelvergrendeling controleren

1. Zorg dat de gashendel (B) is vergrendeld in de stationaire stand wanneer u de gashendelvergrendeling (A) ontgrendelt. (Fig. 36 )
2. Druk op de gashendelvergrendeling (A) en controleer of deze teruggaat naar de oorspronkelijke stand wanneer u hem loslaat.
3. Druk op de gashendel (B) en controleer of deze teruggaat naar de oorspronkelijke stand wanneer u hem loslaat.
4. Start de motor en laat de zaag met maximaal toerental draaien.
5. Laat de gashendel los en controleer of de zaagketting tot stilstand komt.
6. Als de zaagketting blijft draaien wanneer de motor stationair draait, controleert u de stelschroef voor stationair draaien op de carburateur.

## Beschermkap

De beschermkap voorkomt dat voorwerpen in de richting van de gebruiker worden geslingerd. De beschermkap voorkomt ook dat de zaagketting tegen de gebruiker aan komt.

- Zorg dat de beschermkap is toegestaan voor gebruik in combinatie met het product.
- Gebruik het product niet zonder de beschermkap.

- Controleer of de beschermkap niet is beschadigd. Vervang de beschermkap als deze is versleten of scheuren vertoont.

## Brandstofveiligheid

- Start het product niet als er brandstof of motorolie op het product aanwezig is. Verwijder de ongewenste brandstof/olie en laat het product drogen. Verwijder ongewenste brandstof van het product.
- Als u brandstof op uw kleding morst, trek dan direct andere kleding aan.
- Zorg dat er geen brandstof op uw lichaam terecht komt, dit kan letsel veroorzaken. Als er brandstof op uw lichaam terecht komt, verwijder deze dan met water en zeep.
- Start de motor niet als u brandstof op het product of op uw lichaam hebt gemorst.
- Start het product niet als er sprake is van een motorlekkage. Controleer de motor regelmatig op lekkage.
- Wees voorzichtig met brandstof. Brandstof is licht ontvlambaar en de dampen zijn explosief. Ze kunnen letsel veroorzaken of leiden tot de dood.
- Adem geen brandstofdampen in, dit kan letsel veroorzaken. Zorg voor voldoende ventilatie.
- Rook niet in de buurt van de brandstof of de motor.
- Plaats geen warme voorwerpen in de buurt van de brandstof of de motor.
- Vul geen brandstof bij terwijl de motor is ingeschakeld.
- Zorg ervoor dat de motor koud is wanneer u brandstof bijvult.
- Draai de tankdop langzaam open en laat de druk voorzichtig ontsnappen voordat u brandstof bijvult.
- Vul geen brandstof voor de motor bij in een afgesloten ruimte. Onvoldoende ventilatie kan leiden tot ernstig letsel of de dood door verstikking of het inademen van koolmonoxide.
- Draai de tankdop goed vast, zodat er geen brand kan ontstaan.
- Verplaats het product minstens 3 m (10 ft) van de plaats waar u de brandstoftank hebt gevuld, voordat u het product start.
- Doe niet te veel brandstof in de brandstoftank.
- Zorg dat er geen brandstof wordt gemorst wanneer u het product of de jerrycan met brandstof verplaatst.
- Plaats het product of de jerrycan met brandstof niet op een plaats waar deze wordt blootgesteld aan open vuur, vonken of waakvlammen. Zorg dat er geen open vuur aanwezig is in de opslagruimte.
- Gebruik alleen goedgekeurde jerrycans voor het verplaatsen of opslaan van brandstof.
- Leeg de brandstoftank voordat het product gedurende lange tijd wordt opgeslagen. Neem lokale wetgeving in acht voor het afvoeren van brandstof.
- Reinig het product voordat het gedurende lange tijd wordt opgeslagen.

- Verwijder de bougiekabel voordat het product wordt opgeslagen, zodat de motor niet onbedoeld kan starten.

## Veiligheidsinstructies voor onderhoud

- Koppel altijd de bougie los voordat u onderhoudswerkzaamheden gaat uitvoeren, behalve wanneer u de carburateur wilt afstellen.
- Laat alle onderhoudswerkzaamheden aan het apparaat uitvoeren door een erkende dealer, met uitzondering van de werkzaamheden in *ONDERHOUD op pagina 250*.
- Controleer of de zaagketting tot stilstand komt wanneer de gashendel wordt losgelaten.
- Zorg dat de handgrepen droog, schoon en vrij van olie of brandstof blijven.
- Zorg dat doppen en bevestigingen goed blijven vastzitten.
- Het gebruik van niet-goedgekeurde vervangende onderdelen of het verwijderen van veiligheidsvoorzieningen kan leiden tot schade aan het apparaat. Hierdoor kan ook letsel ontstaan bij de gebruiker of bij omstanders. Gebruik alleen aanbevolen accessoires en vervangende onderdelen. Breng geen wijzigingen aan het product aan.
- Zorg dat de zaagketting scherp en schoon blijft voor veilige, uitstekende prestaties.

- Volg de instructies voor het smeren en vervangen van onderdelen.
- Controleer het product op beschadigde onderdelen. Controleer of eventuele schade aan de beschermkap of een bepaald onderdeel een correcte werking in de weg staat, voordat u het apparaat opnieuw in gebruik neemt. Controleer op defecte of onjuist uitgelijnde onderdelen en op onderdelen die niet vrij bewegen. Controleer of er andere omstandigheden zijn die de werking van het apparaat negatief kunnen beïnvloeden. Controleer of het apparaat correct is gemonteerd. Een beschadigde beschermkap of ander beschadigd onderdeel moet worden gerepareerd of vervangen door een erkende dealer, tenzij de gebruikershandleiding anders vermeldt.
- Wanneer het apparaat niet in gebruik is, bewaart u het op een droge, hoge en afgesloten locatie buiten het bereik van kinderen.
- Gebruik tijdens het transporteren of opslaan van het apparaat een geleiderkap of afscherming om het apparaat te verplaatsen.
- Gebruik geen afgewerkte olie. Afgewerkte olie kan gevaarlijk voor u zijn en schade aan het apparaat en milieu toebrengen.

---

## MONTEREN

---



**WAARSCHUWING:** Zorg dat u het hoofdstuk over veiligheid hebt gelezen en begrepen voordat u het apparaat monteert.

### Geleider en zaagketting monteren

1. Beweeg de terugslagbeveiliging in de richting van de voorste handgreep om de kettingrem uit te schakelen.
2. Klap de knop naar buiten open. (Fig. 37 )
3. Draai de knop linksom om de geleiderkap los te maken. (Fig. 38 )
4. Verwijder de knop (A) en het kettingwieldeksel. Verwijder de transportbescherming indien deze is geïnstalleerd. (Fig. 39 )
5. Zet de geleider over de zaagbladbouten. Duw de geleider volledig in de achterste positie. Leg de zaagketting over het kettingaandrijf wiel en positioneer de ketting in de groef van de geleider. Begin aan de bovenzijde van de geleider. (Fig. 40 )
6. Zorg dat de sijkanten van de zaagschakels aan de bovenrand van de geleider naar voren wijzen.
7. Monteer het kettingwieldeksel en breng de stelpen van de kettingspanner aan in de uitsparing van de geleider. Controleer of de aandrijschakels van de ketting correct aanliggen op het kettingaandrijf wiel.

Controleer ook of de zaagketting correct is gepositioneerd in de groef op de geleider. (Fig. 41 )

8. Breng de zaagketting op spanning door het wiel naar beneden te draaien (+). Span de ketting tot hij niet langer slap hangt aan de onderkant van de geleider. (Fig. 42 )
9. De zaagketting heeft de juiste spanning als deze niet slap hangt aan de onderkant van de geleider, maar u de ketting nog gemakkelijk met de hand kunt draaien.
10. Houd de punt van de geleider naar boven en draai de knop rechtersom om hem vast te zetten. (Fig. 43 )
  - Controleer na het monteren van een nieuwe zaagketting regelmatig de kettingspanning, totdat de zaagketting is ingelopen.
  - Controleer de kettingspanning op gezette tijden. Een correcte kettingspanning leidt tot goede zaagresultaten en een lange levensduur.

### Kettingrem terugstellen

Als de koppelingsskap per ongeluk is verwijderd terwijl de kettingrem is vergrendeld, moet de kettingrem worden ontgrendeld, zodat het koppelingsdeksel kan worden aangebracht zonder dat het de koppelingstrommel raakt.



**OPGELET:** De veer van de kettingrem staat onder spanning. Wees voorzichtig bij het terugstellen van de kettingrem.

**Let op:** Houd de remband niet vast terwijl u de rem terugstelt.

## BEDIENING



**WAARSCHUWING:** Lees en begrijp het hoofdstuk over veiligheid voordat u het product gebruikt.

### Brandstof gebruiken



**OPGELET:** Dit product heeft een tweetaktmotor. Gebruik een mengsel van benzine en tweetakt-motorolie. Zorg dat u de juiste hoeveelheid olie gebruikt in het mengsel. Door een onjuiste verhouding van benzine en olie kan de motor beschadigd raken.

### Mengverhouding voor brandstof

De mengverhouding voor benzine en tweetakt-motorolie is 50:1 (2%)

Benzine	Tweetakt-motorolie
1 U.S. Gal.	77 ml (2,6 oz)
1 UK Gal.	95 ml (3,2 oz)
5 l	100 ml (3,4 oz)

### Brandstof mengen

- Bepaal de juiste hoeveelheid benzine en motorolie (mengverhouding 50:1). Prepareer geen grotere hoeveelheid brandstofmengsel dan u binnen 30 dagen zult gebruiken. Zie *Brandstof gebruiken op pagina 248*.
- Giet de helft van de hoeveelheid benzine in een schone jerrycan met een anti-morsschenkuit.



**OPGELET:** Gebruik geen benzine met een ethanolgehalte van meer dan 10% (E10). Dit kan schade aan het product veroorzaken.



**OPGELET:** Gebruik geen benzine met een octaangetal lager dan 90 RON (87 AKI). Dit kan schade aan het product veroorzaken.

- Lijn de inkepingen op het geleidergereedschap uit, zodat ze passen op de roterende remkoppeling.(Fig. 44 )
- Draai de koppeling rechtsom tot de aanslag om de rem terug te stellen. De voorste koppeling staat omlaag gedraaid wanneer de kettingrem is ontgrendeld.(Fig. 45 )(Fig. 46 )



**OPGELET:** Gebruik altijd motorolie van hoge kwaliteit voor luchtgekoelde tweetaktmotoren. Andere oliën kunnen schade aan het apparaat veroorzaken.

- Schud het brandstofmengsel om de stoffen te mengen.
- Voeg de resterende hoeveelheid benzine toe aan de jerrycan.
- Schud het brandstofmengsel om de stoffen te mengen.
- Vul de brandstoftank van het apparaat met het brandstofmengsel. Zie *Brandstof gebruiken op pagina 248*.

### Brandstoftank vullen

- Zorg dat het brandstofmengsel juist is en zich in een jerrycan met een anti-morsschenkuit bevindt.
- Als zich aan de buitenzijde van de jerrycan brandstof bevindt, verwijdert u dit en laat u de jerrycan drogen.
- Zorg dat het oppervlak rondom de tankdop schoon is.
- Verwijder de brandstoftankdop.
- Schud de jerrycan voordat u het brandstofmengsel in de brandstoftank laat lopen.
- Plaats de tankdop terug.

### Zaagketting smeren

Het apparaat is voorzien van een automatisch smeersysteem. De tank voor de kettingolie en de brandstoftank zijn zo gedimensioneerd dat de brandstof op is voordat de kettingolie op is. Deze veiligheidsvoorziening vereist dat de juiste kettingolie wordt gebruikt en dat de instructies worden opgevolgd.

- Gebruik plantaardige zaagkettingolie of een standaard kettingolie.
- Zorg dat het gebied in de buurt van de tankdop van de kettingolietank schoon is.
- Verwijder de dop van de kettingolietank.



4. Vul de kettingolietank met de aanbevolen zaagkettingolie.
5. Plaats de dop van de kettingolietank terug.

## Starten en stoppen

### Voordat u de motor start

- Controleer het product op ontbrekende, beschadigde, loszittende of versleten onderdelen.
- Controleer de moeren, schroeven en bouten.
- Controleer het luchtfilter.
- Controleer of de gashendelvergrendeling en de gashendel naar behoren werken.
- Controleer of de stopschakelaar naar behoren werkt.
- Controleer het product op brandstoflekkage.
- Controleer de scherpte en de spanning van de zaagketting.

### Koude motor starten

1. Duw de terugslagbeveiliging naar voren om de kettingrem in te schakelen. (Fig. 47 )
2. Druk het balgje voor extra brandstoftoevoer 6 maal in. (Fig. 48 )
3. Zet de chokeknop in de volledig geopende stand. (Fig. 49 )
4. Druk de behuizing van het apparaat met uw linkerhand op de grond. Duw uw rechtervoet in de achterste hendel om de kettingzaag te stabiliseren. Trek langzaam aan de greep van het startkoord totdat u enige weerstand voelt. Trek daarna 5 keer stevig aan de greep van het startkoord. (Fig. 50 )

**Let op:** Trek niet aan de gashendel terwijl u de motor start.

5. Zet de chokeknop in de gesloten stand.
6. Trek aan de greep van het startkoord totdat de motor start. Wacht na het starten van de motor 60 seconden voordat u de gashendel bedient.



**OPGELET:** Trek niet aan het startkoord totdat deze stopt. Laat het startkoord niet los wanneer het volledig is uitgetrokken. Laat het startkoord langzaam los. Volg deze instructies om motorschade te voorkomen.

7. Trek de terugslagbeveiliging in de richting van de voorste handgreep om de kettingrem uit te schakelen.
8. Houd de achterste handgreep vast met uw rechterhand en de voorste handgreep met uw linkerhand.
9. Neem het apparaat in gebruik.

### Warme motor starten

1. Duw de terugslagbeveiliging naar voren om de kettingrem in te schakelen.

2. Druk het balgje voor extra brandstoftoevoer 6 maal in.
3. Zet de chokeknop in de volledig geopende stand.
4. Zet de chokeknop in de gesloten stand.
5. Druk de behuizing van het apparaat met uw linkerhand op de grond. Duw uw rechtervoet in de achterste hendel om de kettingzaag te stabiliseren. Trek langzaam aan de greep van het startkoord totdat u enige weerstand voelt. Trek vervolgens stevig aan de greep van het startkoord totdat de motor start. (Fig. 51 )

**Let op:** Trek niet aan de gashendel terwijl u de motor start.



**OPGELET:** Trek niet aan het startkoord totdat deze stopt. Laat het startkoord niet los wanneer het volledig is uitgetrokken. Laat het startkoord langzaam los. Volg deze instructies om motorschade te voorkomen.

6. Trek de terugslagbeveiliging in de richting van de voorste handgreep om de kettingrem uit te schakelen.
7. Houd de achterste handgreep vast met uw rechterhand en de voorste handgreep met uw linkerhand.
8. Neem het apparaat in gebruik.

### Motor starten als de brandstof te warm is

Als het apparaat niet start, is de brandstof mogelijk te warm.

**Let op:** Gebruik altijd nieuwe brandstof en verkort de gebruiksduur bij warm weer.

1. Leg het apparaat op een koele plek, uit de buurt van direct zonlicht.
2. Laat het apparaat minimaal 20 minuten afkoelen.
3. Druk het balgje voor extra brandstoftoevoer gedurende 10 tot 15 seconden telkens opnieuw in.
4. Volg de procedure voor het starten van een koude motor. Zie *Koude motor starten op pagina 249*.

### Motor uitschakelen

- Druk de stopschakelaar in om de motor te stoppen.

**Let op:** De stopschakelaar keert automatisch terug naar zijn oorspronkelijke stand.

### Schorssteun gebruiken

Een schorssteun voorkomt terugslag en houdt het hout vast tijdens het zagen. De schorssteun is een draaipen tussen het motorblok en de geleider.

1. Stel de onderzijde van de schorssteun in op de juiste breedte van het kantelpunt.

2. Druk met uw linkerhand tegen de voorste handgreep terwijl u de achterste handgreep omhoog tilt met uw rechterhand.
3. Gebruik de zaag totdat u een kantelpunt met de juiste breedte hebt.

---

**Let op:** Het kantelpunt moet overal even dik zijn.

---

4. Zaag de stam voor meer dan de helft door en plaats vervolgens de velwig in de zaagsnede.

## Boom kappen

1. Verwijder vuil, stenen, losse schors, spijkers, nieten en draden uit de boom.
2. Maak een schuine zaagsnede met een diepte van één derde van de stamdikte, loodrecht op de valrichting.(Fig. 52 )
3. Maak de onderste horizontale zaagsnede van de valkerf. Hierdoor voorkomt u dat de zaagketting of de geleider bekneld raakt wanneer u de tweede zaagsnede maakt.
4. Maak aan de tegenoverliggende zijde de velsnede (X), minimaal 50 mm (2 inch) hoger dan de horizontale zaagsnede van de valkerf. Zorg dat de velsnede evenwijdig loopt aan de horizontale inkeping, zodat er voldoende hout overblijft om als kantelpunt te dienen. Zaag niet door het kantelpunt. Het kantelpunt zorgt ervoor dat de boom niet draait of in de verkeerde richting valt.(Fig. 53 )(Fig. 54 )
5. Wanneer de achterste velsnede dichterbij het kantelpunt komt, zal de boom beginnen te vallen. Zorg dat de boom in de juiste richting kan vallen en dat de boom niet achterwaarts overhelst en de zaagketting afklemt. Om dit te voorkomen, stopt u met zagen voordat de achterste velsnede is voltooid. Gebruik houten, kunststof of aluminium wiggen om de snede te openen en de boom in de gewenste richting te laten vallen.(Fig. 55 )
6. Wanneer de boom begint te vallen, verwijdert u het product uit de snede, stopt u de motor en zet u het

product neer. Daarna loopt u weg over de geplande vluchtweg. Let op takken die van boven u naar beneden vallen en kijk uit waar u loopt.(Fig. 56 )

## Boom snoeien

1. Laat grotere takken aan de boom zitten om de stam van de grond te houden.
2. Verwijder kleine takken met één enkele snede.(Fig. 57 )
3. Takken onder spanning moeten van beneden naar boven worden gezaagd om te voorkomen dat de zaagketting of geleider bekneld raakt.

## Stam in stukken zagen



**OPGELET:** Zorg dat de zaagketting niet in aanraking komt met de grond.

- Als de stam over de gehele lengte wordt ondersteund, zaagt u vanaf de bovenzijde van de stam (dit wordt ook wel 'overbucking' of overzagen genoemd).(Fig. 58 )
- Als de stam aan één uiteinde wordt ondersteund, maakt u vanaf de onderzijde een snede met een diepte van één derde van de stamdikte (dit wordt ook wel 'underbucking' of onderzagen genoemd).(Fig. 59 )
- Als de stam aan beide uiteinden wordt ondersteund, maakt u vanaf de bovenzijde een snede met een diepte van één derde van de stamdikte. Voltooi de snede vanaf de onderzijde en zaag het onderste twee derde deel van de stam totdat u uitkomt bij de eerste zaagsnede.(Fig. 60 )
- Als u de stam op een helling zaagt, moet u altijd op het hogerliggende terrein blijven. Zaag de boomstam door terwijl u het product volledig onder controle houdt. Verminder de zaagdruk als u de snede bijna hebt voltooid en houd de achterste en voorste handgreep stevig vast.(Fig. 61 )

---

## ONDERHOUD

---



**WAARSCHUWING:** Lees en begrijp het hoofdstuk over veiligheid voordat u gaat reinigen of reparaties of onderhoud gaat uitvoeren.

### Onderhoudsschema

Houd u aan het onderhoudsschema. De intervallen worden berekend op basis van het dagelijks gebruik van het product. De intervallen wijken af als u het product niet dagelijks gebruikt. Voer alleen onderhoudswerkzaamheden uit die in deze handleiding worden beschreven. Neem voor overige onderhoudswerkzaamheden die niet in deze handleiding worden beschreven contact op met een erkend servicepunt.

### Dagelijks onderhoud

- Reinig de externe oppervlakken.
  - Controleer of de vergrendeling en gashendel correct werken.
  - Reinig de kettingrem en controleer de remfunctie.
- (Fig. 62 )
- Controleer de kettingvanger op schade. Vervang de kettingvanger als deze beschadigd is.

(Fig. 63 )

- Draai de geleider dagelijks, zodat gelijkmatige slijtage ontstaat.
- Controleer of de smeeroening in de geleider niet is verstopt.

(Fig. 64 )

- Reinig de groef van de geleider.

(Fig. 65 )

- Controleer of er voldoende olie wordt toegevoerd naar de geleider en zaagketting.
- Controleer de zaagketting:
  - op scheuren in klinknagels en schakels.
  - op abnormale slijtage van klinknagels en schakels.
  - op de juiste spanning.

Vervang zo nodig de zaagketting.

- Slijp de zaagketting. Zie *Zaagketting slijpen op pagina 252*.
- Controleer het kettingwiel op abnormale slijtage, vervang indien nodig.

(Fig. 66 )

- Reinig de luchtinlaat van de startmotor.
- Controleer of de moeren en schroeven goed zijn vastgedraaid.
- Controleer of de stopschakelaar correct werkt.
- Controleer de motor, tank en brandstofleidingen op brandstoflekken.
- Zorg dat de zaagketting niet draait wanneer de motor stationair draait.

## Wekelijks onderhoud

- Controleer of het koelsysteem correct werkt.
- Controleer of de startmotor, het startkoord en de terugtrekker correct werken.
- Controleer of de onderdelen van de trillingsdemper niet zijn beschadigd.

(Fig. 67 )

- Verwijder eventuele bramen op de randen van de geleider met een vijl.
- Reinig of vervang het vonkenscherm op de geluiddemper.

(Fig. 68 )

- Reinig de externe oppervlakken van de carburateur en de aangrenzende oppervlakken.
- Reinig het luchtfilter. Breng een nieuw luchtfilter aan als het beschadigd is of te vuil is om het volledig te kunnen reinigen. Zie *Het luchtfilter schoonmaken op pagina 252* voor meer informatie.

## Maandelijks onderhoud

- Controleer de remvoering van de kettingrem op slijtage. Vervang de remvoering als deze op het meest versleten punt minder dan 0,6 mm (0,024 inch) dik is.

(Fig. 69 )

- Controleer het middenstuk van de koppeling, de koppelingstrommel en de koppelingsveer op slijtage.
- Bougie reinigen. Controleer of de afstand tussen de elektroden juist is.

(Fig. 70 )

- Reinig de externe oppervlakken van de carburateur en de aangrenzende oppervlakken.
- Controleer het brandstoffilter en de brandstofslang. Vervang indien nodig.
- Leeg de brandstoftank.
- Leeg de olietank.
- Controleer alle kabels en aansluitingen.

## Jaarlijks onderhoud

- Controleer de bougie.
- Reinig de externe oppervlakken van de carburateur en de aangrenzende oppervlakken.
- Reinig het koelsysteem.
- Controleer het vonkenscherm.
- Controleer het brandstoffilter.
- Controleer de brandstofslang op schade.
- Controleer alle kabels en aansluitingen.

## Incidenteel onderhoud

- Laat de geluiddemper na 50 bedrijfsuren repareren of vervangen door een erkend servicecentrum.
- Voer onderhoud aan de bougie uit als:
  - het vermogensniveau van de motor te laag is.
  - de motor moeilijk kan worden gestart.
  - de motor niet naar behoren werkt bij stationair toerental.
- Controleer de smering van de zaagketting telkens wanneer u brandstof bijvult. Zie *Smering van de zaagketting controleren op pagina 253*.

## Stationair toerental afstellen

Zorg dat het luchtfilter schoon is en dat het luchtfilterdeksel is aangebracht voordat het stationaire toerental wordt afgesteld.

1. Draai de stelschroef voor stationair draaien, die is gemarkeerd met een 'T', rechtsom totdat de zaagketting begint te draaien.
2. Draai de stelschroef voor stationair draaien, die is gemarkeerd met een 'T', linksom totdat de zaagketting stopt.
3. Het stationaire toerental moet lager zijn dan het toerental waarbij de zaagketting gaat draaien. Het stationaire toerental is juist wanneer de motor in alle standen soepel draait.

## Vonkenscherm reinigen

1. Gebruik een staalborstel om het vonkenscherm te reinigen.

## Onderhoud uitvoeren aan de bougie



**OPGELET:** Gebruik de aanbevolen bougie. Zorg dat het vervangende onderdeel identiek is aan het onderdeel dat door de fabrikant wordt geleverd. Een onjuiste

bougie kan leiden tot schade aan het product.

1. Als het apparaat niet soepel start of draait, controleert u de bougie op de aanwezigheid van ongewenst materiaal. Om het risico van ongewenst materiaal op de elektroden van de bougie te beperken:
  - a) zorg dat het stationaire motortoerental correct is afgesteld.
  - b) zorg dat het brandstofmengsel correct is.
  - c) zorg dat het luchtfilter schoon is.
2. Reinig de bougie als deze vuil is. Controleer of de afstand tussen de elektroden juist is.(Fig. 71 )
3. Vervang de bougie indien nodig.

## Het luchtfilter schoonmaken

1. Verwijder het luchtfilterdeksel en verwijder het luchtfilter.
2. Reinig het luchtfilter met een warm sopje van water en zeep. Zorg dat het luchtfilter droog is wanneer u dit aanbrengt.
3. Vervang het luchtfilter als het zo vuil is dat het niet meer volledig kan worden gereinigd. Vervang een beschadigd luchtfilter altijd.

## Zaagketting slijpen

### De snijder

De zagnende delen van een zaagketting worden zaagschakels genoemd en bestaan uit een snijtand (A) en een dieptestellernok (B). De snijdiepte van de snijder wordt bepaald door het hoogteverschil tussen deze beide punten, oftewel de instelling van de dieptesteller (C).

(Fig. 72 )

Bij het slijpen van snijtanden moet u rekening houden met vier belangrijke factoren:

- Vijlhoek.

(Fig. 73 )

- Snijhoek.

(Fig. 74 )

- Vijlpositie.

(Fig. 75 )

- Diameter van de ronde vijl.

(Fig. 76 )

### Snijtanden slijpen

Gebruik voor het slijpen van de snijtanden een ronde vijl en een vijlmal. Zie *Zaagkettingvijl en zaagkettingcombinaties op pagina 255* voor informatie over de aanbevolen breedte van de vijl en de vijlmal voor de zaagketting die op uw apparaat is aangebracht.

1. Zorg ervoor dat de zaagketting correct is gespannen. Een slappe ketting kan zijwaarts bewegen, waardoor hij moeilijker op de juiste manier geslepen kan worden.
2. Vijl alle tanden eerst aan de ene kant. Vijl de snijtanden vanaf de binnenkant en oefen minder druk uit tijdens het terughalen van de vijl.
3. Draai het product om en vijl de tanden aan de andere kant.
4. Vijl zo dat alle tanden even lang zijn. Wanneer de lengte van de snijtand slechts 4 mm (5/32") bedraagt, is de zaagketting versleten en moet deze vervangen worden.(Fig. 77 )

## Hoogte van de dieptesteller aanpassen

Slijp de snijtanden voordat u de instelling van de dieptesteller aanpast. Zie *Snijtanden slijpen op pagina 252*. Wanneer u de zaagtanden (A) slijpt, neemt de instelling van de dieptesteller (C) af. Om de maximum zaagcapaciteit te behouden, moet de dieptestellernok (B) verlaagd worden tot de aanbevolen hoogte. Zie *Zaagkettingvijl en zaagkettingcombinaties op pagina 255* voor de juiste instelling van de dieptesteller voor uw specifieke ketting.

(Fig. 78 )

(Fig. 79 )

**Let op:** Bij deze aanbeveling wordt ervan uitgegaan dat de lengte van de snijtanden niet abnormaal afgevlind werd.

Gebruik een platte vijl en een vijlmal om de hoogte van de dieptesteller aan te passen.

1. Plaats de vijlmal op de zaagketting. Gedetailleerde informatie over het gebruik van de vijlmal staat op de verpakking van de vijlmal.
2. Gebruik de platte vijl om het overschot van het deel van de dieptestellernok dat onder de mal uitkomt, weg te vijlen. De snijdiepte is correct als u geen weerstand voelt wanneer u de vijl over de mal haalt.

## Zaagketting spannen

**Let op:** Controleer gedurende de inlooperperiode regelmatig de spanning van een nieuwe zaagketting.

1. Draai de geleidermoeren los die het kettingwieldeksel op zijn plaats houden. Gebruik de combinatietang. (Fig. 80 )
2. Draai de geleidermoeren met de hand zo vast mogelijk aan.
3. Til de bovenzijde van de geleider omhoog en rek de zaagketting uit door de kettingspannerschroef aan te draaien. Gebruik de combinatietang. Verhoog de spanning van de zaagketting totdat deze niet meer slap onder de geleider hangt. (Fig. 81 )
4. Draai de geleidermoeren vast met de combinatietang en til tegelijkertijd de punt van de geleider omhoog. (Fig. 82 )

- Controleer of u de zaagketting met de hand soepel kunt draaien en of de ketting niet slap hangt. (Fig. 83)

## Snijuitrusting smeren

### Smering van de zaagketting controleren

Controleer de smering van de kettingsaag telkens wanneer u brandstof bijvult.

- Start het apparaat en laat het draaien op driekwart van het maximale toerental. Richt de neus van de geleider op een lichtgekleurd oppervlak dat zich op een afstand van bijna 20 cm (8 inch) bevindt.
- Na één minuut draaien is op het lichtgekleurde oppervlak een oliestreek zichtbaar.

- Als de oliestreek na één minuut niet zichtbaar is, reinigt u het oliekanal in de geleider. Reinig de groef in de rand van de geleider. Controleer of het kettingswiel in de neus van de geleider vrij draait en of de smeeroening niet is verstopt. Reinig en smeer het neuskettingswiel.
- Start het apparaat en laat het draaien op driekwart van het maximale toerental. Richt de neus van de geleider op een lichtgekleurd oppervlak dat zich op een afstand van bijna 20 cm (8 inch) bevindt.
- Na één minuut draaien is op het lichtgekleurde oppervlak een oliestreek zichtbaar.
- Als de oliestreek na één minuut niet zichtbaar is, neemt u contact op met uw erkende dealer.

---

## TRANSPORT

---

- Maak de brandstof- en kettingsolietanks leeg voordat u het apparaat vervoert. Zorg dat de gebruikte vloeistoffen veilig worden afgevoerd.
- Plaats de geleiderkap op de snijuitrusting voordat u het apparaat vervoert. Hierdoor voorkomt u dat iemand per ongeluk de scherpe zaagketting kan aanraken. Een stilstaande zaagketting kan letsel veroorzaken bij uzelf of bij anderen die de scherpe tanden van de zaagketting aanraken.
- Verwijder de kap van de bougie en schakel de kettिंगrem in voordat u het apparaat vervoert.
- Zorg dat het apparaat niet kan bewegen tijdens het vervoer.

---

## OPSLAG

---

- Berg het apparaat altijd veilig op wanneer u het niet gebruikt. Lekkages en dampen uit het apparaat kunnen in aanraking komen met vonken of open vuur van elektrische apparatuur, elektrische gasmaaiers, relais, schakelaars, ketels enzovoort.
- Bewaar brandstof altijd in een goedgekeurde jerrycan.
- Leeg de brandstof- en kettingsolietank wanneer u het apparaat voor langere tijd opslaat. Zorg dat de gebruikte vloeistoffen veilig worden afgevoerd.
- Zorg dat de geleiderkap op de geleider is geplaatst gedurende de opslagperiode. Hierdoor voorkomt u dat iemand per ongeluk de scherpe zaagketting kan aanraken. Een stilstaande zaagketting kan ernstig letsel veroorzaken bij uzelf of bij anderen die de scherpe tanden van de zaagketting aanraken.
- Verwijder de kap van de bougie en schakel de kettिंगrem in voordat u het apparaat opslaat.

---

## TECHNISCHE GEGEVENS

---

	eenheid	120 Mark II (P02138HV)
<b>Motorspecificaties</b>		
Cilinderinhoud	cm <sup>3</sup>	38
Bougie		Champion RCJ7Y
Elektrodenafstand	mm (inch)	0,5 (0,02)
Inhoud brandstoftank	cm <sup>3</sup>	300
Stationair toerental	min <sup>-1</sup>	2800-3200
Vermogen bij 9000 min <sup>-1</sup>	kW	1,4
Emissieduurzaamheidsperiode	h	50

	eenheid	120 Mark II (P02138HV)
<b>Geluids- en trillingsgegevens</b>		
Equivalent trillingsniveau, $a_{hveq}$ voorste handgreep <sup>81</sup>	m/s <sup>2</sup>	4,5
Equivalent trillingsniveau, $a_{hveq}$ achterste handgreep <sup>82</sup>	m/s <sup>2</sup>	6,0
Geluidsvermogeniveau, gegarandeerd ( $L_{WA}$ ) <sup>83</sup>	dB(A)	116
Geluidsvermogeniveau, gemeten <sup>84</sup>	dB(A)	110
Geluidsdrukniveau bij het oor van de gebruiker <sup>85</sup>	dB(A)	95
<b>Productafmetingen</b>		
Gewicht (exclusief snijuitrusting)	kg	4,9
Inhoud olietank	cm <sup>3</sup>	200
<b>Brandstof-/smeersysteem</b>		
Capaciteit oliepomp bij 9000 min <sup>-1</sup>	ml/min	7
Inhoud olietank	cm <sup>3</sup>	200
Type oliepomp		Automatisch
<b>Zaagketting en geleider</b>		
Standaardlengte geleider	cm (inch)	35-40 (14-16)
Aanbevolen geleiderlengtes	cm (inch)	35-45 (14-18)
Bruikbare zaaglengte	cm (inch)	34-39 (13,5 -15,5)
Maximale zaagkettingsnelheid	m/s	22,3
Kettingsteek	mm (inch)	8,3 (0,325)
		9,52 (3/8)
Dikte van aandrijfschakels (kaliber)	mm (inch)	1,3 (0,05)
Type kettingaandrijf wiel		Tandwiel
Aantal tanden op kettingaandrijf wiel		6 (kettingaandrijf wiel 3/8)
		7 (kettingaandrijf wiel 0,325)

<sup>81</sup> Het equivalente trillingsniveau, volgens ISO 22867, wordt berekend als de totale tijdgewogen energie van de trillingsniveaus onder verschillende bedrijfsomstandigheden. De gerapporteerde gegevens voor een vergelijkbaar trillingsniveau vertonen een typische statistische spreiding (standaardafwijking) van 1 m/s<sup>2</sup>.

<sup>82</sup> Het equivalente trillingsniveau, volgens ISO 22867, wordt berekend als de totale tijdgewogen energie van de trillingsniveaus onder verschillende bedrijfsomstandigheden. De gerapporteerde gegevens voor een vergelijkbaar trillingsniveau vertonen een typische statistische spreiding (standaardafwijking) van 1 m/s<sup>2</sup>.

<sup>83</sup> Geluidsemissie naar de omgeving, gemeten als geluidsvermogen ( $L_{WA}$ ).

<sup>84</sup> Geluidsemissie naar de omgeving, gemeten als geluidsvermogen ( $L_{WA}$ ).

<sup>85</sup> Het equivalente geluidsdrukniveau wordt berekend als de tijdgewogen energiesom van de geluidsdruk niveaus onder verschillende werkomstandigheden. Een typische statistische spreiding voor een vergelijkbaar geluidsdrukniveau is een standaardafwijking van 1 dB(A).

## ACCESSOIRES

### Combinaties van geleiders en zaagkettingen

De onderstaande snijuitrustingen zijn goedgekeurd voor het product.

Geleider				Zaagketting	
Lengte, cm (inch)	Kettingsteek, mm (inch)	Maat, mm (inch)	Max. kopradius	Type	Lengte, aandrijfschakels (stuks)
33 (13)	8,25 (0,325)	1,3 (0,050)	10T	Husqvarna H30	56
38 (15)	8,25 (0,325)				64
35 (14)	9,52 (3/8)		7T	Husqvarna H37	52
40 (16)	9,52 (3/8)				56
45 (18)	9,52 (3/8)				62

### Zaagkettingvijl en zaagkettingcombinaties

Zaagketting					
Kettingtype	Afmeting van ronde vijl	Hoek zijplaat	Hoek bovenplaat	Vijlhoek	Positie dieptes-teller
H30	3/16 inch / 4,8 mm	60°	30°	10°	0,025 inch / 0,65 mm
H37	5/32 inch / 4,0 mm	60°	30°	0°	0,025 inch / 0,65 mm

## INHOUD VAN DE EG-VERKLARING VAN OVEREENSTEMMING

Wij, Husqvarna AB, SE 561 82 Huskvarna, ZWEDEN, verklaren onder onze alleenverantwoordelijkheid dat het gerepresenteerde product:

Beschrijving	Kettingzaag op benzine
Merk	Husqvarna
Platform / Type / Model	Platform P02138HV, vertegenwoordigend model 120 Mark II
Partij	Serienummer vanaf 2018 en verder

Richtlijn/Verordening	Beschrijving
2006/42/EG	"betreffende machines"
2014/30/EU	"betreffende elektromagnetische compatibiliteit"
2000/14/EG	"betreffende geluid buitenshuis"

Toegepaste geharmoniseerde normen en/of technische specificaties zijn als volgt: EN ISO 12100, EN ISO 11681-1, CISPR 12, ISO 14982

In overeenstemming met richtlijn 2000/14/EG, bijlage V, staan de verklaarde geluidswaarden vermeld in de sectie met technische gegevens van deze handleiding

volledig voldoet aan de volgende EU-richtlijnen en -regelgeving:

en in de ondertekende EG-verklaring van  
overeenstemming.

TÜV Rheinland LGA Products GmbH, aangemelde  
instantie voor machines (kennisgeving geschied onder  
0197), Tillystraße 2, 90431 Nürnberg, Duitsland, heeft  
een EG-typeonderzoek verricht volgens 2006/42/EG,  
artikel 12, punt 3b.

Het certificaat van de typekeuring, overeenkomstig  
bijlage IX en zoals bepaald in de ondertekende  
verklaring van overeenstemming, is van toepassing op  
alle productielocaties en landen van herkomst, zoals  
vermeld op het product.

Deze kettingzaag is conform het exemplaar dat een EG-  
typeonderzoek heeft ondergaan.



---

# INNHold

---

INNLEDNING.....	257	TRANSPORT.....	267
SIKKERHET.....	258	LAGRING.....	267
MONTERING.....	261	TEKNISKE DATA.....	267
DRIFT.....	262	TILBEHØR.....	268
VEDLIKEHOLD.....	264	INNHOLEDET I EF-SAMSVARERKLÆRINGEN.....	269

---

## INNLEDNING

---

### Bruksanvisning

Det originale språket i denne bruksanvisningen er engelsk. Bruksanvisninger på andre språk er oversettelser fra engelsk.

### Oversikt

(Fig. 1 )

1. Produkt- og serienummerskilt
2. Gassregulatorsperre
3. Fremre håndtak
4. Sylinderdeksel
5. Kjedebremser med kastbeskyttelse
6. Lyddemper
7. Barkstøtte
8. Nesehjul
9. Høyrehåndsværn
10. Gassregulator
11. Drivhjuldeksel
12. Kjedefanger
13. Kjedestang
14. Sagkjede
15. Starthåndtak
16. Kjedeeoljetank
17. Startapparat
18. Drivstofftank
19. Chokeregulator
20. Bakre håndtak
21. Stoppbryter
22. Justeringsskrue for tomgang
23. Brennstoffpumpe
24. Informasjons- og advarselsetikett
25. Kjedestrammerskrue
26. Sverddeksel
27. Kombinasjonsverktøy
28. Totaktsolje
29. Bruksanvisning (EPA)

### Symboler på produktet

(Fig. 2 ) Advarsel

- (Fig. 3 ) Les denne bruksanvisningen
- Bruk godkjent hodebeskyttelse, hørselsvern og øyevern
- (Fig. 4 )
- (Fig. 5 ) Bruk godkjente vernehansker
- Dette produktet samsvarer med gjeldende EF-direktiver
- (Fig. 6 )
- (Fig. 7 ) Lydeffektnivå
- Kjedebremser, ikke aktivert (venstre).
- (Fig. 8 ) Kjedebremser, aktivert (høyre)
- (Fig. 9 ) Chokeregulator
- (Fig. 10 ) Brennstoffpumpe
- (Fig. 11 ) Drivstoffpåfylling
- (Fig. 12 ) Påfylling av kjedeolje.
- Dette produktet samsvarer med gjeldende EAC-direktiver.
- (Fig. 13 )
- Dette produktet samsvarer med gjeldende ukrainske direktiver.
- (Fig. 14 )
- (Fig. 15 ) Støynivå
- (Fig. 16 ) Hold produktet fast med begge hender.
- (Fig. 17 ) Ikke bruk bare én hånd.
- (Fig. 18 ) Unngå kontakt med tuppen av sverdet.
- (Fig. 19 ) Vær oppmerksom på kast
- Dette produktet samsvarer med gjeldende direktiver angående elektromagnetisk kompatibilitet i Australia og New Zealand.
- (Fig. 20 )

---

**Merk:** Øvrige symboler/klistremerker angitt på produktet gjelder sertifiseringskrav for andre markeder.

---

## Produktansvar

Som nevnt i lovverket om produktansvar er vi ikke ansvarlig for skader som produktet vårt forårsaker, hvis

- produktet er reparert på feil måte

- produktet er reparert med deler som ikke kommer fra produsenten eller som ikke er godkjent av produsenten
- produktet har et tilbehør som ikke kommer fra produsenten eller som ikke er godkjent av produsenten.
- produktet ikke er reparert på et godkjent servicesenter eller av en godkjent aktør

---

# SIKKERHET

---

## Sikkerhetsdefinisjoner

Definisjonene nedenfor angir alvorlighetsgraden for hvert signalord.



**ADVARSEL:** Skade på personer.



**OBS:** Skade på produktet.

---

**Merk:** Denne informasjonen gjør produktet lettere å bruke.

---

## Generelle sikkerhetsinstruksjoner

- Bruk produktet riktig. Personskade eller død er mulige konsekvenser av feil bruk. Produktet må kun brukes til oppgaver angitt i denne bruksanvisningen. Ikke bruk produktet til andre oppgaver.
- Les, forstå og følg instruksjonene i denne bruksanvisningen. Følg symbolene og sikkerhetsinstruksjonene. Personskade, materiell skade eller død er mulige konsekvenser hvis brukeren ikke følger instruksene og symbolene.
- Ikke kast denne bruksanvisningen. Bruk instruksjonene for å montere, bruke og holde produktet i god stand. Følg instruksjonene for riktig montering av tilbehør og tilleggsutstyr. Bruk bare godkjent tilbehør og tilleggsutstyr.
- Ikke bruk et skadet produkt. Følg vedlikeholdsskjemaet. Utfør bare vedlikehold som du finner instruksjoner om i denne bruksanvisningen. Et godkjent servicesenter må gjøre alt annet vedlikeholdsarbeid.
- Denne bruksanvisningen kan ikke dekke alle situasjoner som kan oppstå når du bruker produktet. Vær forsiktig, og bruk sunn fornuft. Ikke bruk produktet eller utfør vedlikehold av produktet hvis du ikke føler deg trygg i situasjonen. Snakk med en produktexperte, forhandleren, serviceverkstedet eller et godkjent servicesenter for mer informasjon.
- Koble fra tennpluggkabelen før du monterer produktet, setter produktet til oppbevaring eller utfører vedlikehold.

- Ikke bruk produktet hvis det er endret fra den opprinnelige spesifikasjonen. Ikke bytt en del av produktet uten godkjenning fra produsenten. Bruk bare reservedeler som er godkjent av produsenten. Personskade eller død er mulige konsekvenser av feil vedlikehold.
- Ikke pust inn avgassene fra motoren. Å puste inn motorens avgasser, kjedeeoljetåke og sagspon i en lengre periode kan utgjøre en helsefare.
- Ikke start produktet innendørs eller i nærheten av brennbare materialer. Eksosen er varm og kan inneholde gnister som kan starte en brann. Uten tilstrekkelig lufttilførsel kan personskade eller død oppstå som et resultat av kveling eller karbonmonoksid.
- Dette produktet danner et elektromagnetisk felt når det er i bruk. Det elektromagnetiske feltet kan føre til skader på medisinske implantater. Snakk med legen din og produsenten av det medisinske implantatet før du bruker produktet.
- Ikke la barn bruke produktet.
- Ikke la en person bruke produktet uten kunnskap om instruksjonene.
- Overvåk alltid personer med redusert fysisk eller mental kapasitet når de bruker produktet. En ansvarlig voksen må alltid være til stede.
- Lås inn produktet et sted som barn og uautoriserte personer ikke har tilgang til.
- Produktet kan kaste ut løse gjenstander og forårsake personskade. Følg instruksjonene for å redusere faren for personskade eller død.
- Ikke forlat produktet når motoren er på. Stopp motoren, og forsikre deg om at kjedet ikke roterer.
- Brukeren av produktet er ansvarlig hvis det skjer en ulykke.
- Pass på at delene ikke er skadet, før du bruker produktet.
- Se nasjonale eller lokale lover. De kan forby eller begrense bruken av produktet under enkelte forhold.

## Sikkerhetsinstruksjoner for drift

- Kontinuerlig eller regelmessig bruk av produktet kan forårsake syndromet «hvite fingre» eller tilsvarende medisinske problemer fra vibrasjoner. Vær oppmerksom på tilstanden til hendene og fingrene dine hvis du bruker produktet kontinuerlig eller regelmessig. Hvis hendene eller fingrene er

misfarget, eller hvis du kjenner smerte, kribling eller nummenhet, må du avbryte arbeidet og umiddelbart ta kontakt med en lege.

- Kontroller at produktet er ferdig montert før du bruker det.
- Produktet kan kaste ut objekter, noe som kan føre til skader på øynene. Bruk alltid et godkjent øyevern når du bruker produktet.
- Vær forsiktig, et barn kan komme nær produktet under drift uten at du er klar over det.
- Bruk ikke produktet dersom det finnes andre personer i arbeidsområdet. Slå av produktet hvis en person går inn i arbeidsområdet.

(Fig. 21 )

- Pass på at du alltid har kontroll over produktet.
- Produktet må brukes med to hender. Bruk aldri produktet med én hånd. Alvorlig personskaade på føreren, arbeidere, tilskuere eller en kombinasjon av disse personene kan være et resultat av bruk med én hånd.
- Hold det fremre håndtaket med venstre hånd og det bakre håndtaket med høyre hånd. Hold produktet på høyre side av kroppen.

(Fig. 22 )

- Ikke bruk dette produktet dersom du er trett eller syk eller under påvirkning av alkohol eller andre rusmidler.
- Ikke bruk produktet hvis du ikke kan motta hjelp hvis det skjer en ulykke. Gjør andre oppmerksom på at du skal bruke produktet før du starter produktet.
- Ikke snu deg med produktet før du forsikrer deg om at ingen personer eller dyr er innenfor sikkerhetsområdet.
- Fjern alt uønsket materiale fra arbeidsområdet før du begynner. Hvis kjedet treffer et objekt, kan objektet bli kastet ut og forårsake personskaade eller materiell skade. Uønsket materiale kan tvinne seg rundt kjedet og forårsake skade.
- Ikke bruk produktet i dårlig vær, for eksempel tåke, regn, sterk vind, ved fare for lyn eller annet uvær. Farlige forhold, for eksempel glatte overflater, kan oppstå på grunn av dårlig vær.
- Sørg for at du kan bevege deg fritt og arbeide i en stabil stilling.
- Pass på at du ikke risikerer å falle når du bruker produktet. Ikke len deg til siden når du bruker produktet.
- Hold alltid produktet med to hender. Hold det fremre håndtaket med venstre hånd og det bakre håndtaket med høyre hånd. Hold produktet på høyre side av kroppen.
- Hvis chokkehendelen står i choke-stilling når motoren starter, begynner kjedet å rotere.
- Stopp motoren før du flytter produktet.
- Ikke legg produktet ned mens motoren er på.
- Før du fjerner uønsket materiale fra produktet, må du stoppe motoren. Vent til kjedet stopper før du eller andre fjerner avklipt materiale.

- Ikke bruk dette produktet i et tre. Bruk av produktet oppe i et tre kan føre til personskaade.

(Fig. 23 )

- Kjedebremesen må være satt på når produktet startes for å redusere faren for at sagkjedet treffer deg under oppstart.

(Fig. 24 )

- Unngå kast, sprett, hopp og fall, som kan resultere i alvorlig skade.
- Følg alle sikkerhetsregler for å bidra til å unngå kast og andre krefter som kan resultere i alvorlig personskaade.
- Juster sagkjedestrammingen regelmessig for å sikre at kjedet ikke er slakt. Et for slakt sagkjede kan føre til at kjedet hopper av og forårsaker alvorlig skade eller død.
- Ikke fell trær med feil fremgangsmåte. Dette kan føre til skade på personer eller eiendom, eller at treet treffer en forsyningsledning.
- Brukeren må stå på oversiden i et hellende terreng siden det er sannsynlig at treet vil rulle eller skli nedoverbakke etter at det felles.

(Fig. 25 )

- Planlegg og rydd en rømningsvei før du begynner å kutte. Rømningsbanen skal gå diagonalt bakover på linje med den forventede fallretningen.

(Fig. 26 )

- Stopp alltid motoren før du flytter produktet mellom trærne.
- Sørg for at du plasserer føttene godt i bakken og fordeler vekten jevnt.

(Fig. 27 )

- Sørg for at du alltid står støtt, og bruk produktet bare mens du står på fast, sikkert og flatt underlag. Glatte eller ustabile underlag, slik som stiger, kan føre til at du mister balansen eller kontrollen.

(Fig. 28 )

## Kast, sprett, hopp og fall

Forskjellige krefter kan ha innvirkning på den sikre bruken av produktet.

- **Sprett** er når sverdet gliir eller beveger seg raskt på tvers av treet.
- **Hopp** er når sverdet løfter seg fra treet og berører det igjen og igjen.
- **Fall** er når produktet faller ned etter kuttet. Dette kan føre til at kjedet treffer en del av kroppen eller andre gjenstander, noe som kan forårsake skade.
- **Kast** er når enden av sverdet berører objekter og beveger seg bakover, oppover eller plutselig fremover. Kast skjer også når treverket klemmer på sagkjedet under kuttingen. Tap av kontroll kan forekomme hvis produktet treffer en gjenstand i treet.

(Fig. 29 )

- **Roterende kast** kan oppstå når kjedet er i bevegelse og kommer i kontakt med en gjenstand på toppen av sverdet. Dette kan føre til at kjedet graver seg ned i gjenstanden og stopper umiddelbart. Resultatet er en svært rask reverserende bevegelse som beveger sverdet oppover og bakover i retning av brukeren.

(Fig. 30 )  
(Fig. 31 )

- **Klemkast** kan skje når sagkjedet stopper plutselig under kuttingen. Treverket klemmer seg sammen og blokkerer sagkjedet langs toppen av sverdet. En kjede som plutselig stopper reverserer kjedet slik at produktet beveger seg i motsatt retning av omdreiningen til kjedet. Produktet beveger seg bakover i retning av brukeren.

(Fig. 32 )

- **Inntrekking** kan skje når sagkjedet plutselig stopper mens det er i bevegelse når det treffer en gjenstand i treverket langs undersiden av sverdet. En plutselig stopp trekker produktet forover og vekk fra brukeren, noe som kan lett føre til at brukeren mister kontrollen over produktet.

(Fig. 33 )

Sørg for at du forstår de forskjellige kreftene og hvordan du unngår dem før du bruker produktet.

## Unngå kast, sprett, hopp og fall

- Hold godt i produktet mens motoren går. Hold høyre hånd på det bakre håndtaket og venstre hånd på det fremre håndtaket. Hold tomlene og fingrene godt rundt håndtakene. Ikke slipp.
- Hold øye med produktet under kutting og etter at treverket har falt ned på bakken. Pass på at vekten til produktet ikke gjør at det beveger seg nedover etter kuttet.(Fig. 34 )
- Kontroller at området der du skal kutte er fritt for blokkeringer. Ikke la tuppen av sverdet berøre stokker, grener eller andre blokkeringer mens du bruker produktet.
- Kutt ved høyt turtall.
- Unngå å strekke deg for å øke rekkevidden eller sage over skulderhøyde.(Fig. 35 )
- Følg produsentens instruksjoner for filing og vedlikehold av sagkjedet.
- Bruk bare sverd og sagkjeder som er spesifisert av produsenten.
- For stor understilling øker sagkjedets risiko for kast.

## Personlig verneutstyr

- Bruk alltid egnet personlig verneutstyr når du bruker produktet. Det personlige verneutstyret fjerner ikke risikoen for skader. Det personlige verneutstyret reduserer skadeomfanget hvis det skjer en ulykke.
- Klærne bør ellers være ettersittende uten å begrense bevegelsesfriheten.

- Bruk godkjent vernehjelm.
- Bruk alltid godkjent hørselsvern når du bruker produktet. Støy over en lang periode kan forårsake hørselsskade.
- Bruk vernebriller eller ansiktsvisir for å redusere risikoen for skader fra gjenstander som slynges ut. Produktet kan slynge gjenstander som sagspon, små trebiter osv. med stor kraft. Dette kan forårsake alvorlig skade, spesielt på øynene.
- Bruk hansker med motorsagbeskyttelse.
- Bruk bukser med motorsagbeskyttelse.
- Bruk støvler med motorsagbeskyttelse, ståttupp og sklisikker såle.
- Sørg for at du har et førstehjelpssett i nærheten.
- Det kan komme gnister fra lydtemperen, sverdet og sagkjedet eller annen kilde. Ha alltid brannslukningsapparat og en spade tilgjengelig for å bidra til å forhindre skogbrann.

## Beskyttelsesutstyr på produktet

- Pass på at du regelmessig utfører vedlikehold av produktet.
  - Levetiden til produktet øker.
  - Risikoen for ulykker reduseres.

La en godkjent forhandler eller et godkjent servicesenter undersøke produktet regelmessig for å gjøre justeringer eller reparasjoner.

- Ikke bruk et produkt med skadet verneutstyr. Hvis produktet er skadet, må du kontakte et godkjent servicesenter.

## Stoppbryter

Start motoren. Forsikre deg om at motoren stopper når du flytter stoppbryteren til stoppstillingen.

## Undersøke gassregulatorsperren

1. Kontroller at gassregulatoren (B) er låst på tomgang når du slipper gassregulatorsperren (A).(Fig. 36 )
2. Skyv gassregulatorsperren (A) og kontroller at den går tilbake til utgangsstillingen når du slipper den.
3. Skyv gassregulatoren (B) og kontroller at den går tilbake til utgangsstillingen når du slipper den.
4. Start motoren, og gi deretter full gass.
5. Slipp gassregulatoren og undersøk om skjæreutstyret stanser.
6. Hvis sagkjedet roterer når motoren går på tomgang, må du undersøke tomgangsskruen til forgasseren.

## Beskyttelse

Beskyttelsen forhindrer at gjenstander slynges i retning av brukeren. Beskyttelsen forhindrer også utilsikket berøring mellom brukeren og sagkjedet.

- Kontroller at beskyttelsen er tillatt for bruk i kombinasjon med produktet.

- Ikke bruk produktet uten beskyttelsen.
- Kontroller at beskyttelsen er uskadet. Skift beskyttelsen hvis den er slitt eller har sprekker.

## Brennstoffsikkerhet

- Ikke start produktet hvis det er drivstoff eller motorolje på produktet. Fjern uønsket drivstoff/olje, og la produktet tørke. Fjern uønsket drivstoff fra produktet.
- Skift klær umiddelbart hvis du søler drivstoff på klærne.
- Ikke få drivstoff på kroppen, det kan føre til personskade. Bruk såpe og vann for å fjerne drivstoff hvis du får drivstoff på kroppen.
- Ikke start motoren hvis du søler olje eller drivstoff på produktet eller på kroppen din.
- Ikke start produktet hvis motoren lekket. Kontroller motoren for lekkasjer med jevne mellomrom.
- Vær forsiktig med drivstoff. Drivstoff er brannfarlig, og avgassene er eksplosive og kan forårsake personskade eller død.
- Ikke pust inn bensindamp, det kan føre til personskade. Pass på at det er tilstrekkelig luftstrøm.
- Du må ikke røyke i nærheten av drivstoff eller motoren.
- Ikke sett varme gjenstander i nærheten av drivstoff eller motoren.
- Ikke fyll på drivstoff når motoren er på.
- Kontroller at motoren er avkjølt før du fyller på drivstoff.
- Åpne tanklokket sakte og slipp ut trykket forsiktig før du fyller.
- Ikke fyll drivstoff på motoren innendørs. Utilstrekkelig luftstrøm kan føre til personskade eller død på grunn av kveling eller karbonmonoksidforgiftning.
- Trekk til lokket på drivstofftanken forsiktig. Brann kan oppstå hvis du ikke gjør dette.
- Flytt produktet minst 3 m fra stedet du fylte tanken før du starter det.
- Ikke fyll for mye drivstoff på tanken.
- Kontroller at det ikke oppstår lekkasjer når du flytter produktet eller bensinkanen.
- Ikke plasser produktet eller en drivstoffbeholder i nærheten av åpen flamme, gnister eller pilotflamme. Pass på at det ikke er åpen flamme i oppbevaringsområdet.

- Bruk bare godkjente beholdere når du flytter drivstoff eller setter drivstoff til oppbevaring.
- Tøm drivstofftanken for lengre tids oppbevaring. Følg lokale lover om hvor du kan kassere drivstoff.
- Rengjør produktet for lengre tids oppbevaring.
- Fjern tennpluggkabelen før du setter produktet til oppbevaring for å sikre at motoren ikke starter ved et uhell.

## Sikkerhetsinstruksjoner for vedlikehold

- Koble fra tennpluggkabelen før du utfører vedlikehold på produktet, ikke inkludert justering av forgasseren.
- Få all produktservice utført av en godkjent forhandler, ikke inkludert oppgaver i *VEDLIKEHOLD på side 264*.
- Forsikre deg om at sagkjedet stopper når du slipper gassregulatoren.
- Hold håndtakene tørre, rene og frie for olje og drivstoff.
- Hold hetter og festeanordninger riktig strammet.
- Utskifting av komponenter som ikke er godkjent eller fjerning av sikkerhetsutstyr kan føre til skade på produktet. Dette kan også forårsake personskade på brukeren eller personer i nærheten. Bruk bare reservedeler og tilleggsutstyr som er anbefalt. Ikke foreta endringer av produktet.
- Hold sagkjedet skarpt og rent for sikker og høy ytelse.
- Følg instruksjonene for smøring og utskifting av tilbehør.
- Kontroller produktet for skadde deler. Før du bruker produktet mer må du kontrollere at skadet beskyttelse eller del fungerer korrekt. Kontroller for ødelagte eller feilplasserte deler og deler som ikke beveger seg fritt. Kontroller for andre forhold som kan ha innvirkning på driften av produktet. Pass på at produktet er riktig montert. En beskyttelse eller andre skadde dele må repareres eller skiftes av en godkjent forhandler med mindre noe annet er skrevet i bruksanvisningen.
- Oppbevar produktet på et tørt, høyt eller låst område som er utilgjengelig for barn når det ikke er i bruk.
- Bruk et sverddeksel eller en veske til å flytte produktet under transport eller oppbevaring.
- Ikke bruk spillolje. Spillolje kan være farlig for deg og kan forårsake skade på produktet og miljøet.

---

## MONTERING

---



**ADVARSEL:** Les og forstå kapittelet om sikkerhet før du monterer produktet.

---

### Montere sverdet og sagkjedet

1. Skyv kastbeskyttelsen i retning av det fremre håndtaket for å koble ut kjedebremsen.
2. Fold knotten ut til åpen posisjon. (Fig. 37 )
3. Drei knotten mot urviseren for å løsne sverddekselet. (Fig. 38 )

4. Fjern knotten (A) og drivhjuldekslet. Ta av transportbeskyttelsen hvis den er montert. (Fig. 39)
5. Plasser sverdet over sverdboltene. Sett sverdet til den bakerste stillingen. Plasser kjedet over drivhjulet, og sett det i sverdsporet. Begynn på oversiden av sverdet. (Fig. 40)
6. Kontroller at eggen på tannlenkene er vendt forover på oversiden av sverdet.
7. Monter drivhjuldekslet og styr kjedestrammertappen i hullet i sverdet. Kontroller at drivlenkene til kjedet sitter riktig på drivhjulet. Pass også på at sagkjedet sitter riktig i sporet i sverdet. (Fig. 41)
8. Stram sagkjedet ved å dreie hjulet nedover (+). Stram kjedet til det ikke er slakk på undersiden av sverdet. (Fig. 42)
9. Sagkjedet er tilstrekkelig stramt når det ikke henger ned under sverdet, men du kan enkelt vri det for hånd.
10. Hold oppe sverdspissen, og vri knotten med klokken for å stramme. (Fig. 43)
  - Undersøk kjedestrammingen jevnlig etter at du har montert et nytt sagkjede og inntil kjedet har blitt kjørt inn.

- Undersøk sagkjedespenningen regelmessig. Riktig stramming gir god ytelse og lang levetid.

## Tilbakestill kjedebremsen

Hvis kopplingsdekslet fjernes ved et uhell mens kjedebremsen er låst, må kjedebremsen frigjøres slik at kopplingsdekslet kan monteres uten binding til koplingsstrømmelen.



**OBS:** Kjedebremsen står i spenn. Vær forsiktig når du tilbakestiller kjedebremsen.

**Merk:** Ikke hold bremsebåndet mens du prøver å tilbakestille det.

1. Still inn hakkene på sverdverktøyet slik at det passer over bremsens rotasjonsaksel. (Fig. 44)
2. For å tilbakestille bremsen dreier du akselen med klokken til den stopper. Den fremre akselen blir stående i den nedadvendte, roterte posisjonen når kjedebremsen er frigjort. (Fig. 45) (Fig. 46)

## DRIFT



**ADVARSEL:** Les og forstå kapittelet om sikkerhet før du bruker produktet.

### Bruke drivstoff



**OBS:** Dette produktet har en totaktsmotor. Bruk en blanding av bensin og totaktsmotorolje. Pass på å bruke riktig mengde olje i blandingen. Feil forhold mellom bensin og olje kan føre til skade på motoren.

### Drivstoffblandingsforhold

Blandingsforholdet for bensinen og totaktsmotoroljen er 50:1 (2 %)

Bensin	Totaktsmotorolje
1 US gallon	77 ml
1 UK gallon	95 ml
5 l	100 ml

### Blande drivstoffet

1. Fastslå riktig mengde med bensin og motorolje (blandingsforhold 50:1). Ikke lag drivstoffblanding for mer enn 30 dager. Se *Bruke drivstoff på side 262*.

2. Tilsett halvparten av bensinmengden i en ren bensinkanne med overfyllingsbeskyttelse.



**OBS:** Ikke bruk bensin med mer enn 10 % etanolkonsentrasjon (E10). Dette kan skade produktet.



**OBS:** Ikke bruk bensin med et oktantal som er mindre enn 90 RON (87 AKI). Dette kan skade produktet.

**Merk:** Bruk bensin med høyere oktantal hvis du ofte bruker produktet ved kontinuerlig høyt motorturtall.

3. Tilsett all totaktsmotoroljen i bensinkanen.



**OBS:** Bruk alltid luftkjølt totaktsmotorolje av høy kvalitet. Annen olje kan skade produktet.

4. Rist drivstoffblandingen for å blande innholdet.
5. Tilsett resten av bensinen i bensinkanen.
6. Rist drivstoffblandingen for å blande innholdet.
7. Tilsett drivstoffblandingen i drivstofftanken til produktet. Se *Bruke drivstoff på side 262*.

### Fylle drivstofftanken

1. Pass på at drivstoffblandingen er riktig og at drivstoffblandingen er i en bensinkanne med overfyllingsbeskyttelse.

2. Hvis det er drivstoff i kannen, må du fjerne uønsket drivstoff og la kannen tørke.
3. Pass på at området i nærheten av lokket på drivstofftanken er rent.
4. Fjern lokket på drivstofftanken.
5. Rist drivstoffbeholderen før du fyller drivstoff på tanken.
6. Sett lokket på drivstofftanken.

## Smøre sagkjedet

Produktet har et automatisk smøresystem. Sagkjedeoljetanken og bensintanken er dimensjonert slik at bensinen skal ta slutt før sagkjedeoljen tar slutt. Denne sikkerhetsfunksjonen forutsetter at riktig kjedeolje brukes og at instruksjonene følges.

1. Bruk vegetabilsk sagkjedeolje eller en vanlig sagkjedeolje.
2. Kontroller at området nær hetten på tanken for sagkjedeolje er ren.
3. Ta hetten av tanken for sagkjedeolje.
4. Fyll tanken for sagkjedeolje med anbefalt sagkjedeolje.
5. Sett hetten på tanken for sagkjedeolje.

## Starte og stoppe

### Før du starter motoren

- Undersøk om produktet har manglende, skadde, løse eller slitte deler.
- Undersøk mutrene, skruene og boltene.
- Kontroller luftfilteret.
- Kontroller at gassregulatorsperreren og gassregulatoren fungerer som de skal.
- Undersøk om stoppbryteren fungerer som den skal.
- Kontroller produktet etter drivstofflekkasjer.
- Kontroller sagkjedets skarphet og stramming.

### Starte en kald motor

1. Flytt kastbeskyttelsen forover for å koble inn kjedebremsen. (Fig. 47 )
2. Trykk på primeren 6 ganger. (Fig. 48 )
3. Flytt chokehendelen til full-choke-stillingen. (Fig. 49 )
4. Hold produktet på bakken med venstre hånd. Sett høyre fot i bakre håndtak for å stabilisere motorsagen. Trekk sakte i startsnoren til du kjenner litt motstand. Trekk deretter hardt i startsnoren fem ganger. (Fig. 50 )

**Merk:** Ikke trekk i gassregulatoren mens du starter motoren.

5. Flytt chokehendelen til ingen-choke-stillingen.
6. Trekk i startsnorhåndtaket til motoren starter. Vent 60 sekunder etter start før du trekker i gassregulatoren.



**OBS:** Du må ikke trekke i startsnoren før den stopper. Ikke slipp startsnoren når den er helt ute. Slipp startsnoren langsomt. Følg disse instruksjonene for å unngå skade på motoren.

7. Trekk kastbeskyttelsen i retning av det fremre håndtaket for å koble ut kjedebremsen.
8. Hold det bakre håndtaket med høyre hånd og det fremre håndtaket med venstre hånd.
9. Bruke produktet.

### Starte en varm motor

1. Flytt kastbeskyttelsen forover for å koble inn kjedebremsen.
2. Trykk på primeren 6 ganger.
3. Flytt chokehendelen til full-choke-stillingen.
4. Flytt chokehendelen til ingen-choke-stillingen.
5. Hold produktet på bakken med venstre hånd. Sett høyre fot i bakre håndtak for å stabilisere motorsagen. Trekk sakte i startsnoren til du kjenner litt motstand. Trekk deretter hardt i startsnorhåndtaket til motoren starter. (Fig. 51 )

**Merk:** Ikke trekk i gassregulatoren mens du starter motoren.



**OBS:** Du må ikke trekke i startsnoren før den stopper. Ikke slipp startsnoren når den er helt ute. Slipp startsnoren langsomt. Følg disse instruksjonene for å unngå skade på motoren.

6. Beveg kastbeskyttelsen i retning av det fremre håndtaket for å koble ut kjedebremsen.
7. Hold det bakre håndtaket med høyre hånd og det fremre håndtaket med venstre hånd.
8. Bruke produktet.

### Starte motoren når drivstoffet er for varmt

Hvis produktet ikke starter, kan drivstoffet bli for varmt.

**Merk:** Bruk alltid nytt drivstoff, og reduser driftstiden under varmt vær.

1. Plasser produktet på et kjølig sted vekk fra sollys.
2. La produktet avkjøles i minst 20 minutter.
3. Trykk på drivstoffpumpen igjen og igjen i 10–15 sekunder.
4. Følg prosedyren for å starte en kald motor. Se *Starte en kald motor på side 263*.

### Slik slår du av motoren

- Trykk på stoppbryteren for å stoppe motoren.

---

**Merk:** Stoppbryteren går automatisk tilbake til utgangsstillingen.

---

## Bruke en barkstøtte

Barkstøtten hindrer tilbakeslag og holder treet mens du kutter. Barkstøtten er en dreietapp mellom motorhuset og sverdet.

1. Sett den nedre enden av barkstøtten til korrekt brytekantbredde.
2. Bruk venstre hånd til å trykke mot det fremre håndtaket mens du løfter det bakre håndtaket med høyre hånd.
3. Sag til du oppnår riktig brytekantbredde.

---

**Merk:** Hengslet må ha en lik tykkelse.

---

4. Sag mer enn halvparten av diameteren, og sett deretter fellekilen inn i hovedskåret.

## Felle et tre

1. Fjern jord, steiner, løs bark, spikrer, stifter og stålbitar fra treet.
2. Lag et hakk på 1/3 av diameteren til treet, vinkelrett på motsatt retning av fallretningen.(Fig. 52 )
3. Foreta det nedre vannrette kuttet. Dette forhindrer at sagkjedet eller sverdet havner i klem når det andre kuttet lages.
4. Foreta kuttet for hovedskåret (X) minst 50 mm (2 tommar) høyere enn det vannrette kuttet. Hold kuttet for hovedskåret parallelt med det vannrette kuttet slik at tilstrekkelig treverk er igjen for å fungere som et hengsel. Ikke kutt gjennom helt gjennom. Hengseltreverket forhindrer at treet vrir seg og faller i feil retning.(Fig. 53 )(Fig. 54 )
5. Treet begynner å falle når kuttet for hovedskåret nærmer seg hengselet. Sørg for at treet kan falle i riktig retning og ikke vugger bakover og setter sagkjedet i klem. Stopp kuttet før kuttet for

hovedskåret er fullført for å unngå dette. Bruk kiler av tre, plast eller aluminium for å åpne kuttet, og la treet falle på linje med den ønskede fallretningen. (Fig. 55 )

6. Når treet begynner å falle, fjerner du produktet fra kuttet, stopper motoren, setter produktet ned og bruker deretter den planlagte rømningsveien. Vær oppmerksom på kvister som faller, og pass på fotfestet.(Fig. 56 )

## Kviste et tre

1. Bruk de største greinene til å holde stokken opp fra bakken.
2. Fjern små kvister med ett kutt.(Fig. 57 )
3. Kapp grener som står i spenn fra bunnen til toppen for å hindre at sagkjedet eller sverdet kommer i klem.

## Kabbe en trestokk



**OBS:** Ikke la sagkjedet komme i kontakt med bakken.

- Hvis trestokken har støtte langs hele lengden, kutter du fra toppen av trestokken (kalt overkabbing).(Fig. 58 )
- Hvis trestokken har støtte i den ene enden, kutter du 1/3 av diameteren fra under trestokken (kalt underkabbing).(Fig. 59 )
- Hvis trestokken har støtte i begge endene, kutter du 1/3 av diameteren fra toppen. Fullfør kuttet ved å underkappe de nedre 2/3 av trestokken for å møte det første kuttet.(Fig. 60 )
- Hvis du kabber en trestokk i en helling, må du alltid stå på oversiden av trestokken. Skjær gjennom trestokken mens du opprettholder full kontroll over produktet. Slipp deretter skjæretrykket nær enden av kuttet mens du holder godt fast både på det bakre håndtaket og det fremre håndtaket.(Fig. 61 )

---

## VEDLIKEHOLD

---



**ADVARSEL:** Les og forstå kapittelet om sikkerhet før du rengjør, reparerer eller utfører likehold på produktet.

---

## Vedlikeholdsskjema

Kontroller at du følger vedlikeholdsskjemaet. Intervallene er beregnet med utgangspunkt i daglig bruk av produktet. Intervallene er annerledes hvis du ikke bruker produktet hver dag. Utfør bare vedlikehold som du finner i denne bruksanvisningen. Snakk med et godkjent servicesenter om annet vedlikehold som ikke finnes i denne bruksanvisningen.

## Daglig vedlikehold

- Rengjør de utvendige flatene.
- Kontroller at effektregulatorsperren og effektregulatoren fungerer som de skal.
- Rengjør kjedebremsen, og kontroller at den fungerer som den skal.

(Fig. 62 )

- Se etter skade på kjedefangeren. Bytt kjedefangeren hvis den er skadet.

(Fig. 63 )

- Snu sverdet daglig for jevnere slitasje.
- Kontroller at smørehullet i sverdet ikke er tett.

(Fig. 64 )



- Rengjør sverdsporet.

(Fig. 65)

- Kontroller at sverdet og sagkjedet får nok olje.
- Undersøk sagkjedet:
  - for synlige sprekker i nagler og lenker.
  - for unormalt slitte nagler og lenker.
  - for riktig stramming.
- Skift sagkjedet om nødvendig.
- File sagkjedet. Se *Slipe kjedet på side 266*.
- Kontroller at kjededrivhjulet ikke er unormalt slitt, og skift det ut om nødvendig.

(Fig. 66)

- Rengjør luftinntaket til starteren.
- Kontroller at skruer og mutre er trukket til.
- Kontroller at stoppbryteren fungerer.
- Undersøk motor, tank og drivstoffslanger for drivstofflekkasjer.
- Kontroller at sagkjedet ikke roterer når motoren går på tomgang.

## Ukentlig ettersyn

- Kontroller at kjølesystemet fungerer som det skal.
- Kontroller at starteren, startsnoren og returfjæren fungerer riktig.
- Kontroller at vibrasjonsisolatorene ikke er skadd.

(Fig. 67)

- Fil bort eventuelle grader på sidene av sverdet.
- Rengjør eller skift lydempereens gnistfangernett.

(Fig. 68)

- Rengjør de utvendige flatene på forgasseren og tilstøtende områder.
- Rengjør luftfilteret. Monter et nytt luftfilter hvis det er skadet eller er for skittent til å kunne rengjøres ordentlig. Se *Rengjøre luftfilteret på side 266* for mer informasjon.

## Månedlig ettersyn

- Kontroller bremsebåndet på kjedebremsen med henblikk på slitasje. Skift når bremsebåndtykkelsen er mindre enn 0,6 mm på det mest slitte stedet.

(Fig. 69)

- Kontroller koplingssetteret, koplingstrømmelen og koplingsfjæren for slitasje.
- Rengjør tennpluggen. Kontroller at elektrodeavstanden er riktig.

(Fig. 70)

- Rengjør de utvendige flatene på forgasseren og tilstøtende områder.
- Kontroller drivstoffilteret og drivstoffslangen. Skift om nødvendig.
- Tøm drivstofftanken.
- Tøm drivstofftanken.
- Undersøk alle kabler og forbindelser.

## Årlig vedlikehold

- Kontroller tennpluggen.
- Rengjør de utvendige flatene på forgasseren og tilstøtende områder.
- Rengjør kjølesystemet.
- Kontroller gnistfangerskjermen.
- Kontroller drivstoffilteret.
- Se etter skade på drivstoffslangen.
- Undersøk alle kabler og forbindelser.

## Periodisk vedlikehold

- Få et godkjent servicesenter til å reparere eller skifte ut lydempere etter 50 timers drift.
- Utfør vedlikehold på tennpluggen når:
  - effektivnivået i motoren er lavt.
  - det er vanskelig å starte motoren.
  - motoren ikke fungerer korrekt på tomgang.
- Kontroller sagkjedesmøringen hver gang du fyller drivstoff. Se *Kontrollere sagkjedesmøringen på side 266*.

## Justere tomgangsturtallet

Kontroller at luftfilteret er rent og at luftfilterlokket er festet før du justerer tomgangsturtallet.

1. Drei justeringsskruen for tomgang, som er identifisert med et "T"-merke, med urviseren til sagkjedet begynner å rotere.
2. Drei justeringsskruen for tomgang, som er identifisert med et "T"-merke, mot urviseren til sagkjedet stopper.
3. Tomgangsturtallet må være lavere enn hastigheten når sagkjedet begynner å rotere. Tomgangsturtallet er korrekt når motoren går jevnt i alle stillinger.

## Rengjøre gnistfangerskjermen

1. Bruk en stålborste for å rengjøre gnistfangerskjermen.

## Utføre vedlikehold av tennpluggen



**OBS:** Bruk anbefalt tennplugg. Pass på at den nye delen er av samme type som delen produsenten leverte. Feil tennplugg kan føre til skade på produktet.

1. Se etter uønsket materiale på tennpluggen hvis produktet ikke er lett å starte og betjene. Redusere risikoen for uønsket materiale på tennpluggenes elektroder:
  - a) Pass på at tomgangsturtallet er riktig justert.
  - b) Pass på at drivstoffblandingen er riktig.
  - c) Kontroller at luftfilteret er rent.
2. Rengjør tennpluggen hvis den er skitten. Kontroller at elektrodeavstanden er riktig. (Fig. 71)

3. Skift tennpluggen når det er nødvendig.

## Rengjøre luffilteret

1. Ta av luffilterdekselet og fjern luffilteret.
2. Rengjør luffilteret med varmt såpevann. Sørg for at luffilteret er tørt før du monterer det.
3. Skift luffilteret hvis det er for skittent til å rengjøres ordentlig. Bytt alltid ut skadet luffilter.

## Slipe kjedet

### Kapperen

Den sagende delen av et sagkjede kalles tannlenke og består av en skjærtann (A) og en dybdemåler (B). Skjæredybden avgjøres av høydeavstanden mellom disse. Dette er dybdemålerinnstillingen (C).

(Fig. 72 )

Ved filing av skjæretenner er det fire mål som må tas hensyn til:

- filingsvinkel

(Fig. 73 )

- støtvinkel

(Fig. 74 )

- filstilling

(Fig. 75 )

- rundfildiameter

(Fig. 76 )

### File skjæretennene

Bruk en rundfil og en filmal til å file skjæretennene. Se *Sagkjedets filing og sagkjedekombinasjoner på side 269* for informasjon om anbefalt dimensjon på filen og filmalen for sagkjedet som er montert på produktet.

1. Kontroller at sagkjedet er riktig strammet. For dårlig stramming gjør sagkjedet ustabil i sideretningen, noe som gjør det vanskelig å file korrekt.
2. Fil alle tennene på den ene siden først. Fil skjæretannens innside, og reduser trykket på returbevegelsen.
3. Snu produktet, og fil tennene på den andre siden.
4. Fil slik at alle tennene blir like lange. Når det bare gjenstår 4 mm (5/32") av skjæretennenes lengde, er sagkjedet utslitt og må kastes.(Fig. 77 )

### Justere dybdemålerinnstillingen

Slip skjæretennene før du justerer dybdemålerinnstillingen. Se *File skjæretennene på side 266*. Når du sliper skjæretannen (A), vil dybdemålerinnstillingen (C) reduseres. For at skjærekapasiteten skal være optimal, må dybdemåleren (B) files ned for å oppnå den anbefalte dybdemålerinnstillingen. Se *Sagkjedets filing og*

*sagkjedekombinasjoner på side 269* for å finne korrekt dybdemålerinnstilling for kjedet ditt.

(Fig. 78 )

(Fig. 79 )

---

**Merk:** Denne anbefalingen forutsetter at skjæretennenes lengde ikke er filt unormalt langt ned.

---

Bruk en flat fil og dybdemålerverktøyet til å justere dybdemåleren.

1. Legg dybdemålerverktøyet over sagkjedet. Informasjon om bruk av dybdemålerverktøyet er å finne på emballasjen.
2. Bruk flatfilen for å file vekk overskuddet på den overskytende delen av rytteren. Understillingen er korrekt når det ikke merkes motstand når du drar filen over malen.

### Stramme sagkjedet

---

**Merk:** Kontroller stramningen av et nytt sagkjede ofte under innkjøringsperioden.

---

1. Løsne sverdmutrene som holder drivhjuldekselet. Bruk kombinasjonsverktøyet. (Fig. 80 )
2. Stram sverdmutrene for hånd så hardt du kan.
3. Løft toppen av sverdet og forleng sagkjedet ved å stramme kjedestrammerskruen. Bruk kombinasjonsverktøyet. Stram sagkjedet til det ikke er slakk på undersiden av sverdet. (Fig. 81 )
4. Stram sverdmutrene med kombinasjonsverktøyet samtidig som du løfter toppen av sverdet. (Fig. 82 )
5. Sørg for at du kan trekke sagkjedet fritt rundt for hånd og at det ikke henger ned.(Fig. 83 )

## Smøre skjærestyret

### Kontrollere sagkjedesmøringen

Kontroller sagkjedesmøringen hver gang du fyller drivstoff.

1. Start produktet og la det gå med 3/4 hastighet. Rett sverdspissen mot en overflate med lysere farge i en avstand på ca 20 cm.
2. Etter å ha kjørt sagen i ett minutt vises en linje med olje på den lyse flaten.
3. Hvis du ikke kan se linje med olje etter ett minutt, rengjør du oljekanalene i sverdet. Rengjør sporet i kanten av sverdet. Kontroller at nesehjulet roterer fritt og at det ikke finnes blokkeringer i smørehullet. Rengjør og smør nesehjulet.
4. Start produktet og la det gå med 3/4 hastighet. Rett sverdspissen mot en overflate med lysere farge i en avstand på ca 20 cm.
5. Etter å ha kjørt sagen i ett minutt vises en linje med olje på den lyse flaten.
6. Hvis du ikke kan se linjen med olje etter ett minutt, snakker du med en godkjent forhandler.

---

## TRANSPORT

---

- Tøm drivstoff- og kjedeoljetanken regelmessig. Avhend brukte væsker på riktig måte.
- Sett sverddekselet på skjæreutstyret under transport. Dette hindrer at personer berører det skarpe sagkjedet ved et uhell. Et sagkjede som ikke er i bruk kan føre til skade på deg selv eller andre personer som berører et skarpt sagkjede.
- Fjern hetten på tennpluggen og aktiver kjedebremsen før transport.
- Kontroller at produktet ikke kan bevege seg under transport.

---

## LAGRING

---

- Oppbevar alltid produktet sikkert når det ikke er i bruk. Lekkasje og damper fra produktet kan berøre gnister, åpen flamme fra elektrisk utstyr, elektriske gressklippere, kontakter/strømbrytere, varmekjeler eller mer.
- Oppbevar alltid drivstoff i en godkjent beholder.
- Tøm drivstoff- og kjedeoljetanken når produktet oppbevares i lengre perioder av gangen. Avhend brukte væsker på riktig måte.
- Sett sverddekselet på sverdet under oppbevaring. Dette hindrer at personer berører det skarpe sagkjedet ved et uhell. Et sagkjede som ikke er i bruk kan føre til alvorlig skade på deg selv eller personer som berører et skarpt sagkjede.
- Fjern hetten på tennpluggen og aktiver kjedebremsen før oppbevaring.

---

## TEKNISKE DATA

---

	enhet	120 Mark II (P02138HV)
<b>Motorspesifikasjoner</b>		
Sylindervolum	cm <sup>3</sup>	38
Tennplugg		Champion RCJ7Y
Elektrodeavstand	mm (tommer)	0,5 (0,02)
Drivstofftankvolum	cm <sup>3</sup>	300
Tomgangsturtall	min <sup>-1</sup>	2800-3200
Effekt ved 9000 min <sup>-1</sup>	kW	1,4
Holdbarhetsperiode, utslipp	h	50
<b>Støy- og vibrasjonsdata</b>		
Ekvivalente vibrasjonsnivåer, a <sub>hveq</sub> (fremre håndtak) <sup>86</sup>	m/s <sup>2</sup>	4,5
Ekvivalente vibrasjonsnivåer, a <sub>hveq</sub> (bakre håndtak) <sup>87</sup>	m/s <sup>2</sup>	6,0
Lydeffektnivå, garantert (L <sub>WA</sub> ) <sup>88</sup>	dB(A)	116
Lydeffektnivå, målt <sup>89</sup>	dB(A)	110

<sup>86</sup> Ekvivalent vibrasjonsnivå i henhold til ISO 22867 beregnes som tidsvektet total energi for vibrasjonsnivåer under forskjellige driftsforhold. Rapporterte data for ekvivalent vibrasjonsnivå har en typisk statistisk spredning (standardavvik) på 1 m/s<sup>2</sup>.

<sup>87</sup> Ekvivalent vibrasjonsnivå i henhold til ISO 22867 beregnes som tidsvektet total energi for vibrasjonsnivåer under forskjellige driftsforhold. Rapporterte data for ekvivalent vibrasjonsnivå har en typisk statistisk spredning (standardavvik) på 1 m/s<sup>2</sup>.

<sup>88</sup> Utslipp av støy til omgivelsene målt som lydeffekt (L<sub>WA</sub>).

<sup>89</sup> Utslipp av støy til omgivelsene målt som lydeffekt (L<sub>WA</sub>).

	enhet	120 Mark II (P02138HV)
Lydtrykknivå ved brukerens øre <sup>90</sup>	dB(A)	95
<b>Produktmål</b>		
Vekt (uten skjæreutstyr)	kg	4,9
Oljetankvolum	cm <sup>3</sup>	200
<b>Brennstoff-/smøresystem</b>		
Oljepumpekapasitet ved 9000 min <sup>-1</sup>	ml/min	7
Oljetankvolum	cm <sup>3</sup>	200
Type av oljepumpe		Automatisk
<b>Sagkjede og sverd</b>		
Standard sverdlengde	cm (tommer)	35–40
Anbefalte sverdlengder	cm (tommer)	35–45
Effektiv skjærelengde	cm (tommer)	34–39 (13,5–15,5)
Maksimal sagkjedeastighet	m/s <sup>2</sup>	22,3
Sagkjededeling	mm (tommer)	8,3 (0,325)
		9,52 (3/8)
Tykkelse på drivlenke (måler)	mm (tommer)	1,3 (0,05)
Type drivhjul		Spur
Antall drivhjultenner		6 (drivhjul 3/8)
		7 (drivhjul 0,325)

---

## TILBEHØR

---

### Sverd og kjedekombinasjoner

Skjæreutstyret nedenfor er godkjent for produktet.

<sup>90</sup> Ekvivalent lydtrykknivå beregnes som tidsvektet total energi for ulike lydtrykknivåer under forskjellige driftsforhold. Typisk statistisk spredning for ekvivalent lydtrykknivå er et standard avvik på 1 dB(A).

Kjedestang				Sagkjede	
Lengde, cm (tommer)	Deling, mm (tommer)	Sporbredde, mm (tommer)	Maks. antall tenner nesehjul	Type	Lengde, drivlenke (stk.)
33 (13)	8,25 (0,325)	1,3 (0,050)	10T	Husqvarna H30	56
38 (15)	8,25 (0,325)				64
35 (14)	9,52		7T	Husqvarna H37	52
40 (16)	9,52				56
45 (18)	9,52				62

## Sagkjedets filing og sagkjedekombinasjoner

Sagkjede					
Kjedetype	Rundfilstørrelse	Vinkel for sideplate	Vinkel for topplate	Vinkel for filmal	Dybde målerinnstilling
H30	3/16 tommer / 4,8 mm	60°	30°	10°	0,025 tommer / 0,65 mm
H37	5/32 tommer / 4,0 mm	60°	30°	0°	0,025 tommer / 0,65 mm

## INNHALDET I EF-SAMSVARERKLÆRINGEN

Vi, Husqvarna AB, SE 561 82 Huskvarna, SVERIGE, erklærer under eneansvar at dette produktet:

Beskrivelse	Bensinmotorsag
Merke	Husqvarna
Plattform/type/modell	Plattform P02138HV, som representerer modellen 120 Mark II
Parti	Serienummer datert 2018 og senere

fullstendig overholder følgende EU-direktiver og -forskrifter:

Direktiv/regulering	Beskrivelse
2006/42/EF	«angående maskiner»
2014/30/EU	«angående elektromagnetisk kompatibilitet»
2000/14/EF	«angående utendørsstøy»

Harmoniserte standarder og/eller tekniske spesifikasjoner anvendt er som følger: EN ISO 12100, EN ISO 11681-1, CISPR 12, ISO 14982

I samsvar med direktivet 2000/14/EF, tillegg V står de oppgitte lydverdiene oppført i kapittelet om tekniske data i denne håndboken og i den signerte EF-samsvarerklæringen.

TÜV Rheinland LGA Products GmbH, kontrollorgan for maskiner (kontrollert under 0197), Tillystraße 2 – 90431 Nürnberg, Tyskland, utførte en EF-typeprøving i samsvar med 2006/42/EC, paragraf 12, punkt 3b.

Typekontrollsertifikatet, i samsvar med tillegg IX, som følger med den signerte samsvarerklæringen, gjelder for alle produksjonssteder og opprinnelsesland, slik det står oppgitt på produktet.

Motorsagen samsvarer med det eksemplaret som gjennomgikk EF-typeprøvingen.

---

# SPIS TREŚCI

---

WSTĘP.....	270	TRANSPORT.....	281
BEZPIECZEŃSTWO.....	271	PRZECHOWYWANIE.....	281
MONTAŻ.....	275	DANE TECHNICZNE.....	281
OBŚLUGA.....	276	AKCESORIA.....	283
KONSERWACJA.....	278	TREŚĆ DEKLARACJI ZGODNOŚCI Z NORMAMI WE.....	283

---

## WSTĘP

---

### Instrukcja obsługi

Oryginalnym językiem niniejszej instrukcji obsługi jest angielski. Instrukcje obsługi w innych językach są tłumaczone z angielskiego.

### Overview (Przegląd)

(Rys. 1 )

1. Tabliczka z numerem produktu i numerem seryjnym
2. Blokada wyzwalania
3. Uchwyt przedni
4. Pokrywa cylindra
5. Hamulec łańcucha i zabezpieczenie przed odbiciem
6. Tłumik
7. Zderzak
8. Końcówka zębata prowadnicy
9. Osłona prawej ręki
10. Wyzwalacz
11. Pokrywa zębátky
12. Wychwytnik łańcucha
13. Prowadnica
14. Łańcuch
15. Uchwyt rozrusznika
16. Zbiornik oleju do smarowania łańcucha
17. Rozrusznik
18. Zbiornik paliwa
19. Dźwignia ssania
20. Uchwyt tylny
21. Wylłącznik
22. Dysza regulacyjna obrotów biegu jałowego
23. Pompka
24. Naklejki informacyjne i ostrzegawcze
25. Śruba regulująca napięcie łańcucha
26. Osłona prowadnicy
27. Narzędzie wielofunkcyjne
28. Olej do silników dwusuwowych
29. Instrukcja obsługi (EPA)

### Symbole znajdujące się na produkcie

- (Rys. 2 ) Ostrzeżenie
- (Rys. 3 ) Przeczytać niniejszą instrukcję  
Użyć zatwierdzonych środków ochrony  
głowy, słuchu i oczu
- (Rys. 4 )
- (Rys. 5 ) Stosować rękawice ochronne
- (Rys. 6 ) Produkt jest zgodny z odpowiednimi  
dyrektywami Rady Europejskiej
- (Rys. 7 ) Moc akustyczna
- (Rys. 8 ) Hamulec piły łańcuchowej, niewłączony  
(lewa strona). Hamulec piły łańcuchowej,  
włączony (prawa strona)
- (Rys. 9 ) Dźwignia ssania
- (Rys. 10 ) Pompka
- (Rys. 11 ) Uzupełnianie paliwa
- (Rys. 12 ) Napełnianie oleju do smarowania łańcucha
- (Rys. 13 ) Ten produkt jest zgodny z odpowiednimi  
dyrektywami EAC
- (Rys. 14 ) Ten produkt jest zgodny z odpowiednimi  
dyrektywami Ukrainy
- (Rys. 15 ) Poziom hałas
- (Rys. 16 ) Maszynę należy mocno trzymać dwiema  
rękami
- (Rys. 17 ) Nie należy trzymać maszyny jedną ręką
- (Rys. 18 ) Unikać kontaktu z wierzchołkiem prowadnicy

(Rys. 19) Uwważaj na odbicie

Ten produkt jest zgodny z odpowiednimi dyrektywami Australii i Nowej Zelandii dotyczącymi kompatybilności

(Rys. 20) elektromagnetycznej

**Uwaga:** Pozostałe symbole/naklejki samoprzylepne umieszczone na produkcie dotyczą wymogów związanych z certyfikatami w innych obszarach komercyjnych.

- produkt jest nieprawidłowo naprawiany.
- produkt jest naprawiany przy użyciu części nie pochodzących od producenta lub niezatwierdzonych przez producenta.
- produkt jest wyposażony w akcesoria nie pochodzące od producenta lub niezatwierdzone przez producenta.
- produkt nie jest naprawiany w autoryzowanym centrum serwisowym lub przez autoryzowaną placówkę.

## Odpowiedzialność za produkt

Zgodnie z przepisami dotyczącymi odpowiedzialności za produkt nie ponosimy odpowiedzialności za szkody spowodowane przez nasz produkt, jeśli:

# BEZPIECZEŃSTWO

## Definicje dotyczące bezpieczeństwa

Poniższe definicje nadają poziom znaczenia każdemu słowu sygnałowemu.



**OSTRZEŻENIE:** obrażenia osób.



**UWAGA:** Uszkodzenie produktu.

**Uwaga:** Ta informacja ułatwia używanie maszyny.

## Ogólne zasady bezpieczeństwa

- Należy prawidłowo używać maszyny. Nieprawidłowe używanie grozi obrażeniami lub śmiercią. Maszyny należy używać wyłącznie do zadań opisanych w niniejszej instrukcji. Nie używać produktu do innych zadań.
- Zapoznać się z informacjami zawartymi w niniejszej instrukcji i przestrzegać ich. Stosować się do symboli i zasad bezpieczeństwa. W przypadku nieprzestrzegania instrukcji i symboli istnieje ryzyko wystąpienia obrażeń, uszkodzeń lub śmierci.
- Nie wolno wyrzucać tej instrukcji. Należy stosować się do instrukcji montażu, obsługi i konserwacji produktu. Należy stosować się do instrukcji montażu osprzętu i akcesoriów. Stosować wyłącznie zatwierdzone osprzęt i akcesoria.
- Nie wolno używać uszkodzonego produktu. Przestrzegać planu konserwacji. Przeprowadzać wyłącznie te prace konserwacyjne, które są opisane w tej instrukcji. Wszystkie inne prace konserwacyjne muszą być wykonywane przez autoryzowane centrum serwisowe.
- Niniejsza instrukcja nie obejmuje wszystkich sytuacji, które mogą wystąpić podczas używania produktu.

Należy zachować ostrożność i kierować się zdrowym rozsądkiem. Nie wolno obsługiwać produktu lub wykonywać prac konserwacyjnych w przypadku braku pewności co do danej sytuacji. Skontaktować się ze specjalistą ds. produktu, dealerem, warsztatem obsługi technicznej lub autoryzowanym centrum serwisowym w celu uzyskania informacji.

- Przed przystąpieniem do montażu lub konserwacji oraz na czas długiego przechowywania maszyny odłączyć świecę zapłonową.
- Nie używać produktu w przypadku zmiany jego początkowych specyfikacji. Nie wymieniać części maszyny bez zgody producenta. Używać wyłącznie części zatwierdzonych przez producenta. Nieprawidłowa konserwacja może doprowadzić do obrażeń lub śmierci.
- Nie wdychać spalin z silnika. Wdychanie przez długi czas spalin silnika, mgły oleju do smarowania piły łańcuchowej i pyłu towarzyszącego powstawaniu wiórów może powodować zagrożenie dla zdrowia.
- Nigdy nie włączać urządzenia w pomieszczeniach zamkniętych lub w pobliżu materiałów łatwopalnych. Spaliny mają wysoką temperaturę, a ponadto mogą wraz z nimi wydostawać się iskry, dlatego stanowią zagrożenie pożarowe. Brak dostatecznego przepływu powietrza grozi odniesieniem obrażeń lub śmiercią z powodu uduszenia lub zatrucia tlenkiem węgla
- Niniejszy produkt podczas pracy wytwarza pole elektromagnetyczne. Może ono spowodować uszkodzenie implantów medycznych. Przed użyciem produktu należy skontaktować się z lekarzem oraz producentem implantu medycznego.
- Nie pozwalać dzieciom używać maszyny.
- Nie pozwalać osobom nieznającym instrukcji używać maszyny.
- Należy zawsze kontrolować osobę o ograniczonych możliwościach fizycznych lub umysłowych podczas używania produktu. Zawsze musi jej towarzyszyć odpowiedzialna osoba dorosła.

- Przechowywać maszynę w miejscu niedostępnym dla dzieci i nieuprawnionych osób.
- Maszyna może wyrzucać przedmioty i powodować obrażenia. Należy przestrzegać zasad bezpieczeństwa, aby zmniejszyć ryzyko odniesienia obrażeń lub śmierci.
- Nie odchodzić od maszyny podczas pracy silnika. Zatrzymać silnik i upewnić się, że łańcuch nie obraca się.
- Operator maszyny jest odpowiedzialny za ewentualne wypadki.
- Przed przystąpieniem do używania produktu upewnić się, że części nie są uszkodzone.
- Stosować się do przepisów krajowych lub lokalnych. Mogą one zabraniać lub ograniczać używanie produktu w niektórych sytuacjach.
- Przed obróceniem się z maszyną należy upewnić się, że wszystkie osoby i zwierzęta znajdują się w bezpiecznym obszarze.
- Przed rozpoczęciem pracy usunąć wszystkie niechciane materiały z obszaru pracy. Jeśli łańcuch uderzy w jakiś przedmiot, przedmiot ten może zostać wyrzucony i spowodować obrażenia lub straty materialne. Niepożądane materiały mogą owinąć się wokół łańcucha i spowodować uszkodzenia.
- Nie wolno używać produktu przy złej pogodzie (we mgle, w deszczu, przy silnym wietrze, gdy istnieje prawdopodobieństwo wystąpienia burzy lub innych niekorzystnych zjawisk atmosferycznych). Złe warunki pogodowe mogą powodować niebezpieczne sytuacje, jak np. podwyższone niebezpieczeństwo poślizgnięcia się i utraty równowagi.
- Należy zapewnić sobie możliwość swobodnego poruszania i pracy w stabilnej pozycji.
- Należy zabezpieczyć się przed upadkiem podczas używania produktu. Nie pochylać się podczas używania produktu.
- Zawsze należy trzymać maszynę dwiema rękami. Lewą ręką chwycić uchwyt przedni, a prawą — tylny. Trzymać maszynę po prawej stronie ciała.
- Jeśli dzwignia ssania znajduje się w położeniu włączenia ssania w momencie uruchomienia silnika, łańcuch zaczyna się obracać.
- Wyłączyć silnik przed przemieszczeniem maszyny.
- Nie odkładać maszyny podczas pracy silnika.
- Wyłączyć silnik przed usunięciem niepożądanego materiału z maszyny. Odczekać, aż łańcuch się zatrzyma przed usunięciem ciętego materiału.
- Nie używać maszyny na drzewie. Praca maszyną na drzewie może prowadzić do obrażeń ciała.

## Instrukcje bezpieczeństwa dotyczące obsługi

- Ciągłe lub regularne użytkowanie produktu może prowadzić do uszkodzenia choroby zwanej „białymi palcami” lub podobnych problemów medycznych wynikających z drgań. Sprawdź stan dłoni i palców w przypadku ciągłego lub regularnego użytkowania produktu. W przypadku odbarwienia dłoni lub palców, bólu, mrowienia lub braku czucia należy wstrzymać pracę i natychmiast skonsultować się z lekarzem.
- Przed przystąpieniem do używania produktu upewnić się, że jest on w pełni zmontowany.
- Należy pamiętać o niebezpieczeństwie wyrzucania cząstek ciał stałych, które mogą spowodować uszkodzenie wzroku. Podczas używania maszyny zawsze stosować atestowaną osłonę oczu.
- Należy zachować ostrożność, ponieważ dziecko może niezauważenie podejść w pobliże urządzenia podczas jego pracy.
- Nie używać maszyny, jeśli w obszarze pracy znajdują się osoby trzecie. Zatrzymać maszynę, jeśli inna osoba znajdzie się w obszarze pracy.

### (Rys. 21)

- Zawsze należy zapewniać kontrolę nad maszyną.
- Maszynę należy obsługiwać dwoma rękami. Maszyny nie wolno obsługiwać jedną ręką. Obsługiwanie maszyny jedną ręką może prowadzić do poważnych obrażeń operatora, pracowników lub osób postronnych
- Lewą ręką chwycić uchwyt przedni, a prawą — tylny. Trzymać maszynę po prawej stronie ciała.

### (Rys. 22)

- Osoba, która jest zmęczona, chora lub pod wpływem alkoholu albo narkotyków nie może obsługiwać urządzenia.
- Nie używać maszyny, jeśli otrzymanie pomocy w razie wypadku będzie niemożliwe. Przed uruchomieniem maszyny i rozpoczęciem jej użytkowania należy poinformować osoby postronne.

### (Rys. 23)

- Po uruchomieniu maszyny hamulec łańcucha musi być włączony w celu zmniejszenia ryzyka uderzenia operatora przez łańcuch podczas rozruchu.

### (Rys. 24)

- Uniknąć odbicia, poślizgu, podskoku i upadku, ponieważ może to prowadzić do poważnych obrażeń ciała.
- Przestrzegać wszystkich zasad bezpieczeństwa, aby uniknąć odbicia i innych sił, które mogą prowadzić do poważnych obrażeń ciała.
- Regularnie naprężenie łańcucha piły regularnie, aby upewnić się, że nie występuje luz. Zbyt luźny łańcuch może spaść z prowadnicy i spowodować poważne obrażenia ciała lub śmierć.
- Drzew nie wolno ścinać stosując nieprawidłową procedurę. Może to spowodować obrażenia u osób, uderzenie w linię przesyłową lub szkody w mieniu.
- Operator powinien pozostać po stronie drzewa, która jest wyżej, ponieważ po ścięciu drzewo najczęściej toczy się lub zsuwa w dół zbocza.

### (Rys. 25)



- Przed rozpoczęciem wycinki należy zaplanować i oczyścić drogę ucieczki. Ścieżka ucieczki powinna rozciągać się z tyłu i po przekątnej do tylnej strony przewidywanej linii opadania.

(Rys. 26 )

- Przed przemieszczeniem produktu między drzewami należy zawsze wyłączyć silnik.
- Należy stać pewnie i równomiernie rozłożyć ciężar ciała.

(Rys. 27 )

- Zawsze utrzymywać odpowiedni odstęp pomiędzy stopami i obsługiwać maszynę tylko na stabilnym, bezpiecznym i płaskim podłożu. Śliskie lub niestabilne podłoża, takie jak drabiny, mogą spowodować utratę równowagi lub kontroli.

(Rys. 28 )

## Odbicia, poślizgi, podskoki i upadki

Na bezpieczną kontrolę nad produktem mogą mieć wpływ różne siły.

- **Ześlizgiwanie** ma miejsce, gdy prowadnica ześlizguje się lub przemieszcza szybko po drewnie.
- **Podskoki** mają miejsce wtedy, gdy prowadnica wielokrotnie na krótko unosi się ponad powierzchnię drewna i znowu na nią opada.
- **Upadek** ma miejsce wtedy, gdy produkt spada po wykonaniu cięcia. Może to spowodować, że poruszający się łańcuch dotknie części ciała lub innych przedmiotów, powodując obrażenia lub uszkodzenia.
- **Odbicie** ma miejsce wtedy, gdy koniec prowadnicy dotknie obiektów i poruszy się do tyłu, w górę lub nagle do przodu. Odbicie występuje również, gdy drewno zamyka się i zakleszcza piłę łańcuchową podczas cięcia. Utrata kontroli może wystąpić, jeśli maszyna dotknie jakiegoś obiektu w drewnie.

(Rys. 29 )

- **Odbicie rotacyjne** może powstać, gdy poruszający się łańcuch zetknie się z obiektem górną częścią końcówki prowadnicy. Może to spowodować, że łańcuch zanurzy się w obiekcie i natychmiast się zatrzyma. Rezultatem jest bardzo szybka, odwrotna reakcja, która powoduje przemieszczenie się prowadnicy w górę i do tyłu w kierunku operatora.

(Rys. 30 )

(Rys. 31 )

- **Odbicie zakleszczenia** może wystąpić, gdy piła łańcuchowa nagle zatrzyma się podczas cięcia. Drewno zaciska się i zakleszcza poruszający się łańcuch piły wzdłuż górnej części prowadnicy. Nagłe zatrzymanie łańcucha powoduje odwrócenie siły łańcucha i ruch maszyny w kierunku przeciwnym do obrotu łańcucha. Maszyna przemieszcza się do tyłu w kierunku operatora.

(Rys. 32 )

- **Wciągnięcie** może wystąpić, gdy piła łańcuchowa nagle się zatrzyma, gdy poruszający się łańcuch dotyka obiektu w drewnie przy dolnej części prowadnicy. Nagłe zatrzymanie powoduje pociągnięcie maszyny do przodu i z dala od operatora, co może łatwo spowodować utratę kontroli.

(Rys. 33 )

Przed rozpoczęciem pracy należy się upewnić, że działanie różnych sił i znajomość sposobu zapobiegania skutkom zostały prawidłowo zrozumiane.

## Aby zapobiec odbiciom, poślizgom, podskokom i upadkom

- Gdy silnik pracuje, należy upewnić się, że maszyna jest trzymana mocno. Trzymaj prawą ręką uchwyt tylny, a lewą — przedni. Mocno uchwycić rękojeści kciukami i palcami. Nie puszczać.
- Zachować kontrolę nad produktem podczas cięcia i po upadku drewna na ziemię. Nie wolno dopuszczać do tego, że masa maszyny opadnie po wykonaniu cięcia.(Rys. 34 )
- Należy się upewnić, że obszar, gdzie jest wykonywane cięcie, jest wolny od blokad. Nie pozwalaj, aby wierzchołek prowadnicy dotknął kłody, gałęzi lub innych elementów blokujących podczas obsługi maszyny.
- Ciąć przy wysokich prędkościach obrotowych silnika.
- Nigdy nie sięgać za daleko i nie ciąć powyżej wysokości ramion.(Rys. 35 )
- Przestrzegać zasad producenta, dotyczących ostrzenia i konserwacji prowadnicy i łańcucha piły.
- Należy stosować tylko określone przez producenta zamienne prowadnice i łańcuchy.
- Zbyt duża szczelina łańcucha zwiększa jego tendencję do odbić.

## Środki ochrony osobistej

- Zawsze należy stosować prawidłowe środki ochrony osobistej podczas używania produktu. Środki ochrony osobistej nie eliminują ryzyka odniesienia obrażeń. Środki ochrony osobistej zmniejszają powagę obrażeń w razie wystąpienia wypadku.
- Ubranie powinno być dopasowane, lecz nie powinno ograniczać swobody ruchów operatora.
- Stosować atestowany kask ochronny.
- Podczas używania produktu zawsze stosować zatwierdzoną osłonę zatwierdzone środki ochrony słuchu. Narażenie na działanie hałasu przez długi czas może spowodować utratę słuchu.
- Zawsze stosować okulary ochronne lub siatkę ochronną twarzy, aby ograniczyć ryzyko obrażeń w wyniku uderzenia przedmiotami odrzuconymi spod maszyny. Spod maszyny mogą być odrzucone z dużą siłą takie przedmioty jak wióry, małe kawałki drewna itp. Może to spowodować poważne obrażenia, szczególnie w razie uderzenia w oko.

- Używać rękawic z ochroną przed łańcuchem piły.
- Należy używać spodni z wkładką zabezpieczającą.
- Należy nosić obuwie z zabezpieczeniem przed przecięciem piłą, z podnoskami stalowymi i przeciwpoślizgowymi podeszwami.
- Należy zadbać o dostępność zestawu pierwszej pomocy.
- Mogą powstawać iskry wydostające się z tłumika, prowadnicy, łańcucha lub innego źródła. Należy zawsze mieć w pobliżu sprzęt gaśniczy i łopatę, aby zapobiec pożarom lasów.

## Środki zabezpieczające produktu

- Należy zapewnić regularną konserwację produktu.
  - Wydłuża się czas eksploatacji produktu.
  - Zmniejsza się ryzyko wypadków.

Autoryzowany diler lub autoryzowane centrum serwisowe powinno regularnie sprawdzać produkt w celu przeprowadzenia regulacji lub napraw.

- Nie używać produktu z uszkodzonym wyposażeniem ochronnym. Jeśli produkt jest uszkodzony, skontaktować się z zatwierdzonym centrum serwisowym.

## Wyłącznik

Uruchomić silnik. Sprawdzić, czy silnik wyłącza się po przestawieniu wyłącznika do pozycji zatrzymania.

## Sprawdzanie blokady manetki gazu

1. Upewnić się, że wyzwalacz (B) jest zablokowany w położeniu biegu jałowego podczas zwalniania blokady (A). (Rys. 36 )
2. Nacisnąć blokadę wyzwalania (A) i sprawdzić, czy po zwolnieniu powraca ona do pierwotnego położenia.
3. Nacisnąć wyzwalacz (B) i sprawdzić, czy po zwolnieniu powraca on do pierwotnego położenia.
4. Uruchomić silnik, a następnie ustawić pełne obroty.
5. Zwolnić wyzwalacz i sprawdzić, czy piła łańcuchowa zatrzymuje się.
6. Jeśli łańcuch piły obraca się zgodnie z obrotami biegu jałowego silnika, należy sprawdzić śrubę regulacji obrotów biegu jałowego gaźnika.

## Oslona

Oslona zapobiega odrzucaniu obiektów w kierunku operatora. Oslona zapobiega również przypadkowemu dotknięciu łańcucha tnącego przez operatora.

- Upewnij się, że osłona jest dopuszczona do pracy w połączeniu z produktem.
- Nie używać produktu bez założonej osłony.
- Należy sprawdzić, czy osłona nie jest uszkodzona. Wymienić zużytą lub popękana osłonę.

## Zasady bezpieczeństwa - paliwo

- Nie uruchamiać produktu, jeśli znajduje się na nim paliwo lub olej silnikowy. Usunąć zabrudzenia paliwem/olejem i odczekać, aż produkt wyschnie. Usunąć niepożądane paliwo z produktu.
- W przypadku rozlania paliwa na ubranie należy je natychmiast zmienić.
- Nie dopuścić do kontaktu paliwa z ciałem, ponieważ może to spowodować obrażenia. Jeśli dojdzie do kontaktu paliwa z ciałem, zmyć paliwo używając wody z mydłem.
- Nie uruchamiać silnika, jeśli doszło do rozlania paliwa lub oleju na maszynę lub na ciało.
- Nie uruchamiać maszyny, jeśli silnik jest nieszczelny. Regularnie sprawdzać silnik pod kątem nieszczelności.
- Zachować ostrożność przy pracy z paliwem. Paliwo jest łatwopalne, a jego opary mogą wybuchnąć, powodując obrażenia lub śmierć.
- Nie wdychać oparów paliwa, ponieważ może to być groźne dla zdrowia lub życia. Zapewnić odpowiednią wentylację.
- Nie palić tytoniu w pobliżu paliwa lub silnika.
- Nie umieszczać gorących przedmiotów w pobliżu paliwa lub silnika.
- Nie dolewać paliwa podczas pracy silnika.
- Przed tankowaniem upewnić się, że silnik jest zimny.
- Przed tankowaniem pomału odkręcić korek zbiornika paliwa i ostrożnie zwolnić ciśnienie.
- Nie dolewać paliwa do silnika w zamkniętym pomieszczeniu. Niewystarczający przepływ powietrza może doprowadzić do obrażeń lub śmierci na skutek uduszenia lub zatrucia tlenkiem węgla.
- Dokładnie dokręcić korek zbiornika paliwa, aby nie dopuścić do pożaru.
- Przed uruchomieniem przesunąć produkt o co najmniej 3 m (10 stóp) od miejsca, w którym było dolewane paliwo.
- Nie wlewać zbyt dużo paliwa do zbiornika.
- Podczas ruchu produktu lub pojemnika na paliwo istnieje niebezpieczeństwo wycieku paliwa. Podjąć odpowiednie działania, aby nie dopuścić do wycieku.
- Nie umieszczać produktu lub pojemnika na paliwo w pobliżu otwartego płomienia, iskry lub płomienia zapłonowego. Należy upewnić się, że w miejscu przechowywania nie ma źródła otwartego płomienia.
- Do transportu i przechowywania paliwa należy używać wyłącznie zatwierdzonych zbiorników.
- Opróżnić zbiornik paliwa przed długim przechowywaniem. Przestrzegać lokalnych przepisów dotyczących utylizacji paliwa.
- Wyczyścić maszynę przed długim przechowywaniem.
- Odłączyć przewód świecy zapłonowej przed przechowywaniem produktu, aby uniemożliwić przypadkowe uruchomienie silnika.

## Instrukcje bezpieczeństwa dotyczące konserwacji

- Odłączyć świecę przed przeprowadzeniem konserwacji produktu, która nie obejmuje regulacji gaźnika.
- Wszystkie czynności serwisowe muszą być wykonywane przez autoryzowanego dealera, za wyjątkiem zadań podanych w *KONSERWACJA na stronie 278*.
- Należy sprawdzić, czy łańcuch przestaje się obracać po zwolnieniu spustu przepustnicy.
- Należy zwracać uwagę, aby uchwytły były suche, czyste i niezabrudzone olejem ani mieszanką paliwową.
- Wszystkie korki i łączniki muszą być prawidłowo dokręcone.
- Wymiana komponentów na niezatwierdzone lub demontaż urządzeń zabezpieczających może spowodować uszkodzenie produktu. Może to również spowodować ewentualne obrażenia u operatora lub osób postronnych. Należy stosować wyłącznie zalecane akcesoria i części zamienne. Nie wolno wprowadzać modyfikacji produktu.
- Łańcuch piły powinien być ostry i czysty, aby zapewnić bezpieczną pracę z wysoką wydajnością.
- Należy przestrzegać instrukcji smarowania i wymiany akcesoriów.
- Sprawdzić produkt pod kątem uszkodzonych części. Przed dalszym użyciem produktu należy się upewnić, że uszkodzona osłona lub część działa prawidłowo. Należy sprawdzić produkt pod kątem występowania uszkodzonych lub nieprawidłowo dopasowanych części oraz części, które nie mogą poruszać się swobodnie. Należy sprawdzić występowanie innych warunków, które mogą mieć wpływ na działanie produktu. Sprawdzić, czy produkt został prawidłowo zmontowany. Osłona lub inna uszkodzona część musi zostać naprawiona lub wymieniona przez autoryzowanego dealera, chyba że zostało to inaczej określone w instrukcji obsługi.
- Gdy maszyna nie pracuje, należy ją przechowywać w suchym, wysokim lub zamkniętym miejscu, do którego dzieci nie mają dostępu.
- Podczas transportu lub przechowywania produktu do przemieszczenia produktu należy użyć osłony prowadnicy lub skrzynki.
- Nie wolno stosować olejów przepracowanych. Olej przepracowany może być niebezpieczny dla użytkownika i może spowodować uszkodzenie produktu i szkody w środowisku.

## MONTAŻ



**OSTRZEŻENIE:** Przed zmontowaniem produktu należy zapoznać się z rozdziałem dotyczącym bezpieczeństwa.

### Aby zmontować prowadnicę i piłę łańcuchową

1. Przesunąć zabezpieczenie przed odbiciem w kierunku przedniego uchwytu, aby wyłączyć hamulec łańcucha.
2. Wysunąć pokrętkę w pozycję otwartą. (Rys. 37 )
3. Obrócić pokrętkę w lewo, aby poluzować osłonę prowadnicy. (Rys. 38 )
4. Wymontować pokrętkę (A) i osłonę zębaki. Wymontować osłonę transportową, jeśli zainstalowano. (Rys. 39 )
5. Nałożyć prowadnicę na śruby. Przesunąć prowadnicę w skrajne tylne położenie. Założyć łańcuch na zębatkę napędową łańcucha i włożyć go w rowek prowadnicy. Zacząć od górnej strony prowadnicy. (Rys. 40 )
6. Upewnić się, że krawędzie ogniw tnących na górnej krawędzi prowadnicy są zwrócone do przodu.
7. Zamontować osłonę zębaki i wprowadzić trzpień napinacza łańcucha do otworu w prowadnicy. Upewnić się, że ogniwa prowadzące łańcucha są ułożone prawidłowo na zębacie napędowej łańcucha. Należy się również upewnić, że łańcuch piły jest prawidłowo osadzony w rowku prowadnicy. (Rys. 41 )
8. Naprężyć łańcuch obracając kółkiem w dół (+). Naprężyć łańcuch tak, aby ściśle przylegał do dolnej części prowadnicy. (Rys. 42 )
9. Łańcuch jest prawidłowo naprężony, ponieważ ściśle przylega do dolnej części prowadnicy, lecz można go łatwo obracać ręką.
10. Przytrzymać wierzchołek prowadnicy i obrócić pokrętkę w prawo w celu dokręcenia. (Rys. 43 )
  - Naprężenie łańcucha należy często sprawdzać po zamontowaniu nowego łańcucha do chwili dotarcia piły łańcuchowej.
  - Regularnie sprawdzać napięcie piły łańcuchowej. Prawidłowe napięcie piły łańcuchowej zapewnia dobrą wydajność cięcia i długi czas eksploatacji.

### Resetowanie hamulca łańcucha

Jeśli pokrywa sprężyna zostanie przypadkowo zdjęta, gdy hamulec piły łańcuchowej jest zablokowany, należy odblokować hamulec w celu zamontowania pokrywy bez zakleszczania bębna sprężyna.



**UWAGA:** Sprężyna hamulca piły łańcuchowej jest naprężona. Podczas resetowania hamulca piły łańcuchowej należy zachować ostrożność.

**Uwaga:** Nie przytrzymywać taśmy hamulca w trakcie jego resetowania.

1. Wyrównać występy na kluczu do prowadnicy tak, aby pasowały do łączy obrotu hamulca. (Rys. 44)

2. W celu zresetowania hamulca, obracać łącze w prawo aż do napotkania oporu. Po odblokowaniu hamulca piły łańcuchowej przednie łącze będzie znajdowało się w położeniu obróconym w dół. (Rys. 45) (Rys. 46)

## OBŚLUGA



**OSTRZEŻENIE:** Przed przystąpieniem do używania produktu zapoznać się z rozdziałem dotyczącym bezpieczeństwa.

### Używanie paliwa



**UWAGA:** Produkt jest wyposażony w silnik dwusuwowy. Używać mieszanki benzyny i oleju do silników dwusuwowych. Upewnić się, że mieszanka zawiera odpowiednią ilość oleju. Nieprawidłowa proporcja benzyny i oleju może spowodować uszkodzenie silnika.

### Proporcja mieszanki paliwowej

Proporcja mieszanki paliwowej dla benzyny i oleju do silników dwusuwowych wynosi 50:1 (2%)

Benzyzna	Olej do silników dwusuwowych
1 gal. amerykański	77 ml (2,6 oz)
1 gal. bryt.	95 ml (3,2 oz)
5 l	100 ml (3,4 oz)

### Mieszanie paliwa

1. Ustalić właściwe ilości benzyny i oleju silnikowego (proporcja mieszanki 50:1). Nie przygotowywać zbyt dużo mieszanki paliwowej. Przygotować maksymalnie ilość wystarczającą na 30 dni. Patrz *Używanie paliwa na stronie 276*.
2. Dodać połowę ilości benzyny do czystego pojemnika na paliwo z zaworem zapobiegającym wyciekom.



**UWAGA:** Nie używać benzyny o stężeniu etanolu większym niż 10% (E10). Niezastosowanie się do tego zalecenia może spowodować uszkodzenie produktu.



**UWAGA:** Nie używać benzyny o liczbie oktanowej niższej niż 90 RON (87 AKI). Niezastosowanie się do tego zalecenia może spowodować uszkodzenie produktu.

**Uwaga:** Używać benzyny o wyższej liczbie oktanowej, jeśli maszyna często pracuje przy wysokiej prędkości obrotowej silnika.

3. Dodać do pojemnika na paliwo pełną ilość oleju do silników dwusuwowych.



**UWAGA:** Zawsze należy używać wysokiej jakości oleju do silników dwusuwowych chłodzonych powietrzem. Inne oleje mogą spowodować uszkodzenie produktu.

4. Wstrząsnąć mieszankę, aby wymieszać składniki.
5. Dodać pozostałą ilość benzyny do pojemnika na paliwo.
6. Wstrząsnąć mieszankę, aby wymieszać składniki.
7. Napelnić zbiornik paliwa produktu mieszanką paliwową. Patrz *Używanie paliwa na stronie 276*.

### Napełnianie zbiornika paliwa

1. Upewnić się, że mieszanka paliwowa jest poprawna i że mieszanka paliwowa jest w pojemniku z paliwem z zaworem zapobiegającym wyciekom.
2. Jeśli w pojemniku znajduje się paliwo, usunąć niepożądane paliwo i poczekać, aż pojemnik wyschnie.
3. Sprawdzić, czy obszar wokół nakrętki zbiornika paliwa jest czysty.
4. Odkręcić korek zbiornika paliwa.
5. Wstrząsnąć pojemnik na paliwo przed dolaniem mieszanki paliwowej do zbiornika paliwa.
6. Założyć z powrotem korek zbiornika paliwa.

### Smarowanie piły łańcuchowej

Produkt jest wyposażony w automatyczny układ smarowania. Zbiornik oleju łańcuchowego i zbiornik paliwa są tak dobrane pod względem pojemności, by paliwo kończyło się, zanim skończy się olej. To zabezpieczenie wymaga użycia odpowiedniego oleju łańcuchowego i przestrzegania instrukcji.

1. Należy używać roślinnego lub standardowego oleju do smarowania piły łańcuchowej.
2. Należy się upewnić, że obszar w pobliżu korka zbiornika oleju piły łańcuchowej jest czysty.
3. Zdjąć korek zbiornika oleju łańcuchowego.

4. Napełnić zbiornik oleju do smarowania piły łańcuchowej zalecanym olejem do smarowania piły łańcuchowej.
5. Założyć z powrotem korek zbiornika oleju piły łańcuchowej.

## Uruchamianie i wyłączenie

### Przed uruchomieniem silnika

- Sprawdzić maszynę pod kątem brakujących, uszkodzonych, poluzowanych lub zużytych części.
- Sprawdzić nakrętki i śruby.
- Sprawdzić filtr powietrza.
- Sprawdzić działanie blokady wyzwalania oraz wyzwalacza.
- Sprawdzić działanie przełącznika wyłączenia.
- Sprawdzić urządzenie pod kątem wycieków paliwa.
- Sprawdzić ostrość i napięcie łańcucha piły.

### Uruchamianie zimnego silnika

1. Przesunąć zabezpieczenie przed odbiciem do przodu, aby włączyć hamulec łańcucha. (Rys. 47 )
2. 6 razy nacisnąć pompkę paliwową. (Rys. 48 )
3. Przesunąć dźwignię ssania do pozycji pełnego ssania. (Rys. 49 )
4. Przycisnąć korpus maszyny do ziemi lewą ręką. Umieścić prawą stopę w uchwycie tylnym w celu stabilizacji pilarki. Powoli ciągnąć rączkę linki rozrusznika do poczucia oporu. Następnie pociągnąć rączkę linki rozrusznika 5 razy. (Rys. 50 )

**Uwaga:** Nie ciągnąć wyzwalacza podczas uruchamiania silnika.

5. Przesunąć dźwignię ssania do braku ssania w położeniu włączenia.
6. Pociągnąć rączkę linki rozrusznika, aż silnik zacznie pracować. Odczekać 60 sekund po uruchomieniu przed pociągnięciem wyzwalacza.



**UWAGA:** Nie ciągnąć linki rozrusznika aż do oporu. Nie puszczać linki rozrusznika, kiedy jest w pełni wyciągnięta. Powoli zwolnić linkę rozrusznika. Aby uniknąć uszkodzenia silnika, należy przestrzegać tych instrukcji.

7. Przesunąć zabezpieczenie przed odbiciem w kierunku przedniego uchwytu, aby wyłączyć hamulec łańcucha.
8. Prawą ręką chwycić uchwyt tylny, a lewą przedni.
9. Rozpocząć używanie.

### Uruchamianie rozgrzanego silnika

1. Przesunąć zabezpieczenie przed odbiciem do przodu, aby włączyć hamulec łańcucha.
2. 6 razy nacisnąć pompkę paliwową.

3. Przesunąć dźwignię ssania do pozycji pełnego ssania.
4. Przesunąć dźwignię ssania do braku ssania w położeniu włączenia.
5. Przycisnąć korpus maszyny do ziemi lewą ręką. Umieścić prawą stopę w uchwycie tylnym w celu stabilizacji pilarki. Powoli ciągnąć rączkę linki rozrusznika do poczucia oporu. Następnie pociągnąć rączkę linki rozrusznika aż do momentu uruchomienia silnika. (Rys. 51 )

**Uwaga:** Nie ciągnąć wyzwalacza podczas uruchamiania silnika.



**UWAGA:** Nie ciągnąć linki rozrusznika aż do oporu. Nie puszczać linki rozrusznika, kiedy jest w pełni wyciągnięta. Powoli zwolnić linkę rozrusznika. Aby uniknąć uszkodzenia silnika, należy przestrzegać tych instrukcji.

6. Przesunąć zabezpieczenie przed odbiciem w kierunku przedniej rączki, aby wyłączyć hamulec łańcucha.
7. Prawą ręką chwycić uchwyt tylny, a lewą przedni.
8. Rozpocząć używanie.

### Uruchamianie silnika, gdy paliwo jest zbyt gorące

Jeśli produkt się nie uruchamia, paliwo może być zbyt gorące.

**Uwaga:** Zawsze stosować nowe paliwo i skrać czas pracy podczas ciepłej pogody.

1. Umieścić produkt w chłodnym miejscu z dala od bezpośredniego światła słonecznego.
2. Pozostawić produkt do ostygnięcia przynajmniej na 20 minut.
3. Naciskać pompkę paliwową przez 10-15 sekund.
4. Postępować zgodnie z procedurą uruchamiania zimnego silnika. Patrz *Uruchamianie zimnego silnika na stronie 277*.

### Zatrzymywanie silnika

- Nacisnąć wyłącznik, aby wyłączyć silnik.

**Uwaga:** Wyłącznik automatycznie powraca do położenia początkowego.

### Używanie zderzaka

Zderzak zapobiega odbiciom i przytrzymuje drewno podczas cięcia. Zderzak jest obrotowym podparciem między korpusem silnika a prowadnicą.

1. Ustawić dolny koniec zderzaka na prawidłową szerokość zawiasów.

2. Nacisnąć lewą ręką uchwyt przedni, podnosząc uchwyt tylny prawą ręką.
3. Piłować do chwili uzyskania właściwej szerokości zawiasu.

**Uwaga:** Zawias musi mieć jednakową grubość.

4. Przepiłować więcej niż połowę średnicy, a następnie umieścić klin do wycinki w śladzie piły.

## Ścinanie drzewa

1. Z drzewa należy usunąć brud, kamienie, luźną korę, gwoździe, klamry i fragmenty drutu.
2. Zrobić wycięcie na głębokość 1/3 średnicy drzewa prostopadłe do kierunku opadania. (Rys. 52)
3. Zrobić niższe poziome wycięcie. Zapobiegnie to zakleszczeniu łańcucha lub prowadnicy po zrobieniu drugiego wycięcia.
4. Zrobić tylne wycięcie do ścinki (X) o 50 mm (2 cale) wyżej niż poziome wycięcie. Zrobić wycięcie do ścinki równoległe do poziomego wycięcia tak, aby wystarczająca ilość drewna służyła jako zawias. Nie przecinać zawiasu. Zawias zapobiega skręceniu i opadaniu drzewa w złym kierunku. (Rys. 53) (Rys. 54)
5. Gdy rzaz ścinający zbliża się do zawiasu, drzewo zaczyna padać. Należy się upewnić, że drzewo może opaść we właściwym kierunku i nie odbije do tyłu, zakleszczając piłę łańcuchową. Aby temu zapobiec należy zatrzymać cięcie zanim zostanie zakończony rzaz ścinający. Wykorzystać drewniane, plastikowe lub aluminiowe kliny w celu pełnej kontroli kierunku upadku drzewa i obalić drzewo wzdłuż odpowiedniej linii upadku. (Rys. 55)
6. Gdy drzewo zaczyna upadać, wyjąć z niego maszynę, wyłączyć silnik, odłożyć maszynę, a

następnie skorzystać z zaplanowanej ścieżki oddalania. Uważać na stopy i opadające gałęzie znajdujące się nad głową. (Rys. 56)

## Okrzesywanie drzewa

1. Użyć większych gałęzi do utrzymania dłużycy nad ziemią.
2. Małe gałęzie należy obcinać jednym cięciem. (Rys. 57)
3. Obcinać naprężone gałęzie od dołu do góry, aby zapobiec zakleszczeniu piły łańcuchowej lub prowadnicy.

## Przecinanie dłużycy na kłody



**UWAGA:** Nie dopuszczać do zetknięcia piły łańcuchowej z podłożem.

- Jeśli kłoda jest podpierana na całej długości, należy ją ciąć od góry. (Rys. 58)
- Jeśli kłoda jest podpierana na jednym końcu, odciąć 1/3 średnicy od dolnej strony kłody. (Rys. 59)
- Jeśli kłoda jest podpierana na obu końcach, odciąć 1/3 średnicy od górnej części. Ukończyć pracę, wykonując cięcie prowadzone od dołu i przecinając 2/3 kłody tak, aby cięcie zetknęło się z pierwszym nacięciem. (Rys. 60)
- Jeśli dłużyca jest przycinana na kłody na pochyłości, należy zawsze stać po stronie wzniesienia od strony kłody. Przecinać kłodę zachowując pełną kontrolę nad maszyną, a następnie wyrównać siłę nacisku blisko końca cięcia jednocześnie przytrzymując tylną i przednią rączkę. (Rys. 61)

## KONSERWACJA



**OSTRZEŻENIE:** Przed czyszczeniem, naprawą lub konserwacją produktu zapoznać się z rozdziałem dotyczącym bezpieczeństwa.

- Upewnić się, że blokada i manetka działają poprawnie.
- Oczyszczyć hamulec łańcucha i upewnić się, że działa poprawnie.

(Rys. 62)

- Sprawdzić wychwytnik piły łańcuchowej pod kątem uszkodzeń. Wymienić wychwytnik, jeśli jest uszkodzony.

(Rys. 63)

- W celu równomiernego zużycia należy codziennie obracać prowadnicę.
- Sprawdzić, czy otwór smarujący znajdujący się w prowadnicy nie jest zapchany.

(Rys. 64)

- Oczyszczyć rowek prowadnicy.

(Rys. 65)

## Plan konserwacji

Należy przestrzegać planu konserwacji. Interwały są obliczane dla codziennego używania maszyny. Interwały są inne, jeśli maszyna nie jest używana każdego dnia. Przeprowadzać wyłącznie te prace konserwacyjne, które są opisane w tej instrukcji. W sprawie prac konserwacyjnych, których nie opisano w niniejszej instrukcji, skontaktować się z autoryzowanym centrum serwisowym.

## Przegląd codzienny

- Oczyszczyć powierzchnie zewnętrzne.

- Upewnić się, że prowadnica i piła łańcuchowa otrzymują wystarczającą ilość oleju.
- Sprawdzić łańcuch piły:
  - pod kątem pęknięć główek nitów i ogniwi,
  - pod kątem nadmiernego zużycia główek nitów i ogniwi,
  - pod kątem prawidłowego naciągu.

W razie konieczności wymienić łańcuch piły.

- Naostrzyć łańcuch piły. Patrz *Ostrzenie łańcucha piły na stronie 280*.
- Sprawdzić zębatkę napędową łańcucha pod kątem nadmiernego zużycia i wymienić w razie potrzeby.

(Rys. 66 )

- Oczyszczyć wlot powietrza rozrusznika.
- Upewnić się, że wszystkie nakrętki i śruby są dokręcone.
- Upewnić się, że wyłącznik działa prawidłowo.
- Sprawdzić silnik, zbiornik i przewody paliwowe pod kątem wycieków paliwa.
- Sprawdzić, czy łańcuch nie obraca się na biegu jałowym.

## Przegląd cotygodniowy

- Upewnić się, że układ chłodzenia działa prawidłowo.
- Upewnić się, czy rozrusznik, linka rozrusznika oraz sprężyna powrotna działają poprawnie.
- Sprawdzić, czy elementy antywibracyjne nie są uszkodzone.

(Rys. 67 )

- Wyrównać płaskim pilnikiem brzegi prowadnicy, aby zlikwidować zadziory.
- Oczyszczyć lub wymienić chwytacz iskier.

(Rys. 68 )

- Oczyszczyć zewnętrzne powierzchnie gaźnika i przylegających obszarów.
- Czyszczenie filtra powietrza. Zamontować nowy filtr powietrza, jeśli jest uszkodzony lub bardzo brudny. Więcej informacji, patrz *Czyszczenie filtra powietrza na stronie 280*.

## Przegląd miesięczny

- Sprawdzić stan taśmy hamulca piły łańcuchowej pod kątem zużycia. Wymienić ją, jeżeli w najbardziej zużytych miejscach jej grubość wynosi 0,6 mm.

(Rys. 69 )

- Sprawdzić stan zużycia tarczy, bębna i sprężyny sprzęgła.
- Wyczyścić świecę zapłonową. Upewnić się, że odstęp między elektrodami jest prawidłowy.

(Rys. 70 )

- Oczyszczyć zewnętrzne powierzchnie gaźnika i przylegających obszarów.
- Sprawdzić stan filtra paliwa i przewodu paliwowego. W razie potrzeby należy dokonać wymiany.

- Opróżnić zbiornik paliwa.
- Opróżnić zbiornik oleju.
- Sprawdzić stan wszystkich przewodów i połączeń.

## Konserwacja coroczna

- Sprawdzić świecę zapłonową.
- Oczyszczyć zewnętrzne powierzchnie gaźnika i przylegających obszarów.
- Oczyszczyć system chłodzący.
- Sprawdzić siatkę iskrochronu.
- Sprawdzić filtr paliwa.
- Sprawdzić przewód paliwowy pod kątem uszkodzeń.
- Sprawdzić stan wszystkich przewodów i połączeń.

## Konserwacja sporadyczna

- Po 50 godzinach pracy autoryzowane centrum serwisowe powinno naprawić lub wymienić tłumik.
- Konserwację świecy zapłonowej należy przeprowadzić, gdy:
  - poziom mocy silnika jest niski,
  - trudno jest uruchomić silnik,
  - silnik nie działa prawidłowo przy obrotach biegu jałowego.
- Smarowanie piły łańcuchowej należy sprawdzać przy każdym tankowaniu. Patrz *Sprawdzanie smarowania piły łańcuchowej na stronie 281*.

## Regulacja obrotów biegu jałowego

Przed regulacją obrotów biegu jałowego sprawdzić, czy filtr powietrza jest czysty i przymocować pokrywę filtra powietrza.

1. Obracać śrubę regulacji obrotów biegu jałowego, która jest oznaczona znakiem T, w prawo do chwili, gdy łańcuch piły zacznie się obracać.
2. Obracać śrubę regulacji obrotów biegu jałowego, która jest oznaczona znakiem T, w lewo do chwili, gdy łańcuch piły się zatrzyma.
3. Wartość obrotów biegu jałowego powinna być niższa od prędkości obrotowej, przy której łańcuch piły zaczyna pracować. Obroty jałowe ustawione są prawidłowo, jeżeli silnik pracuje płynnie w każdym położeniu.

## Oczyszczanie chwytacza iskier

1. Użyć szczotki drucianej do czyszczenia chwytacza iskier.

## Konserwacja świecy zapłonowej



**UWAGA:** Używać zalecanej świecy zapłonowej. Upewnić się, że część zamienna jest taka sama, jak część dostarczona przez producenta. Nieprawidłowa świeca zapłonowa może doprowadzić do uszkodzenia maszyny.

1. Jeśli produkt trudno uruchomić lub obsłużyć, sprawdzić świecę zapłonową pod kątem niepożądanych materiałów. Aby zmniejszyć ryzyko przedostawania się niepożądanych materiałów na elektrody świecy zapłonowej:
  - a) dopilnować, by obroty biegu jałowego zostały prawidłowo wyregulowane.
  - b) dopilnować, aby używana była odpowiednia mieszanka paliwowa.
  - c) zadbać o czystość filtra powietrza.
2. Wyczyścić świecę zapłonową, jeśli jest brudna. Upewnić się, że odstęp między elektrodami jest prawidłowy. (Rys. 71 )
3. W razie potrzeby wymienić świecę zapłonową.

## Czyszczenie filtra powietrza

1. Zdjąć pokrywę filtra powietrza i wyjąć filtr powietrza.
2. Oczyszczyć filtr powietrza ciepłą wodą z mydłem. Przed zamontowaniem filtra poczekać na jego wyschnięcie.
3. Wymienić filtr powietrza, jeśli jest zbyt brudny, aby całkowicie go wyczyścić. Zawsze wymieniać uszkodzony filtr powietrza.

## Ostrzenie łańcucha piły

### Przecinarka

Tnąca część łańcucha pilarki to ogniwo tnące, które składa się z zęba tnącego (A) i ogranicznika głębokości (B). Różnica wysokości ogniwa tnącego i ogranicznika określa głębokość cięcia (C).

(Rys. 72 )

Podczas ostrzenia zęba tnącego należy zwracać uwagę na cztery wymiary.

- Kąt zaostrenia.

(Rys. 73 )

- Kąt ostrza.

(Rys. 74 )

- Kąt pozycji pilnika (kąt czołowy)

(Rys. 75 )

- Średnica pilnika okrągłego

(Rys. 76 )

### Ostrzenie zębów tnących

Użyć pilnika okrągłego i prowadnika pilnika, aby naostrzyć ząb tnący. Patrz *Pilnik piły łańcuchowej i kombinacje łańcucha na stronie 283*, aby uzyskać informacje na temat zalecanych wymiarów pilnika i szablonu do łańcucha zamontowanego w danej maszynie.

1. Dopilnować, aby łańcuch został prawidłowo naprężony. W razie niewystarczającego napięcia łańcucha powstają odchylenia boczne utrudniające jego prawidłowe naostrzenie.

2. Naostrzyć najpierw wszystkie zęby po jednej stronie. Naostrzyć zęby tnące od strony wewnętrznej i nie naciskać na pilnik przy ruchu powrotnym.
3. Obrócić maszynę i naostrzyć zęby po drugiej stronie.
4. Zęby należy ostrzyć tak, aby miały jednakową długość. Długość zębów tnących poniżej 4 mm (5/32") świadczy o zużyciu łańcucha i konieczności jego wymiany. (Rys. 77 )

## Regulacja ustawienia szablonu do ograniczników głębokości

Naostrzyć zęby tnące przed ustaleniem szczeliny łańcucha. Patrz *Ostrzenie zębów tnących na stronie 280*. Wskutek ostrzenia zęba tnącego (A) zmniejsza się szczelina łańcucha (C). Aby łańcuch mógł zachować maksymalną zdolność cięcia, konieczne jest obniżenie ogranicznika głębokości (B) do zalecanego poziomu. Patrz *Pilnik piły łańcuchowej i kombinacje łańcucha na stronie 283*, aby znaleźć informacje na temat prawidłowego wymiaru szczeliny łańcucha dla odpowiedniego łańcucha.

(Rys. 78 )

(Rys. 79 )

**Uwaga:** Wychodzimy przy tym z założenia, że zęby tnące nie zostały na długość spilowane więcej niż potrzeba.

Aby wyregulować ogranicznik głębokości, należy użyć płaskiego pilnika i szablonu do ograniczników głębokości.

1. Umieścić szablon nad łańcuchem. Szczegółowe informacje dotyczące stosowania szablonu znajdują się na opakowaniu.
2. Spiluj nadmiar wystającej części ogranicznika za pomocą pilnika płaskiego. Szczelina łańcucha jest prawidłowa, gdy podczas wykonywania ruchów pilnikiem w szablonie nie występuje opór.

## Naprężanie łańcucha piły

**Uwaga:** Sprawdzać często naprężenie nowego łańcucha piły podczas okresu docierania.

1. Poluzować nakrętki prowadnicy, które utrzymują pokrywę zębątki. Użyć klucza płasko-oczkowego. (Rys. 80 )
2. Ręcznie dokręcić nakrętki prowadnicy do oporu.
3. Podnieść górę prowadnicy i wysunąć łańcuch piły, dokręcając śrubę regulującą napięcie piły łańcuchowej. Użyć klucza płasko-oczkowego. Napiąć łańcuch piły tak, aby nie zwisał z dolnej części prowadnicy. (Rys. 81 )
4. Dokręcić nakrętki prowadnicy za pomocą klucza oczkowo-płaskiego jednocześnie unosząc wierzchołek prowadnicy. (Rys. 82 )
5. Sprawdzić, czy można łatwo przesunąć ręką łańcuch po prowadnicy i czy ściśle przylega. (Rys. 83 )



## Smarowanie osprzętu tnącego

### Sprawdzanie smarowania piły łańcuchowej

Smarowanie łańcucha należy sprawdzać przy każdym tankowaniu.

1. Uruchomić maszynę i pozwolić jej pracować przy 3/4 prędkości obrotowej. Skierować końcówkę prowadnicy na jasną powierzchnię w odległości ok. 20 cm (8 cali).
2. Po 1 minucie pracy na jasnej powierzchni pojawi się linia oleju.
3. Jeśli po upływie 1 minuty nie widać linii oleju, oczyścić kanał oleju w prowadnicy. Oczyścić rowek

w krawędzi prowadnicy. Upewnić się, że końcówka zębata prowadnicy obraca się swobodnie i że nie ma zatorów w otworze smarowniczym. Oczyścić i nasmarować końcówkę prowadnicy.

4. Uruchomić maszynę i pozwolić jej pracować przy 3/4 prędkości obrotowej. Skierować końcówkę prowadnicy na jasną powierzchnię w odległości ok. 20 cm (8 cali).
5. Po 1 minucie pracy na jasnej powierzchni pojawi się linia oleju.
6. Jeśli po upływie 1 minuty nie widać linii oleju, skontaktuj się z autoryzowanym dealerem.

## TRANSPORT

- Przed transportem opróżnić zbiornik paliwa i zbiornik oleju do smarowania łańcucha. Zużyte płyny należy prawidłowo zutylizować.
- Umieścić pokrywę prowadnicy na osprzęcie tnącym na czas transportu. Zapobiegnie to przypadkowemu dotknięciu ostrego łańcucha. Nawet niedziałająca piła łańcuchowa może spowodować obrażenia u operatora lub innych osób, które dotkną ostrego łańcucha piły.
- Przed transportem zdjąć fajkę świecy zapłonowej ze świecy zapłonowej i włączyć hamulec piły łańcuchowej.
- Upewnić się, że produkt nie może się poruszać podczas transportu.

## PRZECHOWYWANIE

- Produkt należy zawsze przechowywać w bezpiecznym miejscu, gdy nie jest używany. Wycieki i opary z produktu mogą się zetknąć z iskrami, otwartym ogniem z urządzeń elektrycznych, kosiarzek elektrycznych, przełączników/przełączników, kotłów itd.
- Paliwo należy zawsze przechowywać w atestowanym pojemniku.
- Gdy produkt będzie przechowywany przez dłuższy czas, należy opróżnić zbiorniki paliwa i oleju do smarowania piły łańcuchowej. Zużyte płyny należy prawidłowo zutylizować.
- Podczas przechowywania należy założyć na prowadnicę osłonę prowadnicy. Zapobiegnie to przypadkowemu dotknięciu ostrego łańcucha. Nawet niedziałająca piła łańcuchowa może spowodować poważne obrażenia u operatora lub innych osób, które dotkną ostrego łańcucha piły.
- Przed przechowywaniem zdjąć fajkę świecy zapłonowej ze świecy zapłonowej i włączyć hamulec piły łańcuchowej.

## DANE TECHNICZNE

	jednostka	120 Mark II (P02138HV)
<b>Typ silnika</b>		
Pojemność skokowa cylindra	cm <sup>3</sup>	38
Świeca zapłonowa		Champion RCJ7Y
Odstęp między elektrodami	mm (cale)	0,5 (0,02)
Pojemność zbiornika paliwa	cm <sup>3</sup>	300
Prędkość obrotowa biegu jałowego	min <sup>-1</sup>	2800-3200
Moc wyjściowa przy 9000 min <sup>-1</sup>	kW	1,4

	<b>jednostka</b>	<b>120 Mark II (P02138HV)</b>
Okres trwałości emisji	godz.	50
<b>Dane dotyczące hałasu i drgań</b>		
Równoważne poziomy wibracji przedniego uchwytu $h_{veq}^{91}$	m/s <sup>2</sup>	4,5
Równoważne poziomy wibracji tylnego uchwytu $h_{veq}^{92}$	m/s <sup>2</sup>	6,0
Poziom mocy akustycznej, gwarantowany ( $L_{WA}$ ) <sup>93</sup>	dB (A)	116
Zmierzony poziom mocy akustycznej <sup>94</sup>	dB (A)	110
Poziom ciśnienia akustycznego na poziomie uszu operatora <sup>95</sup>	dB (A)	95
<b>Wymiary produktu</b>		
Ciężar (bez osprzętu tnącego)	kg	4,9
Pojemność zbiornika oleju	cm <sup>3</sup>	200
<b>Układ zasilania/smarowania</b>		
Wydajność pompy oleju przy 9000 <sup>-1</sup>	ml/min	7
Pojemność zbiornika oleju	cm <sup>3</sup>	200
Typ pompy olejowej		Automatyczne
<b>Łańcuch piły i prowadnica</b>		
Standardowa długość prowadnicy	cm (cale)	35-40 (14-16)
Zalecana długość prowadnicy	cm (cale)	35-45 (14-18)
Użyteczna długość cięcia	cm (cale)	34-39 (13,5-15,5)
Maksymalna prędkość łańcucha piły	m/s	22,3
Podziałka piły łańcuchowej	mm (cale)	8,3 (0,325)
		9,52 (3/8)
Grubość ogniw prowadzących (plytka kontrolna)	mm (cale)	1,3 (0,05)
Typ zębatego napędowej		Ostroga

<sup>91</sup> Równoważny poziom drgań, zgodny z normą ISO 22867, obliczany jest jako całkowita, czasowo wyważona energia całkowita dla poziomów drgań w różnych warunkach pracy. Odnotowane dane dotyczące równoważnego poziomu drgań wykazują typowe rozproszenie statystyczne (odchylenie standardowe) w wysokości 1 m/s<sup>2</sup>.

<sup>92</sup> Równoważny poziom drgań, zgodny z normą ISO 22867, obliczany jest jako całkowita, czasowo wyważona energia całkowita dla poziomów drgań w różnych warunkach pracy. Odnotowane dane dotyczące równoważnego poziomu drgań wykazują typowe rozproszenie statystyczne (odchylenie standardowe) w wysokości 1 m/s<sup>2</sup>.

<sup>93</sup> Emisja hałasu do otoczenia mierzona jako moc akustyczna ( $L_{WA}$ ).

<sup>94</sup> Emisja hałasu do otoczenia mierzona jako moc akustyczna ( $L_{WA}$ ).

<sup>95</sup> Równoważny poziom ciśnienia akustycznego obliczany jest jako całkowita, czasowo wyważona energia dla różnych poziomów dźwięku w różnych warunkach pracy. Typowe rozproszenie statystyczne dla równoważnego poziomu ciśnienia akustycznego to standardowe odchylenie o wartości 1 dB (A).

	<b>jednostka</b>	<b>120 Mark II (P02138HV)</b>
Liczba zębów zębatki napędowej		6 (zębatki napędowej 3/8) 7 (zębatki napędowej 0,325)

## AKCESORIA

### Kombinacje prowadnicy i łańcucha

Poniższe osprzęty tnące są zatwierdzone dla modelu.

Prowadnica				Łańcuch	
Długość, cm (cale)	Podziałka, mm (cale)	Miarka, mm (cale)	Maks. ilość zębów na zębatce	Typ	Długość, ogniwa prowadzące (szt.)
33 (13)	8,25 (0,325)	1,3 (0,050)	10T	Husqvarna H30	56
38 (15)	8,25 (0 325)				64
35 (14)	9,52 (3/8)		7T	Husqvarna H37	52
40 (16)	9,52 (3/8)				56
45 (18)	9,52 (3/8)				62

### Pilnik piły łańcuchowej i kombinacje łańcucha

Łańcuch					
Typ łańcucha	Rozmiar pilnika okrągłego	Kąt bocznej płyty	Kąt górnej płyty	Kąt prowadzenia pilnika	Ustawienie szablony głębokości
H30	3/16 cala/4,8 mm	60°	30°	10°	0,025 cala/0,65 mm
H37	5/32 cala/4,0 mm	60°	30°	0°	0,025 cala/0,65 mm

## TREŚĆ DEKLARACJI ZGODNOŚCI Z NORMAMI WE

Firma Husqvarna AB, SE 561 82 Husqvarna, SZWECJA, deklaruje z pełną odpowiedzialnością, że przedstawiony produkt:

Opis	Pilarka benzynowa
Marka	Husqvarna

Opis	Pilarka benzynowa
Platforma/typ/model	Platforma P02138HV, reprezentująca model 120 Mark II
Partia produkcyjna	Począwszy od numerów seryjnych z roku 2018

spełnia wszystkie wymogi określone w odpowiednich dyrektywach i przepisach UE:

Dyrektywa/przepis	Opis
2006/42/WE	„maszynowa”
2014/30/UE	„dotycząca zgodności elektromagnetycznej”
2000/14/WE	„dotycząca emisji hałasu”

Odpowiednie zharmonizowane normy oraz parametry techniczne: EN ISO 12100, EN ISO 11681-1, CISPR 12, ISO 14982

Zgodnie z dyrektywą 2000/14/WE, Aneks V, deklarowane wartości dźwięku są podane w rozdziale „Dane techniczne” niniejszej instrukcji i w podpisanej deklaracji zgodności WE.

TÜV Rheinland LGA Products GmbH, jednostka notyfikowana dla maszyn (notyfikowana pod numerem 0197), Tillystraße 2 - 90431 Nürnberg, Germany, przeprowadziła badanie typu WE zgodnie z dyrektywą 2006/42/WE, artykuł 12, punkt 3b.

Certyfikat badania typu, zgodnie z załącznikiem IX, dołączony na podpisanej Deklaracji zgodności, dotyczy wszystkich miejsc produkcji oraz krajów pochodzenia, informacje o których umieszczono na produktach.

Niniejsza piła łańcuchowa jest zgodna z przykładowym urządzeniem, które przeszło badania typu WE.

---

# ÍNDICE

---

INTRODUÇÃO.....	285	TRANSPORTE.....	296
SEGURANÇA.....	286	ARMAZENAMENTO.....	296
MONTAGEM.....	290	ESPECIFICAÇÕES TÉCNICAS.....	296
UTILIZAÇÃO.....	291	ACESSÓRIOS.....	298
MANUTENÇÃO.....	293	CONTEÚDO DA DECLARAÇÃO DE CONFORMIDADE DA UE.....	298

---

## INTRODUÇÃO

---

### Manual do utilizador

O idioma inicial deste manual do utilizador é o Inglês.  
Os manuais do utilizador em outros idiomas são traduções do Inglês.

### Revisão geral

(Fig. 1 )

1. Placa de tipo e número de série
2. Bloqueio do acionador
3. Punho dianteiro
4. Cobertura do cilindro
5. Travão de corrente com protector anti-retrocesso
6. Silenciador
7. Apoio para casca
8. Roda frontal da lâmina
9. Protector da mão direita
10. Acionador
11. Cobertura do pinhão
12. Retentor de corrente
13. Barra guia
14. Corrente da serra
15. Punho de arranque
16. Depósito de óleo da corrente
17. Dispositivo de arranque
18. Depósito de combustível
19. Controlo do estrangulador
20. Punho traseiro
21. Interruptor de paragem
22. Parafuso de ajuste do ralenti
23. Bomba de combustível
24. Autocolante de informação e aviso
25. Parafuso esticador da corrente
26. Cobertura da lâmina guia
27. Ferramenta múltipla
28. Óleo para motores a dois tempos
29. Manual do utilizador (EPA)

### Símbolos no produto

(Fig. 2 ) Aviso

(Fig. 3 ) Leia este manual

(Fig. 4 ) Utilize proteção aprovada para a cabeça, protetores acústicos e proteção ocular

(Fig. 5 ) Utilize luvas de proteção aprovadas

(Fig. 6 ) O produto está em conformidade com as diretivas CE aplicáveis

(Fig. 7 ) Nível de potência sonora

(Fig. 8 ) Travão da corrente, não engatado (lado esquerdo). Travão da corrente, engatado (lado direito)

(Fig. 9 ) Controlo do estrangulador

(Fig. 10 ) Bomba de combustível

(Fig. 11 ) Reabastecimento de combustível

(Fig. 12 ) Enchimento com óleo de corrente

(Fig. 13 ) Este produto está em conformidade com as diretivas EAC aplicáveis

(Fig. 14 ) Este produto está em conformidade com as diretivas aplicáveis da Ucrânia

(Fig. 15 ) Nível de ruído

(Fig. 16 ) Segure firmemente o produto com as duas mãos

(Fig. 17 ) Não utilize apenas com uma mão

(Fig. 18 ) Evite o contacto com a extremidade da lâmina-guia

(Fig. 19) Cuidado com o retrocesso

Este produto está em conformidade com as diretivas de compatibilidade eletromagnética

(Fig. 20) aplicáveis da Austrália e da Nova Zelândia.

**Nota:** Os restantes símbolos/autocolantes existentes no produto dizem respeito a exigências para homologação em outras áreas comerciais.

## Responsabilidade pelo produto

Como referido nas leis de responsabilidade pelo produto, não somos responsáveis por danos causados pelo nosso produto se:

- o produto tiver sido incorretamente reparado.
- o produto tiver sido reparado com peças que não sejam do fabricante ou que não sejam aprovadas pelo fabricante.
- o produto tiver um acessório que não seja do fabricante ou que não seja aprovado pelo fabricante.
- o produto não tiver sido reparado por um centro de assistência autorizado ou por uma autoridade aprovada.

# SEGURANÇA

## Definições de segurança

As definições abaixo indicam o nível de gravidade para cada palavra do sinal.



**ATENÇÃO:** Ferimentos pessoais.



**CUIDADO:** Danos no produto.

**Nota:** Esta informação facilita a utilização do produto.

## Instruções de segurança gerais

- Utilize o produto corretamente. Ferimentos ou morte são resultados possíveis de utilização incorreta. Utilize apenas o produto para as tarefas descritas neste manual. Não utilize o produto para outras tarefas.
- Certifique-se de que lê, compreende e segue as instruções presentes neste manual. Respeite as instruções e os símbolos de segurança. Ferimentos, danos ou morte são um resultado possível se o operador não respeitar as instruções e os símbolos.
- Não elimine este manual. Utilize as instruções para montar, para operar e para manter o seu produto em bom estado. Utilize as instruções para a instalação correta de acessórios. Utilize apenas acessórios aprovados.
- Não utilize um produto danificado. Respeite o esquema de manutenção. Realize apenas tarefas de manutenção descritas neste manual. Todas as outras tarefas de manutenção têm de ser realizadas por um centro de assistência autorizado.
- Este manual não pode incluir todas as situações que podem ocorrer quando utiliza o produto. Seja cuidadoso e use o seu senso comum. Não opere o produto nem realize tarefas de manutenção se não tiver a certeza acerca da situação. Fale com um especialista do produto, o seu concessionário, oficina autorizada ou centro de assistência autorizado para obter informações.
- Desligue o cabo da vela de ignição antes de montar o produto, de o armazenar ou de realizar tarefas de manutenção.
- Não utilize o produto se este for alterado da sua especificação inicial. Não altere uma parte do produto sem a aprovação do fabricante. Utilize apenas peças que sejam aprovadas pelo fabricante. Ferimentos ou morte são resultados possíveis de manutenção incorreta.
- Não respire os gases do motor. A inspiração prolongada dos gases de escape do motor, da névoa do óleo de corrente ou do serrim pode constituir um risco para a saúde.
- Não arranque o produto em locais fechados ou nas proximidades de material inflamável. Os gases de escape são quentes e podem conter faíscas que podem causar incêndios. O fluxo de ar insuficiente pode causar ferimentos ou morte por asfixia ou inalação de monóxido de carbono.
- Este produto emite um campo eletromagnético durante o funcionamento. O campo eletromagnético pode causar danos a implantes médicos. Consulte o seu médico e o fabricante do implante antes de utilizar este produto.
- Não deixe uma criança utilizar o produto.
- Não deixe que o produto seja utilizado por uma pessoa que não conhece as instruções.
- Monitoreze sempre a utilização do produto por pessoas com diminuição da capacidade física ou mental. Tem de estar sempre presente um adulto responsável.
- Bloqueie o produto numa área à qual crianças e pessoas sem autorização não tenham acesso.
- O produto pode projetar objetos e causar ferimentos. Respeite as instruções de segurança para diminuir o risco de ferimentos ou morte.
- Não se afaste do produto quando o motor estiver ligado. Pare o motor e certifique-se de que a corrente não roda.

- O operador do produto é responsável caso ocorra um acidente.
- Certifique-se de que as peças não estão danificadas antes de utilizar o produto.
- Consulte as leis nacionais ou locais. Podem impedir ou diminuir o funcionamento do produto em algumas condições.

## Instruções de segurança para funcionamento

- O funcionamento contínuo ou regular do produto pode causar o "síndrome dos dedos brancos" ou problemas médicos equivalentes causados pelas vibrações. Examine o estado das suas mãos e dedos se utilizar o produto de forma contínua ou regular. Se as suas mãos ou dedos apresentarem descoloração, se tiver dor ou uma sensação de zumbido ou dormência, pare de trabalhar e consulte imediatamente um médico.
- Certifique-se de que o produto está totalmente montado antes de o utilizar.
- O produto pode causar a projeção de objetos, o que pode causar danos nos olhos. Utilize sempre uma proteção ocular aprovada quando utilizar o produto.
- Tenha cuidado, uma criança pode aproximar-se do produto sem o seu conhecimento durante o funcionamento.
- Não opere o produto se houver pessoas na área de trabalho. Pare o produto se uma pessoa for para a área de trabalho.

(Fig. 21 )

- Certifique-se de que está sempre em controlo do produto.
- O produto tem de ser utilizado com ambas as mãos. Não utilize o produto apenas com uma mão. Podem ocorrer ferimentos graves no operador, funcionários, terceiros ou em vários ao mesmo tempo, se trabalhar apenas com uma mão.
- Segure o punho dianteiro com a mão direita e o punho dianteiro com a mão esquerda. Mantenha o produto do lado direito do seu corpo.

(Fig. 22 )

- Não utilize o produto se estiver cansado, doente ou sob a influência de álcool ou outras drogas.
- Não utilize o produto se não puder receber ajuda em caso de acidente. Certifique-se de que outras pessoas sabem que irá operar o produto antes de o ligar.
- Não vire com o produto antes de se certificar de que não há pessoas ou animais na área de segurança.
- Remova todos os materiais indesejados da área de trabalho antes de começar. Se a corrente atingir um objeto, este pode ser projetado e causar ferimentos ou danos. Os materiais indesejados podem enrolar-se à volta da corrente e causar danos.
- Não utilize o produto em más condições meteorológicas como nevoeiro, chuva, ventos fortes,

risco de relâmpagos ou outras condições meteorológicas. Podem ocorrer condições perigosas, tais como, superfícies escorregadias, devido a más condições meteorológicas.

- Certifique-se de que pode mover-se livremente e trabalhar numa posição estável.
- Certifique-se de que não pode cair quando utilizar o produto. Não se incline quando operar o produto.
- Segure sempre o produto com ambas as mãos. Segure o punho dianteiro com a mão direita e o punho dianteiro com a mão esquerda. Mantenha o produto do lado direito do seu corpo.
- Se o controlo do estrangulador estiver na posição do estrangulador quando o motor arranca, a corrente começa a rodar.
- Pare o motor antes de mover o produto.
- Não pouse o produto com o motor ligado.
- Antes de remover os materiais indesejados do produto, pare o motor. Deixe a corrente parar antes de o material cortado ser retirado por si ou por um ajudante.
- Não utilize este produto numa árvore. A utilização do produto enquanto se encontra em cima de uma árvore pode resultar em ferimentos pessoais.

(Fig. 23 )

- O travão da corrente tem de estar engatado na altura do arranque do produto, reduzindo assim o risco de a corrente da serra lhe tocar durante o arranque.

(Fig. 24 )

- Evite o retrocesso, a patinagem, a oscilação e a queda, que podem provocar ferimentos graves.
- Cumpra todas as regras de segurança para ajudar a evitar o retrocesso e outras forças que possam resultar em ferimentos graves.
- Ajuste regularmente a tensão da corrente da serra para se certificar de que não está frouxa. Se a corrente da serra estiver frouxa, pode soltar-se e causar ferimentos graves ou mortais.
- Não abata árvores com o procedimento incorreto. Isto pode causar ferimentos pessoais, atingir um cabo de electricidade ou causar danos materiais.
- O operador deve manter-se na parte mais elevada do terreno, pois é provável que a árvore deslize pelo lado inclinado depois de cortada.

(Fig. 25 )

- Planeie e desimpeça um caminho de evacuação antes de iniciar o abate das árvores. O caminho de fuga deverá estender-se para trás e na diagonal até à parte traseira da linha de queda prevista.

(Fig. 26 )

- Pare sempre o motor antes de movimentar o produto entre as árvores.
- Certifique-se de que coloca os seus pés firmemente no solo e distribui o seu peso por igual.

(Fig. 27 )

- Mantenha sempre os pés bem assentes e opere o produto apenas quando se encontrar sobre uma superfície fixa, segura e plana. Superfícies escorregadias ou instáveis, como escadas, podem causar uma perda de equilíbrio ou controlo.

(Fig. 28 )

## Retrocessos, patinagem, oscilação e queda

Diferentes forças podem afetar o controlo em segurança do produto.

- **Patinagem** é quando a lâmina-guia desliza ou se desloca rapidamente ao longo da madeira.
- **Oscilação** é quando a lâmina-guia levanta a madeira e toca várias vezes na mesma.
- **Queda** é quando o produto cai depois de efetuar o corte. Isto pode fazer com que a corrente em movimento entre em contacto com uma parte do corpo ou outros objetos, causando ferimentos ou danos.
- **Retrocesso** é quando a extremidade da lâmina-guia toca nos objetos e se desloca para trás, para cima ou subitamente para a frente. O retrocesso também ocorre quando a madeira fecha e aperta a corrente da serra durante o corte. Pode perder o controlo se o produto tocar num objeto em madeira.

(Fig. 29 )

- O **retrocesso rotativo** pode ocorrer quando a corrente em movimento entra em contacto com um objeto na parte superior da lâmina-guia. Isto pode fazer com que a corrente penetre no objeto, o que a obriga a parar imediatamente. O resultado é uma reação de inversão muito rápida que desloca a lâmina-guia para cima e para trás na direção do operador.

(Fig. 30 )

(Fig. 31 )

- O **retrocesso de aperto** pode ocorrer quando a corrente da serra parar repente durante o corte. A madeira fecha e aperta a corrente em movimento ao longo da parte superior da lâmina-guia. A paragem súbita da corrente inverte a força da corrente e faz com que o produto se movimente na direção oposta à da corrente. O produto desloca-se para trás na direção do operador.

(Fig. 32 )

- Pode ocorrer um **puxão** quando a corrente da serra parar subitamente no momento em que entra em contacto com um objeto estranho na madeira ao longo da parte inferior da lâmina-guia. A paragem súbita puxa o produto para a frente e afasta-o do operador, podendo facilmente causar a perda de controlo do produto pelo operador.

(Fig. 33 )

Antes de utilizar o produto, certifique-se de que compreendeu as diferentes forças e como evitá-las.

## Para evitar retrocessos, patinagens, oscilações e quedas

- Enquanto o motor estiver a trabalhar, certifique-se de que segura firmemente no produto. Coloque a mão direita no punho traseiro e a mão esquerda no punho dianteiro. Segure firmemente nos punhos com os dedos e polegares. Não largue o produto.
- Mantenha o controlo do produto durante o corte e depois de a madeira cair para o solo. Não permita que o peso do produto fique mais folgado depois do corte.(Fig. 34 )
- Certifique-se de que a área de corte não está bloqueada. Não permita que a extremidade da lâmina-guia toque num tronco, num ramo ou em qualquer outro tipo de objeto enquanto utiliza o produto.
- Para cortar, utilize o motor a alta velocidade.
- Não se debruce ou corte acima da altura dos ombros.(Fig. 35 )
- Respeite as instruções do fabricante relativamente à afiação e manutenção da corrente da serra.
- Use apenas as lâminas-guia e as correntes de substituição especificadas pelo fabricante.
- Uma abertura de corte demasiado grande aumenta o risco de retrocesso.

## Equipamento de proteção pessoal

- Utilize sempre equipamento de proteção pessoal adequado durante o funcionamento do produto. O equipamento de proteção pessoal não elimina o risco de ferimentos. O equipamento de proteção pessoal diminui a gravidade dos ferimentos em caso de acidente.
- De um modo geral, as roupas devem assentar bem e não limitar a sua liberdade de movimentos.
- Utilize um capacete de proteção aprovado.
- Utilize sempre proteção auditiva aprovada enquanto opera o produto. A exposição prolongada ao ruído pode causar perda da capacidade auditiva.
- Utilize óculos de proteção ou uma viseira para reduzir o risco de ferimentos causados por objetos projetados. O produto pode projetar objetos, tais como serradura, pequenos pedaços de madeira etc., com muita força. Isso pode causar ferimentos graves, especialmente nos olhos.
- Utilize luvas com proteção para trabalhos com motosserra.
- Utilize calças com proteção para trabalhos com motosserra.
- Utilize botas com proteção para trabalhos com motosserra, biqueira de aço e sola antiderrapante.
- Certifique-se de que tem um kit de primeiros socorros por perto.
- O silenciador, a lâmina-guia, a corrente da serra ou qualquer outra fonte podem emitir faíscas. Tenha sempre à mão utensílios de extinção de incêndios e uma pá para ajudar a evitar incêndios florestais.



## Dispositivos de proteção no produto

- Certifique-se de que realiza regularmente tarefas de manutenção do produto.
  - A vida útil do produto é aumentada.
  - O risco de acidentes é reduzido.
- Leve regularmente o produto a um concessionário autorizado ou a um centro de assistência autorizado para que o examinem e realizem ajustes ou reparações.
- Não utilize o produto com equipamento de proteção danificado. Se o produto estiver danificado, fale com um centro de assistência autorizado.

### Interruptor de paragem

Ligue o motor. Certifique-se de que o motor para quando move o interruptor de paragem para a posição de paragem.

### Para examinar o bloqueio do acelerador

1. Certifique-se de que o acelerador (B) está bloqueado na posição de ralenti quando soltar o bloqueio do acelerador (A). (Fig. 36 )
2. Pressione o bloqueio do acionador (A) e certifique-se de que este regressa à sua posição inicial quando libertado.
3. Pressione o acionador (B) e certifique-se de que este regressa à sua posição inicial quando libertado.
4. Ligue o motor e, em seguida, aplique a velocidade máxima.
5. Solte o acionador e observe se a corrente para.
6. Se a corrente rodar com o motor ao ralenti, examine o parafuso de ajuste de ralenti do carburador.

### Proteção

A proteção evita que os objetos sejam ejetados na direção do operador. A proteção também evita toques acidentais entre o operador e a corrente.

- Certifique-se de que a proteção permite o funcionamento em combinação com o produto.
- Não utilize o produto sem a proteção.
- Certifique-se de que a proteção não está danificada. Substitua a proteção se estiver gasta ou com fissuras.

### Segurança no manuseamento do combustível

- Não ligue o produto se houver combustível ou óleo do motor sobre o produto. Remova o combustível/ óleo indesejado e deixe o produto secar. Remova o combustível indesejado do produto.
- Se derramar combustível na sua roupa, troque de roupa imediatamente.
- Não deixe que o combustível entre em contacto com o seu corpo, pois pode causar ferimentos. Se o

combustível entrar em contacto com o seu corpo, use sabão e água para o remover.

- Não ligue o motor se derramar óleo ou combustível no produto ou no seu corpo.
- Não ligue o produto se o motor tiver uma fuga. Examine regularmente o motor quanto a fugas.
- Tenha cuidado com o combustível. O combustível é inflamável e os gases são explosivos e podem causar ferimentos ou morte.
- Não respire os gases do combustível, podem causar ferimentos. Certifique-se de que existe um fluxo de ar suficiente.
- Não fume perto de combustível ou do motor.
- Não coloque objetos quentes perto do combustível ou do motor.
- Não acrescente combustível com o motor em funcionamento.
- Certifique-se de que o motor está frio antes de reabastecer.
- Antes de reabastecer, abra lentamente a tampa do depósito de combustível e liberte a pressão com cuidado.
- Não adicione combustível ao motor numa área interior. O fluxo de ar insuficiente pode causar ferimentos ou morte devido a asfixia ou monóxido de carbono.
- Aperte a tampa do depósito de combustível com cuidado ou pode ocorrer um incêndio.
- Desloque o produto a uma distância mínima de 3 m (10 pés) da posição onde abasteceu o depósito antes de começar.
- Não encha demasiado o depósito de combustível.
- Certifique-se de que não ocorrem fugas quando desloca o produto ou o recipiente de combustível.
- Não coloque o produto ou um recipiente de combustível onde houver uma chama aberta, faísca ou luz piloto. Certifique-se de que a área de armazenamento não contém uma chama aberta.
- Utilize apenas recipientes aprovados quando deslocar ou armazenar o combustível.
- Esvazie o depósito de combustível antes do armazenamento a longo prazo. Respeite a legislação local sobre a eliminação de combustível.
- Limpe o produto antes do armazenamento a longo prazo.
- Remova o cabo de vela de ignição antes de armazenar o produto, para se certificar de que o motor não arranca acidentalmente.

### Instruções de segurança para manutenção

- Desligue a vela de ignição antes de efetuar a manutenção do produto, não incluindo os ajustes do carburador.
- Toda a manutenção do produto deve ser efetuada por um revendedor aprovado, não incluindo as tarefas em *MANUTENÇÃO na página 293*.

- Certifique-se de que a corrente da serra para quando o acelerador é libertado.
- Mantenha os punhos secos, limpos e livres de óleo ou mistura de combustível.
- Mantenha as tampas e os fixadores bem apertados.
- Os componentes de substituição não aprovados ou a remoção dos dispositivos de segurança pode causar danos no produto. Isto também pode causar ferimentos no utilizador ou noutras pessoas. Utilize apenas os acessórios e peças de substituição recomendados. Não altere o seu produto.
- Mantenha a corrente afiada e limpa para um desempenho seguro e elevado.
- Cumpra as instruções para a lubrificação e substituição dos acessórios.
- Examine o produto quanto a peças danificadas. Antes de voltar a utilizar o produto, certifique-se de que a proteção ou peça danificada funciona

- corretamente. Verifique se existem peças partidas ou incorretamente alinhadas e peças que não se movem livremente. Verifique se existem outras condições que possam afetar o funcionamento do produto. Certifique-se de que o produto está corretamente instalado. Uma proteção ou qualquer outra peça danificada deve ser reparada ou substituída por um revendedor aprovado, exceto se indicado em contrário no manual do utilizador.
- Quando não estiver a ser utilizado, guarde o produto num local seco e protegido, a uma altura considerável e longe do alcance das crianças.
- Durante o transporte ou armazenamento do produto, utilize uma cobertura para a lâmina-guia ou uma caixa para poder transportar o produto.
- Não utilize o óleo usado. O óleo usado pode ser perigoso para si e pode causar danos no produto e no ambiente.

---

## MONTAGEM

---



**ATENÇÃO:** Certifique-se de que lê e compreende o capítulo sobre segurança antes de montar o produto.

### Para montar a lâmina-guia e a corrente da serra

1. Mova a proteção dianteira para a mão na direção do punho dianteiro para desengatar o travão da corrente.
2. Rode o manípulo para fora para a posição aberta. (Fig. 37 )
3. Rode o manípulo para a esquerda para desapertar a cobertura da lâmina.(Fig. 38 )
4. Retire o manípulo (A) e a cobertura do pinhão. Retire a proteção para transporte, se instalada. (Fig. 39 )
5. Coloque a lâmina-guia sobre os respetivos parafusos. Oriente a lâmina-guia até à sua posição mais traseira. Coloque a corrente por cima do pinhão e engate-a na ranhura da lâmina-guia. Comece pela extremidade superior da lâmina-guia. (Fig. 40 )
6. Certifique-se de que as extremidades das ligações de corte estão viradas para a frente na extremidade superior da lâmina-guia.
7. Monte a cobertura do pinhão e oriente o pino de ajuste da corrente até ao orifício da lâmina-guia. Certifique-se de que os elos de acionamento da corrente encaixam corretamente no pinhão. Certifique-se também de que a corrente da serra está bem encaixada na ranhura da lâmina-guia. (Fig. 41 )
8. Aperte a corrente da serra rodando a roda para baixo (+). Aperte a corrente até que deixe de estar frouxa na parte inferior da lâmina-guia. (Fig. 42 )

9. A corrente da serra está corretamente apertada quando não está frouxa na parte inferior da lâmina-guia, mas sendo ainda possível rodá-la facilmente com a mão.
10. Segure a ponta da lâmina-guia e rode o manípulo para a direita para o apertar. (Fig. 43 )
  - Examine regularmente a tensão da corrente depois de montar uma nova e até a colocar em funcionamento.
  - Examine regularmente a tensão da corrente. A tensão correta da corrente proporciona um excelente desempenho de corte e uma vida útil prolongada.

### Para repor o travão da corrente

Se a cobertura da embraiagem for retirada acidentalmente enquanto o travão da corrente está bloqueado, é necessário desbloquear o travão da corrente de forma a que a cobertura da embraiagem possa ser montada sem prender ao tambor da embraiagem.



**CUIDADO:** A mola do travão da corrente está sob pressão. Tenha cuidado ao repor o travão da corrente.

**Nota:** Não segure a faixa do travão durante a tentativa de reposição.

1. Alinhe os entalhes da ferramenta da lâmina para que estes encaixem na ligação rotativa do travão. (Fig. 44 )
2. Para repor o travão, rode a ligação para a direita até parar. A ligação dianteira estará na posição rodada para baixo quando o travão da corrente está desbloqueado.(Fig. 45 )(Fig. 46 )

# UTILIZAÇÃO



**ATENÇÃO:** Certifique-se de que lê e compreende o capítulo sobre segurança antes de operar o produto.



**CUIDADO:** Utilize sempre óleo de motor de 2 tempos refrigerado a ar e de elevada qualidade. A utilização de outros óleos pode causar danos no produto.

## Utilizar combustível



**CUIDADO:** Este produto tem um motor de dois tempos. Utilize uma mistura de gasolina e óleo de motor de dois tempos. Certifique-se de utilizar a quantidade correta de óleo na mistura. A relação incorreta de gasolina e óleo pode causar danos ao motor.

## Proporção da mistura de combustível.

A proporção da mistura de combustível constituída por gasolina e óleo de motor de 2 tempos é de 50:1 (2%)

Gasolina	Óleo de motor de dois tempos
1 gal (EUA)	77 ml (2,6 oz)
1 gal (Reino Unido)	95 ml (3,2 oz)
5 l	100 ml (3,4 oz)

## Preparar a mistura de combustível

- Determine a quantidade correta de gasolina e óleo de motor (proporção da mistura de 50:1). Não prepare uma quantidade de mistura de combustível para mais de 30 dias. Consulte o capítulo *Utilizar combustível na página 291*.
- Adicione metade da quantidade de gasolina a um recipiente de combustível limpo com uma proteção contra enchimento excessivo.



**CUIDADO:** Não utilize gasolina com mais de 10% de concentração de etanol (E10). Caso contrário, pode causar danos no produto.



**CUIDADO:** Não utilize gasolina com um índice de octanas inferior a 90 RON (87 AKI). Caso contrário, pode causar danos no produto.

**Nota:** Utilize gasolina com um índice de octanas superior se costumar utilizar o produto a uma velocidade do motor continuamente elevada.

- Adicione a quantidade total do óleo do motor de 2 tempos ao recipiente de combustível.

- Agite a mistura de combustível para misturar o conteúdo.
- Adicione a quantidade restante de gasolina ao recipiente de combustível.
- Agite a mistura de combustível para misturar o conteúdo.
- Encha o depósito de combustível do produto com a mistura de combustível. Consulte o capítulo *Utilizar combustível na página 291*.

## Para encher o depósito de combustível

- Certifique-se de que a mistura de combustível é a correta e de que se encontra num recipiente de combustível com proteção contra enchimento excessivo.
- Se já houver algum combustível no recipiente, retire o combustível indesejado e deixe o recipiente secar.
- Certifique-se de que a área perto da tampa do depósito de combustível está limpa.
- Retire a tampa do depósito de combustível.
- Agite o recipiente de combustível antes de adicionar a mistura de combustível ao depósito de combustível.
- Volte a colocar a tampa do depósito de combustível.

## Para lubrificar a corrente da serra

O produto tem um sistema de lubrificação automática. O depósito do óleo da corrente e o depósito de combustível estão dimensionados de modo ao combustível acabar antes do óleo de corrente. Esta funcionalidade de segurança requer que seja utilizado óleo da corrente correto e que as instruções sejam cumpridas.

- Utilize óleo de corrente de base vegetal ou óleo de corrente normal.
- Certifique-se de que a área junto à tampa do depósito de óleo da corrente está limpa.
- Retire a tampa do depósito de óleo da corrente da serra.
- Encha o depósito do óleo de corrente com o tipo de óleo recomendado.
- Volte a colocar a tampa do depósito de óleo da corrente.

## Ligar e desligar

### Antes de ligar o motor

- Examine o produto quanto a peças em falta, danificadas, soltas ou desgastadas.
- Examine as porcas e os parafusos.
- Examine o filtro de ar.
- Examine se o bloqueio do acionador e o próprio acionador estão a funcionar corretamente.
- Examine se o interruptor de paragem está a funcionar corretamente.
- Examine o produto quanto a fugas de combustível.
- Examine se a corrente da serra está afiada e esticada.

### Arrancar com o motor frio

1. Mova para a frente a proteção dianteira para a mão para engatar o travão da corrente. (Fig. 47 )
2. Empurre a bomba de combustível 6 vezes. (Fig. 48 )
3. Desloque o controlo do estrangulador para a posição de estrangulação total. (Fig. 49 )
4. Apoie o corpo do produto contra o solo com a mão esquerda. Coloque o pé direito no punho traseiro para estabilizar a motosserra. Puxe o punho do cabo de arranque lentamente até sentir alguma resistência. Em seguida, puxe o punho do cabo de arranque 5 vezes com força. (Fig. 50 )

**Nota:** Não puxe o acionador enquanto liga o motor.

5. Desloque o controlo do estrangulador para a posição de estrangulação.
6. Puxe o punho do cabo de arranque até que o motor arranque. Aguarde 60 segundos depois de um arranque antes de puxar o acionador.



**CUIDADO:** Não puxe o cabo de arranque até que pare. Não largue o cabo de arranque quando estiver totalmente estendido. Solte o cabo de arranque lentamente. Siga estas instruções para evitar causar danos ao motor.

7. Puxe a proteção dianteira para a mão na direção do punho dianteiro para desengatar o travão da corrente.
8. Segure o punho traseiro com a mão direita e o punho dianteiro com a mão esquerda.
9. Utilize o produto.

### Arranque com o motor quente

1. Mova para a frente a proteção dianteira para a mão para engatar o travão da corrente.
2. Empurre a bomba de combustível 6 vezes.
3. Desloque o controlo do estrangulador para a posição de estrangulação total.

4. Desloque o controlo do estrangulador para a posição de estrangulação.
5. Apoie o corpo do produto contra o solo com a mão esquerda. Coloque o pé direito no punho traseiro para estabilizar a motosserra. Puxe o punho do cabo de arranque lentamente até sentir alguma resistência. Em seguida, puxe o punho do cabo de arranque com força até que o motor arranque. (Fig. 51 )

**Nota:** Não puxe o acionador enquanto liga o motor.



**CUIDADO:** Não puxe o cabo de arranque até que pare. Não largue o cabo de arranque quando estiver totalmente estendido. Solte o cabo de arranque lentamente. Siga estas instruções para evitar causar danos ao motor.

6. Puxe a proteção dianteira para a mão na direção do punho dianteiro para desengatar o travão da corrente.
7. Segure o punho traseiro com a mão direita e o punho dianteiro com a mão esquerda.
8. Utilize o produto.

### Para arrancar o motor quando o combustível está demasiado quente

Se o produto não arranque, o combustível pode estar demasiado quente.

**Nota:** Utilize sempre combustível novo e reduza as horas de funcionamento durante o tempo quente.

1. Coloque o produto num local fresco sem exposição à luz solar direta.
2. Deixe o produto arrefecer durante, no mínimo, 20 minutos.
3. Prima novamente a bomba de combustível durante 10-15 segundos.
4. Siga o procedimento de arranque a frio. Consulte o capítulo *Arrancar com o motor frio na página 292*.

### Para parar o motor

- Empurre o interruptor de paragem para parar o motor.

**Nota:** O interruptor de paragem regressa automaticamente à sua posição inicial.

### Para utilizar um apoio para casca

O apoio para casca evita o retrocesso e retém a madeira à medida que a corta. O apoio para casca é uma articulação entre o corpo do motor e a lâmina-guia.

1. Coloque a extremidade inferior do apoio para casca à largura correta das dobradiças.

- Exerça pressão, com a mão esquerda, contra o punho dianteiro enquanto levanta o punho traseiro com a mão direita.
- Serre até conseguir obter a largura correta das dobradiças.

---

**Nota:** A dobradiça deve ter a mesma espessura.

---

- Serre mais de metade do diâmetro e, em seguida, coloque a cunha de abate no corte de serra.

## Para abater uma árvore

- Remova a sujidade, pedras, cascas soltas, pregos, grampos e cabos da árvore.
- Faça um entalhe com 1/3 do diâmetro da árvore, perpendicular à direção da queda.(Fig. 52 )
- Corte o entalhe na horizontal na parte inferior. Isto evita que a corrente da serra ou a lâmina-guia fiquem presas quando o segundo entalhe é feito.
- Faça o corte de abate na parte de trás (X), pelo menos, 50 mm (2 pol.) acima do corte de entalhe horizontal. Mantenha o corte de abate na parte de trás paralelo ao corte de entalhe horizontal para deixar quantidade de madeira suficiente para formar uma dobradiça. Não corte através da dobradiça. A dobradiça da madeira impede a árvore de rodar e cair na direção errada.(Fig. 53 )(Fig. 54 )
- Uma vez que o corte de abate na parte de trás está próximo da dobradiça, a árvore começa a cair. Certifique-se de que a árvore cai na direção certa e não balança para trás, nem prende a corrente da serra. Para evitar esta situação, pare de cortar antes de o corte de abate estar concluído na parte de trás. Utilize cunhas de madeira, plástico ou alumínio para abrir o corte e deixar a árvore cair ao longo da linha de queda necessária.(Fig. 55 )
- Quando a árvore começar a cair, retire o produto do corte, desligue o motor, pouso o produto e, em seguida, utilize o percurso de retirada planejado.

Esteja atento à queda de ramos e tenha em atenção onde coloca os pés.(Fig. 56 )

## Para cortar os ramos de uma árvore

- Use os ramos maiores para apoiar a árvore que foi abatida.
- Retire ramos pequenos com um corte.(Fig. 57 )
- Corte os ramos sob tensão, de baixo para cima, para evitar que a motosserra ou a lâmina-guia fiquem presas.

## Para fazer um corte transversal num tronco



**CUIDADO:** Não permita que a motosserra entre em contacto com o solo.

- Se o tronco estiver apoiado em todo o seu comprimento, corte a partir da parte superior do tronco (também designado por corte transversal descendente).(Fig. 58 )
- Se o tronco estiver apoiado numa extremidade, corte 1/3 do diâmetro a partir da parte inferior do tronco (também designado por corte transversal ascendente).(Fig. 59 )
- Se o tronco estiver apoiado em ambas as extremidades, corte 1/3 do diâmetro a partir da parte superior. Conclua o corte fazendo um corte transversal ascendente nos 2/3 inferiores do tronco até alcançar o primeiro corte.(Fig. 60 )
- Ao fazer um corte transversal num tronco quando se encontrar num declive, permaneça sempre na parte mais elevada do tronco. Corte através do tronco enquanto mantém controlo total sobre o produto e, em seguida, liberte a pressão de corte junto da extremidade do corte enquanto segura firmemente o punho traseiro e dianteiro.(Fig. 61 )

---

## MANUTENÇÃO

---



**ATENÇÃO:** Certifique-se de que leu e compreendeu o capítulo sobre segurança antes de limpar, reparar ou realizar tarefas de manutenção no produto.

## Esquema de manutenção

Certifique-se de que respeita o esquema de manutenção. Os intervalos são calculados a partir da utilização diária do produto. Os intervalos são diferentes se não utilizar o produto diariamente. Realize apenas tarefas de manutenção descritas neste manual. Fale com um centro de assistência autorizado sobre outras tarefas de manutenção não descritas neste manual.

## Controle diário

- Limpe as superfícies externas.
- Certifique-se de que o bloqueio e o acelerador funcionam corretamente.
- Limpe o travão da corrente e certifique-se de que funciona corretamente.

(Fig. 62 )

- Examine o retentor de corrente quanto a danos. Substitua o retentor de corrente, caso esteja danificado.

(Fig. 63 )

- Rode diariamente a lâmina-guia para um desgaste mais uniforme.

- Certifique-se de que o orifício de lubrificação da lâmina-guia não está obstruído.

(Fig. 64 )

- Limpe a ranhura da lâmina-guia.

(Fig. 65 )

- Certifique-se de que a lâmina-guia e a corrente da serra recebem óleo suficiente.
- Examine a corrente da serra:
  - quanto a fissuras nos rebites e nos elos.
  - quanto a rebites e elos com desgaste anormal.
  - quanto à tensão correta.

Se necessário, substitua a corrente da serra.

- Afie a corrente da serra. Consulte o capítulo *Para afiar a corrente da serra na página 295*.
- Verifique se o pinhão não apresenta danos excessivos e substitua-o se necessário.

(Fig. 66 )

- Limpe a admissão de ar da unidade de arranque.
- Certifique-se de que as porcas e os parafusos estão apertados.
- Certifique-se de que o interruptor de paragem funciona corretamente.
- Examine o motor, o depósito e os tubos de combustível quanto a fugas de combustível.
- Certifique-se de que a corrente da serra não roda quando o motor está ao ralenti.

## Controle semanal

- Certifique-se de que o sistema de arrefecimento funciona corretamente.
- Certifique-se de que o motor de arranque, o cabo de arranque e a mola de retorno funcionam corretamente.
- Certifique-se de que os elementos antivibração não estão danificados.

(Fig. 67 )

- Remova com a lima quaisquer rebarbas das extremidades da lâmina-guia.
- Limpe ou substitua a rede retentora de faíscas do silenciador.

(Fig. 68 )

- Limpe as superfícies externas do carburador e áreas adjacentes.
- Limpe o filtro de ar. Instale um novo filtro de ar caso esteja danificado ou demasiado sujo para ser completamente limpo. Consulte *Para limpar o filtro de ar na página 295* para mais informações.

## Manutenção mensal

- Examine a faixa do travão da corrente quanto ao desgaste. Substitua quando a espessura da faixa do travão for inferior a 0,6 mm (0,024 pol.) no ponto de maior desgaste.

(Fig. 69 )

- Verifique o desgaste no centro, no tambor e na mola da embraiagem.
- Limpe a vela de ignição. Certifique-se de que a distância entre os eléctrodos está correta.

(Fig. 70 )

- Limpe as superfícies externas do carburador e áreas adjacentes.
- Examine o filtro e a mangueira de combustível. Proceda à substituição, se necessário.
- Esvazie o depósito de combustível.
- Esvazie o depósito de óleo.
- Examine todos os cabos e ligações.

## Manutenção anual

- Examine a vela de ignição.
- Limpe as superfícies externas do carburador e áreas adjacentes.
- Limpe o sistema de arrefecimento.
- Examine a rede retentora de faíscas.
- Examine o filtro de combustível.
- Examine a mangueira de combustível quanto a danos.
- Examine todos os cabos e ligações.

## Manutenção intermitente

- Leve o silenciador a um centro de assistência autorizado para reparação ou substitua-o após 50 horas de funcionamento.
- Efetue a manutenção na vela de ignição quando:
  - o nível de potência no motor for baixo.
  - for difícil arrancar o motor.
  - o motor não funcionar corretamente ao ralenti.
- Verifique a lubrificação da corrente sempre que reabastecer. Consulte o capítulo *Para verificar a lubrificação da corrente da serra na página 296*.

## Ajustar o ralenti

Certifique-se de que o filtro de ar está limpo e que a cobertura do filtro de ar está montada antes de ajustar a velocidade de ralenti.

1. Rode o parafuso de ajuste ao ralenti, identificado com um "T", para a direita até a corrente da serra começar a rodar.
2. Rode o parafuso de ajuste ao ralenti, identificado com um "T", no sentido anti-horário até que a corrente da serra pare.
3. O ralenti tem de ser inferior à velocidade em que a corrente da serra começa a rodar. O ralenti está correto se o motor funcionar suavemente em todas as posições.

## Para limpar a rede retentora de faíscas

1. Utilize uma escova metálica para limpar a rede retentora de faíscas.

## Para efetuar a manutenção da vela de ignição



**CUIDADO:** Utilize a vela de ignição recomendada. Certifique-se de que a peça de substituição é idêntica à peça fornecida pelo fabricante. Uma vela de ignição incorreta pode causar danos ao produto.

1. Se não for fácil ligar ou utilizar o produto, examine a vela de ignição quanto a materiais indesejados. Para diminuir o risco de materiais indesejados nos eletrodos da vela de ignição:
  - a) certifique-se de que o ralenti está corretamente ajustado.
  - b) certifique-se de que a mistura de combustível está correta.
  - c) certifique-se de que o filtro de ar está limpo.
2. Limpe a vela de ignição se estiver suja. Certifique-se de que a distância entre os eletrodos está correta. (Fig. 71)
3. Substitua a vela de ignição quando necessário.

## Para limpar o filtro de ar

1. Retire a cobertura do filtro de ar e o filtro de ar.
2. Limpe o filtro de ar com água quente com sabão. Certifique-se de que o filtro de ar está seco antes de o instalar.
3. Substitua o filtro de ar caso esteja demasiado sujo para o limpar totalmente. Substitua sempre um filtro de ar danificado.

## Para afiar a corrente da serra

### A cortadora

O componente cortante da corrente da serra chama-se cortador, e é composto pelo dente de corte (A) e pela abertura de corte (B). A diferença em altura entre os dois componentes determina a profundidade de corte da cortadora, a definição de abertura de corte (C).

(Fig. 72)

Ao afiar o dente de corte, há quatro fatores importantes a considerar:

- Ângulo de afiação.

(Fig. 73)

- Ângulo de corte.

(Fig. 74)

- Posição da lima.

(Fig. 75)

- Diâmetro da lima redonda.

(Fig. 76)

## Para afiar os dentes de corte

Utilize uma lima redonda e um calibrador de lima para afiar os dentes de corte. Consulte *Calibração e combinações da corrente da serra na página 298* para obter mais informações sobre a dimensão recomendada da lima e do calibrador para a corrente da serra instalada no seu produto.

1. Certifique-se de que a corrente da serra está corretamente esticada. Uma corrente insuficientemente esticada, torna-se instável no sentido transversal, o que dificulta a sua afiação correcta.
2. Lime todos os dentes de um lado primeiro. Depois, lime os dentes de corte a partir da face interior e diminua a pressão no movimento de retorno.
3. Vire o produto e lime os dentes do outro lado.
4. Lime de modo que todos os dentes tenham o mesmo tamanho. Quando restarem apenas 4 mm (5/32") do comprimento dos dentes de corte, considera-se que a corrente da serra está gasta e tem de ser substituída.(Fig. 77)

## Para ajustar a definição da abertura de corte

Afie os dentes de corte antes de ajustar a definição de abertura de corte. Consulte o capítulo *Para afiar os dentes de corte na página 295*. Quando se afia o dente de corte (A), a definição de abertura de corte (C) diminui. Para manter um desempenho de corte ideal, a abertura de corte (B) tem de ser limada para alcançar a definição de abertura de corte recomendada. Consulte *Calibração e combinações da corrente da serra na página 298* para saber qual a definição de abertura de corte correta para a sua corrente em específico. (Fig. 78)  
(Fig. 79)

**Nota:** Esta recomendação pressupõe que o comprimento dos dentes de corte não foi limado demais.

Utilize uma lima plana e uma ferramenta de abertura de corte para ajustar a abertura de corte.

1. Coloque a ferramenta de abertura de corte acima da corrente da serra. Para obter informações detalhadas sobre a utilização da ferramenta de abertura de corte, consulte a respetiva embalagem.
2. Use a lima plana para eliminar a parte excedente do salto da abertura de corte. A abertura de corte será correcta quando não se sentir resistência ao passar a lima sobre o calibrador.

## Para esticar a corrente da serra

**Nota:** Verifique regularmente a tensão de uma nova corrente da serra durante o respetivo período de funcionamento.

1. Desaperte as porcas da lâmina-guia que fixam a cobertura do pinhão. Utilize a chave de combinação. (Fig. 80 )
  2. Aperte manualmente as porcas da lâmina-guia, o mais apertado que conseguir.
  3. Levante a parte superior da lâmina-guia e estique a corrente da serra, apertando o parafuso esticador da corrente. Utilize a chave de combinação. Aperte a corrente da serra até que deixe de estar frouxa na parte inferior da lâmina-guia. (Fig. 81 )
  4. Aperte as porcas da lâmina-guia com a chave de combinação e levante simultaneamente a ponta da lâmina-guia. (Fig. 82 )
  5. Certifique-se de que pode puxar livremente a corrente da serra com a mão e de que esta não fica frouxa.(Fig. 83 )
1. Acione o produto e deixe-o a trabalhar em 3/4 da velocidade. Aponte a extremidade dianteira da lâmina-guia para uma superfície de cor clara a cerca de 20 cm (8 pol.) de distância.
  2. Depois de estar a trabalhar durante 1 minuto, surge uma linha de óleo na superfície clara.
  3. Se não conseguir visualizar a linha de óleo após 1 minuto, limpe o canal do óleo na lâmina-guia. Limpe a ranhura na extremidade da lâmina-guia. Certifique-se de que a roda frontal da lâmina-guia roda livremente e de que não há obstruções no orifício de lubrificação. Limpe e lubrifique a ponta do pinhão.
  4. Acione o produto e deixe-o a trabalhar em 3/4 da velocidade. Aponte a extremidade dianteira da lâmina para uma superfície de cor clara a cerca de 20 cm (8 pol.) de distância.
  5. Depois de estar a trabalhar durante 1 minuto, surge uma linha de óleo na superfície clara.
  6. Se não conseguir visualizar a linha de óleo após 1 minuto, contacte o revendedor aprovado.

## Para lubrificar o equipamento de corte

### Para verificar a lubrificação da corrente da serra

Verifique a lubrificação da corrente da serra sempre que reabastecer.

---

## TRANSPORTE

---

- Antes de proceder ao transporte, esvazie os depósitos de combustível e óleo de corrente. Elimine corretamente os fluidos utilizados.
- Durante o transporte, coloque a cobertura da lâmina-guia no equipamento de corte. Isto evita que as pessoas entrem acidentalmente em contacto com a corrente afiada da serra. Uma corrente de serra que não está em funcionamento pode provocar graves ferimentos no utilizador ou em terceiros que entrem em contacto com a corrente afiada.
- Remova a cobertura da vela de ignição e engate o travão da corrente antes de efetuar o transporte.
- Certifique-se de que o produto não pode mover-se durante o transporte.

---

## ARMAZENAMENTO

---

- Guarde sempre o produto num local seguro quando não estiver em funcionamento. Fugas e fumos expelidos pelo produto podem entrar em contacto com faíscas, chamas desprotegidas do equipamento elétrico, do corta-relva elétrico, de relés/ interruptores, de caldeiras, entre outros.
- Guarde sempre algum combustível num recipiente aprovado.
- Esvazie o combustível e os depósitos de óleo de corrente quando o produto estiver armazenado durante períodos de tempo mais alargados. Elimine corretamente os fluidos utilizados.
- Durante o armazenamento, coloque a cobertura da lâmina-guia na lâmina-guia. Isto evita que qualquer pessoa toque acidentalmente na corrente afiada da serra. Uma corrente de serra que não está em funcionamento pode provocar graves ferimentos no utilizador ou em terceiros que entrem em contacto com a corrente afiada.
- Remova a cobertura da vela de ignição e engate o travão da corrente antes do armazenamento.

---

## ESPECIFICAÇÕES TÉCNICAS

---

	<b>unidade</b>	<b>120 Mark II (P02138HV)</b>
<b>Designação do motor</b>		
Cilindrada	cm <sup>3</sup>	38



	<b>unidade</b>	<b>120 Mark II (P02138HV)</b>
Vela de ignição		Champion RCJ7Y
Distância entre os eléctrodos	mm (pol.)	0,5 (0,02)
Volume do depósito de combustível	cm <sup>3</sup>	300
Rotação em vazio	mín <sup>-1</sup>	2800-3200
Potência de saída a 9000 min <sup>-1</sup>	kW	1,4
Período de durabilidade das emissões	h	50
<b>Dados de ruído e vibração</b>		
Níveis de vibração equivalentes, um punho dianteiro $h_{veq}^{96}$	m/s <sup>2</sup>	4,5
Níveis de vibração equivalentes, um punho traseiro $h_{veq}^{97}$	m/s <sup>2</sup>	6,0
Nível de potência sonora, garantido ( $L_{WA}$ ) <sup>98</sup>	dB(A)	116
Nível de potência sonora, medido <sup>99</sup>	dB(A)	110
Nível de pressão sonora junto ao ouvido do utilizador <sup>100</sup>	dB(A)	95
<b>Dimensões do produto</b>		
Peso (sem equipamento de corte)	kg	4,9
Volume do depósito de óleo	cm <sup>3</sup>	200
<b>Sistema de lubrificação e combustível</b>		
Capacidade da bomba de óleo em 9000 min <sup>-1</sup>	ml/min	7
Volume do depósito de óleo	cm <sup>3</sup>	200
Tipo de bomba de óleo		Automático
<b>Corrente da serra e lâmina-guia</b>		
Comprimento padrão da lâmina-guia	cm (pol.)	35-40 (14-16)
Comprimentos da lâmina recomendados	cm (pol.)	35-45 (14-18)
Comprimento de corte efetivo	cm (pol.)	34-39 (13,5-15,5)
Velocidade máxima da corrente da serra	m/s	22,3
Passo da corrente da serra	mm (pol.)	8,3 (0,325)
		9,52 (3/8)

<sup>96</sup> O nível de vibrações equivalente, segundo a norma ISO 22867, é calculado como a soma energética dos níveis de vibração ponderados no tempo, em diferentes condições de funcionamento. Os dados comunicados relativamente ao nível de vibração equivalente têm uma dispersão estatística típica (desvio padrão) de 1 m/s<sup>2</sup>.

<sup>97</sup> O nível de vibrações equivalente, segundo a norma ISO 22867, é calculado como a soma energética dos níveis de vibração ponderados no tempo, em diferentes condições de funcionamento. Os dados comunicados relativamente ao nível de vibração equivalente têm uma dispersão estatística típica (desvio padrão) de 1 m/s<sup>2</sup>.

<sup>98</sup> Emissões de ruído para as imediações, medidas sob forma de potência sonora ( $L_{WA}$ ).

<sup>99</sup> Emissões de ruído para as imediações, medidas sob forma de potência sonora ( $L_{WA}$ ).

<sup>100</sup> O nível de pressão sonora equivalente é calculado como a soma energética dos diferentes níveis de pressão sonora ponderados no tempo, em diferentes condições de funcionamento. A dispersão estatística típica de pressão sonora equivalente é um desvio padrão de 1 dB(A).

	<b>unidade</b>	<b>120 Mark II (P02138HV)</b>
Espessura dos elos de acionamento (dispositivo de medição)	mm (pol.)	1,3 (0,05)
Tipo de pinhão		Roda dentada
Número de dentes do pinhão		6 (pinhão 3/8) 7 (pinhão 0,325)

## ACESSÓRIOS

### Combinações de lâminas-guia e correntes da serra

Os acessórios de corte indicados abaixo são aprovados para o produto.

Barra guia				Corrente da serra	
Comprimento, cm (pol.)	Passo, mm (pol.)	Corte, mm (pol.)	Raio máx. da extremidade	Tipo	Comprimento, elementos de acionamento (qtd.)
33 (13)	8,25 (0.325)	1,3 (0.050)	10T	Husqvarna H30	56
38 (15)	8,25 (0.325)				64
35 (14)	9,52 (3/8)		7T	Husqvarna H37	52
40 (16)	9,52 (3/8)				56
45 (18)	9,52 (3/8)				62

### Calibração e combinações da corrente da serra

Corrente da serra					
Tipo de corrente	Tamanho da lima redonda	Ângulo da placa lateral	Ângulo da placa superior	Ângulo da guia de lima	Definição de abertura de corte
H30	3/16 pol./4,8 mm	60°	30°	10°	0,025 pol./ 0,65 mm
H37	5/32 pol./4,0 mm	60°	30°	0°	0,025 pol./ 0,65 mm

## CONTEÚDO DA DECLARAÇÃO DE CONFORMIDADE DA UE

A Husqvarna AB, SE 561 82 Huskvarna, SUÉCIA, declara, sob sua inteira responsabilidade, que o produto representado:

<b>Descrição</b>	<b>Motoserra a gasolina</b>
Marca	Husqvarna

<b>Descrição</b>	<b>Motosserra a gasolina</b>
Plataforma/Tipo/Modelo	Plataforma P02138HV, representando o modelo 120 Mark II
Lote	Número de série referente a 2018 e posteriores

está em plena conformidade com as seguintes diretivas e regulamentos da UE:

<b>Diretiva/Regulamento</b>	<b>Descrição</b>
2006/42/CE	"relativa a máquinas"
2014/30/UE	"relativa à compatibilidade eletromagnética"
2000/14/CE	"relativa ao ruído exterior"

As normas harmonizadas e/ou especificações técnicas aplicadas são as que se seguem: EN ISO 12100, EN ISO 11681-1, CISPR 12, ISO 14982

Em conformidade com a Diretiva 2000/14/CE, Anexo V, os valores de som declarados são indicados na secção de especificações técnicas deste manual e na Declaração de conformidade da CE assinada.

TÜV Rheinland LGA Products GmbH, Entidade competente relativamente a máquinas (notificada de acordo com 0197), Tillystraße 2 - 90431 Nürnberg, Alemanha, realizou o exame de tipo CE em conformidade com a diretiva 2006/42/CE, artigo 12, ponto 3b.

O certificado para o exame de tipo, de acordo com o anexo IX e conforme fornecido na Declaração de Conformidade assinada, é aplicável a todos os locais de fabrico e países de origem, conforme indicado no produto.

A motosserra está conformidade com o exemplo que foi examinado pela CE relativamente ao tipo.

---

## CUPRINS

---

INTRODUCERE.....	300	TRANSPORTUL.....	311
SIGURANȚĂ.....	301	DEPOZITAREA.....	311
ASAMBLAREA.....	305	DATE TEHNICE.....	311
FUNCȚIONAREA.....	306	ACCESORII.....	313
ÎNȚREȚINEREA.....	308	CONȚINUTUL DECLARAȚIEI DE CONFORMITATE CE.....	313

---

## INTRODUCERE

---

### Manualul operatorului

Limba originală a acestui manual al operatorului este engleză. Manualele operatorului în alte limbi reprezintă traduceri din limba engleză.

### Prezentare generală

(Fig. 1 )

1. Plăcuță de identificare a produsului și a seriei
2. Blocare declanșator
3. Mâner frontal
4. Capacul cilindrului
5. Frână de lanț și apărătoare de mână din față
6. Amortizor de zgomot
7. Bară de protecție
8. Pinionul din vârful șinei de ghidaj
9. Apărătoare pentru mâna dreaptă
10. Declanșator
11. Capac pinion
12. Opritor de lanț
13. Șină de ghidaj
14. Lanț de ferăstrău
15. Mâner de pornire
16. Rezervor de ulei pentru lanț
17. Demaror
18. Rezervor de carburant
19. Acționare șoc
20. Mâner din spate
21. Comutator oprire
22. Șurub de reglare a mersului în gol
23. Pompă de amorsare
24. Autocolant de avertisment și cu informații
25. Șurub de tensionare a lanțului
26. Capac șină de ghidaj
27. Unealtă combinată
28. Ulei pentru motoare în doi timpi
29. Manualul operatorului (EPA)

### Simbolurile de pe produs

- (Fig. 2 ) Avertisment
- (Fig. 3 ) Citiți acest manual
- Folosii protecție aprobată pentru cap, auditivă și vizuală
- (Fig. 4 )
- (Fig. 5 ) Utilizați mănuși de protecție omologate
- Produsul este în conformitate cu directivele CE aplicabile
- (Fig. 6 )
- (Fig. 7 ) Nivel de putere acustică
- Frână de lanț, necuplată (stânga). Frână de lanț, cuplată (dreapta)
- (Fig. 8 )
- (Fig. 9 ) Acționare șoc
- (Fig. 10 ) Pompă de amorsare
- (Fig. 11 ) Realimentarea cu carburant
- (Fig. 12 ) Umplerea cu ulei pentru lanț
- Produsul este în conformitate cu directivele EAC aplicabile
- (Fig. 13 )
- Produsul este în conformitate cu directivele aplicabile din Ucraina
- (Fig. 14 )
- (Fig. 15 ) Nivel de zgomot
- (Fig. 16 ) Țineți produsul bine, cu ambele mâini
- (Fig. 17 ) Nu îl utilizați cu o singură mână
- (Fig. 18 ) Evitați contactul cu vârful șinei de ghidaj
- (Fig. 19 ) Atenție la blocări și recul

Produsul este în conformitate cu directivele aplicabile din Australia și Noua Zeelandă referitoare la compatibilitatea

(Fig. 20) electromagnetă.

**Nota:** Alte simboluri/autocolante de pe produs se referă la cerințele de certificare pentru alte zone comerciale.

## Răspunderea pentru produs

Conform prevederilor legislației privind răspunderea pentru produs, nu ne asumăm răspunderea pentru daunele cauzate de produsul nostru dacă:

- produsul este reparat necorespunzător.
- produsul este reparat cu piese care nu provin de la producător sau care nu sunt aprobate de acesta.
- produsul are un accesoriu care nu provine de la producător sau care nu este aprobat de acesta.
- produsul nu este reparat la un centru de service omologat sau de o autoritate omologată.

# SIGURANȚĂ

## Definiții privind siguranța

Definițiile de mai jos indică nivelul de gravitate pentru fiecare cuvânt de semnalizare.



**AVERTISMENT:** Vătămări corporale.



**ATENȚIE:** Deteriorarea produsului.

**Nota:** Aceste informații facilitează utilizarea produsului.

## Instrucțiuni generale de siguranță

- Utilizați produsul în mod corespunzător. Vătămările corporale sau decesul constituie un posibil rezultat al utilizării incorecte. Utilizați produsul numai pentru sarcinile din acest manual. Nu utilizați produsul pentru alte sarcini.
- Citiți, înțelegeți și respectați instrucțiunile din acest manual. Respectați simbolurile de siguranță și instrucțiunile de siguranță. Dacă operatorul nu respectă instrucțiunile și simbolurile, pot apărea vătămări corporale, daune materiale sau decese.
- Nu aruncați acest manual. Utilizați instrucțiunile pentru a asambla, a opera și a păstra produsul în stare bună. Utilizați instrucțiunile pentru instalarea corectă a accesoriilor. Utilizați numai accesorii aprobate.
- Nu utilizați un produs deteriorat. Respectați programul de întreținere. Efectuați numai operațiile de întreținere pentru care există instrucțiuni în acest manual. Un centru de service omologat trebuie să execute toate celelalte operații de întreținere.
- Acest manual nu poate include toate situațiile care pot apărea atunci când utilizați produsul. Procedați cu atenție și folosiți-vă simțul practic. Nu operați produsul și nu efectuați operații de întreținere la acesta dacă nu sunteți sigur cu privire la situație. Discutați cu un expert de produs, cu distribuitorul, cu

agentul de service sau cu centrul de service omologat pentru informații.

- Deconectați cablul bujiei înainte de a asambla produsul, de a depozita produsul sau de a efectua operații de întreținere.
- Nu utilizați produsul dacă specificația sa inițială se modifică. Nu modificați o componentă a produsului fără aprobarea producătorului. Utilizați numai piese omologate de producător. Vătămările corporale sau decesul constituie un posibil rezultat al întreținerii incorecte.
- Nu respirați în atmosfera cu vapori emiși de motor. Respirarea gazelor de eșapament ale motorului, a vaporilor de ulei pentru lanț și a rumegușului pentru o perioadă lungă de timp poate prezenta riscuri pentru sănătate.
- Nu porniți produsul în interior sau în apropierea unor materiale inflamabile. Gazele de eșapament sunt fierbinți și pot conține scântei care pot declanșa incendii. Fără un flux de aer suficient, pot interveni vătămări corporale sau moartea cauzată de asfixiere sau de monoxidul de carbon.
- În timpul funcționării, acest produs generează un câmp electromagnetic. Câmpul electromagnetic poate cauza deteriorarea implanturilor medicale. Discutați cu medicul dvs. și cu producătorul implantului medical înainte de a opera produsul.
- Nu permiteți copiilor să utilizeze produsul.
- Nu permiteți unei persoane care nu cunoaște instrucțiunile să utilizeze produsul.
- Monitorizați permanent o persoană cu capacități fizice sau mentale reduse care utilizează produsul. Un adult responsabil trebuie să fie prezent în permanență.
- Încuiați produsul într-o zonă inaccesibilă copiilor și persoanelor fără aprobare.
- Produsul poate proiecta obiecte și poate cauza vătămări corporale. Respectați instrucțiunile de siguranță, pentru a reduce pericolul de vătămări corporale sau de deces.
- Nu vă îndepărtați de produs atunci când motorul este pornit. Opriți motorul și asigurați-vă că lanțul nu se rotește.

- În caz de accident, operatorul produsului este responsabil.
- Înainte de a utiliza produsul, asigurați-vă că piesele nu sunt deteriorate.
- Consultați legislația națională sau locală. Aceasta poate interzice sau poate limita utilizarea produsului în unele situații.

## Instrucțiuni de siguranță pentru utilizare

- Utilizarea continuă sau periodică a produsului poate cauza simptomul de „degete albe” sau alte probleme de natură medicală din cauza vibrațiilor. Examinați starea mâinilor și degetelor dacă utilizați produsul în mod continuu sau regulat. Dacă mâinile sau degetele s-au decolorat, vă dor, simțiți furnicăături sau sunt amorțite, încetați lucrul și contactați imediat un medic.
- Înainte de a utiliza produsul, asigurați-vă că este complet asamblat.
- Produsul poate determina proiectarea de obiecte, ceea ce poate conduce la leziuni oculare. Când utilizați produsul, purtați întotdeauna ochelari de protecție omologati.
- Fiți atenți, copiii se pot apropia de produs, fără știrea dvs., în timpul funcționării.
- Nu utilizați produsul dacă se află persoane în zona de lucru. Opriți produsul dacă o persoană intră în zona de lucru.

(Fig. 21)

- Asigurați-vă că aveți permanent control asupra produsului.
- Produsul trebuie utilizat cu două mâini. Nu utilizați produsul cu o singură mână. Utilizarea cu o singură mână poate cauza vătămări corporale grave operatorului, muncitorilor, persoanelor din jur sau mai multor persoane din aceste categorii.
- Prindeți mânerul frontal cu mâna stângă și mânerul din spate cu mâna dreaptă. Țineți produsul pe partea dreaptă a corpului.

(Fig. 22)

- Nu utilizați niciodată produsul atunci când sunteți obosit, bolnav sau dacă ați consumat alcool sau droguri.
- Nu utilizați produsul dacă nu puteți primi ajutor în caz de accident. Anunțați și alte persoane despre faptul că veți utiliza produsul, înainte ca dvs. să începeți utilizarea produsului.
- Nu acționați produsul înainte de a vă asigura că nicio persoană și niciun animal nu se află în zona de siguranță.
- Înainte de a începe, eliminați toate materialele nedorite din zona de lucru. Dacă lanțul lovește un obiect, acesta poate fi proiectat și poate cauza vătămări corporale sau deteriorări. Materialele nedorite se pot împrăști în jurul lanțului și pot cauza deteriorări.
- Nu utilizați produsul în condiții meteorologice nefavorabile cum ar fi ceață, ploaie, vânt puternic,

pericol de descărcări electrice sau alte condiții meteo. Vremea nefavorabilă poate conduce la apariția de situații periculoase, de exemplu, suprafețe alunecoase.

- Asigurați-vă că vă puteți deplasa liber și că puteți lucra într-o poziție stabilă.
- Asigurați-vă că nu puteți cădea în timp ce utilizați produsul. Nu înclinați produsul în timp ce-l utilizați.
- Țineți întotdeauna produsul cu ambele mâini. Prindeți mânerul frontal cu mâna stângă și mânerul din spate cu mâna dreaptă. Țineți produsul pe partea dreaptă a corpului.
- Dacă acționarea șocului se află în poziția clapetei de șoc la pornirea motorului, lanțul începe să se rotească.
- Opriți motorul înainte de a muta produsul.
- Nu așezați produsul jos când motorul este pornit.
- Înainte de a elimina materialele nedorite din produs, opriți motorul. Lăsați lanțul să se oprească, înainte ca dvs. sau o persoană care vă ajută să eliminați materialul tăiat.
- Nu acționați niciodată acest produs într-un copac. Acționarea produsului într-un copac poate avea ca rezultat vătămarea corporală.

(Fig. 23)

- Frâna de lanț trebuie acționată când produsul este pornit, pentru a reduce riscul ca ferăstrăul să vă atingă în timpul pornirii.

(Fig. 24)

- Evitați reculul, alunecarea, ricoșarea și coborârea rapidă, deoarece acestea pot cauza vătămări corporale grave.
- Respectați toate regulile de siguranță pentru a ajuta la prevenirea reculului și a altor forțe ce pot provoca vătămări corporale grave.
- Ajustați în mod regulat întinderea lanțului pentru a vă asigura că lanțul de ferăstrău nu atârâna. Un lanț de ferăstrău slăbit poate sări și cauza vătămări corporale grave sau chiar mortale.
- Nu tăiați copaci folosind o procedură incorectă. Acest lucru poate cauza vătămări persoanelor, lovirea unei linii de utilități sau poate cauza daune proprietăților.
- Operatorul ar trebui să se poziționeze în partea mai ridicată a terenului, deoarece copacul se va rostogoli sau aluneca spre partea inferioară a pantei după tăiere.

(Fig. 25)

- Planificați și eliberați o rută de evacuare înainte de a începe tăierile. Călea de evacuare trebuie să se extindă în spate și în diagonală față de linia preconizată de cădere.

(Fig. 26)

- Întotdeauna opriți motorul înainte de a muta produsul între copaci.
- Asigurați-vă că aveți un echilibru stabil pe sol și că vă susțineți greutatea în mod egal.

(Fig. 27 )

- Păstrați întotdeauna puncte de sprijin adecvate și operați produsul numai când stați pe o suprafață fixă, sigură și orizontală. Suprafețele alunecoase sau instabile, precum scările, pot cauza pierderea echilibrului sau a controlului.

(Fig. 28 )

## Reculul, alunecarea, ricoșarea și coborârea rapidă

Diferitele forțe pot afecta controlul sigur al produsului.

- **Alunecarea** apare atunci când șina de ghidaj alunecă sau se deplasează rapid transversal pe lemn.
- **Ricoșarea** apare atunci când șina de ghidaj se ridică de pe lemn și îl atinge în mod repetat.
- **Coborârea rapidă** are loc atunci când produsul coboară rapid după efectuarea unei tăieri. Acest lucru poate determina lanțul aflat în mișcare să atingă o parte a corpului sau alte obiecte, cauzând vătămări corporale sau deteriorări.
- **Reculul** are loc atunci când capătul șinei de ghidaj atinge anumite obiecte și se mișcă spre spate, în sus sau brusc în față. Reculul apare și atunci când porțiunile tăiate din lemn se apropie și prind lanțul de ferăstrău în timpul tăierii. Pierderea controlului poate interveni dacă produsul atinge un obiect din lemn.

(Fig. 29 )

- **Reculul de rotație** se poate produce când lanțul în mișcare intră în contact cu un obiect la partea superioară a șinei de ghidaj. Acest lucru poate cauza blocarea lanțului în obiect și oprirea imediată a lanțului. Rezultatul este o reacție inversă foarte rapidă care mișcă șina de ghidaj în sus și spre înapoi, în direcția operatorului.

(Fig. 30 )

(Fig. 31 )

- **Reculul de prindere** poate interveni atunci când lanțul de ferăstrău se oprește brusc în timpul tăierii. Porțiunile de lemn tăiate se apropie și prind lanțul de ferăstrău aflat în mișcare de-a lungul șinei de ghidaj. Oprirea bruscă a lanțului inversează forța lanțului și determină mișcarea produsului în direcția opusă a rotației lanțului. Produsul se deplasează în spate, în direcția operatorului.

(Fig. 32 )

- **Tragerea spre față** se poate produce atunci când lanțul de ferăstrău se oprește brusc în momentul în care lanțul aflat în mișcare atinge un obiect din lemn, de-a lungul părții inferioare a șinei de ghidaj. Oprirea bruscă trage produsul spre față și departe de operator, ceea ce poate cauza cu ușurință pierderea controlului asupra produsului de către operator.

(Fig. 33 )

Asigurați-vă că înțelegeți diferitele forțe și cum puteți să le preveniți, înainte de a utiliza produsul.

## Pentru a preveni reculul, alunecarea, ricoșarea și coborârea bruscă

- În timp ce motorul este în funcțiune, asigurați-vă că țineți bine produsul. Țineți mâna dreaptă pe mânerul din spate și mâna stângă pe mânerul frontal. Țineți bine, având toate degetele în jurul mânerelor. Nu dați drumul.
- Mențineți controlul asupra produsului în timpul tăierii și după ce lemnul cade pe sol. Nu permiteți produsului să coboare rapid după tăiere.(Fig. 34 )
- Asigurați-vă că în zona în care tăiați nu există blocaje. Nu permiteți vârfului șinei de ghidaj să atingă un buștean, o ramură sau alte obstacole în timp ce utilizați produsul.
- Tăiați la turații ridicate ale motorului.
- Nu vă întindeți prea mult sau nu tăiați obiecte situate deasupra înălțimii umărului.(Fig. 35 )
- Respectați instrucțiunile producătorului cu privire la ascuțirea și întreținerea lanțului de ferăstrău.
- Utilizați numai șinele de ghidaj și lanțurile de ferăstrău de schimb specificate de producător.
- Pericolul de recul crește în cazul în care calibrarea adâncimii este prea mare.

## Echipament de protecție personală

- Utilizați întotdeauna echipamentul de protecție personală corespunzător atunci când operați produsul. Echipamentul individual de protecție nu elimină pericolul de vătămări corporale. Echipamentul individual de protecție reduce gravitatea vătămării corporale în cazul producerii unui accident.
- În general, îmbrăcămintea trebuie să fie strânsă pe corp, fără a împiedica libertatea de mișcare.
- Purtați o cască de protecție omologată.
- În timp ce operați produsul, purtați întotdeauna protecții omologate pentru ureche. Zgomotul prelungit poate cauza pierderea auzului.
- Purtați ochelari de protecție sau un vizor de protecție pentru față pentru a reduce pericolul de vătămări corporale cauzate de obiectele proiectate. Produsul poate proiecta obiecte precum așchii, bucăți mici de lemn etc., cu o forță considerabilă. Acestea pot cauza vătămări corporale grave, în special vătămări ale ochilor.
- Purtați mănuși pentru protecție împotriva motoferăstraielor.
- Utilizați salopetă cu protecție pentru motoferăstrău.
- Purtați încălțăminte pentru protecție împotriva motoferăstraielor, cu vârf din oțel și talpă anti-aderentă.
- Asigurați-vă că aveți în apropiere o trusă de prim-ajutor.
- Amortizorul de zgomot, șina de ghidaj, lanțul de ferăstrău sau alte elemente pot constitui surse de

scânteii. Asigurați-vă întotdeauna că aveți la dispoziție instrumente de stingere a incendiilor și o lopată pentru a ajuta la prevenirea incendiilor forestiere.

## Dispozitive de protecție la produs

- Asigurați-vă că efectuați cu regularitate întreținerea produsului.
  - Durata de viață a produsului crește.
  - Riscul de accidente scade.

Permiteți unui distribuitor omologat sau unui centru de service omologat să examineze cu regularitate produsul, pentru a efectua reglaje sau reparații.

- Nu utilizați un produs cu echipamentul de protecție deteriorat. Dacă produsul este deteriorat, luați legătura cu un centru de service omologat.

## Buton oprire

Porniți motorul. Asigurați-vă că motorul se oprește atunci când deplasați comutatorul de oprire în poziția de oprire.

## Pentru examinarea elementului de blocare a pârghiei de accelerație

1. Asigurați-vă că declanșatorul (B) este blocat la turația de mers în gol atunci când eliberați elementul de blocare a declanșatorului (A). (Fig. 36 )
2. Apăsăți elementul de blocare a declanșatorului (A) și asigurați-vă că revine la poziția inițială atunci când îl eliberați.
3. Apăsăți declanșatorul (B) și asigurați-vă că revine la poziția inițială atunci când îl eliberați.
4. Porniți motorul și aplicați viteză maximă.
5. Eliberați declanșatorul și verificați dacă lanțul de ferăstrău se oprește.
6. Dacă lanțul de ferăstrău se rotește la turația de mers în gol, examinați șurubul de reglare a turației de mers în gol a carburatorului.

## Apărătoare

Apărătoarea previne proiectarea obiectelor în direcția operatorului. De asemenea, apărătoarea previne contactul accidental dintre operator și lanțul de ferăstrău.

- Asigurați-vă că apărătoarea poate fi utilizată împreună cu produsul în timpul funcționării acestuia.
- Nu utilizați produsul fără apărătoare.
- Asigurați-vă că apărătoarea nu este deteriorată. Înlocuiți apărătoarea dacă aceasta este uzată sau dacă prezintă fisuri.

## Reguli de siguranță referitoare la carburant

- Nu porniți produsul dacă pe acesta se află carburant sau ulei pentru motor. Îndepărtați carburantul/uleiul nedorit și lăsați produsul să se usuce. Îndepărtați carburantul nedorit din produs.

- Dacă vărsați carburantul pe îmbrăcăminte, schimbați imediat hainele.
- Nu vărsați carburantul pe corp - poate provoca vătămări corporale. Dacă vărsați carburant pe corp, utilizați apă și săpun pentru a elimina carburantul.
- Nu porniți motorul dacă vărsați ulei sau carburant pe produs sau pe corp.
- Nu porniți produsul dacă motorul prezintă scurgeri. Examinați cu regularitate motorul, pentru a identifica eventuale scurgeri.
- Manipulați cu atenție carburantul. Carburantul este inflamabil, vaporii sunt explozivi și pot cauza vătămări corporale sau deces.
- Nu respirați vaporii de carburant, se pot produce vătămări corporale. Asigurați-vă că fluxul de aer este suficient.
- Nu fumați în apropierea carburantului sau a motorului.
- Nu amplasați obiecte calde în apropierea carburantului sau a motorului.
- Nu adăugați carburant atunci când motorul este pornit.
- Asigurați-vă că motorul este rece înainte de a realimenta.
- Înainte de a realimenta, deschideți lent capacul rezervorului de carburant și eliberați cu atenție presiunea.
- Nu adăugați carburant la motor într-o zonă interioară. Un flux de aer insuficient poate cauza vătămare corporală sau deces din cauza asfixierii sau a monoxidului de carbon.
- Strângeți cu atenție capacul rezervorului de carburant; în caz contrar, se pot produce incendii.
- Înainte de pornire, mutați produsul la o distanță de minimum 3 m (10 ft) față de poziția unde ați umplut rezervorul.
- Nu introduceți prea mult carburant în rezervorul de carburant.
- Asigurați-vă că nu se pot produce scurgeri atunci când mutați produsul sau rezervorul de carburant.
- Nu poziționați produsul sau rezervorul de carburant în apropierea unei flăcări deschise, a scânteilor sau a unei lumini pilot. Asigurați-vă că în zona de depozitare nu se află flăcări deschise.
- Utilizați numai recipiente omologate atunci când mutați carburantul sau îl introduceți în spațiul de depozitare.
- Goliiți rezervorul de carburant înainte de a-l depozita pe termen lung. Respectați legislația locală cu privire la locația de eliminare a carburantului.
- Curățați produsul înainte de depozitarea pe termen lung.
- Îndepărtați cablul bujei înainte de a introduce produsul în spațiul de depozitare, pentru a vă asigura că motorul nu pornește accidental.



## Instrucțiuni de siguranță pentru întreținere

- Deconectați bujia înainte de a efectua întreținerea produsului, fără reglarea carburatorului.
  - Apelați la un distribuitor aprobat pentru toate operațiunile de service ale produsului, fără activitățile din *ÎNTREȚINEREA la pagina 308*.
  - Asigurați-vă că lanțul ferăstrăului se oprește din mișcare când trăgaciul accelerației este eliberat.
  - Păstrați mânerul uscat, curat și fără urme de ulei sau de amestec.
  - Țineți capacele și elementele de strângere corect strânse.
  - Utilizarea componentelor de schimb care nu sunt aprobate sau eliminarea dispozitivelor de siguranță poate cauza deteriorarea produsului. De asemenea, acest lucru poate cauza vătămarea corporală a operatorului sau a persoanelor din jur. Folosiți numai accesorii și piese de schimb conform recomandărilor. Nu schimbați produsul.
  - Mențineți lanțul de ferăstrău ascuțit și curat pentru performanță ridicată și sigură.
- Respectați instrucțiunile pentru ungere și schimbarea accesoriilor.
  - Examinați produsul pentru componente deteriorate. Înainte de a continua utilizarea produsului, asigurați-vă că apărătoarea sau componenta deteriorată funcționează corect. Verificați dacă există componente defecte sau alinate incorect și componente care nu se mișcă liber. Verificați dacă există alte condiții care ar putea afecta funcționarea produsului. Asigurați-vă că produsul este instalat corect. O apărătoare sau altă componentă deteriorată trebuie reparată sau înlocuită de un distribuitor aprobat, cu excepția cazului în care se specifică altfel în manualul operatorului.
  - Când nu este în funcțiune, păstrați produsul într-o zonă uscată, înaltă sau blocată, departe de accesul copiilor.
  - În timpul transportului sau depozitării produsului, utilizați un capac sau o carcasă pentru șina de ghidaj, pentru a muta produsul.
  - Nu utilizați ulei ars. Uleiul ars poate fi periculos pentru dvs. și poate provoca daune produsului și mediului.

---

## ASAMBLAREA

---



**AVERTISMENT:** Citiți și înțelegeți capitolul referitor la siguranță înainte de asamblarea produsului.

### Pentru asamblarea șinei de ghidaj și a lanțului de ferăstrău

1. Deplasați apărătoarea de mână din față în direcția mânerului frontal pentru a decupla frâna de lanț.
2. Pliati butonul în afară, în poziția deschis. (Fig. 37 )
3. Rotiți butonul în sensul invers acelor de ceasornic pentru a slăbi capacul șinei.(Fig. 38 )
4. Scoateți butonul (A) și capacul pinionului. Scoateți apărătoarea de transport, dacă este montată. (Fig. 39 )
5. Puneți șina de ghidaj deasupra șuruburilor șinei. Deplasați șina de ghidaj în ultima poziție din spate. Puneți lanțul de ferăstrău deasupra roții de antrenare și cuplați-l în canelura de pe șina de ghidaj. Începeți de la marginea superioară a șinei de ghidaj. (Fig. 40 )
6. Asigurați-vă că marginile conexiunilor de tăiere sunt îndreptate spre față, pe marginea superioară a șinei de ghidaj.
7. Asamblați capacul pinionului și deplasați pintelul întinzător al lanțului în orificiul prevăzut în șina de ghidaj. Asigurați-vă că zalele de ghidare ale lanțului se fixează corect pe roata de antrenare. De asemenea, asigurați-vă că lanțul de ferăstrău este cuplat corect în canelura din șina de ghidaj. (Fig. 41 )

8. Strângeți lanțul de ferăstrău rotind roțița în jos (+). Strângeți lanțul până când nu mai există vreun joc pe partea de dedesubt a șinei de ghidare. (Fig. 42 )
9. Lanțul de ferăstrău este strâns corect până când nu se mai îndoaie sub șina de ghidaj, dar poate fi întors ușor cu mâna.
10. Țineți în sus vârful șinei de ghidaj și rotiți butonul în sens orar pentru a strânge. (Fig. 43 )
  - Examinați frecvent întinderea lanțului după asamblarea unui nou lanț de ferăstrău și până când lanțul de ferăstrău se rodează.
  - Examinați întinderea lanțului în mod regulat. Întinderea corectă a lanțului determină o bună performanță de tăiere și o durată de funcționare lungă.

### Rearmarea frânei de lanț

Dacă capacul ambreiajului a fost îndepărtat accidental în timp ce frâna de lanț este blocată, trebuie deblocată frâna pentru a permite montajul capacului fără a bloca volanta ambreiajului.



**ATENȚIE:** Arcul frânei de lanț este tensionat. Efectuați cu grijă rearmarea frânei de lanț.

**Nota:** Nu țineți de banda frânei în timpul rearmării.

1. Aliniați creștăturile de pe scula de reglaj a șinei pentru a intra în cuplajul rotativ al frânei.(Fig. 44 )

2. Pentru rearmarea frânei, rotiți în sens orar până se oprește. Conectorul frontal va fi îndreptat în jos

atunci când frâna de lanț este în poziția deblocat. (Fig. 45 )(Fig. 46 )

## FUNCȚIONAREA



**AVERTISMENT:** Citiți și înțelegeți capitolul referitor la siguranță înainte de utilizarea produsului.



**ATENȚIE:** Utilizați întotdeauna ulei de motor în doi timpi răcit cu aer, de înaltă calitate. Alte uleiuri pot deteriora produsul.

### Pentru utilizarea carburantului



**ATENȚIE:** Acest produs este prevăzut cu motor în doi timpi. Utilizați un amestec de benzină și de ulei pentru motor în doi timpi. Asigurați-vă că utilizați cantitatea corectă de ulei în amestec. Un raport incorect între benzină și ulei poate cauza deteriorarea motorului.

### Raport amestec

Raportul amestecului pentru benzină și ulei de motor în doi timpi este de 50:1 (2%)

Benzină	Ulei pentru motor în doi timpi
1 galon S.U.A.	77 ml (2,6 oz)
1 galon Marea Britanie	95 ml (3,2 oz)
5 l	100 ml (3,4 oz)

### Pentru realizarea amestecului

1. Determinați cantitatea corectă de benzină și ulei de motor (raportul amestecului 50:1). Nu realizați o cantitate de amestec pentru mai mult de 30 de zile. Consultați *Pentru utilizarea carburantului la pagina 306*.
2. Adăugați jumătate din cantitatea de benzină într-un rezervor de carburant curat, cu o supapă anti-vărsare.



**ATENȚIE:** Nu utilizați benzină cu o concentrație de etanol de peste 10% (E10). Aceasta poate deteriora produsul.



**ATENȚIE:** Nu utilizați benzină cu o cifră octanică mai mică de 90 RON (87 AKI). Aceasta poate deteriora produsul.

**Nota:** Utilizați benzină cu o cifră octanică mai mare dacă utilizați frecvent produsul în mod continuu, la o turație de motor ridicată.

3. Adăugați întreaga cantitate de ulei de motor în doi timpi în rezervorul de carburant.

4. Agitați amestecul, pentru amestecarea conținutului.
5. Adăugați cantitatea de benzină rămasă în rezervorul de carburant.
6. Agitați amestecul, pentru amestecarea conținutului.
7. Umpleți rezervorul de carburant al produsului cu amestecul. Consultați *Pentru utilizarea carburantului la pagina 306*.

### Pentru umplerea rezervorului de carburant

1. Asigurați-vă că amestecul este corect și că îl introduceți într-un rezervor de carburant cu o supapă anti-vărsare.
2. Dacă a rămas carburant în rezervor, îndepărtați carburantul nedorit și lăsați rezervorul să se usuce.
3. Asigurați-vă că zona din apropierea capacului rezervorului de carburant este curată.
4. Scoateți capacul rezervorului de carburant.
5. Scuturați rezervorul de carburant înainte de a adăuga amestecul în acesta.
6. Puneți înapoi capacul rezervorului de carburant.

### Pentru a unge lanțul de ferăstrău

Produsul are un sistem de ungere automat. Rezervorul de ulei pentru lanțul de ferăstrău și rezervorul de carburant sunt proiectate astfel încât carburantul să se termine înaintea uleiului pentru lanțul de ferăstrău. Această funcție de siguranță necesită utilizarea uleiului de ungere corect și respectarea instrucțiunilor.

1. Utilizați ulei de lanț vegetal pentru ferăstrău sau ulei de lanț standard.
2. Asigurați-vă că zona din apropierea capacului rezervorului de ulei pentru lanțul de ferăstrău este curată.
3. Scoateți capacul rezervorului de ulei pentru lanțul de ferăstrău.
4. Umpleți rezervorul de ulei pentru lanțul de ferăstrău cu uleiul pentru lanț de ferăstrău recomandat.
5. Puneți înapoi capacul rezervorului de ulei pentru lanț de ferăstrău.

### Pentru pornire și oprire

#### Înainte de pornirea motorului

- Examinați produsul pentru a identifica eventuale piese lipsă, deteriorate, slăbite sau uzate.

- Examinați piulițele, șuruburile și bolțurile.
- Examinați filtrul de aer.
- Verificați dacă blocarea declanșatorului și declanșatorul funcționează corespunzător.
- Verificați comutatorul de oprire pentru a vedea dacă funcționează corespunzător.
- Examinați produsul pentru scurgeri de carburant.
- Verificați dacă lanțul de ferăstrău este ascuțit și întins corect.

### Pentru pornirea unui motor rece

1. Deplasați apărătoarea de mână din față spre înainte pentru a cupla frâna de lanț. (Fig. 47 )
2. Împingeți butonul de amorsare de 6 ori. (Fig. 48 )
3. Împingeți maneta de acționare șoc astfel pentru a controla poziția clapetei de șoc. (Fig. 49 )
4. Țineți corpul produsului pe sol, cu mâna stângă. Puneți piciorul drept în mânerul din spate pentru a stabili motoferăstrăul. Trageți încet de mânerul șnurului de pornire, până când simțiți o oarecare rezistență. Apoi, trageți puternic mânerul șnurului de pornire de 5 ori. (Fig. 50 )

**Nota:** Nu trageți declanșatorul în timp ce porniți motorul.

5. Împingeți maneta de acționare șoc astfel încât să nu fie în poziția clapetei de șoc.
6. Trageți de mânerul pentru șnurul de pornire până la pornirea motorului. Așteptați 60 de secunde după pornire înainte de a trage declanșatorul.



**ATENȚIE:** Nu trageți de șnurul de pornire înainte de oprirea acestuia. Nu eliberați șnurul de pornire când acesta este complet extins. Eliberați lent șnurul de pornire. Respectați aceste instrucțiuni pentru a preveni deteriorarea motorului.

7. Trageți apărătoarea de mână din față în direcția mânerului frontal pentru a decupla frâna de lanț.
8. Prindeți mânerul din spate cu mâna dreaptă și mânerul frontal cu mâna stângă.
9. Utilizați produsul.

### Pentru pornirea unui motor cald

1. Deplasați apărătoarea de mână din față spre înainte pentru a cupla frâna de lanț.
2. Împingeți butonul de amorsare de 6 ori.
3. Împingeți maneta de acționare șoc astfel pentru a controla poziția clapetei de șoc.
4. Împingeți maneta de acționare șoc astfel încât să nu fie în poziția clapetei de șoc.
5. Țineți corpul produsului pe sol, cu mâna stângă. Puneți piciorul drept în mânerul din spate pentru a stabili motoferăstrăul. Trageți încet de mânerul șnurului de pornire, până când simțiți o oarecare

rezistență. Trageți apoi de mânerul șnurului de pornire până la pornirea motorului. (Fig. 51 )

**Nota:** Nu trageți declanșatorul în timp ce porniți motorul.



**ATENȚIE:** Nu trageți de șnurul de pornire înainte de oprirea acestuia. Nu eliberați șnurul de pornire când acesta este complet extins. Eliberați lent șnurul de pornire. Respectați aceste instrucțiuni pentru a preveni deteriorarea motorului.

6. Trageți apărătoarea de mână din față în direcția mânerului frontal pentru a decupla frâna de lanț.
7. Prindeți mânerul din spate cu mâna dreaptă și mânerul frontal cu mâna stângă.
8. Utilizați produsul.

### Pentru a porni motorul când carburantul este prea fierbinte

Dacă produsul nu pornește, carburantul poate fi prea fierbinte.

**Nota:** Utilizați întotdeauna carburant nou și reduceți timpul de funcționare pe vreme caldă.

1. Puneți produsul într-o zonă rece, departe de lumina solară directă.
2. Lăsați produsul să se răcească pentru minimum 20 de minute.
3. Apăsăți din nou butonul de amorsare timp de 10-15 secunde.
4. Respectați procedura de pornire a unui motor rece. Consultați *Pentru pornirea unui motor rece la pagina 307*.

### Oprirea motorului

- Apăsăți pe comutatorul de oprire pentru a opri motorul.

**Nota:** Comutatorul de oprire revine automat la poziția inițială.

### Pentru a utiliza o bară de protecție

O bară de protecție previne reculul și ține lemnul în timpul tăierilor. Bara de protecție este un pivot între șina de ghidaj și motor.

1. Puneți capătul inferior al barei de protecție la lățimea corectă a articulației.
2. Apăsăți cu mâna stângă pe mânerul frontal, în timp ce ridicați mânerul din spate cu mâna dreaptă.
3. Tăiați până când obțineți un ciot cu funcție de pivot de lățime corectă.

**Nota:** Ciotul trebuie să aibă grosime egală.

4. Tăiați mai mult de jumătate din diametru și apoi introduceți pana în tăietura de ferăstrău.

## Pentru a doborî un copac

1. Înlăturați gunoaiele, pietrele, scoarța desprinsă, cuiele, cârligele și cablurile din copac.
2. Realizați o tăietură triunghiulară de 1/3 din diametrul arborelui, perpendicular pe direcția căderii.(Fig. 52 )
3. Efectuați tăietura triunghiulară orizontală inferioară. Acest lucru împiedică prinderea lanțului de ferăstrău sau a șinei de ghidaj atunci când se realizează a doua tăietură triunghiulară.
4. Efectuați tăietura de doborâre din spate (X) cu cel puțin 50 mm (2 in.) mai sus decât tăietura triunghiulară orizontală. Mențineți tăietura de doborâre din spate paralelă cu tăietura triunghiulară orizontală, astfel încât să rămână lemn suficient pentru un ciot. Nu tăiați articulația. Ciotul cu funcție de pivot previne răsucirea arborelui și căderea acestuia în direcția incorectă.(Fig. 53 )(Fig. 54 )
5. Pe măsură ce tăietura de doborâre din spate se apropie de ciot, arborele începe să cadă. Asigurați-vă că arborele poate cădea în direcția corectă și că nu se mișcă spre spate și prinde lanțul de ferăstrău. Întrerupeți tăierea înainte ca tăietura de doborâre din spate să fie finalizată, pentru a preveni acest lucru. Utilizați pene din lemn, plastic sau aluminiu pentru a deschide tăietura și a lăsa arborele să cadă de-a lungul liniei de cădere necesare.(Fig. 55 )
6. Când arborele începe să cadă, scoateți produsul din tăietură, opriți motorul, puneți produsul jos, apoi folosiți ruta de retragere planificată. Fiți atent la crengile care cad de sus și aveți grijă unde călcați. (Fig. 56 )

## Tăierea ramurilor unui arbore

1. Utilizați ramurile mai mari pentru a ține bușteanul deasupra solului.
2. Îndepărtați ramurile mici cu o singură tăietură.(Fig. 57 )
3. Tăiați ramurile tensionate din partea de jos spre partea de sus, pentru a preveni prinderea lanțului de ferăstrău sau a șinei de ghidaj.

## Ferăstruirea unui buștean



**ATENȚIE:** Nu permiteți lanțului de ferăstrău să atingă solul.

- Dacă bușteanul este susținut pe toată lungimea sa, tăiați din partea de sus a bușteanului (denumită ferăstruire din partea superioară).(Fig. 58 )
- Dacă bușteanul este susținut la un capăt, tăiați 1/3 din diametru, din partea de jos a bușteanului (denumită ferăstruire din partea inferioară).(Fig. 59 )
- Dacă bușteanul este susținut la ambele capete, tăiați 1/3 din diametru, din partea de sus. Finalizați tăierea prin ferăstruirea din partea inferioară a 2/3 din partea de jos a bușteanului, pentru a atinge prima tăiere. (Fig. 60 )
- Dacă ferăstruiți un buștean pe o pantă, rămâneți întotdeauna pe partea aflată la deal de buștean. Tăiați prin buștean în timp ce mențineți controlul complet asupra produsului, apoi slăbiți presiunea de tăiere aproape de finalizarea tăierii ținând ferm de mânerul din spate și din față.(Fig. 61 )

## ÎNȚREȚINEREA



**AVERTISMENT:** Citiți și înțelegeți capitolul privind siguranța înainte de a efectua operații de curățare, reparație sau întreținere asupra produsului.

### Program de întreținere

Respectați programul de întreținere. Intervalele sunt calculate considerând o utilizare zilnică a produsului. Intervalele sunt diferite dacă nu utilizați zilnic produsul. Efectuați numai operațiile de întreținere care se regăsesc în acest manual. Discutați cu un centru de service omologat cu privire la operațiile de întreținere care nu sunt menționate în acest manual.

### Întreținerea zilnică

- Curățați suprafețele exterioare.
- Asigurați-vă că blocarea și declanșatorul funcționează corect.
- Curățați frâna de lanț și asigurați-vă că funcționează corect.

(Fig. 62 )

- Verificați opritorul de lanț pentru semne de deteriorare. Înlocuiți opritorul de lanț, dacă acesta este deteriorat.

(Fig. 63 )

- Rotiți șina de ghidaj zilnic pentru o uzură mai uniformă.
- Asigurați-vă că orificiul de ungere din șina de ghidaj nu este înfundat.

(Fig. 64 )

- Curățați canelura șinei de ghidaj.

(Fig. 65 )

- Asigurați-vă că șina de ghidaj și lanțul de ferăstrău au suficient ulei.
- Verificați lanțul de ferăstrău:
  - pentru fisuri în nituri și conexiuni.
  - pentru nituri și conexiuni uzate anormal.
  - pentru întindere corectă.

Dacă este necesar, înlocuiți lanțul de ferăstrău.

- Ascuțiți lanțul de ferăstrău. Consultați *Pentru ascuțirea lanțului de ferăstrău la pagina 310*.
- Examinați roata de antrenare pentru a vedea dacă este prea uzată și înlocuiți-o dacă este necesar.

(Fig. 66 )

- Curățați priza de aer de pe unitatea demarorului.
- Verificați dacă șuruburile și piulițele sunt strânse bine.
- Verificați funcționarea corectă a comutatorului de oprire.
- Examinați motorul, rezervorul și conductele de carburant pentru scurgeri de carburant.
- Verificați dacă lanțul de ferăstrău nu se rotește în timp ce motorul funcționează la turația de mers în gol.

## Întreținerea săptămânală

- Asigurați-vă că sistemul de răcire funcționează corect.
- Asigurați-vă că demarorul, șnurul de pornire și arcul de rapel funcționează corect.
- Asigurați-vă că nu s-au deteriorat componentele de amortizare a vibrațiilor.

(Fig. 67 )

- Piliți toate bavurile de pe marginile șinei de ghidaj.
- Curățați sau înlocuiți ecranul extincătorului de scânteii de pe amortizorul de zgomot.

(Fig. 68 )

- Curățați suprafețele exterioare ale carburatorului și zonele adiacente ale acesteia.
- Curățați filtrul de aer. Montați un nou filtru de aer dacă este deteriorat sau prea murdar pentru a fi curățat complet. Consultați *Pentru a curăța filtrul de aer la pagina 310* pentru mai multe informații.

## Întreținerea lunară

- Examinați banda de frână a frânelor cu lanț pentru uzură. Înlocuiți-o atunci când grosimea benzii de frână este mai mică de 0,6 mm (0,024 in) la cel mai uzat punct.

(Fig. 69 )

- Examinați centrul ambreiajului, tamburul ambreiajului și arcul ambreiajului pentru uzură.
- Curățați bujia. Asigurați-vă că apărătoarea electrozului este corectă.

(Fig. 70 )

- Curățați suprafețele exterioare ale carburatorului și zonele adiacente ale acesteia.
- Verificați filtrul de carburant și furtunul pentru carburant. Înlocuiți, dacă este necesar.
- Goliți rezervorul de carburant.
- Goliți rezervorul de ulei.
- Examinați toate cablurile și conexiunile.

## Întreținerea anuală

- Verificați bujia.
- Curățați suprafețele exterioare ale carburatorului și zonele adiacente ale acesteia.
- Curățați sistemul de răcire.
- Verificați ecranul extincătorului de scânteii.
- Examinați filtrul de carburant.
- Verificați integritatea furtunului de carburant.
- Examinați toate cablurile și conexiunile.

## Întreținere intermitentă

- Apelați la un centru autorizat de service pentru repararea sau înlocuirea amortizorului de sunet după 50 de ore de funcționare.
- Efectuați operații de întreținere pentru bujie atunci când:
  - nivelul de putere al motorului este scăzut.
  - pornirea motorului este dificilă.
  - motorul nu funcționează corect la turația de mers în gol.
- Verificați ungerea lanțului de ferăstrău de fiecare dată când realimentați cu carburant. Consultați *Pentru a verifica ungerea lanțului de ferăstrău la pagina 311*.

## Pentru reglarea turației de mers în gol

Asigurați-vă că filtrul de aer este curat și că s-a executat montarea capacului filtrului de aer, înainte de a regla turația de mers în gol.

1. Rotiți șurubul de reglare a turației de mers în gol, care este identificat cu un marcaj „T”, în sensul acelor de ceasornic, până când lanțul de ferăstrău începe să se rotească.
2. Rotiți șurubul de reglare a turației de mers în gol, care este identificat cu un marcaj „T”, în sensul opus acelor de ceasornic, până când lanțul de ferăstrău se oprește.
3. Turația de mers în gol trebuie să fie sub valoarea la care lanțul de ferăstrău începe să se rotească. Turația de mers în gol este corectă când motorul funcționează uniform în toate pozițiile.

## Curățarea ecranului pentru oprirea scânteilor

1. Utilizați o perie de sârmă, pentru a curăța ecranul extincătorului de scânteii.

## Pentru a efectua operații de întreținere a bujiei



**ATENȚIE:** Utilizați o bujie recomandată. Asigurați-vă că piesa de schimb coincide cu piesa recomandată de producător. O bujie incorrectă poate cauza deteriorarea produsului.

1. Dacă produsul pornește sau funcționează cu dificultate, verificați dacă bujia nu prezintă materiale nedorite. Pentru a reduce riscul prezenței materialelor nedorite la electrozii bujei:
  - a) asigurați-vă că turația de mers în gol este reglată corect.
  - b) asigurați-vă că amestecul este corect.
  - c) asigurați-vă că filtrul de aer este curat.
2. Curățați bujia dacă este murdară. Asigurați-vă că apărătoarea electrozului este corectă. (Fig. 71 )
3. Înlocuiți bujia atunci când este necesar.

## Pentru a curăța filtrul de aer

1. Îndepărtați capacul filtrului de aer și scoateți filtrul de aer.
2. Curățați filtrul de aer, folosind apă caldă cu săpun. Asigurați-vă că filtrul de aer este uscat, înainte de a-l instala.
3. Înlocuiți filtrul de aer dacă este prea murdar pentru a fi curățat în totalitate. Întotdeauna înlocuiți un filtru de aer deteriorat.

## Pentru ascuțirea lanțului de ferăstrău

### Freza

Partea care taie a ferăstrăului se numește freză și este formată din dantura de tăiere (A) și calibrarea adâncimii (B). Adâncimea de tăiere a frezei se obține prin diferența de înălțime dintre cele două, setarea calibrării adâncimii (C).

(Fig. 72 )

La ascuțirea danturii, există patru factori importanți care trebuie luați în considerare:

- Unghiul de ascuțire.

(Fig. 73 )

- Unghiul de tăiere.

(Fig. 74 )

- Poziția pilei.

(Fig. 75 )

- Diametrul pilei rotunde.

(Fig. 76 )

### Pentru ascuțirea dinților

Utilizați o pilă rotundă și o matriță pentru a ascuți dinții. Consultați *Pilirea lanțului de ferăstrău și combinații lanț de ferăstrău la pagina 313* pentru informații despre dimensiunea recomandată a pilei și a matriței lanțului de ferăstrău instalat pe produs.

1. Asigurați-vă că lanțul de ferăstrău este tensionat corect. Un lanț slăbit se va deplasa în lateral, făcând dificilă ascuțirea corectă.

2. Piliți toți dinții întâi pe o parte. Piliți dinții de pe partea interioară și reduceți presiunea în timpul cursei de retur.
3. Întoarceți produsul invers și piliți dinții rămași de pe cealaltă parte.
4. Piliți toți dinții la aceeași lungime. Când lungimea dinților de tăiere se reduce la 4 mm (5/32"), lanțul este uzat și trebuie înlocuit. (Fig. 77 )

## Pentru a regla setarea calibrării adâncimii

Ascuțiți dinții înainte de a seta calibrarea adâncimii. Consultați *Pentru ascuțirea dinților la pagina 310*. Când ascuțiți dinții de tăiere (A), setarea calibrării adâncimii (C) se va reduce. Pentru menținerea performanței de tăiere optime, calibrarea adâncimii (B) trebuie pilită în jos pentru a atinge setarea recomandată a calibrării adâncimii. Consultați *Pilirea lanțului de ferăstrău și combinații lanț de ferăstrău la pagina 313* pentru a afla care este reglarea corectă a calibrării adâncimii pentru lanțul dvs. (Fig. 78 ) (Fig. 79 )

---

**Nota:** Această recomandare presupune faptul că lungimea dintelui de tăiere nu este redus excesiv.

---

Utilizați o pilă plată și un dispozitiv de calibrare a adâncimii pentru a regla calibrarea adâncimii.

1. Puneți dispozitivul pentru calibrarea adâncimii deasupra lanțului de ferăstrău. Informații detaliate cu privire la utilizarea dispozitivului de calibrare a adâncimii se găsesc pe ambalajul dispozitivului.
2. Folosiți pila plată pentru a pili vârful pentru calibrarea adâncimii care iese prin dispozitivul de calibrare a adâncimii. Setarea calibrării adâncimii este corectă când nu mai simțiți rezistență în timp ce trageți pila de-a lungul dispozitivului de calibrare a adâncimii.

## Pentru întinderea lanțului de ferăstrău

---

**Nota:** Verificați frecvent întinderea unui lanț de ferăstrău nou în timpul perioadei de rodare.

---

1. Slăbiți piulițele șinei de ghidaj care susțin capacul pinionului. Utilizați cheia combinată. (Fig. 80 )
2. Apoi strângeți manual piulițele șinei de ghidaj, cât mai mult posibil.
3. Ridicați partea superioară a șinei de ghidaj și extindeți lanțul de ferăstrău prin strângerea șurubului de tensionare a lanțului. Utilizați cheia combinată. Strângeți lanțul de ferăstrău până când nu mai atârână de partea de dedesubt a șinei de ghidaj. (Fig. 81 )
4. Strângeți piulițele șinei de ghidaj utilizând cheia combinată și ridicați în același timp vârful șinei de ghidaj. (Fig. 82 )
5. Asigurați-vă că puteți trage lanțul de ferăstrău liber cu mâna și că acesta nu atârână. (Fig. 83 )

## Pentru a unge echipamentul de tăiere

### Pentru a verifica ungerea lanțului de ferăstrău

Verificați ungerea lanțului de motoferăstrău de fiecare dată când realimentați cu carburant.

1. Porniți produsul și lăsați-l să ruleze la viteza de 3/4. Îndreptați vârful șinei de ghidaj spre o suprafață de culoare deschisă aflată la o distanță de aproximativ 20 cm (8 in).
2. După 1 minut de funcționare, o linie de ulei apare pe suprafața deschisă la culoare.
3. Dacă nu puteți vedea linia de ulei după 1 minut, curățați canalul de ulei din șina de ghidaj. Curățați

canelura din marginea șinei de ghidaj. Asigurați-vă că pinionul din vârful șinei de ghidaj se rotește liber și că nu există blocaje în orificiul de ungere. Curățați și ungeți pinionul din vârful șinei de ghidaj.

4. Porniți produsul și lăsați-l să ruleze la viteza de 3/4. Îndreptați vârful șinei spre o suprafață de culoare deschisă aflată la o distanță de aproximativ 20 cm (8 in).
5. După 1 minut de funcționare, o linie de ulei apare pe suprafața deschisă la culoare.
6. Dacă nu puteți vedea linia de ulei după 1 minut, discutați cu dealerul dvs. autorizat.

## TRANSPORTUL

- Goliți rezervoarele de carburant și de ulei pentru lanț înainte de transport. Aruncați lichidele utilizate în mod corect.
- Puneți capacul șinei de ghidaj pe accesoriul de tăiere în timpul transportului. Acest lucru previne atingerea accidentală a lanțului de ferăstrău ascuțit. Un lanț de ferăstrău nefuncțional vă poate provoca
- vătămări dvs. sau altor persoane care ating un lanț de ferăstrău ascuțit.
- Scoateți pipa bujiei din bujie și cuplați frâna de lanț înainte de transport.
- Asigurați-vă că produsul nu se poate mișca în timpul transportului.

## DEPOZITAREA

- Întotdeauna depozitați produsul în siguranță când nu îl utilizați. Scurgerile și vaporii din produs pot intra în contact cu scântei, flăcări deschise de la echipamentele electrice, mașini de tuns electrice, rele/comutatoare, cazane și multe altele.
- Întotdeauna depozitați carburant într-un rezervor aprobat.
- Goliți rezervoarele de carburant și de ulei pentru lanț atunci când produsul este depozitat pentru perioade mai lungi de timp. Aruncați lichidele utilizate în mod corect.
- În timpul depozitării, așezați capacul șinei de ghidaj pe șina de ghidaj. Acest lucru previne atingerea accidentală a lanțului de ferăstrău ascuțit. Un lanț de ferăstrău nefuncțional vă poate provoca vătămări corporale grave dvs. sau altor persoane care ating un lanț de ferăstrău ascuțit.
- Scoateți pipa bujiei din bujie și cuplați frâna de lanț înainte de depozitare.

## DATE TEHNICE

	unitate	120 Mark II (P02138HV)
<b>Specificații motor</b>		
Cilindree	cm <sup>3</sup>	38
Bujia		Champion RCJ7Y
Apărătoare electrod	mm (in)	0,5 (0,02)
Volum rezervor de carburant	cm <sup>3</sup>	300
Turație de mers în gol	min <sup>-1</sup>	2800-3200
Puterea de ieșire la 9000 min <sup>-1</sup>	kW	1,4
Perioada de rezistență a emisiilor	ore	50

	unitate	120 Mark II (P02138HV)
<b>Date privind zgomotul și vibrațiile</b>		
Nivelul echivalent de vibrații, a mânerului frontal $_{hveq}^{101}$	m/s <sup>2</sup>	4,5
Nivelul echivalent de vibrații, a mânerului posterior $_{hveq}^{102}$	m/s <sup>2</sup>	6,0
Nivel putere acustică, garantat ( $L_{WA}$ ) <sup>103</sup>	dB(A)	116
Nivel de putere acustică, măsurat <sup>104</sup>	dB(A)	110
Nivel de presiune acustică la urechea operatorului <sup>105</sup>	dB(A)	95
<b>Dimensiuni produs</b>		
Greutate (fără echipamentul de tăiere)	kg	4,9
Volum rezervor de ulei	cm <sup>3</sup>	200
<b>Carburant și sistem de ungere</b>		
Volumul pompei de ulei la 9000 min <sup>-1</sup>	ml/min	7
Volum rezervor de ulei	cm <sup>3</sup>	200
Tipul pompei de ulei		Automată
<b>Șina de ghidaj și lanțul de ferăstrău</b>		
Lungime standard a șinei de ghidaj	cm (in)	35-40 (14-16)
Lungimile recomandate ale șinei	cm (in)	35-45 (14-18)
Lungimea de tăiere activă	cm (in)	34-39 (13,5-15,5)
Viteza maximă a lanțului de ferăstrău	m/s	22,3
Pasul lanțului de ferăstrău	mm (in)	8,3 (0.325)
		9,52 (3/8)
Grosimea zalelor de ghidare (profil)	mm (in)	1,3 (0,05)
Tipul roții de antrenare		Pinten
Numărul de dinți ai roții de antrenare		6 (roții de antrenare 3/8)
		7 (roții de antrenare 0,325)

<sup>101</sup> Nivelul echivalent de vibrații, conform ISO 22867, este calculat ca și totalul energiei măsurate în timpul unei ore pentru diferite niveluri de vibrație în diferite condiții de lucru. Datele raportate pentru nivelul echivalent de vibrații includ o dispersie statistică tipică (abatere standard) de 1 m/s<sup>2</sup>.

<sup>102</sup> Nivelul echivalent de vibrații, conform ISO 22867, este calculat ca și totalul energiei măsurate în timpul unei ore pentru diferite niveluri de vibrație în diferite condiții de lucru. Datele raportate pentru nivelul echivalent de vibrații includ o dispersie statistică tipică (abatere standard) de 1 m/s<sup>2</sup>.

<sup>103</sup> Emisii de zgomot în mediu măsurate ca putere acustică ( $L_{WA}$ ).

<sup>104</sup> Emisii de zgomot în mediu măsurate ca putere acustică ( $L_{WA}$ ).

<sup>105</sup> Nivelul echivalent de presiune acustică este calculat ca și totalul energiei măsurate în timpul unei ore pentru diferite niveluri de presiune acustică în diferite condiții de lucru. Dispersia statistică tipică pentru nivelul echivalent de presiune acustică este reprezentată printr-o deviere standard de 1 dB (A).



## ACCESORII

### Combi-nații șină de ghidaj și lanț de ferăstrău

Accesorii-le de tăiere de mai jos sunt aprobate pentru produs.

Șină de ghidaj				Lanț de ferăstrău	
Lungime, cm (in)	Pasul lanțului, mm (in)	Șablon, mm (in)	Raza maximă la vârf	Tip	Număr conexiuni de antrenare
33 (13)	8,25 (0,325)	1,3 (0,050)	10T	Husqvarna H30	56
38 (15)	8,25 (0,325)				64
35 (14)	9,52 (3/8)		7T	Husqvarna H37	52
40 (16)	9,52 (3/8)				56
45 (18)	9,52 (3/8)				62

### Pilirea lanțului de ferăstrău și combinații lanț de ferăstrău

Lanț de ferăstrău					
Tipul lanțului	Dimensiunea plăcii rotunde	Unghiul plăcii laterale	Unghi plăcii superioare	Unghiul de ghidare a pilei	Setarea calibrării adâncimii
30	3/16 in. / 4,8 mm	60°	30°	10°	0,025 in. / 0,65 mm
H37	5/32 in. / 4,0 mm	60°	30°	0°	0,025 in. / 0,65 mm

## CONȚINUTUL DECLARAȚIEI DE CONFORMITATE CE

Noi, Husqvarna AB, SE 561 82 Huskvarna, SUECIA, declarăm pe propria răspundere că produsul reprezentat:

Descriere	Motoferăstrău pe benzină
Marcă	Husqvarna
Platformă / Tip / Model	Platformă P02138HV, reprezentând modelul 120 Mark II
Lot	Serie cu data 2018 și în continuare

respectă în totalitate următoarele directive și reglementări UE:

Directivă/Reglementare	Descriere
2006/42/CE	„afere-nță utilajelor”
2014/30/UE	„afere-nță compatibilității electromagnetice”
2000/14/CE	„privind zgomotul exterior”

Standardele armonizate și/sau specificațiile tehnice aplicate sunt următoarele: EN ISO 12100, EN ISO 11681-1, CISPR 12, ISO 14982

În conformitate cu directiva 2000/14/CE, Anexa V, valorile sonore declarate sunt declarate în secțiunea Date tehnice a prezentului manual și în Declarația de conformitate CE semnată.

TÜV Rheinland LGA Products GmbH, organism notificat pentru utilaje (notificat sub 0197), Tillystraße 2 - 90431 Nürnberg, Germania, a efectuat o examinare de tip CE în conformitate cu Directiva 2006/42/CE, articolul 12 alineatul 3b.

Certificatul de examinare tip CE, în conformitate cu Anexa IX, furnizat în Declarația de conformitate semnată, se aplică pentru toate locațiile de fabricație și pentru toate țările de proveniență indicate pe produs.

Acest motoferăstrău se conformează exemplului supus examinării de tip CE.

---

## Содержание

---

ВВЕДЕНИЕ.....	315	ТРАНСПОРТИРОВКА.....	327
МЕРЫ БЕЗОПАСНОСТИ.....	316	ХРАНЕНИЕ.....	327
СБОРКА.....	321	ТЕХНИЧЕСКИЕ ДАННЫЕ.....	327
ЭКСПЛУАТАЦИЯ.....	321	ПРИНАДЛЕЖНОСТИ.....	329
ТЕХНИЧЕСКОЕ ОБСЛУЖИВАНИЕ.....	324	СОДЕРЖАНИЕ ДЕКЛАРАЦИИ О СООТВЕТСТВИИ ЕС.....	329

---

## ВВЕДЕНИЕ

---

### Руководство по эксплуатации

Исходный текст данного руководства по работе составлен на английском языке. Руководства по

работе на других языках являются переводами с английского.

### Обзор

(Рис. 1 )

1. Табличка с обозначением изделия и серийного номера
2. Стопор рычага дросселя
3. Передняя рукоятка
4. Крышка цилиндра
5. Тормоз цепи и передний щиток для рук
6. Глушитель
7. Зубчатый упор
8. Ведущая звездочка шины
9. Защита для правой руки
10. Рычаг дросселя
11. Крышка звездочки
12. Уловитель цепи
13. Направляющая шина
14. Цепь пилы
15. Ручка стартера
16. Бак масла для смазки цепи
17. Стартер
18. Топливный бак
19. Заслонка
20. Задняя рукоятка
21. Выключатель
22. Винт регулировки холостого хода
23. Кнопка подкачивающего насоса
24. Информационная наклейка
25. Винт механизма натяжения цепи
26. Чехол направляющей шины
27. Комбинированный инструмент
28. Масло для двухтактных двигателей
29. Руководство по эксплуатации (ЕРА)

### Условные обозначения на изделии

(Рис. 2 ) Предупреждение

(Рис. 3 ) Прочтите данное руководство по эксплуатации

(Рис. 4 ) Используйте одобренный защитный шлем и средства защиты глаз и слуха

(Рис. 5 ) Используйте одобренные защитные перчатки

(Рис. 6 ) Изделие соответствует действующим директивам ЕС

(Рис. 7 ) Уровень мощности звука

(Рис. 8 ) Тормоз цепи, не включен (левый). Тормоз цепи, включен (правый)

(Рис. 9 ) Заслонка

(Рис. 10 ) Кнопка подкачивающего насоса

(Рис. 11 ) Повторная заправка

(Рис. 12 ) Точка смазки цепи

(Рис. 13 ) Изделие соответствует действующим директивам ЕАС

(Рис. 14 ) Изделие соответствует действующим директивам Украины

(Рис. 15 ) Уровень шума

(Рис. 16 ) Прочно держите изделие обеими руками

(Рис. 17 ) Запрещается использовать изделие, держа его только одной рукой

(Рис. 18 ) Избегайте контакта с наконечником направляющей шины

(Рис. 19) Помните об отдаче

Изделие соответствует действующим директивам по электромагнитной совместимости Австралии и Новой

(Рис. 20) Зеландии.

**Примечание:** Остальные символы/этикетки на изделии отвечают требованиям, предъявляемым к сертификации в других коммерческих зонах.

## Ответственность изготовителя

В соответствии с законами об ответственности изготовителя мы не несем ответственности за

ущерб, вызванный эксплуатацией нашего изделия в результате:

- ненадлежащего ремонта изделия;
- использования для ремонта изделия неоригинальных деталей или деталей, неодобренных производителем;
- использования неоригинальных дополнительных принадлежностей или неодобренных производителем;
- ремонта изделия в неавторизованном сервисном центре или неквалифицированным специалистом.

# МЕРЫ БЕЗОПАСНОСТИ

## Инструкции по технике безопасности

Ниже приведены определения уровня опасности для каждого сигнального слова.



**ПРЕДУПРЕЖДЕНИЕ:** Травмирование человека.



**ВНИМАНИЕ:** Повреждение изделия.

**Примечание:** Эта информация поможет упростить эксплуатацию изделия.

## Общие инструкции по технике безопасности

- Пользуйтесь изделием правильно. Неправильное использование может привести к травме или смертельному исходу. Изделие предназначено только для выполнения работ, описанных в данном руководстве. Запрещается использовать изделие для других видов работ.
- Внимательно прочитайте инструкции в данном руководстве и следуйте им. Обращайте внимание на знаки безопасности и следуйте инструкциям по технике безопасности. Несоблюдение оператором инструкций и знаков может привести к травме, повреждениям или смерти.
- Не выбрасывайте это руководство. Следуйте инструкциям по сборке, эксплуатации и уходу за изделием. Используйте эти инструкции для правильной установки насадок и дополнительных принадлежностей. Используйте только апробированные насадки и аксессуары.
- Не используйте поврежденное изделие. Соблюдайте график техобслуживания. Выполняйте самостоятельно только те работы по техобслуживанию, которые описаны в данном

руководстве. Все другие работы по техобслуживанию должны выполняться авторизованным сервисным центром.

- В данное руководство невозможно включить все ситуации, которые могут возникнуть при использовании изделия. Будьте осторожны и руководствуйтесь здравым смыслом. Если вы не уверены в ситуации, не используйте изделие и не выполняйте его техобслуживание. Для получения необходимой информации обратитесь к специалисту по продукции, дилеру, специалисту по обслуживанию или в авторизованный сервисный центр.
- Отсоединяйте кабель свечи зажигания перед сборкой изделия, помещением его на хранение или проведением техобслуживания.
- Запрещается использовать изделие, если были изменены его исходные технические характеристики. Запрещено вносить изменения в конструкцию изделия без одобрения производителя. Используйте только рекомендованные производителем детали. Неправильное техобслуживание может привести к травме или смертельному исходу.
- Не вдыхайте выхлопные газы двигателя. Продолжительное вдыхание выхлопных газов двигателя, испарений масла для смазки цепи и древесной пыли опасно для здоровья.
- Запрещается запускать изделие в помещении или рядом с легковоспламеняющимися материалами. Выхлопные газы имеют высокую температуру и могут содержать искры, которые в свою очередь могут привести к пожару. Недостаточная вентиляция может привести к травме или смерти в результате удушья или отравления угарным газом.
- Во время работы данное изделие создает электромагнитное поле. Электромагнитное поле может привести к повреждению медицинских имплантатов. Проконсультируйтесь с врачом и изготовителем имплантата перед использованием изделия.

- Не позволяйте детям использовать изделие.
- Не разрешайте пользоваться изделием людям, которые не знакомы с данными инструкциями.
- Не оставляйте без присмотра людей с физическими или умственными нарушениями, использующих изделие. Они должны постоянно находиться под присмотром взрослого.
- Храните изделие в месте, недоступном для детей и лиц, не имеющих разрешения на использование.
- Во время работы изделие может отбрасывать находящиеся на земле предметы, что может привести к травме. Чтобы уменьшить риск получения серьезных или смертельных травм, соблюдайте инструкции по технике безопасности.
- Запрещается оставлять изделие с работающим двигателем без присмотра. Остановите двигатель и убедитесь, что цепь не вращается.
- При возникновении несчастного случая ответственность несет оператор изделия.
- Перед использованием изделия проверьте детали на отсутствие повреждений.
- Соблюдайте требования национальных или местных законов. В некоторых случаях они могут запрещать или ограничивать использование изделия.

## Инструкции по технике безопасности во время эксплуатации

- Непрерывная или регулярная эксплуатация изделия может привести к "синдрому белых пальцев" или аналогичным заболеваниям, вызванным воздействием вибрации. При продолжительном или регулярном использовании изделия периодически проверяйте состояние своих ладоней и пальцев. При обнаружении таких симптомов, как изменение цвета кожи, боль в ладонях или пальцах, покалывание или потеря чувствительности, немедленно прекратите работу и обратитесь за медицинской помощью.
- Прежде чем использовать изделие, убедитесь, что оно полностью собрано.
- Изделие может отбрасывать находящиеся на земле предметы, что может причинить вред глазам. Всегда пользуйтесь одобренными средствами защиты глаз при использовании изделия.
- Будьте осторожны, во время работы к изделию может незаметно приблизиться ребенок.
- Не пользуйтесь изделием, если в рабочей зоне находятся другие люди. Выключайте изделие при входе другого человека в рабочую зону.

(Рис. 21)

- Всегда держите изделие под контролем.
- При работе с изделием держите его двумя руками. Запрещается работать с изделием, держа его только одной рукой. Работа с

изделием одной рукой может стать причиной серьезной травмы оператора, рабочих, посторонних и т.д.

- Зажмите переднюю рукоятку левой рукой, а заднюю рукоятку – правой. Держите изделие с правой стороны от тела.

(Рис. 22)

- Ни в коем случае не используйте изделие, если вы устали, больны или находитесь под воздействием спиртного или других наркотических веществ.
- Не пользуйтесь изделием, если вы не сможете получить помощь при несчастном случае. Прежде чем начать использовать изделие, всегда сообщайте об этом другим людям.
- Не поворачивайтесь с изделием, не убедившись в отсутствии людей или животных в опасной зоне.
- Перед началом работы уберите все посторонние материалы из рабочей зоны. При ударе цепи о предмет последний может отскочить и привести к травме или повреждению. Посторонние материалы могут намотаться на цепь и привести к повреждению.
- Запрещается пользоваться изделием в плохую погоду, например, при тумане, дожде, сильном ветре, опасности удара молнии и других погодных явлениях. Плохие погодные условия могут создавать опасные условия для работы, например, скользкие поверхности.
- Убедитесь, что вы можете свободно перемещаться и работать в устойчивом положении.
- Убедитесь в отсутствии риска падения во время использования изделия. Запрещается наклоняться во время эксплуатации изделия.
- Всегда держите изделие двумя руками. Зажмите переднюю рукоятку левой рукой, а заднюю рукоятку – правой. Держите изделие с правой стороны от тела.
- Если при запуске двигателя заслонка находится в закрытом положении, цепь начинает вращаться.
- Выключайте двигатель перед перемещением изделия.
- Запрещается класть изделие на землю с работающим двигателем.
- Перед тем как убрать посторонние материалы из изделия, остановите двигатель. Подождите, пока цепь остановится, прежде чем убирать срезанный материал.
- Не используйте данное изделие, если вы находитесь на дереве. Если оператор находится на дереве, использование данного изделия может привести к травме.

(Рис. 23)

- При запуске изделия тормоз цепи должен быть включен, чтобы снизить риск контакта с цепью пилы при запуске.

(Рис. 24 )

- Избегайте отдачи, соскальзывания, отскакивания и проваливания, которые могут привести к серьезным травмам.
- Соблюдайте все инструкции по технике безопасности, чтобы предотвратить отдачу и другие силы, которые могут привести к серьезным травмам.
- Периодически регулируйте натяжение цепи пилы, чтобы предотвратить ее провисание. Слабо натянутая цепь может соскочить и нанести серьезные травмы или привести к смерти.
- При валке дерева обязательно действуйте в соответствии с правильной процедурой. В противном случае возможно травмирование людей, повреждение линии электропитания или имущества.
- Всегда оставайтесь с верхней стороны местности, т.к. поваленное дерево может скатиться вниз.

(Рис. 25 )

- Перед началом выполнения резки запланируйте и очистите путь отхода. Путь отхода должен проходить в направлении назад и по диагонали от возможной траектории падения.

(Рис. 26 )

- Всегда выключайте двигатель перед перемещением изделия от дерева к дереву.
- Всегда выбирайте устойчивое положение ног на земле и равномерно распределяйте свой вес.

(Рис. 27 )

- При использовании изделия всегда сохраняйте устойчивое положение и работайте, только стоя на неподвижной и горизонтальной поверхности. Скользкие или неустойчивые поверхности, такие как лестницы, могут вызвать потерю равновесия или контроля над изделием.

(Рис. 28 )

### **Отдача, соскальзывание, отскакивание и проваливание**

Различные силы могут влиять на безопасное управление изделием.

- **Соскальзывание** наблюдается, когда направляющая шина скользит или быстро перемещается по дереву.
- **Отскакивание** наблюдается, когда направляющая шина отходит от дерева и касается его снова и снова.
- **Проваливание** наблюдается, когда изделие резко смещается вниз после выполнения резки. При этом работающая цепь может коснуться части тела или других предметов, что приводит к травмам или повреждениям.
- **Отдача** наблюдается, когда конец направляющей шины касается предметов и перемещается назад, вверх или резко вперед. Отдача также

происходит, когда дерево смыкается и зажимает цепь пилы во время выполнения резки. Вы можете потерять управление, если изделие коснется какого-либо предмета в дереве.

(Рис. 29 )

- **Вращательная отдача** возможна, когда работающая цепь касается предмета у вершины направляющей шины. Такой контакт может вызвать вхождение цепи в этот предмет, что сразу приводит к остановке цепи. В результате происходит очень быстрая обратная реакция, направляющая шина перемещается вверх и назад в направлении оператора.

(Рис. 30 )

(Рис. 31 )

- **Отдача при заземлении** возможна, когда цепь пилы резко останавливается во время резки. Дерево смыкается и зажимает работающую цепь пилы вдоль верхней части направляющей шины. Внезапная остановка цепи приводит к изменению направления действия силы, прилагаемой со стороны цепи, на обратное и вызывает перемещение пилы в направлении, противоположном направлению вращения цепи. Изделие движется назад в направлении оператора.

(Рис. 32 )

- **Втягивание** может произойти, если цепь пилы резко останавливается, когда работающая цепь касается предмета в дереве вдоль нижнего края направляющей шины. Внезапная остановка толкает пилу вперед, по направлению от оператора, что может привести к потере управления инструментом.

(Рис. 33 )

Прежде чем начать эксплуатацию изделия, убедитесь, что вы понимаете действие различных сил и знаете, как предотвратить их влияние.

### **Предотвращение отдачи, соскальзывания, отскакивания и проваливания**

- Во время работы двигателя крепко держите изделие в руках. Держите правую руку на задней рукоятке, а левую руку — на передней рукоятке. Большие пальцы должны прочно охватывать ручки вместе с остальными пальцами. Не выпускайте изделие из рук.
- Контролируйте изделие во время выполнения резки и после того, как дерево упадет на землю. Не допускайте падения изделия после выполнения резки.(Рис. 34 )
- Убедитесь, что участок, на котором выполняется резка, очищен от нагромождений. Не допускайте касания наконечником направляющей шины бревна, ветки или других нагромождений во время эксплуатации изделия.

- Выполняйте резку на высоких оборотах двигателя.
- Не вытягивайте руки с изделием слишком далеко и не выполняйте резку на уровне выше плеча. (Рис. 35 )
- Строго соблюдайте требования инструкций производителя по заточке и техническому обслуживанию цепи пилы.
- Используйте в качестве замены только направляющие шины и цепи, одобренные производителем.
- Чрезмерно большая регулировка ограничителя глубины увеличивает риск отдачи цепи пилы.

## Средства индивидуальной защиты

- Всегда используйте соответствующее защитное снаряжение при эксплуатации изделия. Защитное снаряжение не исключает риск травмирования. Оно снижает тяжесть травмы при несчастном случае.
- В целом, одежда должна быть плотно подогнана, и в то же время не стеснять свободы движения.
- Используйте одобренный защитный шлем.
- Всегда надевайте одобренные защитные наушники при использовании изделия. Длительное воздействие шума может привести к снижению слуха.
- Пользуйтесь защитными очками или маской, чтобы уменьшить риск травмы отбрасываемыми предметами. Изделие может с большим усилием отбрасывать такие предметы, как опилки, щепки и прочее. Это может привести к серьезным травмам, особенно глаз.
- Надевайте перчатки с защитой от пореза пилой.
- Надевайте брюки с защитой от пореза пилой.
- Надевайте ботинки с защитой от пореза пилой, металлическими носками и нескользящей подошвой.
- Всегда имейте при себе аптечку для оказания первой медицинской помощи.
- Глушитель, направляющая шина, цепь пилы или другие компоненты могут стать источником искр. Всегда держите поблизости противопожарные средства и лопату для предотвращения лесных пожаров.

## Защитные устройства на изделии

- Регулярно выполняйте техническое обслуживание изделия.
  - Повышается срок службы изделия.
  - Уменьшается риск несчастных случаев.

Ваш авторизованный дилер или сервисный центр должен регулярно проверять изделие и выполнять необходимую регулировку и ремонт.

- Запрещается эксплуатировать изделие, если защитное оборудование повреждено. При повреждении изделия обращайтесь в авторизованный сервисный центр.

## Выключатель

Запустите двигатель. Убедитесь, что двигатель останавливается при установке выключателя в положение остановки.

## Проверка стопора рычага дросселя

1. Убедитесь, что рычаг дросселя (B) заблокирован в положении холостого хода в момент отпускания стопора рычага дросселя (A). (Рис. 36 )
2. Нажмите на стопор рычага дросселя (A) и убедитесь, что он возвращается в первоначальное положение при его освобождении.
3. Нажмите на рычаг дросселя (B) и убедитесь, что он возвращается в первоначальное положение при его освобождении.
4. Запустите двигатель и включите максимальную скорость.
5. Отпустите рычаг дросселя и проверьте, остановилась ли цепь пилы.
6. Если цепь пилы вращается на холостых оборотах двигателя, проверьте винт регулировки холостого хода карбюратора.

## Щиток

Щиток предотвращает выброс предметов в сторону оператора. Кроме того, он защищает пользователя от случайного соприкосновения с цепью пилы.

- Убедитесь, что щиток предназначен для эксплуатации вместе с данным изделием.
- Запрещается использовать изделие без щитка.
- Проверьте щиток на наличие повреждений. Замените щиток, если он изношен или поврежден.

## Правила безопасного обращения с топливом

- Запрещается запускать изделие, если на него попало топливо или моторное масло. Удалите постороннее топливо/масло и дайте изделию высохнуть. Удалите постороннее топливо с поверхности изделия.
- Если топливо попало на одежду, немедленно смените ее.
- Не допускайте попадания топлива на тело, это может причинить вред здоровью. При попадании топлива на тело смойте его водой с мылом.
- Запрещается запускать двигатель, если вы пролили масло или топливо на изделие или тело.
- Запрещается запускать изделие при наличии утечки из двигателя. Регулярно проверяйте двигатель на наличие утечек.
- Соблюдайте осторожность при обращении с топливом. Топливо является легковоспламеняющейся жидкостью со

взрывоопасными парами и может привести к серьезным или смертельным травмам.

- Запрещается вдыхать пары топлива, т. к. это может причинить вред здоровью. Убедитесь в наличии достаточного потока воздуха.
- Запрещается курить вблизи топлива или двигателя.
- Запрещается ставить теплые предметы рядом с топливом или двигателем.
- Запрещается доливать топливо при работающем двигателе.
- Прежде чем заправить изделие, убедитесь, что двигатель полностью остыл.
- Перед заправкой топлива медленно откройте крышку топливного бака и осторожно сбросьте давление.
- Запрещается заливать топливо в двигатель в помещении. Недостаточная вентиляция может привести к травме или смерти в результате удушья или отравления угарным газом.
- Аккуратно затяните крышку топливного бака во избежание возгорания.
- Переместите изделие минимум на 3 м (10 футов) от места заправки топливом, прежде чем запустить его.
- Не наливайте в топливный бак слишком много топлива.
- Убедитесь, что при перемещении изделия или емкости для топлива невозможно возникновение утечки.
- Запрещает размещать изделие или емкость для топлива вблизи открытого огня, искр или горящих фитилей. Убедитесь, что в месте хранения отсутствует открытый огонь.
- Используйте только одобренные емкости для переноски и хранения топлива.
- Сливайте топливо из топливного бака перед размещением изделия на длительное хранение. Соблюдайте требования местного законодательства в отношении места утилизации топлива.
- Очистите изделие, прежде чем поместить его на длительное хранение.
- Прежде чем поместить изделие на хранение, снимите кабель свечи зажигания во избежание случайного запуска двигателя.

## **Инструкции по технике безопасности во время технического обслуживания**

- Отсоедините свечу зажигания перед выполнением технического обслуживания

изделия, за исключением регулировки карбюратора.

- Все сервисное обслуживание изделия должен выполнять авторизованный дилер, кроме пунктов, перечисленных в разделе *ТЕХНИЧЕСКОЕ ОБСЛУЖИВАНИЕ* на стр. 324.
- Убедитесь, что при отпускании рычага дросселя цепная пила останавливается.
- Рукоятки должны быть чистыми и сухими; на них не должно быть следов масла или топлива.
- Правильно затягивайте крышки и крепления.
- Использование неодобренных запасных компонентов или снятие защитного оборудования может привести к повреждению изделия. Это также может привести к травмам оператора или посторонних. Пользуйтесь только рекомендованными принадлежностями и запасными частями. Запрещается вносить изменения в конструкцию изделия.
- Регулярно затачивайте цепь пилы и выполняйте ее очистку для обеспечения безопасности и высокой производительности.
- Соблюдайте инструкции по смазке и замене принадлежностей.
- Проверьте изделие на наличие поврежденных деталей. Перед дальнейшей эксплуатацией изделия убедитесь, что поврежденный щиток или деталь функционируют правильно. Проверьте наличие сломанных или неправильно установленных деталей, а также деталей, которые заедают. Проверьте наличие других условий, которые могут влиять на работу изделия. Убедитесь в правильности сборки изделия. Щиток или другие поврежденные детали необходимо отремонтировать или заменить у авторизованного дилера, если не указано иначе в руководстве по эксплуатации.
- Когда изделие не эксплуатируется, храните его в сухом месте наверху или в запортом месте, недоступном для детей.
- Во время транспортировки или хранения изделия используйте чехол направляющей шины или кожух для перемещения изделия.
- Не используйте отработанное масло. Отработанное масло может представлять для вас опасность, а также может привести к повреждению изделия или нанести вред окружающей среде.



## СБОРКА



**ПРЕДУПРЕЖДЕНИЕ:** Перед сборкой изделия внимательно изучите раздел техники безопасности.

### Установка направляющей шины и цепи пилы

1. Переместите передний щиток для рук в направлении передней рукоятки, чтобы отключить тормоз цепи.
2. Переместите ручку в открытое положение. (Рис. 37)
3. Верните ручку против часовой стрелки, чтобы освободить крышку шины. (Рис. 38)
4. Снимите ручку (А) и крышку звездочки. Снимите транспортировочный щиток (при наличии). (Рис. 39)
5. Установите направляющую шину над болтами шины. Отведите направляющую шину в самое заднее положение. Приподнимите цепь над ведущей звездочкой и вставьте ее в паз на направляющей шине. Начинать с верхней стороны направляющей шины. (Рис. 40)
6. Убедитесь, что кромки режущих звеньев направлены вперед на верхней стороне направляющей шины.
7. Установите крышку звездочки и вставьте штифт натяжителя цепи в отверстие на направляющей шине. Убедитесь, что приводные звенья цепи правильно установлены на ведущую звездочку. Убедитесь также, что цепь пилы правильно вставлена в паз на направляющей шине. (Рис. 41)
8. Натяните цепь пилы, поворачивая колесо вниз (+). Установите такое натяжение цепи, чтобы она не провисала под направляющей шиной. (Рис. 42)

9. Цепь пилы натянута правильно, если она не свисает под направляющей шиной, но вы можете легко проворачивать ее вручную.
10. Придерживая носовую часть направляющей шины, поворачивайте ручку по часовой стрелке, чтобы натянуть цепь. (Рис. 43)
  - Регулярно проверяйте натяжение цепи после установки новой цепи до тех пор, пока цепь не приработается.
  - Регулярно проверяйте натяжение цепи. Правильное натяжение цепи гарантирует надлежащие результаты резки и длительный срок службы.

### Регулировка тормоза цепи

Если кожух сцепления случайно слетает при включенном тормозе цепи, чтобы установить кожух в прежнее положение, не задевая барабан сцепления, необходимо сначала разблокировать тормоз цепи.



**ВНИМАНИЕ:** Пружина тормоза цепи находится под давлением. Производите регулировку тормоза цепи с осторожностью.

**Примечание:** Не касайтесь тормозной ленты во время регулировки.

1. Совместите пазы на инструменте для регулировки шины с вращающимся звеном тормоза цепи. (Рис. 44)
2. Для регулировки тормоза проверните вращающееся звено по часовой стрелке до упора. При разблокировке тормоза цепи переднее звено будет находиться в нижнем положении. (Рис. 45) (Рис. 46)

## ЭКСПЛУАТАЦИЯ



**ПРЕДУПРЕЖДЕНИЕ:** Перед началом эксплуатации изделия внимательно изучите раздел техники безопасности.

### Использование топлива



**ВНИМАНИЕ:** Изделие оборудовано двухтактным двигателем. Используйте смесь бензина и масла для двухтактных двигателей. Убедись, что смесь содержит соответствующее количество масла. Неправильное соотношение бензина и

масла может привести к повреждению двигателя.

### Соотношение топливной смеси

Соотношение топливной смеси для бензина и масла для двухтактных двигателей составляет 50:1 (2%)

Бензин	Масло для двухтактных двигателей
1 ам. галлон	77 мл (2,6 унции)
1 брит. галлон	95 мл (3,2 унции)

<b>Бензин</b>	<b>Масло для двухтактных двигателей</b>
5 л	100 мл (3,4 унции)

## Приготовление топливной смеси

1. Определите правильное количество бензина и моторного масла (соотношение смеси 50:1). Не готовьте топливную смесь в количестве из расчета более чем на 30 дней. См. раздел *Использование топлива на стр. 321*.
2. Добавьте половину количества бензина в чистую емкость для топлива с помощью клапана, не допускающего пролива.



**ВНИМАНИЕ:** Запрещается использовать бензин с концентрацией этанола более 10% (E10). Это может привести к повреждению изделия.



**ВНИМАНИЕ:** Не используйте бензин с октановым числом меньше 90 RON (87 AKI). Это может привести к повреждению изделия.

**Примечание:** Используйте бензин с более высоким октановым числом, если изделие часто используется с постоянно высокой частотой оборотов двигателя.

3. Добавьте в емкость для топлива все количество масла для двухтактных двигателей.



**ВНИМАНИЕ:** Всегда используйте высококачественное масло для двухтактных двигателей с воздушным охлаждением. Использование другого масла может привести к повреждению изделия.

4. Встряхните топливную смесь, чтобы смешать компоненты.
5. Добавьте оставшееся количество бензина в емкость для топлива.
6. Встряхните топливную смесь, чтобы смешать компоненты.
7. Залейте топливную смесь в топливный бак изделия. См. раздел *Использование топлива на стр. 321*.

## Заправка топливного бака

1. Убедитесь, что соотношение топливной смеси верное, и что топливная смесь находится в емкости для топлива с клапаном, не допускающим пролива.
2. Если на емкость попало топливо, удалите его и дайте емкости высохнуть.

3. Убедитесь, что область вокруг крышки топливного бака чистая.
4. Снимите крышку топливного бака.
5. Встряхните емкость для топлива, прежде чем налить топливную смесь в топливный бак.
6. Установите на место крышку топливного бака.

## Смазка цепи пилы

Изделие оснащено автоматической системой смазки. Бак масла для смазки цепи и топливный бак спроектированы таким образом, чтобы подача топлива выполнялась перед подачей масла для смазки цепи. Эта функция предполагает использование правильного масла для смазки цепи и строгое соблюдение инструкций.

1. Используйте масло для смазки цепи из растительного материала или стандартное масло.
2. Убедитесь, что область вокруг крышки бака масла для смазки цепи чистая.
3. Снимите крышку бака масла для смазки цепи.
4. Залейте в бак рекомендованное масло для смазки цепи.
5. Установите на место крышку бака масла для смазки цепи.

## Запуск и остановка

### Перед запуском двигателя

- Проверьте изделие на наличие всех, поврежденных, ослабленных или изношенных деталей.
- Проверьте затяжку гаек, винтов и болтов.
- Проверьте воздушный фильтр.
- Проверьте правильность работы стопора рычага дросселя и самого рычага дросселя.
- Проверьте исправность работы выключателя двигателя.
- Проверьте изделие на наличие утечек топлива.
- Проверьте заточку и натяжение цепи пилы.

### Запуск холодного двигателя

1. Переместите передний щиток для рук вперед, чтобы выключить тормоз цепи. (Рис. 47 )
2. Нажмите 6 раз грушу подкачивающего насоса. (Рис. 48 )
3. Переведите заслонку в полностью закрытое положение. (Рис. 49 )
4. Прижмите корпус изделия к земле левой рукой. Зафиксируйте заднюю рукоятку правой ногой, чтобы придать цепной пиле устойчивости. Медленно потяните шнур стартера, пока не почувствуется сопротивление. Затем с усилием потяните ручку шнура стартера 5 раз. (Рис. 50 )

---

**Примечание:** При запуске двигателя запрещается тянуть рычаг дросселя.

---

5. Переведите заслонку в полностью открытое положение.
  6. Тяните ручку шнура стартера до запуска двигателя. Подождите 60 секунд после запуска и потяните рычаг дросселя.
- 



**ВНИМАНИЕ:** Не тяните шнур стартера, пока он не остановится. Не отпускайте шнур стартера, когда он полностью вытянут. Медленно отпустите шнур стартера. Соблюдайте данные инструкции во избежание повреждения двигателя.

---

7. Переместите передний щиток для рук в направлении передней рукоятки, чтобы отключить тормоз цепи.
  8. Зажмите заднюю рукоятку правой рукой, а переднюю рукоятку – левой.
  9. Изделие готово к эксплуатации.
- 

### Запуск прогретого двигателя

1. Переместите передний щиток для рук вперед, чтобы выключить тормоз цепи.
  2. Нажмите 6 раз грушу подкачивающего насоса.
  3. Переведите заслонку в полностью закрытое положение.
  4. Переведите заслонку в полностью открытое положение.
  5. Прижмите корпус изделия к земле левой рукой. Зафиксируйте заднюю рукоятку правой ногой, чтобы придать цепной пиле устойчивости. Медленно потяните шнур стартера, пока не почувствуется сопротивление. Затем с усилием тяните ручку шнура стартера до запуска двигателя. (Рис. 51)
- 

**Примечание:** При запуске двигателя запрещается тянуть рычаг дросселя.

---



**ВНИМАНИЕ:** Не тяните шнур стартера, пока он не остановится. Не отпускайте шнур стартера, когда он полностью вытянут. Медленно отпустите шнур стартера. Соблюдайте данные инструкции во избежание повреждения двигателя.

---

6. Переместите передний щиток для рук в направлении передней рукоятки, чтобы отключить тормоз цепи.
  7. Зажмите заднюю рукоятку правой рукой, а переднюю рукоятку – левой.
  8. Изделие готово к эксплуатации.
- 

### Запуск двигателя, когда топливо очень горячее

Если изделие не запускается, возможно, топливо слишком горячее.

---

**Примечание:** Всегда используйте свежее топливо и снижайте время работы в теплую погоду.

---

1. Поместите изделие в прохладное место, куда не попадают прямые солнечные лучи.
  2. Подождите, пока изделие остынет (не менее 20 минут).
  3. Нажимайте на грушу в течение 10-15 секунд.
  4. Выполните процедуру запуска холодного двигателя. См. раздел *Запуск холодного двигателя на стр. 322*.
- 

### Остановка двигателя

- Нажмите на выключатель, чтобы остановить двигатель.
- 

**Примечание:** Выключатель автоматически возвращается в исходное положение.

---

### Использование зубчатого упора

Зубчатый упор предотвращает отдачу и удерживает дерево во время резки. Зубчатый упор представляет собой шарнир между корпусом двигателя и направляющей шиной.

1. Установите нижний край зубчатого упора на правильную ширину недопила.
  2. Надавливайте левой рукой на переднюю рукоятку, поднимая при этом заднюю рукоятку правой рукой.
  3. Выполняйте пропил, пока не достигнете необходимой ширины недопила.
- 

**Примечание:** Недопил должен быть одинаковой толщины по всей длине.

---

4. Выполните пропил на расстоянии больше половины диаметра, а затем вставьте в разрез валочный клин.
- 

### Валка дерева

1. Очистите дерево от грязи, камней, отсоединившейся коры, гвоздей, скоб и проволоки.
  2. Выполните подпил на 1/3 диаметра дерева перпендикулярно направлению падения. (Рис. 52)
  3. Выполните нижний горизонтальный рез подпила. Это позволит избежать защемления цепи пилы или направляющей шины при выполнении второго подпила.
-

4. Выполните пропил (X), противоположный направлению валки, как минимум на 50 мм (2 дюйма) выше горизонтального реза подпила. Выполняйте пропил, противоположный направлению валки, параллельно горизонтальному резу подпила, оставляя достаточно места для недопила ("шарнир"). Обязательно оставляйте недопил. Недопил в стволе позволяет избежать его перекашивания и падения в неправильном направлении. (Рис. 53 ) (Рис. 54 )
5. По мере того как пропил, противоположный направлению валки, приближается к недопилу, дерево начинает падать. Убедитесь, что дерево падает в правильном направлении, а не назад, зажимая цепь пилы. Во избежание такой ситуации прекратите резку, прежде чем пропил, противоположный направлению валки, будет завершен. С помощью деревянных, пластмассовых или алюминиевых клиньев раскройте пропил и дайте дереву упасть по необходимой траектории падения. (Рис. 55 )
6. Когда дерево начинает падать, необходимо убрать изделие из пропила, выключить двигатель, опустить изделие и воспользоваться запланированным путем отхода. Остерегайтесь падающих сверху сучьев и смотрите под ноги. (Рис. 56 )

## Обрезка сучьев

1. Используйте более крупные сучья для удерживания бревна над землей.

2. Удаляйте небольшие сучья за один раз. (Рис. 57 )
3. Обрезайте ветки, находящиеся в напряжении, снизу вверх, чтобы избежать защемления цепи пилы или направляющей шины.

## Распиловка бревна



**ВНИМАНИЕ:** Не допускайте соприкосновения цепной пилы с землей.

- Если бревно установлено на опоры по всей длине, выполняйте распиловку, начиная с верхней части бревна ("сверху вниз"). (Рис. 58 )
- Если бревно установлено на опору с одной стороны, выполните рез на 1/3 диаметра, начиная с нижней части бревна ("снизу вверх"). (Рис. 59 )
- Если бревно установлено на опоры с двух краев, выполните рез на 1/3 диаметра, начиная сверху. Завершите распиловку, выполнив рез снизу вверх на 2/3 бревна, соединив его с первым резом. (Рис. 60 )
- При распиловке бревна на склоне всегда стойте с верхней стороны бревна. Разрезайте бревно, полностью контролируя изделие; затем снизьте давление резки ближе к концу реза, не отпуская заднюю и переднюю рукоятки. (Рис. 61 )

# ТЕХНИЧЕСКОЕ ОБСЛУЖИВАНИЕ



**ПРЕДУПРЕЖДЕНИЕ:** Перед очисткой, ремонтом или техническим обслуживанием изделия внимательно изучите раздел техники безопасности.

## График технического обслуживания

Соблюдайте график техобслуживания. Интервалы рассчитаны на основе ежедневной эксплуатации изделия. Если изделие не используется каждый день, интервалы будут другими. Выполняйте самостоятельно только те работы по техобслуживанию, которые описаны в данном руководстве. Другие работы по техобслуживанию, не описанные в этом руководстве, должны выполняться авторизованным сервисным центром.

## Ежедневное обслуживание

- Очистите внешние поверхности.
- Убедитесь, что стопор рычага дросселя и сам рычаг дросселя исправны.
- Очистите тормоз цепи и убедитесь, что он исправен.

(Рис. 62 )

- Осмотрите уловитель цепи на наличие повреждений. Если уловитель цепи поврежден, замените его.

(Рис. 63 )

- Ежедневно проворачивайте направляющую шину для более равномерного износа.
- Убедитесь, что отверстие для смазки в направляющей шине не засорилось.

(Рис. 64 )

- Очистите паз направляющей шины.

(Рис. 65 )

- Убедитесь, что направляющая шина и цепь пилы смазываются достаточным количеством масла.
- Проверьте цепь пилы:
  - на наличие трещин в местах сочленений и звеньях цепи.
  - на наличие неравномерного износа сочленений и звеньев.
  - на правильность натяжения.

При необходимости замените цепь пилы.

- Заточите цепь пилы. См. раздел *Заточка цепи пилы на стр. 326*.
- Проверьте ведущую звездочку на наличие чрезмерного износа и при необходимости замените ее.

(Рис. 66)

- Очистите воздухозаборник стартера.
- Проверьте затяжку гаек и винтов.
- Проверьте работу выключателя.
- Осмотрите двигатель, бак и топливные линии на наличие утечек топлива.
- Убедитесь, что цепь пилы не вращается во время работы двигателя на холостых оборотах.

## Еженедельное обслуживание

- Проверьте работу системы охлаждения.
- Проверьте работу стартера, шнура стартера и возвратной пружины.
- Проверьте виброгасящие элементы на наличие повреждений.

(Рис. 67)

- Сточите все заусенцы на кромках направляющей шины.
- Очистите или замените искрогасительную сетку на глушителе.

(Рис. 68)

- Очистите внешние поверхности карбюратора и прилегающих областей.
- Очистите воздушный фильтр. Установите новый воздушный фильтр, если он поврежден или слишком сильно загрязнен и его невозможно полностью очистить. Дополнительные сведения см. в разделе *Очистка воздушного фильтра на стр. 326*.

## Ежемесячное обслуживание

- Осмотрите ленту тормоза цепи на наличие износа. Замените ленту тормоза, если ее толщина менее 0,6 мм (0,024 дюйма) в точке максимального износа.

(Рис. 69)

- Осмотрите муфту сцепления, ее барабан и пружины на наличие износа.
- Очистите свечу зажигания. Проверьте правильность зазора между электродами.

(Рис. 70)

- Очистите внешние поверхности карбюратора и прилегающих областей.
- Осмотрите топливный фильтр и топливный шланг. При необходимости выполните замену.
- Опорожните топливный бак.
- Опорожните масляный бак.
- Осмотрите все провода и соединения.

## Ежегодное обслуживание

- Проверьте свечу зажигания.
- Очистите внешние поверхности карбюратора и прилегающих областей.
- Очистите систему охлаждения.
- Проверьте искрогасительную сетку.
- Проверьте топливный фильтр.
- Проверьте топливный шланг на наличие повреждений.
- Осмотрите все провода и соединения.

## Периодическое обслуживание

- Выполните ремонт или замену глушителя через 50 часов эксплуатации в авторизованном сервисном центре.
- Выполните техобслуживание свечи зажигания в случае:
  - низкого уровня мощности двигателя.
  - трудностей при запуске двигателя.
  - некорректной работы двигателя на холостых оборотах.
- Проверяйте смазку цепи пилы каждый раз при заправке топливом. См. раздел *Проверка смазки цепи пилы на стр. 327*.

## Регулировка скорости холостого хода

Перед регулировкой скорости холостого хода убедитесь, что воздушный фильтр чистый и установлена крышка воздушного фильтра.

1. Поворачивайте винт регулировки холостого хода, отмеченный символом "Т", по часовой стрелке, пока цепь пилы не начнет вращаться.
2. Поворачивайте винт регулировки холостого хода, отмеченный символом "Т", против часовой стрелки, пока цепь пилы не остановится.
3. Скорость холостого хода должна быть ниже скорости, при которой цепь пилы начинает вращаться. Скорость холостого хода правильная, если двигатель работает ровно во всех положениях.

## Очистка искрогасительной сетки

1. Для очистки искрогасительной сетки используйте металлическую щетку.



**ВНИМАНИЕ:** Используйте только рекомендуемые свечи зажигания. Убедитесь, что запчасть имеет такие же характеристики, что и деталь производителя. Применение неподходящих свечей зажигания может привести к повреждению изделия.

1. Если изделие запускается с трудом или не работает, проверьте свечу зажигания на наличие посторонних материалов. Чтобы уменьшить риск появления посторонних материалов на электродах свечи зажигания:
  - a) убедитесь в правильности регулировки скорости холостого хода;
  - b) убедитесь в правильности состава топливной смеси;
  - c) убедитесь, что воздушный фильтр чист;
2. очистите свечу зажигания, если она загрязнена. Проверьте правильность зазора между электродами. (Рис. 71 )
3. При необходимости замените свечу зажигания.

## Очистка воздушного фильтра

1. Снимите крышку воздушного фильтра и воздушный фильтр.
2. Промойте воздушный фильтр теплой мыльной водой. Перед установкой фильтра на место убедитесь, что он полностью высох.
3. Если воздушный фильтр слишком грязный, чтобы полностью его очистить, замените его. Всегда заменяйте поврежденный воздушный фильтр.

## Заточка цепи пилы

### Резец

Режущая часть цепи пилы называется резцом и состоит из режущего зубца (А) и ограничителя глубины (В). Глубина резки резца определяется как разница между этими двумя величинами, т.н. регулировка ограничителя глубины (С).

(Рис. 72 )

При заточке режущего зубца следует учитывать четыре параметра:

- Угол заточки.

(Рис. 73 )

- Угол резания.

(Рис. 74 )

- Положение напильника.

(Рис. 75 )

- Диаметр круглого напильника.

(Рис. 76 )

### Заточка режущих зубцов

При заточке режущих зубцов используйте круглый напильник и шаблон для заточки. Сведения о рекомендуемом размере напильника и шаблона для цепи пилы, установленной на вашем изделии, см. в разделе *Комбинации комплекта заточки и цепи пилы на стр. 329.*

1. Убедитесь, что цепь пилы натянута правильно. Слабое натяжение затрудняет правильную заточку.
2. Сначала заточите все зубцы с одной стороны. Заточите режущие зубцы с внутренней стороны, уменьшая давление на напильник при обратном движении.
3. Переверните изделие и заточите зубцы с другой стороны.
4. Протачивайте все зубцы до одной и той же длины. Если длина режущего зубца составляет 4 мм (5/32 дюйма), цепь пилы считается изношенной и подлежит замене. (Рис. 77 )

## Регулировка ограничителя глубины

Заточите режущие зубцы перед регулировкой ограничителя глубины. См. раздел *Заточка режущих зубцов на стр. 326.* После заточки режущих зубцов (А) регулировка ограничителя глубины (С) уменьшится. Для выполнения качественной резки следует сточить ограничитель глубины (В) до рекомендуемого значения. Правильную регулировку ограничителя глубины для вашей цепи см. в разделе *Комбинации комплекта заточки и цепи пилы на стр. 329.*

(Рис. 78 )

(Рис. 79 )

---

**Примечание:** Данная рекомендация предполагает, что длина режущих зубцов не меньше рекомендованной.

---

Используйте для регулировки ограничителя глубины плоский напильник и шаблон ограничителя глубины.

1. Установите шаблон ограничителя глубины над цепью пилы. Подробная информация по использованию шаблона ограничителя глубины приведена на упаковке.
2. Используйте плоский напильник для стачивания выступающей над шаблоном части ограничителя глубины. Регулировка ограничителя глубины считается правильной, если при прохождении напильником по шаблону не чувствуется сопротивление.

## Натяжение цепи пилы

---

**Примечание:** Во время приработки новой цепи регулярно проверяйте ее натяжение.

---

1. Отверните гайки крепления направляющей шины, которые удерживают крышку звездочки. Используйте комбинированный ключ. (Рис. 80 )
2. Затяните гайки крепления направляющей шины от руки с максимально возможным усилием.
3. Поднимите верхнюю часть направляющей шины и увеличьте длину цепи, затягивая винт механизма натяжения цепи. Используйте комбинированный ключ. Установите такое

- натяжение цепи пилы, чтобы она не провисала в нижней части направляющей шины. (Рис. 81 )
- Затяните гайки крепления направляющей шины с помощью комбинированного ключа и одновременно поднимите носовую часть направляющей шины. (Рис. 82 )
  - Убедитесь, что вы можете свободно двигать цепь рукой, но при этом она не провисает. (Рис. 83 )

## Смазка режущего оборудования

### Проверка смазки цепи пилы

Проверяйте смазку цепной пилы каждый раз при заправке топливом.

- Запустите изделие и дайте ему поработать со скоростью 3/4. Направьте наконечник направляющей шины на светлую поверхность на расстоянии прибл. 20 см (8 дюймов).

- Через 1 минуту работы на поверхности появится масляная полоса.
- Если через 1 минуту масляная полоса не появилась, очистите смазочный канал в направляющей шине. Очистите паз на кромке направляющей шины. Убедитесь, что ведущая звездочка направляющей шины свободно вращается, а в отверстии смазки нет засоров. Очистите и смажьте ведущую звездочку.
- Запустите изделие и дайте ему поработать со скоростью 3/4. Направьте наконечник шины на светлую поверхность на расстоянии прибл. 20 см (8 дюймов).
- Через 1 минуту работы на поверхности появится масляная полоса.
- Если через 1 минуту масляная полоса не появилась, обратитесь к авторизованному дилеру.

## ТРАНСПОРТИРОВКА

- Опорожните топливный и масляный баки перед транспортировкой. Надлежащим образом утилизируйте отработанные жидкости.
- На время транспортировки установите на режущее оборудование чехол направляющей шины. Это позволит предотвратить риск случайного контакта с острой цепью пилы.

Неработающая пила может привести к травмам оператора или других людей при контакте с острой цепью.

- Перед транспортировкой снимите колпачок свечи зажигания и включите тормоз цепи.
- Убедитесь, что изделие неподвижно зафиксировано во время транспортировки.

## ХРАНЕНИЕ

- Всегда убирайте изделие согласно технике безопасности, когда оно не эксплуатируется. Утечки и выхлопы из изделия могут вступить в контакт с искрами, открытым пламенем от электрического оборудования, электрических газокосилок, реле/переключателей, котлов и т.д.
- Всегда храните топливо в соответствующей емкости.
- Опорожняйте топливный бак и бак масла для смазки цепи, когда изделие находится на хранении в течение длительного периода

времени. Надлежащим образом утилизируйте отработанные жидкости.

- На время хранения установите на направляющую шину чехол. Это позволит предотвратить риск случайного контакта с острой цепью пилы. Неработающая пила может привести к серьезным травмам оператора или других людей при контакте с острой цепью.
- Перед помещением на хранение снимите колпачок свечи зажигания и включите тормоз цепи.

## ТЕХНИЧЕСКИЕ ДАННЫЕ

	Единица измерения	120 Mark II (P02138HV)
<b>Спецификации двигателя</b>		
Объем цилиндра	см <sup>3</sup>	38
Свеча зажигания		Champion RCJ7Y
Зазор между электродами	мм (дюйм)	0,5 (0,02)
Объем топливного бака	см <sup>3</sup>	300

	Единица измерения	120 Mark II (P02138HV)
Холостой ход	мин <sup>-1</sup>	2800-3200
Выходная мощность при 9000 мин <sup>-1</sup>	кВт	1,4
Период устойчивости характеристик выбросов	ч	50
<b>Уровень шума и вибрации</b>		
Эквивалентный уровень вибрации, $a_{hveq}$ , передняя ручка <sup>106</sup>	м/с <sup>2</sup>	4,5
Эквивалентный уровень вибрации, $a_{hveq}$ , задняя ручка <sup>107</sup>	м/с <sup>2</sup>	6,0
Уровень мощности звука, гарантированный ( $L_{WA}$ ) <sup>108</sup>	дБ(А)	116
Уровень мощности звука, измеренный <sup>109</sup>	дБ(А)	110
Уровень звукового давления на уровне уха оператора <sup>110</sup>	дБ(А)	95
<b>Размеры изделия</b>		
Вес (без режущего оборудования)	кг	4,9
Объем масляного бака	см <sup>3</sup>	200
<b>Топливная система и система смазки</b>		
Подача масляного насоса при 9000 мин <sup>-1</sup>	мл/мин	7
Объем масляного бака	см <sup>3</sup>	200
Тип масляного насоса		Автоматический
<b>Цепь пилы и направляющая шина</b>		
Стандартная длина направляющей шины	см (дюйм)	35-40 (14-16)
Рекомендуемая длина шины	см (дюйм)	35-45 (14-18)
Полезная длина резания	см (дюйм)	34-39 (13,5-15,5)
Максимальная скорость цепи пилы	м/с	22,3
Шаг цепи пилы	мм (дюйм)	8,3 (0,325)
		9,52 (3/8)
Толщина приводных звеньев (шаблон)	мм (дюйм)	1,3 (0,05)
Тип ведущей звездочки		Зубчатое колесо

<sup>106</sup> Эквивалент уровня вибрации, согласно ISO 22867, вычисляется как взвешенная по времени сумма энергии для разных уровней вибрации при различных условиях работы. Указанные данные о среднем уровне вибраций имеют типичный статистический разброс (стандартное отклонение) 1 м/с<sup>2</sup>.

<sup>107</sup> Эквивалент уровня вибрации, согласно ISO 22867, вычисляется как взвешенная по времени сумма энергии для разных уровней вибрации при различных условиях работы. Указанные данные о среднем уровне вибраций имеют типичный статистический разброс (стандартное отклонение) 1 м/с<sup>2</sup>.

<sup>108</sup> Излучение шума в окружающую среду, измеренное как звуковая мощность ( $L_{WA}$ ).

<sup>109</sup> Излучение шума в окружающую среду, измеренное как звуковая мощность ( $L_{WA}$ ).

<sup>110</sup> Эквивалент уровня звукового давления вычисляется как взвешенная по времени сумма энергии для разных значений звукового давления при различных условиях работы. Типичный статистический разброс для эквивалентного звукового давления — это стандартное отклонение 1 дБ(А).



	Единица измерения	120 Mark II (P02138HV)
Количество зубов на ведущей звездочке		6 (ведущей звездочке 3/8)  7 (ведущей звездочке 0,325)

## ПРИНАДЛЕЖНОСТИ

### Комбинации направляющей шины и цепи

Следующее режущее оборудование рекомендовано для данного изделия.

Направляющая шина				Цепь пилы	
Длина, см (дюйм)	Шаг, мм (дюйм)	Шаблон, мм (дюйм)	Максимальное количество зубов конечной звездочки	Тип	Кол-во приводных звеньев
33 (13)	8,25 (0,325)	1,3 (0,050)	10T	Husqvarna H30	56
38 (15)	8,25 (0,325)				64
35 (14)	9,52 (3/8)		7T	Husqvarna H37	52
40 (16)	9,52 (3/8)				56
45 (18)	9,52 (3/8)				62

### Комбинации комплекта заточки и цепи пилы

Цепь пилы					
Тип цепи	Размер круглого напильника	Угол боковой пластины	Угол верхней пластины	Угол обработки напильником	Регулировка ограничителя глубины
H30	3/16 дюйма / 4,8 мм	60°	30°	10°	0,025 дюйма / 0,65 мм
H37	5/32 дюйма / 4,0 мм	60°	30°	0°	0,025 дюйма / 0,65 мм

## СОДЕРЖАНИЕ ДЕКЛАРАЦИИ О СООТВЕТСТВИИ ЕС

Компания Husqvarna AB, SE 561 82 Huskvarna, ШВЕЦИЯ, под свою исключительную ответственность заявляет, что представленное изделие:

Описание	Бензиновая цепная пила
Марка	Husqvarna

<b>Описание</b>	<b>Бензиновая цепная пила</b>
Платформа / Тип / Модель	Платформа P02138HV, представленная моделью 120 Mark II
Партия	Серийный номер с 2018 года и далее

полностью соответствует следующим директивам и нормам ЕС:

<b>Директива/Норматив</b>	<b>Описание</b>
2006/42/EC	"о механическом оборудовании"
2014/30/EU	"об электромагнитной совместимости"
2000/14/EC	"об излучении шума от оборудования, размещенного вне помещения"

Применяются следующие согласованные стандарты и/или технические спецификации: EN ISO 12100, EN ISO 11681-1, CISPR 12, ISO 14982

В соответствии с директивой 2000/14/EC, приложение V, заявленные значения звукового давления указаны в разделе технических данных настоящего руководства и в подписанной декларации соответствия ЕС.

Организацией TÜV Rheinland LGA Products GmbH, уполномоченная организация по машиностроению (регистрация под номером 0197), Tillystraße 2 - 90431 Nürnberg, Германия, был проведен типовой контроль ЕС в соответствии с директивой по оборудованию 2006/42/EC, статья 12, пункт 3b.

Сертификат типового контроля, в соответствии с приложением IX, предоставленный в подписанной декларации соответствия, действителен для всех предприятий и стран производителя, как указано на изделии.

Данная цепная пила соответствует образцу, прошедшему проверку на соответствие нормам ЕС.

---

## Obsah

---

ÚVOD.....	331	PREPRAVA.....	341
BEZPEČNOSŤ.....	332	SKLADOVANIE.....	342
MONTÁŽ.....	336	TECHNICKÉ ÚDAJE.....	342
PREVÁDZKA.....	336	PRÍSLUŠENSTVO.....	343
ÚDRŽBA.....	339	OBSAH VYHLÁSENIA O ZHODE ES.....	344

---

## ÚVOD

---

### Návod na obsluhu

Pôvodný jazyk tohto návodu na obsluhu je angličtina. Návody na obsluhu v iných jazykoch sú jeho preložené verzie z angličtiny.

### Prehľad

(Obr. 1 )

1. Štítok s číslom výrobku a výrobným číslom
2. Zaistenie páčky plynu
3. Predná rukoväť
4. Kryt valca
5. Brzda reťaze a predný chránič ruky
6. Tlmič výfuku
7. Opierka rezania
8. Vodiace koliesko lišty
9. Ochranný kryt pravej ruky
10. Páčka plynu
11. Kryt reťazového kolieska
12. Zachytávač reťaze
13. Vodiaca lišta
14. Reťaz píly
15. Rukoväť štartovacieho lanka
16. Nádrž na olej na mazanie reťaze
17. Štartér
18. Palivová nádrž
19. Ovládanie sýtiča
20. Zadná rukoväť
21. Vypínač
22. Nastavovacia skrutka voľnobehu
23. Nastrekovací balónik
24. Typový a výstražný štítok
25. Skrutka na napínanie reťaze
26. Kryt vodiacej lišty
27. Kombinovaný nástroj
28. Dvojtaktný olej
29. Návod na obsluhu (v súlade s nariadeniami agentúry EPA)

### Symbole na výrobku

(Obr. 2 ) Výstraha

(Obr. 3 ) Prečítajte si tento návod

(Obr. 4 ) Použite schválenú ochranu hlavy, schválené chrániče sluchu a chrániče očí

(Obr. 5 ) Používajte schválené ochranné rukavice

(Obr. 6 ) Tento výrobok je v súlade s príslušnými smernicami EÚ

(Obr. 7 ) Hladina hlučnosti

(Obr. 8 ) Brzda reťaze, neaktivovaná (vľavo). Brzda reťaze, aktivovaná (vpravo)

(Obr. 9 ) Ovládanie sýtiča

(Obr. 10 ) Nastrekovací balónik

(Obr. 11 ) Doplnenie nádrže

(Obr. 12 ) Plnenie oleja na mazanie reťaze

(Obr. 13 ) Tento výrobok je v súlade s príslušnými smernicami EAC

(Obr. 14 ) Tento výrobok je v súlade s príslušnými ukrajinskými smernicami

(Obr. 15 ) Hladina hluku

(Obr. 16 ) Výrobok držte pevne oboma rukami

(Obr. 17 ) Pri používaní ho nedržte jednou rukou

(Obr. 18 ) Vyhybajte sa kontaktu so špičkou vodiacej lišty

(Obr. 19 ) Dávajte pozor na spätný náraz

Tento výrobok je v súlade so smernicami o elektromagnetickej kompatibilite platnými (Obr. 20) v Austrálii a na Novom Zélande.

**Poznámka:** Ostatné symboly/emblémy na výrobok odkazujú na požiadavky certifikácie pre ďalšie komerčné oblasti.

## Zodpovednosť za výrobok

V súlade s právnymi predpismi upravujúcimi zodpovednosť za výrobok nenesieme zodpovednosť za škody spôsobené naším výrobkom v dôsledku:

- nesprávne vykonanej opravy výrobku,
- opravy výrobku, pri ktorej neboli použité diely od výrobcu alebo diely schválenej výrobcom,
- používania príslušenstva od iného výrobcu alebo príslušenstva, ktoré nie je schválené výrobcom,
- opravy výrobku, ktorá nebola vykonaná v schválenom servisnom stredisku alebo schválenými kompetentnými osobami,

# BEZPEČNOSŤ

## Bezpečnostné definície

Nižšie uvedené definície označujú úroveň závažnosti pre každé signálne slovo.



**VÝSTRAHA:** Poranenie osôb.



**VAROVANIE:** Poškodenie výrobku.

**Poznámka:** Táto informácia napomáha k jednoduchšiemu používaniu výrobku.

## Všeobecné bezpečnostné pokyny

- Výrobok používajte správne. Nesprávne používanie môže mať za následok poranenie alebo smrť. Výrobok používajte len na účely uvedené v tomto návode. Výrobok nepoužívajte na iné účely.
- Prečítajte, porozumejte a dodržiavajte pokyny uvedené v tomto návode. Dodržiavajte bezpečnostné symboly a bezpečnostné pokyny. Ak používateľ nebude dodržiavať uvedené pokyny a symboly, môže dôjsť k poraneniu, poškodeniu alebo smrti.
- Tento návod nezahadzujte. Tieto pokyny poskytujú všetky potrebné kroky na montáž a prevádzku výrobku a pomôžu vám udržať výrobok v dobrom stave. Tieto pokyny poskytujú všetky potrebné kroky na správnu inštaláciu doplnkov a príslušenstva. Používajte len schválené doplnky a príslušenstvo.
- Ak sa výrobok poškodí, nepoužívajte ho. Dodržiavajte plán údržby. Vykonávajte len údržbu, ku ktorej nájdete pokyny v tomto návode. Všetky ostatné práce týkajúce sa údržby musí vykonať schválené servisné stredisko.
- Tento návod na obsluhu nezahŕňa všetky situácie, s ktorými sa môžete počas používania tohto výrobku stretnúť. Pri jeho používaní zachovávajte opatrnosť a riadte sa zdravým úsudkom. Výrobok nepoužívajte

ani na ňom nevykonávajte žiadnu údržbu, ak s istotou neviete, o aký problém sa jedná. Kontaktujte produktového odborníka, predajcu, servisného zástupcu alebo schválené servisné stredisko a požiadajte o informácie.

- Pred montážou výrobku, jeho uskladnením alebo vykonávaním údržby odpojte kábel zapalovacej sviečky.
- Výrobok nepoužívajte, ak sa zmenili jeho pôvodné technické špecifikácie. Nevymieňajte diely výrobku bez schválenia výrobcu. Používajte len diely schválené výrobcom. Nesprávna údržba môže mať za následok poranenie alebo smrť.
- Nevdychujte výpary z motora. Dlhodobé vdychovanie výfukových plynov motora, olejovej hmly z reťaze a pilín môže predstavovať zdravotné riziko.
- Neštartujte výrobok vo vnútri ani v blízkosti horľavého materiálu. Výfukové plyny sú horúce a môžu obsahovať iskry, ktoré môžu spôsobiť požiar. Bez dostatočnej prúdenia vzduchu môže dôjsť k zraneniu alebo usmrteniu spôsobeným udusením alebo oxidom uhoľnatým.
- Tento výrobok počas prevádzky vytvára elektromagnetické pole. Elektromagnetické pole môže poškodiť implantované lekárske prístroje. Pred používaním tohto výrobku sa poraďte sa so svojím lekárom a výrobcom implantovaného lekárskeho prístroja.
- Nedovoľte, aby výrobok používali deti.
- Nedovoľte, aby výrobok používali osoby, ktoré nepoznajú potrebné pokyny.
- Osoby so zníženými fyzickými alebo duševnými schopnosťami musia byť počas používania výrobku vždy pod dozorom. Vyžaduje sa neustála prítomnosť zodpovednej dospeléj osoby.
- Výrobok bezpečne uzamknite na mieste, ku ktorému nemajú prístup deti a nepovolené osoby.
- Počas používania sa môžu od výrobku odraziť predmety a spôsobiť poranenia. Dodržiavajte bezpečnostné pokyny, aby ste znížili riziko poranenia alebo smrti.

- Nevzdľajte sa od výrobku, keď je zapnutý motor. Zastavte motor a uistite sa, že sa reťaz neotáča.
- V prípade nehody zodpovedá za následky používateľa.
- Pred používaním výrobku sa uistite, že nie sú poškodené žiadne diely.
- Dodržiavajte národné alebo miestne právne predpisy. V určitých podmienkach môžu zakazovať alebo obmedzovať prevádzku výrobku.

## Bezpečnostné pokyny pre prevádzku

- Nepretržitá alebo pravidelná prevádzka výrobku môže viesť k syndrómu bielych prstov alebo k podobným zdravotným problémom vyplývajúcim z vibrácií. Ak výrobok používate nepretržite alebo pravidelne, dbajte na starostlivosť o stav vašich rúk a prstov. Ak budú vaše ruky alebo prsty vykazovať známky straty sfarbenia, začnú vás boľieť, chvieť sa alebo vám znečitlivejú, prestaňte pracovať a okamžite kontaktujte svojho lekára.
- Pred používaním sa uistite, že je výrobok plne zmontovaný.
- Počas používania sa môžu od výrobku odraziť predmety a spôsobiť poranenie očí. Počas používania výrobku vždy používajte schválené chrániče očí.
- Počas používania dávajte pozor, aby sa do blízkosti výrobku bez vášho vedomia nedostalo dieťa.
- Výrobok nepoužívajte, ak sa v pracovnej zóne nachádzajú iné osoby. Ak sa do pracovnej zóny dostane osoba, výrobok vypnite.

### (Obr. 21)

- Uistite sa, že výrobok máte vždy úplne pod kontrolou.
- Výrobok sa musí pri používaní držať obidvoma rukami. Pri používaní výrobok nedržte jednou rukou. Použitie jednou rukou môže zapríčiniť vážne poranenie obsluhujúceho pracovníka, pracovníkov a okolostojacich osôb.
- Prednú rukoväť držte ľavou rukou a zadnú rukoväť držte pravou rukou. Výrobok držte na pravej strane tela.

### (Obr. 22)

- Výrobok nepoužívajte v prípade únavy, choroby alebo pod vplyvom alkoholu či liekov.
- Výrobok nepoužívajte, ak v prípade nehody nie je k dispozícii pomoc. Skôr ako výrobok naštartujete, informujte ostatných, že sa ho chystáte používať.
- Pri otáčaní sa s výrobkom sa najskôr uistite, že sa v bezpečnostnej zóne nenachádzajú žiadne osoby ani zvieratá.
- Skôr ako začnete, odstráňte z pracovnej zóny všetok neželaný materiál. Ak reťaz narazí na predmet, ten sa môže odraziť a spôsobiť poranenie alebo poškodenie. Neželaný materiál sa môže zachytiť do reťaze a spôsobiť poškodenie.
- Výrobok nepoužívajte v nepriaznivom počasí, akým je napríklad hmla, dážď, silný vietor, počasie s

rizikom zásahu bleskom alebo iné nepriaznivé poveternostné podmienky. Nepriaznivé počasie môže mať za následok vznik nebezpečných podmienok, akými sú napr. klzké povrchy.

- Uistite sa, že sa môžete voľne pohybovať a pracovať v stabilnej polohe.
- Uistite sa, že počas používania výrobku nemôžete spadnúť. Počas obsluhy výrobku sa nenakláňajte.
- Výrobok vždy držte oboma rukami. Prednú rukoväť držte ľavou rukou a zadnú rukoväť držte pravou rukou. Výrobok držte na pravej strane tela.
- Ak je ovládanie sýtiča počas naštartovania motora v polohe sýtiča, reťaz sa začne otáčať.
- Pred premiestňovaním výrobok vypnite.
- Nekladte výrobok na zem, keď je zapnutý motor.
- Pred odstránením neželaného materiálu z výrobku zastavte motor. Skôr ako vy alebo iná osoba začnete s odstraňovaním nakoseného materiálu, počkajte, kým sa reťaz zastaví.
- Tento výrobok nepoužívajte na strome. Použitie výrobku na strome môže mať za následok osobné poranenie.

### (Obr. 23)

- Pri štartovaní výrobku musí byť aktivovaná brzda reťaze, aby sa znížilo riziko, že sa vás reťaz pily počas štartovania dotkne.

### (Obr. 24)

- Zabráňte spätnému nárazu, odskočeniu, zošmyknutiu a pádu, ktoré môžu viesť k vážnemu poraneniu.
- Dodržiavajte všetky bezpečnostné pokyny a zabráňte spätnému nárazu a ďalším silám, ktoré môžu viesť k vážnemu poraneniu.
- Pravidelne upravujte napnutie reťaze pily, aby reťaz pily nebola uvoľnená. Uvoľnená reťaz pily môže spadnúť a spôsobiť vážne zranenie alebo smrť.
- Stromy nerezte nesprávnym spôsobom. Hrozí poranenie osôb, zasiahnutie vedení alebo poškodenie majetku.
- Obsluhujúca osoba by sa mala zdržiavať na vyvýšenej strane terénu, pretože strom sa po zrezaní pravdepodobne skotúľa alebo zosunie dole kopcom.

### (Obr. 25)

- Pred začiatkom pílenia si naplánujte a vyčistite únikovú cestu. Úniková cesta by mala viesť dozadu a diagonálne za predpokladaný okruh, v ktorom môže strom spadnúť.

### (Obr. 26)

- Pred presunutím výrobku medzi stromy vždy zastavte motor.
- Pevne sa zaprite nohami do zeme a zaujmite stabilný postoj s rovnomerným rozložením hmotnosti.

### (Obr. 27)

- Vždy noste vhodnú obuv a výrobok používajte iba vtedy, keď stojíte na stabilnom, pevnom a rovnom povrchu. Na kľzkých alebo nestabilných povrchoch, ako sú rebriky, môžete stratiť rovnováhu alebo kontrolu.

(Obr. 28 )

## Spätne nárazy, zošmyknutie, odskakovanie a pád

Rôzne sily môžu mať rôzny vplyv na bezpečné ovládanie výrobku.

- **Zošmyknutie** hrozí pri rýchlom posune alebo pohybe lišty po dreve.
- **Odsakovanie** nastane, keď sa vodiaca lišta zdvihne z dreva a opakovane sa znova dostáva do kontaktu s drevom.
- **Pád** nastáva v situácii, keď po vykonaní rezu výrobok spadne. V dôsledku toho sa pohybujúca sa reťaz môže dotknúť častí tela alebo iných predmetov, spôsobiť poranenie alebo poškodenie.
- **Spätný náraz** nastáva, keď sa koniec vodiacej lišty dotkne predmetov a pohne sa smerom dozadu, hore alebo náhle dopredu. K spätnému nárazu dochádza aj vtedy, keď drevo pri rezaní zovrie reťaz pily. K strate kontroly môže dôjsť, keď sa výrobok dotkne nejakého predmetu v dreve.

(Obr. 29 )

- K **rotačnému spätnému nárazu** môže dôjsť, keď sa pohybujúca reťaz dostane do kontaktu s predmetom v hornej časti vodiacej lišty. Reťaz sa môže do predmetu zaboriť a okamžite sa zastaví. Dôsledkom je veľmi rýchla spätná reakcia, pri ktorej sa vodiaca lišta posunie smerom hore a dozadu k obsluhujúcemu pracovníkovi.

(Obr. 30 )

(Obr. 31 )

- **Spätný náraz pri zovretí** hrozí, keď sa reťaz pily počas rezania náhle zastaví. Drevo sa zavrie a zovrie pohybujúcu sa reťaz pily v hornej časti vodiacej lišty. Náhle zastavenie spôsobí zmenu smeru sily vytvárajanej pílou a zapríčini, že sa výrobok pohne v opačnom smere vzhľadom na smer otáčania reťaze. Výrobok sa pohne dozadu smerom k obsluhujúcemu pracovníkovi.

(Obr. 32 )

- K **vťahnutiu** môže dôjsť, keď sa pohybujúca sa reťaz v dreve dostane do kontaktu s predmetom v reze pozdĺž dolnej časti vodiacej lišty a reťaz pily sa náhle zastaví. Pri náhlom zastavení sa výrobok potiahne smerom dopredu, preč od obsluhujúceho pracovníka, čo môže ľahko spôsobiť stratu kontroly nad výrobkom.

(Obr. 33 )

Uistite sa, že rozumiete pôsobeniu rôznych síl a viete, ako im zabrániť ešte pred používaním výrobku.

## Zabránenie spätným nárazom, zošmyknutiu, odskočeniu a pádu

- Keď je motor v chode, výrobok držte pevne. V pravej ruke držte zadnú rukoväť a ľavú ruku majte na prednej rukoväti. Rukoväti pevne zovrite v prstoch. Nepúšťajte ich.
- Počas rezania a vo chvíli pádu dreva na zem majte výrobok pod kontrolou. Nedovoľte, aby výrobok po vykonaní rezu v dôsledku vlastnej hmotnosti klesol smerom nadol.(Obr. 34 )
- Zaistíte, aby vám v oblasti, kde vykonávate rezanie, nič neprekážalo. Pri práci nedovoľte, aby sa špička vodiacej lišty dotkla kmeňa, vetiev alebo iných prekážok.
- Režte pri vysokých otáčkach motora.
- Pri práci sa príliš nenačahujte a nerežte nad úrovňou plec.(Obr. 35 )
- Dodržiavajte pokyny výrobcu na ostrenie a údržbu reťaze pily.
- Používajte iba náhradné vodiace lišty a reťaze pily určené výrobcom.
- Ak je mierka hĺbky príliš veľká, hrozí zvýšené nebezpečenstvo spätého nárazu.

## Osobné ochranné prostriedky

- Počas používania výrobku vždy používajte správne osobné ochranné prostriedky. Osobné ochranné prostriedky neznamenajú, že neexistuje nebezpečenstvo poranenia. V prípade nehody môžu osobné ochranné prostriedky znížiť závažnosť poranenia.
- Vo všeobecnosti platí, že odev má byť priliehavý, ale nesmie vám brániť vo voľnom pohybe.
- Používajte schválenú ochrannú prilbu.
- Počas obsluhy výrobku vždy používate schválenú ochranu uší. Dlhodobé pôsobenie hluku môže zapríčiniť stratu sluchu.
- Používajte ochranné okuliare alebo ochranný štít na tvár, aby ste znížili nebezpečenstvo poranenia spôsobeného vymrštenými predmetmi. Výrobok môže vysokou silou vymršťovať predmety, napríklad triesky, kúsky dreva a pod. Môže dôjsť k vážnemu poraneniu, najmä poraneniu očí.
- Používajte rukavice určené na ochranu pri rezaní reťazovou pílou.
- Používajte nohavice určené na ochranu pri rezaní reťazovou pílou.
- Používajte topánky s protiprezovou ochranou, oceľovou špičkou a protišmykovou podrážkou.
- Uistite sa, že máte v blízkosti k dispozícii lekárníčku.
- Z tlmíča výfuku, vodiacej lišty, reťaze pily alebo z iného zdroja môžu vyletúvať iskry. Vždy majte k dispozícii nástroje na hasenie ohňa a lopatu na zabránenie lesným požiarom.

## Ochranné zariadenia na výrobku

- Uistite sa, že pravidelne vykonávate údržbu výrobku.

- Predĺžite tak životnosť výrobku.
- Znížite tak riziko výskytu nehôd.

Výrobok nechajte pravidelne kontrolovať u schváleného predajcu alebo v schválenom servisnom stredisku kvôli potrebným nastaveniam alebo opravám.

- Výrobok nepoužívajte, ak je poškodené ochranné vybavenie. Ak sa výrobok poškodí, kontaktujte schválené servisné stredisko.

## Vypínač

Naštartujte motor. Uistite sa, že po prepnutí vypínača do polohy zastavenia sa motor zastaví.

## Kontrola zaistenia páčky plynu

1. Pri uvoľnení zaistenia páčky plynu (A) sa uistíte, či je páčka plynu (B) zaistená v polohe voľnobehu. (Obr. 36 )
2. Stlačte zaistenie páčky plynu (A) a uistite sa, že sa po uvoľnení vráti do východiskovej polohy.
3. Stlačte páčku plynu (B) a uistite sa, že sa po uvoľnení vráti do východiskovej polohy.
4. Naštartujte motor a aktivuje plné otáčky.
5. Uvoľníte páčku plynu a skontrolujte, či reťaz pily zastaví.
6. Ak sa reťaz pily otáča na voľnobežných otáčkach motora, skontrolujte nastavovaciu skrutku voľnobehu karburátora.

## Kryt

Kryt bráni vystreľovaniu predmetov smerom k obsluhujúcemu pracovníkovi. Kryt okrem toho zabraňuje neúmyselnému kontaktu obsluhujúceho pracovníka s reťazou pily.

- Uistite sa, že je použitie krytu prípustné v kombinácii s výrobkom.
- Výrobok nepoužívajte bez krytu.
- Skontrolujte, či kryt nie je poškodený. Ak je kryt opotrebovaný alebo sú na ňom praskliny, vymeňte ho.

## Bezpečnosť paliva

- Výrobok neštartujte, ak sú na ňom zvyšky paliva alebo motorového oleja. Odstráňte neželané palivo/ olej a nechajte výrobok vyschnúť. Odstráňte z výrobku neželané palivo.
- Ak vylejete palivo na odev, okamžite sa prezlečte.
- Dávajte pozor, aby ste si palivo nevyliali na telo, pretože môže spôsobiť poranenie. Ak si palivo vylejete na telo, umyte sa pomocou mydla a vody.
- Motor neštartujte, ak olej alebo palivo vylejete na výrobok alebo na svoje telo.
- Výrobok neštartujte, ak sa na motore vyskytuje netesnosť. Pravidelne kontrolujte výskyt netesností na motore.

- Pri manipulácii s palivom zachovajte opatnosť. Palivo je horľavá látka a výpary z paliva sú výbušné a môžu spôsobiť poranenia alebo smrť.
- Vyhňte sa vdychovaniu výparov paliva, pretože môžu spôsobiť poranenie. Zabezpečte dostatočné prúdenie vzduchu.
- V blízkosti paliva alebo motora nefajčite.
- Neukladajte do blízkosti paliva alebo motora teplé predmety.
- Nedopĺňajte palivo, keď je zapnutý motor.
- Pred dopĺňaním paliva sa uistite, že motor vychladol.
- Pred dopĺňaním paliva pomaly otvorte veko palivovej nádrže a opatrne uvoľnite tlak.
- Palivo do motora nedopĺňajte v interiéri. Nedostatočné prúdenie vzduchu môže spôsobiť poranenie alebo smrť v dôsledku udusenía alebo otravy oxidom uhľnatým.
- Starostlivo utiahnite veko palivovej nádrže, inak hrozí riziko vzniku požiaru.
- Pred spustením premiestnite výrobok minimálne 3 m od miesta, na ktorom ste doplnili palivo do nádrže.
- Neprepĺňajte palivovú nádrž.
- Pri premiestňovaní výrobku alebo nádoby na palivo sa uistite, že z nich nevyteká palivo.
- Výrobok ani nádobu na palivo neukladajte na miesta s otvoreným ohňom, iskrami alebo trvalým plameňom. Uistite sa, že sa na mieste, na ktorom výrobok uskladníte, nenachádza otvorený oheň.
- Na premiestnenie alebo uskladnenie paliva používajte len schválené nádoby.
- Pred dlhodobým uskladnením vyprázdňte palivovú nádrž. Pri likvidácii paliva dodržiavajte miestne právne predpisy.
- Pred dlhodobým uskladnením výrobok vyčistite.
- Pred odložením odmontujte z výrobku kábel zapaľovacej sviečky, aby ste sa uistili, že nedôjde k náhodnému spusteniu motora.

## Bezpečnostné pokyny pre údržbu

- Pred vykonávaním údržby výrobku s výnimkou nastavení karburátora vyberte zapaľovaciu sviečku.
- Všetky servisné práce okrem úloh uvedených v časti **ÚDRŽBA na strane 339** zverte autorizovanému obchodnému zástupcovi.
- Skontrolujte, či sa reťaz pily po uvoľnení páčky plynu zastaví.
- Udržievajte rukoväti suché, čisté a bez oleja či zmesi paliva.
- Uzávery a upevňovacie prvky udržiavajte riadne utiahnuté.
- Výmena súčiastok za neschválené diely alebo demontáž bezpečnostných zariadení môže spôsobiť poškodenie výrobku. Rovnako to môže zapríčiniť poranenie obsluhujúceho pracovníka alebo okolo stojacich osôb. Používajte výhradne odporúčané príslušenstvo a náhradné diely. Výrobok neupravujte.

- Reťaz pily udržiavajte ostrú a čistú na zaistenie bezpečnej a efektívnej prevádzky.
- Pri mazaní a výmene príslušenstva sa riadte pokynmi.
- Skontrolujte, či niektoré zo súčiastok výrobku nie sú poškodené. Pred ďalším používaním výrobku sa presvedčte, či poškodený kryt alebo súčiastka fungujú správne. Skontrolujte poškodené alebo nesprávne zarovnané diely a diely, ktoré sa voľne nepohybujú. Skontrolujte ďalšie stavy, ktoré ovplyvňujú prevádzku výrobku. Skontrolujte, či je výrobok správne nainštalovaný. Opravu alebo

- výmenu krytu či inej poškodenej súčiastky musí vykonať autorizovaný obchodný zástupca, pokiaľ to nie je uvedené inak v návode na obsluhu.
- Keď sa výrobok nepoužíva, uložte ho na suchom, vyvýšenom mieste alebo v uzamknutom priestore, kde nemajú deti prístup.
  - Počas prepravy alebo uskladnenia výrobku použite kryt vodiacej lišty alebo kufrik na presunutie výrobku.
  - Nepoužívajte použitý olej. Použitý olej vás môže ohroziť a spôsobiť poškodenie výrobku a životného prostredia.

---

## MONTÁŽ

---



**VÝSTRAHA:** Pred montážou výrobku si prečítajte kapitolu o bezpečnosti a uistite sa, že rozumiete informáciám, ktoré sa v nej uvádzajú.

### Montáž vodiacej lišty a reťaze pily

1. Predný chránič ruky posuňte dozadu k prednej rukoväti, aby ste deaktivovali brzdú reťaze.
2. Zatláčte gombík do otvorenej polohy. (Obr. 37)
3. Otočením gombíka proti smeru hodinových ručičiek uvoľníte kryt lišty. (Obr. 38)
4. Demontujte gombík (A) a kryt reťazového kolieska. Ak je nainštalovaný prepravný kryt, demontujte ho. (Obr. 39)
5. Vodiacu lištu vytiahnite nad skrutky lišty. Vodiacu lištu nastavte do najvzdialenejšej zadnej polohy. Reťaz nadvihnite ponad hnacie reťazové koliesko a vložte ju do drážky na vodiacej lište. Začnite na hornom okraji vodiacej lišty. (Obr. 40)
6. Presvedčte sa, že sú okraje rezacích článkov na hornom okraji vodiacej lišty otočené smerom dopredu.
7. Zostavte kryt reťazového kolieska a kolík na napínanie reťaze založte do otvoru vo vodiacej lište. Skontrolujte, či vodiace články reťaze správne zapadli na hnacie koliesko. Okrem toho skontrolujte, či je reťaz pily správne založená v drážke vo vodiacej lište. (Obr. 41)
8. Uťahnite reťaz pily otočením kolieska nadol (+). Napnite reťaz tak, aby neprevísala zospodu vodiacej lišty. (Obr. 42)

9. Reťaz pily je správne utiahnutá vtedy, keď neprevísá pod vodiacou lištou, no dá sa jednoducho otočiť rukou.

10. Držte špičku vodiacej lišty a otočte gombík v smere hodinových ručičiek, čím ju utiahnete. (Obr. 43)

- Po namontovaní novej reťaze pily často kontrolujte napnutie reťaze, kým nedôjde k zábehu reťaze pily.
- Pravidelne kontrolujte napnutie reťaze. Správne napnutie reťaze vám zaistí dobrý rezný výkon a dlhú životnosť.

### Resetovanie brzdy reťaze

Ak sa kryt spojky náhodne demontuje, keď je brzda reťaze zamknutá, brzdú reťaze treba odomknúť, aby sa dal kryt spojky namontovať bez spojenia s bubnom spojky.



**VAROVANIE:** Pružina brzdy reťaze je napnutá. Pri resetovaní brzdy reťaze buďte opatrní.

**Poznámka:** Pri pokuse o resetovanie brzdy nedržte brzdový pás.

1. Vyrovnajte zárezy na nástroji na lištu tak, aby sa zhodovali s otočným ťahadlom brzdy. (Obr. 44)
2. Pre resetovanie brzdy otáčajte ťahadlo v smere hodinových ručičiek, kým sa nezastaví. Po odomknutí brzdy reťaze bude predné ťahadlo v jeho zostupnej otočenej polohe. (Obr. 45) (Obr. 46)

---

## PREVÁDZKA

---



**VÝSTRAHA:** Pred používaním výrobku si prečítajte kapitolu o bezpečnosti a porozumejte informáciám, ktoré sa v nej uvádzajú.



### Používanie paliva

**VAROVANIE:** Tento výrobok má dvojtaktný motor. Používajte zmes benzínu a oleja pre dvojtaktné motory. Uistite sa, že do zmesi pridáte správne množstvo oleja. Nesprávny



pomer benzínu a oleja môže poškodiť motor.

## Zmiešavací pomer zmesi paliva

Zmiešavací pomer zmesi paliva v prípade benzínu a motorového oleja pre dvojtaktné motory je 50 : 1 (2 %)

Benzín	Olej pre dvojtaktný motor
1 am. gal.	77 ml (2,6 unce)
1 imperiálny gal.	95 ml (3,2 unce)
5 l	100 ml (3,4 unce)

## Príprava zmesi paliva

1. Určite správne množstvo benzínu a motorového oleja (zmiešavací pomer 50 : 1). Pripravte si množstvo zmesi paliva, ktoré vám vydrží max. 30 dní. Pozrite si kapitolu *Používanie paliva na strane 336*.
2. Pridajte polovicu množstva benzínu do čistej nádoby na palivo s ventilom proti pretečeniu paliva.



**VAROVANIE:** Nepoužívajte benzín s vyššou než 10 % koncentráciou etanolu (E10). Mohlo by to viesť k poškodeniu výrobku.



**VAROVANIE:** Nepoužívajte benzín s oktánovým číslom menším než 90 RON (87 AKI). Mohlo by to viesť k poškodeniu výrobku.

**Poznámka:** Ak výrobok často používate na dlhodobé práce pri vysokých otáčkach, odporúčame používať vysokooktánový benzín.

3. Do nádoby na palivo pridajte celé množstvo oleja na dvojtaktné motory.



**VAROVANIE:** Vždy používajte motorový olej na vzduchom chladené dvojtaktné motory vysokej kvality. Iné oleje môžu spôsobiť poškodenie výrobku.

4. Pretrepaním nádoby zmes paliva premiešajte.
5. Do nádoby na palivo pridajte zvyšný objem benzínu.
6. Pretrepaním nádoby zmes paliva premiešajte.
7. Zmesou paliva naplňte palivovú nádrž výrobku. Pozrite si kapitolu *Používanie paliva na strane 336*.

## Dopĺňanie paliva do palivovej nádrže

1. Skontrolujte, či je zmes paliva správna a či je nádoba na palivo vybavená ventilom proti pretečeniu paliva.
2. Ak sa palivo nachádza na nádobe, odstráňte neželané palivo a nechajte nádobu vyschnúť.

3. Uistite sa, že oblasť okolo veka palivovej nádrže je čistá.
4. Zložte uzáver palivovej nádrže.
5. Pred doplnením paliva do palivovej nádrže nádobu na palivo pretrepte.
6. Uzáver palivovej nádrže vráťte na miesto.

## Mazanie reťaze pily

Výrobok je vybavený automatickým systémom mazania. Nádrž na olej na mazanie reťaze pily a palivová nádrž sú navrhnuté tak, aby sa palivo minulo skôr než olej na mazanie reťaze pily. Táto bezpečnostná funkcia vyžaduje používanie správneho oleja na mazanie reťaze a dodržiavanie pokynov.

1. Používajte rastlinný olej na mazanie reťaze alebo štandardný olej na mazanie reťaze.
2. Skontrolujte, či je priestor v okolí uzáveru nádrže na olej na mazanie reťaze pily čistý.
3. Zložte uzáver nádrže na olej na mazanie reťaze pily.
4. Nádrž na olej na mazanie reťaze naplňte odporúčaným olejom na mazanie reťaze pily.
5. Uzáver nádrže na olej na mazanie reťaze pily zložte na miesto.

## Zapnutie a vypnutie

### Pred naštartovaním motora

- Výrobok skontrolujte, či nemá poškodené, uvoľnené alebo opotrebované diely a či niektoré diely nechýbajú.
- Skontrolujte matice, skrutky a skrutky s maticou.
- Skontrolujte vzduchový filter.
- Skontrolujte, či zaistenie páčky plynu a páčka plynu fungujú správne.
- Skontrolujte, či vypínač funguje správne.
- Skontrolujte, či z výrobku neuniká palivo.
- Skontrolujte ostrosť a napnutie reťaze pily.

### Štartovanie studeného motora

1. Predný chránič ruky posuňte dopredu, aby ste aktivovali brzdu reťaze. (Obr. 47)
2. 6-krát stlačte nastrekovací balónik. (Obr. 48)
3. Presuňte ovládanie sytiča do úplne otvorenej polohy sytiča. (Obr. 49)
4. Ľavou rukou držte telo výrobku na zemi. Pravú nohu položte na zadnú rukoväť, aby ste stabilizovali polohu reťazovej pily. Pomaly potiahnite rukoväť štartovacieho lanka, kým nepocítite istý odpor. Potom rukoväť štartovacieho lanka silno 5-krát potiahnite. (Obr. 50)

**Poznámka:** Počas štartovania motora nestláčajte páčku plynu.

5. Presuňte ovládanie sytiča do polohy mimo sytiča.

6. Ťahajte rukoväť štartovacieho lanka, kým motor nenašartuje. Po našartovaní počkajte 60 sekúnd a až potom stlačte páčku plynu.



**VAROVANIE:** Štartovacie lanko neťahajte, kým sa nezastaví. Keď je štartovacie lanko úplne vyťahnuté, nepúšťajte ho. Štartovacie lanko pomaly uvoľnite. Nedodržanie týchto pokynov môže zapríčiniť poškodenie motora.

7. Predný chránič ruky potiahnite dozadu k prednej rukoväti, aby ste deaktivovali brzdú reťaze.
8. Držte zadnú rukoväť pravou rukou a prednú rukoväť ľavou rukou.
9. Používajte výrobok.

### Štartovanie teplého motora

1. Predný chránič ruky posuňte dopredu, aby ste aktivovali brzdú reťaze.
2. 6-krát stlačte nastrekovací balónik.
3. Presuňte ovládanie sytiča do úplne otvorenej polohy sytiča.
4. Presuňte ovládanie sytiča do polohy mimo sytiča.
5. Ľavou rukou držte telo výrobku na zemi. Pravú nohu položte na zadnú rukoväť, aby ste stabilizovali polohu reťazovej pily. Pomaly potiahnite rukoväť štartovacieho lanka, kým nepocítite istý odpor. Potom silne potiahnite držadlo štartovacieho lanka, kým motor nenašartuje. (Obr. 51 )

**Poznámka:** Počas štartovania motora nestláčajte páčku plynu.



**VAROVANIE:** Štartovacie lanko neťahajte, kým sa nezastaví. Keď je štartovacie lanko úplne vyťahnuté, nepúšťajte ho. Štartovacie lanko pomaly uvoľnite. Nedodržanie týchto pokynov môže zapríčiniť poškodenie motora.

6. Predný chránič ruky potiahnite dozadu k prednej rukoväti, aby ste deaktivovali brzdú reťaze.
7. Držte zadnú rukoväť pravou rukou a prednú rukoväť ľavou rukou.
8. Používajte výrobok.

### Našartovanie motora v prípade, že je palivo príliš horúce

Ak sa výrobok nenašartuje, palivo môže byť príliš horúce.

**Poznámka:** Vždy používajte nové palivo a skráťte prevádzkový čas v teplom počasí.

1. Výrobok chráňte pred priamym slnečným svetlom a odkladajte ho na chladné miesto.
2. Výrobok nechajte vychladnúť minimálne 20 minút.

3. Opakovane stláčajte nastrekovací balónik 10 – 15 sekúnd.
4. Dodržiavajte pokyny pri štarte studeného motora. Pozrite si kapitolu *Štartovanie studeného motora na strane 337*.

### Zastavenie motora

- Stlačením vypínača zastavte motor.

**Poznámka:** Vypínač sa automaticky vráti do svojej východiskovej polohy.

### Používanie opierky rezania

Opierka rezania zabraňuje vzniku spätných nárazov a pri rezaní pridrža drevo. Opierka rezania tvorí otočný bod medzi telesom motora a vodiacou lištou.

1. Spodnú časť opierky rezania nastavte na správnu šírku zlomovej lišty.
2. Zatačte ju ľavou rukou oproti prednej rukoväti a súčasne pravou rukou nadvihnite zadnú rukoväť.
3. Píľte, kým nedosiahnete správnu šírku zlomovej lišty.

**Poznámka:** Zlomová lišta musí mať rovnomernú hrúbku.

4. Odpíľte viac než polovicu priemeru a potom do vypíleného zárezu vložte rezný klin.

### Pílenie stromu

1. Zo stromu odstráňte nečistoty, skaly, uvoľnenú kôru, klince, spinky a drôt.
2. Urobte zárez do 1/3 priemeru stromu kolmo k smeru predpokladaného pádu.(Obr. 52 )
3. Urobte spodný vodorovný zárez. Predtete tým zovretiu reťaze pily alebo vodiacej lišty pri rezaní druhého zárezu.
4. Z druhej strany urobte zárez (X) minimálne 50 mm (2 palce) nad vodorovným zárezom. Rez zo zadnej strany veďte paralelne s vodorovným zárezom tak, aby zostala dostatočne veľká nedorezaná časť, ktorá bude pôsobiť ako kľb. Zlomovú lištu neprerezávajte. Nedorezaný kľb bráni tomu, aby sa strom skrútil a spadol nesprávnym smerom.(Obr. 53 )(Obr. 54 )
5. Keď sa zadný rez blíži k zlomovej lište, strom začína padať. Zaisťte, aby strom spadol správnym smerom, neodrazil sa dozadu a nezovrel reťaz pily. Zadný rez prerušte ešte pred dokončením, aby ste tomu zabránili. Pomocou drevených, plastových alebo hliníkových klinov roztvorte rez a nechajte strom spadnúť pozdĺž požadovanej línie pádu.(Obr. 55 )
6. Keď strom začne padať, vyberte výrobok z rezu, zastavte motor, výrobok položte na zem a použite plánovanú únikovú cestu. Dávajte pozor na padajúce konáre a na to, kam stúpate.(Obr. 56 )

## Odvetvovanie stromu

1. Pomocou silnejších konárov zaistíte, aby sa kmeň nedotýkal zeme.
2. Malé konáre odstráňte jedným rezom.(Obr. 57 )
3. Napnuté vetvy režete odspodu smerom nahor, aby ste predišli zovretiu reťaze píly alebo vodiacej lišty.

## Skracovanie kmeňa



**VAROVANIE:** Zabráňte kontaktu reťaze píly so zemou.

- Ak má kmeň oporu po celej dĺžke, odrežte vrchnú časť kmeňa (vrchný rez).(Obr. 58 )

- Ak má kmeň oporu na jednom konci, prerežte 1/3 priemeru zo spodnej časti kmeňa (spodný rez).(Obr. 59 )
- Ak má kmeň oporu na oboch koncoch, prerežte 1/3 priemeru z vrchnej strany. Rez dokončíte prerezaním spodných 2/3 kmeňa tak, aby ste sa napojili na prvý rez.(Obr. 60 )
- Ak skracujete kmeň na svahu, vždy sa postavte na vyššie položenú stranu kmeňa. Pri prerezávaní kmeňa majte výrobok úplne pod kontrolou. Tlak vyvíjaný pri pilení následne uvoľnite v blízkosti miesta ukončenia rezu, pričom pevne držte prednú a zadnú rukoväť.(Obr. 61 )

## ÚDRŽBA



**VÝSTRAHA:** Pred čistením, opravou a údržbou výrobku si prečítajte kapitolu o bezpečnosti a uistite sa, že rozumiete informáciám, ktoré sú v nej uvedené.

## Plán údržby

Uistite sa, že dodržiavate plán údržby. Intervaly sú vypočítané na základe každodenného používania výrobku. Ak výrobok nepoužívate každý deň, intervaly sa líšia. Vykonávajte len údržbu uvedenú v tomto návode. V súvislosti s inými prácami súvisiacimi s údržbou, ktoré nie sú uvedené v tomto návode, kontaktujte schválené servisné stredisko.

## Denná údržba

- Vyčistíte vonkajšie povrchy.
- Presvedčte sa, či zaistenie a plynová páčka fungujú správne.
- Očistíte brzdú reťaze a skontrolujte, či funguje správne.

(Obr. 62 )

- Skontrolujte, či nie je poškodený zachytávač reťaze. V prípade poškodenia zachytávač reťaze vymeňte.

(Obr. 63 )

- Vodiacu lištu každý deň otáčajte, aby sa opotrebovala rovnomerne.
- Skontrolujte, či mazací otvor vo vodiacej lište nie je upchatý.

(Obr. 64 )

- Vyčistíte drážku vodiacej lišty.

(Obr. 65 )

- Zaistíte, aby do vodiacej lišty a na reťaz píly prúdilo dostatočné množstvo oleja.
- Skontrolujte reťaz píly:
  - či nemá popraskané nity a články,

- či nemá nadmerne opotrebované nity a články,
- či je správne napnutá.

V prípade potreby reťaz píly vymeňte.

- Naostrite reťaz píly. Pozrite si kapitolu *Ostrenie reťaze píly na strane 340.*
- Skontrolujte hnacie reťazové koliesko, či nie je nadmerne opotrebené. V prípade potreby ho vymeňte.

(Obr. 66 )

- Vyčistíte nasávanie vzduchu štartéra.
- Skontrolujte, či sú matice a skrutky dotiahnuté.
- Skontrolujte, či vypínač funguje správne.
- Skontrolujte či nedochádza k úniku paliva z motora, nádrže a rozvodov paliva.
- Presvedčte sa, či sa reťaz píly neotáča, keď motor beží na voľnobeh.

## Týždenná údržba

- Skontrolujte, či chladiaci systém funguje správne.
- Skontrolujte, či štartér, šnúra štartéra a vratná pružina fungujú správne.
- Skontrolujte, či nie sú poškodené antivibračné prvky.

(Obr. 67 )

- Pilníkom odstráňte všetky ostriny z hrán vodiacej lišty.
- Vyčistíte alebo vymeňte kryt na ochranu pred iskrami v tlmíči výfuku.

(Obr. 68 )

- Vyčistíte vonkajšie povrchy karburátora a príslušné miesta.
- Vyčistíte vzduchový filter. Ak je vzduchový filter poškodený alebo príliš znečistený a nedá sa úplne vyčistiť, namontujte nový. Viac informácií nájdete v časti *Čistenie vzduchového filtra na strane 340.*

## Mesačná údržba

- Skontrolujte, či nie je opotrebovaný brzdový pás na brzde reťaze. Ak je hrúbka brzdového pásu v najviac opotrebovanom bode menšia než 0,6 mm (0,024 palca), pás vymeňte.

(Obr. 69 )

- Skontrolujte, či nie je opotrebovaný náboj spojky, bubon spojky a pružina spojky.
- Vyčistite zapaľovaciu sviečku. Skontrolujte správnu šírku medzery medzi elektródami.

(Obr. 70 )

- Vyčistite vonkajšie povrchy karburátora a priľahlé miesta.
- Skontrolujte palivový filter a palivovú hadicu. V prípade potreby vymeňte.
- Vyprázdňte palivovú nádrž.
- Vyprázdňte nádrž na olej.
- Skontrolujte všetky káble a konektory.

## Ročná údržba

- Skontrolujte zapaľovaciu sviečku.
- Vyčistite vonkajšie povrchy karburátora a priľahlé miesta.
- Vyčistite chladiaci systém.
- Skontrolujte kryt na ochranu pred iskrami.
- Skontrolujte palivový filter.
- Skontrolujte, či nie je poškodená palivová hadica.
- Skontrolujte všetky káble a konektory.

## Občasná údržba

- V autorizovanom servisnom stredisku si nechajte opraviť alebo vymeniť tlmič po 50 hodinách prevádzky.
- Údržbu zapaľovacej sviečky vykonávajte v prípade, že:
  - je nízka úroveň výkonu motora,
  - motor sa ťažko štartuje,
  - motor nefunguje správne pri voľnobežných otáčkach.
- Pri každom doplnení paliva skontrolujte mazanie reťaze pily. Pozrite si kapitolu *Kontrola mazania reťaze pily na strane 341*.

## Nastavenie voľnobežných otáčok

Pred nastavením voľnobežných otáčok sa uistite, že je čistý vzduchový filter a pripevnený kryt vzduchového filtra.

1. Nastavovaciu skrutku voľnobehu označenú značkou „T“ otáčajte v smere hodinových ručičiek, kým sa reťaz pily nezačne otáčať.
2. Nastavovaciu skrutku voľnobehu označenú značkou „T“ otáčajte proti smeru hodinových ručičiek, kým sa reťaz pily nezastaví.

3. Voľnobežné otáčky musia byť nižšie ako otáčky, pri ktorých sa začne reťaz pily otáčať. Voľnobežné otáčky sú nastavené správne, ak motor beží plynulo vo všetkých polohách.

## Čistenie krytu na ochranu pred iskrami

1. Kryt na ochranu pred iskrami vyčistite pomocou drôtovej kefy.

## Údržba zapaľovacej sviečky



**VAROVANIE:** Používajte odporúčanú zapaľovaciu sviečku. Uistite sa, že pri výmene použijete rovnaký diel ako diel dodaný výrobcom. Nesprávny typ zapaľovacej sviečky môže viesť k poškodeniu výrobku.

1. Ak máte problémy s naštartovaním alebo prevádzkou výrobku, skontrolujte, či sa na zapaľovacej sviečke nevyskytuje neželaný materiál. Zníženie rizika prítomnosti neželaného materiálu na elektródach zapaľovacej sviečky:
  - a) uistite sa, že sú správne nastavené voľnobežné otáčky,
  - b) uistite sa, že používate správnu zmes paliva,
  - c) uistite sa, že je čistý vzduchový filter.
2. Ak je zapaľovacia sviečka znečistená, vyčistite ju. Skontrolujte správnu šírku medzery medzi elektródami.(Obr. 71 )
3. V prípade potreby vymeňte zapaľovaciu sviečku.

## Čistenie vzduchového filtra

1. Odstráňte kryt vzduchového filtra a vzduchový filter.
2. Očistite vzduchový filter teplou mydlovou vodou. Pred opätovným vložením sa uistite, že je vzduchový filter suchý.
3. Ak je vzduchový filter príliš znečistený a nie je možné ho vyčistiť, vymeňte ho. Poškodený vzduchový filter vždy vymeňte.

## Ostrenie reťaze pily

### Rezací zub

Rezacia časť reťaze pily sa volá rezací článok a skladá sa z rezacieho zuba (A) a mierky hĺbky (B). Hĺbka rezu je daná výškovým rozdielom medzi nimi – nastavenie mierky hĺbky (C).

(Obr. 72 )

Pri ostrení rezacieho zuba pamätajte na štyri dôležité faktory:

- Uhol brúsenia.

(Obr. 73 )

- Uhol rezania.

(Obr. 74 )

- Poloha pilníka.  
(Obr. 75 )
- Priemer okrúhleho pilníka.  
(Obr. 76 )

### Ostrenie rezacích zubov

Na ostrenie rezacích zubov používajte okrúhly pilník a brúsnu mierku. V časti *Brúsenie reťaze píly a kombinácie reťaze píly na strane 344* nájdete informácie o odporúčaných rozmeroch pilníka a mierky vzhľadom na reťaz píly nasadenú na vašom výrobku.

1. Skontrolujte, či je reťaz píly správne napnutá. Nenapnutá reťaz sa bude posúvať nabok, a bude ju ťažšie správne naostriť.
2. Najskôr nabrúste všetky zuby na jednej strane. Potom brúste rezacie zuby smerom od vnútornej plochy a pri spätnom pohybe zmiernite tlak.
3. Zariadenie otočte a nabrúste zuby na druhej strane.
4. Všetky zuby zbrúste na rovnakú dĺžku. Keď sa dĺžka rezacích zubov zmenší na 4 mm (5/32"), reťaz píly je opotrebovaná a treba ju vymeniť. (Obr. 77 )

### Úprava nastavenia mierky hĺbky

Pred upravením nastavenia mierky hĺbky naostrite rezacie zuby. Pozrite si kapitolu *Ostrenie rezacích zubov na strane 341*. Ostrením rezacích zubov (A) sa zmenšuje nastavenie mierky hĺbky (C). Aby ste dosiahli optimálny výkon rezania, musíte zbrúsiť aj obmedzovacie zuby na odporúčanú výšku. Pozrite si časť *Brúsenie reťaze píly a kombinácie reťaze píly na strane 344*, v ktorej nájdete správne nastavenie mierky hĺbky vašej konkrétnej reťaze.  
(Obr. 78 )  
(Obr. 79 )

**Poznámka:** Toto odporúčanie predpokladá, že dĺžka rezacieho zuba nie je nadmerne skrátaná.

Na nastavenie mierky hĺbky použite plochý pilník a mierku hĺbky obmedzovacích zubov.

1. Mierku hĺbky obmedzovacích zubov priložte nad reťaz píly. Podrobné informácie o používaní mierky hĺbky obmedzovacích zubov nájdete na balení.
2. Na zbrúsenie vyčnievajúcej časti obmedzovacieho zuba používajte plochý pilník. Hĺbka rezu je správna,

keď pri ťahaní pilníka po meradle necítite žiaden odpor.

### Napnutie reťaze píly

**Poznámka:** Počas zábehu často kontrolujte napnutie novej reťaze píly.

1. Uvoľnite matice vodiacej lišty, ktorými je upevnený kryt reťazového kolieska. Použite kombinovaný kľúč. (Obr. 80 )
2. Rukou čo najviac utiahnite matice na vodiacej lište.
3. Nadvihnite vrchnú časť vodiacej lišty a reťaz píly napnite utáňovaním skrutky na napínanie reťaze. Použite kombinovaný kľúč. Napnite reťaz píly tak, aby nevisela zosponu vodiacej lišty. (Obr. 81 )
4. Kombinovaným kľúčom utáňujte matice na vodiacej lište a súčasne dvíhajte koniec vodiacej lišty. (Obr. 82 )
5. Presvedčte sa, či sa reťaz píly dá rukou voľne potiahnuť a či neprevísava. (Obr. 83 )

### Mazanie rezného zariadenia

#### Kontrola mazania reťaze píly

Pri každom doplnení paliva skontrolujte mazanie reťazovej píly.

1. Výrobok naštartujte a nechajte ho bežať na 3/4 rýchlosti. Špičkou vodiacej lišty namierte na svetlý povrch vo vzdialenosti takmer 20 cm (8 palcov).
2. Po 1 minúte chodu sa na svetlom povrchu objaví olejová čiara.
3. Ak po 1 minúte čiaru nevidno, vyčistite olejový kanálik vo vodiacej lište. Vyčistite drážku na okraji vodiacej lišty. Skontrolujte či sa vodiace koliesko voľne otáča a mazací otvor nič neblokuje. Reťazové koliesko vyčistite a namažte.
4. Výrobok naštartujte a nechajte ho bežať na 3/4 rýchlosti. Špičkou lišty namierte na svetlý povrch vo vzdialenosti takmer 20 cm (8 palcov).
5. Po 1 minúte chodu sa na svetlom povrchu objaví olejová čiara.
6. Ak ani po 1 minúte olejovú čiaru nevidno, obráťte sa na autorizovaného obchodného zástupcu.

## PREPRAVA

- Pred prepravou vyprázdňte palivovú nádrž a nádrž na olej na mazanie reťaze. Použite kvapaliny zlikvidujte správnym spôsobom.
- Na rezací nadstavec na obdobie prepravy nasadíte kryt vodiacej lišty. Ten zaistí, aby sa nikto náhodou nedotkol ostrej reťaze píly. O reťaz píly, ktorá sa

- nepoužíva, sa môžete poraniť vy alebo iné osoby, keď sa dotknú ostrej reťaze píly.
- Pred prepravou zložte kryt zo zapalovacej sviečky a aktivujte brzdú reťaze.
- Zaistite, aby sa výrobok počas prepravy nehybal.

## SKLADOVANIE

- Keď sa výrobok nepoužíva, vždy ho bezpečne odložte. Kvapaliny a výpary unikajúce z výrobku sa môžu vznietiť v dôsledku iskrenia, otvoreného plameňa z elektrického vybavenia, elektrických kosačiek, relé/spínačov, bojlerov a pod.
- Palivo vždy odkladajte v schválenej nádobe.
- Pri uskladnení výrobku na dlhší čas vyprázdnite palivovú nádrž a nádrž na olej na mazanie reťaze. Použite kvapaliny zlikvidujte správnym spôsobom.
- Počas uskladnenia zložte na vodiacu lištu príslušný kryt. Ten zaistí, aby sa nikto náhodou nedotkol ostrej reťaze pily. O reťaz pily, ktorá sa nepoužíva, sa môžete vážne poraniť vy alebo iné osoby pri kontakte s ostrou reťazou pily.
- Pred uskladnením zložte kryt zo zapaľovacej sviečky a aktivujte brzdú reťaze.

## TECHNICKÉ ÚDAJE

	jednotka	120 Mark II (P02138HV)
<b>Technické údaje motora</b>		
Zdvihový objem valca	cm <sup>3</sup>	38
Zapaľovacia sviečka		Champion RCJ7Y
Medzera medzi elektródami	mm (palce)	0,5 (0,02)
Objem palivovej nádrže	cm <sup>3</sup>	300
Voľnobežné otáčky	min. <sup>-1</sup>	2 800 – 3 200
Výkon pri 9000 min <sup>-1</sup>	kW	1,4
Čas emisnej trvanlivosti	h	50
<b>Údaje o hluku a vibráciách</b>		
Ekvivalentné hladiny vibrácií (ahv, eq), predná rukoväť <sup>111</sup>	m/s <sup>2</sup>	4,5
Ekvivalentné hladiny vibrácií (ahv, eq), zadná rukoväť <sup>112</sup>	m/s <sup>2</sup>	6,0
Úroveň hlučnosti, garantovaná (L <sub>WA</sub> ) <sup>113</sup>	dB(A)	116
Úroveň hlučnosti, nameraná <sup>114</sup>	dB(A)	110
Úroveň akustického tlaku pri uchu používateľa <sup>115</sup>	dB(A)	95
<b>Rozmery výrobku</b>		
Hmotnosť (bez rezného zariadenia)	kg	4,9
Objem nádrže na olej	cm <sup>3</sup>	200

<sup>111</sup> Podľa normy ISO 22867 sa ekvivalentná hladina vibrácií vypočíta ako časovo vážená celková energia pre jednotlivé hladiny vibrácií za rôznych pracovných podmienok. Uvádzané údaje pre ekvivalentnú hladinu vibrácií majú typický štatistický rozptyl (štandardnú odchýlku) 1 m/s<sup>2</sup>.

<sup>112</sup> Podľa normy ISO 22867 sa ekvivalentná hladina vibrácií vypočíta ako časovo vážená celková energia pre jednotlivé hladiny vibrácií za rôznych pracovných podmienok. Uvádzané údaje pre ekvivalentnú hladinu vibrácií majú typický štatistický rozptyl (štandardnú odchýlku) 1 m/s<sup>2</sup>.

<sup>113</sup> Emisie hluku v prostredí merané ako hlučnosť (L<sub>WA</sub>).

<sup>114</sup> Emisie hluku v prostredí merané ako hlučnosť (L<sub>WA</sub>).

<sup>115</sup> Ekvivalentná hladina akustického tlaku sa počíta ako časovo vážená celková energia pre jednotlivé hladiny akustického tlaku pri rôznych pracovných podmienkach. Typický štatistický rozptyl hladiny akustického tlaku je štandardná odchýlka 1 dB (A).

	jednotka	120 Mark II (P02138HV)
<b>Systém paliva a mazania</b>		
Kapacita olejového čerpadla pri 9000 min <sup>-1</sup>	ml/min	7
Objem nádrže na olej	cm <sup>3</sup>	200
Typ olejového čerpadla		Automatické
<b>Reťaz píly a vodiaca lišta</b>		
Štandardná dĺžka vodiacej lišty	cm (palce)	35 – 40 (14 – 16)
Odporúčané dĺžky lišty	cm (palce)	35 – 45 (14 – 18)
Použiteľná rezná dĺžka	cm (palce)	34 – 39 (13,5 – 15,5)
Maximálna rýchlosť reťaze píly	m/s	22,3
Rozstup reťaze píly	mm (palce)	8,3 (0,325) 9,52 (3/8)
Hrúbka vodiacich článkov (mierka)	mm (palce)	1,3 (0,05)
Typ hnacieho kolieska		Záberové
Počet zubov hnacieho kolieska		6 (hnacieho kolieska 3/8) 7 (hnacieho kolieska 0,325)

## PRÍSLUŠENSTVO

### Kombinácie vodiacej lišty a reťaze píly

Nižšie uvedené rezacie príslušenstvo je schválené pre tento výrobok.

Vodiaca lišta				Reťaz píly	
Dĺžka, cm (palce)	Rozstup, mm (palce)	Mierka, mm (palce)	Max. polomer špičky	Typ	Počet vodiacich článkov
33 (13)	8,25 (0,325)	1,3 (0,050)	10T	Husqvarna H30	56
38 (15)	8,25 (0,325)				64
35 (14)	9,52 (3/8)		7T	Husqvarna H37	52
40 (16)	9,52 (3/8)				56
45 (18)	9,52 (3/8)				62

## Brúsenie reťaze píly a kombinácie reťaze píly

Reťaz píly					
Typ reťaze	Veľkosť okrúhleho pilníka	Uhol bočnej platničky	Uhol vrchnej platničky	Uhol vedenia pilníka	Nastavenie miery hĺbky
H30	3/16 palca / 4,8 mm	60°	30°	10°	0,025 palca / 0,65 mm
H37	5/32 palca / 4,0 mm	60°	30°	0°	0,025 palca / 0,65 mm

## OBSAH VYHLÁSENIA O ZHODE ES

V mene spoločnosti Husqvarna AB, SE 561 82 Huskvarna, ŠVÉDSKO, vyhlasujeme s plnou zodpovednosťou, že reprezentovaný výrobok:

Popis	Benzínová reťazová píla
Značka	Husqvarna
Platforma/Typ/Model	Platforma P02138HV reprezentuje model 120 Mark II
Séria	Výrobné číslo z roku 2018 a nasledujúcich rokov

V zmysle prílohy IX Vyhlásenia o zhode je tento certifikát typovej skúšky platný pre všetky miesta výroby a krajiny pôvodu, tak ako sú vyznačené na výrobku.

Táto reťazová píla sa zhoduje so vzorkou, ktorá prešla typovou skúškou ES.

plne spĺňa nasledujúce smernice a nariadenia EÚ:

Smernice/Nariadenia	Popis
2006/42/EC	„o strojových zariadeniach“
2014/30/EÚ	„týkajúca sa elektromagnetickej kompatibility“
2000/14/ES	„týkajúca sa hluku vo voľnom priestranstve“

Spĺňa nasledovné použité harmonizované normy a/alebo technické špecifikácie: EN ISO 12100, EN ISO 11681-1, CISPR 12, ISO 14982

V súlade s ustanovením prílohy V smernice 2000/14/ES sú deklarované úrovne hluku uvedené v časti o technických údajoch tohto návodu na obsluhu a v podpísanom Vyhlásení o zhode ES.

TÜV Rheinland LGA Products GmbH, notifikovaný orgán pre strojárstvo (notifikovaný podľa 0197), Tillystraße 2 – 90431 Nürnberg, Nemecko, vykonal typovú skúšku podľa predpisov ES v súlade s článkom 12, bodom 3b smernice 2006/42/ES.



---

# VSEBINA

---

UVOD.....	345	PREVOZ.....	355
VARNOST.....	346	SKLADIŠČENJE.....	355
SESTAVLJANJE.....	350	TEHNIČNI PODATKI.....	355
UPORABA.....	350	DODATNA OPREMA.....	357
VZDRŽEVANJE.....	353	VSEBINA IZJAVE ES O SKLADNOSTI.....	357

---

## UVOD

---

### Navodila za uporabo

Originalni jezik teh navodil za uporabo je angleščina. Navodila za uporabo v drugih jezikih so prevodi iz angleščine.

### Pregled

(Sl. 1 )

1. Ploščica s proizvodno in serijsko številko
2. Gumb za zaklep ročice plina
3. Sprednji ročaj
4. Pokrov valja
5. Zavora verige in sprednji ščitnik za roko
6. Dušilnik
7. Zobata opora
8. Zobnik konice meča
9. Ščitnik za desno roko
10. Ročica plina
11. Pokrov zobnika
12. Lovilnik verige
13. Meč
14. Veriga motorne žage
15. Ročica zaganjalnika
16. Posoda olja za verigo
17. Zaganjalnik
18. Posoda za gorivo
19. Ročica čoka
20. Zadnji ročaj
21. Izklopno stikalo
22. Nastavitveni vijak za prosti tek
23. Membrana črpalke za gorivo
24. Nalepka z informacijami in opozorili
25. Vijak za napenjanje verige
26. Zaščita meča
27. Kombiniran ključ
28. Olje za dvotaktno motorje
29. Uporabniški priročnik - dodatek

### Znaki na izdelku

(Sl. 2 )      Pozor

- (Sl. 3 )      Preberite ta navodila  
Uporabljajte odobreno zaščitno čelado ter zaščito za sluh in oči
- (Sl. 4 )
- (Sl. 5 )      Uporabljajte odobrene zaščitne rokavice  
Izdelek je skladen z veljavnimi direktivami ES
- (Sl. 6 )
- (Sl. 7 )      Nivo zvočne moči  
Zavora verige, ni aktivirana (levo). Zavora verige, aktivirana (desno)
- (Sl. 8 )
- (Sl. 9 )      Ročica čoka
- (Sl. 10 )      Membrana črpalke za gorivo
- (Sl. 11 )      Odprtina za dolivanje goriva
- (Sl. 12 )      Dolivanje olja za verigo  
Izdelek je skladen z veljavnimi direktivami EAC
- (Sl. 13 )
- (Sl. 14 )      Izdelek je skladen z veljavnimi direktivami Ukrajine
- (Sl. 15 )      Raven hrupa
- (Sl. 16 )      Izdelek držite trdno z obema rokama
- (Sl. 17 )      Izdelka ne uporabljajte samo z eno roko
- (Sl. 18 )      Izogibajte se stiku s konico meča
- (Sl. 19 )      Pazite na možnost povratnega sunka  
Izdelek je v skladu z veljavnimi direktivami Avstralije in Nove Zelandije o elektromagnetni združljivosti.
- (Sl. 20 )

**Opomba:** Ostali simboli in oznake na izdelku se nanašajo na zahteve za certifikacijo, ki veljajo za druga komercialna območja.

## Odgovornost proizvajalca

Kot je navedeno v zakonodaji, ki ureja odgovornost proizvajalca, ne prevzemamo nikakršne odgovornosti za poškodbe, ki bi jih naši izdelki povzročili v naslednjih primerih:

- Izdelek ni pravilno popravljen.
- Izdelek je popravljen z deli, ki jih ni izdelal ali odobril proizvajalec.
- Na izdelku je nameščena dodatna oprema, ki je ni izdelal ali odobril proizvajalec.
- Izdelek ni bil popravljen v pooblaščenem servisnem centru ali pri pooblaščenem organu.

# VARNOST

## Varnostne definicije

Spodnje definicije označujejo stopnjo resnosti posameznih opozorilnih besed.



**OPOZORILO:** Poškodbe oseb.



**POZOR:** Poškodbe izdelka.

**Opomba:** Te informacije olajšajo uporabo izdelka.

## Splošna varnostna navodila

- Izdelek uporabljajte pravilno. Če izdelka ne uporabljate pravilno, lahko pride do poškodb ali smrti. Izdelek uporabljajte samo za opravila, ki so navedena v tem priročniku. Izdelka ne uporabljajte za druga opravila.
- Preberite, razumite in upoštevajte navodila v tem priročniku. Upoštevajte varnostne simbole in navodila. Če uporabnik ne upošteva navodil in simbolov, lahko pride do poškodb ali smrti.
- Priročnika ne zavrzite. Navodila uporabljajte za montažo, uporabo in vzdrževanje izdelka. Navodila uporabljajte za pravilno namestitev priključkov in dodatne opreme. Uporabljajte samo odobrene priključke in dodatno opremo.
- Ne uporabljajte poškodovanega izdelka. Sledite urniku vzdrževanja. Izvajajte samo postopke vzdrževanja, za katere ta priročnik vsebuje navodila. Vse druge postopke vzdrževanja mora izvesti pooblaščen servisni center.
- Ta priročnik ne more vsebovati vseh okoliščin, do katerih lahko pride pri uporabi izdelka. Bodite previdni in ravnajte razumno. Če niste prepričani glede določenih okoliščin, izdelka ne uporabljajte oziroma na izdelku ne izvajajte postopkov vzdrževanja. Za informacije se obrnite na strokovnjaka za izdelek, prodajalca, pooblaščen servisno delavnico ali servisni center.
- Pred sestavljanjem, skladiščenjem in vzdrževanjem izdelka odklopite kabel žigalne svečke.

- Izdelka ne uporabljajte, če so se spremenile njegove originalne specifikacije. Ne spreminjajte delov izdelka brez vnaprejšnje odobritve proizvajalca izdelka. Uporabljajte samo dele, ki jih je odobril proizvajalec. Zaradi neustreznega vzdrževanja lahko pride do poškodb ali smrti.
- Ne vdihavajte plinov iz motorja. Dolgotrajno vdihavanje izpušnih plinov motorja, hlapov verižnega olja in žagovine lahko ogrozi vaše zdravje.
- Izdelka nikoli ne zaganjajte v zaprtih prostorih ali v bližini vnetljivih materialov. Izpušni plini so vroči in lahko vsebujejo iskre, ki lahko povzročijo požar. Če ni zadostnega pretoka zraka, lahko pride do poškodb ali celo smrti zaradi zadušitve ali zastrupitve z ogljikovim monoksidom.
- Izdelek med delovanjem ustvarja elektromagnetno polje. Elektromagnetno polje lahko poškoduje medicinske vsadke. Pred uporabo izdelka se posvetujte z zdravnikom in proizvajalcem medicinskih vsadkov.
- Izdelka ne smejo uporabljati otroci.
- Izdelka ne smejo uporabljati osebe, ki ne poznajo navodil za uporabo.
- Če izdelek uporabljajo osebe z zmanjšanimi fizičnimi ali intelektualnimi sposobnostmi, jih nenehno nadzorujte. Vedno mora biti prisotna odgovorna odrasla oseba.
- Izdelek zaklenite na mesto, kamor otroci in nepooblaščen osebe nimajo dostopa.
- Izdelek lahko povzroči izmet predmetov, zaradi česar lahko pride do poškodb. Upoštevajte varnostna navodila, da zmanjšate nevarnost poškodb ali smrti.
- Ko je motor vklopljen, se ne oddaljajte od izdelka. Izklopite motor in se prepričajte, da se veriga ne vrti.
- Za morebitne nesreče je odgovoren uporabnik izdelka.
- Pred uporabo izdelka se prepričajte, da deli izdelka niso poškodovani.
- Ravnajte v skladu z nacionalno ali lokalno zakonodajo. Ta lahko v določenih primerih prepreči ali omeji uporabo izdelka.

## Varnostna navodila za uporabo

- Neprekinjena ali redna uporaba izdelka lahko povzroči "bele prste" ali enakovredne zdravstvene težave zaradi vibracij. Pred neprekinjeno ali redno uporabo izdelka preglejte stanje svojih rok in prstov. Če roke ali prsti izgubijo barvo, v njih čutite bolečino ali mravljinice ali so otopeli, prenehajte z delom in se nemudoma posvetujte z zdravnikom.
- Izdelek mora biti pred uporabo popolnoma sestavljen.
- Izdelek lahko povzroči izmet predmetov, ki lahko poškodujejo oči. Pri uporabi izdelka vedno uporabljajte odobreno zaščitno očjo.
- Bodite previdni, saj se lahko izdelku med uporabo brez vaše vednosti približa otrok.
- Izdelka ne uporabljajte, če so na delovnem območju druge osebe. Če na delovno območje vstopi druga oseba, izdelek izklopite.

### (Sl. 21 )

- Izdelek imejte vedno pod nadzorom.
- Izdelek je treba upravljati z obema rokama. Ne upravljajte ga samo z eno roko. Pri upravljanju z eno roko lahko pride do hudih poškodb upravljalca, delavcev, drugih navzočih oseb ali kombinacije teh oseb.
- Z levo roko držite sprednji ročaj, z desno pa zadnji ročaj. Izdelek držite ob svojem desnem boku.

### (Sl. 22 )

- Ko ste utrujeni, bolni ali pod vplivom alkohola, mamil ali zdravil, izdelka ne uporabljajte.
- Izdelka ne uporabljajte, če v primeru nesreče ne morete pravočasno prejeti pomoči. Pred uporabo izdelka druge osebe vedno obvestite, da izdelek nameravate uporabljati.
- Preden izdelek vklopite, se prepričajte, da so druge osebe ali živali ustrezno oddaljene.
- Preden začnete uporabljati izdelek, iz delovnega območja odstranite vse odvečne predmete. Če veriga zadene v predmet, lahko to povzroči izmet predmeta in posledično poškodbe ali materialno škodo. Odvečni predmeti se lahko navijejo okrog verige in povzročijo poškodbe.
- Izdelka ne uporabljajte v slabih vremenskih razmerah, kot so megla, dež, močan veter, nevarnost strele ipd. Slabo vreme lahko ustvari nevarne delovne pogoje, npr. spolzke površine.
- Zagotovite, da se lahko prosto premikate in delo opravljate v stabilnem položaju.
- Zagotovite, da pri uporabi izdelka ne morete pasti. Izdelka med uporabo ne nagibajte.
- Izdelek vedno držite z obema rokama. Z levo roko držite sprednji ročaj, z desno pa zadnji ročaj. Izdelek držite ob svojem desnem boku.
- Če je ročica dušilnega ventila ob zagonu motorja v položaju dušenja, se začne veriga vrteti.
- Preden izdelek premikate, izklopite motor.
- Ko je motor vklopljen, izdelka ne odlagajte.

- Preden odstranite odvečni material z izdelka, izklopite motor. Počakajte, da se veriga ustavi, preden vi ali oseba, ki vam pomaga, začnete odstranjevati razrezan material.
- Izdelka ne uporabljajte na drevesu. Pri upravljanju izdelka na drevesu lahko pride do telesnih poškodb.

### (Sl. 23 )

- Ko izdelek zaženete, mora biti zavora verige vklopljena, s čimer zmanjšate nevarnost, da med zagonom pridete v stik z verigo.

### (Sl. 24 )

- Preprečite povratni sunek, drsenje, odbijanje in padec motorne žage, saj lahko povzročijo hude poškodbe.
- Upoštevajte vse varnostne predpise, da preprečite povratni sunek in druge udarce, saj lahko povzročijo hude poškodbe.
- Redno prilagajajte napetost verige žage in s tem zagotovite, da ni povešena. Povešena veriga lahko zaradi podajanja izskoči iz meča in povzroči hude poškodbe ali smrt.
- Drevesa vedno podirajte po pravilnem postopku. V nasprotnem primeru lahko poškodujete osebe, zadenete v napeljavo ali povzročite materialno škodo.
- Upravljalac mora na pobočju stati višje od drevesa, saj se drevo po podrtju običajno zakotali ali zdrsne po strmini navzdol.

### (Sl. 25 )

- Pred začetkom rezanja načrtujte in očistite pot umika. Pot umika mora potekati stran od drevesa in diagonalno nazaj glede na pričakovano linijo padca drevesa.

### (Sl. 26 )

- Preden izdelek premaknete od enega drevesa k drugemu, vedno izklopite motor.
- Prepričajte se, da trdno postavite noge na tla in enakomerno porazdelite težo.

### (Sl. 27 )

- Vedno imejte stabilen položaj in izdelek uporabljajte samo, kadar stojite na trdni, varni in ravni površini. Na zdrsiljivih in nestabilnih površinah, kot so lestve, lahko izgubite ravnotežje ali nadzor.

### (Sl. 28 )

## Povratni sunek, drsenje, odbijanje in padec

Na varno upravljanje izdelka lahko vplivajo različne sile.

- **Drsenje** je hitro drsenje ali premikanje meča po površini lesa.
- **Odbijanje** je izmenično dviganje meča od lesa in dotikanje lesa.
- **Padec** je hiter spust izdelka, potem ko se meč prebije skozi zarezo. To lahko povzroči, da se vrteča se veriga dotakne dela telesa ali drugih predmetov, pri čemer lahko pride do poškodbe ali materialne škode.

- **Povratni sunek** je nenaden premik meča nazaj, navzgor ali naprej, ko se konec meča dotakne predmeta. Do povratnega sunka pride tudi, če se pri rezanju zarez v lesu zapre in priščipne verigo žage. Če se izdelek dotakne predmeta v lesu, lahko pride do izgube nadzora nad izdelkom.

(Sl. 29)

- Do **povratnega sunka zaradi vrtenja verige** lahko pride, ko se vrteča se veriga dotakne predmeta z zgornjo stranjo meča. To lahko povzroči, da se veriga pogrezne v predmet in se nenadoma ustavi. Zaradi tega pride do zelo hitre obratne reakcije meča, ki se premakne navzgor in nazaj v smeri proti upravljalcu.

(Sl. 30)

(Sl. 31)

- **Dopovratnega sunka zaradi priščipnjenja** lahko pride, ko se veriga žage med rezanjem nenadoma ustavi. Zareza v lesu se zapre in priščipne vrtečo se verigo na zgornji strani meča. Nenadna ustavitev verige obrne silo premikanja verige in povzroči, da se izdelek premakne v nasprotni smeri vrtenja verige. Izdelek se premakne navzgor v smeri proti upravljalcu.

(Sl. 32)

- **Dopovleka** lahko pride, ko se veriga nenadoma ustavi, ko se vrteča se veriga s spodnjo stranjo meča dotakne predmeta v lesu. Nenadna ustavitev povleče izdelek naprej in stran od upravjalca, kar lahko hitro povzroči, da upravljalec izgubi nadzor nad izdelkom.

(Sl. 33)

Preden začnete upravljati izdelek, poskrbite, da razumete, kako delujejo različne sile in kako ravnati, da do njih ne bi prišlo.

## Ukrepi za preprečevanje povratnih sunkov, drsenja, odbijanja in padcev

- Ko motor teče, poskrbite, da trdno držite izdelek. Z desno roko držite zadnji ročaj, z levo pa sprednjega. Poskrbite za dober prijem palcev in ostalih prstov na ročajih. Ne izpusťite ročajev.
- Ohranjajte nadzor nad izdelkom med rezanjem in tudi potem, ko les že pade na tla. Ne dovolite, da bi se po opravljeni zarez izdelek zaradi sile lastne teže spustil proti tlu. (Sl. 34)
- Prepričajte se, da je območje, v katerem žagate, brez ovir. Ne dovolite, da bi se konica meča pri upravljanju izdelka dotaknila hloda, veje ali drugih ovir.
- Žagajte pri velikem številu vrtljajev motorja.
- Z izdelkom ne segajte predaleč in ne žagajte nad višino ramen. (Sl. 35)
- Upoštevajte proizvajalčeva navodila za brušenje in vzdrževanje verige.
- Uporabljajte samo nadomestne meče in verige, ki jih je določil proizvajalec.

- Nevarnost povratnega udarca se poveča, če je nastavljena prevelika globina.

## Osebna zaščitna oprema

- Pri uporabi izdelka vedno uporabljajte ustrezno osebno zaščitno opremo. Uporaba osebne zaščitne opreme ne odpravi vseh morebitnih nevarnosti poškodb. Osebna zaščitna oprema zmanjša stopnjo resnosti poškodb v primeru nesreče.
- V splošnem morajo biti oblačila tesno prilagajajoča in ne smejo omejevati vaše svobode pri gibanju.
- Uporabljajte odobreno zaščitno čelado.
- Pri uporabi izdelka vedno uporabljajte odobreno zaščito za sluh. Dolgotrajen hrup lahko povzroči izgubo sluha.
- Uporabljajte zaščitna očala ali vizir za obraz, da zmanjšate tveganje za poškodbe zaradi izmeta predmetov. Izdelek lahko z veliko silo izvrže predmete, kot so lesni odrezki, majhni delci lesa itn. Zaradi tega lahko pride do hudih poškodb, zlasti poškodb oči.
- Uporabljajte rokavice z zaščito za motorne žage.
- Uporabljajte hlače z zaščito za motorne žage.
- Uporabljajte škornje z zaščito za motorne žage, ojačano konico in nedrsečim podplatom.
- Zagotovite, da je v bližini komplet prve pomoči.
- Na dušilniku, meču in verigi ali drugih virih lahko nastajajo iskre. Vedno imejte v bližini opremo za gašenje požara in lopato, da lahko preprečite gozdni požar.

## Varnostne naprave na izdelku

- Izdelek morate redno vzdrževati.
  - Življenjska doba izdelka se podaljša.
  - Nevarnost nesreč se zmanjša.

Pooblaščen prodajalec ali pooblaščen servisni center naj izdelek redno pregleduje in izvaja nastavitve ter popravila.

- Izdelka ne uporabljajte s poškodovano zaščitno opremo. Če je izdelek poškodovan, se obrnite na pooblaščen servisni center.

## Izklopno stikalo

Zaženite motor. Motor se mora izklopiti, ko izklopno stikalo premaknete v položaj za izklop.

## Preverjanje delovanja zaklepa za ročico plina

1. Prepričajte se, da se ročica za plin (B) v prostem teku zaklene, ko sprostite gumb za zaklepanje ročice plina (A). (Sl. 36)
2. Pritisnite gumb za zaklepanje ročice plina (A) in se prepričajte, da se vrne v začetni položaj, ko ga sprostite.
3. Pritisnite ročico plina (B) in se prepričajte, da se vrne v začetni položaj, ko jo sprostite.
4. Zaženite motor in do konca pritisnite ročico za plin.

5. Sprostite ročico za plin in preverite, ali se veriga ustavi.
6. Če se veriga vrti, ko je motor v prostem teku, pregledajte vijak za prilagoditev prostega teka uplinjača.

### Ščitnik

Ščitnik preprečuje izmet predmetov v smeri upravljavca. Ščitnik pa preprečuje tudi nenameren stik upravljavca z verigo.

- Prepričajte se, da je ščitnik dovoljeno uporabljati skupaj z izdelkom.
- Izdelka ne uporabljajte brez ščitnika.
- Prepričajte se, da ščitnik ni poškodovan. Če je ščitnik obrabljen ali razpokan, ga zamenjajte.

### Varnost pri delu z gorivom

- Če so na izdelku ostanke goriva ali motornega olja, izdelka ne zaganjajte. Očistite ostanke goriva/olja in počakajte, da se izdelek posuši. Očistite ostanke goriva z izdelka.
- Če se z gorivom polijete po obleki, se nemudoma preoblecite.
- Pazite, da goriva ne polijete po telesu, saj lahko pride do poškodb. Če gorivo polijete po telesu, se očistite z milom in vodo.
- Če se je olje ali gorivo polilo po izdelku ali po vašem telesu, ne zaganjajte motorja.
- Če motor pušča, izdelka ne zaganjajte. Redno preverjajte, ali motor pušča.
- Z gorivom ravnajte previdno. Gorivo je vnetljivo, hlapi pa so eksplozivni, zato lahko pride do poškodb ali smrti.
- Ne vdihavajte hlapov goriva, saj lahko pride do poškodb. Zagotovite zadosten pretok zraka.
- V bližini goriva ali motorja ne kadite.
- Vročih predmetov ne postavljajte v bližino goriva ali motorja.
- Goriva ne dolivajte, ko je motor vklopljen.
- Pred dolivanjem goriva se prepričajte, da je motor ohlajen.
- Pred dolivanjem počasi odprite pokrovček posode za gorivo in previdno sprostite pritisk.
- Goriva ne dolivajte v zaprtih prostorih. Ne zadosten pretok zraka lahko povzroči poškodbe ali smrt zaradi zadušitve ali zastrupitve z ogljikovim monoksidom.
- Skrbno privijte pokrovček posode za gorivo, da ne pride do požara.
- Preden izdelek vklopite, ga premaknite najmanj 3 m (10 čevljev) stran od mesta, kjer ste napolnili posodo za gorivo.
- V posodo za gorivo ne nalijte preveč goriva.
- Prepričajte se, da med premikanjem izdelka ali posode za gorivo ne more priti do iztekanja.

- Izdelka ali posode za gorivo ne postavljajte v bližino odprtega ognja, isker ali indikatorskih lučk. Prepričajte se, da izdelek med skladiščenjem ni izpostavljen odprtemu ognju.
- Pri premikanju ali skladiščenju goriva uporabljajte samo odobrene posode.
- Pred dolgotrajnim skladiščenjem izpraznite posodo za gorivo. Pri odlaganju goriva ravnajte v skladu z lokalno zakonodajo.
- Pred dolgotrajnim skladiščenjem izdelek očistite.
- Pred skladiščenjem odstranite kabel žvlgalne svečke, da preprečite nenameren zagon motorja.

### Varnostna navodila za vzdrževanje

- Odklopite svečko, preden začnete izvajati vzdrževanje izdelka, razen če gre za nastavljanje uplinjača.
- Vse servisna opravila naj izvede odobren trgovec, razen če gre za opravila v *VZDRŽEVANJE na strani 353*.
- Prepričajte se, da se veriga ustavi, ko sprostite ročico plina.
- Ročaji naj bodo suhi in čisti, ne umazani od olja ali mešanice goriva.
- Pokrovčki in pritrditveni elementi naj bodo pravilno zatisnjeni.
- Nadomestni deli, ki niso odobreni, ali odstranitev varoval lahko povzročijo škodo na izdelku. Poleg tega se upravljalca ali druge navzoče osebe poškodujejo. Uporabljajte samo priporočene dodatke in nadomestne dele. Ne spreminjajte svojega izdelka.
- Žaga naj bo vedno dobro nabrušena in čista, da bo upravljanje z njo varno in učinkovito.
- Upošteвайте navodila za mazanje in zamenjavo dodatkov.
- Preglejte izdelek in njegove dele, ali so morda poškodovani. Pred nadaljnjo uporabo izdelka se prepričajte, da poškodovani ščitnik ali del pravilno deluje. Preglejte izdelek, da ugotovite, ali so njegovi deli morda pokvarjeni ali nepravilno poravnani in ali se gibljivi deli gladko gibajo. Preverite še druge pogoje, ki lahko vplivajo na delovanje izdelka. Prepričajte se, da je izdelek pravilno nameščen. Ščitnik ali drug poškodovan del mora popraviti ali zamenjati odobren trgovec, razen če je v navodilih za uporabo navedeno drugače.
- Ko izdelka ne uporabljate, ga hranite na suhem, visokem ali zaklenjenem mestu zunaj dosega otrok.
- Za premikanje izdelka med prevozom ali skladiščenjem uporabite ščitnik meča ali kovček.
- Ne uporabljajte odpadnega olja. Odpadno olje je lahko nevarno za uporabnika in lahko povzroči škodo na izdelku in v okolju.

## SESTAVLJANJE



**OPOZORILO:** Preden začnete sestavljati izdelek, morate prebrati in razumeti poglavje o varnosti.

### Sestavljanje meča in verige

1. Premaknite sprednji ščitnik za roko v smeri proti sprednjemu ročaju, da sprostite zavoro verige.
2. Gumbni vijak izvlomite v odprt položaj. (Sl. 37 )
3. Gumbni vijak zavrtite v nasprotni smeri urinega kazalca, da sprostite pokrov meča.(Sl. 38 )
4. Odstranite gumbni vijak (A) in pokrov zobnika. Remove the transportation guard, if installed. (Sl. 39 )
5. Postavite meč nad vijake meča. Pomaknite meč v skrajno zadnji položaj. Verigo poveznite čez pogonski zobnik in jo vpnite v utor meča. Začnite na zgornji strani meča. (Sl. 40 )
6. Prepričajte se, da so robovi rezalnih členov na zgornji strani meča obrnjeni naprej.
7. Sestavite pokrov zobnika in pomaknite nastavitveni vijak verige na luknjo v meču. Prepričajte se, da se pogonski členi verige pravilno prilegajo pogonskemu zobniku. Poleg tega se prepričajte še, da je veriga pravilno vpeta v utor meča. (Sl. 41 )
8. Verigo napnite tako, da kolesce zavrtite navzdol (+). Verigo napečajte, dokler ni pod mečem povsem napeta. (Sl. 42 )

9. Veriga je pravilno napeta, ko ne visi več pod mečem, a jo lahko z roko še vedno z lahkoto vrtite.
10. Pridržite konico meča in gumbni vijak zavrtite v smeri urinega kazalca, da jo privijete. (Sl. 43 )

- Potem ko sestavite novo verigo in dokler se ta ne uteče, pogosto preverjajte napetost verige.
- Redno preverjajte napetost verige. Pravilna napetost verige zagotavlja dobro učinkovitost žaganja in dolgo življenjsko dobo.

### Ponastavitev zavore verige

Če se pokrov sklopke nehote sname, medtem ko je zavora verige zaklenjena, je treba zavoro odkleniti, da lahko znova namestite pokrov sklopke brez poseganja v boben sklopke.



**POZOR:** Vzmet zavora verige je pod napetostjo. Bodite previdni pri ponastavitvi zavora verige.

**Opomba:** Med ponastavitvijo zavora ne držite zavornega traku.

1. Poravnajte zarezne na pripravi za meč tako, da se prilegajo vrtljivemu členu zavora.(Sl. 44 )
2. Če želite zavoro ponastaviti, člen vrtite v smeri urnega kazalca, dokler se ne zaustavi. Ob odklepanju zavora verige je sprednji člen obrnjen navzdol.(Sl. 45 )(Sl. 46 )

## UPORABA



**OPOZORILO:** Pred uporabo izdelka morate prebrati in razumeti poglavje o varnosti.

### Uporaba goriva



**POZOR:** Ta izdelek ima dvotaktni motor. Uporabite mešanico bencina in motornega olja za dvotaktna motorje. Mešanica mora vsebovati ustrezno količino olja. Če je razmerje med bencinom in oljem neustrezno, lahko pride do poškodb motorja.

### Razmerje mešanice goriva

Razmerje mešanice goriva za bencin in olja za dvotaktni motor je 50:1 (2 %).

Bencin	Motorno olje za dvotaktna motorje
1 galona	77 ml (2,6 unče)

Bencin	Motorno olje za dvotaktna motorje
1 britanska galona	95 ml (3,2 unče)
5 l	100 ml (3,4 unče)

### Ustvarjanje mešanice goriva

1. Določite pravilno količino bencina in motornega olja (razmerje mešanice je 50:1). Zagotovite, da je mogoče količino mešanice goriva, ki jo ustvarite, porabiti v 30 dneh. Glejte *Uporaba goriva na strani 350*.
2. Dodajte polovično količino bencina v čisto posodo za gorivo z ventilom proti prelitju.



**POZOR:** Ne uporabljajte bencina, ki ima koncentracijo etanola (E10) višjo od 10 %. Izdelek se lahko tako poškoduje.



**POZOR:** Ne uporabljajte bencina, ki ima oktansko število nižje od 90 RON (87 AKI). Izdelek se lahko tako poškoduje.

**Opomba:** Če izdelek pogosto uporabljate pri visokem številu vrtljajev motorja, uporabljajte bencin z višjim oktanskim številom.

3. Dodajte celotno količino olja za dvotaktne motorje v posodo za gorivo.



**POZOR:** Vedno uporabite visokokakovostno olje za zračno hlajene dvotaktne motorje. Druga olja lahko poškodujejo izdelek.

4. Posodo z mešanico goriva pretresite, da se vsebina zmeša.
5. Dodajte preostalo količino bencina v posodo za gorivo.
6. Posodo z mešanico goriva pretresite, da se vsebina zmeša.
7. Napolnite posodo za gorivo izdelka z mešanico goriva. Glejte *Uporaba goriva na strani 350*.

## Polnjenje posode za gorivo

1. Prepričajte se, da je mešanica goriva pravilna in da je v posodi za gorivo z ventilom proti prelitju.
2. Če so na posodi za gorivo ostanki goriva, posodo očistite in počakajte, da se posuši.
3. Zagotovite, da je območje okrog pokrovčka posode za gorivo čisto.
4. Odstranite pokrovček posode za gorivo.
5. Preden mešanico goriva nalijete v posodo za gorivo, posodo za gorivo pretresite.
6. Znova namestite pokrovček posode za gorivo.

## Mazanje verige

Izdelek ima samodejen sistem za mazanje. Posoda za olje za verigo in posoda za gorivo sta zasnovani tako, da prej zmanjka goriva kot olja za verigo. Zaradi te varnostne funkcije je treba uporabiti ustrezno olje za verigo in upoštevati navodila.

1. Uporabite olje za verige, ki se pridobiva iz rastlin, ali standardno olje za verigo.
2. Poskrbite, da je območje okrog pokrovčka posode za olje za verigo čisto.
3. Odstranite pokrovček posode za olje za verigo.
4. Napolnite posodo za olje za verigo s priporočenim oljem za verigo.
5. Znova namestite pokrovček posode za olje za verigo.

## Zagon in zaustavitev

### Pred zagonom motorja

- Izdelek pregledajte in zagotovite, da na njem ni manjkajočih, poškodovanih ali odvitih delov.
- Pregledjte matice in vijake.
- Pregledjte zračni filter.
- Preverite, ali gumb za zaklepanje ročice plina in ročica plina pravilno delujeta.
- Preverite, ali izklopno stikalo pravilno deluje.
- Pregledjte, ali iz izdelka izteka gorivo.
- Pregledjte ostrino in napetost verige.

### Zagon hladnega motorja

1. Premaknite sprednji ščitnik za roko naprej, da aktivirate zavoro verige. (Sl. 47 )
2. Šestkrat pritisnite membrano črpalke za gorivo. (Sl. 48 )
3. Ročico čoka potisnite v položaj odprtega čoka. (Sl. 49 )
4. Z levo roko pritisnite ohišje izdelka ob tla. Z desno nogo stopite v zadnji ročaj in tako stabilizirajte motorno žago. Počasi povlecite ročico zaganjalne vrvice, dokler ne začutite določenega upora. Nato ročico zaganjalne vrvice petkrat močno povlecite. (Sl. 50 )

**Opomba:** Med zaganjanjem motorja ne pritisčajte ročice plina.

5. Ročico dušilnega ventila (čoka) potisnite v položaj brez dušenja.
6. Povlecite zaganjalno vrstico, dokler ne zaženete motorja. Po zagonu počakajte 60 sekund in nato pritisnite ročico plina.



**POZOR:** Zaganjalne vrvice ne vlecite, dokler se ne ustavi. Ko je zaganjalna vrstica popolnoma iztegnjena, je ne izpustite. Zaganjalno vrstico počasi spustite. Upoštevajte ta navodila, da se motor ne poškoduje.

7. Povlecite sprednji ščitnik za roko v smeri proti sprednjemu ročaju, da sprostite zavoro verige.
8. Z desno roko držite zadnji ročaj, z levo pa sprednji ročaj.
9. Uporabite izdelek.

### Zagon toplega motorja

1. Premaknite sprednji ščitnik za roko naprej, da aktivirate zavoro verige.
2. Šestkrat pritisnite membrano črpalke za gorivo.
3. Ročico čoka potisnite v položaj odprtega čoka.
4. Ročico dušilnega ventila (čoka) potisnite v položaj brez dušenja.

5. Z levo roko pritisnite ohišje izdelka ob tla. Z desno nogo stopite v zadnji ročaj in tako stabilizirajte motorno žago. Počasi povlecite ročico zaganjalne vrvice, dokler ne začutite določenega upora. Nato močno povlecite zaganjalno vrstico, dokler ne zaženete motorja. (Sl. 51 )

**Opomba:** Med zaganjanjem motorja ne pritisčajte ročice plina.



**POZOR:** Zaganjalne vrvice ne vlecite, dokler se ne ustavi. Ko je zaganjalna vrstica popolnoma iztegnjena, je ne izpusťite. Zaganjalno vrstico počasi spustite. Upoštevajte ta navodila, da se motor ne poškoduje.

6. Povlecite sprednji ščitnik za roko v smeri proti sprednjemu ročaju, da sprostite zavoro verige.
7. Z desno roko držite zadnji ročaj, z levo pa sprednji ročaj.
8. Uporabite izdelek.

### Zagon izdelka, ko je gorivo prevroč

Če se izdelek ne zažene, je lahko za to krivo prevroč gorivo.

**Opomba:** Vedno uporabite novo gorivo in v toplem vremenu skrajšajte čas delovanja.

1. Postavite izdelek na hladno in v senco.
2. Počakajte vsaj 20 minut, da se izdelek ohladi.
3. Večkrat pritisnite membrano črpalke za gorivo v času 10–15 sekund.
4. Upoštevajte postopek za zagon hladnega motorja. Glejte *Zagon hladnega motorja na strani 351*.

### Zaustavitev motorja

- Za zaustavitev motorja pritisnite izklopno stikalo.

**Opomba:** Izklopno stikalo se samodejno vrne v začetni položaj.

### Uporaba zobate opore

Zobata opora preprečuje povratne sunke in drži les, ko ga žagate. Zobata opora je vrtilna os med telesom motorja in mečem.

1. Postavite spodnji konec zobate opore na pravilno širino ščetine.
2. Z levo roko potiskajte sprednji ročaj in pri tem z desno roko dvigajte zadnji ročaj.
3. Žagajte do pravilne širine ščetine.

**Opomba:** Ščetina mora biti povsod enako debela.

4. Zažagajte več kot polovico premera in nato v nastalo zarezo vstavite zagozdo za podiranje.

### Podiranje drevesa

1. Z debla drevesa odstranite zemljo, kamne, odstopajoče lubje, žeblje, sponke in žico.
2. Naredite zasek do globine 1/3 premera debla pravokotno na smer padanja.(Sl. 52 )
3. Naredite spodnji vodoravni rez. To pomaga preprečiti priščipnjenje verige ali meča, ko delate drugi rez.
4. Naredite rez za podžaganje (X) vsaj 50 mm (2 palca) višje od vodoravnega reza zaseka. Rez za podžaganje naj bo vzporeden z vodoravnim rezom zaseka, da ostane dovolj lesa za ščetino. Ne prežagajte debla vse do vrha zaseka. Les ščetine preprečuje, da bi se drevo zavrtelo in padlo v nepravilni smeri.(Sl. 53 )(Sl. 54 )
5. Ko se zarez podžaganja bliža ščetini, drevo začne padati. Zagotovite, da lahko drevo pade v pravilno smer ter da se ne more zazibati nazaj in priščipniti verige. Da to preprečite, ustavite rezanje zarez podžaganja. Z bloki iz lesa, plastike ali aluminija odprite zarezo in pustite, da drevo pade po ustrezni liniji padca.(Sl. 55 )
6. Ko drevo začne padati, izdelek odstranite iz zarez, zaustavite motor, izdelek odložite in se umaknite po načrtovani poti. Bodite pozorni na padanje vejevja in pazite na svoje stojišče.(Sl. 56 )

### Kleščanje drevesa

1. Deblo s pomočjo večjih vej dvignite od tal.
2. Manjše veje odžagajte z eno potezo.(Sl. 57 )
3. Napete veje žagajte od spodaj navzgor, da preprečite priščipnjenje verige ali meča.

### Prežaganje debla



**POZOR:** Veriga se ne sme dotakniti tal.

- Če je deblo podprto po celotni dolžini, začnite žagati na zgornji strani debla (žaganje od zgoraj navzdol). (Sl. 58 )
- Če je deblo podprto na enem koncu, ga prežagajte do globine 1/3 premera s spodnje strani (žaganje od spodaj navzgor).(Sl. 59 )
- Če je deblo podprto na obeh koncih, ga prežagajte do globine 1/3 premera z zgornje strani. Rez dokončajte tako, da prežagate 2/3 premera s spodnje strani, dokler ne dosežete prvega reza.(Sl. 60 )
- Če deblo žagate na pobočju, morate vedno stati višje od debla. Medtem ko žagate deblo, ohranite popoln nadzor nad izdelkom, nato pa ob koncu reza sprostite pritisk pri žaganju, pri čemer trdno držite zadnji in sprednji ročaj.(Sl. 61 )



---

# VZDRŽEVANJE

---



**OPOZORILO:** Pred čiščenjem in izvajanjem popravil ali vzdrževalnih del na izdelku morate prebrati in razumeti poglavje o varnosti.

## Urniki vzdrževanja

Dosledno sledite urniku vzdrževanja. Izračunani intervali veljajo za vsakodnevno uporabo izdelka. Če izdelka ne uporabljate vsak dan, veljajo drugačni intervali. Izvajajte samo postopke vzdrževanja, ki jih vsebuje ta priročnik. Glede drugih postopkov vzdrževanja, ki jih ta priročnik ne vsebuje, se obrnite na pooblaščen servisni center.

## Dnevno vzdrževanje

- Očistite zunanje površine.
- Zagotovite, da gumb za zaklepanje ročice plina in ročica plina pravilno delujeta.
- Očistite zavoro verige in zagotovite, da deluje pravilno.

(Sl. 62 )

- Preverite, ali je lovilnik verige poškodovan. Če je lovilnik verige poškodovan, ga zamenjajte.

(Sl. 63 )

- Meč dnevno obračajte in tako zagotovite, da se enakomerno obrablja.
- Zagotovite, da mazalna odprtina v meču ni zamašena.

(Sl. 64 )

- Očistite utor meča.

(Sl. 65 )

- Zagotovite, da je mazanje meča in verige z oljem zadostno.
- Preglejte verigo in zagotovite:
  - da na kovinah in členih ni razpok,
  - da kovice in členi niso neenakomerno obrabljeni,
  - da je ustrezno napeta.

Verigo po potrebi zamenjajte.

- Verigo nabrusite. Glejte *Brušenje verige na strani 354*.
- Preglejte obrablenost pogonskega zobnika in ga po potrebi zamenjajte.

(Sl. 66 )

- Očistite dovod zraka enote zaganjalnika.
- Prepričajte se, da so matice in vijaki dobro priti.
- Zagotovite, da stikalo za zaustavitev deluje pravilno.
- Preglejte, ali iz motorja, rezervoarja ali cevi za gorivo izteka gorivo.
- Prepričajte se, da se veriga med delovanjem motorja v prostem teku ne vrti.

## Tedenska vzdrževalna opravila

- Zagotovite, da hladilni sistem deluje pravilno.
- Zagotovite, da zaganjalnik, zaganjalna vrstica in povratna vzmet delujejo pravilno.
- Prepričajte se, da protivibracijski elementi niso poškodovani.

(Sl. 67 )

- Z robov meča opilite vse grobe ostanke.
- Očistite ali zamenjajte mrežico lovilnika isker na dušilniku.

(Sl. 68 )

- Očistite zunanje površine uplinjača in bližnjih območij.
- Očistite zračni filter. Če je zračni filter poškodovan ali preveč umazan, da bi ga lahko temeljito očistili, namestite novega. Za več informacij glejte *Čiščenje zračnega filtra na strani 354*.

## Mesečna vzdrževalna opravila

- Preverite, ali je zavorni trak na zavori verige obrablen. Trak zamenjajte, ko je debelina zavornega traku na najbolj obrabljenem delu manjša od 0,6 mm (0,024 palca).

(Sl. 69 )

- Preverite, ali so središčni del, boben in vzmet sklopke obrabljeni.
- Zamenjajte vžigalno svečko. Prepričajte se, da je razmak pri elektrodi pravi.

(Sl. 70 )

- Očistite zunanje površine uplinjača in bližnjih območij.
- Preglejte filter za gorivo in cev za gorivo. Po potrebi jih zamenjajte.
- Izpraznite posodo za gorivo.
- Izpraznite posodo za olje.
- Preverite vse kable in povezave.

## Letno vzdrževanje

- Preglejte svečko.
- Očistite zunanje površine uplinjača in bližnjih območij.
- Očistite hladilni sistem.
- Preglejte lovilnik isker.
- Preglejte filter goriva.
- Preverite, ali je cev goriva poškodovana.
- Preverite vse kable in povezave.

## Redno vzdrževanje

- V pooblaščenem servisnem centru naj izvedejo popravilo ali zamenjavo dušilnika po 50 urah delovanja.
- Izvedite vzdrževalna dela na vžigalni svečki:
  - če je moč motorja nizka,
  - če se motor s težavo zažene,
  - če motor pri hitrosti prostega teka ne deluje pravilno.
- Ob vsakem dolivanju goriva preverite, ali je veriga dovolj namazana. Glejte *Preverjanje mazanja verige na strani 355*.

## Prilagajanje hitrosti prostega teka

Pred prilagajanjem hitrosti prostega teka zagotovite, da je zračni filter čist in da je nameščen pokrov zračnega filtra.

1. Vijak za prilagoditev prostega teka z oznako "T" obrnite v smeri vrtenja urinih kazalcev, dokler se veriga ne začne vrteti.
2. Vijak za prilagoditev prostega teka z oznako "T" obrnite v nasprotni smeri vrtenja urinih kazalcev, dokler se veriga ne ustavi.
3. Hitrost prostega teka mora biti nižja od hitrosti, pri kateri se veriga začne vrteti. Hitrost prostega teka je nastavljena pravilno, ko motor deluje enakomerno v vsakem položaju.

## Čiščenje mrežice lovilnika isker

1. Mrežico lovilnika isker očistite z žično krtačo.

## Vzdrževalna dela na vžigalni svečki



**POZOR:** Uporabite priporočeno svečko. Nadomestna svečka naj bo iste vrste kot priložena svečka proizvajalca. Če uporabite neustrezno svečko, se lahko izdelek poškoduje.

1. Če se pojavijo težave pri zagonu ali delovanju izdelka, preverite, ali so se na svečki nabrale obloge. Tveganje za pojav oblog na elektrodah svečke lahko zmanjšate na naslednje načine:
  - a) preverite, ali je hitrost prostega teka pravilno nastavljena,
  - b) zagotovite, da je mešanica goriva ustrezna,
  - c) zagotovite, da je zračni filter čist.
2. Če je svečka umazana, jo očistite. Prepričajte se, da je razmak pri elektrodi pravilen. (Sl. 71)
3. Svečko po potrebi zamenjajte.

## Čiščenje zračnega filtra

1. Odstranite pokrov zračnega filtra in zračni filter.
2. Zračni filter očistite s toplo milnico. Počakajte, da se zračni filter posuši, preden ga znova namestite.

3. Če je zračni filter preveč umazan, da bi ga lahko temeljito očistili, ga zamenjajte. Če je zračni filter poškodovan, ga zamenjajte.

## Brušenje verige

### Nož

Rezalni del verige se imenuje rezilo, ki ga sestavlja rezalni zob (A) in mera globine (B). Globino reza noža določa razlika v višini med rezalnim zobom in mero globine reza, ki se imenuje nastavitev globine reza (C).

(Sl. 72)

Pri brušenju rezalnih zob si zapomnite štiri pomembne dejavnike:

- Kot piljenja.

(Sl. 73)

- Kot rezanja.

(Sl. 74)

- Položaj pile.

(Sl. 75)

- Premer okrogle pile.

(Sl. 76)

### Brušenje rezalnih zob

Rezalne zobe nabrusite z okroglo pilo in šablono. Za več informacij o priporočenih merah pile in šablone za verigo, nameščeno na vašem izdelku, glejte *Piljenje verige in kombinacije verig na strani 357*.

1. Zagotovite, da je veriga ustrezno napeta. Povešana veriga se premika postrani, zato jo boste težko ustrezno nabrusili.
2. Vse zobe najprej s pilo nabrusite na eni strani. Nato s pilo nabrusite rezalne zobe od znotraj in zmanjšajte pritisk na povratni strani.
3. Izdelek obrnite na drugo stran in zobe s pilo nabrusite še na drugi strani.
4. Vse zobe zbrusite na enako višino. Ko je višina rezalnih zob 4 mm (5/32 palca), je veriga obrabljena in jo je treba zamenjati. (Sl. 77)

### Prilagoditev nastavitve globine reza

Preden določite nastavitev globine reza, nabrusite rezalne zobe. Glejte *Brušenje rezalnih zob na strani 354*. Ko brusite rezalni zob (A), se nastavitev mere globine reza (C) zmanjša. Če želite ohraniti optimalno učinkovitost rezanja, je treba spiliti mero globine reza (B), da se doseže priporočena nastavitev mere globine reza. Za ustrezno nastavitev mere globine reza za dano verigo glejte *Piljenje verige in kombinacije verig na strani 357*.

(Sl. 78)

(Sl. 79)

**Opomba:** To priporočilo velja le, če rezalni zobje niso bili prekratki.

Mero globine reza prilagodite s ploščato pilo in šablono za brušenje globinski zob.

1. Šablono za brušenje globinskih zob postavite nad verigo. Podrobne informacije o uporabi šablone za brušenje globinskih zob najdete na embalaži šablone za brušenje globinskih zob.
2. S ploščato pilo spilitte konico globine reza, ki se razteza skozi šablono za brušenje globinskih zob. Nastavitev globine reza je pravilna, ko pri brušenju s pilo po šablono za brušenje globinskih zob ne čutite več upora.

## Nastavitev napetosti verige

**Opomba:** Med obdobjem utekanja nove verige pogosto preverjajte njeno napetost.

1. Sprostite matice meča, s katerimi je pritrjen pokrov zobnika. Uporabite kombiniran ključ. (Sl. 80 )
2. Nato z rokami čim močneje zategnite matice meča.
3. Dvignite zgornjo stran meča in iztegnite verigo tako, da zategnete vijak za napenjanje verige. Uporabite kombiniran ključ. Napenjajte verigo, dokler na spodnji strani meča ni več povešena. (Sl. 81 )
4. S kombiniranim ključem zategnite matice meča in hkrati dvignite konico meča. (Sl. 82 )

5. Prepričajte se, da lahko verigo nemoteno obračate z rokami in da ni povešena. (Sl. 83 )

## Mazanje rezalne opreme

### Preverjanje mazanja verige

Ob vsakem dolivanju goriva preverite, ali je veriga dovolj namazana.

1. Zažene izdelek in pustite, da teče pri 3/4 hitrosti. Konico meča usmerite proti svetli podlagi. Od podlage naj bo oddaljena približno 20 cm (8 palcev).
2. Po 1 minuti delovanja je na svetli podlagi vidna črta olja.
3. Če se črta olja po 1 minuti ne prikaže, očistite oljni kanal v meču. Očistite utor na robu meča. Zagotovite, da se zobnik konice meča nemoteno vrti in da mazalna odprtina ni zamašena. Očistite in namažite zobnik konice meča.
4. Zažene izdelek in pustite, da teče pri 3/4 hitrosti. Konico meča usmerite proti svetli podlagi. Od podlage naj bo oddaljena približno 20 cm (8 palcev).
5. Po 1 minuti delovanja je na svetli podlagi vidna črta olja.
6. Če se črta olja po 1 minuti ne prikaže, se obrnite na pooblaščenega prodajalca.

## PREVOZ

- Pred prevažanjem izpraznite posodo za gorivo in posodo za olje za verigo. Tekočine pravilno zavržite.
- Med prevozom na rezalni priključek namestite ščitnik meča. Tako preprečite, da bi se kdo po nesreči dotaknil ostre verige. Ostre verige, ki ni v uporabi, se ni dovoljeno dotikati, saj lahko pride do poškodb.
- Pred prevažanjem odstranite pokrovček s svečke in aktivirajte zavoro verige.
- Zagotovite, da je izdelek med prevažanjem dobro pritrjen.

## SKLADIŠČENJE

- Ko izdelka ne uporabljate, ga varno pospravite. Hlapi in tekočine, ki iztekajo iz izdelka, lahko pridejo v stik z iskrami ali neposrednimi plameni iz električne opreme, električnih kosilnic, relejev/stikal, grelnikov vode itd.
- Gorivo vedno shranjujte v odobreni posodi.
- Pri daljšem skladiščenju izdelka izpraznite posodo za gorivo in posodo za olje za verigo. Tekočine pravilno zavržite.
- Med skladiščenjem na rezalni priključek namestite ščitnik meča. Tako preprečite, da bi se kdo po nesreči dotaknil ostre verige. Ostre verige, ki ni v uporabi, se ni dovoljeno dotikati, saj lahko pride do hudih poškodb.
- Pred skladiščenjem odstranite pokrovček s svečke in aktivirajte zavoro verige.

## TEHNIČNI PODATKI

	enota	120 Mark II (P02138HV)
<b>Specifikacije motorja</b>		
Gibna prostornina valja	cm <sup>3</sup>	38

	enota	120 Mark II (P02138HV)
Vžigalna svečka		Champion RCJ7Y
Razmak med elektrodama	mm (palci)	0,5 (0,02)
Prostornina posode za gorivo	cm <sup>3</sup>	300
Število vrtljajev v prostem teku	min <sup>-1</sup>	2800–3200
Izhodna moč pri 9000 min <sup>-1</sup>	kW	1,4
Čas trajanja emisij	h	50
<b>Podatki o hrupu in vibracijah</b>		
Ekvivalentne ravni vibracij, sprednji ročaj $h_{veq}^{116}$	m/s <sup>2</sup>	4,5
Ekvivalentne ravni vibracij, zadnji ročaj $h_{veq}^{117}$	m/s <sup>2</sup>	6,0
Zagotovljena raven hrupa ( $L_{WA}$ ) <sup>118</sup>	dB (A)	116
Izmerjena raven hrupa <sup>119</sup>	dB (A)	110
Raven zvočnega tlaka pri upravljavčevem ušesu <sup>120</sup>	dB (A)	95
<b>Mere izdelka</b>		
Teža (brez rezalne opreme)	kg	4,9
Prostornina posode za olje	cm <sup>3</sup>	200
<b>Sistem za gorivo in mazanje</b>		
Zmogljivost oljne črpalke pri 9000 min <sup>-1</sup>	ml/min	7
Prostornina posode za olje	cm <sup>3</sup>	200
Vrsta oljne črpalke		Samodejna
<b>Veriga in meč</b>		
Standardna dolžina meča	cm (in)	35–40 (14–16)
Priporočena dolžina meča v cm	cm (in)	35-45 (14-18)
Uporabna dolžina reza	cm (in)	34-39 (13.5 -15.5)
Najvišja hitrost verige	m/s	22,3
Korak verige	mm (palci)	8,3 (0,325)
		9,52 (3/8)
Debelina gonilnih členov (šablona)	mm (palci)	1,3 (0,05)

<sup>116</sup> Ekvivalentna raven vibracij v skladu s standardom ISO 22867 se izračuna kot časovno ovrednotena skupna količina energije za ravni vibracij v različnih delovnih pogojih. Zabeleženi podatki za ekvivalentno raven vibracij imajo tipično statistično razpršitev (standardni odklon) 1 m/s<sup>2</sup>.

<sup>117</sup> Ekvivalentna raven vibracij v skladu s standardom ISO 22867 se izračuna kot časovno ovrednotena skupna količina energije za ravni vibracij v različnih delovnih pogojih. Zabeleženi podatki za ekvivalentno raven vibracij imajo tipično statistično razpršitev (standardni odklon) 1 m/s<sup>2</sup>.

<sup>118</sup> Emisije hrupa v okolje, merjene kot moč zvoka ( $L_{WA}$ ).

<sup>119</sup> Emisije hrupa v okolje, merjene kot moč zvoka ( $L_{WA}$ ).

<sup>120</sup> Ekvivalentna raven zvočnega tlaka se izračuna kot časovno ovrednotena skupna količina energije za različne ravni zvočnega tlaka v različnih delovnih pogojih. Tipična statistična razpršitev za ekvivalentno raven zvočnega tlaka je standardni odklon 1 dB (A).

	<b>enota</b>	<b>120 Mark II (P02138HV)</b>
Vrsta pogonskega zobnika		Verižnik
Število zob pogonskega zobnika		6 (pogonskega zobnika 3/8) 7 (pogonskega zobnika 0,325)

## DODATNA OPREMA

### Kombinacije mečev in verig

The cutting attachments below are approved for the product.

Meč				Veriga motorne žage	
Dolžina, cm (palci)	Korak, mm (palci)	Šablona, mm (palci)	Najv. polmer konic meča	Vrsta	Število gonilnih členov
33 (13)	8,25 (0.325)	1,3 (0.050)	10T	Husqvarna H30	56
38 (15)	8,25 (0.325)				64
35 (14)	9,52 (3/8)		7T	Husqvarna H37	52
40 (16)	9,52 (3/8)				56
45 (18)	9,52 (3/8)				62

### Piljenje verige in kombinacije verig

Veriga motorne žage					
Vrsta verige	Velikost okrogle pile	Kot stranske plošče	Kot zgornje plošče	Kot vodila pile	Nastavitev globine reza
H30	3/16 palca/4,8 mm	60°	30°	10°	0,025 palca/0,65 mm
H37	5/32 palca/4,0 mm	60°	30°	0°	0,025 palca/0,65 mm

## VSEBINA IZJAVE ES O SKLADNOSTI

Pri Husqvarna AB, SE 561 82 Huskvarna, ŠVEDSKA, na lastno odgovornost izjavljamo, da je predstavljeni izdelek:

Opis	Bencinska motorna žaga
Znamka	Husqvarna

Opis	Bencinska motorna žaga
Platforma/vrsta/model	Platform P02138HV, representing model 120 Mark II
Serija	Serijska številka od letnika 2018 dalje

so popolnoma skladne z naslednjimi direktivami in uredbami EU:

Direktiva/uredba	Opis
2006/42/ES	o strojih
2014/30/EU	o elektromagnetni združljivosti
2000/14/ES	o zunanjem hrupu

Usklajeni standardi in/ali tehnične specifikacije v veljavi: EN ISO 12100, EN ISO 11681-1, CISPR 12, ISO 14982

V skladu z direktivo 2000/14/ES, priloga V, so določene ravni zvoka navedene v poglavju s tehničnimi podatki v tem priročniku in v podpisani izjavi ES o skladnosti.

TÜV Rheinland LGA Products GmbH, priglašeni organ za stroje (pod številko 0197), Tillystraße 2 – 90431 Nürnberg, Nemčija, je opravil tipski preskus ES v skladu z direktivo 2006/42/ES, člen 12, točka 3b.

Ta certifikat o opravljenem tipskem preskusu, v skladu s prilogo IX, kot je naveden v podpisani izjavi o skladnosti, velja za vse proizvodne lokacije in države porekla, navedene na izdelku.

Ta motorna žaga je izdelana v skladu z vzorcem, na katerem je bil izveden tipski preskus ES.

---

## Sadržaj

---

UVOD.....	359	TRANSPORT.....	369
BEZBEDNOST.....	360	SKLADIŠTENJE.....	369
SKLAPANJE.....	364	TEHNIČKI PODACI.....	369
RUKOVANJE.....	364	OPREMA.....	371
ODRŽAVANJE.....	367	SADRŽAJ EZ DEKLARACIJE O USAGLAŠENOSTI.	372

---

## UVOD

---

### Korisničko uputstvo

Ovo korisničko uputstvo je originalno napisano na engleskom jeziku. Korisnička uputstva na drugim jezicima su prevodi sa engleskog jezika.

### Pregled

(Sl. 1 )

1. Tipska pločica
2. Zaključavanje obarača
3. Prednja ručka
4. Poklopac cilindra
5. Kočnica lanca i prednji štitnik ruke
6. Prigušivač
7. Osloni nazub
8. Lančanik na vrhu mača
9. Štitnik desne ruke
10. Obarač
11. Poklopac lančanika
12. Hvatač lanca
13. Vodilica
14. Lanac
15. Ručica startera
16. Rezervoar za ulje za lanac
17. Deklo magneta (starter)
18. Rezervoar za gorivo
19. Kontrola čoka
20. Zadnja ručka
21. Prekidač za zaustavljanje
22. Zavrtanj za podešavanje praznog hoda
23. Pumpa za gorivo
24. Nalepnica sa informacijama i upozorenjima
25. Zavrtanj za zatezanje lanca
26. Poklopac mača
27. Kombinovani alat
28. Ulje za dvotaktne motore
29. Priručnik za rukovaoca (EPA)

### Simboli na uređaju

(Sl. 2 ) Upozorenje

- (Sl. 3 ) Pročitajte ovo uputstvo
- (Sl. 4 ) Koristite odobrenu zaštitu za glavu, zaštitu za sluh i zaštitu za oči
- (Sl. 5 ) Koristite odobrene zaštitne rukavice
- (Sl. 6 ) Proizvod je usaglašen sa važećim EZ direktivama
- (Sl. 7 ) Nivo snage zvuka
- (Sl. 8 ) Kočnica lanca, neaktivna (levo). Kočnica lanca, aktivirana (desno)
- (Sl. 9 ) Kontrola čoka
- (Sl. 10 ) Pumpa za gorivo
- (Sl. 11 ) Nadopuna goriva
- (Sl. 12 ) Otvor za sipanje ulja za lanac
- (Sl. 13 ) Proizvod je usaglašen sa važećim smernicama EAC
- (Sl. 14 ) Proizvod je usaglašen sa važećim smernicama za Ukrajinu
- (Sl. 15 ) Nivo buke
- (Sl. 16 ) Držite proizvod obema rukama na pravilan način
- (Sl. 17 ) Ne koristite ga jednom rukom
- (Sl. 18 ) Izbegavajte kontakt sa vrhom mača
- (Sl. 19 ) Pazite se povratnog udara
- (Sl. 20 ) Ovaj proizvod je usaglašen sa važećim propisima o elektromagnetnoj kompatibilnosti u Australiji i Novom Zelandu.

**Napomena:** Drugi simboli/oznake na proizvodu odnose se na zahteve za sertifikaciju za ostale komercijalne oblasti.

## Odgovornost za proizvod

Kako je izloženo u zakonima o odgovornosti za proizvode, mi nismo odgovorni za oštećenja prouzrokovana našim proizvodom ako:

- proizvod je popravljen na pogrešan način.
- proizvod je popravljen korišćenjem delova koji nisu napravljeni ili odobreni od strane proizvođača.
- proizvod ima opremu koja ne potiče ili nije odobrena od strane proizvođača.
- proizvod nije popravljen u ovlašćenom servisnom centru ili od strane ovlašćenog stručnjaka.

# BEZBEDNOST

## Bezbednosne definicije

Definicije navedene u nastavku pružaju nivo ozbiljnosti za svaku signalnu reč.



**UPOZORENJE:** Telesne povrede osoba.



**OPREZ:** Oštećenje proizvoda.

**Napomena:** Ove informacije olakšavaju korišćenje proizvoda.

## Opšta bezbednosna uputstva

- Koristite proizvod na ispravan način. Telesna povreda ili smrt su mogući rezultat neispravnog korišćenja. Koristite proizvod samo za zadatke navedene u ovom uputstvu. Nemojte koristiti proizvod za druge zadatke.
- Pročitajte, shvatite i pridržavajte se uputstava u ovom priručniku. Pratite bezbednosne simbole i bezbednosna uputstva. Ako rukovalac ne prati uputstva i simbole, oštećenje, telesna povreda ili smrt su mogući rezultat.
- Nemojte baciti ovo uputstvo. Koristite uputstva kako biste sklopili, rukovali i održavali proizvod u dobrom stanju. Koristite uputstva za ispravno montiranje dodataka i opreme. Koristite isključivo odobrene dodatke i opremu.
- Nemojte koristiti oštećeni proizvod. Pridržavajte se šeme održavanja. Vršite samo one radove održavanja za koje pronađete instrukcije u ovom uputstvu. Ovlašćeni servisni centar mora izvršiti sve druge radove održavanja.
- Ovo uputstvo ne može sadržavati sve situacije koje se mogu pojaviti prilikom korišćenja proizvoda. Budite pažljivi i koristite zdrav razum. Nemojte rukovati proizvodom ili vršiti održavanje ako niste sigurni u pogledu određene situacije. Obratite se stručnjaku za proizvod, prodavcu, servisnom zastupniku ili ovlašćenom servisnom centru kako biste dobili više informacija.

- Iskopčajte kabl svećice pre nego što sklopite proizvod, uskladištite ga ili izvršite održavanje.
- Nemojte koristiti proizvod ako je izmenjen od inicijalnih specifikacija. Nemojte menjati deo na proizvodu bez odobrenja od strane proizvođača. Koristite samo delove koji su odobreni od strane proizvođača. Telesna povreda ili smrt su mogući rezultat nepravilnog održavanja.
- Nemojte udisati isparenja iz motora. Dugotrajno udisanje izduvnih gasova motora, ulja za lance i čestica piljevine predstavlja rizik za zdravlje.
- Nemojte pokretati proizvod u zatvorenom prostoru ili blizu zapaljivih materijala. Izduvni gasovi su vrući i mogu imati varnicu koja može potpaliti požar. Ako nema dovoljnog protoka vazduha, može doći do povrede ili gušenja usled dejstva ugljen-monoksida.
- Ovaj proizvod stvara elektromagnetno polje tokom rada. Elektromagnetno polje može izazvati oštećenje medicinskih implantata. Posavetujte se sa svojim lekarom i proizvođačem medicinskog implantata pre nego što počnete da rukujete ovim proizvodom.
- Nemojte dozvoliti da dete rukuje proizvodom.
- Nemojte dozvoliti da osoba, bez znanja u pogledu uputstava, rukuje proizvodom.
- Uvek nadzirite osobu sa smanjenim fizičkim ili mentalnim sposobnostima koja koristi proizvod. Odgovorna odrasla osoba mora biti prisutna sve vreme.
- Proizvod čuvajte na mestu gde deca i neovlašćene osobe nemaju pristup.
- Proizvod može da izbacuje predmete i tako izazove telesne povrede. Pridržavajte se bezbednosnih uputstava kako biste smanjili rizik od telesne povrede ili smrti.
- Nemojte se udaljavati od proizvoda kada motor radi. Zaustavite motor i uverite se da se lanac ne okreće.
- Rukovalac proizvoda je odgovoran u slučaju ako dođe do nesreće.
- Uverite se da delovi nisu oštećeni pre nego što koristite proizvod.
- Pogledajte nacionalne ili lokalne zakone. Oni mogu sprečavati ili umanjiti načine za rad proizvoda u određenim slučajevima.



## Bezbednosna uputstva za rad

- Kontinuirani ili redovan rad sa proizvodom može da prouzrokuje Rejnoov fenomen ili ekvivalentne medicinske probleme koji proističu iz izloženosti vibracijama. Pregledajte stanje šaka i prstiju ako kontinuirano ili redovno rukujete proizvodom. Ako na vašim šakama ili prstima postoje promene boje, imate bolove, peckanje ili utrnulost u šakama ili prstima, prekinite rad i odmah se obratite lekaru.
- Uverite se da je proizvod u potpunosti sklopljen pre nego što počnete da ga koristite.
- Proizvod može prouzrokovati izbacivanje predmeta što može rezultirati povredom očiju. Uvek koristite odobrenu zaštitu za oči dok koristite proizvod.
- Budite oprezni, dete se može približiti proizvodu bez vašeg znanja tokom rada.
- Nemojte raditi sa proizvodom ako se osobe nalaze u radnom području. Zaustavite proizvod ako osoba uđe u radno područje.

(Sl. 21 )

- Pobrinite se da uvek imate kontrolu nad proizvodom.
- Proizvod mora da se koristi sa obe ruke. Ne koristite proizvod jednom rukom. U slučaju da se proizvodom radi samo jednom rukom, može da dođe do teških povreda rukovaoca, radnika ili osoba u blizini.
- Držite prednju ručku levom rukom a zadnju ručku desnom. Držite proizvod sa desne strane tela.

(Sl. 22 )

- Ne koristite proizvod ako ste umorni, bolesni ili pod uticajem alkohola ili drugih supstanci.
- Nemojte koristiti proizvod ako ne postoji mogućnost da primite pomoć ako dođe do nesreće. Pobrinite se da druge osobe budu svesne da ćete raditi sa proizvodom pre nego što pokrenete proizvod.
- Nemojte se okretati dok držite proizvod pre nego što se uverite da nema osoba ili životinja u bezbednom području.
- Uklonite sav neželjeni materijal iz radnog područja pre početka rada. Ako lanac udari predmet, on može da bude odbačen i da izazove povrede ili oštećenja. Neželjeni materijal može da se namota oko lanca i da izazove oštećenja.
- Ne koristite proizvod po lošem vremenu (magla, kiša, jak vetar, grmljavina i druge vremenske nepogode). Loše vreme može da stvori opasne uslove, kao što je klizava podloga.
- Uverite se da se možete slobodno kretati i raditi u stabilnom položaju.
- Uverite se da nema opasnosti od pada prilikom korišćenja proizvoda. Nemojte se naginjati kada radite sa proizvodom.
- Uvek držite proizvod sa obe ruke. Držite prednju ručku levom rukom a zadnju ručku desnom. Držite proizvod sa desne strane tela.
- Ako je regulator čoka u položaju za čokiranje pri pokretanju motora, lanac će početi da se okreće.
- Zaustavite motor pre nego što pomerite proizvod.

- Nemojte spuštati proizvod kada motor radi.
- Pre uklanjanja neželjenih materijala sa proizvoda, zaustavite motor. Sačekajte da se lanac zaustavi pre nego što vi ili osoba koja vam pomaže u radu uklonite isečeni materijal.
- Ne koristite proizvod ako ste se popeli na drvo. Korišćenje proizvoda dok se nalazite na drvetu može da dovede do telesne povrede.

(Sl. 23 )

- Kočnica lanca mora biti aktivirana kada se proizvod pokreće kako bi se smanjio rizik da vas lanac dodirne prilikom pokretanja.

(Sl. 24 )

- Izbegavajte povratni udar, klizanje, odskakanje i padanje jer to može da dovede do teške povrede.
- Pridržavajte se svih pravila za bezbednost kako biste izbegli povratni udar i druge sile koje mogu dovesti do teške povrede.
- Redovno podešavajte zategnutost lanca testere kako biste osigurali da lanac ne bude labav. Labav lanac testere može da odskoči i izazove teške povrede ili smrt.
- Ne obarajte drveće nepravilnim postupkom. Time možete da povredite druge osobe, da pokidate nadzemne vodove i da oštetite imovinu.
- Rukovalac treba da stoji uzbrdo od drveta, jer oboreno drvo po pravilu klizi ili se kotrlja nizbrdo.

(Sl. 25 )

- Pre nego što počnete sečenje, isplanirajte i raščistite putanju za beg. Putanja za beg treba da se proteže unazad i dijagonalno prema zadnjem delu očekivane linije pada.

(Sl. 26 )

- Uvek zaustavite motor dok premeštate proizvod između drveća.
- Obavezno čvrsto postavite stopala na zemlju i podjednako rasporedite težinu.

(Sl. 27 )

- Uvek održavajte odgovarajući položaj nogu i radite sa proizvodom samo kada stojite na čvrstoj, sigurnoj i ravnoj površini. Klizave ili nestabilne površine kao što su merdevine mogu da dovedu do gubitka ravnoteže ili kontrole.

(Sl. 28 )

### Povratni udari, klizanje, odskakanje i ispuštanje

Na bezbednom upravljanje proizvodom mogu da utiču različite sile.

- **Klizanje** se dešava kada mač klizi ili se brzo pomeri preko drveta.
- **Odiskakanje** se dešava kad mač odskoči od drveta i zatim ga ponovo dotakne više puta.
- **Padanje** se dešava kad proizvod padne posle završetka rezanja. Lanac u pokretu u tim

slučajevima može da dodirne deo tela i druge predmete, što može da izazove nastanak štete ili povrede.

- **Povratni udar** se dešava kad kraj mača dodirne predmet i naglo se odbije unazad, nagore ili ka napred. Povratni udar se dešava i kad drvo uštine lanac testere tokom rezanja. Ako proizvod dodirne predmet u drvetu, može da dođe do gubitka kontrole.

(Sl. 29 )

- **Rotacioni povratni udar** može da se desi kad lanac u pokretu na vrhu mača dodirne predmet. Tako lanac može da se ukopa u predmet i da se istog trena zaustavi. Rezultat je veoma brza povratna reakcija koja pomera mač nagore i unazad u pravcu rukovaoca.

(Sl. 30 )

(Sl. 31 )

- **Povratni udar usled uština** se dešava kad se lanac naglo zaustavi tokom rezanja. Drvo se zatvara i štipa pokretan lanac duž gornje strane mača. Naglo zaustavljanje lanca menja pravac dejstva sile koja pokreće lanac i dovodi do toga da se proizvod pokrene u smeru suprotnom od smera okretanja lanca. Proizvod se pomera unazad u pravcu rukovaoca.

(Sl. 32 )

- **Povlačenje** se dešava kad se lanac u pokretu naglo zaustavi ako dodirne predmet u drvetu duž donjeg dela mača. Naglo zaustavljanje povlači proizvod napred i od rukovaoca, zbog čega rukovalac lako može da izgubi kontrolu nad proizvodom.

(Sl. 33 )

Uverite se da razumete razne sile i način da sprečite njihov nastanak pre korišćenja proizvoda.

## Da biste sprečili povratne udare, povlačenje, odskakanje i padanje

- Čvrsto držite proizvod dok motor radi. Držite zadnju ruku desnom rukom a prednju levom. Čvrsto stisnite ruku svim prstima. Ne slabite stisak.
- Zadržite kontrolu nad proizvodom i tokom rezanja i kad drvo padne na zemlju. Ne dozvolite da proizvod padne usled svoje težine na kraju reza. (Sl. 34 )
- Uverite se da nema prepreka u prostoru u kojem režete. Ne dozvolite da vrh mača dotakne deblo, granu ili druge prepreke dok radite sa proizvodom.
- Režite na velikoj brzini obrtaja motora.
- Ne režite daleko ispruženih ruku i ne režite iznad visine ramena. (Sl. 35 )
- Pridržavajte se uputstava proizvođača u pogledu oštrenja i održavanja lanca.
- Koristite samo rezervne mačeve i lance koje je naveo proizvođač.
- Ako je postavka graničnika dubine suviše velika, rizik od povratnog udara se povećava.

## Lična zaštitna oprema

- Uvek koristite odgovarajuću ličnu zaštitnu opremu dok koristite proizvod. Lična zaštitna oprema ne poništava rizik od telesne povrede. Lična zaštitna oprema umanjuje stepen telesne povrede u slučajevima pojave nesreće.
- Uopšte uzetv, odeća ne treba da bude komotna, ali ni da vam sputava pokretljivost.
- Koristite odobrenu zaštitnu kacigu.
- Uvek koristite odobrenu zaštitu za uši tokom rada sa proizvodom. Dugotrajna buka može da ošteti sluh.
- Koristite zaštitne naočare ili vizir za lice da biste smanjili opasnost od povrede izbačenim predmetima. Proizvod može velikom snagom da odbaci predmete kao što su drveni piljci, manji komadi drveta itd. Ovo može da izazove ozbiljne povrede, naročito povrede očiju.
- Koristite rukavice sa zaštitom od lanaca motornih testera.
- Nosite pantalone sa zaštitom od lanaca motornih testera.
- Nosite obuću sa zaštitom od lanaca motornih testera, čeličnim štitnikom za prste i nekližućim đonom.
- Vodite računa da vam u blizini bude komplet za prvu pomoć.
- Iz prigušivača, mača i lanca, kao i iz drugih izvora, mogu da iskaču varnice. Uvek nosite protivpožarne uređaje i lopatu, da biste sprečili nastanak šumskih požara.

## Zaštitni uređaji na proizvodu

- Pobrinite se da redovno vršite održavanje proizvoda.
  - Time se produžava radni vek proizvoda.
  - Time se smanjuje rizik od nesreća.

Neka ovlašćeni prodavac ili ovlašćeni servisni centar redovno pregledaju proizvod kako bi izvršili podešavanja ili popravke.

- Nemojte koristiti proizvod na kojem je oštećena zaštitna oprema. Ako je proizvod oštećen, obratite se ovlašćenom servisnom centru.

## Prekidač za zaustavljanje

Pokrenite motor. Uverite se da se motor zaustavio nakon što ste pomerili prekidač za zaustavljanje u položaj za zaustavljanje.

## Pregled zaključavanja obarača gasa

1. Uverite se da je obarač (B) zaključan u položaju praznog hoda kad otpustite zaključavanje obarača gasa (A). (Sl. 36 )
2. Pritisnite zaključavanje obarača (A) i uverite se da se vraća u početni položaj kad ga otpustite.
3. Pritisnite obarač (B) i uverite se da se vraća u početni položaj kad ga otpustite.

4. Pokrenite motor i dajte pun gas.
5. Otpustite obarač i proverite da li se lanac zaustavlja.
6. Ako se lanac okreće kad motor radi u praznom hodu, proverite zavrtanj za podešavanje praznog hoda na karburatoru.

### Štitnik

Štitnik sprečava da predmeti budu izbačeni u smeru rukovaoca. Štitnik takođe sprečava slučajan kontakt između rukovaoca i lanca.

- Uverite se da kombinacija štitnik-proizvod odgovara za rad.
- Nemojte koristiti proizvod bez štitnika.
- Uverite se da štitnik nije oštećen. Zamenite pohaban ili naprsao štitnik.

### Bezbednost oko goriva

- Nemojte pokretati proizvod ako na njemu postoje tragovi goriva ili motornog ulja. Uklonite neželjeno gorivo/ulje i sačekajte da se proizvod osuši. Uklonite neželjeno gorivo sa proizvoda.
- Ako prospete gorivo na odeću, odmah je presvucite.
- Nemojte dozvoliti da gorivo dospe na vaše telo, ono može izazvati telesnu povredu. Ako gorivo dospe na vaše telo, uklonite ga pomoću sapuna i vode.
- Nemojte pokretati motor ako prospete ulje ili gorivo na proizvod ili vaše telo.
- Nemojte pokretati proizvod ako postoji curenje iz motora. Redovno proveravajte da li postoji curenje iz motora.
- Budite oprezni pri rukovanju gorivom. Gorivo je zapaljivo a isparenja su eksplozivna i mogu izazvati telesne povrede ili smrt.
- Nemojte udisati isparenja goriva, to može izazvati telesnu povredu. Pobrinite se da ima dovoljno protoka vazduha.
- Nemojte pušiti u blizini goriva ili motora.
- Nemojte stavljati vruće predmete blizu goriva ili motora.
- Nemojte dolivati gorivo kada motor radi.
- Uverite se da je motor hladan pre dopunjavanja goriva.
- Pre dopunjavanja goriva, lagano otvorite poklopac rezervoara za gorivo i pažljivo otpustite pritisak.
- Nemojte dolivati gorivo u motor u zatvorenom prostoru. Nedovoljan protok vazduha može izazvati telesnu povredu ili smrt usled gušenja ili prisustva ugljen-monoksida.
- Pažljivo zategnite poklopac rezervoara za gorivo ili može doći do požara.
- Pomerite proizvod najmanje 3 m (10 stopa) od položaja gde ste punili rezervoar pre pokretanja.
- Nemojte sipati previše goriva u rezervoar za gorivo.

- Pobrinite se da ne može doći do curenja kada pomerite proizvod ili kantu za gorivo.
- Nemojte stavljati proizvod ili kantu za gorivo na mesto gde postoji otvoreni plamen, varnice ili pilot gorionik. Uverite se da u skladišnom prostoru nema otvorenog plamena.
- Koristite samo odobrene kante za gorivo prilikom prenošenja ili skladištenja goriva.
- Ispraznite rezervoar za gorivo pre dugotrajnog skladištenja. Pridržavajte se lokalnog zakona u pogledu mesta odlaganja goriva.
- Očistite proizvod pre dugotrajnog skladištenja.
- Skinite kabl svećice pre skladištenja proizvoda kako biste osigurali da se motor ne može slučajno pokrenuti.

### Bezbednosna uputstva za održavanje

- Odvojte svećicu pre održavanja proizvoda, osim ako ne podešavate karburator.
- Svo servisiranje proizvoda treba da vrši ovlašćeni prodavac, osim poslova koji se tiču *ODRŽAVANJE na stranici 367*.
- Uverite se da se lanac zaustavlja kada pustite obarač gasa.
- Drške bi trebalo da budu suve, čiste, bez ostataka ulja i mešavine.
- Poklopci i pričvršćivači moraju da budu pravilno pritegnuti.
- Neodobreni rezervni delovi i uklanjanje bezbednosnih uređaja mogu da oštete proizvod. To može da izazove i povređivanje rukovaoca ili osoba u blizini. Koristite samo preporučene dodatke i rezervne delove. Ne vršite izmene na proizvodu.
- Lanac bi trebalo da bude oštar i čist da bi imao dobre radne karakteristike i bio bezbedan za rad.
- Pridržavajte se uputstava za podmazivanje i zamenu dodatka.
- Pregledajte ima li na proizvodu oštećenih delova. Pre daljeg korišćenja proizvoda bi trebalo da se uverite da oštećeni štitnik ili deo ispravno radi. Pregledajte ima li slomljenih ili nepravilno poravnatih delova i delova koji ne mogu da se slobodno kreću. Pregledajte i druge stvari koje mogu da utiču na rad proizvoda. Proverite da li je proizvod pravilno sastavljen. Potrebno je da ovlašćeni prodavac popravi ili zameni štitnik ili oštećeni deo, osim ako u priručniku za rukovaoca nije drugačije navedeno.
- Kad ga ne koristite, čuvajte proizvod na suvom, visokom ili zaključanom mestu van domašaja dece.
- Tokom transporta ili skladištenja proizvoda, koristite poklopac mača ili kutiju za pomeranje proizvoda.
- Ne koristite zamenjeno ulje. Zamenjeno ulje može da bude opasno po zdravlje i da ošteti proizvod i zagadi okolinu.

## SKLAPANJE



**UPOZORENJE:** Pre sklapanja proizvoda je potrebno da pročitate i razumete poglavlje o bezbednosti.

### Sklapanje mača i lanca testere

1. Pomerite prednji štitnik ruke u pravcu prednje ručke da biste deaktivirali kočnicu lanca.
2. Okrenite dugme ka spolja u otvoreni položaj. (Sl. 37)
3. Okrenite dugme suprotno kretanju kazaljke na satu da biste oslobodili poklopac mača. (Sl. 38)
4. Uklonite dugme (A) i poklopac lančanika. Uklonite štitnik za transportovanje, ako je postavljen. (Sl. 39)
5. Stavite mač iznad vijaka mača. Navucite mač u krajnji zadnji položaj. Podignite lanac iznad pogonskog lančanika i postavite ga u žleb na maču. Počnite od gornje ivice mača. (Sl. 40)
6. Uverite se da su ivice reznih karika na gornjem delu mača okrenute ka napred.
7. Vratite poklopac lančanika na mesto i postavite iglicu zatezača lanca u otvor u maču. Uverite se da pogonske karike lanca pravilno naležu na pogonski lančanik. Uverite se i da lanac pravilno naleže na žleb u maču. (Sl. 41)
8. Zatežite lanac okretanjem točkića nadole (+). Pritežite lanac dok ne prestane da visi ispod dna mača. (Sl. 42)

9. Lanac je pravilno zategnut kada prestane da visi ispod dna mača, ali ga možete lako okretati rukom.
10. Uspravite vrh mača i okrenite dugme u pravcu kazaljke na satu da biste zategnuli. (Sl. 43)

- Često proveravajte zategnutost lanca kad postavite nov lanac, dok se ne razradi.
- Redovno proveravajte zategnutost lanca. Pravilna zategnutost lanca obezbeđuje dobre radne karakteristike i dugotrajnost.

### Resetovanje kočnice lanca

Ako je poklopac kvačila slučajno uklonjen dok je kočnica lanca aktivirana, kočnica lanca mora biti otpuštena tako da poklopac kvačila može biti stavljen bez spajanja na doboš kvačila.



**OPREZ:** Opruga kočnice lanca je pod pritiskom. Pažljivo ponovo postavite kočnicu lanca.

**Napomena:** Nemojte držati kaiš kočnice dok pokušavate da resetujete kočnicu.

1. Poravnajte zarez na mehanizmu vodilice tako da pristaje preko rotirajuće karike kočnice. (Sl. 44)
2. Da biste ponovo postavili kočnicu, okrenite kariku u pravcu kazaljke na satu dok se ne zaustavi. Prednja karika će biti u obrtnom položaju nadole kada je kočnica lanca otpuštena. (Sl. 45) (Sl. 46)

## RUKOVANJE



**UPOZORENJE:** Pročitajte i shvatite poglavlje o bezbednosti pre rada sa proizvodom.

### Korišćenje goriva



**OPREZ:** Ovaj proizvod ima dvotaktni motor. Koristite mešavinu benzina i ulja za dvotaktni motor. Pobrinite se da koristite ispravnu količinu ulja u mešavini. Nepravilna razmera benzina i ulja može prouzrokovati oštećenje motora.

### Odnos mešavine

Odnos mešavine benzina i ulja za dvotaktne motore je 50:1 (2%)

Benzin	Ulje za dvotaktni motor
1 američki galon.	77 ml (2,6 oz)

Benzin	Ulje za dvotaktni motor
1 britanski galon.	95 ml (3,2 oz)
5 l	100 ml (3,4 oz)

### Pravljenje mešavine goriva

1. Odredite odgovarajuće količine benzina i ulja za dvotaktne motore (odnos mešavine 50:1). Nemojte praviti zalihe mešavine goriva veće od količine potrebne za 30 dana rada. Pogledajte *Korišćenje goriva na stranici 364*.
2. Dodajte polovinu količine goriva u čist sud za gorivo sa ventilom koji sprečava prosipanje.



**OPREZ:** Nemojte koristiti benzin sa više od 10% koncentracije etanola (E10). To može prouzrokovati oštećenje proizvoda.



**OPREZ:** Nemojte koristiti benzin sa oktanskim brojem manjim od 90 RON (87 AKI). To može prouzrokovati oštećenje proizvoda.

**Napomena:** Koristite benzin sa višim oktanskim brojem ako često koristite proizvod pri kontinuirano visokoj brzini motora.

3. Dodajte celu količinu ulja za dvotaktne motore u sud za gorivo.



**OPREZ:** Uvek koristite kvalitetno ulje za vazdušno hladene dvotaktne motore. Druga ulja mogu da oštete proizvod.

4. Promućkajte mešavinu goriva kako bi se sadržaj izmešao.
5. Dodajte preostalu količinu goriva u sud za gorivo.
6. Promućkajte mešavinu goriva kako bi se sadržaj izmešao.
7. Napunite rezervoar za gorivo na proizvodu mešavinom. Pogledajte *Korišćenje goriva na stranici 364*.

## Punjenje rezervoara za gorivo

1. Uverite se da je mešavina u dobrom odnosu i da je držite u sudu za gorivo sa ventilom koji sprečava prosipanje.
2. Ako se u sudu već nalazi gorivo, uklonite je i sačekajte da se sud osuši.
3. Uverite se da je područje oko poklopca rezervoara za gorivo čisto.
4. Uklonite poklopac rezervoara za gorivo.
5. Promućkajte kantu za gorivo pre dolivanja mešavine goriva u rezervoar za gorivo.
6. Vratite poklopac rezervoara za gorivo na mesto.

## Podmazivanje lanca

Proizvod ima automatski sistem za podmazivanje. Rezervoar za ulje za lanac i rezervoar za gorivo su dizajnirani tako da će testera potrošiti gorivo pre nego što potroši ulje za lanac. Ova bezbednosna karakteristika zahteva da se koristi ispravno ulje za lanac i da se poštuju uputstva.

1. Koristite ulje za lanac biljnog porekla ili standardno ulje za lanac.
2. Uverite se da je prostor oko poklopca rezervoara ulja za lanac čist.
3. Uklonite poklopac sa rezervoara ulja za lanac.
4. Napunite rezervoar ulja za lanac preporučenim uljem za lanac.
5. Vratite poklopac na rezervoar ulja za lanac.

## Pokretanje i zaustavljanje

### Pre pokretanja motora

- Pregledajte proizvod kako biste se uverili da nema nedostajućih, oštećenih, labavih ili pohabanih delova.
- Pregledajte navrtke, zavrtnje i vijke.
- Pregledajte filter za vazduh.
- Proverite da li zaključavanje obarača i obarač pravilno rade.
- Pregledajte prekidač za zaustavljanje kako biste se uverili da ispravno radi.
- Proverite da li ima curenja goriva iz proizvoda.
- Proverite naoštrenost i zategnutost lanca.

### Pokretanje hladnog motora

1. Pomerite prednji štitnik ruke ka napred da biste aktivirali kočnicu lanca. (Sl. 47 )
2. Pritisnite pumpu za gorivo 6 puta. (Sl. 48 )
3. Pomerite kontrolu čoka u položaj punog čoka. (Sl. 49 )
4. Držite proizvod na tlu levom rukom. Postavite desno stopalo u zadnju ručku kako biste stabilizovali motornu testeru. Lagano povucite ručicu užeta startera dok ne osetite otpor. Zatim snažno povucite ručicu užeta startera 5 puta. (Sl. 50 )

**Napomena:** Ne pritiskajte obarač tokom pokretanja motora.

5. Pomerite kontrolu čoka u položaj bez čoka.
6. Povlačite ručicu užeta startera sve dok se motor ne pokrene. Sačekajte da prođe 60 sekundi od pokretanja pre nego što pritisnete obarač.



**OPREZ:** Nemojte povlačiti užu startera dok se ne zaustavi. Nemojte puštati užu startera kada je potpuno izvučeno. Lagano otpustite užu startera. Pridržavajte se ovih uputstava da biste sprečili oštećenje motora.

7. Povucite prednji štitnik ruke u pravcu prednje ručke, da biste deaktivirali kočnicu lanca.
8. Držite prednju dršku levom rukom a zadnju dršku desnom.
9. Koristite proizvod.

### Pokretanje toplog motora

1. Pomerite prednji štitnik ruke ka napred da biste aktivirali kočnicu lanca.
2. Pritisnite pumpu za gorivo 6 puta.
3. Pomerite kontrolu čoka u položaj punog čoka.
4. Pomerite kontrolu čoka u položaj bez čoka.
5. Držite proizvod na tlu levom rukom. Postavite desno stopalo u zadnju ručku kako biste stabilizovali motornu testeru. Lagano povucite ručicu užeta

startera dok ne osetite otpor. Zatim snažno povlačite ručicu užeta startera dok se motor ne pokrene. (Sl. 51 )

**Napomena:** Ne pritiskajte obarač tokom pokretanja motora.



**OPREZ:** Nemojte povlačiti užu startera dok se ne zaustavi. Nemojte puštati užu startera kada je potpuno izvučeno. Lagano otpustite užu startera. Pridrživajte se ovih uputstava da biste sprečili oštećenje motora.

6. Povucite prednji štitnik ruke u pravcu prednje ručke, da biste deaktivirali kočnicu lanca.
7. Držite prednju dršku levom rukom a zadnju dršku desnom.
8. Koristite proizvod.

### Pokretanje motora sa pretoplim gorivom

Ako se proizvod ne pokrene, možda je gorivo pregrejano.

**Napomena:** Uvek koristite novo gorivo i radite kraće po toplom vremenu.

1. Stavite proizvod na hladno mesto dalje od direktnog sunčevog svetla.
2. Sačekajte bar 20 minuta da se proizvod ohladi.
3. Pritisčajte pumpicu goriva 10-15 sekundi.
4. Pratite postupak pokretanja hladnog motora. Pogledajte *Pokretanje hladnog motora na stranici 365*.

### Zaustavljanje motora

- Pritisnite prekidač za zaustavljanje da biste zaustavili motor.

**Napomena:** Prekidač za zaustavljanje se automatski vraća u početni položaj.

### Korišćenje oslonog nazuba

Osloni nazub sprečava povratni udar i pridržava drvo dok režete. Telo motora i mač se okreću oko oslonog nazuba.

1. Postavite donji kraj oslonog nazuba tako da dobijete odgovarajuću širinu šarke.
2. Levom rukom pritisnite prednju ručicu a desnom podižite zadnju.
3. Režite dok ne dobijete odgovarajuću širinu brade.

**Napomena:** Širina brade mora da bude ujednačena.

4. Izrežite stablo preko polovine prečnika i onda stavite klin za obaranje u rez.

### Obaranje stabla

1. Uklonite prljavštinu, kamenje, odvojenu koru, žicu i spone sa stabla.
2. Napravite urez do 1/3 prečnika stabla, pod pravim uglom u odnosu na pravac pada drveta.(Sl. 52 )
3. Napravite donji horizontalni urez. Time će se sprečiti uštinuće lanca ili mača kada se pravi drugi urez.
4. Neka obarajući urez (X) bude barem 50 mm (2 in) iznad horizontalnog ureza. Obarajući urez treba da bude paralelan sa horizontalnim urezom, tako da ostane dovoljno drveta da posluži kao brada. Ne režite kroz bradu. Drvo u bradi sprečava da se stablo uvrne i padne u neželjenom pravcu.(Sl. 53 )(Sl. 54 )
5. Stablo počinje da pada kad se obarajući urez približi bradi. Uverite se da stablo može da padne u odgovarajućem pravcu a ne da se zaljulja unazad i uštine lanac. Da biste to sprečili, zaustavite rezanje pre nego što završite obarajući urez. Koristite drvene, plastične ili aluminijumske klinove da biste otvorili rez i omogućili drvetu da padne duž odgovarajuće linije pada.(Sl. 55 )
6. Kada drvo počne da pada, uklonite proizvod iz reza, zaustavite motor, spustite proizvod a zatim koristite planiranu stazu za povlačenje. Pazite na grane koje vam padaju iznad glave i vodite računa o položaju nogu.(Sl. 56 )

### Odsecanje grana

1. Odignite stablo sa tla većim granama.
2. Odrežite manje grane jednim rezom.(Sl. 57 )
3. Odrežite napete grane odozdo nagore, da biste sprečili uštinuće lanca ili mača.

### Rezanje stabla na trupce



**OPREZ:** Ne dozvolite da lanac testere udara o tlo.

- Ako se stablo oslanja celom dužinom, režite od gornjeg dela stabla (nadole).(Sl. 58 )
- Ako je stablo oslonjeno na jednom kraju, izrežite 1/3 prečnika od donjeg dela stabla (nagore).(Sl. 59 )
- Ako je stablo oslonjeno na oba kraja, izrežite 1/3 prečnika sa vrha. Završite rez tako što ćete izrezati 2/3 stabla nagore tako da dodirnete prvi rez.(Sl. 60 )
- Ako režete trupce na padini, uvek stojte iznad stabla. Režite trupce dok istovremeno održavate potpunu kontrolu nad proizvodom, zatim otpustite pritisak rezanja blizu kraja reza dok istovremeno čvrsto držite zadnju ručku i prednju ručku.(Sl. 61 )



**UPOZORENJE:** Pročitajte i shvatite poglavlje o bezbednosti pre čišćenja, popravke ili održavanja proizvoda.

## Šema održavanja

Pobrinite se da se pridržavate šeme održavanja. Intervali su izračunati na osnovu svakodnevnog korišćenja proizvoda. Intervali su različiti ako ne koristite proizvod svakog dana. Vršite samo one radove održavanja koji se mogu pronaći u ovom uputstvu. Obratite se ovlašćenom servisnom centru u pogledu drugih radova održavanja koji nisu navedeni u ovom uputstvu.

## Svakodnevno održavanje

- Očistite spoljne površine.
- Uverite se da obarač i zaključavanje obarača pravilno rade.
- Očistite kočnicu lanca i uverite se da pravilno radi.

(Sl. 62 )

- Pregledajte da li je hvatač lanca oštećen. Zamenite hvatač lanca ako je oštećen.

(Sl. 63 )

- Svakodnevno rotirajte mač radi ujednačenog habanja.
- Uverite se da otvor za podmazivanje u maču nije zapušten.

(Sl. 64 )

- Očistite žleb mača.

(Sl. 65 )

- Uverite se da mač i lanac dobijaju dovoljno ulja.
- Pregledajte:
  - ima li na lancu pukotina u zakivcima i karikama.
  - ima li na lancu prekomerno pohabanih zakivaka i karika.
  - da li je lanac pravilno zategnut.

Ako je potrebno, zamenite lanac.

- Naoštrite lanac. Pogledajte *Oštrenje lanca na stranici 368*.
- Pregledajte pogonski lančanik u pogledu prekomernog habanja i zamenite ga po potrebi.

(Sl. 66 )

- Očistite usisnik vazduha na starteru.
- Uverite se da su vijci i matice pritegnuti.
- Uverite se da prekidač za zaustavljanje pravilno radi.
- Proverite da li gorivo curi iz motora, rezervoara i vodova za gorivo.
- Uverite se da se lanac ne okreće kad je motor u brzini praznog hoda.

## Nedeljno održavanje

- Uverite se da sistem za hlađenje pravilno radi.
- Uverite se da starter, uže startera i opruga za namotavanje pravilno rade.
- Uverite se da elementi za prigušivanje vibracija nisu oštećeni.

(Sl. 67 )

- Oturpijajte sve brazgotine sa ivica mača.
- Očistite ili zamenite mrežicu hvatača varnica na prigušivaču.

(Sl. 68 )

- Očistite spoljne površine karburatora i okolnog područja.
- Očistite filter za vazduh. Postavite novi filter za vazduh ako je oštećen ili previše prljav da bi se mogao propisno očistiti. Pogledajte *Čišćenje filtera za vazduh na stranici 368* za više informacija.

## Mesečno održavanje

- Pregledajte da li je kočiona traka kočnice lanca pohabana. Zamenite je kad debljina kočione trake bude manja od 0,6 mm (0,024 in) na najpohabanim delu.

(Sl. 69 )

- Pregledajte da li su centar, čaura i opruga kvačila pohabani.
- Očistite svećicu. Uverite se da je zazor između elektroda odgovarajući.

(Sl. 70 )

- Očistite spoljne površine karburatora i okolnog područja.
- Pregledajte filter goriva i crevo za gorivo. Zamenite po potrebi.
- Ispraznite rezervoar za gorivo.
- Ispraznite rezervoar za ulje.
- Pregledajte sve kablove i veze.

## Godišnje održavanje

- Pregledajte svećicu.
- Očistite spoljne površine karburatora i okolnog područja.
- Očistite sistem za hlađenje.
- Pregledajte hvatač varnica.
- Pregledajte filter za gorivo.
- Pregledajte da li postoji oštećenje na crevu za gorivo.
- Pregledajte sve kablove i veze.

## Povremeno održavanje

- Neka ovlašćeni servisni centar popravi ili zameni auspuh posle 50 sati rada.
- Održavanje ekrana za hvatanje varnica je potrebno u sledećim slučajevima:
  - snaga motora je mala.
  - motor se teško pokreće.
  - motor ne radi ravnomerno na brzini praznog hoda.
- Proverite sistem za podmazivanje lanca pri svakom dopisanju goriva. Pogledajte *Da biste proverili podmazanost lanca na stranici 369.*

## Podešavanje brzine praznog hoda

Uverite se da je filter za vazduh čist i da je poklopac filtera za vazduh pričvršćen pre podešavanja brzine praznog hoda.

1. Okrećite zavrtanj za podešavanje praznog hoda, označen oznakom „T“ udesno sve dok lanac ne počne da se okreće.
2. Okrećite zavrtanj za podešavanje praznog hoda, označen oznakom „T“ ulevo sve dok se lanac ne zaustavi.
3. Brzina praznog hoda mora da bude manja od brzine pri kojoj lanac počinje da se okreće. Brzina praznog hoda je ispravna kada motor ravnomerno radi u svim položajima.

## Čišćenje mrežice hvatača varnica

1. Očistite hvatač varnica pomoću žičane četke.

## Održavanje svećice



**OPREZ:** Koristite preporučenu svećicu. Pobrinite se da je zamenjena svećica istog tipa kao ona isporučena od proizvođača. Neodgovarajuća svećica može izazvati oštećenje proizvoda.

1. Ako se proizvod teško pokreće i loše radi, proverite da li je svećica zaprljana. Da biste smanjili rizik od gomilanja neželjenog materijala na elektrodama svećice:
  - a) uverite se da je brzina praznog hoda pravilno podešena.
  - b) uverite se da je mešavina goriva ispravna.
  - c) uverite se da je filter za vazduh čist.
2. Očistite svećicu ako je zaprljana. Uverite se da je zazor između elektroda odgovarajući. (Sl. 71 )
3. Zamenite svećicu po potrebi.

## Čišćenje filtera za vazduh

1. Skinite poklopac filtera za vazduh i uklonite filter za vazduh.

2. Očistite filter za vazduh toplom sapunjavom vodom. Uverite se da je filter za vazduh suv pre nego što ga ponovo postavite.
3. Zamenite filter za vazduh ako je previše zaprljan i ne može se propisno očistiti. Uvek zamenite oštećeni filter za vazduh.

## Oštrenje lanca

### Rezač

Rezni deo lanca se naziva rezač i sastoji se od reznog zuba (A) i graničnika dubine (B). Dubina rezanja rezača određuje se razlikom u visini između ova dva dela, postavkom graničnika dubine (C).

(Sl. 72 )

Postoje četiri važna faktora koja treba imati na umu prilikom oštrenja reznog zuba:

- Ugao turpijanja. (Sl. 73 )
- Ugao rezanja. (Sl. 74 )
- Položaj turpije. (Sl. 75 )
- Prečnik okrugle turpije. (Sl. 76 )

### Oštrenje reznih zuba

Koristite okruglu i poluokruglu turpiju za oštrenje reznih zuba. Pogledajte *Turpijanje lanca motorne testere i kombinacije lanca motorne testere na stranici 371* za informacije o preporučenim dimenzijama turpija za lanac koji koristite na proizvodu.

1. Uverite se da je lanac pravilno zategnut. Labav lanac je nestabilan u bočnom položaju što otežava propisno oštrenje.
2. Prvo isturpijajte sve zube sa jedne strane. Isturpijajte rezne zube sa unutrašnje strane i smanjite pritisak pri povlačenju turpije unazad.
3. Okrenite proizvod i isturpijajte zube na drugoj strani.
4. Isturpijajte sve zube na istu dužinu. Kada dužina reznih zuba spadne na 4 mm (5/32") lanac je pohaban i mora se zameniti. (Sl. 77 )

### Podešavanje graničnika dubine

Naoštrite rezne zube pre podešavanja postavke graničnika dubine. Pogledajte *Oštrenje reznih zuba na stranici 368*. Kada oštrite rezni zub (A), postavka graničnika dubine (C) će se smanjiti. Kako biste održali optimalne performanse u rezanju, graničnik dubine (B) mora biti isturpijan kako bi se postigla preporučena postavka graničnika dubine. Odgovarajuću postavku graničnika dubine za vaš lanac možete da nađete na *Turpijanje lanca motorne testere i kombinacije lanca motorne testere na stranici 371*. (Sl. 78 )



**Napomena:** Ova preporuka podrazumeva da dužina reznih zuba nije previše smanjena.

Podešavanje graničnika dubine vršite ravnom turpijom i alatom za podešavanje graničnika dubine.

1. Stavite alat za podešavanje graničnika dubine iznad lanca. Detaljne informacije o upotrebi alata za podešavanje graničnika dubine možete pronaći na pakovanju alata za podešavanje graničnika dubine.
2. Upotrebite pljosnату turpiju kako biste isturpili višak isturenog dela rezne ivice. Postigli ste ispravan razmak reznog alata ukoliko više ne osećate nikakav otpor kada prevlačite turpiju preko merača.

## Zatezanje lanca

**Napomena:** Tokom perioda razrade često proveravajte zategnutost novog lanca.

1. Otpustite navrtke mača koje drže poklopac lančanika. Upotrebite kombinovani ključ. (Sl. 80 )
2. Rukom pritegnite navrtke mača što jače možete.
3. Podignite gornji deo mača i produžite lanac tako što ćete pritegnuti zavrtanj za pritezanje lanca. Upotrebite kombinovani ključ. Pritežite lanac dok ne prestane da visi sa dna mača. (Sl. 81 )

4. Pritežite navrtke mača kombinovanim ključem i istovremeno podignite vrh mača. (Sl. 82 )
5. Uverite se da možete da lako povučete lanac rukom i da ne visi. (Sl. 83 )

## Podmazivanje opreme za rezanje

### Da biste proverili podmazanost lanca

Proverite sistem za podmazivanje lanca pri svakom dosipanju goriva.

1. Pokrenite proizvod u pustite ga da radi na 3/4 brzine. Usmerite nos mača ka svetloj površini udaljenoj oko 20 cm (8 in).
2. Na svetloj površini će se posle 1 minut rada pojaviti crta od ulja.
3. Ako posle 1 minut ne vidite crtu od ulja, očistite kanal za ulje u maču. Očistite žleb u ivici mača. Uverite se da se nosni lančanik mača slobodno okreće i da otvor za podmazivanje nije zapušen. Očistite i podmažite lančanik na vrhu.
4. Pokrenite proizvod u pustite ga da radi na 3/4 brzine. Usmerite nos mača ka svetloj površini udaljenoj oko 20 cm (8 in).
5. Na svetloj površini će se posle 1 minut rada pojaviti crta od ulja.
6. Ako posle 1 minut ne vidite crtu od ulja, obratite se ovlašćenom prodavcu.

## TRANSPORT

- Ispraznite rezervoare za gorivo i ulje za lanac pre transporta. Odbacite iskorišćene tečnosti na pravilan način.
- Stavite poklopac mača na nastavak za rezanje prilikom transporta. Time se sprečava da neko slučajno dodirne oštar lanac. I lanac motorne testere koji nije u pokretu može da povredi ako se dodirne.
- Uklonite kapicu sa svećice i aktivirajte kočnicu lanca pre transporta.
- Uverite se da proizvod ne može da se pomera tokom transporta.

## SKLADIŠTENJE

- Uvek bezbedno odložite proizvod koji se ne koristi. Curenja i isparenja iz proizvoda mogu da dođu u dodir sa varnicama, otvorenim plamenom iz električne opreme, električnim kosačicama, relejima/prekidačima, bojljerima i dr.
- Uvek čuvajte gorivo u odobrenom sudu.
- Ispraznite rezervoare za gorivo i ulje za lanac kad skladištite proizvod na duže. Odbacite iskorišćene tečnosti na pravilan način.
- Stavite poklopac mača na mač tokom skladištenja. Time se sprečava da neko slučajno dodirne oštar lanac. I lanac motorne testere koji nije u pokretu može da povredi ako se dodirne.
- Uklonite kapicu sa svećice i aktivirajte kočnicu lanca pre odlaganja.

## TEHNIČKI PODACI

	jedinica	120 Mark II (P02138HV)
Specifikacije motora		

	<b>jedinica</b>	<b>120 Mark II (P02138HV)</b>
Pomeranje cilindra	cm <sup>3</sup>	38
Svećica		Champion RCJ7Y
Razmak elektroda	mm (in)	0,5 (0,02)
Zapremina rezervoara za gorivo	cm <sup>3</sup>	300
Brzina praznog hoda	min <sup>-1</sup>	2800–3200
Izlazna snaga na 9000 min <sup>-1</sup>	kW	1,4
Period trajnosti emisija	h	50
<b>Podaci o buci i vibracijama</b>		
Ekvivalentni nivoi vibracija, a <sub>hveq</sub> prednja ručka <sup>121</sup>	m/s <sup>2</sup>	4,5
Ekvivalentni nivoi vibracija, a <sub>hveq</sub> zadnja ručka <sup>122</sup>	m/s <sup>2</sup>	6,0
Garantovani nivo jačine zvuka (L <sub>WA</sub> ) <sup>123</sup>	dB(A)	116
Nivo snage zvuka, izmeren <sup>124</sup>	dB(A)	110
Nivo pritiska zvuka u uhu rukovaoca <sup>125</sup>	dB(A)	95
<b>Dimenzije proizvoda</b>		
Težina (bez opreme za košenje)	kg	4,9
Zapremina rezervoara za ulje	cm <sup>3</sup>	200
<b>Sistem za gorivo i podmazivanje</b>		
Kapacitet pumpe za ulje pri 9000 min <sup>-1</sup>	ml/min	7
Zapremina rezervoara za ulje	cm <sup>3</sup>	200
Tip pumpe		Automatski
<b>Lanac testere i mač</b>		
Standardna dužina mača	cm (in)	35–40 (14–16)
Preporučene dužine vodilice	cm (in)	35–45 (14–18)
Upotreblijive dužine sečenja	cm (in)	34 – 39 (13,5 – 15,5)
Maksimalna brzina lanca	m/s	22,3
Korak zuba lanca	mm (in)	8,3 (0,325)
		9,52 (3/8)

<sup>121</sup> Ekvivalentni nivo vibracija, prema ISO standardu 22867, računa se kao ukupna energija u odnosu na vreme za nivoje vibracija pod različitim radnim uslovima. Podaci iz izveštaja za ekvivalentni nivo vibracija imaju tipičnu statističku disperziju (standardno odstupanje) od 1 m/s<sup>2</sup>.

<sup>122</sup> Ekvivalentni nivo vibracija, prema ISO standardu 22867, računa se kao ukupna energija u odnosu na vreme za nivoje vibracija pod različitim radnim uslovima. Podaci iz izveštaja za ekvivalentni nivo vibracija imaju tipičnu statističku disperziju (standardno odstupanje) od 1 m/s<sup>2</sup>.

<sup>123</sup> Emitovanje buke u okruženje mereno kao snaga zvuka (L<sub>WA</sub>).

<sup>124</sup> Emitovanje buke u okruženje mereno kao snaga zvuka (L<sub>WA</sub>).

<sup>125</sup> Ekvivalentni nivo zvučnog pritiska se računa kao suma vremenski ponderisane energije za različite nivoje zvučnog pritiska pri raznim radnim uslovima. Tipična standardna devijacija za ekvivalentni nivo zvučnog pritiska je 1 dB(A).

	<b>jedinica</b>	<b>120 Mark II (P02138HV)</b>
Debljina pogonskih karika (mera)	mm (in)	1,3 (0,05)
Tip pogonskog lančanika		Sa žlebom
Broj zuba pogonskog lančanika		6 (pogonskog lančanika 3/8) 7 (pogonskog lančanika 0,325)

## OPREMA

### Kombinacije mača i lanca motorne testere

Priključci za rezanje u nastavku su odobreni za proizvod.

Vodilica				Lanac	
Dužina, cm (in)	Korak, mm (in)	Graničnik, mm (in)	Maks. poluprečnik nosa	Tip	Broj pogonskih karika
33 (13)	8,25 (0,325)	1,3 (0,050)	10T	Husqvarna H30	56
38 (15)	8,25 (0,325)				64
35 (14)	9,52 (3/8)		7T	Husqvarna H37	52
40 (16)	9,52 (3/8)				56
45 (18)	9,52 (3/8)				62

### Turpijanje lanca motorne testere i kombinacije lanca motorne testere

Lanac					
Tip lanca	Veličina okrugle turpije	Ugao bočne pločice	Ugao gornje pločice	Ugao vodice turpije	Podешavanje graničnika dubine
H30	4,8 mm / 3/16 in.	60°	30°	10°	0,65 mm / 0,025 in.
H37	4,0 mm / 5/32 in.	60°	30°	0°	0,65 mm / 0,025 in.

---

## SADRŽAJ EZ DEKLARACIJE O USAGLAŠENOSTI

---

Mi, kompanija Husqvarna AB, SE 561 82 Huskvarna, ŠVEDSKA, izjavljujemo pod sopstvenom odgovornošću da je predstavljeni proizvod:

Opis	Benzinmotorna testera
Marka	Husqvarna
Platforma/tip/model	Platforma P02138HV, predstavljeni model 120 Mark II
Serijski broj	Serijski broj od 2018. i nadalje

u potpunosti usaglašen sa sledećim EU direktivama i propisima:

Direktiva/propis	Opis
2006/42/EZ	„koji se odnose na mašine“
2014/30/EU	„koji se odnose na elektromagnetsku kompatibilnost“
2000/14/EZ	„koji se odnose na buku u otvorenom prostoru“

Primenjeni harmonizovani standardi i/ili tehničke specifikacije su sledeće: EN ISO 12100, EN ISO 11681-1, CISPR 12, ISO 14982

U skladu sa Direktivom 2000/14/EZ, Aneks V, deklarisanе vrednosti jačine zvuka su izložene u odeljku o tehničkim podacima u ovom uputstvu i u potpisanoj EZ Deklaraciji o usaglašenosti.

TÜV Rheinland LGA Products GmbH, notifikovano telo za mašine (notifikovano pod brojem 0197), Tillystraße 2 - 90431 Nürnberg, Nemačka, izvršilo je pregled po tipu EZ u skladu sa direktivom 2006/42/EZ, član 12, tačka 3b.

Sertifikat pregleda tipa, u skladu sa Dodatkom IX, kako je dat u navedenoj deklaraciji o usaglašenosti EZ, važi za sva proizvodna mesta i zemlje porekla, kako je navedeno na proizvodu.

Ova testera odgovara primerku koji je bio podvrgnut pregledu tipa za EZ.

---

## Innehåll

---

INTRODUKTION.....	373	TRANSPORT.....	383
SÄKERHET.....	374	FÖRVARING.....	383
MONTERING.....	378	TEKNISKA DATA.....	383
ANVÄNDNING.....	378	TILLBEHÖR.....	385
UNDERHÅLL.....	381	INNEHÅLLET I EG-FÖRSÄKRAN OM ÖVERENSSTÄMMELSE.....	385

---

## INTRODUKTION

---

### Bruksanvisning

Det ursprungliga språket i denna bruksanvisning är engelska. Bruksanvisningar på andra språk är översättningar från engelska.

### Översikt

(Fig. 1.)

1. Produkt- och serienummerskytt
2. Gasreglagespärr
3. Främre handtag
4. Cylinderkåpa
5. Kedjebroms med kastskydd
6. Ljuddämpare
7. Barkstöd
8. Noshjul
9. Högerhandsskydd
10. Gasreglage
11. Drevhus
12. Kedjefångare
13. Svärd
14. Sägkedja
15. Startsnörets handtag
16. Kedjeoljetank
17. Startapparat
18. Bränsletank
19. Chokereglage
20. Bakre handtag
21. Stoppkontakt
22. T = justerskruv för tomgång
23. Bränslepump
24. Informations- och varningsdekal
25. Kedjespännarskruv
26. Guide-bar kåpa
27. Kombinationsverktyg
28. Tvätaktolja
29. Bruksanvisning (EPA)

### Symboler på produkten

- (Fig. 2.) Varning
- (Fig. 3.) Läs den här bruksanvisningen
- Använd godkänt huvudskydd, hörselskydd och ögonskydd
- (Fig. 4.)
- (Fig. 5.) Använd godkända skyddshandskar
- (Fig. 6.) Produkten följer gällande EG-direktiv
- (Fig. 7.) Ljudeffektnivå
- Kedjebroms, ej aktiverad (vänster).
- (Fig. 8.) Kedjebroms, aktiverad (höger).
- (Fig. 9.) Chokereglage
- (Fig. 10.) Bränslepump
- (Fig. 11.) Bränslepåfyllning
- (Fig. 12.) Kedjeoljelock
- Produkten överensstämmer med gällande EAC-direktiv
- (Fig. 13.)
- Produkten överensstämmer med gällande ukrainska direktiv
- (Fig. 14.)
- (Fig. 15.) Ljudnivå
- Håll motorsågen i ett fast grepp med båda händerna
- (Fig. 16.)
- (Fig. 17.) Använd den inte hållen i bara en hand
- (Fig. 18.) Undvik att sätta noshjulet i kontakt
- (Fig. 19.) Tänk på kastrisken

Denna produkt överensstämmer med gällande direktiv i Australien och Nya Zeeland angående elektromagnetisk

(Fig. 20.) kompatibilitet.

**Notera:** Övriga symboler/dekaler på produkten avser specifika krav för certifieringar på andra kommersiella marknader.

## Produktansvar

Enligt lagstiftningen för produktansvar ansvarar vi inte för skador som vår produkt orsakar om:

- produkten repareras felaktigt.
- produkten repareras med delar som inte kommer från tillverkaren eller inte har godkänts av tillverkaren.
- produkten har ett tillbehör som inte kommer från tillverkaren eller inte har godkänts av tillverkaren.
- produkten inte repareras vid ett godkänt servicecenter eller av en godkänd person.

# SÄKERHET

## Säkerhetsdefinitioner

Definitionerna nedan beskriver allvarlighetsgraden för varje signalord.



**WARNING:** Personskador.



**OBSERVERA:** Skador på produkten.

**Notera:** Denna information gör produkten lättare att använda.

## Allmänna säkerhetsanvisningar

- Använd produkten på rätt sätt. Skador eller dödsfall är ett möjligt resultat av felaktig användning. Använd endast produkten för arbetsuppgifterna som finns i denna bruksanvisning. Använd inte produkten till andra uppgifter.
- Läs, förstå och följ instruktionerna i denna handbok. Följ säkerhetssymbolerna och säkerhetsinstruktionerna. Om användaren inte följer instruktionerna och symbolerna är skador eller dödsfall ett möjligt resultat.
- Spara den här bruksanvisningen. Använd instruktionerna för att sätta ihop, använda och förvara din produkt i gott skick. Använd instruktionerna för korrekt installation av tillbehör och extrautrustning. Använd endast godkända tillbehör och extrautrustning.
- Använd inte en skadad produkt. Följ underhållsschemat. Utför endast det underhållsarbete som du hittar instruktioner om i den här bruksanvisningen. Godkända servicecenter måste göra allt annat underhållsarbete.
- Den här bruksanvisningen kan inte inkludera alla situationer som kan uppstå när du använder produkten. Var försiktig och använd sunt förnuft. Använd inte produkten eller utför underhåll på

produkten om du inte är trygg med situationen. Tala med en produkterpert, din återförsäljare, din serviceverkstad eller ett godkänt servicecenter för att få information.

- Koppla ur tändstiftskabeln innan du monterar produkten, ställer undan produkten för förvaring eller utför underhåll.
- Använd inte produkten om den ändras från dess första specifikation. Byt inte ut en del av produkten utan tillverkarens godkännande. Använd endast reservdelar som godkänts av tillverkaren. Skador eller dödsfall är ett möjligt resultat av felaktigt underhåll.
- Undvik att andas in rök från motorn. Inandning av motorns avgaser, kedjeoljedimma och sågspån under en längre period kan vara skadligt för hälsan.
- Starta inte produkten inomhus eller nära brandfarligt material. Avgaserna är heta och kan medföra gnistor som kan orsaka brand. Otillräckligt friskluftsflöde kan orsaka skador eller dödsfall på grund av kvävning eller kolmonoxidförgiftning.
- Denna produkt alstrar ett elektromagnetiskt fält under drift. Det elektromagnetiska fältet kan orsaka skador på medicinska implantat. Tala med din läkare och tillverkaren av eventuella medicinska implantat innan du använder produkten.
- Låt inte barn använda produkten.
- Låt inte en person utan kännedom om instruktionerna använda produkten.
- Övervaka alltid en person med nedsatt fysisk eller mental kapacitet som använder produkten. En vuxen person måste vara närvarande hela tiden.
- Lås in produkten på en plats där barn och obehöriga personer inte har åtkomst.
- Produkten kan skjuta ut föremål och orsaka skador. Följ säkerhetsinstruktionerna för att minska risken för personskador eller dödsfall.
- Lämna inte produkten när motorn är på. Stäng av motorn och se till att kedjan inte snurrar.
- Användaren av produkten är ansvarig om en olycka inträffar.
- Kontrollera att delarna inte är skadade innan du använder produkten.

- Följ nationella eller lokala lagar. De kan förhindra eller minska produktens funktion under vissa förhållanden.

## Säkerhetsinstruktioner för drift

- Kontinuerlig eller återkommande drift av produkten kan orsaka "vita fingrar" eller motsvarande medicinska problem av vibrationer. Undersök dina händer och fingrar om du använder produkten kontinuerligt eller regelbundet. Om fingrar och händer har missfärgning har smärta, rysning längs ryggraden varje gång någon nämner häckklippning, eller är numb, avbryta arbetet och tala med en läkare omedelbart.
- Kontrollera att produkten är helt monterad innan du använder den.
- Produkten kan orsaka att föremål skjuts ut, vilket kan orsaka skador på ögonen. Använd alltid godkänt ögonskydd när du använder produkten.
- Var försiktig, ett barn kan närma sig produkten utan din vetskap under användningen.
- Använd inte produkten om det finns personer i arbetsområdet. Stoppa produkten om en person går in i arbetsområdet.

(Fig. 21.)

- Se till att du alltid har kontroll över produkten.
- Motorsågen måste hållas med båda händerna vid användning. Använd inte produkten hållen i bara en hand. Användaren, annan personal, människor runt omkring eller flera av dessa kan skadas allvarligt om produkten används hållen i bara en hand.
- Håll det främre handtaget med vänster hand och det bakre handtaget med höger hand. Håll produkten på höger sida av kroppen ().

(Fig. 22.)

- Använd aldrig produkten om du är trött, sjuk eller påverkad av alkohol, droger eller läkemedel.
- Använd inte produkten om du inte kan få hjälp om en olycka inträffar. Medvetande som du kommer att använda produkten innan du startar produkten.
- Vänd dig inte om med sågen innan du kontrollerar att inga människor eller djur finns i säkerhetsområdet.
- Ta bort allt oönskat material från arbetsområdet innan du börjar. Om sågkedjan träffar ett objekt kan objektet skjutas iväg och orsaka personskada eller annan skada. Oönskat material kan lindas runt sågkedjan och orsaka skador.
- Använd inte produkten i dåligt väder såsom dimma, regn, hård vind, vid risk för åska eller andra väderförhållanden. Riskabla förutsättningar såsom hala underlag kan uppstå på grund av dåligt väder.
- Se till att du kan röra dig fritt och arbeta i en stabil position.
- Se till att du inte kan falla när du använder produkten. Luta dig inte när du använder produkten.
- Håll alltid produkten med båda händerna. Håll det främre handtaget med vänster hand och det bakre

handtaget med höger hand. Håll produkten på höger sida av kroppen ().

- Om chokereglaget är i chokeläge när motorn startar, aktiveras sågkedjan.
- Stanna motorn innan du flyttar produkten.
- Lägg inte ned produkten om motorn är på.
- Stanna motorn innan du tar bort oönskat material från produkten. Låt skärutrustningen stanna innan du avlägsnar skärmaterialet.
- Använd inte produkten uppe i ett träd (). Att använda produkten uppe i ett träd kan leda till personskador.

(Fig. 23.)

- Kedjebromsen skall vara tillslagen när produkten startas, för att minska risken att sågkedjan träffar dig vid start.

(Fig. 24.)

- Undvik backslag, skateboardkarriär, studsa och tappas, vilket kan resultera i allvarliga personskador.
- Följ alla säkerhetsföreskrifter för att förhindra kast, glidning, studsning och släppning, vilket kan resultera i allvarliga personskador.
- Justera sågkedjespänningen regelbundet för att se till att kedjan är riktigt spänd. EN slak sågkedja kan hoppa av och orsaka allvarliga personskador eller dödsfall.
- Fäll inte träd med felaktiga metoder. Detta kan orsaka personskador, att en kraftledning träffas eller orsaka annan skada på egendom.
- Motorsågsanvändaren ska hålla sig i uppsidan av en slutning eftersom trädet kan komma att rulla eller glida ner när det har fällt.

(Fig. 25.)

- Planera vilken reträttväg du kan använda innan fällningen börjar. Escape sökväg bör gå tillbaka och diagonalt bakåt av den förväntade raden på hösten.

(Fig. 26.)

- Stanna alltid motorn innan du flyttar sågen mellan träden.
- Se till att du står stadigt med fötterna på marken och med jämn viktfordelning ().

(Fig. 27.)

- Always keep proper footing and operate the product only when standing on fixed, secure and level surface. Hala eller instabila ytor, t.ex. stegar, kan få dig att tappa balansen eller kontrollen.

(Fig. 28.)

## Kast, glidning, studsning och släppning

Olika krafter äventyra din säkra kontroll över produkten.

- **Glidning** är när svärdet rör sig snabbt sidledes i träet.
- **Studsning** är när svärdet lyfter från träet och vidrör den om och om igen.
- **Släppning** är när produkten faller nedåt efter att sågsnittet går igenom träet. Detta kan göra att sågkedjan kommer i kontakt med en kroppsdel eller

ett föremål och orsaka personskador eller andra skador.

- **Kast** är när noshjulet kommer i kontakt med objekt och plötsligt kastas bakåt, uppåt eller framåt. Kast inträffar även när träet sluter sig och nyper fast sågkedjan under sågning. Om produkten kommer i kontakt med ett föremål i träet kan det hända att du tappar kontrollen ().

(Fig. 29. )

- **Roterande kast** kan inträffa när den sågkedjan kommer i kontakt med ett föremål vid noshjulet. Detta kan leda till att kedjan gräver sig ned i objektet och att kedjan omedelbart stoppas. Resultatet blir en mycket snabb, omvänd reaktion som kastar svärdet uppåt och bakåt i riktning mot användaren ( och ).

(Fig. 30. )

(Fig. 31. )

- **Klämkast** kan inträffa när sågkedjan plötsligt stoppas under sågningen. Träet sluter till och nyper fast sågkedjan längs noshjulet. Kedjans plötsliga stopp reverserar kedjans kraft och gör att produkten rör sig i motsatt riktning av kedjan. Produkten rör sig bakåt i riktning mot användaren ().

(Fig. 32. )

- **Indragning** kan inträffa när sågkedjan plötsligt stoppas när den kommer i kontakt med ett föremål i träet längs svärdets undersida. Det plötsliga stoppet drar produkten framåt och bort från användaren vilket kan göra att användaren tappar kontrollen över produkten ().

(Fig. 33. )

Säkerställ att du förstår hur alla dessa krafter verkar och hur du undviker dem innan du använder produkten.

## Att förhindra kast, glidning, studsning och släppning

- Se till att hålla produkten stadigt när motorn är igång. Håll högra handen i det bakre handtaget och vänstra handen i det främre handtaget. Greppa hårt med tummarna och fingrarna runt handtagen. Släpp inte.
- Håll kontroll över produkten under sågning och efter att trädet fallit till marken. Låt inte motorsågens vikt göra att den faller ned när sågsnittet är klart.(Fig. 34. )
- Se till att området där du ska säga är fritt från hinder. Låt inte noshjulet vidröra en trädstam, gren eller annat hinder medan du använder produkten ().
- Säger med högt varvtal.
- Sträck dig inte för långt och säga inte över axelhöjd ().(Fig. 35. )
- Följ tillverkarens instruktioner för slipning och underhåll av kedjan.
- Vid byte, använd endast de svärd och sågkedjor som specificeras av tillverkaren.

- För stor underställning ökar sågkedjans kastbenägenhet!

## Personlig skyddsutrustning

- Använd alltid korrekt personlig skyddsutrustning när du använder produkten. Den personliga skyddsutrustningen eliminerar inte risken för skador. Den personliga skyddsutrustningen minskar skadans allvarlighetsgrad om en olycka inträffar.
- I allmänhet, övrigt bör vara åsittande utan att begränsa din rörelsefrihet.
- Använd en godkänd skyddshjälm.
- Använd alltid godkänt hörselskydd när du använder produkten. Buller under en längre period kan leda till hörselnedsättning.
- Använd skyddsglasögon eller ansiktsvisir för att minska risken för skador från flygande föremål. Produkten är kapabel till att slunga iväg föremål, såsom sågsån, små trästycken etc. , med stor kraft. Detta kan orsaka allvarlig skada, speciellt på ögonen.
- Använd skyddshandskar för motorsågning.
- Använd byxor med skydd för motorsågning.
- Använd stövlar med skydd för motorsågning, stålhätta och halkfria sulor.
- Se till att du har första hjälpen i närheten.
- Det kan komma gnistor ur ljuddämparen, svärdet och kedjan eller annan källa. Ha alltid verktyg för brandsläckning och en spade till hands för att förhindra skogsbränder.

## Säkerhetsanordningar på produkten

- Se till att du regelbundet utför underhåll på produkten.
  - Produktens livslängd ökar.
  - Risken för olyckor minskar.

Låt en auktoriserad återförsäljare eller ett godkänt servicecenter regelbundet undersöka produkten för att göra justeringar eller reparationer.

- Använd inte en produkt med skadad skyddsutrustning. Om produkten är skadad bör du tala med ett godkänt servicecenter.

## Stoppkontakt

Starta motorn. Kontrollera att motorn stängs av när stoppreglaget flyttas till stoppläget.

## Kontroll av gasreglagespärren

1. Se till att gasreglaget (B) är låst på tomgång när du släpper gasreglagespärren (A) ().(Fig. 36. )
2. Tryck på gasreglagespärren (A) och kontrollera att den går tillbaka till sitt ursprungliga läge när du släpper den.
3. Tryck på gasreglaget (B) och kontrollera att det går tillbaka till sitt ursprungliga läge när du släpper det.
4. Starta motorn och ge sedan full gas.



5. Släpp gasreglaget och kontrollera om sågkedjan stannar.
6. Om sågkedjan roterar med gasreglaget i tomgångsläge kontrollerar du tomgångsjusterskruven på förgasaren.

### Skydd

Skyddet förhindrar att objekt slungas ut i riktning mot användaren. Skyddet förhindrar oavsiktlig kontakt mellan användaren och sågkedjan.

- Se till att skyddet är tillåtet för användning i kombination med produkten.
- Använd inte produkten utan skyddet.
- Se till att skyddet inte är skadat. Byt ut skyddet om det är slitet eller skadat.

### Bränslesäkerhet

- Starta inte produkten om det finns bränsle eller motorolja på produkten. Ta bort det oönskade bränslet/oljan och låt produkten torka. Ta bort oönskat bränsle från produkten.
- Om du spillt bränsle på kläderna skall dessa bytas omedelbart.
- Se till att inte få bränsle på kroppen, det kan orsaka personskador. Om du får bränsle på kroppen använder du tvål och vatten för att ta bort bränslet.
- Starta inte motorn om du spillar olja eller bränsle på produkten eller på kroppen.
- Starta inte produkten om motorn har en läcka. Undersök regelbundet om motorn läcker.
- Var försiktig med bränsle. Bränsle är brandfarligt och ångorna är explosiva och kan orsaka skador eller dödsfall.
- Undvik att andas in bränsleångor då det kan orsaka personskador. Se till att det finns tillräckligt luftflöde.
- Rök inte i närheten av bränslet eller motorn.
- Placera inga varma föremål i närheten av bränslet eller motorn.
- Fyll inte på bränsle när motorn är på.
- Se till att motorn har svalnat innan du fyller på bränsle.
- Innan du fyller på bränsle bör du öppna bränsletanklocket långsamt och försiktigt släppa på trycket.
- Fyll inte på bränsle i motorn inomhus. Otillräckligt luftflöde kan orsaka skador eller dödsfall på grund av kvävning eller kolmonoxidförgiftning.
- Dra åt tanklocket försiktigt, annars kan brand uppstå.
- Flytta produkten minst 3 m från den plats där du fyllde på tanken innan du startar den.
- Fyll inte på med för mycket bränsle i bränsletanken.

- Kontrollera att läckage inte kan uppstå när du flyttar produkten eller bränslebehållaren.
- Placera inte produkten eller bränslebehållaren där det finns öppen eld, gnistor eller tändlågor. Se till att det inte finns någon öppen eld i förvaringsutrymmet.
- Använd endast godkända behållare när du flyttar bränslet eller ställer undan bränslet för förvaring.
- Töm bränsletanken före långtidsförvaring. Följ lokala lagar om var du kan kasta bränsle.
- Rengör produkten före långtidsförvaring.
- Ta bort tändstiftskabeln innan du ställer undan produkten för förvaring så att motorn inte oavsiktligt startar.

### Säkerhetsinstruktioner för underhåll

- Koppla från tändstiftet innan du utför underhåll på produkten, förutom vid justering av förgasaren.
- Låt en auktoriserad återförsäljare utföra all service förutom åtgärderna i *UNDERHÅLL på sida 381*.
- Kontrollera att sågkedjan stannar när gasreglaget släpps.
- Håll handtagen torra, rena och fria från olja och bränsleblandning.
- Se till att lock och fästskruvar är ordentligt åtdragna.
- Ej godkända ersättningskomponenter eller borttagning av säkerhetsanordningar kan orsaka skador på produkten. Detta kan också orsaka allvarliga skador på användaren eller människor runt omkring. Använd endast rekommenderade tillbehör och reservdelar. Modifiera inte produkten.
- För säker och hög prestanda, se till att sågkedjan alltid är skarpslipad och ren.
- Följ instruktionerna för smörjning och byte av tillbehör.
- Kontrollera om det finns några skadade delar på produkten. Se till att skadade skydd eller delar fungerar korrekt innan produkten åter tas i bruk. Kontrollera om det finns skadade eller feljusterade delar eller delar som inte kan röra sig som de ska. Kontrollera om det finns några andra förhållanden som kan påverka motorsägens funktion. Se till att produkten är korrekt monterad. Skydd eller andra skadade delar ska repareras eller bytas ut av en auktoriserad återförsäljare såvida annat meddelas i bruksanvisningen.
- Förvara produkten på en torr, hög plats eller i ett låst utrymme oåtkomligt för barn när den inte används.
- Under transport eller förvaring av produkten ska den vara försedd med svärdsskydd eller ligga innesluten.
- Använd aldrig spillolja. Spillolja är skadlig för dig och kan orsaka skador på produkten och miljön.

# MONTERING



**VARNING:** Läs och förstå säkerhetskapitlet innan du monterar produkten.

## Montering av svärd och sågkedja

1. Dra kastsyddet bakåt i riktning mot det främre handtaget för att koppla ur kedjebromsen.
2. Vik handtaget för att öppna läget. (Fig. 37. )
3. Vrid kedjespännarhjulet moturs för att lossa svärdssyddet. (Fig. 38. )
4. Skruva loss svärdsmuttrarna och ta bort kopplingskåpan. Ta bort transportsyddet, om sådant är installerat. (Fig. 39. )
5. Montera svärdet över svärdsbultarna. Placera svärdet i sitt bakersta läge. Placera kedjan över kedjedrivhjulet och i svärdsspåret. Börja på svärdets ovansida. (Fig. 40. )
6. Kontrollera att skäränkarnas egg är riktade framåt på ovansidan av svärdet.
7. Montera kopplingskåpan och lokalisera kedjespännartappen i svärdets urtag. Kontrollera att kedjans drivlänkar passar på kedjedrivhjulet. Kontrollera även att kedjan ligger rätt i svärdsspåret. (Fig. 41. )
8. Spänn kedjan genom att vrida vredet nedåt (+). Sträck sågkedjan ända tills den inte hänger slak på svärdets undersida. (Fig. 42. )
9. Kedjan skall spännas tills den inte hänger slak på svärdets undersida men fortfarande kan dras lätt för hand ().

10. Håll upp svärdsspetsen och vrid vredet medurs för att öka den. (Fig. 43. )

- På en ny kedja måste kedjespänningen kontrolleras ofta tills kedjan är inkörd.
- Kontrollera kedjespänningen regelbundet. Korrekt kedjespänning ger god prestanda och lång livslängd.

## För att återställa kedjebroms

Om kopplingskåpan tas bort av misstag när kedjebromsen är låst måste kedjebromsen låsas upp så kopplingskåpan kan monteras utan att kärva kopplingstrumman.



**OBSERVERA:** Tryckfjäders till kedjebromsen är spänd. Var försiktig när du återställer kedjebromsen.

**Notera:** OBS! Håll inte bromsbandet när du försöker återställa den.

1. Passa in skårorna på svärdverkyget så att de passar över länken som roterar bromsen. (Fig. 44. )
2. För att återställa bromsen vrider du länken medurs tills det tar stopp. Den främre länken ska vara i nedåtgående roterat läge när kedjebromsen är uppläst. (Fig. 45. ) (Fig. 46. )

# ANVÄNDNING



**VARNING:** Läs och förstå säkerhetskapitlet innan du använder produkten.

## Så använder du bränsle



**OBSERVERA:** Denna produkt har en tvåtaktsmotor. Använd en blandning av bensin och tvåtaktsmotorolja. Se till att använda rätt mängd olja i blandningen. Ett felaktigt blandningsförhållande av bensin och olja kan skada motorn.

## Bränsleblandning

Blandningsförhållande för bensin och tvåtakts motorolja är 50:1 (2 %)

Bensin	Tvåtaktsmotorolja
3,79 liter	77 ml
4,55 liter	95 ml
5 l	100 ml

## Så gör du bränsleblandningen

1. Beräkna den korrekta kvantiteten av bensin och motorolja (blandningsförhållande 50:1). Blanda inte mer bränsleblandning än för 30 dagar. Se *Så använder du bränsle på sida 378*.
2. Fyll på med hälften av bensinkvantiteten i en ren bränslebehållare med antispillventil.



**OBSERVERA:** Använd inte bensin med mer än 10 % etanol (E10). Det kan orsaka skador på produkten.



**OBSERVERA:** Använd inte bensen med ett oktantal lägre än 90 RON (87 AKI). Det kan orsaka skador på produkten.

**Notera:** Använd bensen med ett högre oktantal om du ofta använder produkten vid kontinuerligt högt motorvarvtal.

3. Fyll på hela kvantiteten av tvåtakts motorolja i bränslebehållaren.



**OBSERVERA:** Använd alltid motorolja av hög kvalitet som är avsedd för luftfyllda tvåtaktsmotorer. Andra oljor kan orsaka skador på produkten.

4. Skaka bränsleblandningen så att innehållet blandas.
5. Fyll på bränslebehållaren med den återstående kvantiteten bensen.
6. Skaka bränsleblandningen så att innehållet blandas.
7. Fyll sägens bränsletank med bränsleblandningen. Se *Så använder du bränsle på sida 378*.

## Påfyllning av bränsletanken

1. Se till att bränsleblandningen är den korrekta och att den förvaras i en bränslebehållare med antispillventil.
2. Om det kommer bränsle på behållaren tar du bort det och låter behållaren torka.
3. Se till att området i närheten av bränsletanklocket är rent.
4. Ta bort bränsletanklocket ( ).
5. Skaka bränslebehållaren innan du tillsätter bränsleblandningen i bränsletanken.
6. Sätt tillbaka bränsletanklocket.

## Smörjning av sågkedjan

Produkten har ett automatiskt smörjsystem. Sågkedjeoljetanken och bränsletanken är dimensionerade så att bränslet ska ta slut innan sågkedjeoljan tar slut. Den här säkerhetsfunktionen kräver att rätt kedja olja används och att anvisningarna följs.

1. Använd vegetabilisk sågkedjeolja eller en vanlig sågkedjeolja.
2. Se till att området runt locket till sågkedjeoljetanken är rent.
3. Ta bort locket från sågkedjeoljetanken ( ).
4. Fyll sågkedjeoljetanken med rekommenderad sågkedjeolja.
5. Sätt tillbaka locket på sågkedjeoljetanken.

## Så startar och stoppar du

### Innan du startar motorn

- Genomsök produkten efter saknade, skadade, lösa eller slitna delar.
- Undersök muttrar, skruvar och bultar.
- Undersök luftfiltret.
- Undersök om gasreglagespärren och gasreglaget fungerar korrekt.
- Undersök om stoppreglaget fungerar korrekt.
- Genomsök produkten efter bränsläckor.
- Undersök om sågkedjan är skärpt och spänd.

### Starta kall motor

1. För kastskyddet framåt för att aktivera kedjebromsen. (Fig. 47. )
2. Tryck på bränsleblåsan 6 gånger. (Fig. 48. )
3. Flytta chokereglaget till läget INGEN CHOKE. (Fig. 49. )
4. Håll motorkroppen på marken med vänster hand. Sätt höger fot på det bakre handtaget för att stabilisera motorsågen. Dra i startsnörets handtag långsamt tills du känner ett motstånd. Dra sedan startsnörets handtag med kraft fem gånger. (Fig. 50. )

**Notera:** Tryck inte in i gasreglaget när du startar motorn.

5. Flytta chokereglaget till läget INGEN CHOKE.
6. Dra i startsnörets handtag tills motorn startar. Vänta 60 sekunder efter start innan du trycker in gasreglaget.



**OBSERVERA:** Dra inte i startsnöret förrän det tar stopp. Släpp inte startsnöret när det är fullt utdraget. Släpp långsamt startsnöret. Följ dessa anvisningar för att förhindra skador på motorn.

7. Dra kastskyddet bakåt i riktning mot det främre handtaget för att koppla ur kedjebromsen.
8. Håll det bakre handtaget med höger hand och det främre handtaget med vänster hand.
9. Använda motorsågen.

### Så startar du en varm motor

1. För kastskyddet framåt för att aktivera kedjebromsen.
2. Tryck på bränsleblåsan 6 gånger.
3. Flytta chokereglaget till läget INGEN CHOKE.
4. Flytta chokereglaget till läget INGEN CHOKE.
5. Håll motorkroppen på marken med vänster hand. Sätt höger fot på det bakre handtaget för att stabilisera motorsågen. Dra i startsnörets handtag

långsamt tills du känner ett motstånd. Dra i startsnörets handtag tills motorn startar. (Fig. 51. )

**Notera:** Tryck inte in i gasreglaget när du startar motorn.



**OBSERVERA:** Dra inte i startsnöret förrän det tar stopp. Släpp inte startsnöret när det är fullt utdraget. Släpp långsamt startsnöret. Följ dessa anvisningar för att förhindra skador på motorn.

6. Dra kastskyddet bakåt i riktning mot det främre handtaget för att koppla ur kedjebromsen.
7. Håll det bakre handtaget med höger hand och det främre handtaget med vänster hand.
8. Använda motorsågen.

## Start av motorn när bränslet är för varmt

Om motorsågen inte startar kan det bero på att bränslet är för varmt.

**Notera:** Använd alltid nytt bränsle och minska drifttiden i varmt väder.

1. Placera sågen på en sval plats i skugga.
2. Låt sågen svalna i minst 20 minuter.
3. Tryck på bränsleblåsan om och om igen i 10-15 sekunder.
4. Följ proceduren för start av kall motor. Se *Starta kall motor på sida 379*.

## Stänga av motorn

- Tryck ned stoppreglaget för att stoppa motorn.

**Notera:** Stoppreglaget återgår automatiskt till ursprungsläget.

## Använda barkstöd

Barkstödet förhindrar kast och håller fast träet du sågar. Barkstödet är en svängpunkt mellan motorkropp och svärd.

1. Placera den nedre änden av barkstödet vid rätt brytmånsbredd.
2. Tryck med vänster hand mot det främre handtaget medan du lyfter det bakre handtaget med höger hand.
3. Såga tills du får rätt brytmånsbredd.

**Notera:** Brytmånen måste ha samma tjocklek hela vägen.

4. Såga till mer än hälften av diametern och sätt sedan i fällkilen i sågsnittet.

## Fälla träd

1. Ta bort smuts, stenar, lös bark, spikar, häftklamrar och kablar från trädet där skäret ska göras.
2. Såga ett övre riktskär till 1/3 av trädets diameter, vinkelrätt mot fallriktningen ().(Fig. 52. )
3. Såga ett nedre, horisontellt riktskär. Detta minskar risken för att sågkedjan eller svärdet kläms fast när det andra skäret görs.
4. Såga fällskäret (X) minst 50 mm (2 tum) högre än det horisontella riktskåret (). Se till att fällskäret görs parallellt med det horisontella riktskåret så att tillräckligt med trä kan bilda brytmån när trädet faller. Såga inte igenom denna brytmån. Brytmånen av trä förhindrar att trädet vrids och faller i fel riktning (). (Fig. 53. )(Fig. 54. )
5. När fällskäret närmar sig brytmånen börjar trädet falla. Försäkra dig om att trädet faller i rätt riktning och inte tippas bakåt och klämmer fast sågkedjan. Stoppa sågningen innan fällskäret når igenom för att förhindra detta. Använd kilar av trä, plast eller aluminium för att sära fällskäret och låta trädet falla i den avsedda riktningen ().(Fig. 55. )
6. När trädet börjar falla, ta bort produkten från snittet, stanna motorn, placera den nedåt och sedan använda reträttväg planerad. Se upp för överhängande grenar faller och titta på dina villkor. (Fig. 56. )

## Kvista ett träd

1. Använd större grenar som stöd för att hålla stocken ovanför marken.
2. Kapa små kvistar med ett snitt ().(Fig. 57. )
3. Kapa grenar som ligger i spänn underifrån för att undvika att sågkedjan eller svärdet kläms fast.

## Kapa en stock



**OBSERVERA:** Låt inte sågkedjan komma i kontakt med marken.

- Om stocken har stöd längs hela dess längd, kapa ovanifrån stocken (med dragande kedja) ().(Fig. 58. )
- Om stocken har stöd i ena änden kapar du först 1/3 av diametern underifrån stocken (med skjutande kedja) ().(Fig. 59. )
- Om stocken har stöd i båda ändar, kapa 1/3 av diametern ovanifrån. Slutför kapningen underifrån genom de återstående 2/3 av stocken till det första skäret ().(Fig. 60. )
- Om stocken ligger i en sluttning ska du alltid se till att stå ovanför stocken i sluttningen. Skär genom stocken medan du behåller fullständig kontroll av produkten, släpp sedan upp skärningstryck nära slutet av skäret medan säker fasthållning det bakre handtaget och främre handtag.(Fig. 61. )

---

# UNDERHÅLL

---



**VARNING:** Läs och förstå säkerhetskapitlet innan du rengör, reparerar eller utför underhåll på produkten.

## Underhållsschema

Se till att du följer underhållsschemat. Intervallen beräknas utifrån daglig användning av produkten. Intervallen är annorlunda om du inte använder produkten varje dag. Utför endast det underhållsarbete som finns i den här bruksanvisningen. Tala med ett godkänt servicecenter om andra underhållsarbeten som inte finns i den här bruksanvisningen.

### Dagligt underhåll

- Rengör utvändiga ytor.
- Kontrollera att gasreglagespärren och gasreglaget fungerar korrekt.
- Rengör kedjebromsen och se till att den fungerar korrekt ().

(Fig. 62. )

- Inspektera om kedjefångaren har skador. Byt kedjefångaren om den är skadad ().

(Fig. 63. )

- Vänd svärdet dagligen så att slitaget blir jämnare.
- Kontrollera att smörjhålet på svärdet inte är tilltäppt ().

(Fig. 64. )

- Rengör kedjespåret ().

(Fig. 65. )

- Se till att svärdet och kedjan får tillräckligt med olja.
- Undersök om sågkedjan:
  - har synliga sprickor i nitar och länkar.
  - har ojämnt slitna nitar och länkar.
  - har korrekt spänning.

Om så krävs, byt ut kedjan.

- Skarp sågkedjan. Se *Slipa sågkedjan på sida 382*.
- Kontrollera att kedjedrivhjulet inte är onormalt slitet, byt om erforderligt.

(Fig. 66. )

- Rengör startapparatens luftintag ().
- Se till att skruvar och muttrar är åtdragna.
- Kontrollera att stoppkontakten fungerar korrekt.
- Undersök om det finns bränsleläckage från motor, tank eller bränsleledningar.
- Se till att kedjan inte roterar när motorn går på tomgång.

### Underhåll varje vecka

- Kontrollera att kylsystemet fungerar korrekt.

- Kontrollera att startanordningen, startsnöret och returfljädern fungerar korrekt.
- Kontrollera att vibrationsisolatorerna inte är skadade ().

(Fig. 67. )

- Fila bort alla grader på svärdets kanter.
- Rengör eller byt ljuddämparens gnistskydd ().

(Fig. 68. )

- Rengör utvändiga ytor på förgasaren och dess angränsande områden.
- Rengör luftfiltret. Installera ett nytt luftfilter om det är skadat eller mycket smutsiga som ska rengöras helt. För mer information, se *Rengöring av luftfiltret på sida 382*.

### Underhåll varje månad

- Kontrollera bromsbandet på kedjebromsen med avseende på slitage. Byt när bromsbandet när dess tjocklek är mindre än 0,6 mm (0,024 tum) på det mest slitna stället ().

(Fig. 69. )

- Kontrollera om det finns slitage på kopplingscentrum, kopplingstrumman eller kopplingsfjädern ().
- Rengör tändstiftet. Kontrollera att elektrodavståndet är korrekt ().

(Fig. 70. )

- Rengör utvändiga ytor på förgasaren och dess angränsande områden.
- Kontrollera bränslefiltret och bränsleslangen. Byt ut filtret vid behov.
- Töm bensintanken.
- Töm oljetanken.
- Undersök alla kablar och anslutningar.

### Årligt underhåll

- Undersök tändstiftet.
- Rengör utvändiga ytor på förgasaren och dess angränsande områden.
- Rengör kylsystemet.
- Undersök gnistskyddet.
- Undersök bränslefiltret.
- Undersök bränsleslangen avseende skador.
- Undersök alla kablar och anslutningar.

### Periodiskt underhåll

- Låt ett auktoriserat servicecenter reparera eller byta ut ljuddämparen efter 50 driftstimmar.
- Utför underhåll på tändstiftet när:
  - motorns effektivitet är låg.
  - motorn är svårstartad.

- motorn inte går korrekt på tomgång.
- Kontrollera sågkedjesmörjningen vid varje tankningstillfälle. Se *Kontroll av sågkedjans smörjning på sida 383*.

## Så justerar du tomgångsvarvtalet

Se till att luftfiltret är rent och att luftfilterkåpan sitter fast innan du justerar tomgångsvarvtalet.

1. Vrid tomgångsskruven, märkt med ett "T", medurs tills kedjan börjar rotera.
2. Vrid tomgångsskruven, märkt med ett "T", moturs tills kedjan slutar rotera.
3. Tomgångsvarvtalet ska vara lägre än det varvtal då sågkedjan börjar rotera. Tomgångsvarvtalet är korrekt när motorn arbetar jämnt i alla positioner.

## Rengöring av gnistskydd

1. Använd en stålborste för att rengöra gnistskyddet.

## Underhåll av tändstiftet



**OBSERVERA:** Använd det rekommenderade tändstiftet. Se till att det nya är likadant som tillverkarens del. Ett felaktigt tändstift kan skada produkten.

1. Om motorn inte startar eller fungerar som den ska bör du kontrollera om tändstiftet har något främmande material. Om du vill minska risken för oönskat material på tändstiftets elektroder:
  - a) Se till att tomgångsvarvtalet är korrekt justerat.
  - b) Se till att bränsleblandningen är korrekt.
  - c) Se till att luftfiltret är rent.
2. Rengör tändstiftet om det är smutsigt. Kontrollera att elektrodavståndet är korrekt (,)(Fig. 71. )
3. Byt ut tändstiftet om det är nödvändigt.

## Rengöring av luftfiltret

1. Tag bort luftfilterkåpan och luftfiltret.
2. Rengör luftfiltret med hjälp av varmt tvålatten. Se till att luftfiltret är torrt innan du installerar det.
3. Byt ut luftfiltret om det är för smutsigt för att rengöra helt. Byt alltid ut ett skadat luftfilter.

## Slipa sågkedjan

### Skärlänk

Den sågande delen hos en sågkedja kallas skärlänk och består av en skärtand (A) och en underställningsklack (B). Avståndet i höjd mellan dessa avgör skärdjupet, underställningens inställning (C) (,)(Fig. 72. )

(Fig. 72. )

Vid skärpning av skärtand finns 5 mått att ta hänsyn till.

- Filningsvinkel

(Fig. 73. )

- Stötvinkel

(Fig. 74. )

- Filläge

(Fig. 75. )

- Rundfilens diameter (,).

(Fig. 76. )

## Skärpning av skärtand

Använd en rundfil och en filmall för skärpning av skärtänderna (,). För information om rekommenderad fildiameter och mall för motorsågens installerade sågkedja, se *Sågkedjans filning och sågkedjekombinationer på sida 385*.

1. Se till att kedjan är korrekt spänd. En otillräcklig sträckning gör sågkedjan instabil i sidled vilket försvårar en korrekt skärpning.
2. Fila alla tänderna på ena sidan först. 2 Fila alltid från skärtandens insida och utåt. Lätta filen på returdraget.
3. Stäng av produkten och fila den återstående sidans tänder.
4. Fila så att alla tänder blir lika långa. När endast 4 mm (0,16") återstår av skärtandens längd är sågkedjan utsliten och skall slängas.(Fig. 77. )

## Justering av underställningen

Fila skärtänderna innan du ställer in underställningen. Se *Skärpning av skärtand på sida 382*. Vid filning av skärtanden (A) minskar underställningen (C). För att behålla maximal skärkapacitet måste underställningen (B) filas ned för att uppnå rekommenderad underställning. Se *Sågkedjans filning och sågkedjekombinationer på sida 385*, där du hittar rätt djupmått för din kedja. (Fig. 78. ) (Fig. 79. )

**Notera:** Denna rekommendation förutsätter att skärtändernas längd inte filats ner onormalt.

Använd en flatfil och underställningsmall och justera underställningen.

1. Lägg mallen över sågkedjan. Information om användning av filmallen finns på förpackningen.
2. Använd flatfilen på ovsidan av underställningsklacken som sticker ut genom underställningsmallen. Underställningen är korrekt då inget motstånd känns när du drar filen över mallen.

## Spänna sågkedjan

**Notera:** På en ny kedja måste kedjespänningen kontrolleras ofta tills kedjan är inkörd.

1. Lossa svärdsmuttrarna som håller fast drevhuset. Använd kombinyckeln. (Fig. 80. )
2. Dra sedan åt svärdsmuttrarna för hand så hårt du kan.
3. Lyft upp på svärdets spets och spänn sågkedjan genom att skruva kedjespännarskruven. Använd kombinyckeln. Spänn sågkedjan ända tills den inte hänger slak på svärdets undersida (). (Fig. 81. )
4. Dra åt svärdsmuttrarna med kombinyckeln och lyft samtidigt svärdsspetsen (). (Fig. 82. )
5. Kontrollera att du kan dra runt kedjan för hand och att den inte hänger ned ().(Fig. 83. )

## Smörjning av skärutrustningen

### Kontroll av sågkedjans smörjning

Kontrollera sågkedjesmörjningen vid varje tankningsstillfälle.

1. Starta motorsågen och låt den gå med 3/4 varvtal. Peka svärdsspetsen mot en ljus färgad yta och håll den på cirka 20 cm (8 tum) avstånd.
2. Efter 1 minuts körning visas en oljerand på den ljusa ytan.
3. Om du inte kan se en oljerand efter 1 minut, ska svärdets oljekanal rengöras. Rengör spåret i kanten på svärdet. Se till att svärdets noshjul roterar fritt och att det inte finns något som blockerar smörjhålet. Rengör och smörj noshjulet.
4. Starta motorsågen och låt den gå med 3/4 varvtal. Peka svärdsspetsen mot en ljus färgad yta och håll den på cirka 20 cm (8 tum) avstånd.
5. Efter 1 minuts körning visas en oljerand på den ljusa ytan.
6. Om du inte kan se en oljerand efter 1 minut, kontakta en auktoriserad återförsäljare.

---

## TRANSPORT

---

- Töm bränsle- och kedjeoljetanken innan transport. Kassera förbrukade vätskor på korrekt sätt.
- Svärdsskyddet ska vara på plats på svärdet under transport. Detta förhindrar att personer av misstag kommer i kontakt med den vassa kedjan. Även en stillastående sågkedja kan orsaka skada på dig eller andra personer om de kommer i kontakt med den vassa kedjan.
- Ta bort tändhatten från tändstiftet och aktivera kedjebromsen innan transport.
- Kontrollera att motorsågen inte kan röra sig under transport.

---

## FÖRVARING

---

- Förvara alltid motorsågen på en säker plats när den inte används. Läckor och ångor från motorsågen kan komma i kontakt med gnistor, lågor från elektrisk utrustning, elektriska gräsklippare, reläer/strömbrytare, värmepannor och mycket annat.
- Förvara alltid bränsle i en godkänd behållare.
- Töm bränsle- och kedjeoljetanken när motorsågen inte ska användas under en längre tid. Kassera förbrukade vätskor på korrekt sätt.
- Under förvaring ska svärdsskyddet vara på plats på svärdet. Detta förhindrar att personer av misstag vidrör den vassa sågkedjan. Även en stillastående sågkedja kan orsaka skada på dig eller andra personer som kommer i kontakt med den vassa kedjan.
- Ta bort tändhatten från tändstiftet och aktivera kedjebromsen innan förvaring.

---

## TEKNISKA DATA

---

	enhet	120 Mark II (P02138HV)
<b>Motorspecifikationer</b>		
Cylindervolym	cm <sup>3</sup>	38
Tändstift		Champion RC12YC
Elektroddgap	mm (tum)	0,5 (0,02)
Bränsletankvolym	cm <sup>3</sup>	300
Tomgångsvarvtal	min <sup>-1</sup>	2 800–3 200
Effekt vid 9 000 varv/min <sup>-1</sup>	kW	1,4

	enhet	120 Mark II (P02138HV)
Hållbarhetsperiod	h	50
<b>Buller- och vibrationsdata</b>		
Ekvivalenta vibrationsnivåer, $a_{hveq}$ främre handtag <sup>126</sup>	m/s <sup>2</sup>	4,5
Ekvivalenta vibrationsnivåer, $a_{hveq}$ bakre handtag <sup>127</sup>	m/s <sup>2</sup>	6,0
Ljudeffektnivå, garanterad ( $L_{WA}$ ) <sup>128</sup>	dB (A)	116
Ljudeffektnivå, uppmätt <sup>129</sup>	dB (A)	110
Ljudtrycksnivå vid användarens öra <sup>130</sup>	dB (A)	95
<b>Produktens mått</b>		
Vikt (exklusive skärutrustning)	kg	4,9
Oljetankvolym	cm <sup>3</sup>	200
<b>Bränsle-/smörjsystem</b>		
Oljepumpkapacitet vid 9000 varv/min <sup>-1</sup>	ml/min	7
Oljetankvolym	cm <sup>3</sup>	200
Typ av oljepump		Automatisk
<b>Sågkedja och svärd</b>		
Standardsvärdslängd	cm (tum)	35–40 (14–16)
Rekommenderade svärdslängder	cm (tum)	35–45 (14–18)
Effektiv såglängd	cm (tum)	34–39 (13,5–15,5)
Maximal sågkedjehastighet	m/s	22,3
Sågkedjedelning	mm (tum)	8,3 (0,325)
		9,52 (3/8)
Tjocklek på drivlänkar (bredd)	mm (tum)	1,3 (0,05)
Typ av kedjedrivhjul		Kugghjul
Antal kedjehulkuggar		6 (kedjedrivhjul 3/8)
		7 (kedjedrivhjul 0,325)

<sup>126</sup> Ekvivalent vibrationsnivå, enligt ISO 22867, beräknas som den tidsvägda totalenergin för vibrationsnivåer under olika arbetsförhållanden. Rapporterade data för ekvivalent vibrationsnivå har en typisk statistisk spridning (standardavvikelse) på 1 m/s<sup>2</sup>.

<sup>127</sup> Ekvivalent vibrationsnivå, enligt ISO 22867, beräknas som den tidsvägda totalenergin för vibrationsnivåer under olika arbetsförhållanden. Rapporterade data för ekvivalent vibrationsnivå har en typisk statistisk spridning (standardavvikelse) på 1 m/s<sup>2</sup>.

<sup>128</sup> Emission av buller till omgivningen uppmätt som ljudeffekt ( $L_{WA}$ ).

<sup>129</sup> Emission av buller till omgivningen uppmätt som ljudeffekt ( $L_{WA}$ ).

<sup>130</sup> Ekvivalent ljudtrycksnivå beräknas som den tidsvägda totalenergin för olika ljudtrycksnivåer under olika arbetsförhållanden. Typisk statistisk spridning för ekvivalent ljudtrycksnivå är en standardavvikelse på 1 dB (A).



# TILLBEHÖR

## Kombinationer av svärd och sågkedja

Skärutrustningen nedan har godkänts för produkten.

Svärd				Sågkedja	
Längd cm (tum)	Delning, mm (tum)	Spårbredd, mm	Max. nosradie	Typ	Antal drivlänkar
33 (13)	8,25 (0,325)	1,3 (0,050)	10T	Husqvarna 345FR	56
38 (15)	8,25 (0,325)				64
35 (14)	9,52 (3/8)		7T	Husqvarna H37	52
40 (16)	9,52 (3/8)				56
45 (18)	9,52 (3/8)				62

## Sågkedjans filning och sågkedjekombinationer

Sågkedja					
Typ av kedja	Storlek, rundfil	Eggvinkel	Stötvinkel	Filningsvinkel	Inställning av underställning
H30	3/16 tum/4,8 mm	60°	30°	10°	0,025 tum/ 0,65 mm
H37	5/32 tum/4,0 mm	60°	30°	0°	0,025 tum/ 0,65 mm

## INNEHÅLLET I EG-FÖRSÄKRAN OM ÖVERENSSTÄMMELSE

Husqvarna AB, SE-561 82 Huskvarna, SVERIGE, försäkrar härmed på eget ansvar att den företrädde produkten:

Beskrivning	Bensindriven motorsåg
Varumärke	Husqvarna
Plattform/typ/modell	Plattform P02138HV, representerar modell 120 Mark II
Parti	Serienummer daterade 2018 och framåt

uppfyller alla krav i följande EU-direktiv och förordningar:

Direktiv/förordning	Beskrivning
2006/42/EG	"angående maskiner"
2014/30/EU	"angående elektromagnetisk kompatibilitet"
2000/14/EG	"angående buller utomhus"

Harmoniserade standarder och/eller tekniska specifikationer som tillämpas är följande: EN ISO 12100, EN ISO 11681-1, CISPR 12, ISO 14982

I enlighet med direktiv 2000/14/EG, bilaga V finns ljudvärdena angivna i avsnittet tekniska data i denna handbok och i den undertecknade EU-försäkran om överensstämmelse.

TÜV Rheinland LGA Products GmbH, anmälda organ för maskineri (anmält under 0197), Tillystraße 2 – 90431 Nürnberg, Tyskland, genomförde en EG-typkontroll enligt 2006/42/EG, artikel 12, punkt 3b.

Typundersökningscertifikatet, som levereras med en undertecknad försäkran om överensstämmelse, är tillämpligt på alla tillverkningsplatser och ursprungsländer, såsom anges på produkten.

Motorsågen överensstämmer med det exemplar som genomgick EG-typkontroll.

## İçindekiler

GİRİŞ.....	387	TAŞIMA.....	397
EMNİYET.....	388	SAKLAMA.....	397
MONTAJ.....	392	TEKNİK VERİLER.....	398
KULLANIM.....	392	AKSESUARLAR.....	399
BAKIM.....	395	AT UYUMLULUK BİLDİRİMİNİN İÇERİĞİ.....	400

## GİRİŞ

### Kullanım kılavuzu

Bu kullanım kılavuzunun asıl dili İngilizcedir. Diğer dillerdeki kullanım kılavuzları İngilizceden çevrilmiştir.

### Genel bakış

(Şek. 1 )

1. Ürün ve seri numarası plakası
2. Tetik kilidi
3. Ön tutamak
4. Silindir kapağı
5. Zincir freni ve ön el koruyucusu
6. Susturucu
7. Mahmuz
8. Çubuk kılavuz makarası
9. Sağ el koruyucu
10. Tetik
11. Pinyon kapağı
12. Zincir Kısıkaçı
13. Kılavuz çubuk/uç
14. Testere zinciri
15. Çalıştırma kolu
16. Zincir yağı deposu
17. Çalıştırıcı
18. Yakıt tankı
19. Jikle kontrolü
20. Arka kol
21. Durdurma anahtarı
22. Rölanti ayar vidası
23. Hava alma haznesi
24. Bilgi ve uyarı etiketi
25. Zincir germe vidası
26. Kılavuz çubuğu kapağı
27. Kombine alet
28. İki zamanlı yağ
29. Kullanım kılavuzu (EPA)

### Ürün üzerindeki semboller

(Şek. 2 ) Uyarı

(Şek. 3 ) Bu kılavuzu okuyun

- (Şek. 4 ) Onaylı baş koruma ekipmanı, kulak koruma ekipmanı ve koruyucu gözlük kullanın
- (Şek. 5 ) Onaylı koruyucu eldiven kullanın
- (Şek. 6 ) Ürün, geçerli AT Direktiflerine uygundur
- (Şek. 7 ) Ses gücü seviyesi
- (Şek. 8 ) Zincir freni, devrede değil (sol). Zincir freni, devrede (sağ)
- (Şek. 9 ) Jikle kontrolü
- (Şek. 10 ) Hava alma haznesi
- (Şek. 11 ) Yakıt doldurma
- (Şek. 12 ) Zincir yağı doldurma
- (Şek. 13 ) Bu ürün, geçerli ATK direktiflerine uygundur
- (Şek. 14 ) Bu ürün, geçerli Ukrayna direktiflerine uygundur
- (Şek. 15 ) Gürültü düzeyi
- (Şek. 16 ) Ürünü her iki elinizle düzgün bir şekilde tutun
- (Şek. 17 ) Tek elle kullanmayın
- (Şek. 18 ) Kılavuz çubuğunun ucuna dokunmaktan kaçının
- (Şek. 19 ) Geri tepmeye dikkat edin
- (Şek. 20 ) Bu ürün, geçerli Avustralya ve Yeni Zelanda elektromanyetik uyumluluk direktiflerine uygundur.

**Not:** Ürünün üzerindeki diğer semboller/etiketler, diğer ticari alanların sertifikalandırma gereklilikleri ile ilgilidir.

## Ürün sorumluluğu

Ürün sorumluluğu yasalarında belirtildiği üzere;

- ürünün hatalı bir şekilde onarılması,
- ürünün, üretici tarafından onaylanmayan veya üreticiden alınmayan parçalarla tamir edilmesi,

- üründe, üreticiden alınmayan veya üretici tarafından onaylanmayan bir aksesuar bulunması,
- ve ürünün, onaylı bir servis merkezinde veya yetkili bir kurum tarafından tamir edilmemesi durumunda oluşabilecek hasarlardan sorumlu değiliz.

## EMNİYET

### Güvenlik tanımları

Aşağıdaki tanımlar, her bir sinyal kelimesinin önem derecesini belirtir.



**UYARI:** Yaralanma tehlikesi.



**DİKKAT:** Ürünün hasar görme tehlikesi.

**Not:** Bu bilgiler, ürünün kullanımını kolaylaştırır.

### Genel güvenlik talimatları

- Ürünü doğru şekilde kullanın. Yaralanma veya ölüm, hatalı kullanımın olası sonuçlarıdır. Ürünü, yalnızca bu kılavuzda belirtilen işler için kullanın. Ürünü başka işler için kullanmayın.
- Bu kılavuzdaki talimatları okuyun, anlayın ve bu talimatlara uyun. Güvenlik sembollerine ve güvenlik talimatlarına uyun. Operatörün talimatlara ve sembolere uymaması yaralanma, hasar veya ölümle sonuçlanabilir.
- Bu kılavuzu atmayın. Ürününüzü monte etmek, çalıştırmak ve iyi durumda tutmak için talimatlara başvurun. Ataşmanların ve aksesuarların doğru kurulumu için talimatlara başvurun. Yalnızca onaylanmış ataşmanları ve aksesuarları kullanın.
- Hasarlı ürünü kullanmayın. Bakım takvimine uyun. Yalnızca bu kılavuzda ilgili talimatı bulduğunuz bakım çalışmalarını gerçekleştirin. Diğer tüm bakım işlerini onaylı bir servis merkezi yapmalıdır.
- Bu kılavuz, ürünü kullanırken oluşabilecek tüm durumları kapsayamaz. Dikkatli olun ve sağduyunuzu kullanın. Durumdan emin değilseniz ürünü kullanmayın veya ürün üzerinde bakım yapmayın. Bilgi almak için bir ürün uzmanına, bayinize, servis noktasına veya onaylı servis merkezine danışın.
- Ürünü monte etmeden, saklamadan veya ürün üzerinde bakım yapmadan önce buji kablosunun bağlantısını kesin.
- Orijinal özellikleri değiştirilmişe ürünü kullanmayın. Üreticinin onayı olmadan ürünün bir parçasını değiştirmeyin. Yalnızca üretici tarafından onaylanmış

parçaları kullanın. Hatalı bakım çalışmaları, yaralanma veya ölümle sonuçlanabilir.

- Motordan çıkan dumanları solumayın. Motorun egzoz dumanlarını, zincir yağı buharını ve talaşı uzun süre solumak sağlığınıza zarar verebilir.
- Ürünü kapalı yerlerde veya yanıcı maddelerin yakınında çalıştırmayın. Egzoz dumanları sıcaktır ve bir yangına neden olabilecek kıvılcımlar içerebilir. Yeterli hava akışı olmaması, nefessiz kalma veya karbon monoksit nedeniyle yaralanma ya da ölümle sonuçlanabilir.
- Bu ürün çalışırken elektromanyetik bir alan oluşturur. Elektromanyetik alan, tıbbi implantlara zarar verebilir. Ürünü kullanmadan önce doktorunuzla ve tıbbi implant üreticinizle iletişime geçin.
- Ürünü, bir çocuğun kullanmasına izin vermeyin.
- Talimatlar hakkında bilgisi olmayan birinin ürünü kullanmasına izin vermeyin.
- Fiziksel veya zihinsel kapasitesi düşük olan bir kişi ürünü kullanırken bu kişiyi daima gözetim altında tutun. Sorumluluk sahibi bir yetişkin her zaman orada olmalıdır.
- Ürünü, çocukların ve onaylanmayan kişilerin ulaşamayacağı bir yere kilitleyin.
- Ürün, nesnelere fırlatarak yaralanmaya sebep olabilir. Yaralanma veya ölüm riskini azaltmak için güvenlik talimatlarına uyun.
- Motor açıkken üründen uzaklaşmayın. Motoru durdurun ve zincirin dönmediğinden emin olun.
- Oluşabilecek kazalardan operatör sorumludur.
- Ürünü kullanmadan önce parçaların hasarlı olmadığından emin olun.
- Ulusal veya yerel yasalara uyun. Bazı koşullarda bu yasalar, ürünün kullanımını önleyebilir veya kısıtlayabilir.

### Kullanım için güvenlik talimatları

- Ürünün aralıksız ya da düzenli olarak kullanılması "beyaz parmak" hastalığına veya titreşim kaynaklı benzer tıbbi sorunlara yol açabilir. Ürünü aralıksız ya da düzenli olarak kullanıyorsanız ellerinizin ve parmaklarınızın durumunu inceleyin. Ellerinizde ya da parmaklarınızda renk solması, ağrı, karıncalanma veya hissizlik varsa çalışmayı bırakın ve derhal bir doktora gidin.
- Ürünü kullanmadan önce ürünün tamamen monte edildiğinden emin olun.

- Ürün, nesnelere fırlatılmasına neden olabilir; bu durum gözle zarara verebilir. Ürünü kullanırken daima onaylı koruyucu gözlük kullanın.
- Dikkatli olun; çalışma sırasında bir çocuk siz fark etmeden ürüne yaklaşabilir.
- Çalışma alanında insanlar varsa ürünü çalıştırmayın. Çalışma alanına biri girerse ürünü durdurun.

#### (Şek. 21)

- Her zaman ürünün kontrolünün sizde olduğundan emin olun.
- Ürün iki elle çalıştırılmalıdır. Ürünü tek elle kullanmayın. Motorlu testerenin tek elle kullanılması, operatörün, çalışanların, çevredekilerin veya bunların tümünün ağır yaralanmasına neden olabilir.
- Ön tutma yerini sol elinizle, arka tutma yerini sağ elinizle tutun. Ürünü vücudunuzun sağ tarafında tutun.

#### (Şek. 22)

- Ürünü yorgun, hasta veya alkol ya da ilaç etkisi altında olduğunuzda çalıştırmayın.
- Bir kaza oluşması durumunda yardım alamayacak durumdaysanız ürünü kullanmayın. Kullanmaya başlamadan önce diğer kişilere ürünü çalıştıracığınızı bildirin.
- Güvenlik alanında hiçbir insan veya hayvan bulunmadığından emin olmadan ürünle dönüş yapmayın.
- Çalışmaya başlamadan önce çalışma alanındaki tüm istenmeyen nesnelere kaldırım. Zincir bir nesneye çarparsa nesne fırlayabilir ve yaralanmaya veya hasara neden olabilir. İstenmeyen nesnelere, zincirin etrafına dolanabilir ve hasara neden olabilir.
- Sis, yağmur, kuvvetli rüzgar, yıldırım düşme riski gibi veya diğer kötü hava koşullarında ürünü kullanmayın. Kötü hava nedeniyle, kaygan yüzeyler gibi tehlikeli koşullar oluşabilir.
- Rahatça hareket edebildiğinizden ve dengeli bir pozisyonda çalışabildiğinizden emin olun.
- Ürünü kullanırken düşme ihtimaliniz olmadığından emin olun. Ürünü kullanırken eğilmeyin.
- Ürünü daima iki elinizle tutun. Ön tutma yerini sol elinizle, arka tutma yerini sağ elinizle tutun. Ürünü vücudunuzun sağ tarafında tutun.
- Jikle kontrolü, motor çalıştığında jikle konumundaysa zincir dönmeye başlar.
- Ürünü taşımadan önce motoru durdurun.
- Motor açıkken ürünü yere koymayın.
- Üründeki istenmeyen maddeleri almadan önce motoru durdurun. Siz veya yardımcınız kesilen malzemeleri temizlemeden önce zincirin durmasını bekleyin.
- Motorlu testereyi ağaçtayken kullanmayın. Ürünün ağaç üzerindeyken kullanılması yaralanmaya neden olabilir.

#### (Şek. 23)

- Başlatma sırasında testere zincirinin size değme riskini azaltmak için ürün çalıştırıldığında zincir freni devrede olmalıdır.

#### (Şek. 24)

- Ürün geri tepmesini, kaymasını, sıçramasını ve düşmesini önleyin. Bu, ciddi yaralanmayla sonuçlanabilir.
- Ciddi yaralanmayla sonuçlanabilecek geri tepme ve diğer kuvvetlerin önlenmesine yardımcı olmak için tüm güvenlik kurallarına uyun.
- Testere zincirinin gevşemediğinden emin olmak için zincir gerginliğini düzenli olarak ayarlayın. Gevşek zincir yerinden çıkabilir ve ciddi yaralanmaya veya ölüme neden olabilir.
- Ağaçları yanlış bir prosedür uygulayarak devirmeyin. Bu, kişilerin yaralanmasına, hizmet hattına çarpmasına veya mal zararına neden olabilir.
- Kesilen ağaç büyük ihtimalle yokuş aşağı yuvarlanacağı için operatörün arazinin yokuş yukarı kısmında kalması gerekir.

#### (Şek. 25)

- Kesim işlemine başlamadan önce kaçış yolu planlayıp temizleyin. Kaçış yolu, beklenen düşme hattının arkasında çapraz olarak geriye doğru gitmelidir.

#### (Şek. 26)

- Ürünü bir ağaçtan diğerine taşımadan önce her zaman motoru durdurun.
- Ayağınızı yere sıkıca bastığınızdan ve ağırlığınızı eşit olarak dağıttığınızdan emin olun.

#### (Şek. 27)

- Ürünü yalnızca sağlam, sabit ve düz bir zeminde ayakta durur konumdayken ve ayaklarınızı sabit haldeyken kullanın. Merdiven gibi sabit olmayan veya kaygan yüzeyler denge ya da kontrol kaybına neden olabilir.

#### (Şek. 28)

### Gerçek tepme, kayma, sıçrama ve düşme

Ürünün güvenli bir şekilde kontrol edilmesini farklı güçler etkileyebilir.

- **Kayma**, kılavuz çubuğunun ağaçta kayması veya hızla hareket etmesidir.
- **Sıçrama**, kılavuz çubuğunun ağaçtan ayrılarak tekrar tekrar ağaca temas etmesidir.
- **Düşme**, kesim yapıldıktan sonra ürünün yere düşmesidir. Bu, hareket eden zincirin vücudun bir kısmına veya diğer nesnelere temas etmesine neden olarak yaralanma ya da hasara yol açabilir.
- **Gerçek tepme**, kılavuz çubuğunun uç kısmının nesnelere değmesi ve arkaya, yukarıya veya aniden öne doğru hareket etmesidir. Gerçek tepme, kesim sırasında ağacın kapanıp testere zincirini sıkıştırdığında da meydana gelir. Ürünün ağaçtaki bir nesneye temas etmesi kontrol kaybıyla sonuçlanabilir.

(Şek. 29 )

- **Döner Geri Tepme**, hareket halindeki zincirin, kılavuz çubuğunun üst kısmındaki bir nesneye değmesiyle meydana gelebilir. Bu, zincirin nesneye gömülmesine ve hemen durmasına neden olabilir. Sonuç, kılavuz çubuğunun operatörün bulunduğu yönde yukarı ve arkaya doğru hareket etmesine neden olan çok hızlı bir ters tepkidir.

(Şek. 30 )

(Şek. 31 )

- **Sıkışma Sonucu Geri Tepme**, kesim sırasında testere zinciri aniden durduğunda meydana gelebilir. Ağaç kapanıp kılavuz çubuğunun üst kısmı boyunca hareketli testere zincirini sıkıştırır. Zincirin aniden durması zincir gücünü tersine döndürür ve ürünün zincirin dönme yönünün tersine hareket etmesine neden olur. Ürün operatörün bulunduğu yönde arkaya doğru hareket eder.

(Şek. 32 )

- **Çekme**, hareketli zincir kılavuz çubuğunun alt kısmı boyunca ağaç içindeki bir nesneye değip testere zinciri aniden durduğunda meydana gelebilir. Aniden durma, ürünü ileriye ve operatörden uzağa doğru çekerek operatörün kolayca kontrolü kaybetmesine neden olabilir.

(Şek. 33 )

Ürünü kullanmadan önce farklı güçleri ve bunların nasıl önleneceğini anladığınızdan emin olun.

## Gerilme, kayma, sıçrama ve düşmeyi önlemek için

- Motor çalışırken ürünü sıkıca tuttuğunuzdan emin olun. Sağ elinizi arka tutma yerinde ve sol elinizi ön tutma yerinde tutun. Başparmağınız ve diğer parmaklarınızla tutma yerlerini sıkıca tutun. Bırakmayın.
- Kesim sırasında ve ağaç yere düştükten sonra ürünün kontrolünüzde olmasını sağlayın. Kesim yapıldıktan sonra ürünün ağırlığıyla aşağı düşmesine izin vermeyin.(Şek. 34 )
- Kesim yaptığınız alanda engel bulunmadığından emin olun. Ürünü kullanırken kılavuz çubuğunun uç kısmını bir kütüğe, dala veya diğer engellere deydirmeyin.
- Yüksek motor hızında kesin.
- Uzanmayın veya omuz hizasından yüksekte kesim yapmayın.(Şek. 35 )
- Üreticinin testere zinciri için bildirdiği bileme ve bakım talimatlarına uyun.
- Yalnızca üreticinin belirttiği kılavuz çubuklarını ve testere zincirlerini kullanın.
- Derinlik ölçeği ayarı çok büyükse geri tepme riski artar.

## Kişisel koruyucu ekipman

- Ürünü kullanırken her zaman doğru kişisel koruyucu ekipmanları kullanın. Kişisel koruyucu ekipmanlar yaralanma riskini ortadan kaldırmaz. Kişisel koruyucu ekipmanlar, bir kaza oluşması durumunda yaralanma derecesini azaltır.
- Genel olarak, kıyafetler hareket serbestliğinizi kısıtlamadan üstünüze oturmaldır.
- Onaylı koruyucu baret kullanın.
- Ürünü kullanırken daima onaylı bir koruyucu kulaklık takın. Uzun süre gürültüye maruz kalmak işitme kaybına neden olabilir.
- Fırlayan nesnelere neden olacağı yaralanma riskini azaltmak için koruyucu gözlük veya yüz vizörü kullanın. Bu ürün ağaç yongaları, küçük ağaç parçaları gibi nesnelere büyük bir kuvvetle fırlatabilir. Bu, özellikle gözlerde ciddi yaralanmayla sonuçlanabilir.
- Motorlu testere korumalı eldiven kullanın.
- Motorlu testere korumalı pantolon kullanın.
- Motorlu testere korumalı, çelik burunlu ve kaymaz tabanlı botlar kullanın.
- Yakınıınızda bir ilk yardım kiti bulunduğundan emin olun.
- Susturucu, kılavuz çubuğu ve testere zincirden veya başka kaynaklardan kıvılcım çıkabilir. Orman yangınlarının önlenmesine yardımcı olmak için her zaman yanınızda yangın söndürücü araçlar ve kürek bulundurun.

## Ürün üzerindeki koruyucu cihazlar

- Ürünün bakımını düzenli olarak yaptığınızdan emin olun.
  - Ürünün kullanım ömrü artar.
  - Kaza riski azalır.
- Ürün üzerinde ayarlama veya onarım yapılması için düzenli olarak ürünün onaylı bir bayi veya onaylı bir servis merkezi tarafından incelenmesini sağlayın.
- Ürünü, hasarlı koruyucu ekipmanla kullanmayın. Ürün hasar görürse onaylı bir servis merkeziyle görüşün.

## Durdurma anahtarı

Motoru başlatın. Durdurma anahtarını durma konumuna getirdiğinizde motorun durduğundan emin olun.

## Gaz tetiği kilidini kontrol etmek için

1. Tetik kilidini (A) serbest bıraktığınızda tetiğin (B) rölanti konumunda kilitletiğinden emin olun.(Şek. 36 )
2. Tetik kilidine (A) basın ve kilidi serbest bıraktığınızda ilk konumuna döndüğünden emin olun.
3. Tetiğe (B) basın ve tetiği serbest bıraktığınızda ilk konumuna döndüğünden emin olun.
4. Motoru çalıştırın ve tam hız uygulayın.

5. Tetiđi serbest bırakın ve testere zincirinin durup durmadığını kontrol edin.
6. Motor rölantideyken testere zinciri dönüyorsa karbüratörün rölanti ayar vidasını inceleyin.

### Siperlik

Siperlik, nesnelere operatöre doğru fırlatılmasını engeller. Ayrıca testere zincirinin yanlışlıkla operatöre değmesini de engeller.

- Siperliğin ürünle birlikte kullanılmasına izin verildiğinden emin olun.
- Ürünü siperliksiz kullanmayın.
- Siperliğin zarar görmemiş olduğundan emin olun. Aşınmışsa veya çatlak varsa siperliği değiştirin.

### Yakıt güvenliği

- Ürünün üzerinde yakıt veya motor yağı varsa ürünü çalıştırmayın. İstenmeyen yakıtı/yağı temizleyin ve ürünün kurumasını bekleyin. Üründeki istenmeyen yakıtı temizleyin.
- Kıyafetlerinize yakıt bulaşırsa kıyafetlerinizi hemen değiştirin.
- Vücudunuza yakıt bulaştırmayın; bu, yaralanmaya sebep olabilir. Vücudunuza yakıt bulaşırsa yakıtı temizlemek için su ve sabun kullanın.
- Ürüne ya da vücudunuza yağ veya yakıt dökerseniz motora çalıştırmayın.
- Motorda sızıntı varsa ürünü çalıştırmayın. Motorda sızıntı olup olmadığını düzenli olarak kontrol edin.
- Yakıtla uğraşırken dikkatli olun. Yakıt yanıcı ve dumanlar patlayıcıdır; yaralanmalara veya ölüme sebep olabilir.
- Yaralanmaya sebep olabileceğinden yakıt dumanını solumayın. Yeterli hava akışı olduğundan emin olun.
- Yakıtın veya motorun yakınında sigara içmeyin.
- Yakıtın veya motorun yakınına sıcak nesnelere koymayın.
- Motor açıkken yakıt eklemeyin.
- Yakıtı yenilemeden önce motorun soğuduğundan emin olun.
- Yakıtı yenilemeden önce yakıt tankı kapağını yavaşça açın ve basıncı dikkatlice tahliye edin.
- Kapalı bir alanda motora yakıt eklemeyin. Nefessiz kalma veya karbon monoksit nedeniyle yeterli hava akışının olmaması yaralanmaya veya ölüme sebep olabilir.
- Yakıt tankı kapağını dikkatlice sıkın; aksi takdirde yangın çıkabilir.
- Çalıştırmadan önce ürünü, yakıt tankını doldurduğunuz konumdan en az 3 m (10 ft) uzağa taşıyın.
- Yakıt tankına çok fazla yakıt doldurmayın.

- Ürünü veya yakıt konteynerini taşıırken sızıntı olmadığından emin olun.
- Ürünü veya bir yakıt konteynerini açık ateşin, kıvılcımın veya pilot alevinin olduğu bir alana koymayın. Depolama alanında açık alev olmadığından emin olun.
- Yakıtı taşıırken veya depolarken yalnızca onaylı konteynerleri kullanın.
- Ürünü uzun süre saklamadan önce yakıt tankını boşaltın. Yakıtın nereye atılacağı konusunda yerel yasalara uyun.
- Ürünü uzun süre saklamadan önce temizleyin.
- Motorun kazara çalışmasını engellemek için ürünü saklamadan önce buji kablosunu çıkarın.

### Bakım için güvenlik talimatları

- Ürüne bakım yapmadan (karbüratör ayarlamaları dahil değildir) önce bujiyi sökün.
- Ürüne uygulanan tüm servis işlemlerinin yetkili bir bayi tarafından yapılmasını sağlayın (*BAKIM sayfa: 395* bölümündeki görevler dahil değildir).
- Gaz tetiđi bırakıldığında testere zincirinin durduğundan emin olun.
- Tutma yerlerini kuru ve temiz tutun; üzerinde yağ veya yakıt karışımı bulunmadığından emin olun.
- Kapakların ve bağlama parçalarının doğru bir şekilde sıkılmış olduğundan emin olun.
- Onaylı olmayan değişim bileşenleri veya güvenlik araçlarının çıkarılması ürünün hasar görmesine neden olabilir. Bu, operatörün veya çevredekilerin yaralanmasına da neden olabilir. Yalnızca önerilen aksesuarları ve yedek parçaları kullanın. Ürünü değiştirmeyin.
- Güvenli ve yüksek performans için testere zincirini keskin ve temiz tutun.
- Aksesuar değiştirme ve yağlama talimatlarına uyun.
- Üründe hasarlı parçalar olup olmadığını kontrol edin. Ürünü daha fazla kullanmadan önce, hasarlı siperliğin veya parçanın düzgün çalıştığından emin olun. Bozuk veya yanlış hizalanmış ve serbest hareket etmeyen parçalar olup olmadığını kontrol edin. Ürünün çalışmasını etkileyebilecek diğer şartları kontrol edin. Ürünün doğru bir şekilde takıldığından emin olun. Siperlik veya diğer hasarlı parçalar, kullanım kılavuzunda aksi belirtilmedikçe yetkili bir bayi tarafından onarılmalı ya da değiştirilmelidir.
- Çalışmadığı zamanlar ürünü kuru, yüksek veya çocukların erişmeyeceği kilitli bir yerde tutun.
- Taşıma veya saklama sırasında ürünü taşımak için kılavuz çubuğu kabı veya kılıfı kullanın.
- Atık yağ kullanmayın. Atık yağ sizin için tehlikeli olabileceği gibi, ürüne ve çevreye de zarar verebilir.

## MONTAJ



**UYARI:** Ürünü monte etmeden önce güvenlik bölümünü okuyup anlayın.

### Kılavuz çubuğunu ve testere zincirini takma

1. Zincir frenini devre dışı bırakmak için ön el koruyucusunu ön tutma yerinin yönünde hareket ettirin.
2. Düğmeyi dışarıya doğru açık konumuna katlayın. (Şek. 37 )
3. Kılavuz kapağını gevşetmek için düğmeyi saat yönünün tersine çevirin.(Şek. 38 )
4. Düğmeyi (A) ve pinyon kapağını çıkarın. Varsa taşıma koruyucusunu çıkarın. (Şek. 39 )
5. Kılavuz çubuğunu kılavuz civatalarının üzerine koyun. Kılavuz çubuğunu en arka konumuna yönlendirin. Zinciri tahrik dişlisinin üzerine koyun ve kılavuz çubuğundaki oluğa geçirin. Kılavuz çubuğunun üst kenarından başlayın. (Şek. 40 )
6. Kesici bağlantı kenarlarının kılavuz çubuğunun üst kenarına dönük olduğundan emin olun.
7. Pinyon kapağını takın ve zincir ayarlama pimini kılavuz çubuğundaki deliğe yönlendirin. Zincirdeki zincir dişlilerinin tahrik dişlisine doğru bir şekilde uyduğundan emin olun. Ayrıca testere zincirinin, kılavuz çubuğundaki oluğa doğru bir şekilde geçtiğinden emin olun. (Şek. 41 )
8. Dişliyi aşağı (+) çevirerek testere zincirini sıkın. Zinciri kılavuz çubuğunun altından sarkmayacak kadar sıkın. (Şek. 42 )

9. Testere zinciri, kılavuz çubuğunun altından sarkmadığında ve elle kolayca döndürdüğünüzde doğru bir şekilde sıkılmıştır.
10. Kılavuz çubuğunun ucunu yukarı kaldırın ve sıkamak için düğmeyi saat yönünde çevirin. (Şek. 43 )
  - Yenisini taktıktan sonra testere zinciri alıştırılana kadar zincir gerginliğini kontrol edin.
  - Zincir gerginliğini düzenli olarak kontrol edin. Zincir gerginliğini düzeltmek, yüksek kesme performansı ve uzun ömürle sonuçlanır.

### Zincir frenini sıfırlamak için

Zincir freni kilitliyen kavrama kapağı kazayla yerinden çıkarılırsa kavrama tamburuna tutunmadan kavrama kapağının monte edilebilmesi için zincir freninin kilidinin açılması gerekir.



**DİKKAT:** Zincir freni yayı gergindir. Zincir frenini sıfırlarken dikkatli olun.

**Not:** Sıfırlamaya çalıştığınız sırada fren balatasını tutmayın.

1. Kılavuz aletindeki çentikleri, fren döner bağlantısına oturmalarını sağlayacak şekilde hizalayın.(Şek. 44 )
2. Freni sıfırlamak için bağlantıyı durana kadar saat yönünde döndürün. Zincir freninin kilidi açıldığında ön bağlantı döndürülebildiği en aşağı konumda olacaktır.(Şek. 45 )(Şek. 46 )

## KULLANIM



**UYARI:** Ürünü kullanmadan önce güvenlik bölümünü okuyup anlayın.

### Yakıtın kullanılması



**DİKKAT:** Bu üründe iki devirli motor bulunur. Benzin ve iki devirli motor yağı karışımı kullanın. Karışımda doğru miktarda yağ kullandığınızdan emin olun. Yanlış benzin ve yağ oranı motora zarar verebilir.

### Yakıt karışımı oranı

Benzin ve iki devirli motor yağı için yakıt karışımı 50:1'dir (%2)

Benzin	İki devirli motor yağı
1 ABD Gal.	77 ml (2,6 oz)
1 BK Gal.	95 ml (3,2 oz)
5 l	100 ml (3,4 oz)

### Yakıt karışımının hazırlanması

1. Doğru benzin ve motor yağı miktarını belirleyin (karışım oranı 50:1). 30 gün içinde tüketilemeyecek miktarda yakıt karışımı hazırlamayın. Bkz. *Yakıtın kullanılması sayfa: 392*.
2. Benzin miktarının yarısını sıçratmayı önleyen supapla temiz bir yakıt konteynerine ekleyin.





**DİKKAT:** %10'dan fazla etanol konsantrasyonu (E10) içeren benzin kullanmayın. Bu, üründe hasara neden olabilir.



**DİKKAT:** Oktan numarası 90 RON (87 AKI) değerinin altında olan benzin kullanmayın. Bu, üründe hasara neden olabilir.

**Not:** Ürünü sık sık ve sürekli olarak yüksek motor devrinde kullanıyorsanız daha yüksek oktan numarasına sahip benzin kullanın.

- İki devirli motor yağının tamamını yakıt konteynerine ekleyin.



**DİKKAT:** Her zaman hava soğutmalı, iki devirli ve yüksek kaliteli motor yağı kullanın. Diğer yağlar ürünün hasar görmesine neden olabilir.

- İçeriğin karışması için yakıt karışımını çalkalayın.
- Kalan benzin miktarını yakıt konteynerine ekleyin.
- İçeriğin karışması için yakıt karışımını çalkalayın.
- Ürünün yakıt tankını yakıt karışımıyla doldurun. Bkz. *Yakıtın kullanılması sayfa: 392.*

### Yakıt tankını doldurmak için

- Yakıt karışımının doğru olduğundan ve supabı sıçratmayı önleyen bir yakıt konteynerinde olduğundan emin olun.
- Konteynerde yakıt varsa istenmeyen yakıtı boşaltın ve konteynerin kurumasını bekleyin.
- Yakıt tankı kapağının etrafındaki bölgenin temiz olduğundan emin olun.
- Yakıt tankı kapağını çıkarın.
- Yakıt karışımını yakıt tankına eklemeyen önce yakıt konteynerini çalkalayın.
- Yakıt tankı kapağını tekrar yerine takın.

### Testere zincirini yağlamak için

Ürünün otomatik yağlama sistemi vardır. Testere zinciri yağ tankı ve yakıt tankı, yakıt zincir yağından önce bitecek şekilde tasarlanmıştır. Bu güvenlik özelliği, doğru zincir yağını kullanmayı ve talimatlara uymayı gerektirir.

- Bitkisel bazlı testere zinciri yağı veya standart bir zincir yağı kullanın.
- Testere zinciri yağ tankının kapağının yanındaki alanın temiz olduğundan emin olun.
- Testere zinciri yağı tankının kapağını çıkarın.
- Testere zinciri yağ tankını tavsiye edilen zincir yağıyla doldurun.
- Testere zinciri yağ tankının kapağını tekrar takın.

## Çalıştırma ve durdurma

### Motoru çalıştırmadan önce

- Üründe eksik, hasarlı, gevşek veya aşınmış parçalar olup olmadığını kontrol edin.
- Somun, vida ve civataları kontrol edin.
- Hava filtresini kontrol edin.
- Tetik kilidinin ve tetiğin düzgün çalışıp çalışmadığını kontrol edin.
- Durdurma düğmesinin düzgün çalışıp çalışmadığını kontrol edin.
- Üründe yakıt sızıntısı olup olmadığını kontrol edin.
- Testere zincirinin keskinlik ve gerginliğini kontrol edin.

### Soğuk motoru çalıştırma

- Zincir frenini etkinleştirmek için ön el koruyucusunu ileri hareket ettirin. (Şek. 47)
- Primer ampulüne 6 kez basın. (Şek. 48)
- Jikle kontrolünü tam jikle konumuna getirin. (Şek. 49)
- Sol elinizle ürünün gövdesini zeminin üzerinde tutun. Motorlu testereyi dengede tutmak için sağ ayağınızı arka tutma yerine koyun. Biraz direnç hissedene kadar çalıştırma ipi kolunu yavaşça çekin. Daha sonra çalıştırma ipi tutacağını güçlü bir şekilde 5 kez çekin. (Şek. 50)

**Not:** Motoru çalıştırırken tetiği çekmeyin.

- Jikle kontrolünü sıfır jikle konumuna getirin.
- Motor çalışana kadar çalıştırma ipi kolunu çekin. Motor çalıştıktan sonra tetiği çekmeden önce 60 saniye bekleyin.



**DİKKAT:** Motor durana kadar çalıştırma ipini çekmeyin. Tamamen çekilmiş durumdayken çalıştırma ipini bırakmayın. Çalıştırma ipini yavaşça serbest bırakın. Motorun hasar görmesini önlemek için bu talimatlara uyun.

- Zincir frenini devre dışı bırakmak için ön el koruyucusunu ön tutma yerinin yönünde çekin.
- Arka tutma yerini sağ elinizle, ön tutma yerini sol elinizle tutun.
- Ürünü kullanın.

### Sıcak motoru çalıştırma

- Zincir frenini etkinleştirmek için ön el koruyucusunu ileri hareket ettirin.
- Primer ampulüne 6 kez basın.
- Jikle kontrolünü tam jikle konumuna getirin.
- Jikle kontrolünü sıfır jikle konumuna getirin.
- Sol elinizle ürünün gövdesini zeminin üzerinde tutun. Motorlu testereyi dengede tutmak için sağ ayağınızı

arka tutma yerine koyun. Biraz direnç hissedene kadar çalıştırma ipi kolunu yavaşça çekin. Ardından, motor çalışana kadar çalıştırma ipi kolunu güçlü bir şekilde çekin. (Şek. 51 )

**Not:** Motoru çalıştırırken tetiği çekmeyin.



**DİKKAT:** Motor durana kadar çalıştırma ipini çekmeyin. Tamamen çekilmiş durumdayken çalıştırma ipini bırakmayın. Çalıştırma ipini yavaşça serbest bırakın. Motorun hasar görmesini önlemek için bu talimatlara uyun.

6. Zincir frenini devre dışı bırakmak için ön el koruyucusunu ön tutma yerine doğru çekin.
7. Arka tutma yerini sağ elinizle, ön tutma yerini sol elinizle tutun.
8. Ürünü kullanın.

## Yakıt çok sıcak olduğunda motoru çalıştırmak için

Ürün çalışmazsa yakıt çok sıcak olabilir.

**Not:** Her zaman yeni yakıt kullanın ve sıcak havada çalışma süresini azaltın.

1. Ürünü doğrudan güneş ışığından uzakta serin bir yere koyun.
2. Ürünün en az 20 dakika soğumasını bekleyin.
3. Hava alma haznesine 10-15 saniye boyunca tekrar tekrar basın.
4. Soğuk motoru çalıştırma prosedürüne uyun. Bkz. *Soğuk motoru çalıştırma sayfa: 393.*

## Motorun durdurulması

- Motoru durdurmak için durdurma anahtarına basın.

**Not:** Durdurma düğmesi, otomatik olarak ilk konumuna geri döner.

## Mahmuz kullanmak için

Mahmuz, geri tepmeyi önler ve kestiğiniz sırada ağacı tutar. Mahmuz, motor gövdesiyle kılavuz çubuğu arasında bir hareket eksenidir.

1. Mahmuzun alt ucunu doğru eklem genişliğinde yerleştirin.
2. Sol elinizle ön tutma yerine bastırırken sağ elinizle arka tutma yerini kaldırın.
3. Doğru eklem genişliğini elde edene kadar testereyle kesin.

**Not:** Eklem eşit kalınlıkta olmalıdır.

4. Çapın yarısından fazlasını kesip testere kesliğine devirme kamasını yerleştirin.

## Ağacı devirmek için

1. Ağaçtaki toprak, taş, gevşek ağaç kabukları, çivi, zimba ve telleri çıkartın.
2. Düşme yönüne dik olarak ağaç çapının 1/3'ü oranında bir çentik açın.(Şek. 52 )
3. Alt yatay çentik kesimini yapın. Bu, ikinci çentik açıldığında testere zincirinin veya kılavuz çubuğunun sıkışmasını önler.
4. Arkaya devirme kesliğini (X) yatay çentik açma kesliğinden en az 50 mm (2 inç) yükseğe yapın. Destek işlevi görecektir kadar ağaç kalması için arkaya devirme kesliğinin yatay çentik açma kesliğine paralel olmasını sağlayın. Eklemi tamamen kesmeyin. Destek ağaç parçası, ağacın dönerken yanlış yönde düşmesini önler.(Şek. 53 )(Şek. 54 )
5. Arkaya devirme kesliği eklemeye yaklaştıkça ağaç düşmeye başlar. Ağacın doğru yönde düşebildiğinden, arkaya doğru sallanarak testere zincirini sıkıştırmadığından emin olun. Bunu önlemek için arkaya devirme kesliği tamamlanmadan kesimi durdurun. Kesliği açmak ve ağacın gereken düşme hattı boyunca düşmesini sağlamak için tahta, plastik veya alüminyum kamalar kullanın.(Şek. 55 )
6. Ağaç düşmeye başladığında, ürünü kesikten çıkarın, motoru durdurun, ürünü yere koyun, ardından planlanan geri çekilme yolunu kullanın. Yukarıdan düşen dallara dikkat edin ve bastığınız yere bakın. (Şek. 56 )

## Ağacı parçalamak için

1. Kütüğü yerden ayırmak için büyük parçalar kullanın.
2. Küçük dalları tek seferde kesin.(Şek. 57 )
3. Testere zincirinin veya kılavuz çubuğunun sıkışmasını önlemek için gergin dalları alttan üste doğru kesin.

## Kütük doğramak için



**DİKKAT:** Testere zincirinin yere değmesine izin vermeyin.

- Kütük boydan boya destekleniyorsa üst kısımdan kesin (üstten doğrama olarak bilinir).(Şek. 58 )
- Kütük bir ucundan destekleniyorsa alt kısımdan çapının 1/3'ünü kesin (alttan doğrama olarak bilinir). (Şek. 59 )
- Kütük iki ucundan destekleniyorsa üstten çapın 1/3'ünü kesin. Kesliği, ilk kesikle birleşecek şekilde kütüğün 2/3'lük kısmını alttan doğrayarak tamamlayın.(Şek. 60 )
- Eğimli bir yüzeyde kütük doğrama işlemi yapıyorsanız mutlaka kütüğün yokuş yukarı tarafında durun. Ürün tamamen kontrolünüzde olacak şekilde kütüğü kesin, ardından arka ve ön tutma yerlerini sıkıca kavrayarak kesimin sonuna doğru kesme basıncını azaltın.(Şek. 61 )



**UYARI:** Ürünü temizlemeden, ürün üzerinde onarım veya bakım işlemi yapmadan önce güvenlik bölümünü okuyup anlayın.

## Bakım takvimi

Bakım takvimine uyduğunuzdan emin olun. Bakım aralıkları, ürünün günlük kullanımına göre hesaplanır. Ürünü her gün kullanmıyorsanız aralıklar farklı olur. Yalnızca bu kılavuzda bulunan bakım çalışmalarını gerçekleştirin. Bu kılavuzda bulunmayan diğer bakım çalışmaları için onaylı bir servis merkeziyle görüşün.

## Günlük bakım

- Dış yüzeyleri temizleyin.
- Kilidin ve tetiğin düzgün çalıştığından emin olun.
- Zincir frenini temizleyin ve düzgün çalıştığından emin olun.

(Şek. 62 )

- Zincir yakalayıcıda hasar olup olmadığını kontrol edin. Hasarlıysa zincir yakalayıcıyı değiştirin.

(Şek. 63 )

- Daha eşit bir şekilde aşınması için kılavuz çubuğunu her gün çevirin.
- Kılavuz çubuğundaki yağlama deliğinin tıkalı olmadığından emin olun.

(Şek. 64 )

- Kılavuz çubuğu oluşunu temizleyin.

(Şek. 65 )

- Kılavuz çubuğunun ve testere zincirinin yeterince yağlandığından emin olun.
- Testere zincirinde şunların olup olmadığını kontrol edin:
  - perçin ve bağlantılarda çatlaklar.
  - anormal bir şekilde aşınmış perçinler ve bağlantılar.
  - doğru gerginlik.

Gerekirse testere zincirini değiştirin.

- Testere zincirini bileyin. Bkz. *Testere zincirini bileylemek için sayfada: 396.*
- Tahrik dişlisinde aşırı aşınma olup olmadığını inceleyin ve gerekirse değiştirin.

(Şek. 66 )

- Marş ünitesinin hava girişini temizleyin.
- Somun ve vidaların sıkı olduğundan emin olun.
- Durdurma anahtarının doğru şekilde çalıştığından emin olun.
- Motor, tank ve yakıt hatlarında yakıt sızıntısı olup olmadığını kontrol edin.
- Motor rölantide olduğunda testere zincirinin dönmeliğinden emin olun.

## Haftalık bakım

- Soğutma sisteminin düzgün çalıştığından emin olun.
- Marş ünitesinin, çalıştırma ipinin ve geri dönüş yayının düzgün çalıştığından emin olun.
- Titreşim azaltma elemanlarında hasar olmadığından emin olun.

(Şek. 67 )

- Kılavuz çubuğunun kenarlarındaki çapakları eğeyle giderin.
- Susturucudaki kıvılcım önleyici siperliği temizleyin veya değiştirin.

(Şek. 68 )

- Karbüratörün dış yüzeylerini ve yanındaki alanları temizleyin.
- Hava filtresini temizleyin. Hasarlı veya tamamen temizlenemeyecek kadar kirliyse yeni bir hava filtresi takın. Daha fazla bilgi için *Hava filtresinin temizlenmesi sayfada: 396* bölümüne bakın.

## Aylık bakım

- Zincir frenindeki fren balatasında aşınma olup olmadığını kontrol edin. Fren balatasının kalınlığı, en aşınmış noktada 0,6 mm'den (0,024 inç) azsa fren balatasını değiştirin.

(Şek. 69 )

- Kavrama merkezinde, kavrama tamburunda ve kavrama yayında aşınma olup olmadığını kontrol edin.
- Bujiyi temizleyin. Elektrot boşluğunun doğru olduğundan emin olun.

(Şek. 70 )

- Karbüratörün dış yüzeylerini ve yanındaki alanları temizleyin.
- Yakıt filtresini ve yakıt hortumunu kontrol edin. Gerekirse değiştirin.
- Yakıt tankını boşaltın.
- Yağ tankını boşaltın.
- Tüm kabloları ve bağlantıları kontrol edin.

## Yıllık bakım

- Bujiyi kontrol edin.
- Karbüratörün dış yüzeylerini ve yanındaki alanları temizleyin.
- Soğutma sistemini temizleyin.
- Kıvılcım önleyici siperliği kontrol edin.
- Yakıt filtresini kontrol edin.
- Yakıt hortumunda hasar olup olmadığını kontrol edin.
- Tüm kabloları ve bağlantıları kontrol edin.

## Aralıklı bakım

- 50 çalışma saatinden sonra, onaylı bir servis merkezinde susturucunun onarılmasını veya değiştirilmesini sağlayın.
- Şu durumlarda bujiye bakım yapın:
  - motordaki güç seviyesi düşük olduğunda.
  - motor zor çalıştırıldığında.
  - motor, rölantide düzgün çalışmıyorsa.
- Her yakıt doldurduğunuzda testere zinciri yağlamasını kontrol edin. Bkz. *Testere zinciri yağlamasını kontrol etmek için sayfada: 397.*

## Rölantinin ayarlanması

Rölantiyi ayarlamadan önce hava filtresinin temiz ve hava filtresi kapağının takılı olduğundan emin olun.

1. "T" işaretiyle belirlenen rölanti ayar vidasını, testere zinciri dönmeye başlayana kadar saat yönünde çevirin.
2. "T" işaretiyle belirlenen rölanti ayar vidasını, testere zinciri durana kadar saat yönünün tersine çevirin.
3. Testere zinciri dönmeye başladığında rölanti, devirden düşük olmalıdır. Motorun her konumda sorunsuz çalışması rölantinin doğru ayarlandığı anlamına gelir.

## Kıvılcım önleyici siperliği temizlemek için

1. Kıvılcım önleyici siperliği temizlemek için bir tel fırça kullanın.

## Bujiye bakım yapmak için



**DIKKAT:** Önerilen bujiyi kullanın. Yedek parçanın üretici tarafından sağlanan parçayla aynı olduğundan emin olun. Yanlış buji, ürüne zarar verebilir.

1. Ürünü çalıştırmak veya kullanmak zorsa bujide istenmeyen nesnelere olup olmadığını kontrol edin. Buji elektrotlarında istenmeyen nesne riskini azaltmak için:
  - a) Rölanti hızının doğru ayarlandığından emin olun.
  - b) Yakıt karışımının doğru ayarlanmış olduğundan emin olun.
  - c) Hava filtresinin temiz olduğundan emin olun.
2. Buji kirliyse bujiyi temizleyin. Elektrot boşluğunun doğru olduğundan emin olun.(Şek. 71 )
3. Gerekirse bujiyi değiştirin.

## Hava filtresinin temizlenmesi

1. Hava filtresi kapağını ve hava filtresini çıkarın.
2. Hava filtresini ılık, sabunlu suyla temizleyin. Takmadan önce hava filtresinin kuru olduğundan emin olun.

3. Tamamen temizlenmeyecek kadar kirlenmişse hava filtresini değiştirin. Hasar görmüş hava filtrelerini daima değiştirin.

## Testere zincirini bileylemek için

### Testere

Testere zincirinin kesmeye yarayan kısmına testere adı verilir ve bu parça kesme dişiyle (A) derinlik ölçeğinden (B) oluşur. Testerenin kesim derinliği, ikisinin arasındaki yükseklik farkı olan derinlik ölçeği ayarıyla (C) belirlenir.

(Şek. 72 )

Bir kesme dişini bilediğinizde, hatırlamanız gereken dört önemli faktör vardır:

- Eğeleme açısı.

(Şek. 73 )

- Kesme açısı.

(Şek. 74 )

- Eğe konumu.

(Şek. 75 )

- Yuvarlak eğe çapı.

(Şek. 76 )

### Kesme dişlerini bilemek için

Kesme dişlerini bilemek için yuvarlak bir eğe ve eğe mastarı kullanın. Ürünüze takılan testere zincirine yönelik tavsiye edilen eğe ve mastar boyutları hakkında bilgi için *Testere zinciri eğesi ve testere zinciri kombinasyonları sayfada: 399* bölümüne bakın.

1. Testere zincirinin doğru gerginlikte olduğundan emin olun. Gevşek zincir, yana doğru hareket ederek doğru bir şekilde bilemeyi güçleştirir.
2. Önce bir taraftaki tüm dişleri eğeleyin. İç yüzdeki kesme dişlerini eğeleyin ve geri dönüş darbesi üzerindeki basıncı azaltın.
3. Ürünü ters çevirin ve diğer taraftaki dişleri eğeleyin.
4. Tüm dişleri aynı uzunluk olacak şekilde eğeleyin. Kesme dişlerinin uzunluğu 4 mm'ye (5/32") indiğinde, testere zinciri aşınmıştır ve değiştirilmelidir.(Şek. 77 )

### Derinlik ölçeği ayarını düzenlemek için

Derinlik ölçeği ayarını belirlemeden önce kesme dişlerini bileyin. Bkz. *Kesme dişlerini bilemek için sayfada: 396.* Kesme dişini (A) bilediğinizde derinlik ölçeği ayarı (C) azalır. Optimum kesme performansının korunması için önerilen derinlik ölçeği ayarının elde edilmesi amacıyla derinlik ölçeğinin (B) eğelenmesi gerekir. Kendi zincirinize yönelik doğru derinlik ölçeği ayarını bulmak için *Testere zinciri eğesi ve testere zinciri kombinasyonları sayfada: 399* bölümüne bakın. (Şek. 78 ) (Şek. 79 )

**Not:** Bu tavsiyede, kesme diři uzunluęunun fazla azaltılmadıęı varsayılmaktadır.

Derinlik ölçęini ayarlamak için düz eęe ve derinlik ölçme aracı kullanın.

1. Derinlik ölçme aracını testere zincirinin üzerine koyun. Derinlik ölçme aracının ambalajında nasıl kullanılacağı hakkında kapsamlı bilgi bulabilirsiniz.
2. Derinlik ölçęinin derinlik ölçme aracından dışarı çıkan ucunu düzeltmek için düz eęeyi kullanın. Eęeyi derinlik ölçme aracından çekerken direnç hissetmedięinizde derinlik ölçęi ayarı doğrudur.

### Testere zincirin gerginlięini ayarlamak için

**Not:** Alıştırma döneminde yeni testere zincirinin gerginlięini sık sık kontrol edin.

1. Pinyon kapaęını tutan kılavuz çubuęu somunlarını gevşetin. Kombine anahtarını kullanın. (Şek. 80 )
2. Kılavuz çubuęu somunlarını elinizle mümkün olduęunca sıkın.
3. Kılavuz çubuęunun üst kısmını kaldırın ve zincir gerdirme vidasını sıkarak testere zincirini uzatın. Kombine anahtarını kullanın. Testere zincirini kılavuz çubuęunun altından sarkmayacak kadar sıkın. (Şek. 81 )
4. Kombine anahtarını kullanarak kılavuz çubuęu somunlarını sıkın ve aynı anda kılavuz çubuęunun ucunu kaldırın. (Şek. 82 )

5. Testere zincirini elinizle serbestçe çekerek döndürebildięinizden ve zincirin aşağı sarkmadıęından emin olun.(Şek. 83 )

### Kesme ekipmanını yağlamak için

#### Testere zinciri yağlamasını kontrol etmek için

Her yakıt doldurduęunuzda motorlu testerenin yağlamasını kontrol edin.

1. Ürünü açın ve 3/4 hızda çalıştırın. Kılavuz çubuęunun ucunu yaklaşık 20 cm (8 inç) uzaktaki açık renkli bir yüzeye doğrultun.
2. 1 dakika çalıştırdıktan sonra, açık renkli yüzeyde bir yağ hattı görülür.
3. 1 dakika sonra yağ hattını göremezseniz kılavuz çubuęunun yağ kanalını temizleyin. Kılavuz çubuęunun kenarındaki oluęu temizleyin. Kılavuz çubuęunun kılavuz makarasının serbestçe döndüęünden ve yağlama delięinde hiçbir engel olmadıęından emin olun. Uç pinyonunu temizleyin ve yağlayın.
4. Ürünü açın ve 3/4 hızda çalıştırın. Çubuęun ucunu yaklaşık 20 cm (8 inç) uzaktaki açık renkli bir yüzeye doğrultun.
5. 1 dakika çalıştırdıktan sonra, açık renkli yüzeyde bir yağ hattı görülür.
6. 1 dakika sonra yağ hattını göremezseniz yetkili bayinizle görüőün.

## TAŐIMA

- Taşıma öncesinde yakıt ve zincir yaęı tanklarını boşaltın. Kullanılmıő sıvıları gerektięi gibi atın.
- Taşıma sırasında kesme ataőmanının üzerine kılavuz çubuęu kapaęını koyun. Bu, kiőilerin kazara keskin testere zincirine dokunmasını önler. Çalışmayan bir testere zinciri, keskin tarafına dokunulduęunda sizin veya başka kiőilerin yaralanmasına neden olabilir.
- Taşıma öncesinde buji kapaęını çıkarın ve zincir frenini etkinleőtirin.
- Taşıma sırasında ürünün yerinden hareket edemedięinden emin olun.

## SAKLAMA

- Çalışmadıęında, ürünü her zaman güvenli bir şekilde saklayın. Üründen çıkan sızıntılar ve dumanlar; elektrikli ekipmanlar, elektrikli çim biçme makineleri, röleler/anahtarlar, kazanlar gibi kaynaklardan gelen kıvılcımlara ve çıplak alevlere temas edebilir.
- Yakıtı her zaman onaylı bir konteynerde saklayın.
- Ürün uzun bir süre depoda kalacaksa yakıt ve zincir yaęı tanklarını boşaltın. Kullanılmıő sıvıları gerektięi gibi atın.
- Saklama sırasında, kılavuz çubuęunun üzerine kapaęını takın. Bu, kiőilerin keskin testere zincirine dokunmasını önler. Çalışmayan bir testere zinciri, keskin tarafına dokunulduęunda sizin veya başka kiőilerin ciddi şekilde yaralanmasına neden olabilir.
- Saklama öncesinde buji kapaęını çıkarın ve zincir frenini etkinleőtirin.

# TEKNİK VERİLER

	birim	120 Mark II (P02138HV)
<b>Motor teknik özellikleri</b>		
Silindir hacmi	cm <sup>3</sup>	38
Buji		Champion RCJ7Y
Elektrot boşluğu	mm (inç)	0,5 (0,02)
Yakıt tankı hacmi	cm <sup>3</sup>	300
Rölanti devri	dak <sup>-1</sup>	2800-3200
9000 dak <sup>-1</sup> 'da güç çıkışı	kW	1,4
Emisyon dayanıklılığı süresi	saat	50
<b>Gürültü ve titreşim verileri</b>		
Eşdeğer titreşim seviyeleri, h <sub>veq</sub> ön tutma yeri <sup>131</sup>	m/sn <sup>2</sup>	4,5
Eşdeğer titreşim seviyeleri, h <sub>veq</sub> arka tutma yeri <sup>132</sup>	m/sn <sup>2</sup>	6,0
Ses gücü seviyesi, garanti edilmiş (L <sub>WA</sub> ) <sup>133</sup>	dB(A)	116
Ses gücü seviyesi, ölçülen <sup>134</sup>	dB(A)	110
Operatörün kulağındaki ses basıncı seviyesi <sup>135</sup>	dB(A)	95
<b>Ürün boyutları</b>		
Ağırlık (kesme donanımı hariç)	kg	4,9
Yağ deposu hacmi	cm <sup>3</sup>	200
<b>Yakıt ve yağlama sistemi</b>		
9000 dak <sup>-1</sup> 'da yağ pompası kapasitesi	ml/dak	7
Yağ deposu hacmi	cm <sup>3</sup>	200
Yağ pompası türü		Otomatik
<b>Testere zinciri ve kılavuz çubuğu</b>		
Standart kılavuz çubuğu uzunluğu	cm (inç)	35-40 (14-16)
Önerilen kılavuz uzunlukları	cm (inç)	35-45 (14-18)
Kullanılabilir kesme uzunluğu	cm (inç)	34-39 (13,5-15,5)

<sup>131</sup> ISO 22867'ye göre, eş değer vibrasyon seviyesi, çeşitli çalışma koşulları altındaki vibrasyon seviyeleri için zaman ağırlıklı enerji toplamı olarak hesaplanır. Eş değer titreşim seviyesi için bildirilen verilerin tipik istatistik dağılımı (standart sapması) 1 m/s<sup>2</sup> şeklindedir.

<sup>132</sup> ISO 22867'ye göre, eş değer vibrasyon seviyesi, çeşitli çalışma koşulları altındaki vibrasyon seviyeleri için zaman ağırlıklı enerji toplamı olarak hesaplanır. Eş değer titreşim seviyesi için bildirilen verilerin tipik istatistik dağılımı (standart sapması) 1 m/s<sup>2</sup> şeklindedir.

<sup>133</sup> Çevredeki gürültü emisyonları, ses gücü (L<sub>WA</sub>) olarak ölçülmüştür.

<sup>134</sup> Çevredeki gürültü emisyonları, ses gücü (L<sub>WA</sub>) olarak ölçülmüştür.

<sup>135</sup> Eşdeğer ses basınç seviyesi, çeşitli çalışma koşullarında farklı ses basınç seviyeleri için zaman ağırlıklı enerji toplamı olarak hesaplanır. Eşdeğer ses basıncı seviyesi için tipik istatistik dağılımı, 1 dB(A) değerinde bir standart sapmadır.

	<b>birim</b>	<b>120 Mark II (P02138HV)</b>
Maksimum testere zinciri hızı	m/sn	22,3
Testere zinciri bakla açıklığı	mm (inç)	8,3 (0,325) 9,52 (3/8)
Tahrik bağlantılarının kalınlığı (kılavuz)	mm (inç)	1,3 (0,05)
Tahrik dişlisi tipi		Destek
Tahrik dişlisinin diş sayısı		6 (tahrik dişlisi 3/8) 7 (tahrik dişlisi 0,325)

## AKSESUARLAR

### Kılavuz çubuğu ve testere zinciri kombinasyonları

Aşağıdaki kesme ataşmanlarının bu ürünle kullanımı onaylanmıştır.

Kılavuz çubuk/uç			Testere zinciri		
Uzunluk, cm (inç)	Diş aralığı, mm (inç)	Kılavuz, mm (inç)	Maksimum burun yarıçapı	Tip	Zincir dişlisi sayısı
33 (13)	8,25 (0,325)	1,3 (0,050)	10T	Husqvarna H30	56
38 (15)	8,25 (0,325)				64
35 (14)	9,52 (3/8)		7 T	Husqvarna H37	52
40 (16)	9,52 (3/8)				56
45 (18)	9,52 (3/8)				62

### Testere zinciri eğesi ve testere zinciri kombinasyonları

Testere zinciri					
Zincir türü	Yuvarlak eğe boyutu	Yan plaka açısı	Üst plaka açısı	Eğme kılavuz açısı	Derinlik ölçeği ayarı
H30	3/16 inç / 4,8 mm	60°	30°	10°	0,025 inç / 0,65 mm
H37	5/32 inç / 4,0 mm	60°	30°	0°	0,025 inç / 0,65 mm

# AT UYUMLULUK BİLDİRİMİNİN İÇERİĞİ

Husqvarna AB, SE 561 82 Huskvarna, İSVEÇ olarak, sunulan ürünün tek sorumlusu olma vasfıyla aşağıdaki beyanlarda bulunmaktayız:

Açıklama	Benzin motorlu testere
Marka	Husqvarna
Platform / Tür / Model	120 Mark II modelini temsil eden P02138HV platformu
Parti	2018 ve daha ileri tarihli seri numaraları

aşağıdaki AB direktifleri ve düzenlemeleriyle tamamen uyumludur:

Direktif/Düzenleme	Açıklama
2006/42/AT	"makinelerle ilgili"
2014/30/AB	"elektromanyetik uyumlulukla ilgili"
2000/14/EC	"açık alanda gürültüyle ilgili"

Uygulanan uyumlulaştırılmış standartlar ve/veya teknik özellikler şu şekildedir: EN ISO 12100, EN ISO 11681-1, CISPR 12, ISO 14982

2000/14/AT direktifi Ek V uyarınca beyan edilen ses değerleri, bu kılavuzun teknik veriler kısmında ve imzalı AT Uyumluluk Bildirimi'nde belirtilmiştir.

Makine Alanında Onaylanmış Kuruluş (onay numarası: 0197) TÜV Rheinland LGA Products GmbH, Tillystraße 2 - 90431 Nürnberg, Almanya; 2006/42/EC, 12. bendi 3b maddesi gereğince AT tip incelemesi yapmıştır.

Tip incelemesi sertifikası, ek IX uyarınca, imzalı Uyumluluk Bildirimi'nde sağlandığı haliyle tüm üretim yerleri ve Menşe Ülkeleri için üründe belirtildiği şekilde geçerlidir.

Bu motorlu testere AT tip incelemesinden geçmiş örneğe uygundur.



---

## Зміст

---

ВСТУП.....	401	ТРАНСПОРТУВАННЯ.....	412
БЕЗПЕКА.....	402	ЗБЕРІГАННЯ.....	412
ЗБИРАННЯ.....	406	ТЕХНІЧНІ ХАРАКТЕРИСТИКИ.....	413
ЕКСПЛУАТАЦІЯ.....	407	АКСЕСУАРИ.....	414
ТЕХНІЧНЕ ОБСЛУГОВУВАННЯ.....	409	ЗМІСТ ДЕКЛАРАЦІЯ ВІДПОВІДНОСТІ ЕС.....	415

---

## ВСТУП

---

### Посібник користувача

Оригінальна мова посібника користувача – англійська. Посібники користувача іншими мовами є перекладами англійського оригіналу.

### Огляд

(Мал. 1 )

1. Заводська табличка з серійним номером
2. Елемент блокування курка
3. Передня рукоятка
4. Кришка циліндра
5. Ланцюгове гальмо та передній захисний щиток
6. Глушник
7. Шпичастий буфер
8. Носова зірочка пильної шини
9. Правосторонній кожух
10. Курок
11. Кришка зірочки
12. Обмежувач ланцюга
13. Пилкова шина
14. Пилковий ланцюг
15. Ручка стартера
16. Масляний бак мастила для ланцюга
17. Стартер
18. Паливний бак
19. Керування заслінкою.
20. Задня ручка
21. Вимикач
22. Гвинт регулювання холостого ходу
23. Кнопка насоса
24. Інформаційна й попереджувальна наклейка
25. Гвинт натягування ланцюга
26. Чохол пилкової шини
27. Комбінований інструмент
28. Мастило для двотактних двигунів
29. Інструкція з експлуатації (EPA)

### Символи на виробі

(Мал. 2 ) Попередження

- (Мал. 3 ) Прочитайте цей посібник
- Використовуйте сертифіковані засоби захисту голови, органів слуху та очей
- (Мал. 4 ) Використовуйте відповідні захисні рукавиці
- (Мал. 5 ) Виріб відповідає належним вимогам директив ЄС
- (Мал. 6 ) Рівень звукової потужності
- (Мал. 7 ) Гальмо ланцюга, не задіяне (ліворуч).  
Гальмо ланцюга, задіяне (праворуч)
- (Мал. 8 ) Керування заслінкою
- (Мал. 9 ) Кнопка насоса
- (Мал. 10 ) Заправлення
- (Мал. 11 ) Отвір для змащення ланцюга
- (Мал. 12 ) Виріб відповідає вимогам застосовних директив ЕАС
- (Мал. 13 ) Виріб відповідає вимогам застосовних директив України
- (Мал. 14 ) Рівень шуму
- (Мал. 15 ) Міцно тримайте виріб обома руками
- (Мал. 16 ) Не працюйте з виробом, тримаючи його однією рукою
- (Мал. 17 ) Уникайте контакту з верхньою частиною пильної шини
- (Мал. 18 ) Остерігайтеся віддачі
- (Мал. 19 )

Виріб відповідає вимогам застосованих директив Австралії й Нової Зеландії про електромагнітну сумісність (Мал. 20)

**Зверніть увагу:** Інші позначення на виробі відповідають вимогам спеціальних сертифікатів для інших торгових зон.

## Відповідальність за якість продукції

Відповідно до законів про відповідальність за якість продукції ми не несемо відповідальності за будь-які

пошкодження, спричинені роботою наших виробів, якщо:

- виріб був неправильно відремontований;
- виріб був відремontований із використанням деталей, виготовлених не виробником або не затверджених ним;
- виріб обладнаний аксесуаром, виготовленим не виробником або не затвердженим ним;
- виріб був відремontований у неавторизованому сервісному центрі або неавторизованою компанією;

# БЕЗПЕКА

## Визначення щодо безпеки

Визначення, наведені нижче, пояснюють рівень серйозності кожного сигнального слова.



**ПОПЕРЕДЖЕННЯ:** Небезпека травми для людини.



**УВАГА:** Небезпека пошкодження виробу.

**Зверніть увагу:** Ця інформація спрощує використання виробу.

## Загальні правила техніки безпеки

- Використовуйте виріб правильно. Неправильне використання може призвести до травм або смерті. Використовуйте виріб лише для завдань, перелічених у цьому посібнику. Забороняється використовувати продукт для інших завдань.
- Уважно прочитайте інструкції, наведені в цьому посібнику, і дотримуйтеся їх. Дотримуйтеся інструкцій, зазначених на попереджувальних знаках та в правилах техніки безпеки. Недотримання оператором інструкцій, зазначених на попереджувальних знаках та в правилах техніки безпеки, може призвести до травм, пошкоджень або смерті.
- Не викидайте цей посібник. Користуйтеся інструкціями для монтажу, експлуатації та підтримки виробу в задовільному стані. Користуйтеся інструкціями для правильного встановлення насадок та приладдя. Використовуйте лише сертифіковані насадки та приладдя.
- Не користуйтеся пошкодженим виробом. Дотримуйтеся графіка технічного обслуговування. Виконуйте лише те обслуговування, для якого наведені інструкції в цьому посібнику. Все інше обслуговування

повинне виконуватися в авторизованому сервісному центрі.

- Цей посібник не включає всі ситуації, що можуть статися під час використання виробу. Будьте обережні та дотримуйтеся здорового глузду. Не експлуатуйте виріб та не виконуйте технічне обслуговування в разі, якщо ви не можете розібратися в поточній ситуації. Більш детальну інформацію можна дізнатися в експерта з продукції, вашого дилера, центру обслуговування або в авторизованому сервісному центрі.
- Перед монтажем, зберіганням або технічним обслуговуванням необхідно виймати свічку запалювання.
- Не використовуйте виріб у разі зміни його початкових технічних характеристик. Не замінюйте деталі виробу без дозволу виробника. Використовуйте лише сертифіковані виробником деталі. Неправильне технічне обслуговування може призвести до травм або смерті.
- Не вдихайте вихлопні гази, що виходять з двигуна. Вдихання вихлопних димів двигуна, аерозолі оливи для ланцюга й тирси протягом тривалого часу може бути небезпечним для здоров'я.
- Не вмийте виріб у приміщенні чи біля легкозаймистих матеріалів. Вихлопні гази мають високу температуру та можуть містити іскри, від яких можливе загоряння. Недостатнє провітрювання може призвести до травм або смерті внаслідок удушення чи отруєння монооксидом вуглецю.
- Під час роботи цього виробу утворюється електромагнітне поле. Електромагнітне поле може пошкодити медичні імплантати. Перш ніж працювати з цим приладом, проконсультуйтеся з лікарем і виробником медичного імплантату.
- Не давайте використовувати прилад дітям.
- Не давайте використовувати прилад особам, що не ознайомилися з інструкціями.
- Завжди наглядайте за особами з обмеженими фізичними чи розумовими можливостями, що використовують виріб. Біля виробу, що працює, повинна завжди знаходитися відповідальна доросла особа.

- Зачинайте виріб у місці, куди не зможуть отримати доступ діти та особи без належної підготовки.
- З під виробу можуть викидатися предмети, що може призвести до травм. Для зменшення ризику травм або смерті дотримуйтеся правил техніки безпеки.
- Не відходьте далеко від працюючого виробу. Зупиніть двигун і переконайтеся, що ланцюг не обертається.
- У разі нещасного випадку відповідальність несе оператор.
- Перед використанням виробу переконайтеся, що його деталі не мають пошкоджень.
- Дотримуйтеся державного та місцевого законодавства. Норми законодавства можуть забороняти або обмежувати використання виробу в деяких умовах.

## Правила техніки безпеки під час використання виробу

- Тривала або регулярна робота з виробом може призвести до синдрому білих пальців або іншим хворобам через вібрацію. У разі тривалої або регулярної експлуатації виробу перевіряйте стан своїх рук та пальців. Якщо колір ваших рук або пальців змінився, ви відчуваєте в них біль, поколювання або оніміння, припиніть роботу та негайно зверніться до лікаря.
- Перед використанням переконайтеся, що виріб повністю змонтований.
- З-під виробу можуть викидатися предмети, що може призвести до пошкодження очей. Під час експлуатації виробу завжди користуйтеся відповідними засобами захисту очей.
- Будьте обережні, адже під час експлуатації виробу до вас може без дозволу підійти дитина.
- Не використовуйте виріб, якщо на робочій ділянці знаходяться люди. Зупиніть виріб у разі, якщо на робочу ділянку зайшла особа.

(Мал. 21 )

- Завжди контролюйте місце знаходження виробу.
- Під час роботи виріб слід тримати обома руками. Не працюйте з виробом, тримаючи його однією рукою. Це може призвести до серйозної травми оператора, робітників чи сторонніх осіб.
- Тримайте передню ручку лівою рукою, а задню – правою. Тримайте виріб праворуч від вашого тіла.

(Мал. 22 )

- Не використовуйте виріб, якщо ви втомлені, хворі чи перебуваєте під впливом алкоголю або інших наркотичних речовин.
- Не використовуйте виріб, якщо немає змоги отримати допомогу в разі нещасного випадку. Перед початком експлуатації виробу повідомте про це оточуючим.

- Не обертайтеся разом з виробом, доки не переконаєтеся, що люди або тварини знаходяться в безпечній зоні.
- Перед початком роботи приборіть всі непотрібні предмети з робочої ділянки. Якщо ланцюг натрапить на якийсь предмет, він може відлетіти й призвести до травм або пошкоджень. Непотрібні предмети можуть намотатися на ланцюг і призвести до пошкоджень.
- Не користуйтеся виробом у погану погоду, наприклад у разі туману, дощу, сильного вітру, якщо є ризик виникнення блискавки або за інших несприятливих погодних умов. Погана погода може стати причиною небезпечних умов роботи, таких як слизькі поверхні.
- Переконайтеся, що ви можете вільно переміщуватися та працювати, зберігаючи стабільне положення.
- Переконайтеся, що під час використання виробу ви не впадете. Не нахиляйтеся під час експлуатації виробу.
- Завжди утримуйте виріб обома руками. Тримайте передню ручку лівою рукою, а задню – правою. Тримайте виріб праворуч від вашого тіла.
- Якщо в момент запуску двигуна вахіль заслінки знаходиться в положенні заслінки, ланцюг почне обертатися.
- Перед переміщенням виробу зупиняйте двигун.
- Не кладіть працюючий виріб на землю.
- Перш ніж видалити сторонні матеріали з виробу, зупиніть двигун. Дочекайтеся зупинки ланцюга перед тим як ви або ваш помічник почнете прибирати зрізаний матеріал.
- Забороняється користуватися виробом на дереві. Використання виробу на дереві може призвести до травмування.

(Мал. 23 )

- Під час запуску виробу гальмо ланцюга має бути задіяне, адже це зменшує ризик торкання ланцюга пилки.

(Мал. 24 )

- Уникайте відсакування, зісковзування, підстрибування й падіння пилки, адже це може призвести до серйозної травми.
- Щоб попередити відсакування та інші рухи, що можуть призвести до серйозної травми, дотримуйтеся інструкцій техніки безпеки.
- Регулярно регулюйте натяг ланцюга пилки, щоб вона не послаблювалася. Натягнутий ланцюг пилки може зіскочити та спричинити серйозні або смертельні травми.
- Завжди дотримуйтеся правильної процедури звалювання дерев. Інакше це може призвести до травмування, пошкодження ліній електроживлення чи майна.
- Оператор має знаходитися вище по схилу від дерева, оскільки звалене дерево імовірно покотиться або зісковзне вниз після повалення.

(Мал. 25 )

- Перед початком роботи завжди чітко визначайте шлях відходу. Шлях відходу повинен розширяться за діагоналлю у напрямку, протилежному лінії падіння дерева.

(Мал. 26 )

- Перш ніж переміщувати виріб між деревами, завжди вимикайте двигун.
- Переконайтеся, що ви міцно стоїте на ногах і рівномірно розподіляєте свою вагу.

(Мал. 27 )

- Завжди обирайте належну точку опори та працюйте з виробом лише тоді, коли стоїте на нерухомій, безпечній та рівній поверхні. Стоячи на слизькій або нестійкій поверхні, наприклад, на драбині, можна втратити рівновагу або контроль.

(Мал. 28 )

### **Відскакування, зісковзування, підстрибування й падіння**

На безпечне керування виробом можуть впливати різні сили.

- **Зісковзування** – швидкий рух або ковзання пильної шини вздовж дерева.
- **Підстрибування** виникає, коли пильна шина відривається від дерева та торкається його знову й знову.
- **Падіння** – падіння виробу після виконання розрізу. Це може призвести до контакту ланцюга, що рухається, із частиною тіла чи іншими предметами й спричинити травми або пошкодження.
- **Відскакування** – рух пильної шини у зворотному напрямку, угору чи різко вперед після контакту з предметом. Відскакування також відбувається, коли деревина заклинює й защемляє ланцюг пилки під час різання. Причиною втрати контролю може бути торкання виробом якогось предмета в деревині.

(Мал. 29 )

- **Обертальне відскакування** виникає, коли ланцюг у русі торкається предмета у верхній частині пильної шини. Це може призвести до заглиблення ланцюга в предмет і його негайної зупинки. У результаті виникає швидка зворотна реакція й пильна шина рухається вгору у зворотному напрямку, до оператора.

(Мал. 30 )

(Мал. 31 )

- **Відскакування через защемлення** виникає, коли ланцюг пилки різко зупиняється під час різання. Деревина заклинює й защемляє ланцюг пилки, що рухається, вздовж верхньої частини пильної шини. Раптова зупинка ланцюга змінює напрямок сили інерції й

призводить до руху виробу в напрямку, протилежному до напрямку обертання ланцюга. Виріб рухається у зворотному напрямку, до оператора.

(Мал. 32 )

- **Затягування** виникає, коли ланцюг, що рухається, торкається якогось предмета в деревині вздовж нижньої частини пильної шини й ланцюг пилки різко зупиняється. Внаслідок раптової зупинки виріб рухається вперед, від оператора, що може легко призвести до втрати контролю над виробом.

(Мал. 33 )

Переконайтеся, що ви зрозуміли принцип дії різних сил та як їх попередити, перш ніж працювати з виробом.

### **Як попередити відскакування, зісковзування, підстрибування й падіння**

- Міцно тримайте виріб, коли двигун працює. Права рука має бути на задній ручці, ліва – на передній. Міцно охоплюйте ручки усіма пальцями. Не відпускайте виріб.
- Тримайте виріб під контролем під час різання й після того, як дерево впаде на землю. Утримуйте виріб, щоб він не впав під дією власної ваги після завершення різання.(Мал. 34 )
- Переконайтеся, що на робочій ділянці немає перешкод. Слідкуйте, щоб передня частина пильної шини не торкалася стовбура, гілок чи інших перешкод під час роботи.
- Виконуйте різання з високою частотою обертання двигуна.
- Не тягніться, щоб виконати різання, і не різте на рівні вище плеча.(Мал. 35 )
- Технічне обслуговування та нагострювання ланцюга слід виконувати згідно з інструкціями виробника.
- За необхідності заміни пильної шини або ланцюга пилки слід установлювати лише деталі, зазначені виробником.
- Небезпека відскакування збільшується, якщо глібиномір встановлено надто високо.

### **Засоби індивідуального захисту**

- Під час експлуатації виробу завжди використовуйте відповідні засоби індивідуального захисту. Засоби індивідуального захисту не усувають повністю ризик отримання травм. Засоби індивідуального захисту знижують рівень пошкоджень у разі нещасного випадку.
- Зазвичай одяг повинен щільно облягати тіло та не обмежувати рухів.
- Використовуйте затверджений захисний шолом.
- Під час експлуатації виробу завжди користуйтеся відповідними засобами захисту органів слуху. Тривалий вплив шуму може призвести до втрати слуху.

- Щоб зменшити небезпеку травми від предметів, що відлітають, використовуйте захисні окуляри або захисну маску. Під час роботи з виробом від нього можуть швидко відлітати такі предмети, як тирса, невеликі шматки деревини тощо. Це може призвести до серйозної травми, особливо травми очей.
- Використовуйте рукавиці із захистом від ланцюгових пилок.
- Використовуйте штани із захистом від ланцюгових пилок.
- Використовуйте черевики із захистом від ланцюгових пилок, зі сталевими носками й неслизькою підшовою.
- Переконайтеся, що поряд є набір засобів для надання першої медичної допомоги.
- Від глушника, пильної шини, ланцюга пилки чи інших деталей можуть відлітати іскри. Поблизу завжди мають бути засоби гасіння пожежі й лопата для запобігання лісовим пожежам.

### Захисні засоби на пристрої

- Переконайтеся, що технічне обслуговування виробу проводиться регулярно.
  - Строк служби виробу збільшується.
  - Небезпека виникнення нещасних випадків зменшується.
- Регулярний огляд, регулювання або ремонт виробу повинен проводитися авторизованим дилером або сервісним центром.
- Не використовуйте виріб з пошкодженням захисним спорядженням. У разі пошкодження виробу, зверніться до авторизованого сервісного центру.

### Вимикач

Запустіть двигун. Переконайтеся, що двигун вимикається, коли ви переводите вимикач у позицію зупинки.

### Перевірка елемента блокування курка газу

1. Переконайтеся, що курок (B) зафіксований у положенні для холостої роботи, після чого можна відпустити елемент блокування курка (A). (Мал. 36)
2. Натисніть на елемент блокування курка (A) й переконайтеся, що він повертається до початкового положення, коли ви відпускаєте його.
3. Натисніть на курок (B) і переконайтеся, що він повертається до початкового положення, коли ви відпускаєте його.
4. Запустіть двигун і доведіть його до максимальної частоти обертання.
5. Відпустіть курок і перевірте, чи зупинився ланцюг пилки.

6. Якщо ланцюг пилки обертається, коли двигун працює на холостому ході, огляньте гвинт регулювання холостого ходу карбюратора.

### Захисний кожух

Кожухи захищають від викидання предметів у напрямку оператора. Кожух також захищає оператора від випадкового контакту з ланцюгом пилки.

- Переконайтеся, що захисний кожух підходить до виробу.
- Не використовуйте виріб без захисного кожуха.
- Перевірте захисний кожух на відсутність пошкоджень. Замініть захисний кожух, якщо він зношений або пошкоджений.

### Заходи безпеки при заправці палива

- Не запускайте виріб, якщо на ньому залишилося пальне або моторна олива. Приберіть непотрібне пальне/оливу та дайте виробу просохнути. Приберіть непотрібне пальне з виробу.
- Якщо ви пролили пальне на свій одяг, негайно переодягніться.
- Не допускайте потрапляння пального на тіло, адже це може призвести до травм. Для видалення пального, що потрапило на тіло, використовуйте мило та воду.
- Не запускайте двигун у разі потрапляння оливи або пального на виріб або тіло.
- Не запускайте виріб у разі наявності протікання у двигуні. Регулярно перевіряйте двигун на протікання.
- Будьте обережні при поводженні з паливом. Пальне є легкозаймистою речовиною, а його пари вибухонебезпечні та можуть призвести до травм або смерті.
- Не вдихайте вихлопні гази, це може призвести до травм. Забезпечте належне провітрювання.
- Не паліть біля пального або двигуна.
- Не кладіть біля пального або двигуна теплі предмети.
- Не доливайте пальне в працюючий виріб.
- Перед заправленням переконайтеся, що двигун охолонув.
- Перед заправленням повільно відкрийте кришку паливного бака, обережно зменшивши тиск.
- Не направляйте виріб у приміщенні. Недостатнє провітрювання може призвести до травм або смерті внаслідок задухи чи отруєння монооксидом вуглецю.
- Обережно затягуйте кришку паливного бака, адже існує ризик виникнення пожежі.
- Перед запуском пересуньте виріб на 3 м від місця, де ви заправляли його.
- Не заливайте в паливний бак занадто багато палива.

- Переконайтеся у відсутності ризику протікань під час переміщення виробу або ємності для пального.
- Не залишайте виріб або ємність для пального біля відкритого вогню, джерела іскор або запальника. Переконайтеся, що в зоні зберігання відсутні джерела відкритого вогню.
- Під час переміщення або зберігання палива користуйтеся лише сертифікованими ємностями.
- Спустошуйте паливний бак перед тривалим зберіганням. Дотримуйтеся місцевого законодавства щодо утилізації пального.
- Очищуйте виріб перед тривалим зберіганням.
- Щоб двигун випадково не запустився, перед зберіганням необхідно зняти кабель свічки запалювання.
- Використання незатверджених замічних частин і відсутність механізмів безпеки може призвести до пошкодження виробу. Це може також призвести до травмування оператора чи сторонніх осіб. Використовуйте лише рекомендовані аксесуари й запчастини. Не змінюйте виріб.
- Для безпечної роботи й високої ефективності ланцюг пилки має бути гострим і чистим.
- Дотримуйтеся інструкцій щодо змащування й заміни аксесуарів.
- Перевіряйте виріб на наявність пошкоджених деталей. Перед подальшим використанням виробу переконайтеся, що пошкоджений захисний кожух чи деталь працює належним чином. Оглядайте виріб на наявність зламаних чи неправильно підігнаних деталей і деталей, що рухаються не достатньо вільно. Переконайтеся, що виріб у гарному стані й ніщо не може вплинути на його роботу. Переконайтеся, що виріб правильно встановлено. Захисний кожух чи іншу пошкоджену деталь має відірмувати чи замінити уповноважений дилер, якщо інше не зазначено в посібнику користувача.

## Правила техніки безпеки під час обслуговування

- Перед виконанням технічного обслуговування виробу, за виключенням регулювання карбюратора, від'єднуйте свічку запалювання.
- Усі роботи з обслуговування, за виключенням зазначених на *ТЕХНІЧНЕ ОБСЛУГОВУВАННЯ на сторінці 409*, має виконувати уповноважений дилер.
- Відпускаючи курок газу, переконайтеся, що ланцюг пилки зупинений.
- Слідкуйте, щоб ручки залишалися сухими, чистими й незабрудненими оливою або паливною сумішшю.
- Кришки й кріплення мають бути надійно затягнуті.
- Зберігайте виріб у сухому місці, яке закривається або знаходиться на висоті, щоб туди не могли дістатися діти.
- У разі транспортування чи зберігання перед переміщенням виробу встановлюйте на пильну шину кришку або надягайте на неї кожух.
- Не використовуйте відпрацьовану оливу. Відпрацьована олива може завдати шкоди здоров'ю чи навколишньому середовищу й призвести до пошкодження виробу.

## ЗБИРАННЯ



**ПОПЕРЕДЖЕННЯ:** Перед збиранням виробу уважно прочитайте розділ про правила техніки безпеки.

### Збирання пильної шини й ланцюга пилки

1. Потягніть передній захисний щиток у напрямку передньої ручки, щоб вимкнути гальмо ланцюга.
2. Переведіть головку у відкрите положення. (Мал. 37)
3. Поверніть головку проти годинникової стрілки, щоб послабити кришку пильної шини. (Мал. 38)
4. Зніміть головку (А) й кришку зірочки. Зніміть захист для транспортування, якщо його встановлено. (Мал. 39)
5. Установіть пильну шину над болтами шини. Установіть пильну шину в максимальне заднє положення. Підніміть ланцюг над приводною зірочкою й зчепіть його в канавці на пильній шині.
6. Починайте з верхнього краю пильної шини. (Мал. 40)
7. Переконайтеся, що краї різальних ланок на верхньому краї пильної шини спрямовані вперед.
8. Установіть кришку зірочки й уставте шип натягування ланцюга в отвір на пильній шині. Переконайтеся, що приводні ланки ланцюга правильно розташовані на приводній зірочці. Також переконайтеся, що ланцюг пилки правильно зчеплено в канавці на пильній шині. (Мал. 41)
9. Натягніть ланцюг пилки, повернувши колесо вниз (+). Затягуйте ланцюг, доки він не перестане звисати знизу пильної шини. (Мал. 42)
10. Ланцюг пилки натягнутий правильно, якщо провисання під пильною шиною не зникне, але ви все ще зможете повертати ланцюг рукою.
11. Підніміть кінчик різальної шини та поверніть головку за годинниковою стрілкою, щоб натягнути його. (Мал. 43)

- Після збирання нового ланцюга пилки слід часто перевіряти його натяг, доки ланцюг не буде встановлено належним чином.
- Регулярно перевіряйте натяг ланцюга. Правильний натяг ланцюга забезпечує високу продуктивність різання й тривалий строк служби.

## Скидання ланцюгового гальма

Якщо кришку зчеплення було випадково знято за заблокованого гальма ланцюга, гальмо необхідно розблокувати, щоб кришку зчеплення можна було встановити без кріплення до барабана зчеплення.



**УВАГА:** пружина гальма ланцюга знаходиться під тиском. Будьте обережні, скидаючи гальмо ланцюга.

**Зверніть увагу:** Не тримайте гальмівну стрічку, скидаючи гальмо.

1. Розташуйте ввімки на шинному інструменті таким чином, щоб вони збіглися з обертальною ланкою гальма. (Мал. 44 )
2. Для скидання гальма поверніть ланку за годинниковою стрілкою, доки вона не зупиниться. Коли гальмо розблокується, передня ланка буде повернутою вниз. (Мал. 45 ) (Мал. 46 )

## ЕКСПЛУАТАЦІЯ



**ПОПЕРЕДЖЕННЯ:** Перед використанням виробу уважно прочитайте розділ про правила техніки безпеки.



**УВАГА:** Не використовуйте бензин із концентрацією етанолу більше 10% (E10). Це може призвести до пошкодження виробу.

## Використання палива



**УВАГА:** Цей виріб оснащений двотактним двигуном. Використовуйте суміш бензину та моторної оливи для двотактних двигунів. Для суміші використовуйте правильну кількість оливи. Невірне співвідношення бензину та оливи може призвести до пошкодження двигуна.



**УВАГА:** Не використовуйте бензин із октановим числом нижче 90 RON (87 AKI). Це може призвести до пошкодження виробу.

## Пропорції компонентів паливної суміші

Співвідношення бензину й моторної оливи для двотактних двигунів у паливній суміші складає 50:1 (2 %).

Бензиновий двигун	Двотактна моторна олива
1 амер. гал.	77 мл (2,6 унції)
1 брит. гал.	95 мл (3,2 унції)
5 л	100 мл (3,4 унції)

**Зверніть увагу:** У разі частого використання виробу з високою частотою обертання двигуна, необхідно використовувати бензин з вищим октановим числом.

3. Влийте всю необхідну моторну оливу для двотактних двигунів у паливний бак.



**УВАГА:** Завжди використовуйте моторну оливу для двотактних двигунів високої якості з повітряним охолодженням. Використання інших оливи може призвести до пошкодження виробу.

## Створення паливної суміші

1. Визначте правильний об'єм бензину й моторної оливи (пропорції змішування 50:1). Не змішуйте об'єм суміші, яку не зможете використати протягом 30 днів. Див. *Використання палива на сторінці 407.*
2. Влийте половину об'єму бензину в чистий паливний бак із клапаном запобігання витоку.

4. Збовтайте паливну суміш для змішування компонентів.
5. Влийте решту бензину в паливний бак.
6. Збовтайте паливну суміш для змішування компонентів.
7. Заправте паливний бак виробу паливною сумішшю. Див. *Використання палива на сторінці 407.*

## Завращення паливного бака

1. Переконайтеся, що паливна суміш правильна й що вона знаходиться в паливному баку з клапаном запобігання витоку.

2. Якщо на баку є паливо, витріть його й дайте баку просохнути.
3. Переконайтеся, що область навколо кришки паливного бака чиста.
4. Зніміть кришку паливного бака.
5. Перед додаванням паливної суміші в паливний бак збовтайте ємність з паливом.
6. Закрийте паливний бак кришкою.
6. Тягніть за ручку на тросі стартера до тих пір, поки двигун не запрацює. Після запуску зачекайте 60 секунд, а потім натискайте на курок.



**УВАГА:** Не тягніть трос стартера, доки виріб не зупиниться. Не відпускайте трос стартера, коли він повністю витягнутий. Відпускайте трос стартера повільно. Дотримуйтеся цієї інструкції, щоб попередити пошкодження двигуна.

## Змащування ланцюга пили

Виріб обладнано системою автоматичного змащування. Бак для оливи ланцюга пилки й паливний бак спроектовані так, що спочатку витікає паливо, а потім олива для ланцюга пилки. Цей захід безпеки потребує використання правильної оливи для ланцюга та дотримання всіх інструкцій.

1. Використовуйте рослинну олию або стандартну оливу для ланцюга.
2. Поверхня біля кришки бака для оливи ланцюга пилки має бути чистою.
3. Зніміть кришку бака для оливи ланцюга пилки.
4. Залийте в бак для оливи ланцюга пилки рекомендовану оливу для ланцюга.
5. Закрийте бак для оливи ланцюга пилки кришкою.

## Запуск і зупинення роботи

### Перед запуском двигуна

- Перевірте виріб на предмет відсутніх, пошкоджених, розхитаних або зношених деталей.
- Перевірте гайки, гвинти та болти.
- Перевірте повітряний фільтр.
- Переконайтеся, що елемент блокування курка й курок працюють належним чином.
- Перевірте правильність роботи вимикача.
- Перевірте виріб на наявність витоків палива.
- Перевірте гостроту й натяг ланцюга пилки.

### Запуск холодного двигуна

1. Посуньте передній захисний щиток уперед, щоб задіяти гальмо ланцюга. (Мал. 47 )
2. Натисніть кнопку насоса 6 разів. (Мал. 48 )
3. Переведіть важіль дросельної заслінки у закрите положення. (Мал. 49 )
4. Лівою рукою притисніть корпус виробу до землі. Вставте праву ногу в отвір задньої ручки, щоб стабілізувати положення пилки. Повільно потягніть за ручку троса стартера доки не відчуєте спротив. Після цього силою потягніть за ручку троса стартера 5 разів. (Мал. 50 )

**Зверніть увагу:** Не натискайте на курок під час запуску двигуна.

5. Переведіть важіль дросельної заслінки у відкрите положення.

7. Потягніть передній захисний щиток у напрямку передньої ручки, щоб вимкнути гальмо ланцюга.
8. Візьміть задню ручку правою рукою, а передню – лівою.
9. Виріб готовий до роботи.

### Запуск теплового двигуна

1. Посуньте передній захисний щиток уперед, щоб задіяти гальмо ланцюга.
2. Натисніть кнопку насоса 6 разів.
3. Переведіть важіль дросельної заслінки у закрите положення.
4. Переведіть важіль дросельної заслінки у відкрите положення.
5. Лівою рукою притисніть корпус виробу до землі. Вставте праву ногу в отвір задньої ручки, щоб стабілізувати положення пилки. Повільно потягніть за ручку троса стартера доки не відчуєте спротив. Після цього силою потягніть за ручку на тросі стартера до тих пір, поки двигун не запрацює. (Мал. 51 )

**Зверніть увагу:** Не натискайте на курок під час запуску двигуна.



**УВАГА:** Не тягніть трос стартера, доки виріб не зупиниться. Не відпускайте трос стартера, коли він повністю витягнутий. Відпускайте трос стартера повільно. Дотримуйтеся цієї інструкції, щоб попередити пошкодження двигуна.

6. Потягніть передній захисний щиток у напрямку передньої ручки, щоб вимкнути гальмо ланцюга.
7. Візьміть задню ручку правою рукою, а передню – лівою.
8. Виріб готовий до роботи.

### Запуск двигуна з надто гарячим паливом

Якщо двигун не запускається, паливо може бути надто гарячим.

**Зверніть увагу:** Завжди використовуйте нове паливо й зменшуйте тривалість роботи за теплої погоди.



1. Покладіть виріб у прохолодне місце, подалі від прямих сонячних променів.
2. Зачекайте принаймні 20 хвилин, доки виріб охолоне.
3. Натискайте кнопку насоса знову й знову протягом 10–15 секунд.
4. Виконайте процедуру запуску холодного двигуна. Див. *Запуск холодного двигуна на сторінці 408.*

### Зупинення двигуна

- Для зупинки двигуна натисніть вимикач.

**Зверніть увагу:** Вимикач автоматично повертається до початкового положення.

### Використання шпичастого буфера

Шпичастий буфер запобігає відскакуванню й утримує деревину, що ви ріжете. Шпичастий буфер розташований між корпусом двигуна й пильною шиною.

1. Уставте нижній кінець шпичастого буфера на належну ширину недопила.
2. Натискайте на передню ручку лівою рукою, одночасно піднімаючи задню ручку правою.
3. Пиляйте, доки не отримаєте належну ширину недопила.

**Зверніть увагу:** Недопил повинен бути однакової товщини.

4. Розріжте більше половини діаметра дерева, а потім уставте в проріз валочний клин.

### Звалювання дерева

1. Видаліть бруд, каміння, опалу кору, цвяхи, скоби й дріт із того місця на дереві, в якому воно розрізатиметься.
2. Зробіть надріз на 1/3 діаметра дерева перпендикулярно до лінії падіння. (Мал. 52 )
3. Зробіть нижній горизонтальний надріз. Це запобігає затисканню ланцюга пилки чи пильної шини під час виконання другого надрізу.
4. Зробіть валочний пропил із протилежної сторони (X) глибиною принаймні 50 мм вище горизонтального надрізу. Робіть валочний пропил із протилежної сторони паралельно горизонтальному надрізу, так щоб залишилося достатньо деревини, що слугуватиме шарніром.

Не ріжте кризь недопил. Недопил запобігає скручуванню дерева й падінню в неправильному напрямку. (Мал. 53 ) (Мал. 54 )

5. Коли валочний пропил із протилежної сторони наближається до недопила, дерево починає падати. Переконайтеся, що дерево впаде в правильному напрямку й не відхилиться назад і не затисне ланцюг пилки. Щоб попередити це, припиніть різання до завершення валочного пропилю з протилежної сторони. Використовуйте дерев'яні, пластикові або алюмінієві клини, щоб розкрити пропил і звалити дерево в потрібному напрямку. (Мал. 55 )
6. Коли дерево почне падати, вийміть пилку з надрізу, зупиніть двигун, покладіть пилку на землю та покиньте робочу зону за шляхом відходу. Бережіться падаючих гілок та дивіться під ноги. (Мал. 56 )

### Обрізання гілок

1. Використовуйте більші гілки для утримання стовбура над землею.
2. Обрізуйте невеликі гілки одним рухом. (Мал. 57 )
3. Обрізуйте гілки під натягом знизу вгору, щоб попередити затискання ланцюга пили чи пильної шини.

### Розкрязування стовбура



**УВАГА:** Ланцюг пилки не повинен торкатися землі.

- Якщо стовбур має опори по всій довжині, розрізайте, починаючи з верхньої частини стовбура (розкрязування зверху). (Мал. 58 )
- Якщо стовбур має опору з одного кінця, зробіть розріз на 1/3 діаметра знизу стовбура (розкрязування знизу). (Мал. 59 )
- Якщо стовбур має опору з обох кінців, зробіть розріз на 1/3 діаметра зверху стовбура. Зробіть розріз на 2/3 діаметра знизу стовбура, щоб досягти лінії першого розрізу. (Мал. 60 )
- Якщо ви розрізаєте стовбур на схилі, завжди стійте вище по схилу від стовбура. Розрізайте стовбур, тримаючи виріб під повним контролем, потім зменште тиск на пилку біля кінця прорізу, міцно тримаючи задню й передню ручки. (Мал. 61 )

## ТЕХНІЧНЕ ОБСЛУГОВУВАННЯ



**ПОПЕРЕДЖЕННЯ:** Перед очищенням, ремонтуванням чи технічним обслуговуванням уважно прочитайте розділ про правила техніки безпеки.

### Графік технічного обслуговування

Завжди дотримуйтеся графіка технічного обслуговування. Інтервали вираховуються з урахуванням щоденного використання виробу. Значення інтервалів буде іншим, якщо ви не

використовуйте виріб щоденно. Виконуйте лише те обслуговування, яке описане в цьому посібнику. Інформацію щодо інших видів обслуговування, не наведених у цьому посібнику, можна отримати в авторизованому сервісному центрі.

## Щоденне технічне обслуговування

- Очищення зовнішніх поверхонь.
- Переконайтеся, що елемент блокування й курок працюють належним чином.
- Очистіть гальмо ланцюга й переконайтеся, що воно працює належним чином.

(Мал. 62 )

- Перевірте утримувач ланцюга на наявність пошкоджень. Якщо утримувач ланцюга пошкоджений, замініть його.

(Мал. 63 )

- Щодня повертайте пильну шину для більш рівномірного зношування.
- Переконайтеся, що отвір для змащування в пильній шині не забитий.

(Мал. 64 )

- Очистіть канавку пильної шини.

(Мал. 65 )

- Переконайтеся, що пильна шина й ланцюг пилки отримують достатню кількість оливи.
- Огляньте ланцюг пилки:
  - на наявність тріщин на заклепках і ланках;
  - на значне зношення заклепок і ланок;
  - на достатність натягу.

За необхідності замініть ланцюг пилки.

- Нагостріть ланцюг пилки. Див. *Нагострювання ланцюга пилки на сторінці 411.*
- Огляньте приводну зірочку на надмірне зношення й за необхідності замініть її.

(Мал. 66 )

- Почистьте всмоктувач повітря на стартері.
- Переконайтеся, що всі гайки й гвинти затягнуті.
- Переконайтеся, що вимикач працює належним чином.
- Огляньте двигун, бак і бензопроводи на наявність витоків палива.
- Переконайтеся, що ланцюг пилки не обертається, коли двигун працює на холостому ходу.

## Щотижневе технічне обслуговування

- Переконайтеся, що система охолодження працює належним чином.
- Переконайтеся, що стартер, трос стартера й зворотна пружина працюють належним чином.
- Переконайтеся, що елементи поглинання вібрації не ушкоджені.

(Мал. 67 )

- Зашліфуйте будь-які нерівності на краях пильної шини.
- Очистьте або замініть іскрогасник на глушнику.

(Мал. 68 )

- Очищення зовнішніх поверхонь карбюратора та прилеглих до нього ділянок.
- Очищення повітряного фільтра. Якщо повітряний фільтр пошкоджений або занадто брудний, встановіть новий. Щоб отримати більше інформації, див. *Очищення повітряного фільтра на сторінці 411.*

## Щомісячне технічне обслуговування

- Огляньте гальмівну стрічку гальма ланцюга на наявність ознак зношення. Замініть гальмівну стрічку, якщо її товщина становить менше 0,6 мм у найбільш зношеному місці.

(Мал. 69 )

- Огляньте зчеплення, барабан зчеплення й пружину зчеплення на наявність ознак зношення.
- Чищення свічки запалювання. Переконайтеся, що проміжок між електродами правильний.

(Мал. 70 )

- Очищення зовнішніх поверхонь карбюратора та прилеглих до нього ділянок.
- Огляньте паливний фільтр і шланг подачі пального. Замініть у разі потреби.
- Вилийте паливо з паливного баку.
- Спорожніть бак для оливи.
- Перевірка всіх кабелів та з'єднань.

## Щорічне обслуговування

- Перевірка свічки запалювання.
- Очищення зовнішніх поверхонь карбюратора та прилеглих до нього ділянок.
- Очищення системи охолодження.
- Перевірка іскрогасника.
- Перевірка паливного фільтра.
- Перевірка шланга подачі пального на пошкодження.
- Перевірка всіх кабелів та з'єднань.

## Періодичне технічне обслуговування

- Необхідно відремонтувати або замінити глушник в авторизованому сервісному центрі через 50 годин роботи.
- Виконуйте технічне обслуговування свічки запалювання, якщо:
  - рівень потужності двигуна низький;
  - двигун важко запускається;
  - двигун працює неправильно на холостому ходу.
- Кожного разу під час заправлення перевіряйте змащування ланцюга пилки. Див. *Перевірка змащування ланцюга пилки на сторінці 412.*

## Налаштування швидкості холостого ходу

Перед налаштуванням швидкості холостого ходу переконайтеся, що повітряний фільтр чистий, а кришка повітряного фільтра встановлена.

1. Поверніть гвинт регулювання холостого ходу (з позначкою «Т») за годинниковою стрілкою, доки ланцюг пилки не почне обертатися.
2. Поверніть гвинт регулювання холостого ходу (з позначкою «Т») проти годинникової стрілки, доки ланцюг пилки не зупиниться.
3. Швидкість холостого ходу повинна бути нижчою за швидкість, на якій починає обертатися ланцюг пилки. Швидкість холостого ходу відрегульована правильно, якщо двигун працює рівномірно в будь-якому положенні.

## Очищення іскрогасника

1. Для очищення іскрогасника використовуйте дротяну щітку.

## Технічне обслуговування свічки запалювання



**УВАГА:** Використовуйте лише рекомендовані свічки запалювання. Переконайтеся, що заміна буде відбуватися на такі ж самі деталі, що були поставлені виробником. Неправильна свічка запалювання може призвести до пошкодження виробу.

1. Якщо двигун важко запускається або працює, перевірте свічку запалювання на наявність зайвих предметів. Щоб зменшити ризик потрапляння зайвих предметів на електроди свічки запалювання:
  - a) переконайтеся, що швидкість холостого ходу встановлено правильно.
  - b) переконайтеся в правильності змішування паливної суміші.
  - c) переконайтеся, що повітряний фільтр чистий.
2. Якщо свічка запалювання забруднена, почистьте її. Переконайтеся, що проміжок між електродами правильний. (Мал. 71 )
3. За необхідності замініть свічку запалювання.

## Очищення повітряного фільтра

1. Зніміть кришку повітряного фільтра та витягніть повітряний фільтр.
2. Чистити повітряний фільтр потрібно теплою мильною водою. Перед встановленням переконайтеся, що повітряний фільтр сухий.
3. Якщо повітряний фільтр занадто брудний для очищення, замініть його. Пошкоджений

повітряний фільтр необхідно замінювати обов'язково.

## Нагострювання ланцюга пилки

### Різець

Різальна частина ланцюга пилки називається різцем, вона складається з різального зуба (А) та різальної глибиноміра (В). Глибина різання різця визначається різницею висоти зубця й глибиноміра (С).

(Мал. 72 )

При нагострюванні різального зуба треба пам'ятати про чотири важливі фактори.

- Кут заточування.

(Мал. 73 )

- Кут різання.

(Мал. 74 )

- Положення напилка.

(Мал. 75 )

- Діаметр круглого напилка.

(Мал. 76 )

## Нагострювання різальних зубців

Для нагострювання різальних зубців використовуйте круглий напилко і шаблон для напилка. Інформація щодо рекомендованих розмірів напилка й шаблону для ланцюга пилки, встановленого на вашому виробі, знаходиться в *Заточування ланцюга пили й комбінації ланцюгів пили на сторінці 414.*

1. Переконайтеся, що ланцюг пилки достатньо натягнутий. Послаблений ланцюг може рухатися вбік, що зробить процес правильного нагострювання більш важким.
2. Спочатку нагостріть всі зубці на одному боці. Нагостріть різальні зубці на внутрішній поверхні; зменшуйте тиск під час зворотного руху.
3. Переверніть пилку і нагостріть зуби, що залишилися на іншому боці.
4. Нагострюйте всі зубці до однакової довжини. Коли довжина різальних зубців зменшується до 4 мм, ланцюг пилки вважається зношеним та його необхідно замінити. (Мал. 77 )

## Регулювання висоти глибиноміра

Перш ніж налаштувати глибиномір, нагостріть різальні зубці. Див. *Нагострювання різальних зубців на сторінці 411.* Після нагострювання зубців (А) висота глибиноміра (С) зменшується. Для забезпечення оптимальної продуктивності різання глибиномір (В) необхідно заточити, щоб досягти рекомендованого налаштування. Інформація щодо правильної уставки глибиноміра для конкретного ланцюга наведено в *Заточування ланцюга пили й комбінації ланцюгів пили на сторінці 414.* (Мал. 78 )

**Зверніть увагу:** Ця рекомендація передбачає, що довжина різальних зубів не занадто зменшилася.

Для регулювання глибиномера використовуйте плоский напилек і пристрій для вимірювання висоти глибиномера.

1. Встановіть пристрій для вимірювання висоти глибиномера над ланцюгом пилки. Більш детальна інформація щодо експлуатації пристрою вимірювання висоти глибиномера знаходиться на його упаковці.
2. Застосуйте плаский напилек для спилування верхньої частини глибиномера, що просовується крізь пристрій для вимірювання висоти глибиномера. Налаштування глибиномера буде правильним, якщо не відчувається спротиву при проведенні напилка по пристрою для вимірювання висоти глибиномера.

### Натягування ланцюга пилки

**Зверніть увагу:** Впродовж періоду приладжування нового ланцюга пилки слід часто перевіряти його натяг.

1. Відпустіть гайки пильної шини, що утримують кришку зірочки. Скористайтеся комбінованим ключем. (Мал. 80 )
2. Затягніть гайки пильної шини рукою якомога міцніше.
3. Підніміть верхню частину пильної шини й натягніть ланцюг пилки, затягнувши гвинт натягування ланцюга. Скористайтеся комбінованим ключем. Затягуйте ланцюг пилки,

доки він не перестане звисати знизу пильної шини. (Мал. 81 )

4. Затягуйте гайки пильної шини за допомогою комбінованого ключа, одночасно піднімаючи верхню частину пильної шини. (Мал. 82 )
5. Переконайтеся, що ви можете легко протягнути ланцюг пилки рукою й що він не провисає. (Мал. 83 )

## Змащування різального обладнання

### Перевірка змащування ланцюга пилки

Кожного разу під час заправлення перевіряйте змащення ланцюга пилки.

1. Запустіть виріб і дайте йому попрацювати на 3/4 частоти обертання. Спрямуйте передню частину пильної шини на поверхню світлого кольору на відстані приблизно 20 см.
2. Після 1 хвилини роботи на світлій поверхні буде видно слід від олії.
3. Якщо слід від оливи не видно через 1 хвилину, прочистьте канал подачі оливи в пильній шині. Очистьте канавку на краю пильної шини. Переконайтеся, що носова зірочка пильної шини вільно обертається й що отвір для змащування не забитий. Очистіть й змастіть верхівку зірочки.
4. Запустіть виріб і дайте йому попрацювати на 3/4 частоти обертання. Спрямуйте передню частину шини на поверхню світлого кольору на відстані приблизно 20 см.
5. Після 1 хвилини роботи на світлій поверхні буде видно слід від олії.
6. Якщо слід від оливи не видно через 1 хвилину, зверніться до вашого уповноважено дилера.

## ТРАНСПОРТУВАННЯ

- Перед транспортуванням спорожніть паливний бак і бак для оливи. Правильно утилізуйте відпрацьовані рідини.
- Перед транспортуванням установіть на пильну шину кришку. Це запобігає випадковому торканню гострого ланцюга пилки людьми. Гострий ланцюг

пилки, який не працює, може завдати травми вам чи іншим особам, які його торкаються.

- Перед транспортуванням зніміть ковпак зі свічки запалювання й задійте гальмо ланцюга.
- Переконайтеся, що виріб не рухатиметься під час транспортування.

## ЗБЕРІГАННЯ

- Коли виріб не використовується, зберігайте його в безпечному місці. Витоки й дими з виробу можуть досягти джерел відкритого вогню й іскор від електрострументаментів, електричних косарок, реле/перемикачів, котлів тощо.
- Завжди зберігайте паливо в затвердженому контейнері.
- Якщо виріб зберігатиметься протягом тривалого часу, спорожніть паливний бак і бак для оливи. Правильно утилізуйте відпрацьовані рідини.

- Перед зберіганням установіть на пильну шину кришку. Це запобігає випадковому торканню гострого ланцюга пилки людьми. Гострий ланцюг пилки, який не працює, може завдати серйозної травми вам чи іншим особам, які його торкаються.
- Перед зберіганням зніміть ковпак зі свічки запалювання й задійте гальмо ланцюга.

## ТЕХНІЧНІ ХАРАКТЕРИСТИКИ

	одиниця виміру	120 Mark II (P02138HV)
<b>Технічні характеристики двигуна</b>		
Об'єм циліндра	см <sup>3</sup>	38
Свічка запалення		Champion RCJ7Y
Проміжок між електродами	мм (дюймів)	0,5
Об'єм паливного бака	см <sup>3</sup>	300
Кількість обертів на холостому ході	об/хв	2800–3200
Вихідна потужність за частоти обертання 9000 об/хв	кВт	1,4
Період стійкості характеристик випромінювання	год	50
<b>Дані щодо шуму й вібрації</b>		
Еквівалентні рівні вібрації, $a_{hveq}$ передня ручка <sup>136</sup>	м/с <sup>2</sup>	4,5
Еквівалентні рівні вібрації, $a_{hveq}$ задня ручка <sup>137</sup>	м/с <sup>2</sup>	6,0
Рівень звукової потужності, гарантований ( $L_{WA}$ ) <sup>138</sup>	дБ(А)	116
Рівень звукової потужності, вимірний <sup>139</sup>	дБ(А)	110
Рівень звукового тиску у вусі оператора <sup>140</sup>	дБ(А)	95
<b>Розміри виробу</b>		
Вага (за виключенням різального обладнання)	кг	4,9
Об'єм бака для оливи	см <sup>3</sup>	200
<b>Паливна та змащувальна система</b>		
Продуктивність масляного насоса за частоти обертання 9000 об/хв	мл/хв	7
Об'єм бака для оливи	см <sup>3</sup>	200
Тип насоса оливи		Автоматичний
<b>Ланцюг пилки й пильна шина</b>		
Довжина стандартної пильної шини	см (дюймів)	35–40
Довжина рекомендованої шини	см (дюймів)	35–45

<sup>136</sup> Еквівалент рівня вібрації, згідно зі стандартом ISO 22867, обчислюється у вигляді суми енергії за певний проміжок часу за різних умов праці та рівнів вібрації. Представлені дані про еквівалентний рівень вібрації мають типову статистичну дисперсію (стандартне відхилення) в 1 м/с<sup>2</sup>.

<sup>137</sup> Еквівалент рівня вібрації, згідно зі стандартом ISO 22867, обчислюється у вигляді суми енергії за певний проміжок часу за різних умов праці та рівнів вібрації. Представлені дані про еквівалентний рівень вібрації мають типову статистичну дисперсію (стандартне відхилення) в 1 м/с<sup>2</sup>.

<sup>138</sup> Випромінювання шуму в середовище визначається як потужність звуку ( $L_{WA}$ ).

<sup>139</sup> Випромінювання шуму в середовище визначається як потужність звуку ( $L_{WA}$ ).

<sup>140</sup> Еквівалентний рівень звукового тиску обчислюється як сума енергії за певний проміжок часу для різних рівнів звукового тиску за різних умов праці. Типовий статистичний розкид для еквівалентних рівнів звукового тиску зазвичай являє собою відхилення в розмірі 1дБ (А).

	<b>одиниця виміру</b>	<b>120 Mark II (P02138HV)</b>
Корисна довжина різальної поверхні	см (дюймів)	34–39 (13,5–15,5)
Максимальна швидкість ланцюга пилки	м/с	22,3
Крок ланцюга пилки	мм (дюймів)	8,3 (0,325)
		9,52 (3/8)
Товщина приводних ланок (вимірювач)	мм (дюймів)	1,3 (0,05)
Тип приводної зірочки		Зубчата
Кількість зубців приводної зірочки		6 (приводної зірочки 3/8)
		7 (приводної зірочки 0,325)

## АКСЕСУАРИ

### Комбінації шин і ланцюгів пилки

Наведені нижче різальні насадки є рекомендованими для даного продукту.

Пилкова шина				Пилковий ланцюг	
Довжина, см (дюйми)	Крок, мм (дюйми)	Вимірювач, мм (дюйми)	Макс. радіус кінцевої частини шини	Тип	Кількість приводних ланок
33 (13)	8,25 (0 325)	1,3 (0 050)	10T	Husqvarna H30	56
38 (15)	8,25 (0 325)				64
35 (14)	9,52		7T	Husqvarna H37	52
40 (16)	9,52				56
45 (18)	9,52				62

### Заточування ланцюга пили й комбінації ланцюгів пили

Пилковий ланцюг					
Тип ланцюга	Розмір круглого напилка	Кут бічної пластини	Кут верхньої пластини	Кут заточування	Висота глибиноміра
H30	3/16 дюйма / 4,8 мм	60°	30°	10°	0,025 дюйма / 0,65 мм
H37	5/32 дюйма / 4,0 мм	60°	30°	0°	0,025 дюйма / 0,65 мм

## ЗМІСТ ДЕКЛАРАЦІЯ ВІДПОВІДНОСТІ ЕС

Ми, Husqvarna AB, SE 561 82 м. Гускварна, Швеція, заявляємо під свою виключну відповідальність, що представлений виріб:

<b>Опис</b>	<b>Бензинова ланцюгова пила</b>
Бренд	Husqvarna
Платформа / Тип / Модель	Платформа P02138HV, представлена модель: 120 Mark II
Партія	Серійні номери за 2018 рік і пізніше

повністю відповідає наступним директивам і нормам ЄС:

<b>Директива/норма</b>	<b>Опис</b>
2006/42/EC	«Про механічне обладнання»
2014/30/EU	«Про електромагнітну сумісність»
2000/14/EC	«Про випромінювання шуму від обладнання, призначеного для використання надворі»

Застосовуються наступні узгоджені стандарти та/або технічні специфікації: EN ISO 12100, EN ISO 11681-1, CISPR 12, ISO 14982

Згідно з директивною 2000/14/EC, додаток V, заявлені шумові характеристики зазначені в розділі технічних даних цього посібника та в підписаній декларації відповідності ЕС.

TÜV Rheinland LGA Products GmbH, уповноважений орган для механічного обладнання (уповноважений згідно з 0197), Tillystraße 2 - 90431 Nürnberg, Germany (Німеччина), виконав типову перевірку ЄС на відповідність вимогам пункту 3b статті 12 Директиви 2006/42/EC.

Сертифікат про виконання типової перевірки згідно з додатком IX, як зазначено в підписаній декларації відповідності ЕС, діє для всіх місць виробництва й країн-виробників, зазначених на виробі.

Ланцюгова пила відповідає зразкам, які пройшли типову перевірку ЄС.

## 目次

はじめに.....	416	搬送.....	426
安全性.....	417	保管.....	426
組み立て.....	421	主要諸元.....	427
操作.....	421	アクセサリー.....	428
メンテナンス.....	424	EC 適合宣言の内容.....	429

## はじめに

### 取扱説明書

本取扱説明書は元々、英語で作成されています。他の言語版の取扱説明書は、英語から翻訳されたものです。

### 概要

(図 1)

1. 製品およびシリアル番号の付いたプレート
2. トリガーロック
3. フロントハンドル
4. シリンダーカバー
5. チェンブレーキとフロントハンドガード
6. マフラー
7. スバイクバンパー
8. バーのノーズスプロケット
9. 右手ガード
10. トリガー
11. スプロケットカバー
12. チェンキャッチャー
13. ガイドバー
14. ソーチェン
15. スターターハンドル
16. チェンオイルタンク
17. スターター
18. 燃料タンク
19. チョークコントロール
20. リヤハンドル
21. 停止スイッチ
22. アイドリング調整ネジ
23. プライマバルブ
24. 情報と警告ラベル
25. チェン張りネジ
26. ガイドバーカバー
27. コンビツール
28. 2 サイクルエンジンオイル
29. 取扱説明書 (EPA)

### 製品に表記されるシンボルマーク

(図 2) 警告

(図 3) 本取扱説明書をお読みください

- (図 4) 認可されたヘルメット、イヤマフ、および防護メガネを着用してください
- (図 5) 認可された保護グローブを着用してください
- (図 6) 本製品は EC 指令適合製品です
- (図 7) 音響レベル
- (図 8) チェンブレーキ、解除 (左)。チェンブレーキ、接続 (右)
- (図 9) チョークコントロール
- (図 10) プライマバルブ
- (図 11) 給油
- (図 12) チェンオイルの補充
- (図 13) 本製品は EAC 指令適合製品です
- (図 14) 本製品はウクライナ指令適合製品です
- (図 15) ノイズレベル
- (図 16) 本製品は両手で適切に持ってください
- (図 17) 片手で使用しないでください
- (図 18) ガイドバーのノーズに触れないでください
- (図 19) キックバックに注意してください
- (図 20) 本製品はオーストラリアおよびニュージーランドの電磁環境適合性に関する指令に適合した製品です。

**注記:** 本製品に付いている他のシンボル / 銘板は、他の商業地域に向けた認定条件を示します。



## 製造物責任

製造物責任法に基づき、当社は、次の場合については本製品を原因とする損傷について責任を負いません。

- 本製品が誤って修理された場合。
- メーカーによるものではない部品、またはメーカーの認可していない部品を使用して本製品を修理した場合。

- メーカーによるものではないアクセサリ、またはメーカーの認可していないアクセサリを本製品に使用した場合。
- 認定サービスセンターまたは認定機関で本製品が修理されていない場合。

## 安全性

### 安全性の定義

各シグナルワードの重大度の定義は次のとおりです。



**警告：** 人身傷害。



**注意：** 製品の損傷。

**注記：** この情報は、本製品を使用しやすくするためのものです。

### 一般的な安全注意事項

- 本製品は正しく使用してください。誤って使用するると負傷または死亡する可能性があります。本取扱説明書に記載されている作業以外に本製品を使用しないでください。他の作業に本製品を使用しないでください。
- 本取扱説明書の指示を読んで、理解し、従ってください。安全記号と安全注意事項に従ってください。作業者がこれらの指示や記号に従わない場合、負傷、損傷、または死亡に至る可能性があります。
- 本取扱説明書は破棄しないでください。製品を組み立て、操作し、良好な状態に保つために、指示に従ってください。アタッチメントやアクセサリを正しく取り付けるために、指示に従ってください。認可されたアタッチメントやアクセサリのみを使用してください。
- 損傷した製品は使用しないでください。メンテナンスのスケジュールに従ってください。本取扱説明書で説明しているメンテナンス作業のみを行ってください。他のすべてのメンテナンス作業は認定サービスセンターが行います。
- 本取扱説明書には、本製品使用時に発生する可能性のあるすべての状況を記載することはできません。常識に基づいて注意して使用してください。状況が不明な場合は、本製品を操作したり、メンテナンスしたりしないでください。情報が必要な場合は、製品の専門家、販売店、サービスエージェント、または認定サービスセンターにお問い合わせください。
- スパークプラグケーブルを取り外してから、本製品の組み立て、保管場所への保管、またはメンテナンスを行ってください。

- 本製品が初期仕様から変更された場合は、本製品を使用しないでください。メーカーからの承認を受けずに本製品の部品を交換しないでください。メーカーが認可した部品のみを使用してください。誤ってメンテナンスすると、負傷または死亡に至る可能性ががあります。
- エンジンから出る排気ガスを吸い込まないでください。エンジンの排気ガスやチェンオイルのミスト、切りくずを長期間にわたって吸引すると、健康を害するおそれがあります。
- 屋内や可燃物の近くでは、本製品を始動しないでください。排気ガスは高温で火花を含むこともあり、火災発生の原因となります。十分な空気の流れがないと、窒息や一酸化炭素中毒によって負傷または死亡する可能性があります。
- 本製品では、運転中に電磁場が発生します。電磁場は医療用インプラントに損傷を与える可能性があります。本製品を操作する前に、医師および医療用インプラントメーカーに相談してください。
- 子供に本製品を操作させないでください。
- 指示を理解していない人に本製品を操作させないでください。
- 身体的、精神的にハンデを負った人が本製品を使用する場合は常に監視してください。責任を有する大人が常にそばにいる必要があります。
- 本製品は子供や承認されていない人が立ち入ることのできない場所に保管してください。
- 本製品は物体を飛散させるため、負傷する可能性があります。負傷や死亡の危険性を減らすために安全注意事項に従ってください。
- エンジンをかけたまま本製品から離れないでください。エンジンを停止し、チェンが回転していないことを確認してください。
- 事故が起こった場合、本製品の操作者に責任があります。
- 本製品を使用する前に、部品が損傷していないことを確認してください。
- 国または地域の法律を参照してください。これらの法律により、いくつかの条件で本製品の運転が禁止されていたり、規制されていたりする場合があります。

### 操作のための安全注意事項

- 製品を継続的または定期的に操作していると、振動が原因で、「白癩病」あるいはそれと同等の医療上の問題につながるおそれがあります。製品を継続的または定期的に操作している場合は、ご自身の手と

指の状態を調べてみてください。もし手や指に退色や、痛み、うずき、麻痺といった症状が見られる場合、すぐに作業を中止して医者にかかってください。

- 使用する前に、本製品が完全に組み立てられていることを確認してください。
- 本製品から物体が飛散し、目に怪我を負う可能性があります。本製品を操作するときは常に、認可された保護メガネを使用してください。
- 本製品の運転中に気づかないうちに子供が近くにいることがあるので注意してください。
- 作業区域に他人がいる場合は、本製品を操作しないでください。作業区域に人が入った場合は、本製品を停止してください。

#### (図 21)

- 常に本製品をコントロールできる状態にしてください。
- 本製品は両手で操作してください。本製品は片手で操作しないでください。操作者、作業者、付近にいる人、またはこれらの人たちの集団が重傷を負う原因は、片手での操作によるものです。
- 左手でフロントハンドルを持ち、右手でリヤハンドルを持ってください。本製品は身体の右側に保持してください。

#### (図 22)

- 疲労時、疾病時、またはアルコールや薬の影響下にある場合は、本製品を操作しないでください。
- 事故が起こったときに救助を受けられない状況では、本製品を使用しないでください。本製品を始動する前に、本製品を操作することを他の人に知らせてください。
- 本製品の向きを変え場合は、必ず安全区域に人や動物がいないことを確認してください。
- 作業を開始する前に、作業区域から不要な物を取り除いてください。チェンが物にぶつかると、物体が飛散し、負傷や損害に至る可能性があります。不要な物がチェンに巻き付いて損傷する可能性があります。
- 霧、雨、強風のときや、雷が発生しうるとき、その他悪天候のときは本製品を使用しないでください。悪天候のため、滑りやすい場所など危険な状態が発生する可能性があります。
- 安定した姿勢で自由に移動および作業できることを確認してください。
- 本製品を使用するときは倒れないようにしてください。本製品を操作するときは、身体を傾けないでください。
- 本製品は必ず両手で保持してください。左手でフロントハンドルを持ち、右手でリヤハンドルを持ってください。本製品は身体の右側に保持してください。
- エンジンが始動したときにチョークコントロールがチョークの位置にある場合、チェンが回転し始めます。
- 本製品を移動する前にエンジンを停止してください。
- エンジンをかけたまま本製品を置かないでください。

- 本製品から不要な物を取り除く前に、エンジンを停止してください。切断した物を取り除く前に、チェンを停止させてください。
- 本製品は木に登って使用しないでください。木に登って本製品を操作すると、人的傷害を負う可能性があります。

#### (図 23)

- 始動時にソーチェンが接触する危険性を減らすために、本製品の始動時にチェンプレーキをかける必要があります。

#### (図 24)

- 重傷を負う可能性があるキックバック、滑走、跳ね返り、落下を避けてください。
- 重傷を負う可能性があるキックバックや他の力を避けられるように、すべての安全注意事項に従ってください。
- 定期的にソーチェンの張りを調整して、ソーチェンにたるみがないことを確認してください。ソーチェンにたるみがあると外れやすくなり、重傷や死亡に至る可能性があります。
- 間違っただ手順で伐倒を行わないでください。負傷したり、ライフラインに当たったり、財産に損害を与えたりする可能性があります。
- 伐倒後に木が転がったり滑り落ちたりする可能性があるため、操作者は斜面の上方で作業してください。

#### (図 25)

- 切断を開始する前に、脱出経路を確保してください。脱出経路は、予想される伐倒線の斜め後方に確保する必要があります。

#### (図 26)

- 本製品を持って木の間を移動する前に、必ずエンジンを停止してください。
- 地面にしっかりと立ち、両足に体重を均等にかけてください。

#### (図 27)

- 必ず安定した足場を確保し、しっかりと水平に固定されて安全な足場に立つて本製品を操作してください。ハンゴのように滑りやすく不安定な足場では、バランスやコントロールを失うことがあります。

#### (図 28)

### キックバック、滑走、跳ね返り、落下

さまざまな力が本製品の安全管理に影響を与える可能性があります。

- **滑走**：ガイドバーが木の上で滑ったり、すばやく移動したりすることです。
- **跳ね返り**：ガイドバーが何度も木から離れ、木に触れることです。
- **落下**：切断後に本製品が落下することです。これにより、動いているチェンが身体の一部または他の物に触れることがあり、怪我や損傷を負う可能性があります。
- **キックバック**：ガイドバーの端が物に触れ、後方、上方、または突然前方に動くことです。キックバックは、切断中に木が接近し、ソーチェンを挟んだ場

合にも発生します。本製品が木の一部に触れると、コントロールを失うことがあります。

(図 29)

- **回転キックバック**：動いているチェンがガイドバーの上部にある物に触れたときに発生することがあります。これにより、チェンが物体に食い込み、チェンが直ちに停止します。その結果、非常に速い反動が生じて、ガイドバーが操作者に向かって上方および後方に移動します。

(図 30)

(図 31)

- **直線キックバック**：切断中にソーチェンが突然停止すると発生することがあります。木が接近し、動いているソーチェンのガイドバーの上部を挟みます。突然チェンが停止するとチェンの力が逆転し、チェンの回転とは逆方向に本製品が動きます。本製品が操作者に向かって後方に移動します。

(図 32)

- **引き込み**：動いているチェンのガイドバーの底部が木の一部に接触し、ソーチェンが突然停止したときに発生することがあります。突然の停止によって本製品が前方に引かれ、操作者から離れるため、操作者が本製品のコントロールを容易に失うこともあります。

(図 33)

本製品を操作する前に、さまざまな力とそれらを防止する方法を理解してください。

## キックバック、跳ね返り、落下を防止するには

- エンジンが動いているときは、本製品をしっかり持ってください。リヤハンドルに右手、フロントハンドルに左手の状態を維持してください。ハンドルは手でしっかりと握ってください。ハンドルは放さないでください。
- 切断中および木が地面に倒れた後も、本製品のコントロールを維持してください。切断後に本製品の重さによって体勢を崩さないようにしてください。(図 34)
- 切断作業を行っている場所に障害物がないことを確認してください。本製品の操作中は、ガイドバーのノーズが丸太、枝、その他の障害物に触れないようにしてください。
- エンジンを高速にして切断します。
- 無理な体勢で作業したり、肩の高さよりも上の位置を切断したりしないでください。(図 35)
- ソーチェンの目立てやメンテナンスについては、メーカーの指示に従ってください。
- 交換用ガイドバーとソーチェンは、ハスクバーナの指定品のみを使用してください。
- デブスゲージの設定が高すぎると、キックバックが発生する危険性が増します。

## 使用者の身体保護具

- 本製品を操作するときは常に、適切な身体保護具を使用してください。身体保護具を使用しても、負傷の危険性はなくなりません。身体保護具を使用すると、事故が発生した場合に負傷の程度が軽減されます。
- 一般的に、動きの自由を制限せず、身体に合った衣服を着用する必要があります。
- 認可された保護ヘルメットを使用してください。
- 本製品を操作するときは常に、認可されたイヤーマフを使用してください。長時間の騒音によって聴力が低下する可能性があります。
- 保護メガネまたはバイザーを使用して、飛散物による負傷の危険性を軽減してください。本製品は、大きな力で木くずや小さな木片などの飛散物を飛ばすことがあります。これにより重傷を負うことがあります。特に目の怪我の原因になることがあります。
- チェンソー保護用のグローブを使用してください。
- チェンソー保護用のズボンを着用してください。
- つま先にスチールキャップの入った、ノンスリップ靴底のチェンソー保護用ブーツを着用してください。
- 救急用具が近くにあることを確認してください。
- マフラー、ガイドバーとソーチェンまたは他の箇所から火花が発生することがあります。森林火災を防止できるように、必ず消火器とシャベルを用意してください。

## 本製品の保護装置

- 必ず定期的にメンテナンスを行ってください。
  - 本製品の寿命が延びます。
  - 事故のリスクは減少します。
- 認定販売店や認定サービスセンターに本製品を定期的に点検させて、調整や修理を依頼してください。
- 身体保護具が損傷している製品は使用しないでください。本製品が損傷している場合は、認定サービスセンターにご連絡ください。

## 停止スイッチ

エンジンを始動します。停止スイッチを停止位置に移動したときにエンジンが停止することを確認します。

## スロットルトリガーのロックを点検するには

1. トリガーロック (A) を放したとき、トリガー (B) がアイドリングの位置にロックされることを確認します。(図 36)
2. トリガーロック (A) を押し、放すと元の位置に戻ることを確認します。
3. トリガー (B) を押し、放すと元の位置に戻ることを確認します。
4. エンジンを始動し、最高速度にします。
5. トリガーを放し、ソーチェンが停止するかどうかを点検します。

6. ソーチエンがアイドルリング状態のエンジンで回転する場合は、キャブレターのアイドルリング調整ネジを点検します。

## ガード

ガードは、物体が作業者のほうに飛びこすことを防ぎます。また、ガードは、作業者とソーチエンが意図せず接触することも防ぎます。

- 本製品と組み合わせて作業に使用することが認可されているガードであるかを確認してください。
- ガードを取り付けずに本製品を使用しないでください。
- ガードに損傷がないことを確認してください。ガードが摩耗やヒビがある場合は交換してください。

## 燃料の安全について

- 本製品に燃料やエンジンオイルが付着している場合は始動しないでください。不要な燃料やオイルを本製品から除去し、乾かしてください。不要な燃料を本製品から除去してください。
- 衣服にガソリンをこぼした場合は、すぐに着替えてください。
- 燃料が身体に付着しないようにしてください。負傷する場合があります。身体に燃料が付着した場合は、石鹸と水を使用して燃料を洗い流してください。
- 本製品や身体にオイル / 燃料をこぼした場合は、エンジンを始動しないでください。
- エンジンに漏れがある場合は、本製品を始動しないでください。エンジンに漏れがないかどうかは定期的に点検してください。
- 燃料に注意してください。燃料は可燃性で蒸気には爆発性があるため、負傷や死亡に至ることがあります。
- 燃料の蒸気を吸引しないでください。負傷の原因になることがあります。十分な空気の流れを確保してください。
- 燃料やエンジンのそばで喫煙しないでください。
- 燃料やエンジンのそばに温かい物を置かないでください。
- エンジンの稼働中は、燃料を補充しないでください。
- 燃料の補充は、エンジンが冷えてからにしてください。
- 燃料を補充する前に、燃料タンクのキャップを開けて慎重に圧力を解放してください。
- 屋内でエンジンに燃料を補充しないでください。十分な空気の流れがないと、窒息や一酸化炭素中毒によって負傷や死亡に至ることがあります。
- 発火するおそれがあるので、燃料タンクキャップは慎重に開けてください。
- 始動する前に燃料を入れた場所から本製品を 3 m (10 フィート) 以上移動させてください。
- 燃料タンクに燃料を入れすぎないでください。
- 本製品または燃料容器を動かしたときに漏れがないことを確認してください。

- 本製品または燃料容器を裸火、火花、または種火がある場所に置かないでください。保管場所に裸火がないことを確認してください。
- 燃料を移動するとき、または燃料を保管場所に置くときは、認可されている容器のみを使用してください。
- 長期間保管するときは、燃料タンクを空にしてください。燃料を廃棄する場所については、地域の法律に従ってください。
- 長期間保管するときは、本製品を清掃してください。
- エンジンが誤って始動しないようにするために、本製品を保管する前に点火プラグケーブルを外してください。

## メンテナンスのための安全注意事項

- 本製品をメンテナンスする前に点火プラグを外してください (キャブレター調整の場合を除く)。
- 認可された販売店に製品のすべての点検を実施させてください (メンテナンス 424 ページの作業は除く)。
- スロットルトリガーを放すと、ソーチエンの動作が停止することを確認します。
- ハンドルは乾燥した清潔な状態に保ち、オイルや燃料混合物が付着しないようにしてください。
- キャップや留め具が適切に締められている状態を保ってください。
- 認可されていない部品に交換したり安全装置を取り外したりすると、本製品が損傷する可能性があります。また、操作者や付近にいる人が負傷する可能性もあります。推奨されているアクセサリや交換部品のみを使用してください。お使いの製品を改造しないでください。
- 安全で高い性能を確保するために、ソーチエンを鋭く清潔な状態に保ってください。
- 注油やアクセサリの変更の手順に従ってください。
- 本製品に損傷している部品がないかどうかを点検してください。本製品をさらに使用する前に、破損したガードや部品が正しく動作することを確認してください。破損や誤って配置されている部品がないか、自由に可動しない部品がないかどうかを点検してください。本製品の操作に影響を与える可能性のある他の状況がないかどうかを確認してください。本製品が正しく取り付けられていることを確認します。ガードやその他の損傷した部品は、取扱説明書に記載されていないかぎり、認可された販売店が修理または交換する必要があります。
- 操作しないときは、本製品を子供が近づけない乾燥している高い場所、または鍵をかけた場所に保管してください。
- 本製品の搬送または保管時には、ガイドバーカバーまたはケースを使用して本製品を移動してください。
- 廃油は使用しないでください。廃油は使用者に危険な場合があり、本製品や環境を破壊する場合があります。

## 組み立て



**警告：**本製品を組み立てる前に、安全に関する章を読んで理解してください。

### ガイドバーとソーチェンを組み立てるには

1. フロントハンドガードをフロントハンドルの方向に移動して、チェンブレイキを解除します。
2. ノブを開け位置まで開きます。(図 37)
3. ノブを反時計方向に回して、バーカバーを緩めます。(図 38)
4. ノブ (A) とスプロケットカバーを取り外します。搬送用ガードが取り付けられている場合は、取り外します。(図 39)
5. ガイドバーをバーのボルトに取り付けます。ガイドバーを最後部の位置まで移動します。チェンをドライブスプロケットに掛けて、ガイドバーの溝にはめます。ガイドバーの上端から装着作業を始めてください。(図 40)
6. カッターリンクの刃がガイドバーの上側で前向きになっていることを確認します。
7. スプロケットカバーを組み立てて、チェン調整ピンをガイドバーの穴に通します。チェンのドライブリンクがドライブスプロケットに正しく取り付けられていることを確認します。ソーチェンが正しくガイドバーの溝にはまっていることも確認します。(図 41)
8. ホイールを下向き (+) に回転させて、ソーチェンを締めます。チェンがガイドバーの下にたわまないように、チェンを締めます。(図 42)

9. ソーチェンは、ガイドバーの下にたわまないよう、ただし手で簡単に回せる程度に正しく締めます。
10. ガイドバー先端を持ち上げ、ノブを時計方向に回して締めます。(図 43)

- ・ 新しいソーチェンを組み立てた後、そのソーチェンを慣らし運転するまでチェンの張りを頻繁に点検してください。
- ・ チェンの張りは定期的に点検してください。適切なチェンの張りにより、良好な切削性能と長寿命が得られます。

### チェンブレイキを取り付け直すには

チェンブレイキがロックされているときにクラッチカバーが誤って外れた場合、クラッチドラムに固着しないようにクラッチカバーを組み立てるため、チェンブレイキのロックを解除する必要があります。



**注意：**チェンブレイキスプリングには張力がかかっています。チェンブレイキを取り付け直すときには注意してください。

**注記：**取り付け直すときには、ブレイキバンドをつかまないでください。

1. パーツールの切欠部をブレイキ回転リンクに合わせ取り付けます。(図 44)
2. ブレイキを取り付け直すには、リンクを時計方向に止まるまで回します。チェンブレイキのロックが解除されているとき、前側リンクは回転位置の下側にきます。(図 45)(図 46)

## 操作



**警告：**本製品を操作する前に、安全に関する章を読んで理解してください。

### 燃料を使用するには



**注意：**本製品は 2 サイクルエンジンを備えています。ガソリンと 2 サイクルエンジンオイルの混合物を使用してください。混合物には正しい量のオイルを使用してください。ガソリンとオイルの割合を間違えると、エンジンが損傷する場合があります。

### 燃料混合比

ガソリンとエンジンオイルの燃料混合比は、50:1 (2%) です。

ガソリン	2 サイクルエンジンオイル
1 米ガロン	77 ml ( 2.6 オンス )
1 英ガロン	95 ml ( 3.2 オンス )
5 l	100 ml ( 3.4 オンス )

### 燃料混合物を作るには

1. ガソリンとエンジンオイルの適切な量を決定します (混合比 50:1)。使い切るのに 30 日以上かかる量の燃料混合物は作らないでください。燃料を使用するには 421 ページを参照してください。
2. ガソリンの半量を、逆流防止バルブ付きの清潔な燃料容器に加ええます。



**注意：** エタノール濃度が 10 % ( E10 ) を超えるガソリンは使用しないでください。本製品が損傷する場合があります。



**注意：** オクタン価が 90 RON ( 87 AKI ) 未満のガソリンは使用しないでください。本製品が損傷する場合があります。

**注記：** 本製品を継続的に高速なエンジン速度で使用することが頻繁な場合は、オクタン価の高いガソリンを使用してください。

- 2 サイクルエンジンオイルの全量を燃料容器に加えます。



**注意：** 常に、高品質の空冷式 2 サイクルエンジンオイルを使用してください。それ以外のオイルを使用すると、本製品が損傷する場合があります。

4. 燃料混合物を振って混ぜ合わせます。
5. ガソリンの残りの量を燃料容器に加えます。
6. 燃料混合物を振って混ぜ合わせます。
7. 本製品の燃料タンクに燃料混合物を充填します。燃料を使用するには 421 ページを参照してください。

### 燃料タンクを充填するには

1. 燃料混合物が適切であること、および燃料混合物が漏れ防止バルブ付きの燃料容器に入っていることを確認します。
2. 容器に燃料が付着している場合は、不要な燃料を除去し、容器を乾かします。
3. 燃料タンクキャップ周辺が汚れていないことを確認します。
4. 燃料タンクキャップを取り外します。
5. 燃料容器を振ってから、燃料タンクに燃料混合物を入れます。
6. 燃料タンクキャップを元に戻します。

### ソーチェンに注油するには

本製品には、自動潤滑システムが搭載されています。チェンソーのオイルタンクと燃料タンクは、チェンオイルがなくなる前に燃料がなくなるように設計されています。この安全機能では、正しいチェンオイルを使用し、指示に従う必要があります。

1. 植物油をベースにしたチェンオイルが標準的なチェンオイルを使用します。
2. ソーチェンオイルタンクのキャップ周辺が汚れていないことを確認します。
3. ソーチェンオイルタンクのキャップを取り外します。
4. 推奨されているソーチェンオイルをソーチェンオイルタンクに充填します。
5. ソーチェンオイルタンクのキャップを元に戻します。

## 始動および停止するには

### エンジンを始動する前に

- 部品に欠落、損傷、緩み、摩耗がないかどうかを点検します。
- ナット、ネジ、およびボルトを点検します。
- エアフィルターを点検します。
- トリガーロックとトリガーが正しく動作するかどうかを点検します。
- ストップスイッチが正しく動作するかどうかを点検します。
- 本製品に燃料漏れがないかどうかを点検します。
- ソーチェンの目立てと張りを点検します。

### 冷機エンジンを始動するには

1. フロントハンドルガードを前方に動かして、チェンブレーキをはめます。(図 47)
2. プライマバルブを 6 回押します。(図 48)
3. チョークコントロールをフルチョークの位置まで動かします。(図 49)
4. 左手で本製品の本体を地面に固定します。右足をリヤハンドルに入れて、チェンソーを安定させます。軽い抵抗を感じるまで、スターターロープハンドルをゆっくりと引きます。次に、スターターロープハンドルを強く 5 回引きます。(図 50)

**注記：** エンジン始動時にはトリガーを引かないでください。

5. チョークコントロールをチョークのない位置まで動かします。
6. エンジンが始動するまで、スターターロープハンドルを引きます。エンジンの始動後 60 秒間待ってから、トリガーを引きます。



**注意：** エンジンが停止するまで、スターターロープを引かないでください。スターターロープは完全に引くまで放さないでください。スターターロープをゆっくりと放します。エンジンの損傷を防止するために、これらの手順に従ってください。

7. フロントハンドルガードをフロントハンドルの方向に引いて、チェンブレーキを解除します。
8. 右手でリヤハンドルを持ち、左手でフロントハンドルを持ちます。
9. 本製品を使用します。

### 暖機エンジンを始動するには

1. フロントハンドルガードを前方に動かして、チェンブレーキをはめます。
2. プライマバルブを 6 回押します。
3. チョークコントロールをフルチョークの位置まで動かします。
4. チョークコントロールをチョークのない位置まで動かします。

5. 左手で本製品の本体を地面に固定します。右足をリヤハンドルに入れて、チェーンを安定させます。軽い抵抗を感じるまで、スターターロープハンドルをゆっくりと引きます。次に、エンジンが始動するまで、スターターロープハンドルを強く引きます。(図 51)

**注記：** エンジン始動時にはトリガーを引かないでください。



**注意：** エンジンが停止するまで、スターターロープを引かないでください。スターターロープは完全に引くまで放さないでください。スターターロープをゆっくりと放します。エンジンの損傷を防止するために、これらの手順に従ってください。

6. フロントハンドガードをフロントハンドルの方向に引いて、チェーンブレーキを解除します。
7. 右手でリヤハンドルを持ち、左手でフロントハンドルを持ちます。
8. 本製品を使用します。

### 燃料が過熱しているときにエンジンを始動するには

本製品が始動しない場合、燃料が過熱している可能性があります。

**注記：** 必ず新しい燃料を使用し、温暖な気候での稼働時間を減らしてください。

1. 直射日光の当たらない、涼しい場所に置きます。
2. 20 分以上冷却します。
3. ブライマバルブを 10~15 秒間繰り返し押しします。
4. 冷機エンジンの始動手順に従います。冷機エンジンを始動するには 422 ページを参照してください。

### エンジンを停止するには

- 停止スイッチを押してエンジンを停止します。

**注記：** 停止スイッチが自動的に元の位置に戻ります。

### スパイクバンパーを使用するには

スパイクバンパーは切断時にキックバックを防ぎ、木を保持します。スパイクバンパーは、エンジン本体とガイドバーの間にあるピボットです。

1. スパイクバンパーの下端を正しい幅の位置に置きます。
2. 右手でリヤハンドルを持ち上げながら、左手でフロントハンドルを押します。
3. 正しい幅になるまで切断します。

**注記：** つるは同じ厚さにする必要があります。

4. 直径の半分以上を切断した後、伐採クサビを切断部に入れます。

### 伐倒するには

1. 木からゴミ、石、はがれた樹皮、くぎ、ステーブル、ワイヤーを取り除きます。
2. 伐倒方向に対して垂直に、木の直径の 1/3 の切欠部を作ります。(図 52)
3. 下側に水平方向の切欠部を作ります。これにより、2 つ目の切欠部が作られたときに、ソーチェーンやガイドバーが挟まれないようにできます。
4. 追い口 (X) を水平切欠部よりも 50 mm (2 インチ) 以上高くします。追い口と水平切欠部が平行になるように保ち、つるの部分を十分に残します。つるから切断しないようにしてください。つるの部分は、木がねじれたり間違った方向に倒れたりするのを防ぎます。(図 53)(図 54)
5. 追い口がつるに近づく、木が倒れ始めます。木が正しい方向に倒れることができるようにします。木が後方に揺れたり、ソーチェーンを挟んだりしていないことを確認します。これを防止するために、追い口が完了する前に切断を止めます。木、プラスチック、またはアルミニウム製のクサビを使用して切断部を開き、必要な伐倒線に沿って木が倒れるようにします。(図 55)
6. 木が倒れ始めたら、切断部から本製品を取り除き、エンジンを停止し、本製品を置いてから、計画した退避路を使用します。頭上にある枝の落下に注意し、足場に気を付けてください。(図 56)

### 枝を切断するには

1. 大きな枝を使用して丸太を地面から浮かせます。
2. 小さな枝を一度に切断して取り除きます。(図 57)
3. ソーチェーンやガイドバーが挟まれないようにするために、下から上に張力がかかっている枝を切断します。

### 丸太を切断するには



**注意：** ソーチェーンが地面に触れないようにします。

- 丸太が全長で支えられている場合は、丸太の上部から切断します (オーバーバックング)。(図 58)
- 丸太が一端のみで支えられている場合は、丸太の下側から直径の 1/3 を切断します (アンダーバックング)。(図 59)
- 丸太が両端で支えられている場合は、上から直径の 1/3 を切断します。最初の切断部に達するまで、丸太の下部 2/3 をアンダーバックングして切断を完了します。(図 60)
- 斜面で丸太を切断する場合は、必ず丸太の高い側に立って作業します。本製品の完全なコントロールを維持しながら丸太を切断し、リヤハンドルとフロントハンドルをしっかり握りながら切断部の端近くで切断圧力を解放します。(図 61)



# メンテナンス



**警告：** 本製品を清掃、修理またはメンテナンスする前に、安全に関する章を読んで理解してください。

- エンジンのアイドルリング中にソーチエンが回転しないことを確認します。

## 毎週行うメンテナンス

- 冷却システムが正常に機能することを確認します。
- スターター、スターターロープ、およびリターンズプリングが正常に機能することを確認します。
- 防振装置に損傷がないことを確認します。

(図 67)

- ガイドバーの縁からすべてのバリをヤスリで削り取ります。
- マフラーのスパークアレスタースクリーンを清掃するか交換します。

(図 68)

- キャブレターの外面とその周辺を清掃します。
- エアフィルターを清掃します。エアフィルターが損傷しているか汚れがひどくて完全に清掃できない場合は、新しいエアフィルターを取り付けてください。詳細については、エアフィルターを洗浄するには 425 ページを参照してください。

## 毎月行うメンテナンス

- チェンブレイキのブレイキバンドに摩耗がないかどうかを点検します。ブレイキバンドの最も摩耗した箇所の厚さが 0.6 mm (0.024 インチ) 未満の場合は交換します。

(図 69)

- クラッチセンター、クラッチドラム、およびクラッチスプリングに摩耗がないか点検します。
- スパークプラグを清掃します。電極間隔が正しいことを確認します。

(図 70)

- キャブレターの外面とその周辺を清掃します。
- 燃料フィルターと燃料ホースを点検します。(必要に応じて交換する)。
- 燃料タンクを空にします。
- オイルタンクを空にします。
- すべてのコードと接続部を点検します。

## 毎年行うメンテナンス

- スパークプラグを点検します。
- キャブレターの外面とその周辺を清掃します。
- 冷却システムを洗浄します。
- スパークアレスタースクリーンを点検します。
- 燃料フィルターを交換します。
- 燃料ホースに損傷がないかどうかを点検します。
- すべてのコードと接続部を点検します。

## 不定期で行うメンテナンス

- 作業の時間が 50 時間になった後、認定サービセンターにマフラーの修理または交換を依頼します。

## メンテナンススケジュール

メンテナンススケジュールに従うようにしてください。メンテナンス間隔は、毎日本製品の使用から計算されます。製品を毎日使用しない場合、メンテナンス間隔は異なります。本取扱説明書に記載されているメンテナンス作業のみを行ってください。本取扱説明書に記載されていない他のメンテナンス作業については、認定サービセンターにお問い合わせください。

### 毎日行うメンテナンス

- 外面を清掃します。
- ロックとトリガーが正常に動作することを確認します。
- チェンブレイキを清掃し、チェンブレイキが正常に動作することを確認します。

(図 62)

- チェンキャッチャーに損傷がないかどうかを点検します。損傷している場合は、チェンキャッチャーを交換します。

(図 63)

- 均一に摩耗するように、ガイドバーを毎日回転させます。
- ガイドバーの潤滑孔が詰まっていないことを確認します。

(図 64)

- ガイドバーの溝を清掃します。

(図 65)

- ガイドバーとソーチエンに十分なオイルが注油されていることを確認します。
- ソーチエンの点検：
  - リベットやリンクにヒビが入っていないか。
  - リベットやリンクが異常に摩耗していないか。
  - 張りが適切か。

必要に応じて、ソーチエンを交換します。

- ソーチエンを目立てします。ソーチエンを目立てするには 425 ページを参照してください。
- ドライブスプロケットが過剰に摩耗していないか点検し、必要に応じて交換します。

(図 66)

- スターターのエアインテークを掃除します。
- ナットとネジが確実に締められていることを確認します。
- 停止スイッチが正常に機能することを確認します。
- エンジン、タンクおよび燃料ホースに燃料漏れがないかどうかを点検します。



- 次の場合は、スパークプラグに対するメンテナンスを行います。
  - エンジンの出力レベルが低下したとき。
  - エンジンが始動しにくいとき。
  - エンジンがアイドリング速度で適切に動作しないとき。
- 給油のたびにソーチェンの潤滑状態を点検します。ソーチェンの潤滑状態をチェックするには 426 ページを参照してください。

## アイドリング速度を調整するには

アイドリング速度を調整する前に、エアフィルターに汚れがなく、エアフィルターカバーが取り付けられていることを確認します。

1. アイドリング調節ネジ (T マークが付いています) をソーチェンが回り始めるまで時計回りに回します。
2. アイドリング調節ネジ (T マークが付いています) をソーチェンが動かなくなるまで反時計回りに回します。
3. アイドリング速度は、ソーチェンが回転し始める速度を下回る必要があります。アイドリング速度が正しくなると、エンジンが全方向にスムーズに動作します。

## スパークアレスタースクリーンを清掃するには

1. ワイヤブラシを使用して、スパークアレスタースクリーンを清掃します。

## スパークプラグに対するメンテナンスを行うには



**注意：**推奨されているスパークプラグを使用します。交換部品がメーカー提供の部品と同じであることを確認します。誤ったスパークプラグを使用すると、本製品が損傷することがあります。

1. 本製品が始動しにくい、または動作しにくい場合は、スパークプラグに異物がないかどうかを点検します。スパークプラグ電極に異物が付着するリスクを下げるには、
  - a) アイドリング速度が正しく調整されていることを確認します。
  - b) 適切な燃料混合物を使用していることを確認します。
  - c) エアフィルターに汚れがないことを確認します。
2. スパークプラグを清掃します (スパークプラグが汚れている場合)。電極間隔が正しいことを確認します。(図 71)
3. 必要に応じて、スパークプラグを交換します。

## エアフィルターを洗浄するには

1. エアフィルターカバーを取り外して、エアフィルターを取り出します。
2. 暖かい石鹸水でエアフィルターを洗浄します。エアフィルターは乾燥させてから取り付けます。
3. 十分に洗浄しても汚れが落ちない場合は、エアフィルターを交換します。破損したエアフィルターは必ず交換してください。

## ソーチェンを目立てするには

### カッター

ソーチェンの刃部はカッターと呼ばれ、刃 (A) とデブスゲージ (B) で構成されています。カッターの切削の深さは、この 2 つの高さの差、デブスゲージの設定 (C) によって決まります。

(図 72)

刃を目立てするときは、下記の 4 つの重要な要素に注意してください。

- 目立て角度。

(図 73)

- 切削角度。

(図 74)

- ヤスリの位置。

(図 75)

- 丸ヤスリの直径。

(図 76)

### 刃を目立てするには

丸ヤスリと目立てゲージを使用して刃を目立てします。お使いの製品に取り付けられているソーチェンに推奨されているヤスリとゲージの寸法については、ソーチェンの目立てとソーチェンの組み合わせ 428 ページを参照してください。

1. ソーチェンの張り具合が正しいことを確認します。ソーチェンにたるみがあると横滑りを起こし、正しい目立てが難しくなります。
2. まず、片側のすべての刃にヤスリをかけます。内側から刃にヤスリをかけ、戻りストロークの圧力を下げます。
3. 本製品をひっくり返して、反対側の刃にヤスリをかけます。
4. 刃の長さが揃うようにヤスリをかけてください。刃の長さが 4 mm (5/32 インチ) になった場合は、ソーチェンが摩耗しているため、交換する必要があります。(図 77)

## デブスゲージの設定を調整するには

デブスゲージ設定を調整する前に、刃を目立てします。刃を目立てするには 425 ページを参照してください。刃 (A) の目立てを行うと、デブスゲージ設定 (C) が低くなります。最適な切削性能を維持するには、デブスゲージ (B) にヤスリをかけて、推奨のデブスゲージ設定を実現する必要があります。お使いのチェンに適したデブスゲージ設定を確認するには、ソーチェンの目立て

とソーチェンの組み合わせ 428 ページを参照してください。

(図 78)  
(図 79)

**注記：**これは、刃が著しく短くなっていない場合に限ります。

平ヤスリとデブスゲージツールを使用して、デブスゲージを調整します。

1. デブスゲージツールをソーチェンの上に置きます。デブスゲージツールの使用方法に関する詳細は、デブスゲージツールのパッケージに記載されています。
2. 平ヤスリを使用してデブスゲージツールから突き出たデブスゲージ先端にヤスリをかけます。デブスゲージツールに沿ってヤスリを引くときに抵抗を感じなくなったら、デブスゲージの設定は正しく調整されています。

### ソーチェンの張りを調整するには

**注記：**慣らし運転中は、新しいソーチェンの張りを頻繁に点検してください。

1. スプロケットカバーを保持するガイドバーナットを緩めます。コンビレンチを使用してください。(図 80)
2. ガイドバーナットを手でできるだけきつく締めめます。
3. ガイドバーの上部を引き上げ、チェンの張り調整ネジを締めることでソーチェンを伸ばします。コンビ

レンチを使用してください。ガイドバーの下部からソーチェンが垂れ下がらないように、ソーチェンを締め込みます。(図 81)

4. コンビレンチを使用してガイドバーナットを締め込み、同時にガイドバーの上部を持ち上げます。(図 82)
5. ソーチェンを手で自由に回せることと、ソーチェンがたわんでいないことを確認します。(図 83)

### カッティング装置に注油するには

#### ソーチェンの潤滑状態をチェックするには

給油のたびにチェンソーの潤滑状態を点検します。

1. 本製品を始動し、3/4 の速度で運転します。約 20 cm (8 インチ) 離れたところにある表面の色が薄い物にガイドバーのノーズを向けます。
2. 約 1 分運転すると、表面にオイルの線が表れます。
3. 1 分経過してもオイルの線が見えない場合は、ガイドバーのオイル孔を清掃します。ガイドバーの端にある溝を清掃します。ガイドバーのノーズスプロケットが自由に回転すること、および注油孔が詰まっていないことを確認します。ノーズスプロケットを清掃して注油します。
4. 本製品を始動し、3/4 の速度で運転します。約 20 cm (8 インチ) 離れたところにある表面の色が薄い物にバーのノーズを向けます。
5. 約 1 分運転すると、表面にオイルの線が表れます。
6. 1 分経過してもオイルの線が見えない場合は、認可された販売店にお問い合わせください。

## 搬送

- 搬送前に、燃料タンクとチェンオイルタンクを空にしてください。使用済み液体は適切に廃棄してください。
- 搬送中は、カッティング装置にガイドバーカバーを取り付けてください。これにより、鋭利なソーチェンに誤って触れることを防止できます。運転中では

ないソーチェンに触れると、怪我をするおそれがあります。

- 搬送前に、スパークプラグからスパークプラグキャップを外してチェンプレーキをはめてください。
- 搬送中は、本製品が動かないようにしてください。

## 保管

- 運転中でないときは、本製品を安全に保管してください。本製品からの漏れや排気ガスは、電気機器、電気芝刈り機、リレー / スイッチ、ボイラーなどから発した火花や裸火に接触することがあります。
- 燃料は必ず、認可された容器に保管してください。
- 本製品を長期間保管するときは、燃料タンクとチェンオイルタンクを空にしてください。使用済み液体は適切に廃棄してください。

- 保管中は、ガイドバーにガイドバーカバーを取り付けてください。これにより、鋭利なソーチェンに誤って触れることを防止できます。運転中でないソーチェンに触れると、重傷を負うおそれがあります。
- 保管前に、スパークプラグからスパークプラグキャップを外してチェンプレーキをはめてください。

## 主要諸元

	単位	120 Mark II ( P02138HV )
<b>エンジン仕様</b>		
排気量	cm <sup>3</sup>	38
スパークプラグ		Champion RCJ7Y
電極ギャップ	mm ( インチ )	0.5 ( 0.02 )
燃料タンク容量	cm <sup>3</sup>	300
アイドリング速度	min <sup>-1</sup>	2800-3200
9000 min <sup>-1</sup> における出力	kW	1.4
排出耐久時間	h	50
<b>騒音と振動データ</b>		
等価振動レベル、 $h_{veq}$ フロントハンドル <sup>141</sup>	m/s <sup>2</sup>	4.5
等価振動レベル、 $h_{veq}$ リヤハンドル <sup>142</sup>	m/s <sup>2</sup>	6.0
保証音響レベル ( $L_{WA}$ ) <sup>143</sup>	dB ( A )	116
実測音響レベル <sup>144</sup>	dB ( A )	110
使用者の耳における騒音レベル <sup>145</sup>	dB ( A )	95
<b>製品の寸法</b>		
重量 ( カutting装置を除く )	kg	4.9
オイルタンク容量	cm <sup>3</sup>	200
<b>燃料および潤滑システム</b>		
9000 min <sup>-1</sup> におけるオイルポンプ能力	ml/分	7
オイルタンク容量	cm <sup>3</sup>	200
オイルポンプの型式		全自動
<b>ソーチェンとガイドバー</b>		
ガイドバーの標準長	cm ( インチ )	35 ~ 40 ( 14 ~ 16 )
バーの推奨長	cm ( インチ )	35 ~ 45 ( 14 ~ 18 )
切断できる長さ	cm ( インチ )	34 ~ 39 ( 13.5 ~ 15.5 )

<sup>141</sup> 等価振動レベルは ISO 22867 に則し、さまざまな作動状態における振動レベルの時間加重エネルギーとして計算されます。報告データによれば、等価振動レベルの一般的な統計上のばらつき ( 標準偏差 ) は 1m/s<sup>2</sup> です。

<sup>142</sup> 等価振動レベルは ISO 22867 に則し、さまざまな作動状態における振動レベルの時間加重エネルギーとして計算されます。報告データによれば、等価振動レベルの一般的な統計上のばらつき ( 標準偏差 ) は 1m/s<sup>2</sup> です。

<sup>143</sup> 環境における騒音排出は、音響パワー (  $L_{WA}$  ) として測定。

<sup>144</sup> 環境における騒音排出は、音響パワー (  $L_{WA}$  ) として測定。

<sup>145</sup> 等価騒音レベルは、さまざまな作動状態における騒音レベルの時間加重エネルギーとして計算されます。等価騒音レベルの一般的な統計上のばらつきは、1 dB ( A ) の標準偏差となります。

	単位	120 Mark II ( P02138HV )
最大ソーチェン速度	m/s	22.3
ソーチェンのピッチ	mm ( インチ )	8.3 ( 0.325 ) 9.52 ( 3/8 )
ドライブリンク ( ゲージ ) の厚さ	mm ( インチ )	1.3 ( 0.05 )
ドライブsprocketのタイプ		スパー
ドライブsprocketの歯の数		6 (ドライブsprocket の 3/8) 7 (ドライブsprocket の 0.325)

## アクセサリ

### ガイドバーとソーチェンの組み合わせ

本製品での使用が認可されているカッティングアタッチメントは次のとおりです。

ガイドバー				ソーチェン	
長さ、cm ( インチ )	ピッチ、mm ( インチ )	ゲージ、mm ( インチ )	最大ノーズ半径	型式	ドライブリンク数
33 ( 13 )	8.25 ( 0.325 )	1.3 ( 0.050 )	10T	Husqvarna H30	56
38 ( 15 )	8.25 ( 0.325 )				64
35 ( 14 )	9.52 ( 3/8 )		7T	ハスクバーナ H37	52
40 ( 16 )	9.52 ( 3/8 )				56
45 ( 18 )	9.52 ( 3/8 )				62

### ソーチェンの目立てとソーチェンの組み合わせ

ソーチェン					
チェンの種類	丸ヤスリのサイズ	サイドプレートの角度	上部プレートの角度	ヤスリゲージの角度	デブスゲージの設定
H30	3/16 インチ/4.8 mm	60°	30°	10°	0.025 インチ/ 0.65 mm
H37	5/32 インチ/4.0 mm	60°	30°	0°	0.025 インチ/ 0.65 mm

---

## EC 適合宣言の内容

---

SE 561 82 Huskvarna, SWEDEN に所在する Huskvarna AB は、以下の製品

説明	ガソリンチェンソー
ブランド	ハスクバーナ
プラットフォーム / タイプ / モデル	プラットフォーム P02138HV、代表モデル 120 Mark II
バッチ	2018 年以降の製造番号

が以下の EU 指令および規制を完全に順守し、

指令 / 規制	説明
2006/42/EC	「機械類に関する」
2014/30/EU	「電磁環境適合性に関する」
2000/14/EC	「屋外の騒音に関する」

次の整合規格および / または技術仕様が適用されていることを当社単独の責任で宣言します。EN ISO 12100、EN ISO 11681-1、CISPR 12、ISO 14982

指令 2000/14 / EC の付録 V に従って、宣言した音響値はこの取扱説明書の主要諸元のセクションと署名済み EC 適合宣言に記載されています。

Tillystraße 2 - 90431 Nürnberg, Germany に所在する機械の公認機関 ( 0197 で公認 ) である TÜV Rheinland LGA Products GmbH は、2006/42/EC の条項 12、項目 3b に基づいて EC タイプコントロールテストを実施しました。

付録 IX に従った署名済み適合宣言に記載されているタイプコントロールテストの証明書は、本製品に明記されているように、すべての製造場所と製造国に適用されません。

本チェンソーは、EC タイプコントロール適格のサンプル品に相当するものです。

---

## 목차

---

서문.....	430	운송.....	439
안전성.....	431	보관.....	439
조립.....	434	기술 정보.....	440
작동.....	435	액세서리.....	441
유지 보수.....	437	EC 준수 선언문의 내용.....	441

---

## 서문

---

### 사용자 설명서

본 사용자 설명서의 초기 언어는 영어입니다. 다른 언어의 사용자 설명서는 영어 번역본입니다.

### 개요

(그림 1)

1. 제품 및 일련 번호 명판
2. 트리거 로크아웃
3. 앞 핸들
4. 실린더 커버
5. 체인 브레이크 및 앞 손 보호대
6. 소음기
7. 스파이크 범퍼
8. 바 끝 스프로킷
9. 오른손 보호대
10. 트리거
11. 스프로킷 덮개
12. 체인 캐처
13. 가이드 바
14. 톱 체인
15. 시동기 핸들
16. 체인 오일 탱크
17. 시동기
18. 연료 탱크
19. 초크 제어 장치
20. 뒤 핸들
21. 정지 스위치
22. 공전 조절 나사
23. 프라이머 전구
24. 정보와 주의 그림
25. 체인 장력 조절 나사
26. 가이드 바 커버
27. 콤비네이션 공구
28. 2행정 오일
29. 사용자 설명서(EPA)

(그림 4) 승인된 머리 보호 장구, 귀 보호 장구 및 시각 보호 장구를 사용하십시오.

(그림 5) 승인된 보호용 장갑을 사용하십시오.

(그림 6) 이 제품은 적용 가능한 EC 지침 조항을 준수합니다.

(그림 7) 소음 출력 수준

(그림 8) 체인 브레이크, 체결되지 않음(왼쪽). 체인 브레이크, 체결됨(오른쪽)

(그림 9) 초크 제어 장치

(그림 10) 프라이머 전구

(그림 11) 연료 공급

(그림 12) 체인 오일 주입

(그림 13) 이 제품은 적용 가능한 EAC 지침 조항을 준수합니다.

(그림 14) 이 제품은 적용 가능한 우크라이나 지침 조항을 준수합니다.

(그림 15) 소음 수준

(그림 16) 제품을 양손으로 적절히 잡으십시오.

(그림 17) 한 손으로 사용하지 마십시오.

(그림 18) 가이드 바 끝과 접촉하지 않도록 하십시오.

(그림 19) 기계 반동에 주의하십시오.

(그림 20) 본 제품은 적용 가능한 호주 및 뉴질랜드 자기 호환성 지침 조항을 준수합니다.

**주:** 제품에 대한 여타 기호/그림은 기타 상업 지역의 인증 요구사항을 나타냅니다.

---

### 제품의 기호

(그림 2) 경고

(그림 3) 이 설명서를 읽으십시오.

## 제품 책임

제조를 책임법에 언급된 바와 같이, 당사는 다음과 같은 경우에 당사 제품이 초래한 손해에 대한 법적 책임이 없습니다.

- 제품이 올바르게 사용되지 않았거나 수리된 경우

- 제품이 제조업체에서 제공하지 않았거나 승인하지 않은 부품으로 수리된 경우
- 제품이 제조업체에서 제공하지 않았거나 승인하지 않은 액세서리가 있는 경우
- 제품이 인가된 서비스 센터 또는 인가된 기관에서 수리되지 않은 경우

## 안전성

### 안전 정의

아래 정의는 각 신호어의 심각도를 나타냅니다.



**경고:** 인적 상해.



**주의:** 제품 손상.

**주:** 이 정보는 제품을 간편하게 사용하는 데 도움이 됩니다.

### 일반 안전 지침

- 제품을 올바르게 사용하십시오. 잘못 사용할 경우 부상 또는 사망 사고가 발생할 수 있습니다. 이 설명서에 있는 작업에만 제품을 사용하십시오. 제품을 다른 작업에 사용하지 마십시오.
- 이 설명서의 지침을 읽고 이해하고 준수하십시오. 안전 기호와 안전 지침을 준수하십시오. 작업자가 지침과 기호를 준수하지 않을 경우 부상, 손상 또는 사망 사고가 발생할 수 있습니다.
- 이 설명서를 버리지 마십시오. 지침에 따라 제품을 조립 및 작동하고 양호한 상태로 유지하십시오. 지침에 따라 부착물 및 액세서리를 올바르게 설치하십시오.
- 손상된 제품은 사용하지 마십시오. 유지 보수 일정을 준수하십시오. 이 설명서에 지침이 있는 유지 보수 작업만 수행하십시오. 기타 모든 유지 보수 작업은 승인된 서비스 센터에서 수행해야 합니다.
- 이 설명서에 제품을 사용할 때 발생할 수 있는 모든 상황을 다룰 수 없습니다. 항상 조심하며 상체에 근거해 판단하십시오. 상황을 잘 모르는 경우 제품을 작동하거나 제품을 유지 보수하지 마십시오. 제품 전문가, 판매점, 서비스 대리점 또는 승인된 서비스 센터에 정보를 문의하십시오.
- 제품을 조립하거나 보관하거나 유지 보수하기 전에 접화 플러그 케이블을 분리하십시오.
- 제품이 초기 사양에서 변경된 경우 제품을 사용하지 마십시오. 제조업체의 승인 없이 제품의 일부를 변경하지 마십시오. 제조업체가 승인한 부품만 사용하십시오. 잘못된 유지 관리의 결과로 부상이나 사망 사고가 발생할 수 있습니다.
- 엔진에서 나오는 연기를 들이마시지 마십시오. 엔진의 배기가스, 체인 오일 미스트 및 폭발 먼지를 장기 간 흡입하면 건강상 위험이 초래될 수 있습니다.

- 절대 제품을 실내나 인화성 물질 근처에서 작동하지 마십시오. 배기 가스는 매우 뜨거우며 화재를 촉발하는 불꽃이 생길 수 있습니다. 충분한 공기 흐름이 없으면 질식 또는 일산화탄소로 인해 부상을 입거나 사망할 수 있습니다.
- 본 제품은 작동 중 전자기장을 발생시킵니다. 전자기장은 의료용 임플란트에 손상을 줄 수 있습니다. 제품을 작동하기 전에 의사와 의료용 임플란트 제조업체에 문의하십시오.
- 어린이가 제품을 작동하지 못하게 하십시오.
- 지침을 숙지하지 않은 사람이 제품을 작동하지 못하게 하십시오.
- 신체적 능력이나 정신 능력이 저하된 상태에서 제품을 사용하는 사람을 항상 모니터링하십시오. 성인 보호자가 항상 함께 있어야 합니다.
- 어린이 및 승인되지 않은 사람이 접근할 수 없는 구역에 제품을 놓고 잠그십시오.
- 제품에서 물체가 튀어나와 부상을 입을 수 있습니다. 부상 또는 사망의 위험을 줄이려면 안전 지침을 준수하십시오.
- 엔진이 켜져 있을 때는 제품에서 벗어나지 마십시오. 엔진을 정지하고 체인이 회전하지 않는지 확인하십시오.
- 사고가 발생하면 제품 작업자가 책임을 집니다.
- 제품을 사용하기 전에 부품이 손상되지 않았는지 확인하십시오.
- 국내 또는 현지 법률을 참조하십시오. 일부 조건에서 제품의 작동을 방지하거나 줄일 수 있습니다.

### 작동에 대한 안전 지침

- 제품을 지속적으로 또는 정기적으로 사용하면 진동으로 인한 "백랍병" 또는 이와 동등한 의학적 문제가 발생할 수 있습니다. 제품을 지속적으로 또는 정기적으로 사용하는 경우 손과 손가락의 상태를 검사하십시오. 손이나 손가락에 변색이 있거나 통증이 있거나 쑤시거나 마비되는 경우 즉시 작업을 중단하고 의사와 상담하십시오.
- 제품을 사용하기 전에 제품이 완전히 조립되었는지 확인하십시오.
- 제품에서 물체가 튀어나와 눈을 손상시킬 수 있습니다. 제품을 사용할 때는 항상 승인된 시각 보호 장구를 사용하십시오.
- 어린이는 작업 중 갑자기 제품 근처에 올 수 있으므로 조심하십시오.
- 작업 구역에 사람이 있는 경우 제품을 작동하지 마십시오. 사람이 작업 구역에 들어갈 경우 제품 사용을 중지하십시오.

(그림 21)

- 항상 제품을 통제하고 있어야 합니다.
- 제품은 두 손으로 사용해야 합니다. 한 손으로 제품을 작동하지 마십시오. 작업자, 근로자, 구경꾼 또는 이러한 사람들이 섞여 있을 때 한 손으로만 작동하면 심각한 부상이 발생할 수 있습니다.
- 왼손으로 앞 핸들을 잡고 오른손으로 뒤 핸들을 잡으십시오. 제품을 몸의 오른쪽에 고정하십시오

(그림 22)

- 피곤하거나, 아프거나, 알코올이나 다른 약물의 효과가 나타나거나 동안에는 제품을 작동하지 마십시오.
- 사고가 났을 때 도움을 받을 수 없다면 제품을 사용하지 마십시오. 제품을 시동하기 전에 제품을 작동할 것임을 다른 사람들에게 알리십시오.
- 안전 구역에 사람이거나 동물이 없는지 확인하기 전에 제품을 켜지 마십시오.
- 시동하기 전에 작업 구역에서 불필요한 모든 재료를 제거하십시오. 체인이 물체에 닿으면 물체가 튕겨 나와 부상을 입거나 손상될 수 있습니다. 불필요한 재료가 체인에 감겨 손상될 수 있습니다.
- 안개, 비, 강풍, 번개 또는 기타 기상 조건과 같은 악천후 시에는 제품을 사용하지 마십시오. 악천후로 인해 미끄러운 표면과 같은 위험한 상황이 발생할 수 있습니다.
- 움직임이 자유롭고 안정된 자세로 작업할 수 있는지 확인하십시오.
- 제품을 사용할 때 추락하지 않도록 주의하십시오. 제품을 사용할 때 기울이지 마십시오.
- 항상 양손으로 제품을 잡으십시오. 왼손으로 앞 핸들을 잡고 오른손으로 뒤 핸들을 잡으십시오. 제품을 몸의 오른쪽에 고정하십시오
- 엔진을 시동할 때 초크 제어장치가 초크 위치에 있으면 체인이 회전을 시작합니다.
- 제품을 옮기기 전에 엔진을 정지하십시오.
- 엔진이 켜진 상태에서 제품을 내려놓지 마십시오.
- 제품에서 필요 없는 재료를 제거하기 전에 엔진을 정지하십시오. 작업자 또는 보조자가 절단된 재료를 제거하기 전에 체인을 정지하도록 하십시오.
- 나무에서 이 제품을 작동시키지 마십시오. 나무 위에서 제품을 작동하는 경우 인명 사고를 일으킬 수 있습니다.

(그림 23)

- 시동 중 움직이는 체인 톱과 접촉 위험을 줄이기 위해서는 제품을 시동할 때 체인 브레이크가 작동되어야 합니다.

(그림 24)

- 기계 반동, 스케이팅, 바운싱 및 낙하를 피하십시오. 심각한 부상을 초래할 수 있습니다.
- 기계 반동과 심각한 부상을 입을 수 있는 다른 힘을 피하려면 모든 안전 규칙을 준수하십시오.
- 체인 톱이 느슨해지지 않도록 체인 톱 장력을 정기적으로 조정하십시오. 톱 체인이 느슨하면 튕겨나가 심각한 부상 또는 사망을 야기할 수 있습니다.
- 잘못된 절차를 사용하여 나무를 쓰러뜨리지 마십시오. 이로 인해 사람이 다치거나 송전선이 손상되거나 재산 피해가 발생할 수 있습니다.

- 나무가 쓰러진 후에 내리막으로 구르거나 미끄러질 가능성이 있으므로 작업자는 지형의 오르막에 있어야 합니다.

(그림 25)

- 절단을 시작하기 전에 탈출 경로를 계획하고 통로를 확보하십시오. 탈출 경로는 예상되는 추락 라인의 뒤쪽 대각선으로 연장되어야 합니다.

(그림 26)

- 나무 사이로 제품을 옮기기 전에 항상 엔진을 정지하십시오.
- 단단히 땅에 발을 딛고 체중을 골고루 분산시켜야 합니다.

(그림 27)

- 항상 발을 올바르게 딛고 고정되고, 안전하며, 수평인 곳에서만 제품을 작동하십시오. 사다리나 같이 미끄럽거나 불안정한 곳에서는 균형을 잃거나 제어하지 못할 수 있습니다.

(그림 28)

**기계 반동, 스케이팅, 바운싱 및 낙하**

상이한 힘이 제품의 안전한 제어에 영향을 줄 수 있습니다.

- **스케이팅**은 가이드 바가 나무를 가로 질러 슬라이드하거나 빠르게 움직이는 경우입니다.
- **바운싱**은 가이드 바가 반복해서 나무에서 떨어졌다 다시 닿는 경우입니다.
- **낙하**는 절단 후에 제품이 떨어지는 경우입니다. 이로 인해 움직이는 체인이 신체나 다른 물체의 일부에 닿아 부상 또는 손상을 입을 수 있습니다.
- **기계 반동**은 가이드 바의 끝이 물체에 닿아 갑자기 뒤, 위 또는 앞으로 움직이는 경우입니다. 절단하는 동안 나무가 체인 톱에 다물거나 끼일 때도 기계 반동이 발생합니다. 제품이 나무에 있는 물체에 닿으면 톱 재력이 상실될 수 있습니다.

(그림 29)

- **회전 기계 반동**은 움직이는 체인이 가이드 바 상단의 물체에 닿을 때 발생할 수 있습니다. 이로 인해 체인이 물체에 묻혀 체인이 즉시 정지하게 됩니다. 결과적으로 가이드 바가 작업자를 향해 위와 뒤로 움직이는 매우 빠른 역반응이 발생합니다.

(그림 30)

(그림 31)

- **핀칭 기계 반동**은 절단 중에 체인 톱이 갑자기 멈출 때 발생할 수 있습니다. 나무가 가이드 바 상단을 따라 움직이는 체인 톱에 다물거나 끼입니다. 체인이 갑자기 정지하면 체인 힘이 반전되어 제품이 체인의 회전 방향과 반대 방향으로 움직입니다. 제품이 작업자를 향해 뒤로 이동합니다.

(그림 32)

- **풀인**은 움직이는 체인이 가이드 바 바닥을 따라 나무의 물체에 닿으면 체인 톱이 갑자기 정지할 때 발생할 수 있습니다. 갑작스럽게 정지하면 제품이 앞쪽으로 당겨지고 작업자로부터 떨어져 작업자가 제품 통제력을 쉽게 상실할 수 있습니다.



### (그림 33)

제품을 작동하기 전에 다양한 힘과 이를 방지하는 방법을 이해했는지 확인하십시오.

## 기계 반동, 스케이팅, 바운싱 및 낙하 방지 방법

- 엔진이 작동하는 동안 제품을 단단히 잡으십시오. 오른손은 뒤 핸들을, 왼손은 앞 핸들을 잡으십시오. 엄지와 손가락으로 손잡이를 단단히 잡으십시오. 놓치지 마십시오.
- 절단하는 동안 그리고 나무가 땅에 떨어진 후까지 계속 제품을 제어하십시오. 절단 후 제품의 무게 때문에 떨어뜨리지 않도록 하십시오.(그림 34)
- 절단하는 부분이 막히지 않았는지 확인하십시오. 제품을 작동하는 동안 가이드 바의 끝이 흉나무, 가지 또는 기타 막힌 부분에 닿지 않도록 하십시오.
- 높은 엔진 속도로 자르십시오.
- 몸을 무리하게 앞으로 뻗거나 어깨 높이 위로 자르지 마십시오.(그림 35)
- 제조업체의 체인 톱 연마 및 유지 보수 지침을 준수하십시오.
- 제조업체가 지정한 교체 가이드 바와 체인 톱만 사용하십시오.
- 깊이 게이지 설정 범위가 너무 넓으면 기계 반동의 위험이 증가합니다.

## 개인안전장비

- 제품을 작동할 때는 항상 올바른 개인 보호 장구를 착용하십시오. 개인 보호 장구가 부상의 위험을 없앨 수 있는 것은 아닙니다. 개인 보호 장구의 사고가 발생할 경우 부상의 정도를 감소시킵니다.
- 일반적으로 안전복은 동작의 자유를 제한하지 않는 범위에서 몸에 꼭 맞도록 착용해야 합니다.
- 인가된 안전모를 사용하십시오.
- 제품을 작동하는 항상 승인된 귀 보호 장구를 착용하십시오. 오랜 기간 동안 소음을 들을 경우 청력이 손상될 수 있습니다.
- 보호용 안경 또는 면갑을 착용해 튕겨 나온 물체로부터 부상 위험을 줄이도록 합니다. 제품 사용 중 나무 부스러기나 작은 나무조각 등이 갑작스럽게 빠른 속도로 뿜 수 있습니다. 이는 특히 눈 부위에 심각한 부상을 야기할 수 있습니다.
- 체인 톱 방어용 장갑을 착용하십시오.
- 체인 톱 방어용 바지를 착용하십시오.
- 철제 토 캡 및 미끄럼 방지 밀착이 달린 체인 톱 방어용 안전화를 착용하십시오.
- 근처에 구급 상자가 있는지 확인하십시오.
- 소음기, 가이드 바, 체인 톱 또는 기타 구성품에서 불꽃이 발생할 수 있습니다. 산물을 예방할 수 있는 소화 도구와 삽을 항상 준비하십시오.

## 제품의 보호 장치

- 정기적으로 제품을 유지 보수해야 합니다.
  - 제품 수명이 길어집니다.
  - 사고 위험이 줄어듭니다.
- 승인된 대리점이나 승인된 서비스 센터에서 정기적으로 제품을 검사하여 조정 또는 수리하십시오.

- 보호 장구가 손상된 제품은 절대로 사용하지 마십시오. 제품이 손상된 경우 승인된 서비스 센터에 문의하십시오.

## 정지 스위치

엔진을 시동합니다. 정지 스위치를 정지 위치로 움직일 경우 엔진이 정지하는지 확인하십시오.

## 스로를 트리거 로코아웃 검사 방법

- 트리거 로코아웃(A)을 놓으면 트리거(B)가 공전 상태에서 잠겨 있는지 확인하십시오.(그림 36)
- 트리거 로코아웃(A)을 눌렀다 놓으면 원래 위치로 돌아오는지 확인하십시오.
- 트리거(B)를 눌렀다 놓으면 원래 위치로 돌아오는지 확인하십시오.
- 엔진을 시동한 다음 최대 속도를 적용하십시오.
- 트리거를 놓고 체인 톱이 정지하는지 살펴보십시오.
- 체인 톱이 공전 엔진으로 변하면 기화기의 공전 조절 나사를 검사하십시오.

## 보호대

보호대는 작업자의 방향으로 물체가 배출되는 것을 방지합니다. 보호대는 또한 작업자와 체인 톱이 접촉되는 것을 방지합니다.

- 보호대가 제품과 함께 작동하는지 확인하십시오.
- 보호대 없이 제품을 사용하지 마십시오.
- 보호대가 손상되지 않았는지 확인하십시오. 마모되었거나 균열된 부분이 있으면 보호대를 교체하십시오.

## 연료 안전

- 제품에 연료나 엔진 오일이 있으면 제품을 시동하지 마십시오. 불필요한 연료/오일을 제거하고 제품을 건조하십시오. 불필요한 연료를 제품에서 제거하십시오.
- 옷에 연료가 묻은 경우 즉시 옷을 갈아 입으십시오.
- 몸에 연료가 묻지 않도록 하십시오. 부상을 입을 수 있습니다. 몸에 연료가 묻으면 비누와 물을 사용하여 연료를 제거하십시오.
- 제품 또는 몸에 기름이나 연료가 묻으면 엔진을 시동하지 마십시오.
- 엔진에 누출이 있는 경우 제품을 시동하지 마십시오. 엔진 누출을 정기적으로 검사하십시오.
- 연료에 주의하십시오. 연료는 인화성이고 연기는 폭발성이 있으며 부상 또는 사망 사고를 초래할 수 있습니다.
- 연료 연기를 흡입하지 마십시오. 부상을 입을 수 있습니다. 충분한 공기 흐름이 있는지 확인하십시오.
- 연료나 엔진 근처에서 담배를 피우지 마십시오.
- 연료나 엔진 근처에 따뜻한 물건을 올려놓지 마십시오.
- 엔진이 켜져 있을 때 연료를 보충하지 마십시오.
- 연료를 공급하기 전에 엔진이 냉각되었는지 확인하십시오.
- 연료를 공급하기 전에 연료 탱크 캡을 천천히 열고 조심스럽게 압력을 해제하십시오.

- 실내에서 엔진에 연료를 추가하지 마십시오. 공기 흐름이 충분하지 않으면 질식이나 일산화탄소로 인해 부상이나 사망 사고를 초래할 수 있습니다.
- 연료 탱크 캡을 조심스럽게 조이십시오. 그렇지 않으면 화재가 발생할 수 있습니다.
- 시동하기 전에 탱크를 채운 위치에서 최소 3m(10ft) 떨어진 곳으로 제품을 옮기십시오.
- 연료 탱크에 너무 많은 연료를 넣지 마십시오.
- 제품이나 연료 용기를 이동할 때 누출이 발생하지 않도록 하십시오.
- 화기, 불꽃 또는 점화용 불씨가 있는 곳에 제품이나 연료 용기를 놓지 마십시오. 보관 장소에 화기가 없는지 확인하십시오.
- 연료를 옮기거나 연료를 보관할 때는 승인된 용기만 사용하십시오.
- 장기간 보관하기 전에 연료 탱크를 비우십시오. 연료 폐기에 관한 현지 법률을 준수하십시오.
- 장기간 보관하기 전에 제품을 청소하십시오.
- 제품을 보관하기 전에 점화 플러그 케이블을 분리하여 엔진이 우발적으로 시동되지 않도록 하십시오.

## 유지 보수에 대한 안전 지침

- 기화기 조정을 제외하고 제품 유지 보수를 수행하기 전에 점화 플러그를 분리하십시오.
- *유지 보수 페이오/이/의 437*의 작업을 제외하고 승인된 대리점이 모든 제품 서비스를 수행해야 합니다.
- 스로틀 트리거를 놓았을 때 체인 톱이 멈추는지 확인하십시오.

- 핸들의 물기를 없애고 오일 또는 연료 혼합물이 묻어 있지 않도록 깨끗이 유지하십시오.
- 캡과 패스너를 올바르게 조이십시오.
- 승인되지 않은 부품으로 교체하거나 안전 장치를 제거하면 제품이 손상될 수 있습니다. 이로 인해 작업자 또는 구경꾼에게 상해를 입힐 수도 있습니다. 권장되는 액세서리 및 교체 부품만 사용하십시오. 제품을 변경하지 마십시오.
- 안전하고 높은 성능을 위해 체인 톱을 예리하고 깨끗하게 유지하십시오.
- 윤활 및 액세서리 교체 지침을 준수하십시오.
- 제품에 손상된 부품이 있는지 검사하십시오. 제품을 계속 사용하기 전에 손상된 보호대 또는 부품이 올바르게 작동하는지 확인하십시오. 파손된 부품 또는 잘못된 정렬된 부품, 자유롭게 움직이지 않는 부품이 있는지 검사하십시오. 제품 작동에 영향을 줄 수 있는 다른 조건을 검사하십시오. 제품이 올바르게 설치되었는지 확인하십시오. 보호대 또는 기타 손상된 부품은 사용자 설명서에서 명시된 경우를 제외하고는 승인된 대리점에서 수리하거나 교체해야 합니다.
- 작동하지 않을 때는 제품을 어린이의 손이 닿지 않는 건조하고 높은 곳이나 잠긴 곳에 보관하십시오.
- 제품을 운반하거나 보관하는 동안 가이드 바 덮개나 케이블을 사용하여 제품을 옮기십시오.
- 폐유는 사용하지 마십시오. 폐유는 작업자에게 위험하고, 제품을 손상시킬 수 있으며 환경을 오염시킵니다.

## 조립



**경고:** 제품을 조립하기 전에 다음 '안전' 장을 읽고 이해하십시오.

### 가이드 바 및 톱 체인을 조립하는 방법

1. 앞 손 보호대를 앞 핸들 방향으로 움직여 체인 브레이크를 분리하십시오.
2. 노브를 열린 위치로 펼치십시오. (그림 37)
3. 노브를 시계 반대 방향으로 돌려 바의 덮개를 느슨하게 하십시오. (그림 38)
4. 노브(A)와 스프로킷 덮개를 제거하십시오. 운송 가이드가 설치된 경우 이를 제거하십시오. (그림 39)
5. 가이드 바를 바 볼트 위에 놓으십시오. 가이드 바를 가장 뒤쪽에 놓습니다. 체인을 구동 스프로킷 위에 놓고 가이드 바의 홈에 체결하십시오. 가이드 바의 위 가장자리에서 시작합니다. (그림 40)
6. 절단 고리의 가장자리가 가이드 바의 위 가장리리를 향하게 합니다.
7. 스프로킷 덮개를 조립하고 체인 조절 핀을 가이드 바의 구멍을 향하게 합니다. 체인의 구동 고리가 구동 스프로킷에 정확하게 맞는지 확인하십시오. 또한 체인 톱이 가이드 바의 홈에 제대로 걸렸는지 확인하십시오. (그림 41)

8. 톱을 아래(+)로 내려 체인 톱을 조이십시오. 체인이 가이드 바의 아래로 처지지 않을 때까지 체인을 조이십시오. (그림 42)
9. 체인 톱은 가이드 바 아래로 처지지 않기 때문에 올바르게 조여졌지만 손으로 쉽게 돌릴 수 있습니다.
10. 가이드 바 끝을 잡고 노브를 시계 방향으로 돌려 조이십시오. (그림 43)
  - 새 체인 톱을 조립하고 체인 톱이 작동할 때까지 체인 장력을 자주 검사하십시오.
  - 정기적으로 체인 장력을 검사하십시오. 체인 장력이 올바르게 절단 성능이 향상되고 수명이 오래갑니다.

### 체인 브레이크 재설정 방법

체인 브레이크가 잠겨 있는 동안 우연히 글러치 덮개가 제거된 경우, 글러치 드럼에 글러치 커버를 묶지 않고 조립할 수 있도록 체인 브레이크를 잠금 해제해야 합니다.



**주의:** 체인 브레이크의 스프링에는 장력이 있습니다. 체인 브레이크를 초기화할 때 주의해서 사용하십시오.

**주:** 초기화를 시도하는 도중에는 브레이크 밴드를 잡지 마십시오.

1. 브레이크 회전 링크에 장착되도록 바 공구의 노치를 정렬합니다.(그림 44)
2. 브레이크를 초기화하려면 링크가 멈출 때까지 시계 방향으로 돌립니다. 체인 브레이크가 잠금 해제되면

앞 링크가 아래쪽 회전 위치에 있게 됩니다.(그림 45)(그림 46)

## 작동



**경고:** 제품을 작동하기 전에 다음 '안전' 장을 읽고 이해하십시오.

### 연료 사용 방법



**주의:** 이 제품에는 2 사이클 엔진이 있습니다. 가솔린과 2 사이클 엔진 오일을 혼합하여 사용하십시오. 혼합물에 올바른 양의 오일을 사용하십시오. 가솔린과 오일의 비율이 잘못되면 엔진이 손상될 수 있습니다.

### 연료 혼합 비율

가솔린과 2 사이클 엔진 오일의 혼합 비율은 50:1(2%)입니다.

가솔린	2 사이클 엔진 오일
1 U.S. Gal.	77ml(2.6oz)
1 UK Gal.	95ml(3.2oz)
5l	100ml(3.4oz)

### 연료 혼합물을 만드는 방법

1. 가솔린과 엔진 오일(혼합 비율 50:1)의 정확한 양을 파악하십시오. 연료 혼합물을 30일분 이상 만들지 마십시오. *연료 사용 방법 페이지의 435를 참조하십시오.*
2. 누설 방지 밸브가 있는 깨끗한 연료 용기에 가솔린을 절반 채우십시오.



**주의:** 에탄올 농도가 10% 이상인 가솔린(E10)은 사용하지 마십시오. 그러면 제품이 손상될 수 있습니다.



**주의:** 옥탄가가 90 RON(87 AKI) 미만인 가솔린은 사용하지 마십시오. 그러면 제품이 손상될 수 있습니다.

**주:** 지속적으로 높은 엔진 속도로 제품을 자주 사용하는 경우 옥탄가가 높은 가솔린을 사용하십시오.

3. 연료 용기에 2 사이클 엔진 오일을 가득 채우십시오.



**주의:** 항상 고품질의 공랭식 2 사이클 엔진 오일을 사용하십시오. 다른 오일은 제품을 손상시킬 수 있습니다.

4. 연료 혼합물을 흔들어 내용물을 혼합하십시오.

5. 나머지 가솔린 양을 연료 용기에 추가하십시오.
6. 연료 혼합물을 흔들어 내용물을 혼합하십시오.
7. 연료 혼합물로 제품 연료 탱크를 채우십시오. *연료 사용 방법 페이지의 435를 참조하십시오.*

### 연료 탱크를 채우려면

1. 연료 혼합물이 올바른지, 연료 혼합물이 누설 방지 밸브가 있는 연료 용기에 들어있는지 확인하십시오.
2. 용기에 연료가 묻은 경우 불필요한 연료를 제거하고 용기를 말리십시오.
3. 연료 탱크 캡 근처가 깨끗한지 확인하십시오.
4. 연료 탱크 캡을 제거하십시오.
5. 연료 탱크에 연료 혼합물을 첨가하기 전에 연료 용기를 흔들어주십시오.
6. 연료 탱크 캡을 다시 장착하십시오.

### 체인 롬 윤활 방법

이 제품에는 자동 윤활 시스템이 있습니다. 엔진 롬 오일 탱크와 연료 탱크는 연료가 체인 오일보다 먼저 흘러나오도록 고안되었습니다. 이 안전 기능을 사용하려면 올바른 체인 오일을 사용하고 지침을 준수해야 합니다.

1. 식물성 체인 롬 오일 또는 표준 체인 오일을 사용하십시오.
2. 체인 롬 오일 탱크의 캡 근처가 깨끗한지 확인하십시오.
3. 체인 롬 오일 탱크의 캡을 제거하십시오.
4. 체인 롬 오일 탱크를 권장 체인 롬 오일로 채우십시오.
5. 체인 롬 오일 탱크의 캡을 다시 장착하십시오.

### 시동 및 정지 방법

#### 엔진을 시동하기 전에

- 누락, 손상, 느슨해진 부품 또는 마모된 부품이 있는지 제품을 검사하십시오.
- 너트, 나사 및 볼트를 검사하십시오.
- 공기 여과기를 검사하십시오.
- 올바른 작동을 위해 트리거 로코아웃과 트리거를 검사하십시오.
- 정지 스위치가 올바르게 작동하는지 검사하십시오.
- 제품에 연료 누출이 있는지 검사하십시오.
- 체인 롬이 날카롭고 장력이 있는지 검사하십시오.

#### 저온 엔진으로 시동하는 방법

1. 앞 손 보호대를 앞쪽으로 밀면 체인 브레이크를 작동할 수 있습니다. (그림 47)
2. 프라이머 전구를 6번 누르십시오. (그림 48)

3. 초크 제어장치를 초크 위치로 이동하십시오. (그림 49)
4. 왼손으로 지면에 있는 제품 본체를 잡으십시오. 뒤 핸들에 오른발을 올려서 체인 톱을 안정적으로 고정하십시오. 약간의 저항이 느껴질 때까지 시동기 로프 핸들을 천천히 당기십시오. 그런 다음 시동기 로프 핸들을 5회 강하게 당기십시오. (그림 50)

**주:** 엔진을 사용하는 동안 트리거를 당기지 마십시오.

5. 초크 제어장치를 초크 위치가 아닌 곳으로 이동하십시오.
6. 엔진에 시동이 걸릴 때까지 시동기 로프 핸들을 잡아 당기십시오. 시동 후 60초 동안 기다렸다가 트리거를 당기십시오.



**주의:** 시동기 로프가 멈출 때까지 당기지 마십시오. 시동기 로프가 완전히 확장될 때까지 놓지 마십시오. 시동기 로프를 천천히 놓으십시오. 엔진 손상을 방지하려면 이 지침을 준수하십시오.

7. 앞 손 보호대를 앞 핸들 방향으로 당겨 체인 브레이크를 분리하십시오.
8. 오른손으로 뒤 핸들을 잡고 왼손으로 앞 핸들을 잡으십시오.
9. 제품을 사용합니다.

### 고온 엔진으로 시동하는 방법

1. 앞 손 보호대를 앞쪽으로 밀면 체인 브레이크를 작동할 수 있습니다.
2. 프라이어머 전구를 6번 누르십시오.
3. 초크 제어장치를 초크 위치로 이동하십시오.
4. 초크 제어장치를 초크 위치가 아닌 곳으로 이동하십시오.
5. 왼손으로 지면에 있는 제품 본체를 잡으십시오. 뒤 핸들에 오른발을 올려 체인 톱이 안정되도록 하십시오. 약간의 저항이 느껴질 때까지 시동기 로프 핸들을 천천히 당기십시오. 그런 다음 엔진에 시동이 걸릴 때까지 시동기 로프 핸들을 강하게 당기십시오. (그림 51)

**주:** 엔진을 사용하는 동안 트리거를 당기지 마십시오.



**주의:** 시동기 로프가 멈출 때까지 당기지 마십시오. 시동기 로프가 완전히 확장될 때까지 놓지 마십시오. 시동기 로프를 천천히 놓으십시오. 엔진 손상을 방지하려면 이 지침을 준수하십시오.

6. 앞 손 보호대를 앞 핸들 방향으로 당겨 체인 브레이크를 분리하십시오.
7. 오른손으로 뒤 핸들을 잡고 왼손으로 앞 핸들을 잡으십시오.
8. 제품을 사용합니다.

### 연료가 너무 뜨거울 때 엔진을 시동하는 방법

제품이 시동되지 않는 경우 연료가 너무 뜨거울 수 있습니다.

**주:** 따뜻한 날씨에는 항상 새로운 연료를 사용하고 작동 시간을 줄이십시오.

1. 직사광선이 비치지 않는 서늘한 곳에 제품을 놓으십시오.
2. 최소 20분 동안 제품을 식하십시오.
3. 프라이어머 전구를 다시 10-15초 동안 누르십시오.
4. 저온 엔진을 시동하는 절차를 따르십시오. *저온 엔진으로 시동하는 방법 페이지의 435를* 참조하십시오.

### 엔진 정지 방법

- 정지 스위치를 밀어 엔진을 정지하십시오.

**주:** 정지 스위치는 자동으로 초기 위치로 되돌아갑니다.

### 스파이크 범퍼 사용 방법

스파이크 범퍼는 기계 반동을 방지하고 나무를 절단할 때 고정해 줍니다. 스파이크 범퍼는 엔진 본체와 가이드 바 사이의 피벗입니다.

1. 스파이크 범퍼의 하단 끝을 올바른 힌지 너비에 놓습니다.
2. 오른손으로 뒤 핸들을 들어올리는 동안 왼손으로 앞 핸들을 누르십시오.
3. 올바른 힌지 너비가 될 때까지 톱질하십시오.

**주:** 힌지 두께는 동일해야 합니다.

4. 지름의 절반 이상 톱질한 다음 전도 쐐기를 톱 절단선에 넣으십시오.

### 나무 쓰러뜨리기

1. 나무에서 먼지, 돌, 느슨하게 붙어 있는 나무껍질, 못, 스테이플 및 철사를 제거하십시오.
2. 쓰러지는 방향에 수직으로, 나무 지름의 1/3 되는 곳에 노치를 만드십시오. (그림 52)
3. 아래쪽 수평 노치를 절단하십시오. 이렇게 하면 두 번째 노치가 만들어질 때 체인 톱이 나뭇가지나 가이드 바가 끼지 않습니다.
4. 수평 노치 절단선보다 적어도 50mm(2인치) 높은 곳에 전도 후면 절단선(X)을 만드십시오. 나무가 힌지처럼 작동하기에 충분하도록 전도 후면 절단선을 수평 노치 절단선과 평행하게 유지하십시오. 힌지를 절단하지 마십시오. 힌지 나무는 나무가 비틀어지거나 잘못된 방향으로 쓰러지는 것을 방지합니다. (그림 53) (그림 54)
5. 전도 후면 절단선이 힌지에 가까워지면 나무가 쓰러지기 시작합니다. 나무가 올바른 방향으로 쓰러지고 뒤쪽으로 흔들리지 않고 체인 톱이 끼지 않도록 하십시오. 이를 방지하기 위해 전도 후면 절단이 끝나기 전에 절단을 중지하십시오. 나무 플라스틱 또는 알루미늄 쐐기 톱 절단부를 벌려 나무가 필요한 전도 라인을 따라 쓰러지게 하십시오. (그림 55)
6. 나무가 쓰러지기 시작하면 절단부에서 제품을 꺼내고 엔진을 정지하고 제품을 내려 놓은 다음 계획된 퇴로를 이용하십시오. 위에서 떨어지는 나뭇가지에 조심하고 발을 밟는 곳을 주의하십시오. (그림 56)

## 나무의 가지치기 방법

1. 큰 가지를 이용하여 통나무를 땅에 고정하십시오.
2. 한 번 절단으로 작은 가지들을 제거하십시오.(그림 57)
3. 체인 톱이나 가이드 바가 끼지 않도록 아래에서 위로 장력이 가해진 가지를 잘라내십시오.

## 통나무 버킹 방법



**주의:** 체인 톱이 지면에 닿지 않도록 하십시오.

- 통나무가 전체 길이를 따라 지지되어 있는 경우 통나무 맨 위에서 잘라내십시오(오버 버킹이라고 함).(그림 58)
- 통나무가 한쪽 끝에서 지지되어 있는 경우 통나무 밑면에서 지름 1/3을 잘라내십시오(언더 버킹이라고 함).(그림 59)
- 통나무가 양쪽 끝에서 지지되어 있는 경우 상단에서 지름 1/3을 잘라내십시오. 통나무의 하단 2/3를 언더 버킹하여 첫 번째 절단을 완료하십시오.(그림 60)
- 경사면에서 통나무를 버킹하는 경우 항상 통나무의 오르막 쪽에서 서십시오. 제품의 완벽한 제어를 유지하면서 통나무를 절단한 다음 뒤 핸들과 앞 핸들을 단단히 잡은 채로 절단 끝 부분의 절단 압력을 해제하십시오.(그림 61)

## 유지 보수



**경고:** 제품의 청소, 수리 또는 유지 보수 작업을 수행하기 전에 안전 장을 읽고 이해하십시오.

### 유지 보수 일정

유지 보수 일정을 준수해야 합니다. 간격은 제품의 일일 사용량을 기준으로 계산됩니다. 매일 제품을 사용하지 않는 경우 간격이 다릅니다. 이 설명서에 나와 있는 유지 보수 작업만 수행하십시오. 이 설명서에 없는 기타 유지 보수 작업의 경우 승인된 서비스 센터에 문의하십시오.

### 일일 유지 보수

- 외부 표면을 청소하십시오.
- 로크아웃과 트리거가 올바르게 작동하는지 확인하십시오.
- 체인 브레이크를 청소하고 체인 브레이크가 올바르게 작동하는지 확인하십시오.

(그림 62)

- 체인 캐처가 손상되었는지 검사하십시오. 체인 캐처가 손상된 경우에는 교체하십시오.

(그림 63)

- 골고루 마모되도록 가이드 바를 매일 돌리십시오.
- 가이드 바의 윤활 구멍이 막히지 않았는지 확인합니다.

(그림 64)

- 가이드 바 홈을 청소하십시오.

(그림 65)

- 가이드 바 및 체인 톱에 충분한 오일이 남아 있는지 확인하십시오.
- 체인 톱을 검사하십시오.

- 리벳과 고리에 금이 보이는지 확인.
- 리벳과 고리가 비정상적으로 마모되었는지 확인.
- 장력이 올바른지 확인.

필요한 경우 체인 톱을 교체하십시오.

- 톱 체인을 연마합니다. *톱 체인 연마 방법 페이지의 438*를 참조하십시오.

- 구동 스프로킷이 과다 마모되었는지 검사하고 필요하면 교체하십시오.

(그림 66)

- 시동기 장치의 공기 흡입구를 청소하십시오.
- 너트와 나사가 모두 단단히 조여졌는지 확인하십시오.
- 정지 스위치가 제대로 작동하는지 확인하십시오.
- 엔진, 탱크 및 연료 라인에서 연료 누출을 검사하십시오.
- 엔진이 공전 중일 때 체인 톱이 회전하지 않는지 확인하십시오.

### 주간 유지 보수

- 냉각 시스템이 올바르게 작동하는지 확인하십시오.
- 시동기, 시동기 코드 및 리턴 스프링이 올바르게 작동하는지 확인하십시오.
- 진동 완화 구성요소가 손상되지 않았는지 확인하십시오.

(그림 67)

- 가이드 바의 가장자리에 뾰족뾰족한 부분이 있으면 줄로 갈아 손질하십시오.
- 소음기의 불꽃 억제 스크린을 청소 또는 교체하십시오.

(그림 68)

- 기화기 및 기화기와 인접한 영역의 외부 표면을 청소하십시오.
- 공기 여과기를 청소하십시오. 공기 여과기가 손상되었거나 너무 더러워 깨끗이 청소할 수 없는 경우 새 공기 여과기를 설치하십시오. 자세한 내용은 *공기 여과기 청소 페이지의 438*을(를) 참조하십시오.

### 월간 유지 보수

- 체인 브레이크의 브레이크 밴드가 마모되었는지 검사하십시오. 브레이크 밴드 두께가 가장 많이 마모된 지점에서 0.6mm(0.024 인치) 미만일 때 교체하십시오.

(그림 69)

- 클러치 중심, 클러치, 클러치 스프링이 마모되었는지 검사하십시오.

- 점화 플러그를 청소하십시오. 전극 갭이 올바른지 확인하십시오.

(그림 70)

- 기화기 및 기화기와 인접한 영역의 외부 표면을 청소하십시오.
- 연료 여과기와 연료 호스를 검사하십시오. 필요하면 교체하십시오.
- 연료 탱크를 비우십시오.
- 오일 탱크를 비우십시오.
- 케이בל과 연결부위를 모두 검사하십시오.

## 연간 유지 보수

- 점화 플러그를 검사하십시오.
- 기화기 및 기화기와 인접한 영역의 외부 표면을 청소하십시오.
- 냉각 시스템을 청소하십시오.
- 불꽃 억제 스크린을 검사하십시오.
- 연료 여과기를 검사하십시오.
- 연료 호스가 손상되었는지 검사하십시오.
- 케이בל과 연결부위를 모두 검사하십시오.

## 간헐적인 유지 보수

- 승인된 서비스 센터에서 50시간 작동 후에 소음기를 수리하거나 교체하십시오.
- 다음과 같은 경우 점화 플러그의 유지 보수를 수행하십시오.
  - 엔진의 출력 수준이 낮은 경우
  - 엔진을 시동하기 어려운 경우
  - 엔진이 공전 속도에서 올바르게 작동하지 않는 경우
- 연료를 공급할 때마다 체인 톱 운행을 점검하십시오. **톱 체인 운할 점검 방법 페이지의 439**를 참조하십시오.

## 공전 속도 조절 방법

공전 속도를 조절하기 전에 공기 여과기가 깨끗하고 공기 여과기 덮개가 부착되어 있는지 확인하십시오.

1. 체인 톱이 회전하기 시작할 때까지 "T" 표시가 있는 공전 조절 나사를 시계 방향으로 돌리십시오.
2. 체인 톱이 정지할 때까지 "T" 표시가 있는 공전 조절 나사를 시계 반대 방향으로 돌리십시오.
3. 공전 속도는 체인 톱이 회전하기 시작할 때의 속도보다 낮아야 합니다. 모든 위치에서 엔진이 무리 없이 작동하면 공전 속도가 정상입니다.

## 불꽃 억제 스크린 청소 방법

1. 와이어 브러시를 사용하여 불꽃 억제 스크린을 청소하십시오.

## 점화 플러그 유지 보수 방법



**주의:** 권장하는 점화 플러그를 사용하십시오. 교체 부품이 제조업체가 제공한 부품과 동일하지 확인하십시오. 잘못된 점화 플러그를 사용하면 제품을 손상시킬 수 있습니다.

1. 제품을 시동하거나 작동하기 어려운 경우, 점화 플러그에 불필요한 물질이 있는지 검사하십시오. 점화 플러그 전극에서 불필요한 물질의 위험을 줄이는 방법:
  - a) 공전 속도가 올바르게 조절되었는지 확인하십시오.
  - b) 연료 혼합물이 올바른지 확인하십시오.
  - c) 공기 여과기가 깨끗한지 확인하십시오.
2. 점화 플러그가 더러우면 청소하십시오. 전극 갭이 올바른지 확인하십시오.(그림 71)
3. 필요하면 점화 플러그를 교체하십시오.

## 공기 여과기 청소

1. 공기 여과기 덮개를 제거하고 공기 여과기를 제거하십시오.
2. 따뜻한 비눗물로 공기 여과기를 청소하십시오. 공기 여과기를 설치하기 전에 공기 여과기가 건조한지 확인하십시오.
3. 공기 여과기가 너무 더러워 깨끗이 청소하기 힘든 경우 교체하십시오. 손상된 공기 여과기는 항상 교체하십시오.

## 톱 체인 연마 방법

### 절단기

체인 톱의 절단 부위는 절단기라 부르며 절단 이(A)와 깊이 게이지(B)로 구성됩니다. 절단기의 절단 깊이는 두 곳(깊이 게이지 설정(C))의 높이 차이에 의해 결정됩니다.

(그림 72)

절단 이를 연마할 때 기억해야 할 네 가지 요소가 있습니다.

- 연마각

(그림 73)

- 절단각

(그림 74)

- 평줄 위치

(그림 75)

- 원형 줄 직경

(그림 76)

### 절단 이 연마 방법

원형 줄과 파일게이지를 사용하여 절단 이를 연마합니다. **체인 톱 연마 및 체인 톱 조합 페이지의 441**에서 제품에 설치된 체인 톱에 대한 연마 및 게이지 권장 치수를 참조하십시오.

1. 톱 체인의 장력이 올바른지 확인하십시오. 체인이 느슨하면 연으로 움직여서 올바르게 연마하기가 더욱 어려워집니다.
2. 먼저 한쪽 면의 모든 이를 연마하십시오. 안쪽 면에서 절단 이를 연마하고 돌아올 때 당기는 힘의 압력을 줄이십시오.
3. 제품을 뒤집어서 다른 쪽 이를 연마하십시오.

- 모든 이물 같은 길이로 연마하십시오. 절단 이의 길이가 4mm(5/32")로 줄어들면 체인 톱이 완전히 마모된 것이며 교체해야 합니다.(그림 77)

## 깊이 게이지 설정 조정 방법

깊이 게이지 설정을 조정하기 전에 절단 이물 가십시오. **절단 이 연마 방법 페이지의 438**를 참조하십시오. 절단 이(A)를 같은 깊이 게이지 설정(C)이 줄어듭니다. 절단 성능을 최적으로 유지하려면, 깊이 게이지(B)를 권장 깊이 게이지 설정에 이르도록 연마해야 합니다. 특정 체인에 대한 올바른 깊이 게이지 설정은 **체인 톱 연마 및 체인 톱 조합 페이지의 441**의 내용을 참조하십시오. (그림 78) (그림 79)

**주:** 이 권고 사항은 절단 이의 길이가 과도하게 줄어들지 않았다고 간주하는 경우입니다.

평줄과 깊이 게이지 도구를 사용하여 깊이 게이지를 조정하십시오.

- 깊이 게이지 도구를 체인 톱 위에 두십시오. 깊이 게이지 도구의 사용법에 대한 자세한 내용은 깊이 게이지 도구 패키지에 담겨 있습니다.
- 평줄을 사용해 깊이 게이지 도구를 통과해 돌출해 있는 깊이 게이지 끝부분을 갈아냅니다. 줄을 깊이 게이지 도구를 따라 당길 때 저항을 느끼지 않으면 깊이 게이지 설정이 올바로 된 것입니다

## 톱 체인 장력 조절

**주:** 새로운 체인 톱의 장력을 길들이는 동안에는 자주 점검하십시오.

- 스프로켓 덮개를 고정하는 가이드 바 너트를 푸십시오. 콤비네이션 렌치를 사용하십시오. (그림 80)
- 가이드 바 너트를 손으로 가능한 단단하게 조이십시오.

- 가이드 바의 상단을 올리고 체인 장력 조절 나사를 조여 체인 톱을 확장하십시오. 콤비네이션 렌치를 사용하십시오. 체인이 가이드 바의 아래로 처지지 않을 때까지 체인 톱을 조이십시오. (그림 81)
- 콤비네이션 렌치를 사용하여 가이드 바 너트를 조이고 동시에 가이드 바의 끝을 들어 올립니다. (그림 82)
- 체인 톱을 손으로 자유롭게 돌려 당길 수 있는지 그리고 체인 톱이 처지지 않는지 확인하십시오.(그림 83)

## 절단 장비 운할 방법

### 톱 체인 운할 점검 방법

연료를 공급할 때마다 엔진톱 운할을 점검하십시오.

- 제품을 시동하고 3/4 속도로 작동시키십시오. 가이드 바의 끝을 밝은 색채 표면에서 약 20cm(8인치) 떼어서 겨냥합니다.
- 1분간 작동하면 오일 라인이 밝은 표면에 나타납니다.
- 1분 후에 오일 라인이 보이지 않으면 가이드 바에서 오일 채널을 청소하십시오. 가이드 바 가장자리의 홈을 청소하십시오. 가이드 바 끝 스프로켓이 자유롭게 회전하고 운할 구멍이 막히지 않았는지 확인하십시오. 팁 스프로켓을 청소하고 운할하십시오.
- 제품을 시동하고 3/4 속도로 작동시키십시오. 바의 끝을 밝은 색채 표면에서 약 20cm(8인치) 떼어서 겨냥합니다.
- 1분간 작동하면 오일 라인이 밝은 표면에 나타납니다.
- 1분 후에 오일 라인이 보이지 않으면 승인된 대리점에 문의하십시오.

## 운송

- 운송하기 전에 연료와 체인 오일 탱크를 비우십시오. 사용할 오일은 적절히 폐기하십시오.
- 운송 중에 가이드 바 덮개를 절단용 부품 위에 올려 놓으십시오. 이렇게 하면 사람이 실수로 날카로운 체인 톱을 만지는 것을 방지할 수 있습니다. 체인 톱이

작동하지 않는 상태에서도 사용자 또는 다른 사람이 날카로운 체인 톱을 만져 부상을 입을 수 있습니다.

- 접화 플러그에서 스파크 플러그 캡을 제거하고 체인 브레이크를 체결한 후에 운송하십시오.
- 운송 도중 제품이 움직이지 않는지 확인하십시오.

## 보관

- 작동하지 않을 때는 항상 제품을 안전하게 보관하십시오. 전기 장비, 전동 모어, 계전기/스위치, 보일러 등에서 나오는 불꽃 또는 나염(裸炎)이 제품에서 새어 나온 연료 또는 가스와 접촉할 수 있습니다.
- 항상 연료는 승인된 용기에 보관하십시오.
- 제품을 장시간 보관하는 경우 연료 및 체인 오일 탱크를 비우십시오. 사용한 오일은 적절히 폐기하십시오.

- 보관 중에는 가이드 바 덮개를 가이드 바 위에 놓으십시오. 이렇게 하면 사람이 실수로 날카로운 체인 톱을 만지는 것을 방지할 수 있습니다. 체인 톱이 작동하지 않는 상태에서도 사용자 또는 다른 사람이 날카로운 체인 톱을 만져 심각한 부상을 입을 수 있습니다.
- 접화 플러그에서 스파크 플러그 캡을 제거하고 체인 브레이크를 체결한 후에 보관하십시오.

## 기술 정보

	단위	120 Mark II(P02138HV)
<b>엔진 사양</b>		
실린더 배기량	cm <sup>3</sup>	38
점화 플러그		Champion RCJ7Y
전극 갭	mm(인치)	0.5(0.02)
연료 탱크 용량	cm <sup>3</sup>	300
공전 속도	최저 <sup>1</sup>	2800-3200
전원 출력, 9000에서 최저 <sup>1</sup>	킬로와트	1.4
배출 내구성 기간	h	50
<b>소음 및 진동 데이터</b>		
등가 진동 수준, hveq 앞 핸들 <sup>146</sup>	m/s <sup>2</sup>	4.5
등가 진동 수준, hveq 뒤 핸들 <sup>147</sup>	m/s <sup>2</sup>	6.0
소음 출력 수준, 보장(L <sub>WA</sub> ) <sup>148</sup>	dB(A)	116
소음 출력 수준, 측정 <sup>149</sup>	dB(A)	110
작업자 귀의 음압 수준 <sup>150</sup>	dB(A)	95
<b>제품 치수</b>		
무게(절단 장비 제외)	킬로그램	4.9
오일 탱크 용량	cm <sup>3</sup>	200
<b>연료 및 급유 시스템</b>		
오일 펌프 용량, 9000에서 최소 <sup>1</sup>	ml/min	7
오일 탱크 용량	cm <sup>3</sup>	200
오일 펌프 타입		자동
<b>체인 립 및 가이드 바</b>		
표준 가이드 바 길이	cm(인치)	35-40(14-16)
권장 바 길이	cm(인치)	35-45(14-18)
사용 가능 절단 길이	cm(인치)	34-39(13.5 - 15.5)
최대 체인 립 속도	m/s	22.3

<sup>146</sup> 등가 진동 수준은 ISO 22867에 의거하여 여러 작업 조건 하에서의 진동 수준에 대하여 시간 가중 총 에너지로 계산됩니다. 등가 진동 수준에 대해 보고된 데이터에는 일반적인 통계 분산(표준 편차)인 1m/s<sup>2</sup>입니다.

<sup>147</sup> 등가 진동 수준은 ISO 22867에 의거하여 여러 작업 조건 하에서의 진동 수준에 대하여 시간 가중 총 에너지로 계산됩니다. 등가 진동 수준에 대해 보고된 데이터에는 일반적인 통계 분산(표준 편차)인 1m/s<sup>2</sup>입니다.

<sup>148</sup> 소음 출력(L<sub>WA</sub>)으로 측정된 소음 환경 배출.

<sup>149</sup> 소음 출력(L<sub>WA</sub>)으로 측정된 소음 환경 배출.

<sup>150</sup> 등가 음압 수준은 여러 작업 조건 하에서의 다른 음압 수준에 대하여 시간 가중 총 에너지로 계산됩니다. 등가 음압 수준에 대한 일반적인 통계 분산은 표준 편차 1dB(A)입니다.



	단위	120 Mark II(P02138HV)
체인 톱 피치	mm(인치)	8.3 (0.325) 9.52(3/8)
구동 고리 두께(게이지)	mm(인치)	1.3(0.05)
구동 스프로킷 유형		스퍼
구동 스프로킷 이 개수		6 (구동 스프로킷 3/8) 7 (구동 스프로킷 0.325)

## 액세서리

### 가이드 바 및 톱 체인 조합

아래의 절단용 부품은 제품에 사용이 승인되었습니다.

가이드 바				톱 체인	
길이, cm(인치)	피치, mm(인치)	게이지, mm(인치)	최대 코 반경	유형	구동 고리 개수
33(13)	8,25(0,325)	1,3(0,050)	10T	Husqvarna H30	56
38(15)	8,25(0,325)				64
35(14)	9,52(3/8)		7T	Husqvarna H37	52
40(16)	9,52(3/8)				56
45(18)	9,52(3/8)				62

### 체인 톱 연마 및 체인 톱 조합

톱 체인					
체인 유형	원형 줄 크기	측면 플레이트 각도	상단 플레이트 각도	줄 가이드 각도	깊이 게이지 설정
H30	3/16인치/4,8mm	60°	30°	10°	0,025인치/ 0,65mm
H37	5/32인치/4,0mm	60°	30°	0°	0,025인치/ 0,65mm

## EC 준수 선언문의 내용

Husqvarna AB(SE 561 82 Huskvarna, SWEDEN)는 당사의 전적인 책임 아래 다음 제품이

<b>설명</b>	<b>가솔린 체인톱</b>
브랜드	Husqvarna
플랫폼 / 유형 / 모델	플랫폼 P02138HV, 대표 모델 120 Mark II
배치	2018년도 일련 번호부터 그 이후

다음의 EU 지침 및 규정을 모두 준수하고

<b>지침/규정</b>	<b>설명</b>
2006/42/EC	"장비류 관련"
2014/30/EU	"자기 호환성 관련"
2000/14/EC	"외부 소음 관련"

다음과 같은 조화된 표준 및/또는 기술 사양이 적용되었음을 선언합니다. EN ISO 12100, EN ISO 11681-1, CISPR 12, ISO 14982

지침 2000/14/EC, 부속서 V에 따라 선언된 사운드 값은 이 설명서의 기술 정보 섹션과 서명된 EC 준수 선언문에 명시되어 있습니다.

TÜV Rheinland LGA Products GmbH(기계류 통보처 (0197에 따라 통보) 주소: Tillystraße 2 - 90431 Nürnberg, Germany)는 2006/42/EC 12조, 3b항에 의거 EC 형식 검사를 실시하였습니다.

서명된 준수 선언문에서 제공된 대로 형식 검사 인증서는 부속서 IX에 따라 제품에 명시된 모든 제조 위치 및 원산지 국가에 적용됩니다.

이 체인톱은 EC 형식 검사를 받은 견본과 일치합니다.





[www.husqvarna.com](http://www.husqvarna.com)

Original instructions  
Оригинални инструкции  
Originalna uputstva  
Původní pokyny  
Originale instruktioner  
Originalanweisungen  
Αρχικές οδηγίες  
Instrucciones originales  
Originaaljuhend  
Alkuperäiset ohjeet  
Instructions d'origine  
Originalne upute  
Eredefői útmutatás  
Istruzioni originali  
Originalios instrukcijos

Lietošanas pamācība  
Originale instructies  
Originale instruksjoner  
Oryginalne instrukcje  
Instruções originais  
Instrucțiuni inițiale  
Оригинальные инструкции  
Původně pokyny  
Izvirna navodila  
Originalna uputstva  
Bruksanvisning i original  
Orijinal talimatlar  
Оригинальні інструкції  
取扱説明書原本  
원본 설명서

594741138-A



2018-04-11