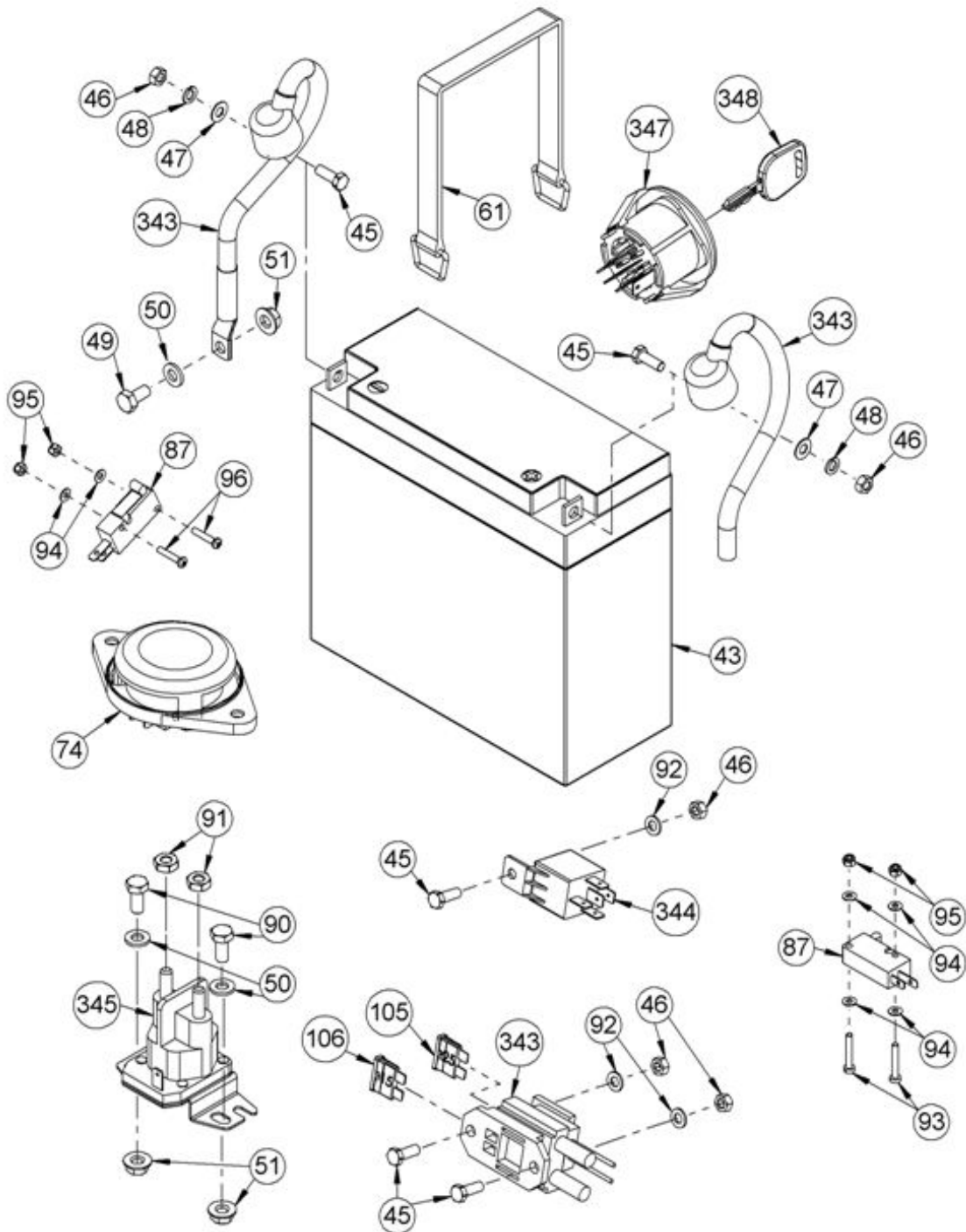


AS 800 / AS 799 Elektrische Anlage

ab Serien Nr.: 016010090005

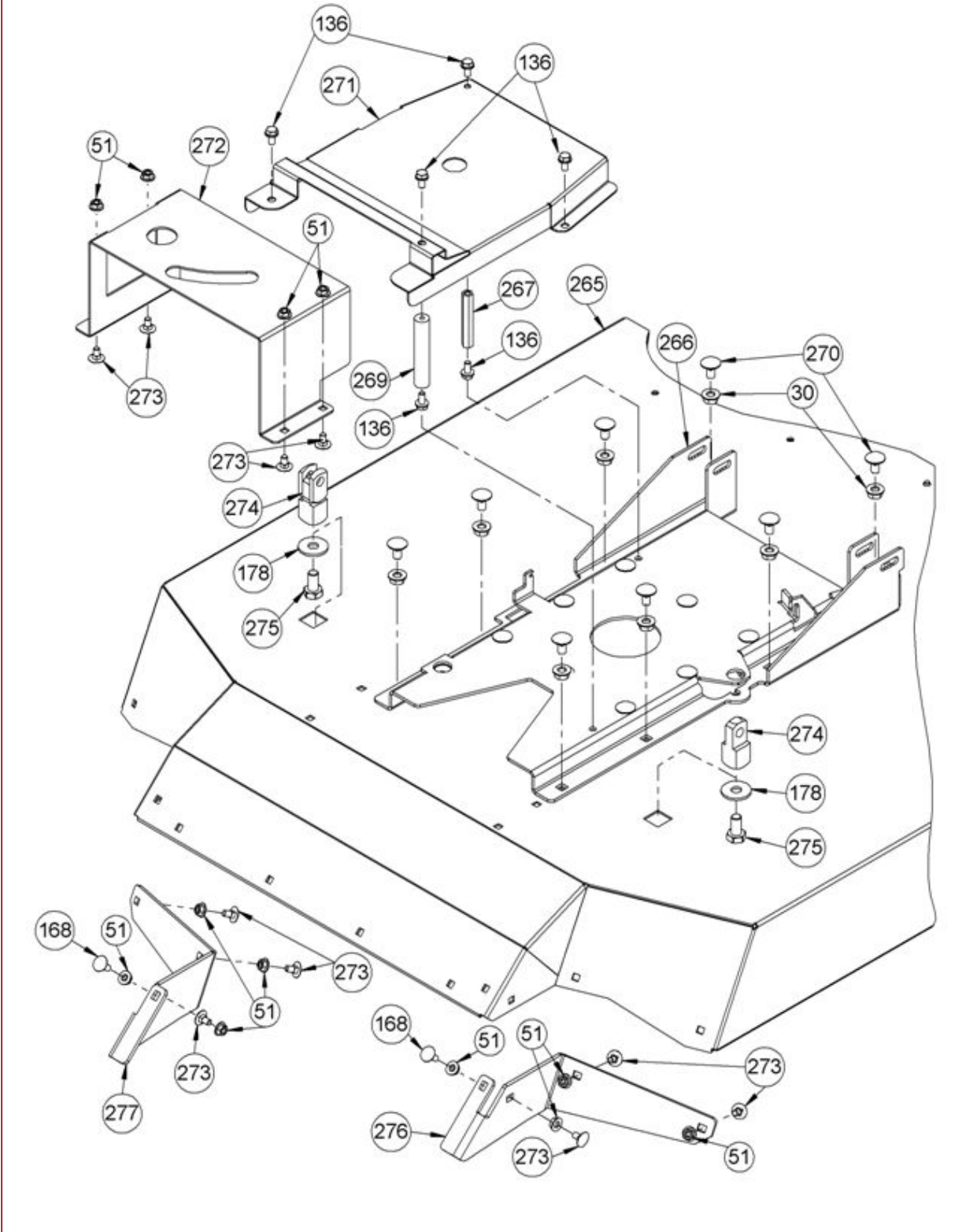
ab Serien Nr.: 026613080001



AS 799 Rider – ET documentation – Electrical system

Pos	Art-Nr.	E-Nr.	Menge	Beschreibung	Modell	Info
43	G06850039	E08542	1	Battery		
45	G07838078	E08505	5	Hexagon screw (10 Stk.)		
46	G07839007	E01950	5	Hex nut (10 Stk.)		
47	G00010110	E08529	2	Disc (5 Stk.)		
48	G07811006	E01908	2	Spring washer (20 Stk.)		
49	G07838015	E03959	1	Hexagon screw (10 Stk.)		
50	G07809006	E01940	3	Disc (10 Stk.)		
51	G00007041	E05975	3	Selflocking nut with serrated bearing (3		
61	G00008117	E08530	1	Rubber band		
74	G06650532	E08160	1	Seat contact switch		
87	G06927006	E08536	2	Switch		
90	G07838064	E07628	2	Hexagon screw (2 Stk.)		
91	G00007058	E08539	2	Inch nut (5 Stk.)		
92	G07809003	E01181	3	Disc (20 Stk.)		
93	G07802039	E04866	2	Cylinder screw (5 Stk.)		
94	G07809002	E01109	6	Disc (10 Stk.)		
95	G07846016	E08540	2	Self-locking hex nut (5 Stk.)		
96	G07878021	E08541	2	Raised cross-head screw (3 Stk.)		
105	G06650539	E08173	1	Fuse 25 A (alternator)		
106	G06650354	E07564	1	Fuse 15 A (Main fuse)		
343	G06850048	E11017	1	Cable loom		
344	G06650817	E10659	1	Relay		
345	G06927007	E10660	1	Relay large		
347	G06650951	E11014	1	Ignition switch without key		
348	G06650952	E11015	1	Ignition key		

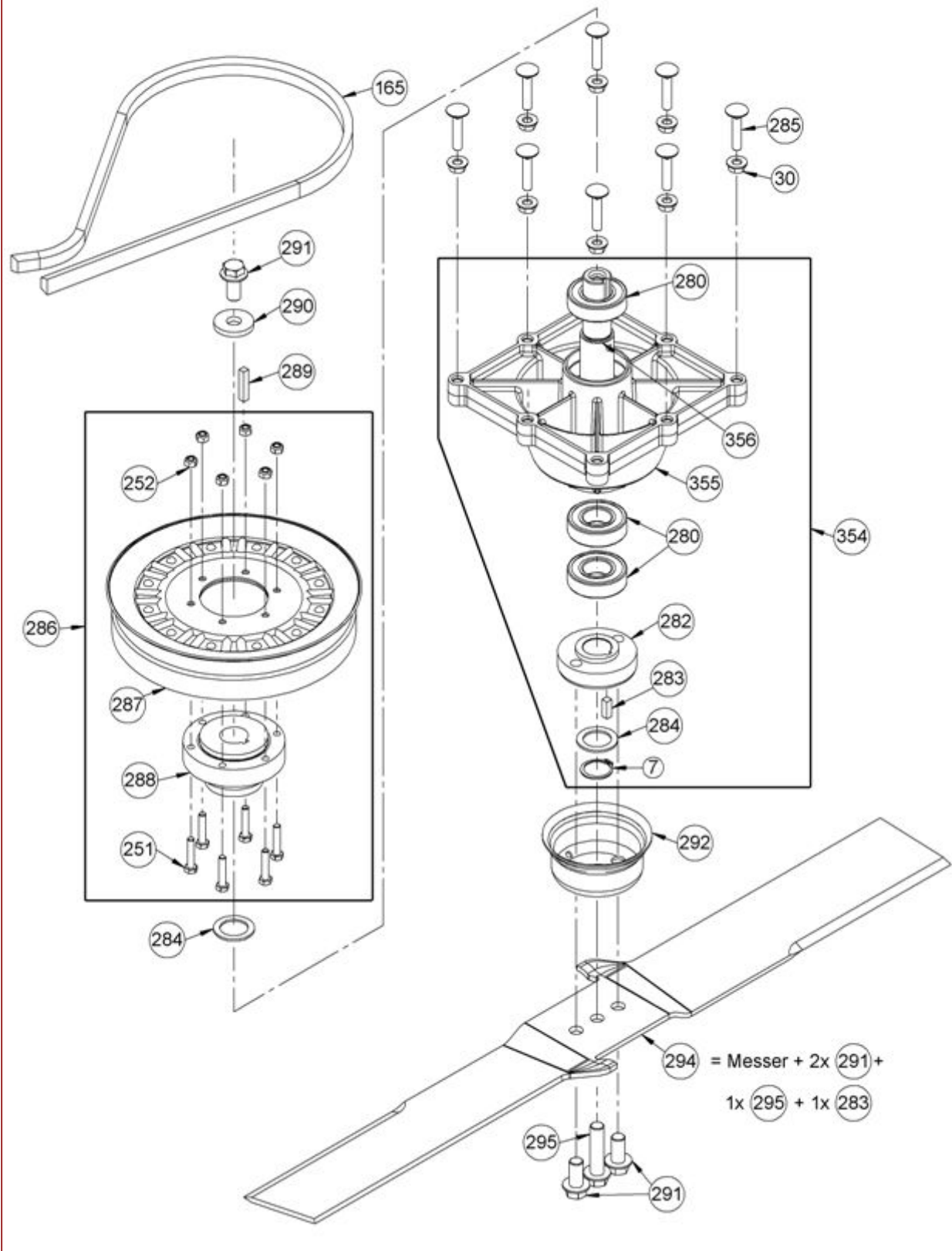
AS 800 / AS 799 Messerhaube



AS 799 Rider – ET documentation – Blade cover

Pos	Art-Nr.	E-Nr.	Menge	Beschreibung	Modell	Info
30	G00007042	E06037	8	Selflocking nut with serrated bearing (3		
51	G00007041	E05975	12	Selflocking nut with serrated bearing (3		
136	G00009016	E04631	6	Hexagon screw with serration (5 Stk.)		
168	G07827003	E04262	2	Mushroom head square neck bolt (5 Stk.)		
178	G07880001	E01980	2	Disc (10 Stk.)		
265	G06820005	E08383	1	Blade hood		
266	G06820008	E08406	1	Hood carrier		
267	G04526018	E06907	1	Spacer pin		
269	G06525312	E06653	1	Belt support		
270	G07827018	E08387	8	Mushroom head square neck bolt (10 Stk.)		
271	G06826001	E08398	1	Belt cover		
272	G06826016	E08468	1	Access protection		
273	G07827008	E04991	12	Mushroom head square neck bolt (3 Stk.)		
274	G06822005	E08399	2	Fork head counter piece		
275	G07838025	E03930	2	Hexagon screw (5 Stk.)		
276	G06820016	E08470	1	Hood corner right		
277	G06820015	E08469	1	Hood corner left		

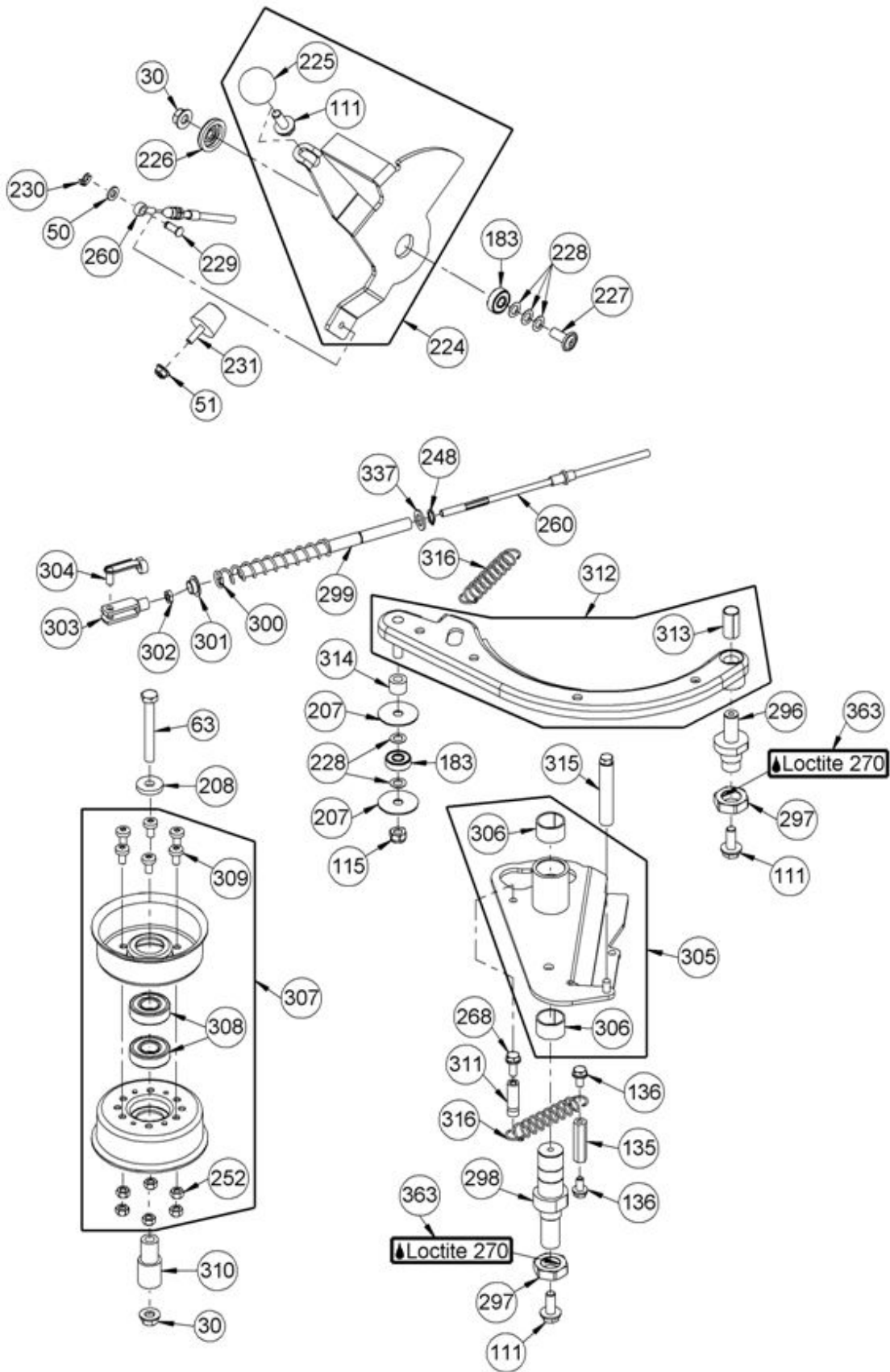
AS 799 Messer mit Antrieb



AS 799 Rider – ET documentation – Blades with drive

Pos	Art-Nr.	E-Nr.	Menge	Beschreibung	Modell	Info
7	G07822001	E02116	1	Circlip for shaft (5 Stk.)		
30	G00007042	E06037	8	Selflocking nut with serrated bearing (3		
165	G07857035	E08304	1	High performance V-belt		
251	G07838027	E03933	6	Hexagon screw (10 Stk.)		
252	G07906002	E06667	6	Self-locking hex nut (10 Stk.)		
280	G07830015	E08351	3	Deep groove ball bearing		
282	G06723007	E07707	1	Cutter disc		
283	G07865021	E08293	1	Feather key		
284	G07847015	E03928	1	Supporting disc		
285	G07827017	E06612	8	Mushroom head square neck bolt (3 Stk.)		
286	G06825017	E08396	1	Belt pulley total		
287	G06825004	E08397	1	Belt pulley complete		
288	G06725004	E07531	1	Belt pulley hub		
289	G07865011	E06649	1	Feather key		
290	G07861004	E07213	1	Disc		
291	G00009097	E07718	2	Locking screw		
292	G06723006	E07262	1	Winding protection cover		
294	G06880002	E08343	1	Blade AS 800 with bolts		
295	G00009111	E08291	1	Locking screw		
354	G06880009	E13092	1	Blade bearing with shaft+bearing		
355	G06823006	E13091	1	Blade baring		
356	G06723015	E13096	1	Blade shaft		

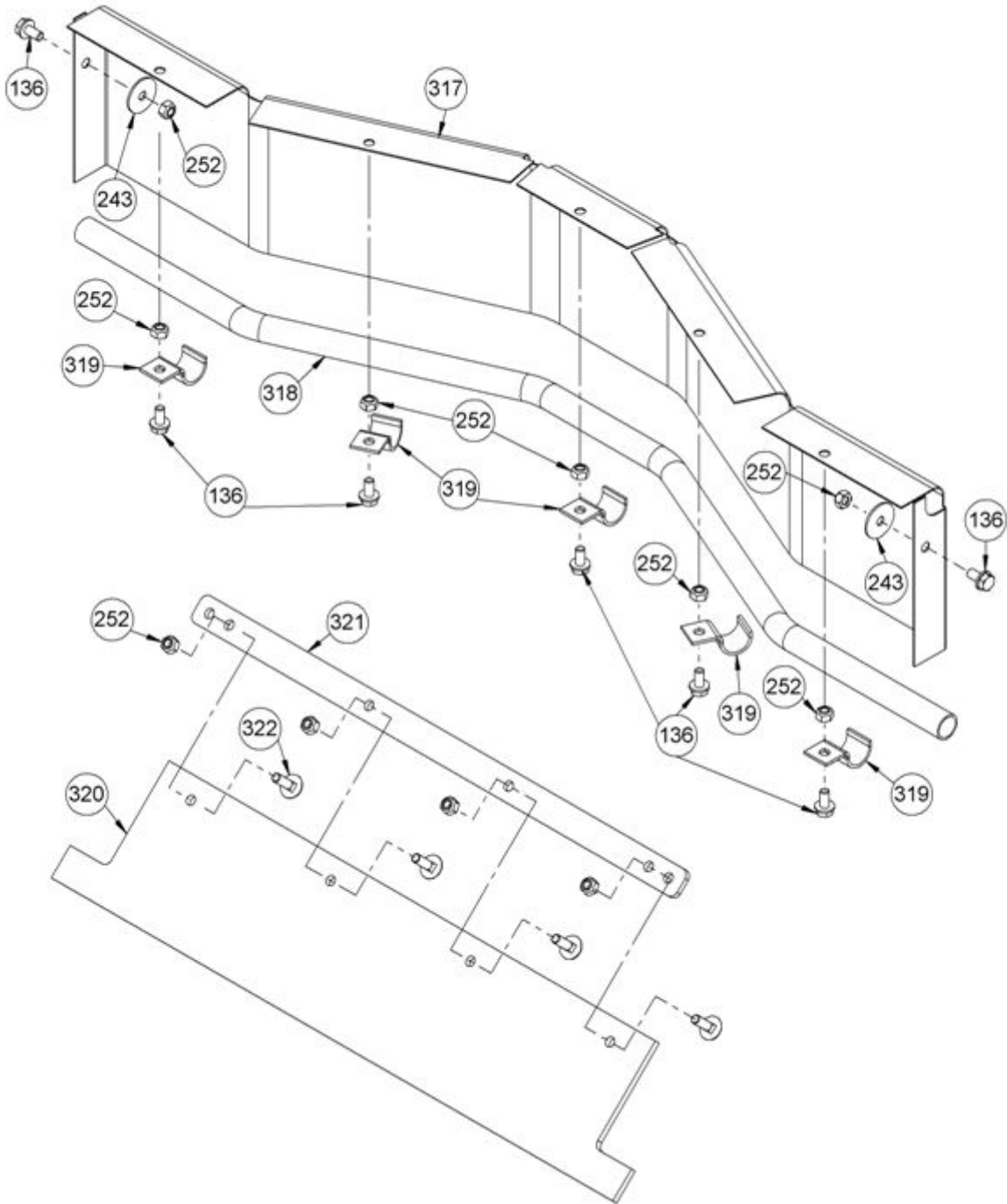
AS 800 / AS 799 Riemenstrammer, Bremshebel und Messerhebel



AS 800 FreeRider from serial No. 016014040001 – ET documentation – Belt tensioner, brake lever and blade lever

Pos	Art-Nr.	E-Nr.	Menge	Beschreibung	Modell	Info
30	G00007042	E06037	1	Selflocking nut with serrated bearing (3		
50	G07809006	E01940	1	Disc (10 Stk.)		
51	G00007041	E05975	1	Selflocking nut with serrated bearing (3		
63	G07837041	E04944	1	Hexagon screw (3 Stk.)		
111	G00009108	E08177	3	Hexagon screw with serration (3 Stk.)		
115	G07846001	E01912	1	Self-locking hex nut (10 Stk.)		
135	G00007052	E07876	1	Connection nut (2 Stk.)		
136	G00009016	E04631	2	Hexagon screw with serration (5 Stk.)		
183	G07830031	E07211	2	Deep groove ball bearing		
207	G00010109	E08394	2	Mudguard washer (5 Stk.)		
208	G07861006	E07940	1	Disc		
224	G06822019	E08411	1	Blade engagement lever total		
225	G07917001	E07245	1	Spherical button		
226	G06822031	E08449	1	Bearing washer		
227	G00009114	E08450	1	Raised flat-head screw		
228	G07847036	E05984	5	Shim (10 Stk.)		
229	G00012027	E08451	1	Bolt for anti-folding mechanism		
230	G00027016	E08452	1	Anti-folding mechanism (5 Stk.)		
231	G00008061	E04597	1	Stop buffer		
248	G07822002	E02650	1	Circlip for shaft (5 Stk.)		
252	G07906002	E06667	6	Self-locking hex nut (10 Stk.)		
260	G00020122	E08373	1	Blade drive cable		
268	G00009094	E07247	1	Locking screw (2 Stk.)		
296	G06834001	E08384	1	Brake lever bearing		
297	G07818008	E07875	1	Hex nut		
298	G06825018	E08385	1	Tension lever bearing		
299	G06820010	E08388	1	Spring tube		
300	G00001083	E08389	1	Pressure spring		
301	G00028037	E08390	1	Friction bearing with collar		
302	G07818004	E03917	1	Hex nut (10 Stk.)		
303	G07925001	E08526	1	Fork head		
304	G00039003	E08527	1	Folding spring bolt		
305	G06880001	E08524	1	Belt tensioner + DU bushes		
306	G00028001	E02919	2	DU bush (2 Stk.)		
307	G06825013	E08392	1	Tension pulley with ball bearing		
308	G07830027	E06752	2	Deep groove ball bearing		
309	G00009083	E06753	6	Rounded head screw with inside Torx (2 S		
310	G06825014	E08393	1	Sleeve		
311	G04620002	E06936	1	Mounting bolt		
312	G06734001	E07699	1	Brake lever with lining and DU bush		
313	G00028022	E06364	1	DU bush		
314	G00024029	E07722	1	Sleeve		
315	G06825016	E08395	1	Belt guide		
316	G00002056	E07867	1	Draw spring		
337	G07816006	E04214	1	Disc (20 Stk.)		
363	G00041008	E04721	1	LOCTITE 270 (50 ml)		

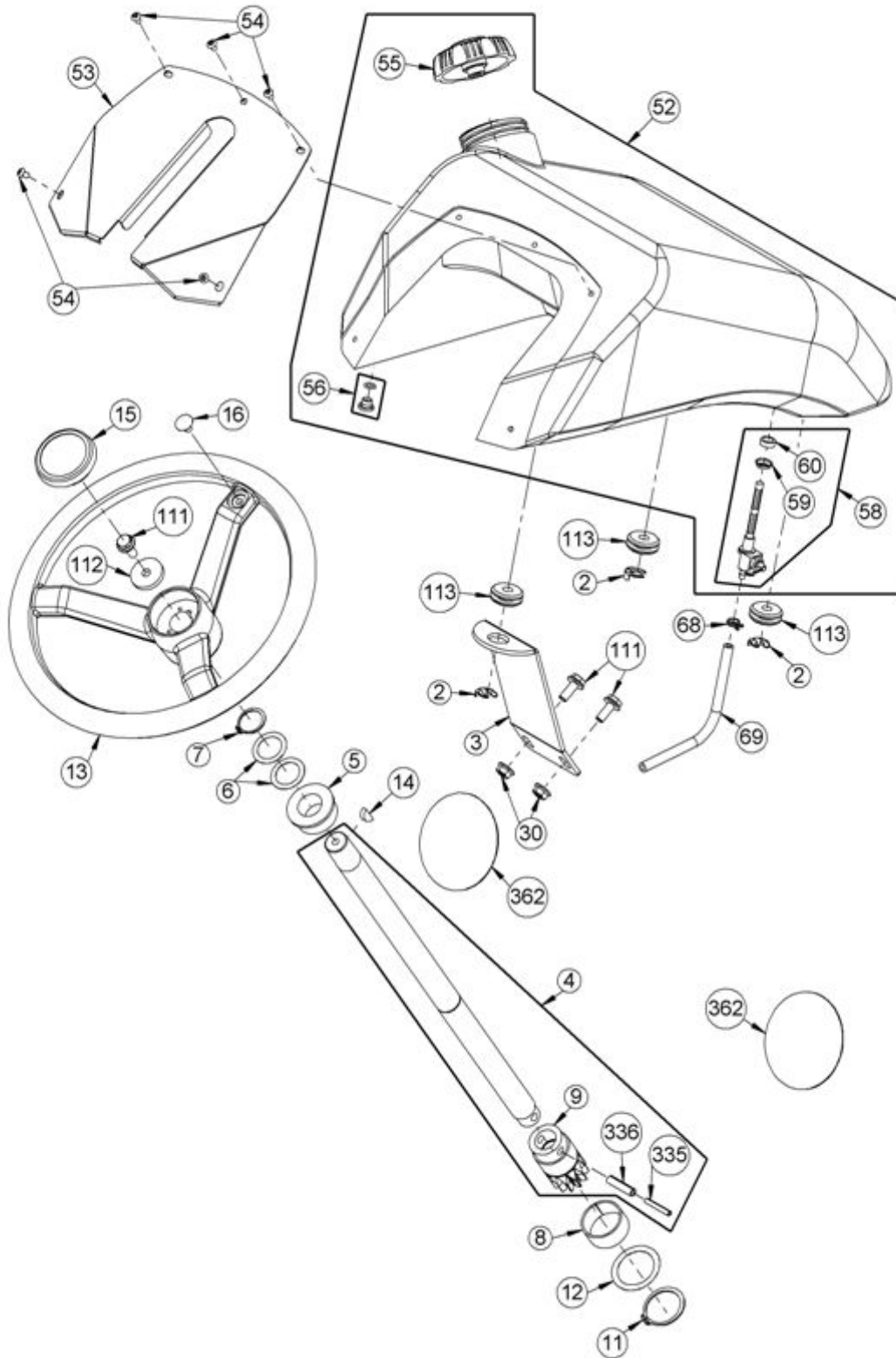
AS 800 / AS 799 Schutztücher



AS 800 FreeRider from serial No. 016014040001 – ET documentation – Protector cloth

Pos	Art-Nr.	E-Nr.	Menge	Beschreibung	Modell	Info
136	G00009016	E04631	7	Hexagon screw with serration (5 Stk.)		
243	G00010084	E03710	2	Disc (10 Stk.)		
252	G07906002	E06667	11	Self-locking hex nut (10 Stk.)		
317	G06826002	E08401	1	Protection skirt		
318	G06826003	E08402	1	Protection skirt tube		
319	G00034023	E07177	5	Clip		
320	G00008115	E08404	1	Ejector rubber		
321	G06820018	E08471	1	Rubber bar		
322	G07827010	E05367	4	Mushroom head square neck bolt (5 Stk.)		

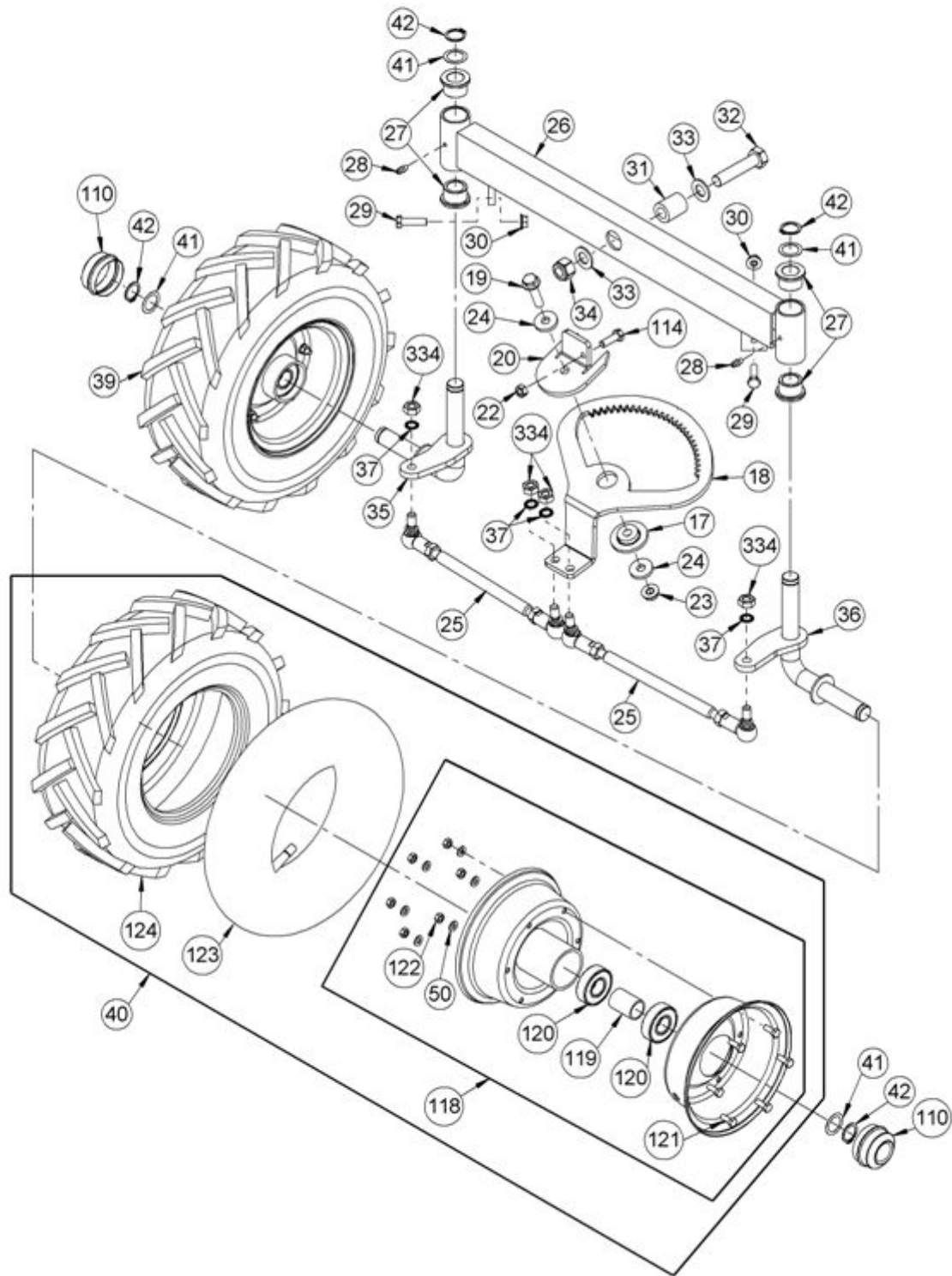
AS 800 / AS 799 Tank mit Lenkung



AS 800 FreeRider from serial No. 016014040001 – ET documentation – Tank with steering

Pos	Art-Nr.	E-Nr.	Menge	Beschreibung	Modell	Info
2	G00027017	E08457	3	Anti-folding mechanism (5 Stk.)		
3	G06850002	E08477	1	Tank holder		
4	G06850003	E08478	1	Steering shaft with pinion		
5	G06850004	E08479	1	Plastic sleeve		
6	G07847040	E06304	2	Shim (3 Stk.)		
7	G07822001	E02116	1	Circlip for shaft (5 Stk.)		
8	G00028040	E08480	1	DU bush		
9	G06850005	E08481	1	Pinion		
11	G07822015	E08483	1	Circlip for shaft (2 Stk.)		
12	G07847049	E08484	1	Shim (2 Stk.)		
13	G06850006	E08485	1	Steering wheel without steering wheel ha		
14	G07866006	E07641	1	Curved washer (2 Stk.)		
15	G06650428	E07977	1	Steering wheel cap		
16	G00029014	E08486	1	Stopper (2 Stk.)		
30	G00007042	E06037	2	Selflocking nut with serrated bearing (3		
52	G06680123	E10735	1	Fuel tank total		
53	G06850007	E08487	1	Tank plate		
54	G07922001	E07666	5	Raised countersunk head screw with hexag		
55	G06650135	E07316	1	Tank cap		
56	G06850008	E08488	1	Tank plug with O-ring		
58	G06650364	E07574	1	Fuel valve right total		
59	G00016007	E08490	1	Half shell (4 Stk.)		
60	G00008080	E07600	1	Seal (4 Stk.)		
68	G06650404	E07614	1	Hose clip (2 Stk.)		
69	G06850009	E08491	1	Fuel hose (tank to filter)		
111	G00009108	E08177	2	Hexagon screw with serration (3 Stk.)		
112	G00010133	E12385	1	Disc		
113	G00008145	E07287	3	Rubber bearing		
335	G07853001	E01965	1	Spring pin (20 Stk.)		
336	G07853040	E08567	1	Spring pin		
362	G06826013	E08855	2	Anti-slip point		

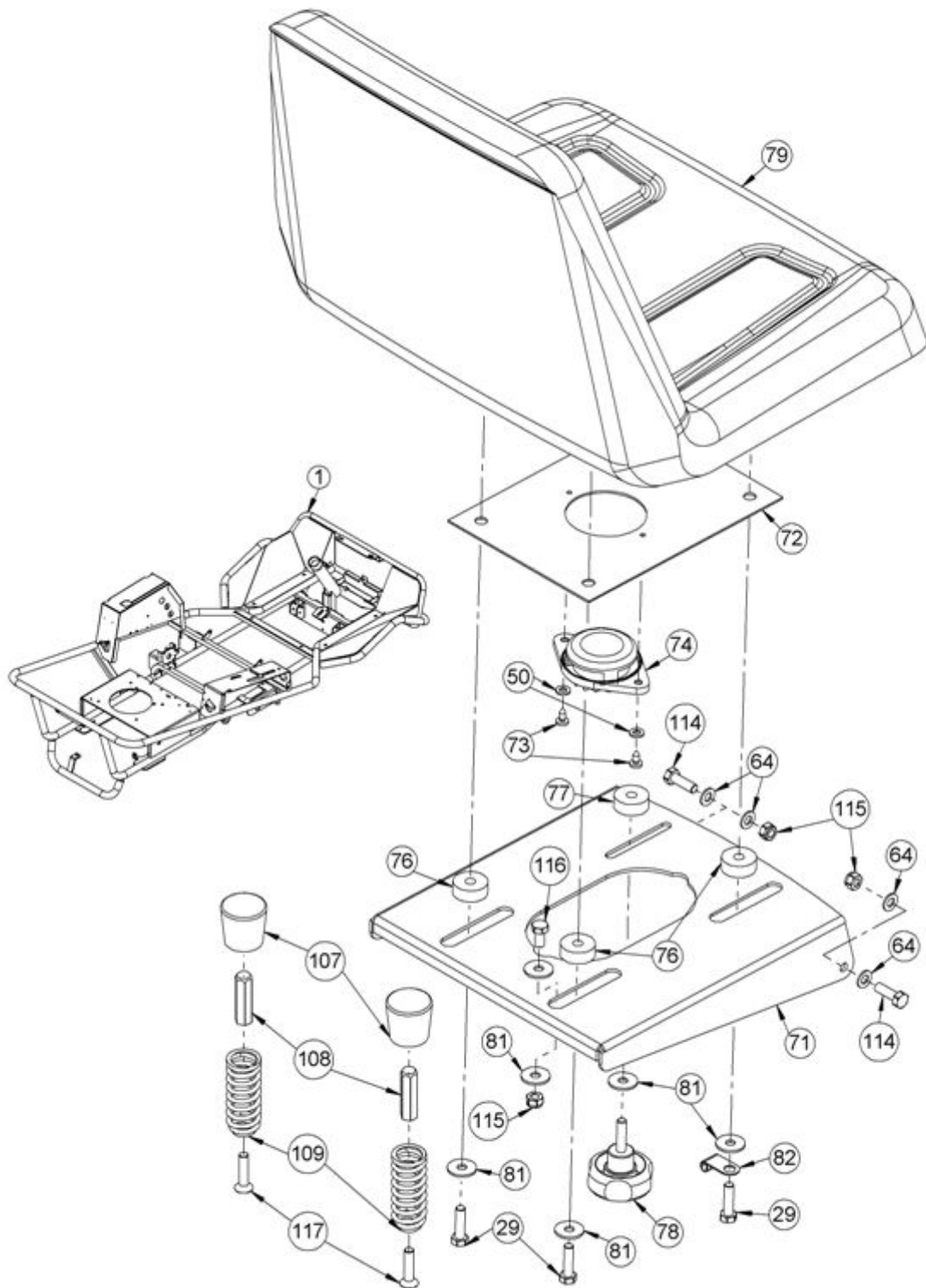
AS 800 / AS 799 Vorderachse



AS 800 FreeRider from serial No. 016014040001 – ET documentation – Front axle

Pos	Art-Nr.	E-Nr.	Menge	Beschreibung	Modell	Info
17	G06850010	E08492	1	Bearing washer		
18	G06850011	E08493	1	Toothed plate		
19	G00009116	E08494	1	Locking screw		
20	G06850012	E08495	1	Unscrew protection		
22	G07839003	E01906	1	Hex nut (10 Stk.)		
23	G00007051	E07668	1	Locknut (2 Stk.)		
24	G07861007	E08496	2	Disc		
25	G06850013	E08497	2	Steering rod with 2 ball joints		
26	G06850014	E08498	1	Front axle		
27	G06650152	E07333	4	Bush		
28	G07903002	E05868	2	Lubricating nipple (3 Stk.)		
29	G07838031	E03951	2	Hexagon screw (5 Stk.)		
30	G00007042	E06037	2	Selflocking nut with serrated bearing (3		
31	G06850015	E08499	1	Axle sleeve		
32	G07837072	E08500	1	Hexagon screw		
33	G07809010	E03592	2	Disc (10 Stk.)		
34	G07918005	E07672	1	Self-locking hex nut		
35	G06850017	E08501	1	Axle leg left		
36	G06850016	E08502	1	Axle leg right		
37	G00042017	E08503	4	Lock washer (5 Stk.)		
39	G06650443	E07997	1	Left hand front wheel 13X5.00-6		
40	G06650442	E07996	1	Right hand front wheel 13X5.00-6		
41	G07847028	E08504	4	Shim (5 Stk.)		
42	G07822012	E07552	4	Circlip for shaft (2 Stk.)		
50	G07809006	E01940	12	Disc (10 Stk.)		
110	G06650153	E07334	2	Cover		
114	G07838029	E03939	1	Hexagon screw (5 Stk.)		
118	G06650438	E07992	2	Rim for front wheel		
119	G06650441	E07995	2	Distance sleeve		
120	G07830019	E04737	4	Deep groove ball bearing		
121	G07838013	E02949	12	Hexagon screw (10 Stk.)		
122	G07839014	E03915	12	Hex nut (20 Stk.)		
123	G06650439	E07993	2	Tube for front wheel		
124	G06650440	E07994	2	Cover for front wheel		
334	G07846005	E01968	4	Self-locking hex nut (10 Stk.)		

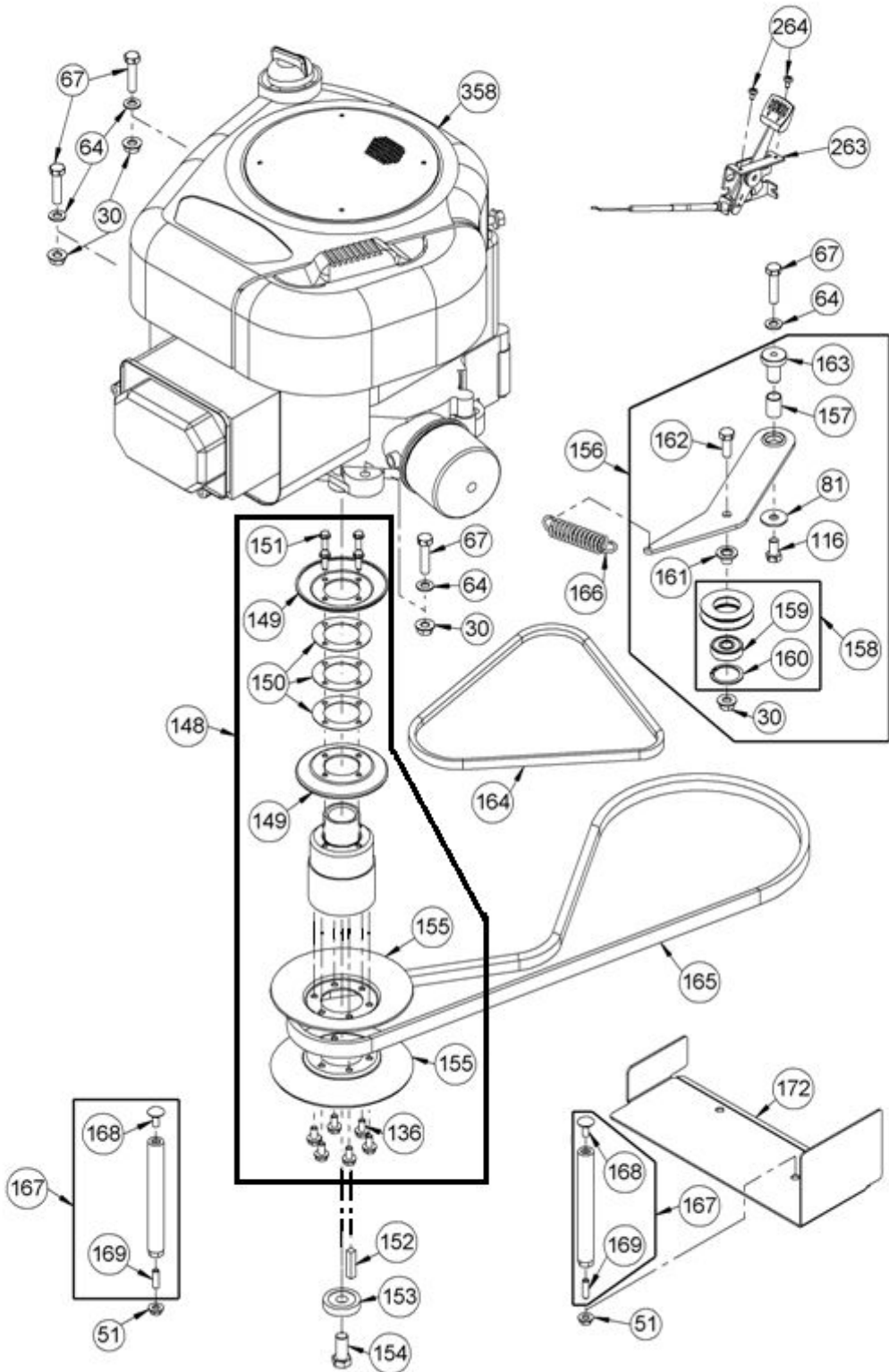
AS 800 / AS 799 Sitz mit Rahmen



AS 800 FreeRider from serial No. 016014040001 – ET documentation – Seat with frame

Pos	Art-Nr.	E-Nr.	Menge	Beschreibung	Modell	Info
1	G06850001	E08433	1	Frame		
29	G07838031	E03951	3	Hexagon screw (5 Stk.)		
50	G07809006	E01940	2	Disc (10 Stk.)		
64	G07809004	E01905	4	Disc (20 Stk.)		
71	G06850023	E08513	1	Seat pan		
72	G06850024	E08514	1	Switch plate		
73	G07875019	E08515	2	Raised cross-head sheet metal screw (5 S		
74	G06650532	E08160	1	Seat contact switch		
76	G06850025	E08516	3	Seat pin with collar		
77	G06850026	E08517	1	Seat pin without collar		
78	G00009115	E08518	1	Star knob screw		
79	G06850027	E08519	1	Seat		
81	G07880006	E03957	4	Disc (20 Stk.)		
82	G06650103	E07284	1	Cable clamp		
107	G06650134	E07315	2	Stopper		
108	G06650300	E07481	2	Extension		
109	G06650178	E07359	2	Seat spring		
114	G07838029	E03939	2	Hexagon screw (5 Stk.)		
115	G07846001	E01912	3	Self-locking hex nut (10 Stk.)		
116	G07838026	E03932	1	Hexagon screw (10 Stk.)		
117	G00009100	E07874	2	Countersunk screw with inside Torx (3 St		

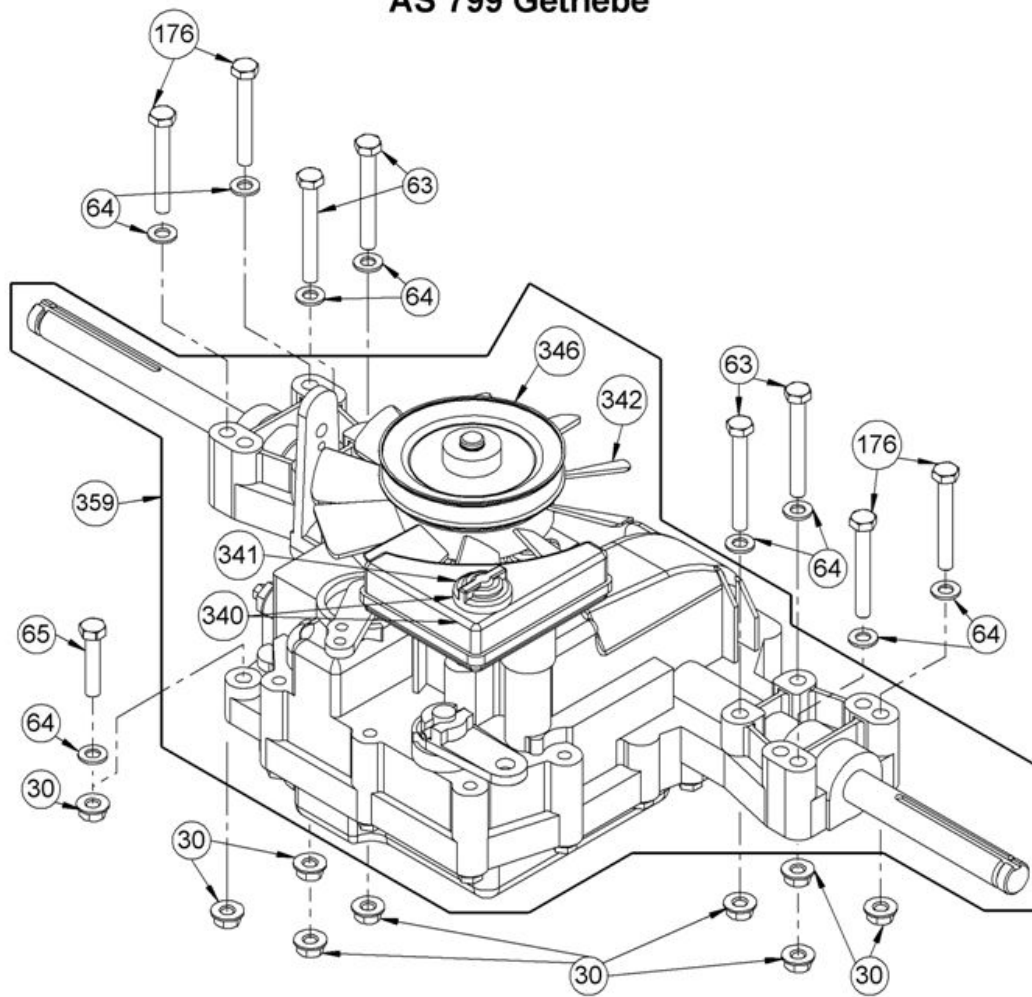
AS 799 Motor mit Riementrieb



AS 799 Rider – ET documentation – Engine with belt drive

Pos	Art-Nr.	E-Nr.	Menge	Beschreibung	Modell	Info
30	G00007042	E06037	3	Selflocking nut with serrated bearing (3		
51	G00007041	E05975	2	Selflocking nut with serrated bearing (3		
64	G07809004	E01905	4	Disc (20 Stk.)		
67	G07838044	E05609	4	Hexagon screw (5 Stk.)		
81	G07880006	E03957	1	Disc (20 Stk.)		
116	G07838026	E03932	1	Hexagon screw (10 Stk.)		
136	G00009016	E04631	6	Hexagon screw with serration (5 Stk.)		
148	G06825009	E08418	1	Engine hub with belt pulley		
149	G04425004	E04286	2	Belt pulley half		
150	G04425005	E04287	3	Compensating spacer (4 Stk.)		
151	G07890005	E04986	4	Flanged self-tapping screw (3 Stk.)		
152	G07865010	E06713	1	Feather key		
153	G00010106	E07879	1	Drive pulley		
154	G00009066	E06716	1	Inch screw (2 Stk.)		
155	G06825024	E08432	2	Pulley half Ø 135		
156	G06825003	E08511	1	Tensioning roller carrier total		
157	G00028027	E06473	1	DU bush		
158	G06525063	E07208	1	Tension pulley with ball bearing		
159	G07830025	E06524	1	Deep groove ball bearing		
160	G07823016	E07209	1	Circlip for drilled hole (2 Stk.)		
161	G06525057	E07176	1	Tensioning roller sleeve		
162	G07838047	E05320	1	Hexagon screw (10 Stk.)		
163	G06525054	E07158	1	Tension lever bearing		
164	G07857032	E08216	1	High performance V-belt		
165	G07857035	E08304	1	High performance V-belt		
166	G00002011	E04343	1	Draw spring		
167	G06825025	E08453	2	Belt support		
168	G07827003	E04262	2	Mushroom head square neck bolt (5 Stk.)		
169	G07834009	E08512	2	Threaded pin (5 Stk.)		
172	G06826015	E08461	1	Engine lid		
263	G06822032	E08419	1	Accelerator lever with throttle cable		
264	G07890028	E06594	2	Self-tapping screw (5 Stk.)		
358	G00501037	E13088	1	Engine B&S POWER BUILT 3		

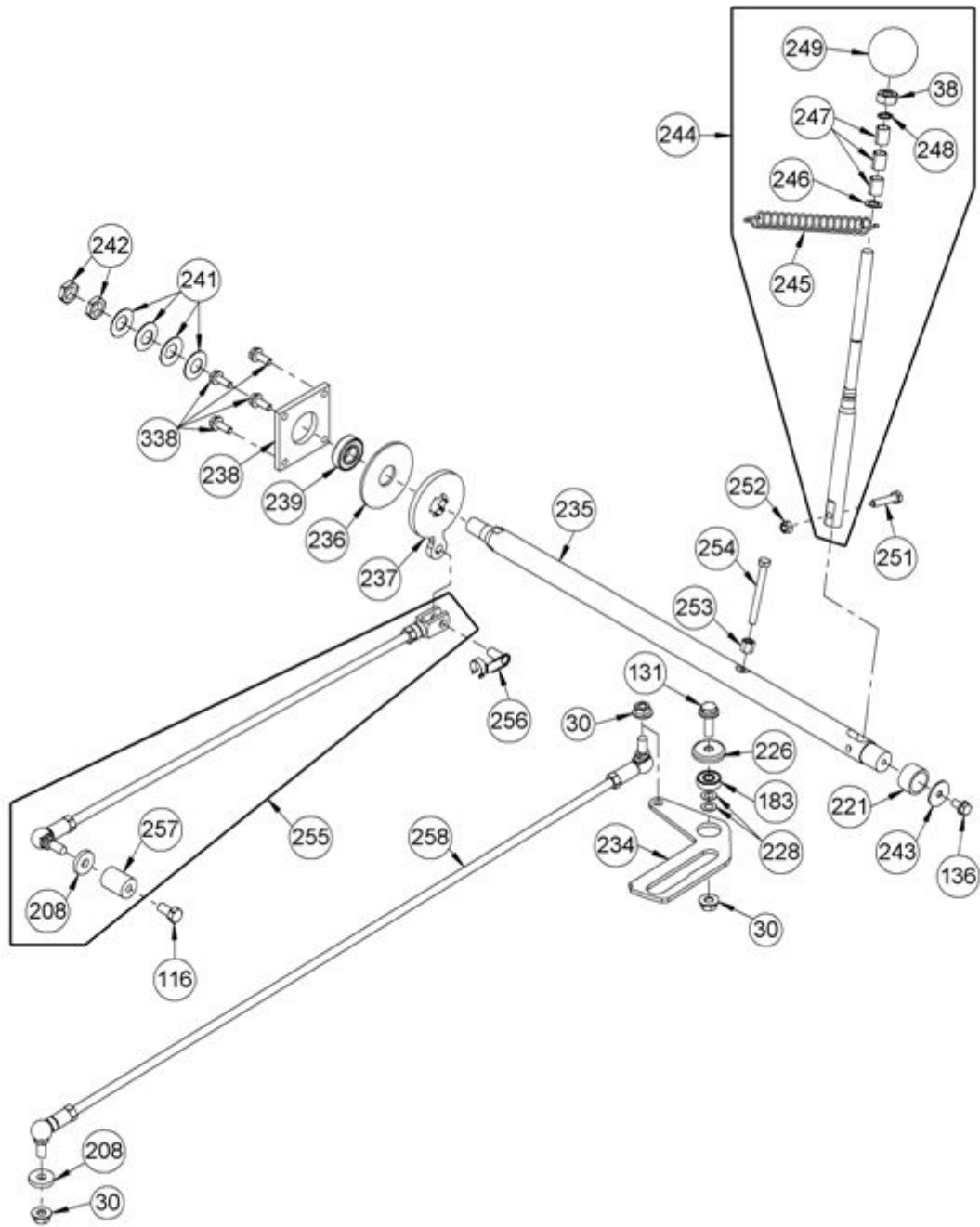
AS 799 Getriebe



AS 799 Rider – ET documentation – Transmission

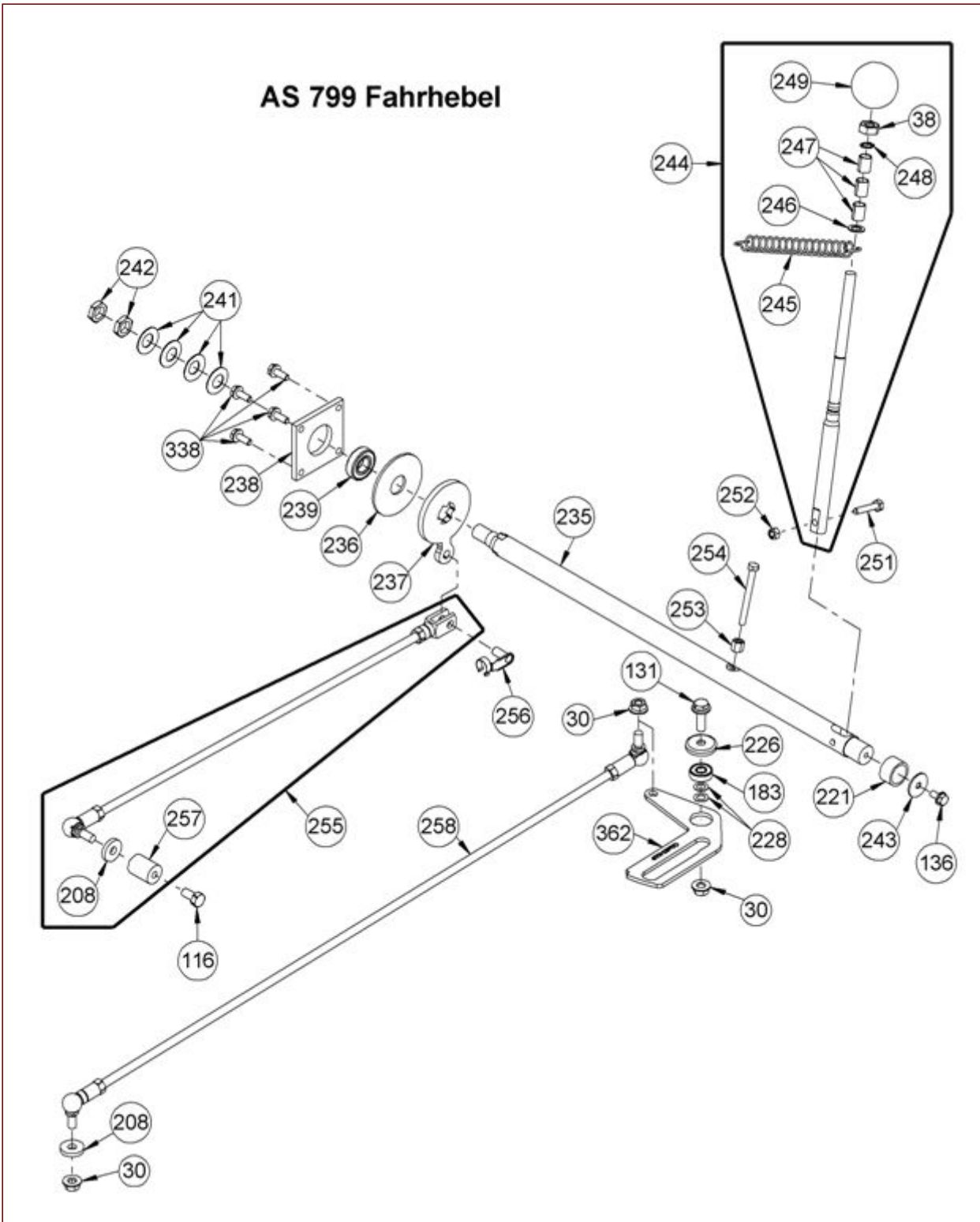
Pos	Art-Nr.	E-Nr.	Menge	Beschreibung	Modell	Info
30	G00007042	E06037	9	Selflocking nut with serrated bearing (3		
63	G07837041	E04944	4	Hexagon screw (3 Stk.)		
64	G07809004	E01905	9	Disc (20 Stk.)		
65	G07837016	E03901	1	Hexagon screw (5 Stk.)		
176	G07837005	E03142	4	Hexagon screw (4 Stk.)		
340	G06880005	E10925	1	Surge tank with cover		
341	G06850046	E10926	1	Cover for surge tank		
342	G06850049	E10977	1	Impeller		
346	G06880006	E11414	1	Belt pulley + safety ring		
359	G06880010	E13122	1	Hydrostatic transmission+Belt pulley		

AS 799 Fahrhebel



AS 799 Rider – ET documentation – Drive lever to serial No. 02661410007

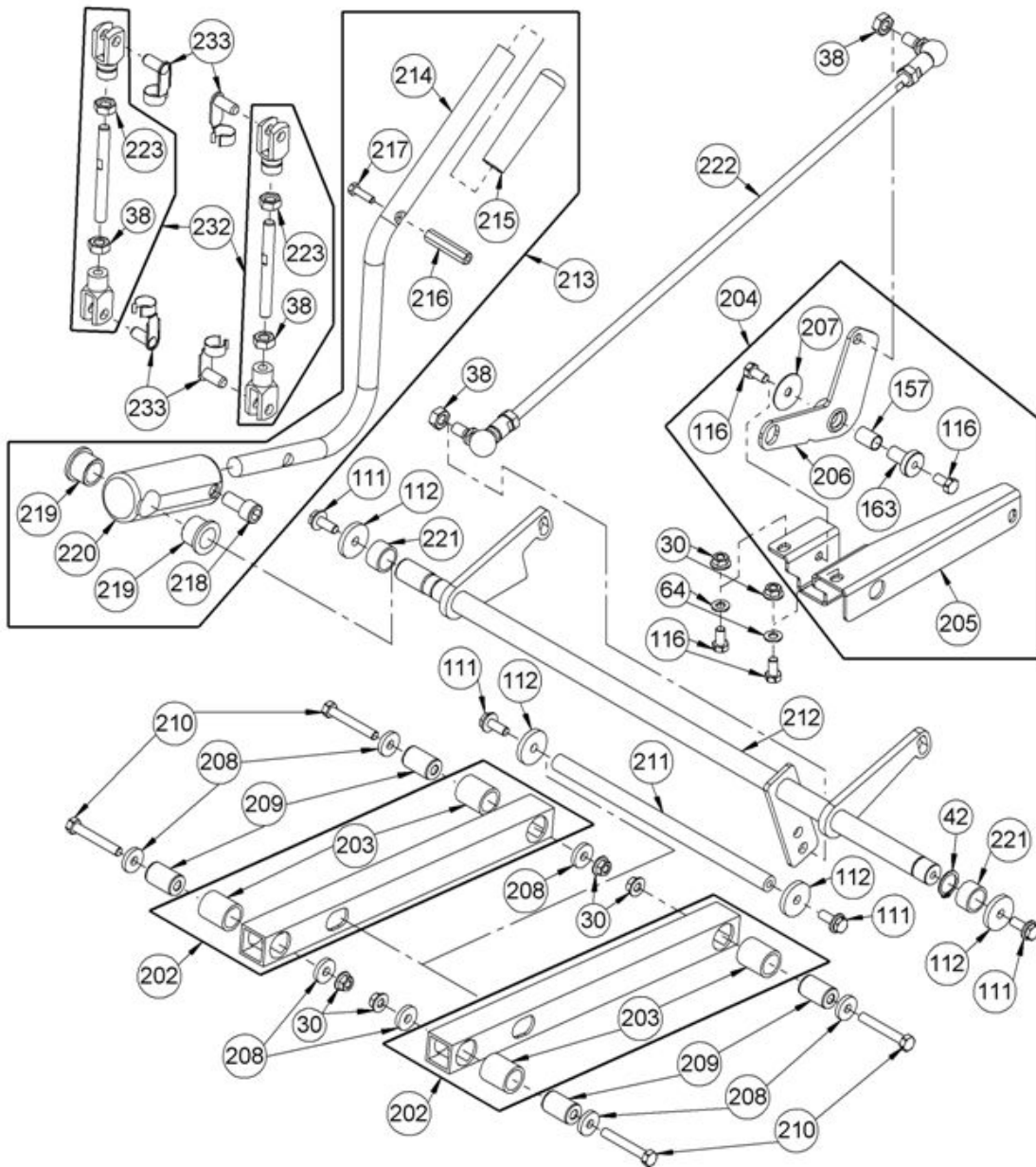
Pos	Art-Nr.	E-Nr.	Menge	Beschreibung	Modell	Info
30	G00007042	E06037	3	Selflocking nut with serrated bearing (3		
38	G07839008	E01953	1	Hex nut (10 Stk.)		
116	G07838026	E03932	1	Hexagon screw (10 Stk.)		
131	G00009085	E06761	1	Hexagon screw		
136	G00009016	E04631	1	Hexagon screw with serration (5 Stk.)		
183	G07830031	E07211	1	Deep groove ball bearing		
208	G07861006	E07940	2	Disc		
221	G00028039	E08448	1	Friction bearing		
226	G06822031	E08449	1	Bearing washer		
228	G07847036	E05984	2	Shim (10 Stk.)		
234	G06834005	E08454	1	Brake bracket		
235	G06822022	E08414	1	Lever shaft		
236	G00019050	E03076	1	Slide washer (2 Stk.)		
237	G06822021	E08413	1	Drive lever left		
238	G06822033	E08455	1	Bearing flange		
239	G07830003	E02104	1	Deep groove ball bearing		
241	G07856006	E03319	4	Disc spring (10 Stk.)		
242	G00007044	E06130	2	Hex nut		
243	G00010084	E03710	1	Disc (10 Stk.)		
244	G06822034	E08412	1	Drive lever total		
245	G00002040	E06475	1	Draw spring		
246	G07847011	E03134	1	Shim (10 Stk.)		
247	G00028008	E06538	3	DU bush		
248	G07822002	E02650	1	Circlip for shaft (5 Stk.)		
249	G07917003	E08456	1	Spherical button		
251	G07838027	E03933	1	Hexagon screw (10 Stk.)		
252	G07906002	E06667	1	Self-locking hex nut (10 Stk.)		
253	G00007025	E03706	1	Special nut (10 Stk.)		
254	G07837025	E04227	1	Hexagon screw		
255	G06822014	E08409	1	Drive rod total		
256	G00039005	E08459	1	Folding spring bolt		
257	G06822036	E08460	1	Drive lever pin		
258	G06834008	E08410	1	Brake rod total		
338	G00009024	E04519	4	Self-tapping screw (3 Stk.)		



AS 799 Rider – ET documentation – Drive lever from serial No. 026614100008

Pos	Art-Nr.	E-Nr.	Menge	Beschreibung	Modell	Info
30	G00007042	E06037	3	Selflocking nut with serrated bearing (3		
38	G07839008	E01953	1	Hex nut (10 Stk.)		
116	G07838026	E03932	1	Hexagon screw (10 Stk.)		
131	G00009085	E06761	1	Hexagon screw		
136	G00009016	E04631	1	Hexagon screw with serration (5 Stk.)		
183	G07830031	E07211	1	Deep groove ball bearing		
208	G07861006	E07940	2	Disc		
221	G00028039	E08448	1	Friction bearing		
226	G06822031	E08449	1	Bearing washer		
228	G07847036	E05984	2	Shim (10 Stk.)		
235	G06822022	E08414	1	Lever shaft		
236	G00019050	E03076	1	Slide washer (2 Stk.)		
237	G06822021	E08413	1	Drive lever left		
238	G06822033	E08455	1	Bearing flange		
239	G07830003	E02104	1	Deep groove ball bearing		
241	G07856006	E03319	4	Disc spring (10 Stk.)		
242	G00007044	E06130	2	Hex nut		
243	G00010084	E03710	1	Disc (10 Stk.)		
244	G06822034	E08412	1	Drive lever total		
245	G00002040	E06475	1	Draw spring		
246	G07847011	E03134	1	Shim (10 Stk.)		
247	G00028008	E06538	3	DU bush		
248	G07822002	E02650	1	Circlip for shaft (5 Stk.)		
249	G07917003	E08456	1	Spherical button		
251	G07838027	E03933	1	Hexagon screw (10 Stk.)		
252	G07906002	E06667	1	Self-locking hex nut (10 Stk.)		
253	G00007025	E03706	1	Special nut (10 Stk.)		
254	G07837025	E04227	1	Hexagon screw		
255	G06822014	E08409	1	Drive rod total		
256	G00039005	E08459	1	Folding spring bolt		
257	G06822036	E08460	1	Drive lever pin		
258	G06834008	E08410	1	Brake rod total		
338	G00009024	E04519	4	Self-tapping screw (3 Stk.)		
362	G06834009	E13160	1	Brake bracket		

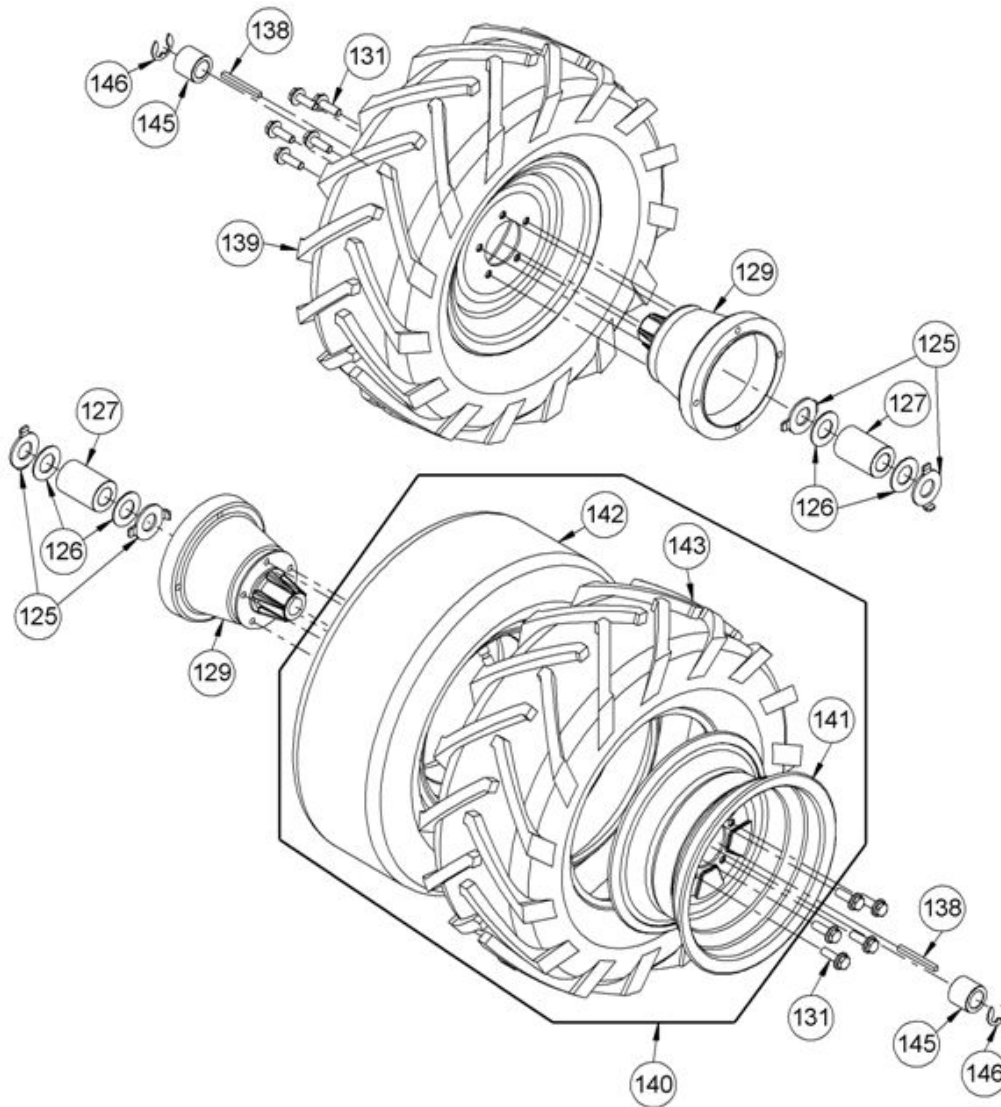
AS 800 / AS 799 Verstellung der Schnitthöhe



AS 799 Rider – ET documentation – Adjustment of cutting height

Pos	Art-Nr.	E-Nr.	Menge	Beschreibung	Modell	Info
30	G00007042	E06037	6	Selflocking nut with serrated bearing (3		
38	G07839008	E01953	4	Hex nut (10 Stk.)		
42	G07822012	E07552	1	Circlip for shaft (2 Stk.)		
64	G07809004	E01905	2	Disc (20 Stk.)		
111	G00009108	E08177	4	Hexagon screw with serration (3 Stk.)		
112	G00010133	E12385	4	Disc		
116	G07838026	E03932	4	Hexagon screw (10 Stk.)		
157	G00028027	E06473	1	DU bush		
163	G06525054	E07158	1	Tension lever bearing		
202	G06822002	E08421	2	Lifting arm total		
203	G00028031	E07222	4	Friction bearing		
204	G06822028	E08442	1	Lifter lever holder total		
205	G06822025	E08436	1	Lifter lever holder		
206	G06822027	E08443	1	Deflection lever total		
207	G00010109	E08394	1	Mudguard washer (5 Stk.)		
208	G07861006	E07940	7	Disc		
209	G06522316	E07160	4	Bar bolt		
210	G07837015	E03777	4	Hexagon screw (5 Stk.)		
211	G06822024	E08428	1	Lifter brace		
212	G06822010	E08407	1	Retractable axle total		
213	G06822030	E08447	1	Height adjustment lever total		
214	G06822023	E08522	1	Height adjustment lever		
215	G00008116	E08523	1	Lever cover		
216	G06526002	E06726	1	Connection nut		
217	G07838019	E03886	1	Hexagon screw (10 Stk.)		
218	G07833028	E08446	1	Hexagon socket head cap screw		
219	G00028038	E08445	2	Friction bearing with collar		
220	G06822029	E08444	1	Adjusting lever pin		
221	G00028039	E08448	2	Friction bearing		
222	G06822012	E08408	1	Replaced by G06922034		
222	G06922034	E11613	1	Lifter rod total		
223	G07839022	E08282	2	Hex nut		
232	G06822004	E08400	2	Lifting rod total		
233	G00039004	E08467	4	Folding spring bolt		

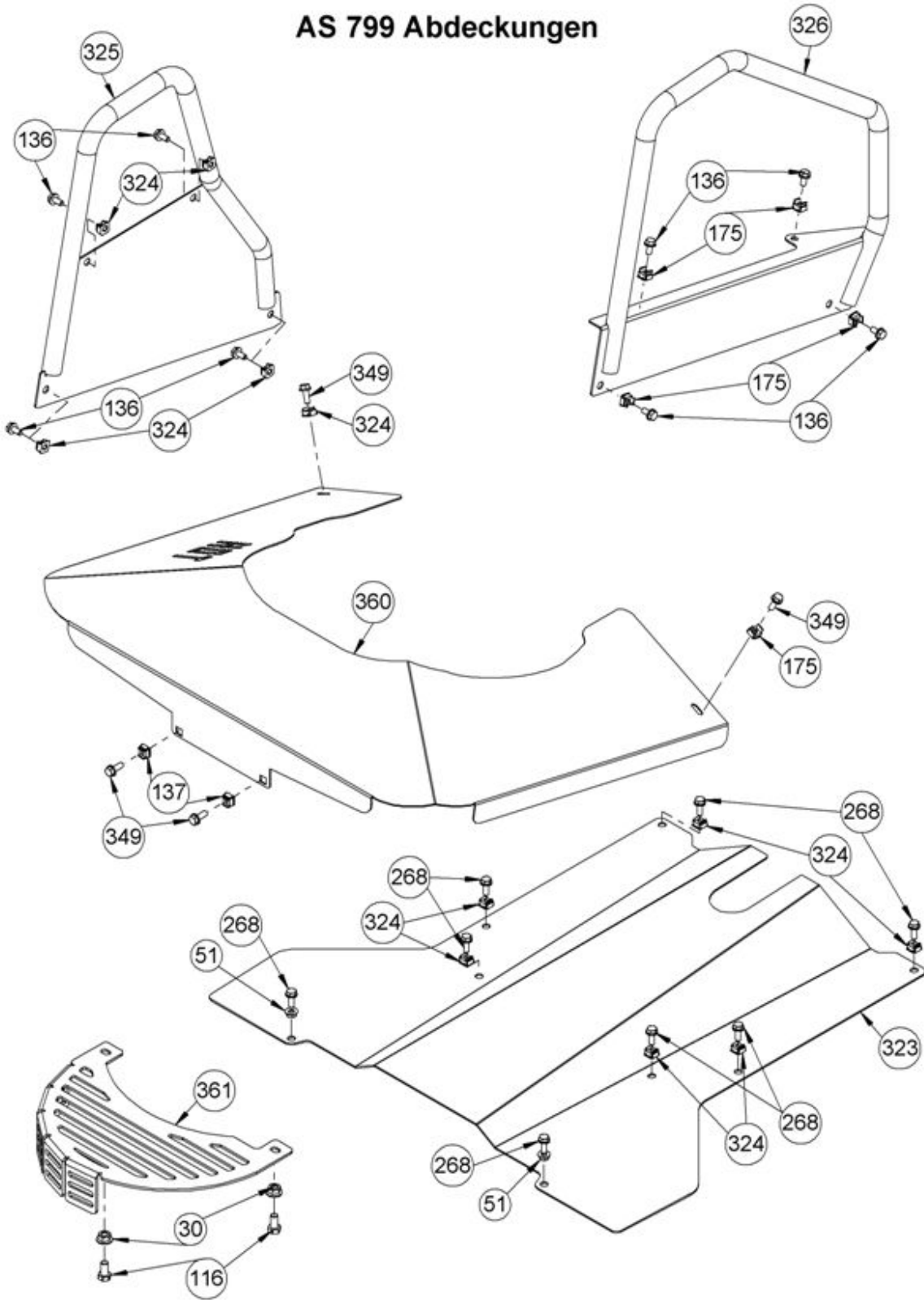
AS 799 Räder mit Radnaben



AS 799 Rider – ET documentation – Wheels with wheel boss

Pos	Art-Nr.	E-Nr.	Menge	Beschreibung	Modell	Info
125	G06721003	E07700	4	Thrust washer		
126	G00010105	E07873	4	Thrust washer		
127	G06821004	E08439	2	Wheel sleeve		
129	G06721002	E07266	2	Wheel hub		
131	G00009085	E06761	10	Hexagon screw		
138	G07865015	E07267	2	Feather key (2 Stk.)		
139	G06521011	E06458	1	Wide tyre left 16X6.50-8		
140	G06521010	E06457	1	Wide tyre right 16X6.50-8		
141	G06550014	E08029	2	Rim for wide tyre		
142	G06521014	E06570	2	Tube for wide wheels		
143	G06550012	E07684	2	Cover for wide tyre		
145	G06821005	E08440	2	Wheel ring		
146	G07864009	E08441	2	Lock washer (3 Stk.)		

AS 799 Abdeckungen



AS 799 Rider – ET documentation – Covers

Pos	Art-Nr.	E-Nr.	Menge	Beschreibung	Modell	Info
30	G00007042	E06037	2	Selflocking nut with serrated bearing (3		
51	G00007041	E05975	2	Selflocking nut with serrated bearing (3		
116	G07838026	E03932	2	Hexagon screw (10 Stk.)		
136	G00009016	E04631	8	Hexagon screw with serration (5 Stk.)		
137	G00007055	E08289	2	Box nut (5 Stk.)		
175	G00007057	E08437	5	Box nut (5 Stk.)		
268	G00009094	E07247	8	Locking screw (2 Stk.)		
323	G06820014	E08462	1	Base plate		
324	G00007046	E06672	9	Box nut (2 Stk.)		
325	G06826011	E08435	1	Side cover left total		
326	G06826010	E08434	1	Side cover right total		
349	G07913004	E10189	2	Hexagon screw with flange		
360	G06826027	E13090	1	Engine cover		
361	G06826026	E13089	1	Access protection		



1

Pos.Nr.	ET-Nr.	Benennung
1	E12756	Aufkleber - Set AS 800 / AS 799

AS 799 Rider – ET documentation – Instruction plate – set to serial No. 026614100007

Pos	Art-Nr.	E-Nr.	Menge	Beschreibung	Modell	Info
1	G06880007	E12756	1	Instruction plate - set AS 800		